

A

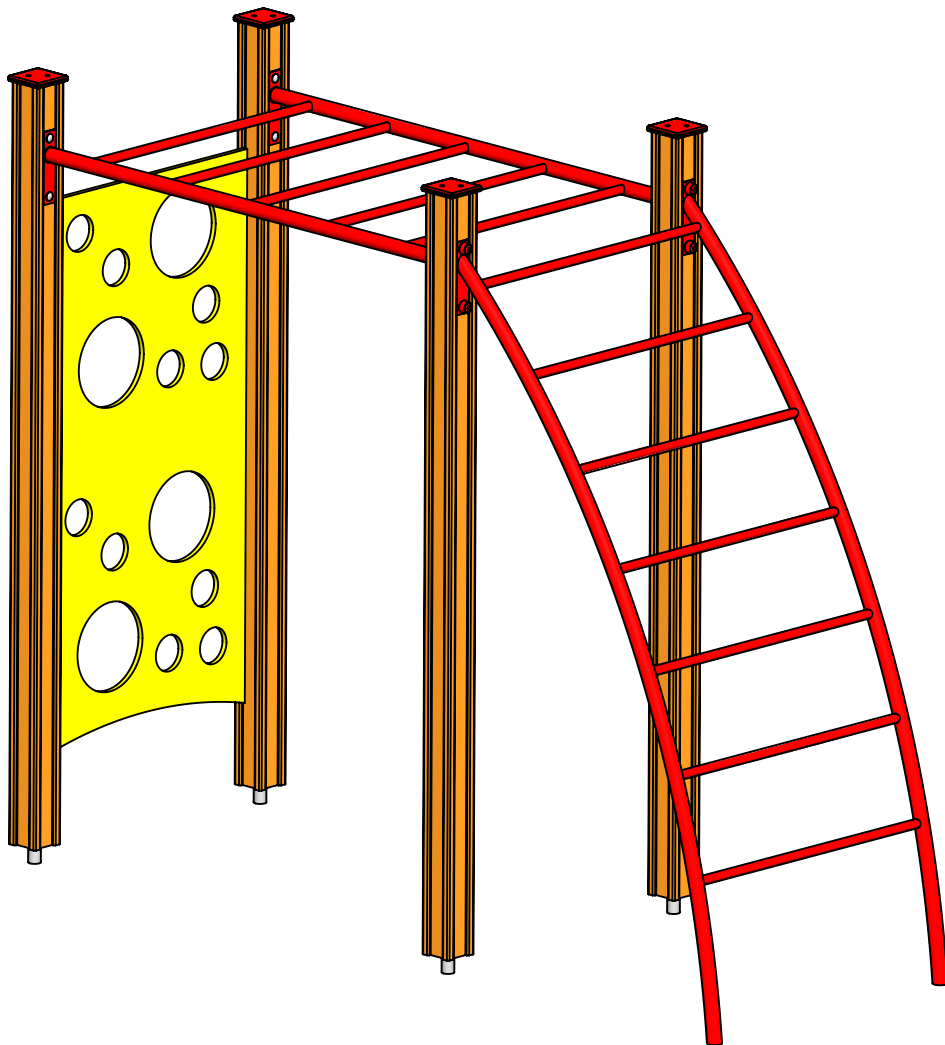
B

C

D

E

F



UNLESS OTHERWISE SPECIFIED:
 DIMENSIONS ARE IN MILLIMETERS
 WEIGHT ARE IN KILOGRAMM

PART NUMBER / DWG NO.:

RS106

	NAME	SIGNATURE	DATE	REVISION
DRAWN	M.Rebase		23.09.2013	
APPV'D				

DESCRIPTION:

Climbing frame MICE



Tiptaptap OÜ

Tiptaptap OÜ
 Veetorni 9,
 Jüri alevik, Rae vald,
 75301 Harjumaa

MATERIAL:

wood, metal, plastic

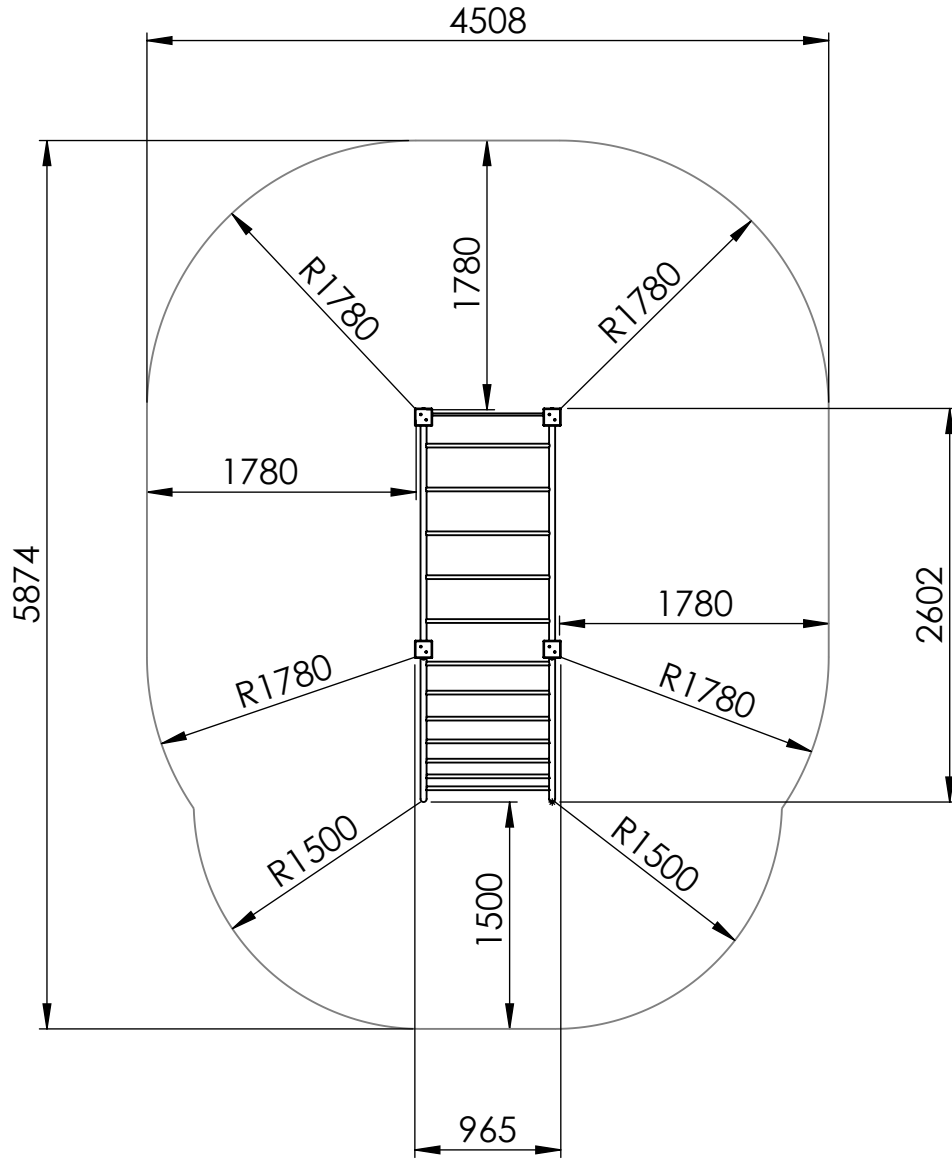
A4

WEIGHT:

SCALE: 1:20

SHEET 1 OF 8

safety area



depth of foundation 500mm

UNLESS OTHERWISE SPECIFIED:
DIMENSIONS ARE IN MILLIMETERS
WEIGHT ARE IN KILOGRAMM

PART NUMBER / DWG NO.:

RS106

	NAME	SIGNATURE	DATE	REVISION
DRAWN	M.Rebase		23.09.2013	
APPV'D				

DESCRIPTION:

Climbing frame MICE



Tiptap OÜ

Tiptap OÜ
Veetorni 9,
Jüri alevik, Rae vald,
75301 Harjumaa

MATERIAL:

wood, metal, plastic

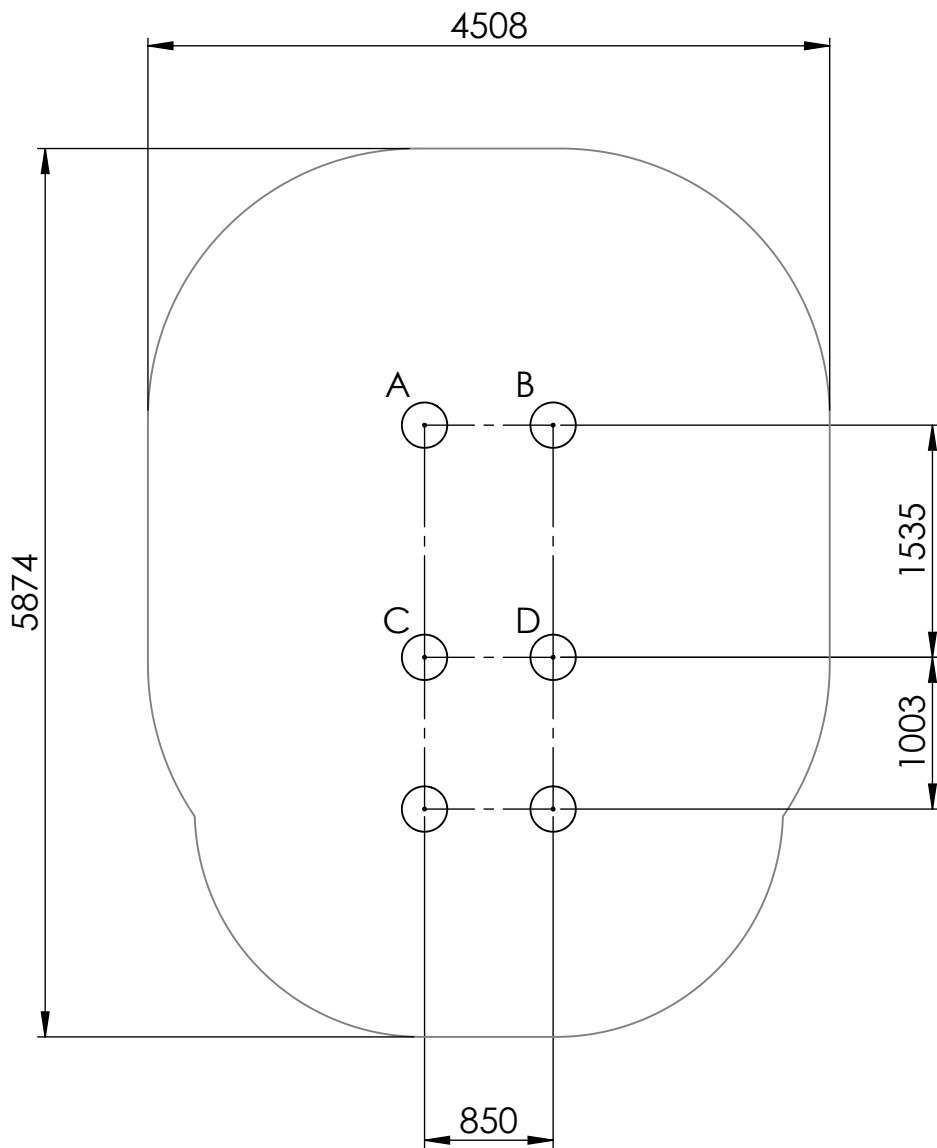
A4

WEIGHT:

SCALE: 1:20

SHEET 2 OF 8

foundation



UNLESS OTHERWISE SPECIFIED:
DIMENSIONS ARE IN MILLIMETERS
WEIGHT ARE IN KILOGRAMM

PART NUMBER / DWG NO.:

RS106

	NAME	SIGNATURE	DATE	REVISION
DRAWN	M.Rebase		23.09.2013	
APPV'D				

DESCRIPTION:

Climbing frame MICE



Tiptaptap OÜ

Tiptaptap OÜ
Veetorni 9,
Jüri alevik, Rae vald,
75301 Harjumaa

MATERIAL:

wood, metal, plastic

A4

WEIGHT:

SCALE: 1:20

SHEET 3 OF 8

A

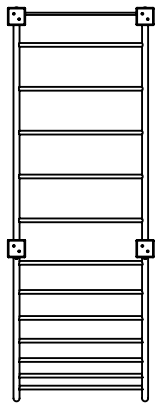
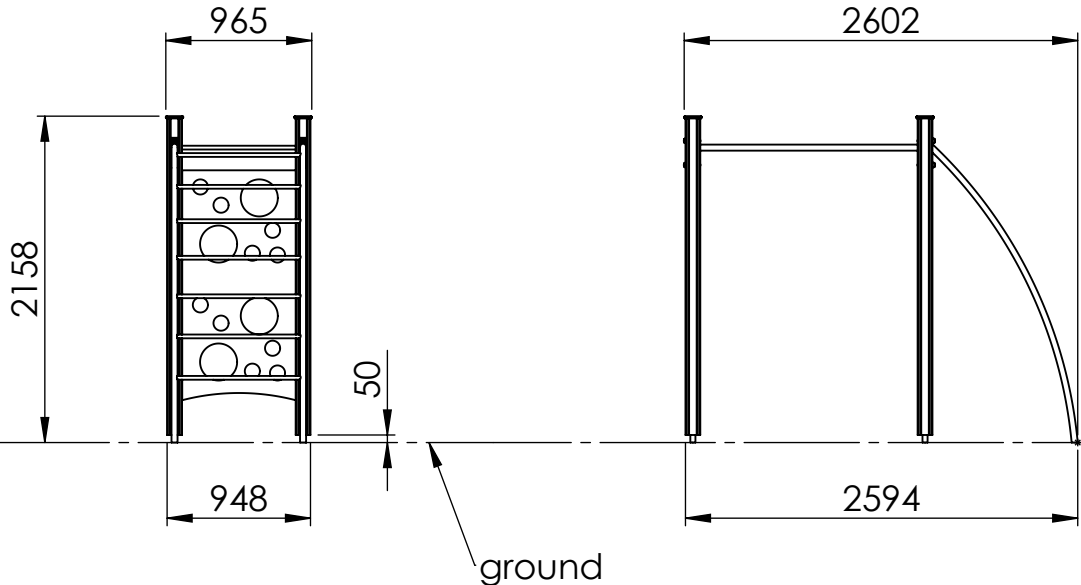
B

C

D

E

F



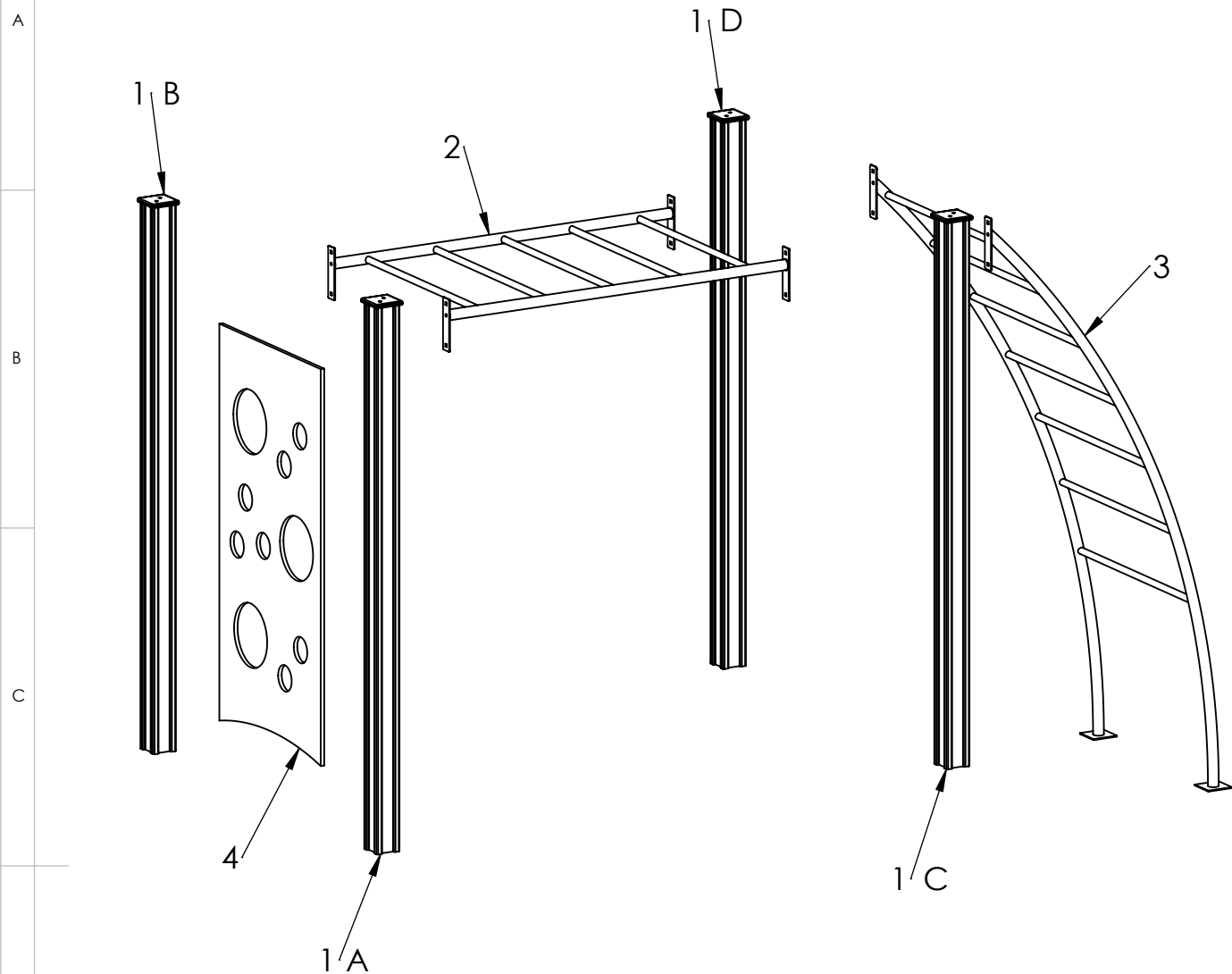
UNLESS OTHERWISE SPECIFIED: DIMENSIONS ARE IN MILLIMETERS WEIGHT ARE IN KILOGRAMM				
	NAME	SIGNATURE	DATE	REVISION
DRAWN	M.Rebase		23.09.2013	
APPV'D				

PART NUMBER / DWG NO.:	RS106
DESCRIPTION:	Climbing frame MICE



Tiptaptap OÜ
Veetorni 9,
Jüri alevik, Rae vald,
75301 Harjumaa

MATERIAL:	wood, metal, plastic	A4
WEIGHT:	SCALE: 1:20	SHEET 4 OF 8



ITEM NO.	PART NUMBER	DESCRIPTION	QTY.
1	post 98x98x2100	laminated wood	4
2	ladder_horizontal	painted steel	1
3	arch ladder	painted steel	1
4	climbing wall 750x1520	plywood	1

UNLESS OTHERWISE SPECIFIED:
DIMENSIONS ARE IN MILLIMETERS
WEIGHT ARE IN KILOGRAMM

PART NUMBER / DWG NO.:

RS106

	NAME	SIGNATURE	DATE	REVISION
DRAWN	M.Rebase		23.09.2013	
APPV'D				

DESCRIPTION:

Climbing frame MICE

MATERIAL:

wood, metal, plastic

A4

WEIGHT:

SCALE: 1:25

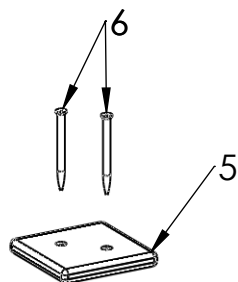
SHEET 5 OF 8



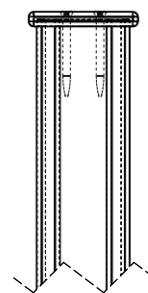
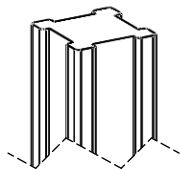
Tiptaptap OÜ

Tiptaptap OÜ
Veetorni 9,
Jüri alevik, Rae vald,
75301 Harjumaa

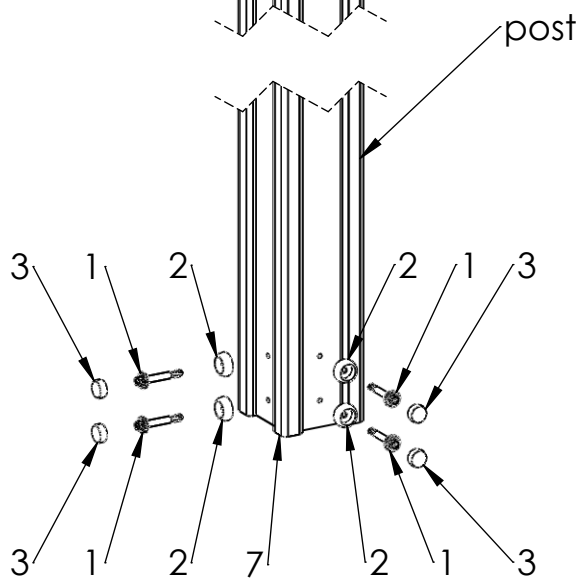
A



B



C



ground

concrete

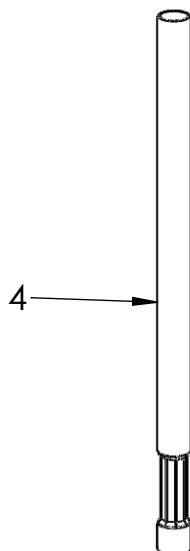
50

200

455

500

D


 $\varnothing 300$

E

ITEM NO.	PART NUMBER
1	screw DIN7504K 5,5x50
2	nut cover M6
3	nut cover cap M6
4	metal ground fixing L_600
5	plastic cap 115x115
6	Woodscrew 6 x 90

UNLESS OTHERWISE SPECIFIED:
DIMENSIONS ARE IN MILLIMETERS
WEIGHT ARE IN KILOGRAMM

PART NUMBER / DWG NO.:

RS106

	NAME	SIGNATURE	DATE	REVISION
DRAWN	M.Rebase		23.09.2013	
APPV'D				

DESCRIPTION:

Climbing frame MICE
connecting metal ground fixing to post

F



Tiptaptap OÜ

Tiptaptap OÜ
Veetorni 9,
Jüri alevik, Rae vald,
75301 Harjumaa

MATERIAL:

wood, metal, plastic

A4

WEIGHT:

SCALE: 1:8

SHEET 6 OF 8

A

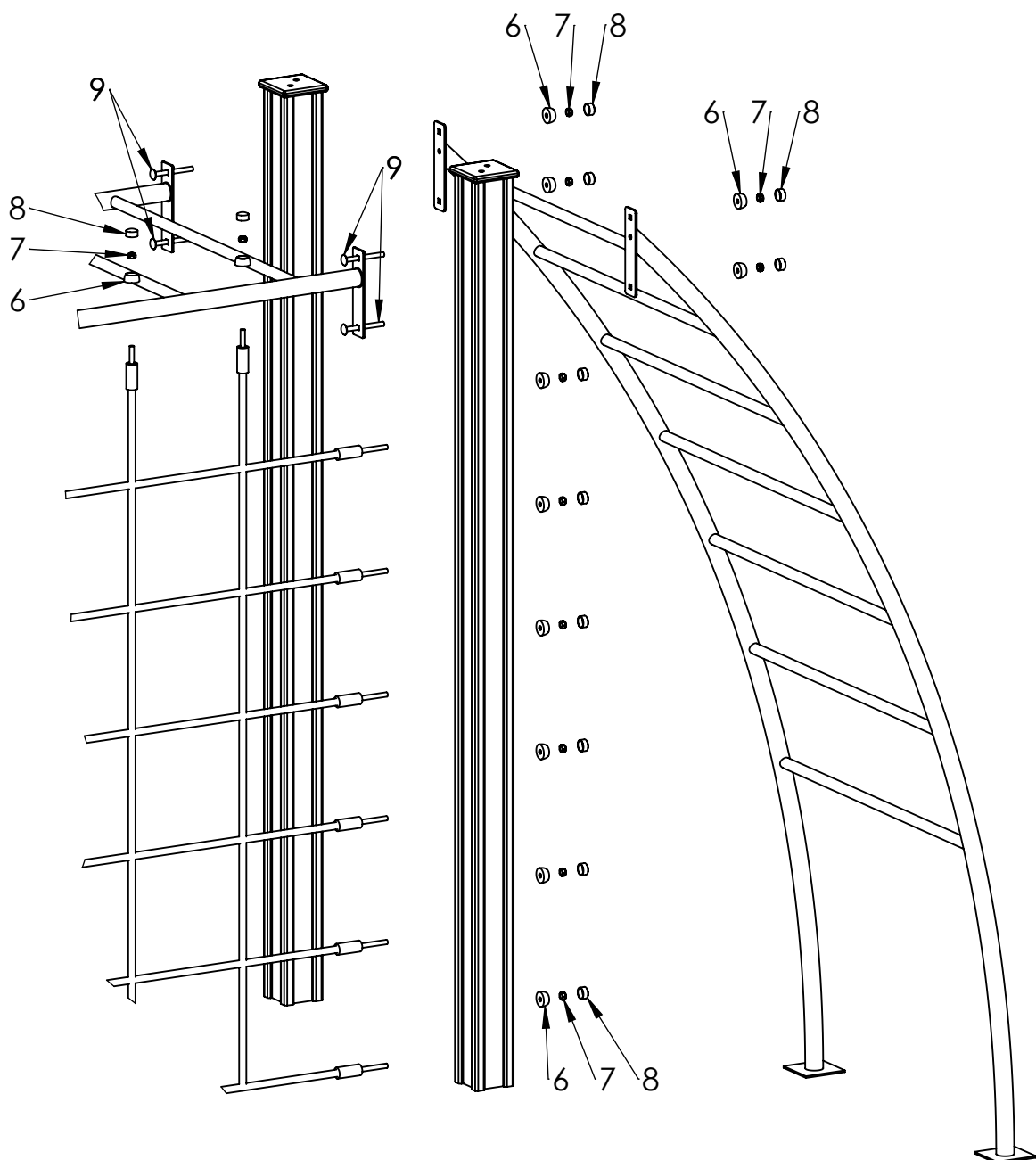
B

C

D

E

F



ITEM NO.	PART NUMBER
2	ladder_horizontal
3	ladder_vertical
4	climbing net
6	nut cover M10
7	nut DIN985 M10
8	nut cover cap M10
9	bolt DIN603 M10x100

UNLESS OTHERWISE SPECIFIED:
DIMENSIONS ARE IN MILLIMETERS
WEIGHT ARE IN KILOGRAMM

	NAME	SIGNATURE	DATE	REVISION
DRAWN	M.Rebase		23.09.2013	
APPV'D				

PART NUMBER / DWG NO.:

RS106

DESCRIPTION:

Climbing frame MICE
connecting climbing net and arch ladder

MATERIAL:

wood, metal, plastic

A4

WEIGHT:

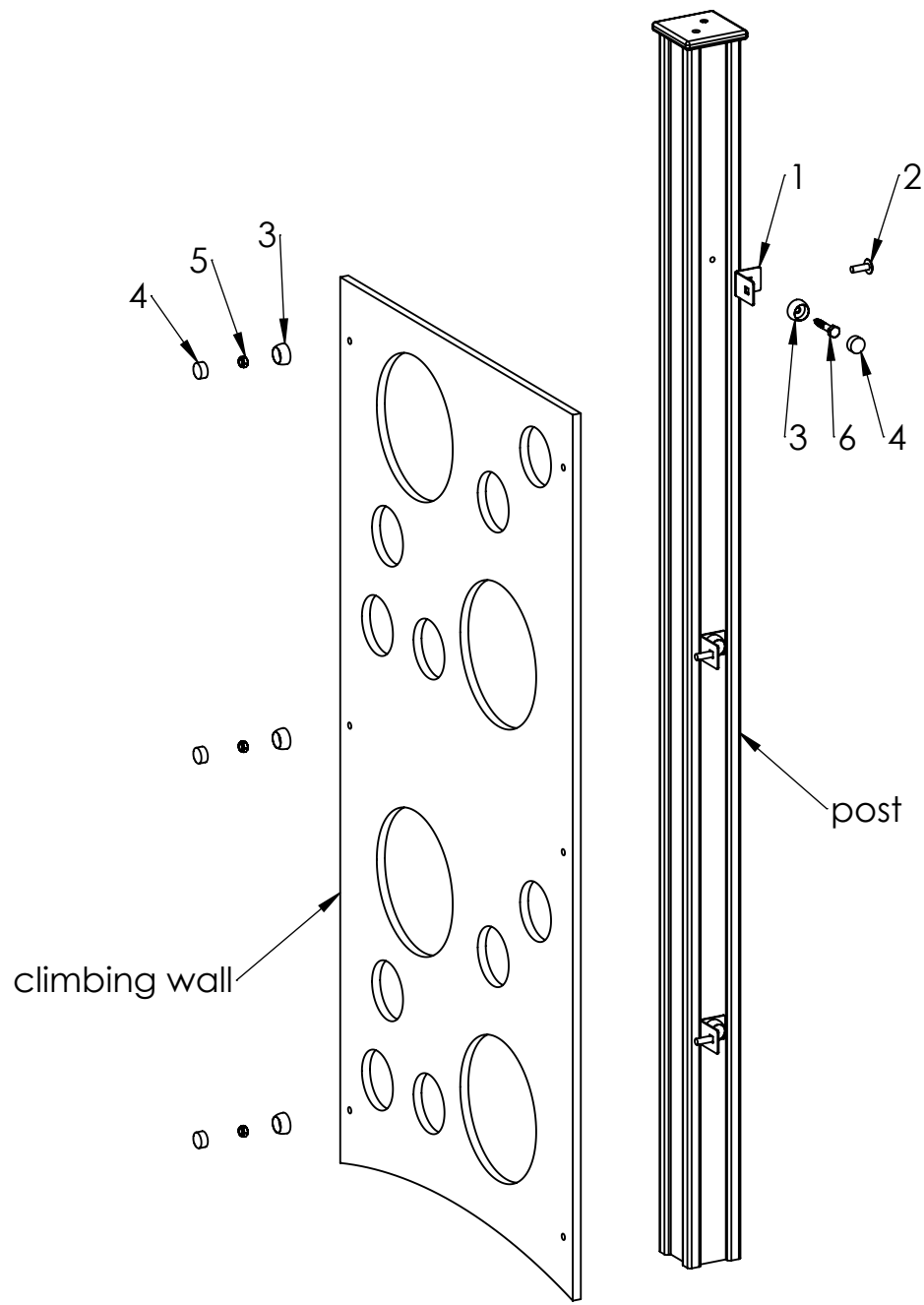
SCALE: 1:15

SHEET 7 OF 8



Tiptaptap OÜ

Tiptaptap OÜ
Veetorni 9,
Jüri alevik, Rae vald,
75301 Harjumaa



ITEM NO.	PART NUMBER
1	corner 48x60
2	bolt DIN603 M10x30
3	nut cover M10
4	nut cover cap M10
5	nut DIN985 M10
6	wood screw DIN571 10x60

UNLESS OTHERWISE SPECIFIED:
DIMENSIONS ARE IN MILLIMETERS
WEIGHT ARE IN KILOGRAMM

PART NUMBER / DWG NO.:

RS106

	NAME	SIGNATURE	DATE	REVISION
DRAWN	M.Rebase		23.09.2013	
APPV'D				

DESCRIPTION:

Climbing frame MICE
connecting climbing wall to post

MATERIAL:

wood, metal, plastic

A4

WEIGHT:

SCALE: 1:12

SHEET 8 OF 8



Tiptap OÜ

Tiptap OÜ
Veetorni 9,
Jüri alevik, Rae vald,
75301 Harjumaa