

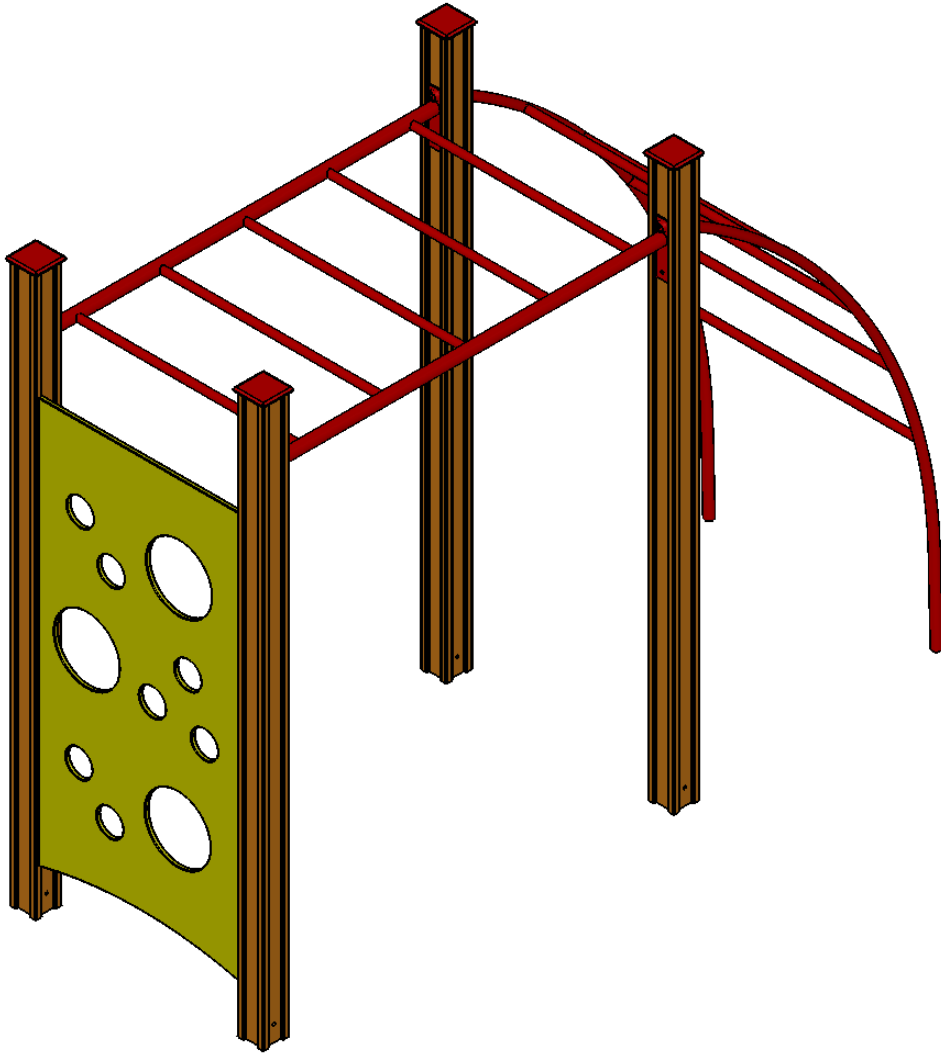
5

6

7

8

9



I B @GGC H: 9FK -G9 CD97 ÷ 98.  
 8 A 9BGC BG5F9 B A @A 9HFG  
 K 9< <H5F9 B ? @C : F5A A "

D5FHBI A 69F #8K : 'BC "

FG%\$\*

	B5A 9	G: B5H F9	85H9	F9J GCB
8F5K B	FUI "9XY"		% "S- "&\$%	
5DDJ B				

89G7 F-DHC B.

7 `]a V]b[ `Wc bgrfi W]c b`A ÷ 9



**Tiptaptap** OÜ

HdhdUd`Cy  
 JYYrcfb]-ž  
 >- f]UYj ]žFUYj U`Xž  
 +)' \$%<Uf† a UU

A 5HFF 5@

k ccXžd`mk ccXža YHU`žd`UghW

5(

K 9< <H'

G7 5 @. % ) \$

G< 99H% C : ,

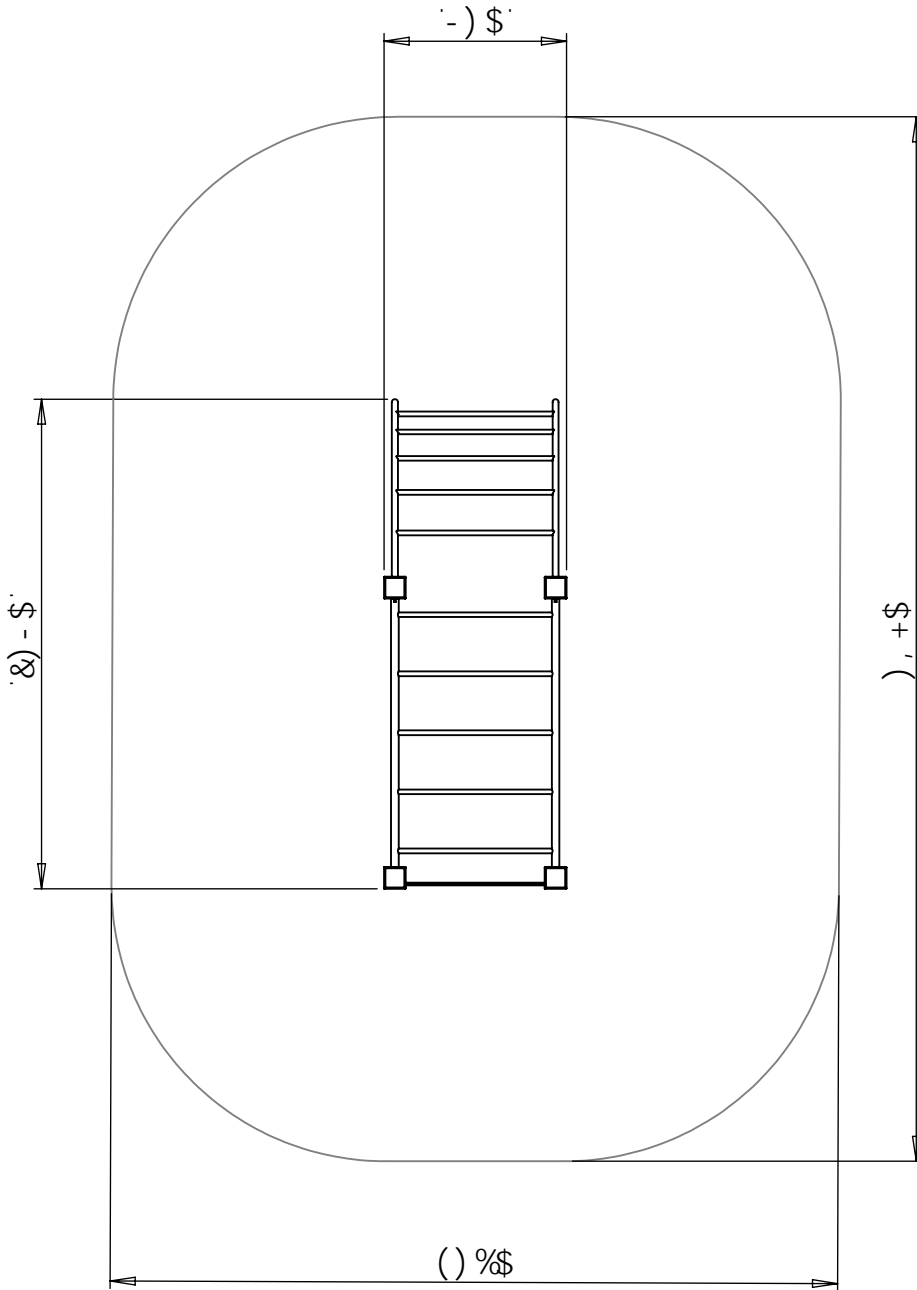
5

6

7

8

9



I B @GGC H: 9FK -G9 CD97 ÷ 98.  
 8 A 9BGC BG5F9 B A @A 9HFG  
 K 9< <H5F9 B ? <C; F5A A "

D5FHB I A 69F #8K; 'BC "

FG%\$\*

	B5A 9	G: B5H F9	85H9	F9J <GCB
8F5K B	FUI "9XY"		% "S- "&\$%	
5DDJ 8				

89G7 F-DHC B.

7 `]a V]b[ `Wc bgrfi W]c b`A ÷ 9



**Tiptiptap** <sup>ou</sup>

HdhdUd`C y  
 JYYrcfb]- ž  
 >- fjUYj ]žFUYj U`Xž  
 +)' \$%<Uf† a UU

A 5HPF 5@

k ccXžd`mk ccXža YHU žd`UghW

5(

K 9< <H`

G7 5@. %)\$

G<99H&C: ;

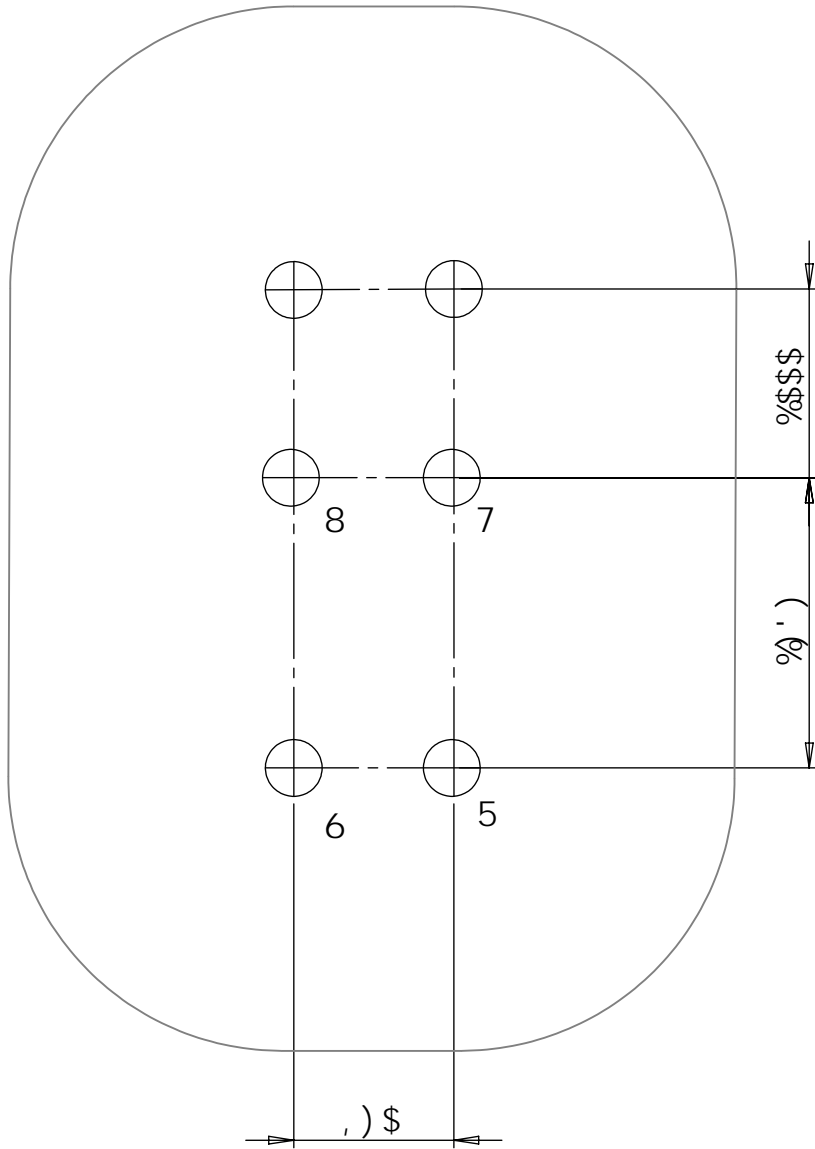
5

6

7

8

9



I B @GGC H: 9FK -G9 CD97 ÷ 98.  
 8 A 9BGC BG5F9 B A @A 9HFG  
 K 9< <H5F9 B ? @C : F5A A "

D5FHB I A 69F #8K : 'BC "

FG%\$\*

	B5A 9	G: B5H F9	85H9	F9J GCB
8F5K B	FUI "9XY"		% "\$- "&\$%	
5DDJ B				

89G7 F-DHC B.

7 `]a V]b[ `Wc bgrfi W]c b`A ÷ 9



**Tiptiptap** <sup>OU</sup>

HdhdUd`Cy  
 JYYrcfb]-ž  
 >- f]UYj ]žFUYj U`Xž  
 +)' \$%<Uf↑ a UU

A 5HPF 5@

k ccXžd`mk ccXža YHU`žd`UghW

5(

K 9< <H'

G7 5@.%) \$

G<99H' :C : ;

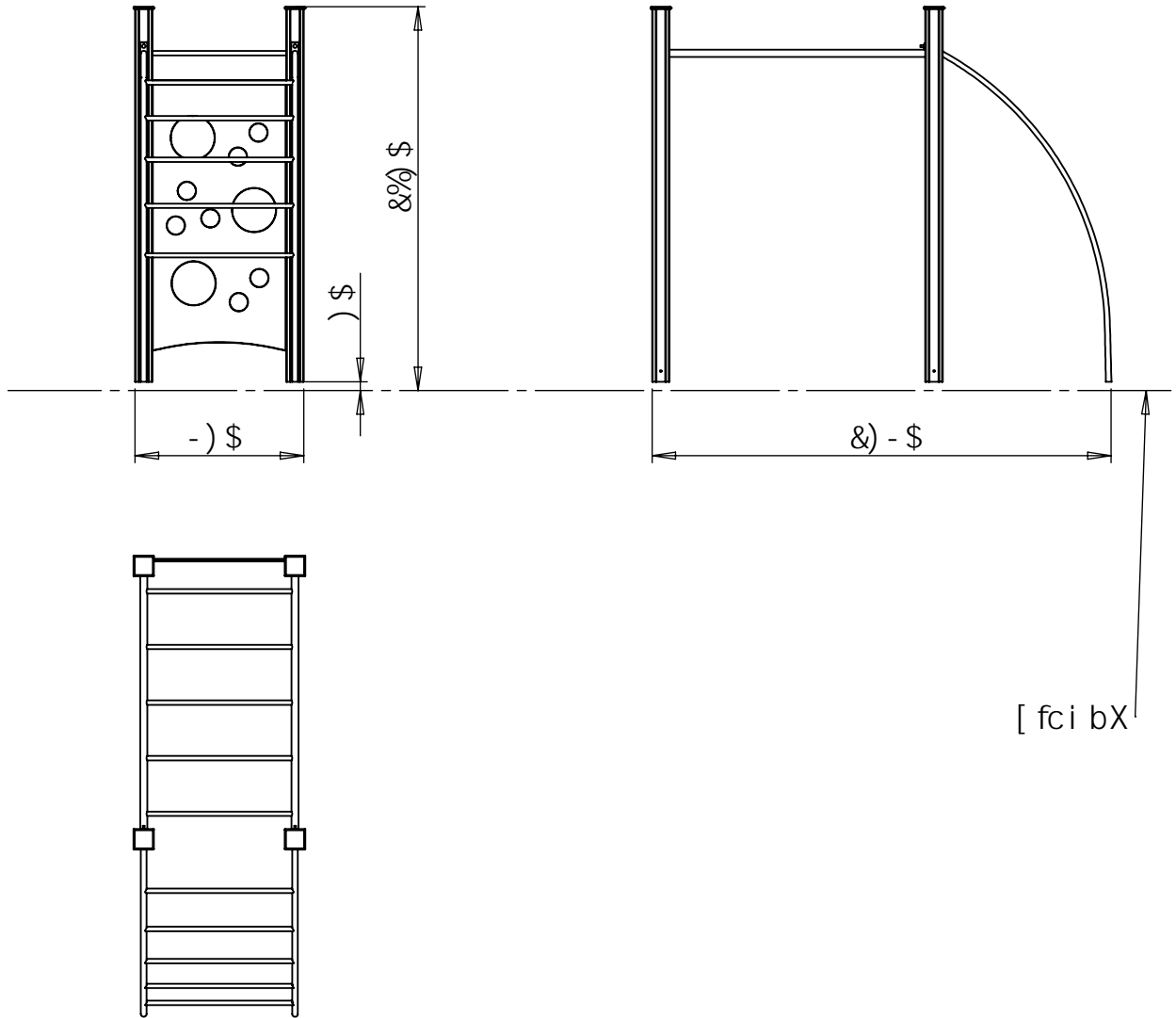
5

6

7

8

9



[ fci bX

I B @GGC H: 9FK -G9 CD97 ÷ 98.  
 8 A 9BGC BG5F9-B A @A 9HFG  
 K 9< <H5F9-B ? @C; F5A A "

D5FHBI A 69F #8K; 'BC".

FG%\$\*

	B5A 9	G: B5H F9	85H9	F9J -GCB
8F5K B	FUI "9XY"		% "S- "&\$%	
5DDJ B				

89G7 F-DHC B.

7 ]a V]b[ 'Wc bgrfi W]c b'A ÷ 9



Tiptiptap

HdhdUd`Cy  
 JYYrcfb]- Ž  
 >- f]UYj ]žFUY`j U`Xž  
 +' \$%<Uf† a UU

A 5HFF-5@

K ccXžd`mk ccXža YHU`žd`Ugh]W

5(

K 9< <H'

G7 5@.%) \$

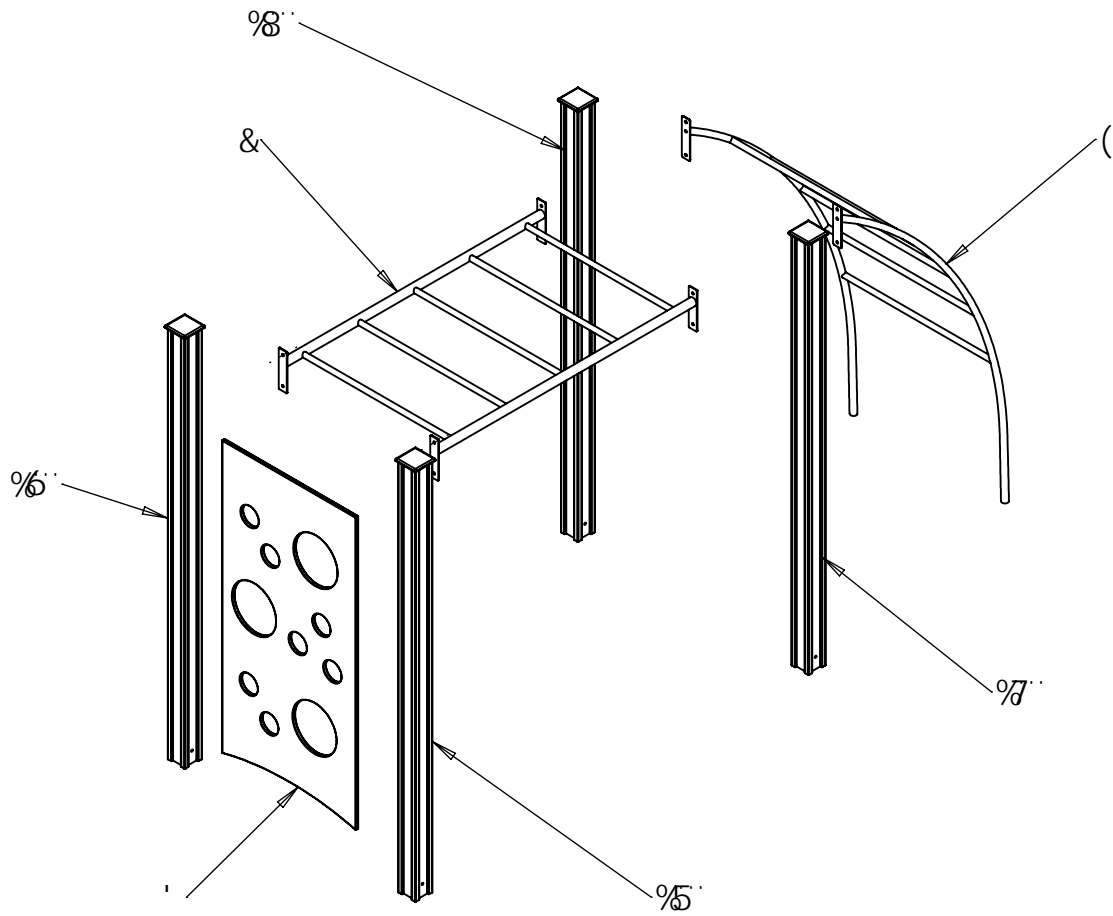
G<99H(: ;

5

6

7

8



9

#9A 'BC "	D5FHBI A 69F	E HM
%''	dcgh-, l-, l & % \$ \$ f7 Ł	(
&	`UXXYfS\c flgc bHJ`	%
'	W]a V]b[ `k U''' +) \$! % & \$	%
(	`YXXYfSUfM YX	%
%%	D@	(

I B @GGC H: 9FK -G9GD97 = 98. 8 A 9BGC BG5F9 B A @A 9HFG K 9= <H5F9 B ? @C : F5A A "			
B5A 9	G= B5H F9	85H9	F9J -GC B
8F5K B	FUI "9XY"	% "S- "&\$%	
5DDJ B			

D5FHBI A 69F #8K : 'BC "	FG%\$*
89G7 F-DHC B.	7 ]a V]b[ `Wc bgrfi W]c b`A = 9

<p><b>Tiptiptap</b> <sup>OU</sup></p> <p>HdhdHd`C y JYYrcfb]- ž &gt;- f]U'Yj ]žFU'j U'Xž +)' \$%&lt;Uf† a UU</p>	A 5HFF 5@	k ccXžd`mk ccXža YHU`žd`UghW	5(
	K 9= <H'	G7 5@9.% \$	G<99H) : C : ;

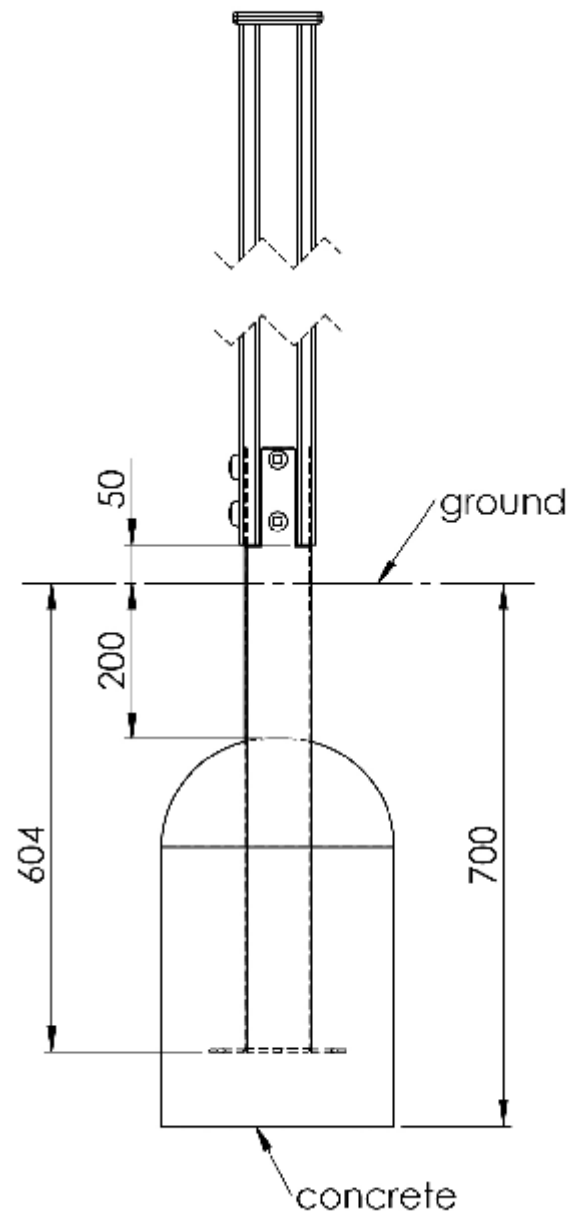
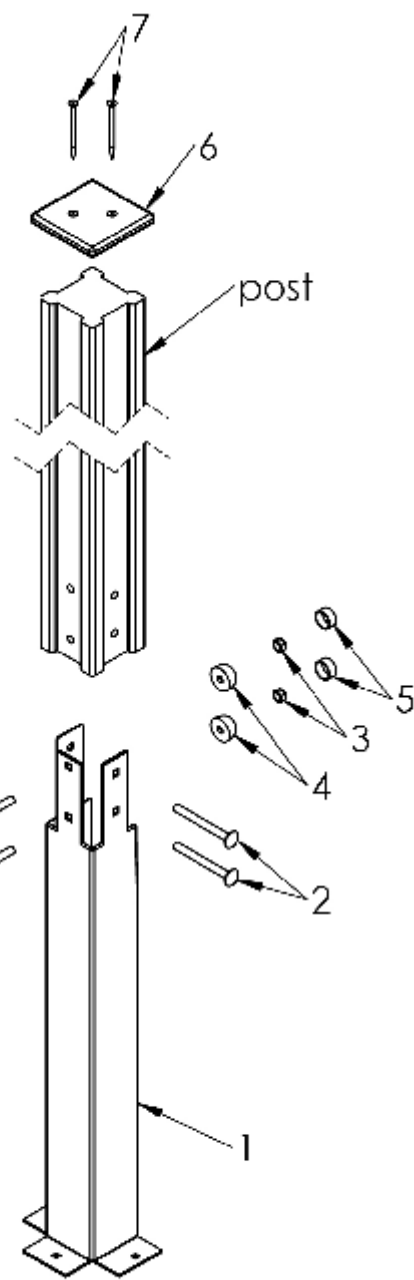
5

6

7

8

9



ITEM NO.	PART NUMBER
1	ground fixture
2	bolt DIN603 M10x100
3	nut DIN985 M10
4	nut cover M10
5	nut cover cap M10
6	plastic cap 115x115
7	Woodscrew 6 x 90

I B @GGC H: 9FK -69 CD97 ÷ 98.  
 8 A 9BGC BG5F9-B A @A 9HFG  
 K 9< <H5F9-B ? @C : F5A A "

D5FHBI A 69F #8K : 'BC "

FG%\$\*

	B5A 9	G: B5H F9	85H9	F9J 4GC B
8F5K B	FUI "9XY"		%%\$"&S%\$	
5DDJ B				

89G7 F-DHC B.

7 `|a V|b[ `Wc bgrfi W|c b`A ÷ 9  
 WcbbYV|b[ `a YHJ [ fci bX`Z| ]b[ `rc `dcgh



**Tiptiptap** OÜ

HdhdHd`C y  
 J YYrc fb]- ž  
 > f|U`Yj ]žFUY`j U`Xž  
 +)' \$%<Uf† a UU

A 5HF5@

k ccXžd`mk ccXža YHJ`žd`UghW

5(

K 9< <H`

G7 5@. %.

G<99H`C : ;

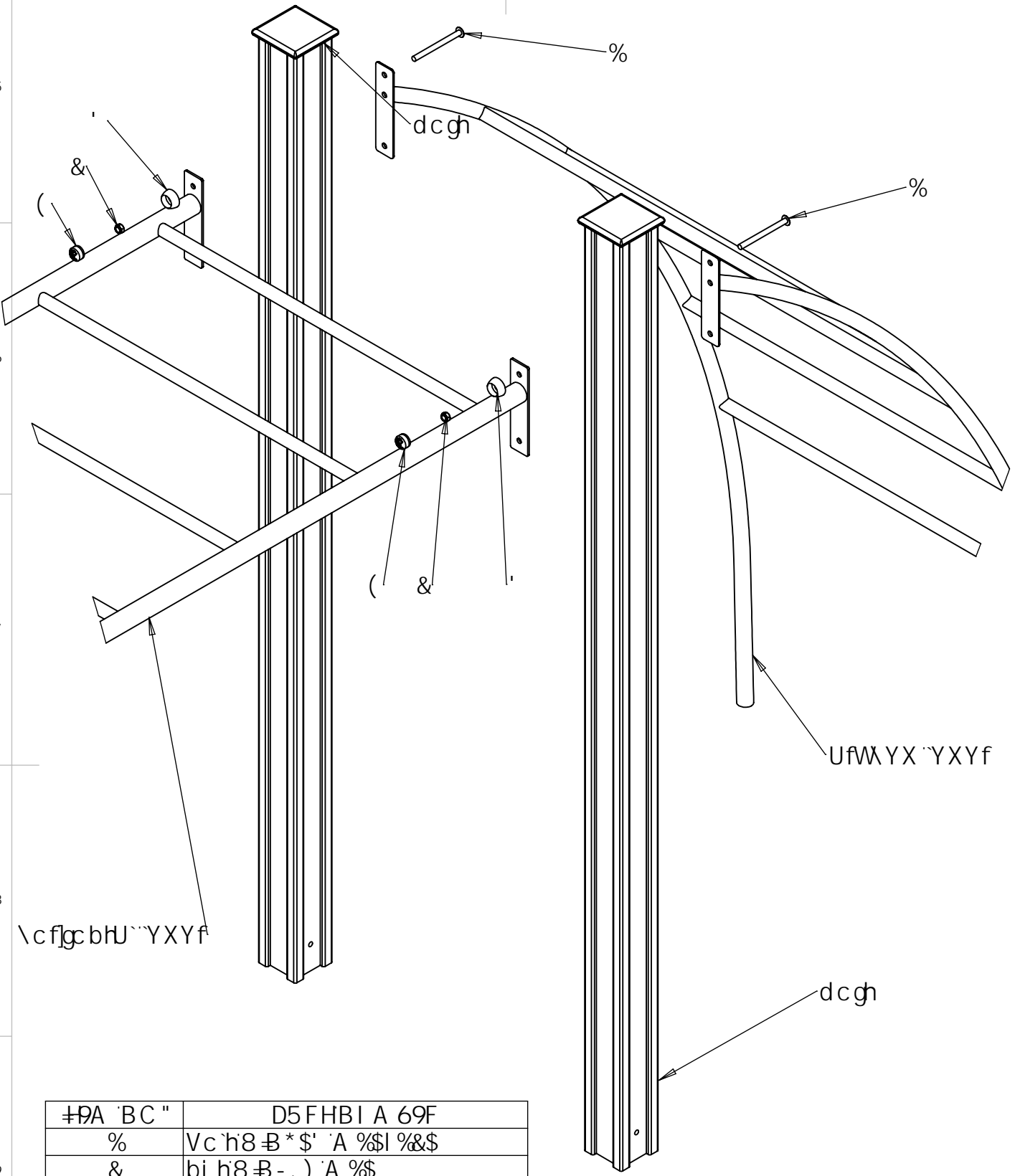
5

6

7

8


9



#9A`BC"	D5FHBI A 69F
%	Vc`h8-B*\$`A%\$!%&\$
&	bi`h8-B-,)A%\$
'	bi`h`Wcj`Yf`A%\$
(	bi`h`Wcj`Yf`WUd`A%\$
%%	D@

I B @GGC H: 9FK -69 097 = 98. 8 A 9BGC BG5F9`B`A @9A 9HFG K 9= <H5F9`B`?`@C: F5A A`				
	B5A 9	G= B5H F9	85H9	F9J 6CB
8F5K B	FUI`9XY`		%`\$-`&\$%	
5DDJ B				

D5FHBI A 69F`#8K: `BC`.	FG%\$*
89G7 F`DHC B.	7`]a V]b[ `Wc`bgfi`W]c`b`A`= 9



**Tiptiptap** <sup>ou</sup>

H`d`h`d`Ud`C`y  
J`Y`Y`h`c`f`b`]-`Z  
>`f`j`U`Y`j`l`Z`F`U`Y`j`U`X`z  
+`)'`\$`%`<`U`f`a`U`U

A 5H9F`5@`  
k`cc`X`z`d`m`k`cc`X`z`a`Y`H`z`d`U`g`h`W

5(

K 9= <H`	G7 5@9.`\$	G<99H+:`C`:
----------	------------	-------------

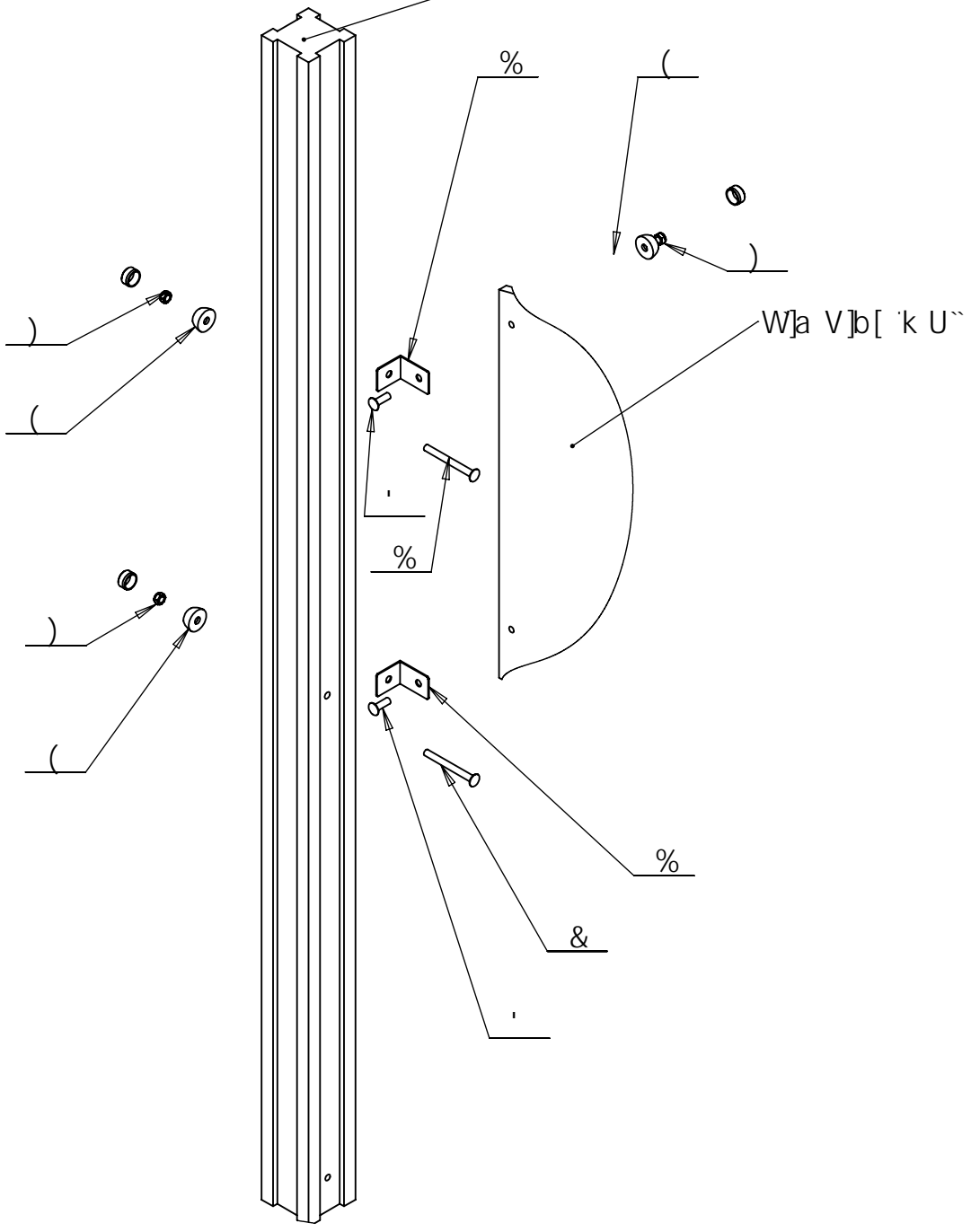
5

dcgh

6

7

8



9

#9A "BC	#9A 'B5A 9
%	Wc`fbYf'(, I *\$I (\$
&	Vc`h8-B`*\$' 'A %\$I %\$\$
'	Vc`h8-B`*\$' 'A %\$I' \$
(	bi hWc`j Yfk ]h`WUd`A %\$
)	bi h8-B`-, ) BMc 7`A %\$

I B@GGC H: 9FK -G9 0D97 = 98. 8 A 9BGC BG5F9-B A @A 9HFG K 9= <H5F9-B ?@C; F5A A "			
B5A 9	G= B5H F9	85H9	F9J GCB
8F5K B	FUI "9XY"	% "\$- "&\$%	
5DDJ B			

D5FHB1 A 69F #8K; 'BC "	FG%\$*
89G7 F-DHC B.	7 `]a V]b[ `Wc`bgrfi W]c`b`A = 9



**Tiptiptap** <sup>ou</sup>

Hdh`dUd`C y  
J YYrc`fb]- ž  
> f]U`Yj ]žFUy`j U`Xž  
+)' \$%<Uf† a UU

A 5HPF 5@	k ccXžd`mk ccXža YHU`žd`Ugh]W	5(
K 9= <H'	G7 5@9.%)\$	G<99H, :C ;