

A

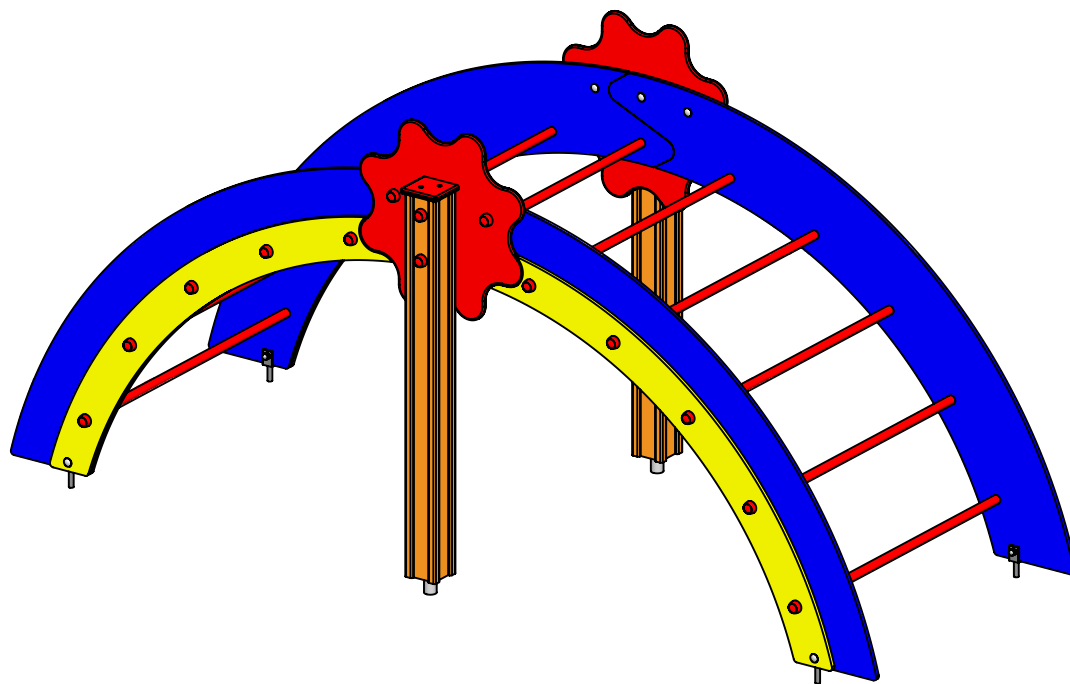
B

C

D

E

F



UNLESS OTHERWISE SPECIFIED:
DIMENSIONS ARE IN MILLIMETERS
WEIGHT ARE IN KILOGRAMM

PART NUMBER / DWG NO.:

RS105

	NAME	SIGNATURE	DATE	REVISION
DRAWN	M.Rebase		22.06.2015	
APPV'D				

DESCRIPTION:

Climbing frame RAINBOW



Tiptaptap OÜ

Tiptaptap OÜ
Veetorni 9,
Jüri alevik, Rae vald,
75301 Harjumaa

MATERIAL:

wood, metal, plastic

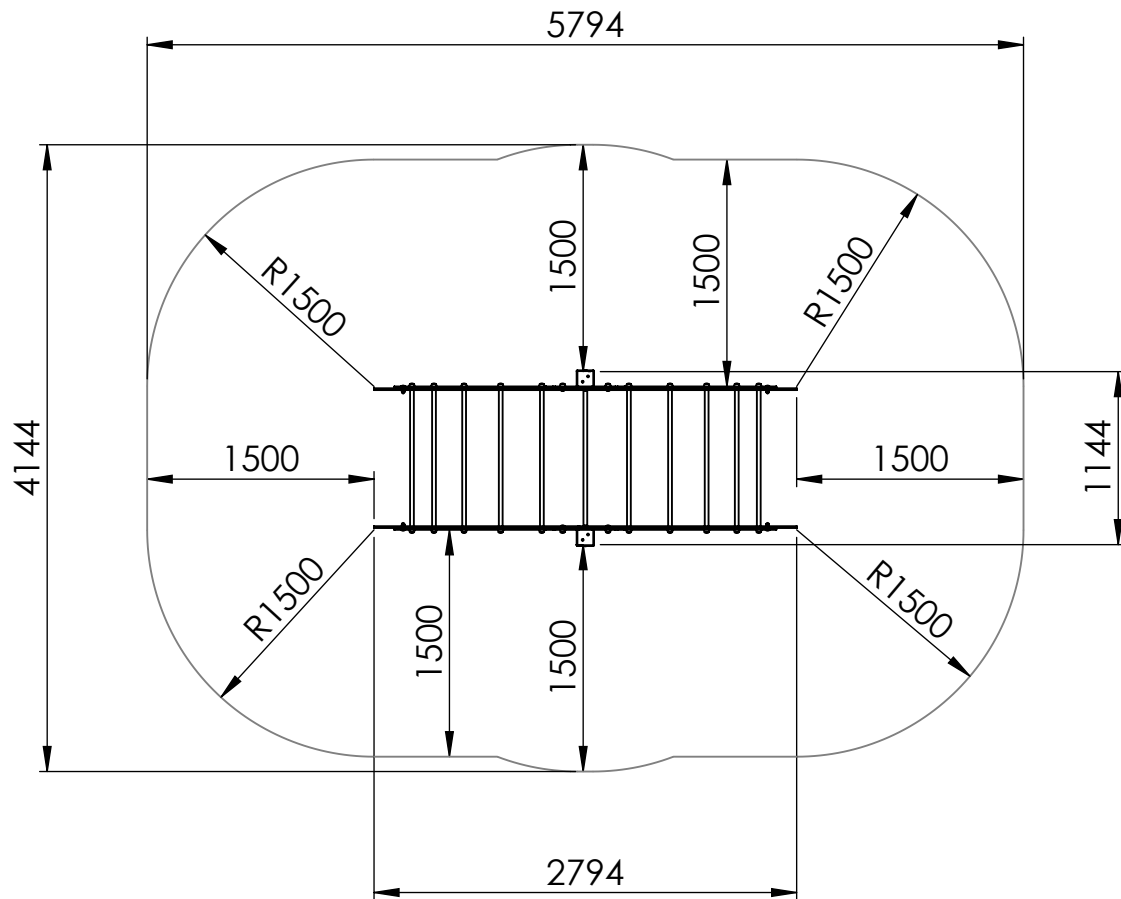
A4

WEIGHT:

SCALE: 1:20

SHEET 1 OF 7

safety area



UNLESS OTHERWISE SPECIFIED:
DIMENSIONS ARE IN MILLIMETERS
WEIGHT ARE IN KILOGRAMM

PART NUMBER / DWG NO.:

RS105

	NAME	SIGNATURE	DATE	REVISION
DRAWN	M.Rebase		22.06.2015	
APPV'D				

DESCRIPTION:

Climbing frame RAINBOW



Tiptaptap OÜ

Tiptaptap OÜ
Veetorni 9,
Jüri alevik, Rae vald,
75301 Harjumaa

MATERIAL:

wood, metal, plastic

A4

WEIGHT:

SCALE: 1:50

SHEET 2 OF 7

foundation

A

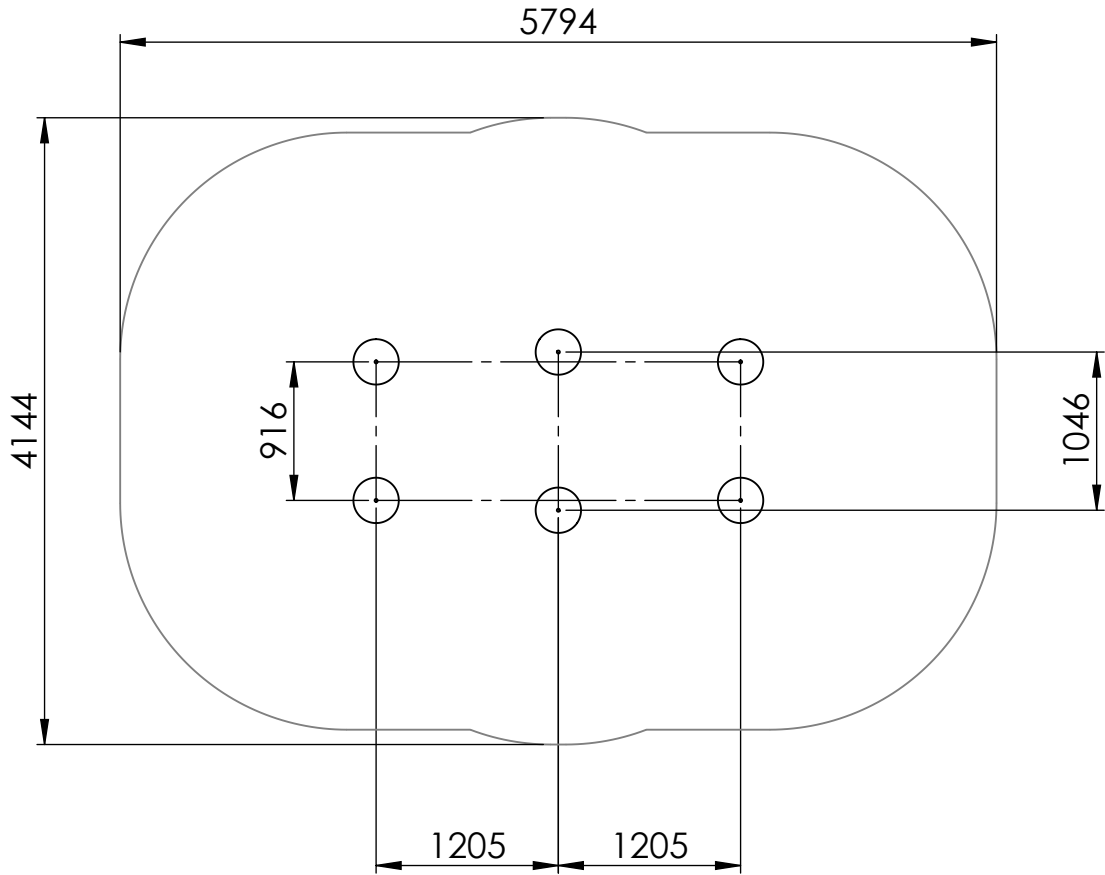
B

C

D

E

F



depth of foundation 500mm

UNLESS OTHERWISE SPECIFIED:
DIMENSIONS ARE IN MILLIMETERS
WEIGHT ARE IN KILOGRAMM

PART NUMBER / DWG NO.:

RS105

	NAME	SIGNATURE	DATE	REVISION
DRAWN	M.Rebase		22.06.2015	
APPV'D				

DESCRIPTION:

Climbing frame RAINBOW



Tiptaptap OÜ

Tiptaptap OÜ
Veetorni 9,
Jüri alevik, Rae vald,
75301 Harjumaa

MATERIAL:

wood, metal, plastic

A4

WEIGHT:

SCALE: 1:50

SHEET 3 OF 7

1

2

3

4

A

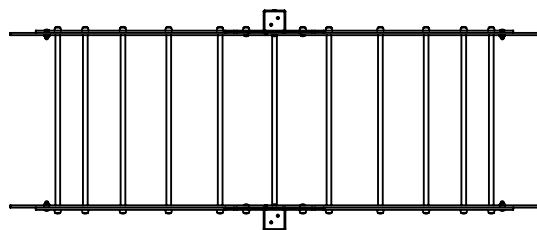
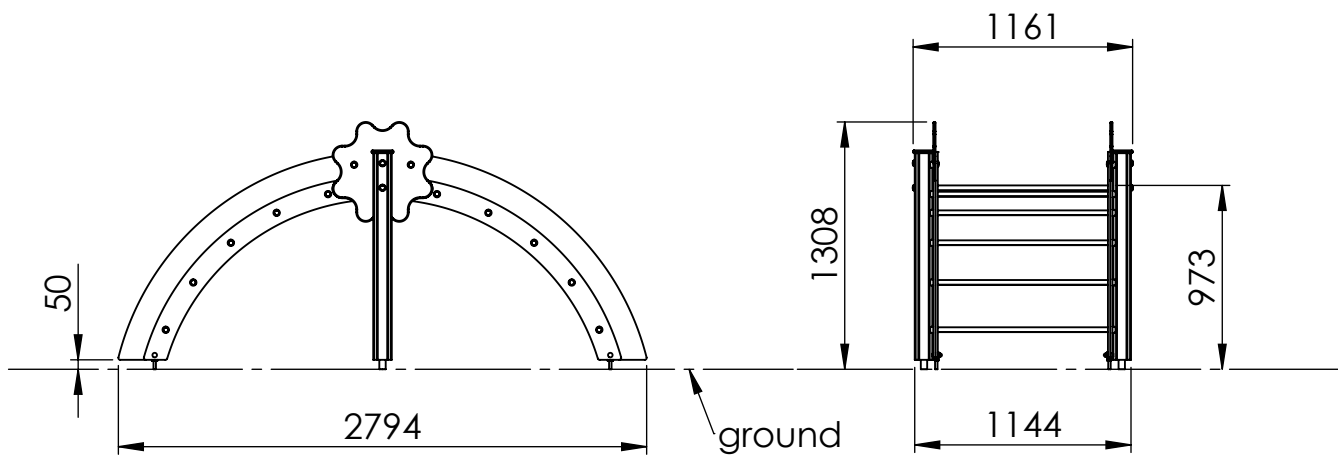
B

C

D

E

F



UNLESS OTHERWISE SPECIFIED:
DIMENSIONS ARE IN MILLIMETERS
WEIGHT ARE IN KILOGRAMM

PART NUMBER / DWG NO.:

RS105

	NAME	SIGNATURE	DATE	REVISION
DRAWN	M.Rebase		22.06.2015	
APPV'D				

DESCRIPTION:

Climbing frame RAINBOW



Tiptaptap OÜ

Tiptaptap OÜ
Veetorni 9,
Jüri alevik, Rae vald,
75301 Harjumaa

MATERIAL:

wood, metal, plastic

A4

WEIGHT:

SCALE: 1:40

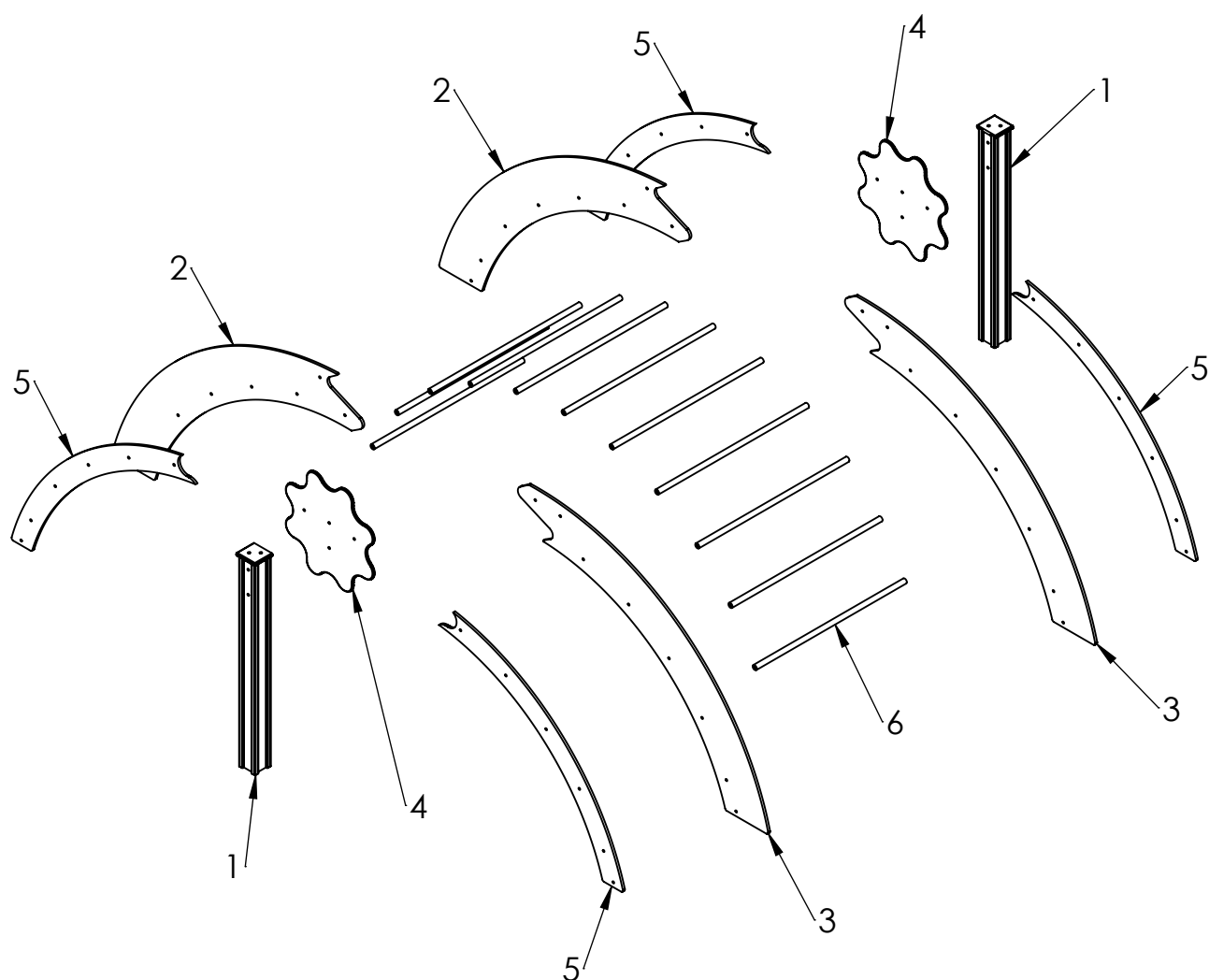
SHEET 4 OF 7

A

B

C

D



ITEM NO.	PART NUMBER	DESCRIPTION	QTY.
1	post 98x98x1100	laminated wood	2
2	arc 1400x250 left	plywood	2
3	arc 1400x250 right	plywood	2
4	panel "sun"	plywood	2
5	arc 1270x120	plywood	4
6	ladder rung 25x900	galvanized painted steel	11

UNLESS OTHERWISE SPECIFIED:
DIMENSIONS ARE IN MILLIMETERS
WEIGHT ARE IN KILOGRAMM

PART NUMBER / DWG NO.:

RS105

	NAME	SIGNATURE	DATE	REVISION
DRAWN	M.Rebase		22.06.2015	
APPV'D				

DESCRIPTION:

Climbing frame RAINBOW

MATERIAL:

wood, metal, plastic

A4

WEIGHT:

SCALE: 1:30

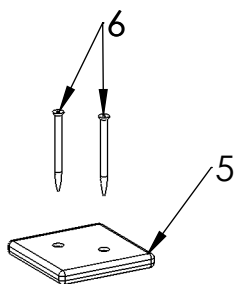
SHEET 5 OF 7


Tiptaptap OÜ

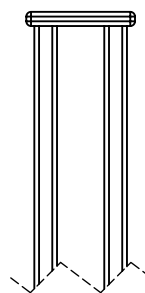
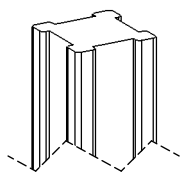
 Tiptaptap OÜ
 Veetorni 9,
 Jüri alevik, Rae vald,
 75301 Harjumaa

F

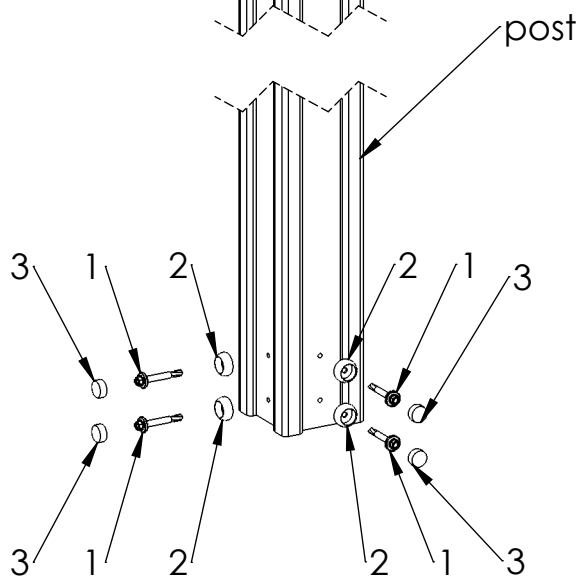
A



B

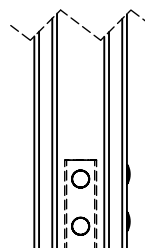


C



ground

concrete



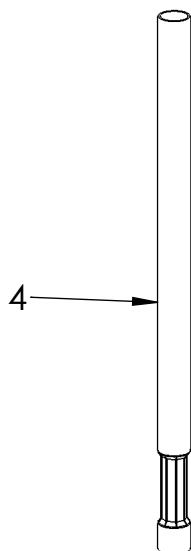
50

200

455

500

D



Ø 300

E

ITEM NO.	PART NUMBER
1	screw DIN7504K 5,5x50
2	nut cover M6
3	nut cover cap M6
4	metal ground fixing L_600
5	plastic cap 115x115
6	woodscrew 6 x 90

UNLESS OTHERWISE SPECIFIED:
DIMENSIONS ARE IN MILLIMETERS
WEIGHT ARE IN KILOGRAMM

PART NUMBER / DWG NO.:

RS105

	NAME	SIGNATURE	DATE	REVISION
DRAWN	M.Rebase		22.06.2015	
APPV'D				

DESCRIPTION:

Climbing frame RAINBOW
connecting metal ground fixing to post

F



Tiptiptap OÜ

Tiptiptap OÜ
Veetorni 9,
Jüri alevik, Rae vald,
75301 Harjumaa

MATERIAL:

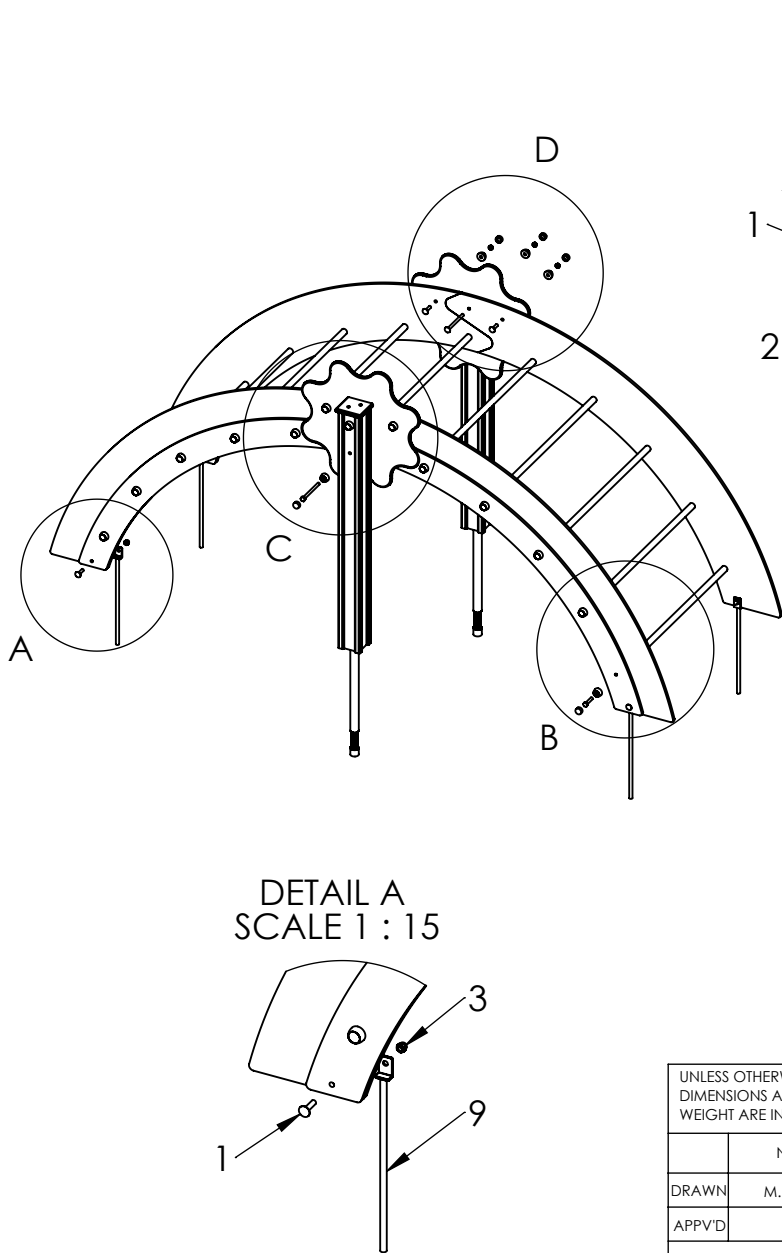
wood, metal, plastic

A4

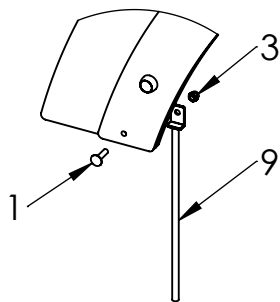
WEIGHT:

SCALE: 1:8

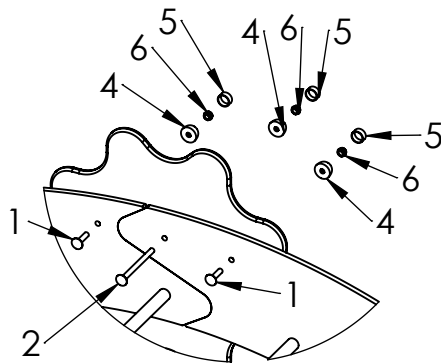
SHEET 6 OF 7



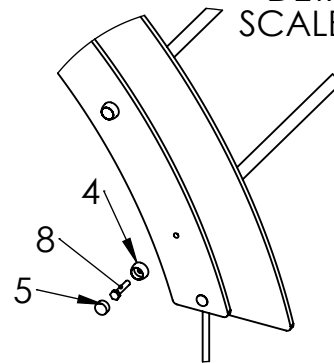
DETAIL A
SCALE 1 : 15



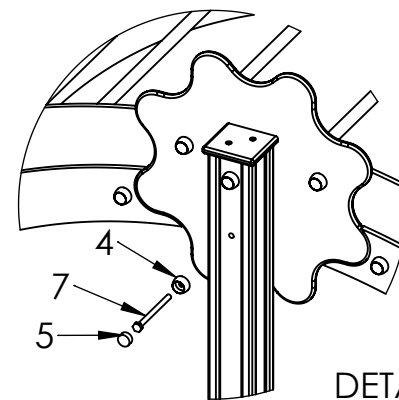
DETAIL D
SCALE 1 : 15



DETAIL B
SCALE 1 : 15



DETAIL C
SCALE 1 : 15



ITEM NO.	PART NUMBER
1	bolt DIN603 M10x40
2	bolt DIN603 M10x130
3	domed cap nut DIN1587 M10
4	nut cover M10
5	nut cover cap M10
6	nut DIN985 M10
7	bolt DIN931 M10x130
8	bolt DIN933 M10x50
9	Ground fixture L-shape

UNLESS OTHERWISE SPECIFIED:
DIMENSIONS ARE IN MILLIMETERS
WEIGHT ARE IN KILOGRAMM

	NAME	SIGNATURE	DATE	REVISION
DRAWN	M.Rebase		22.06.2015	
APPV'D				

PART NUMBER / DWG NO.:

RS105

DESCRIPTION:

Climbing frame RAINBOW

MATERIAL:

wood, metal, plastic

A4

WEIGHT:

SCALE: 1:30

SHEET 7 OF 7



Tiptap OÜ

Tiptap OÜ
Veetorni 9,
Jüri alevik, Rae vald,
75301 Harjumaa