

A

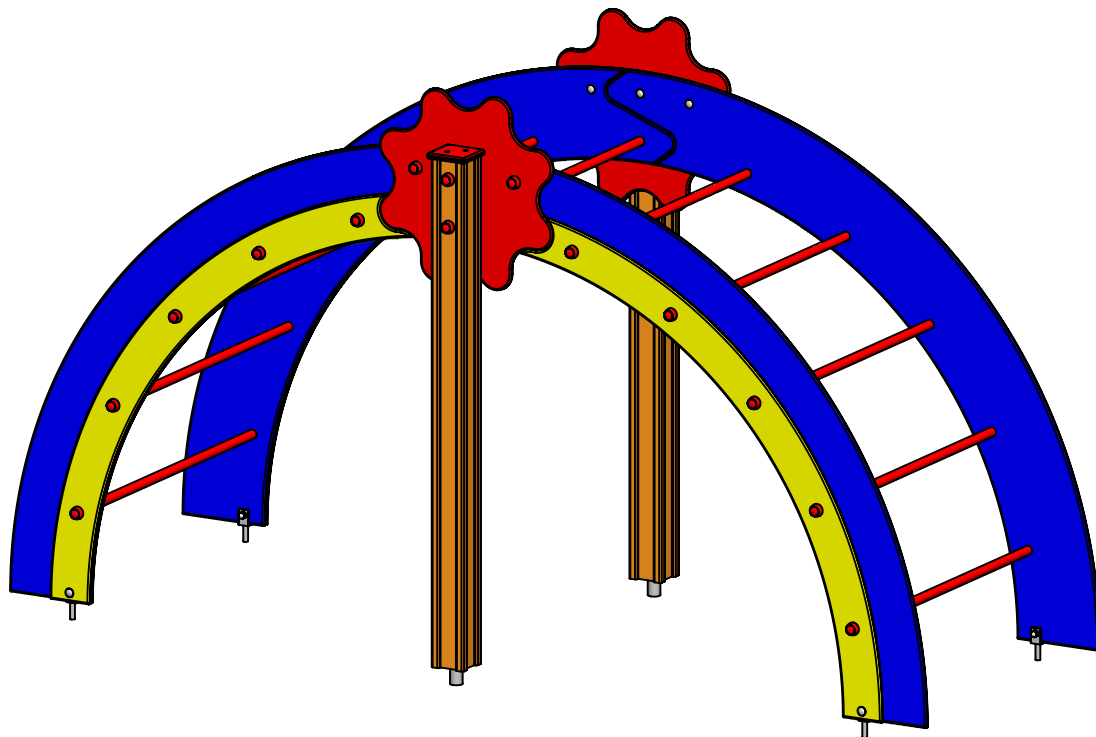
B

C

D

E

F



UNLESS OTHERWISE SPECIFIED:  
 DIMENSIONS ARE IN MILLIMETERS  
 WEIGHT ARE IN KILOGRAMM

PART NUMBER / DWG NO.:

RS105

	NAME	SIGNATURE	DATE	REVISION
DRAWN	M.Rebase		18.09.2013	
APPV'D				

DESCRIPTION:

Climbing frame RAINBOW



**Tiptaptap** OÜ

Tiptaptap OÜ  
 Veetorni 9,  
 Jüri alevik, Rae vald,  
 75301 Harjumaa

MATERIAL:

wood, metal, plastic

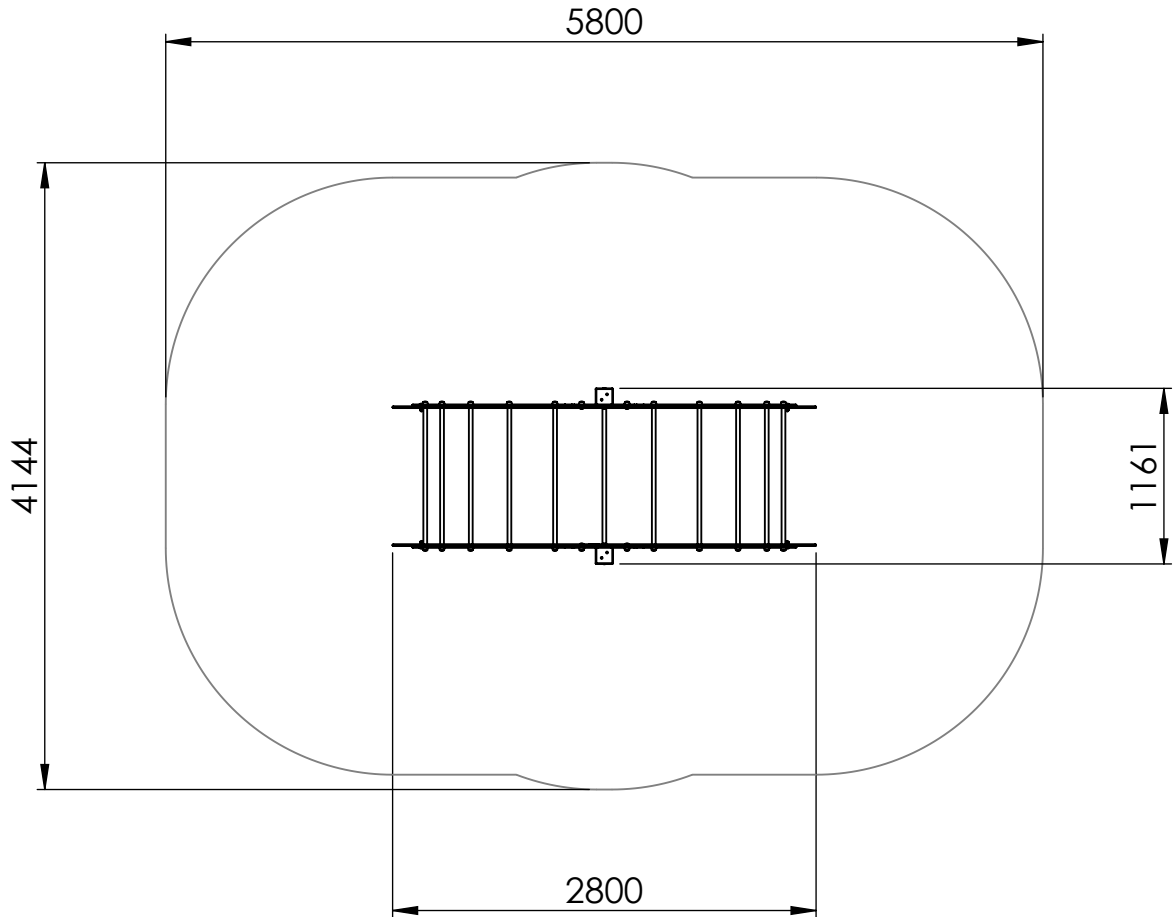
A4

WEIGHT:

SCALE: 1:20

SHEET 1 OF 7

# safety area



UNLESS OTHERWISE SPECIFIED:  
DIMENSIONS ARE IN MILLIMETERS  
WEIGHT ARE IN KILOGRAMM

PART NUMBER / DWG NO.:

RS105

	NAME	SIGNATURE	DATE	REVISION
DRAWN	M.Rebase		18.09.2013	
APPV'D				

DESCRIPTION:

Climbing frame RAINBOW



**Tiptaptap** OÜ

Tiptaptap OÜ  
Veetorni 9,  
Jüri alevik, Rae vald,  
75301 Harjumaa

MATERIAL:

wood, metal, plastic

A4

WEIGHT:

SCALE: 1:50

SHEET 2 OF 7

# foundation

A

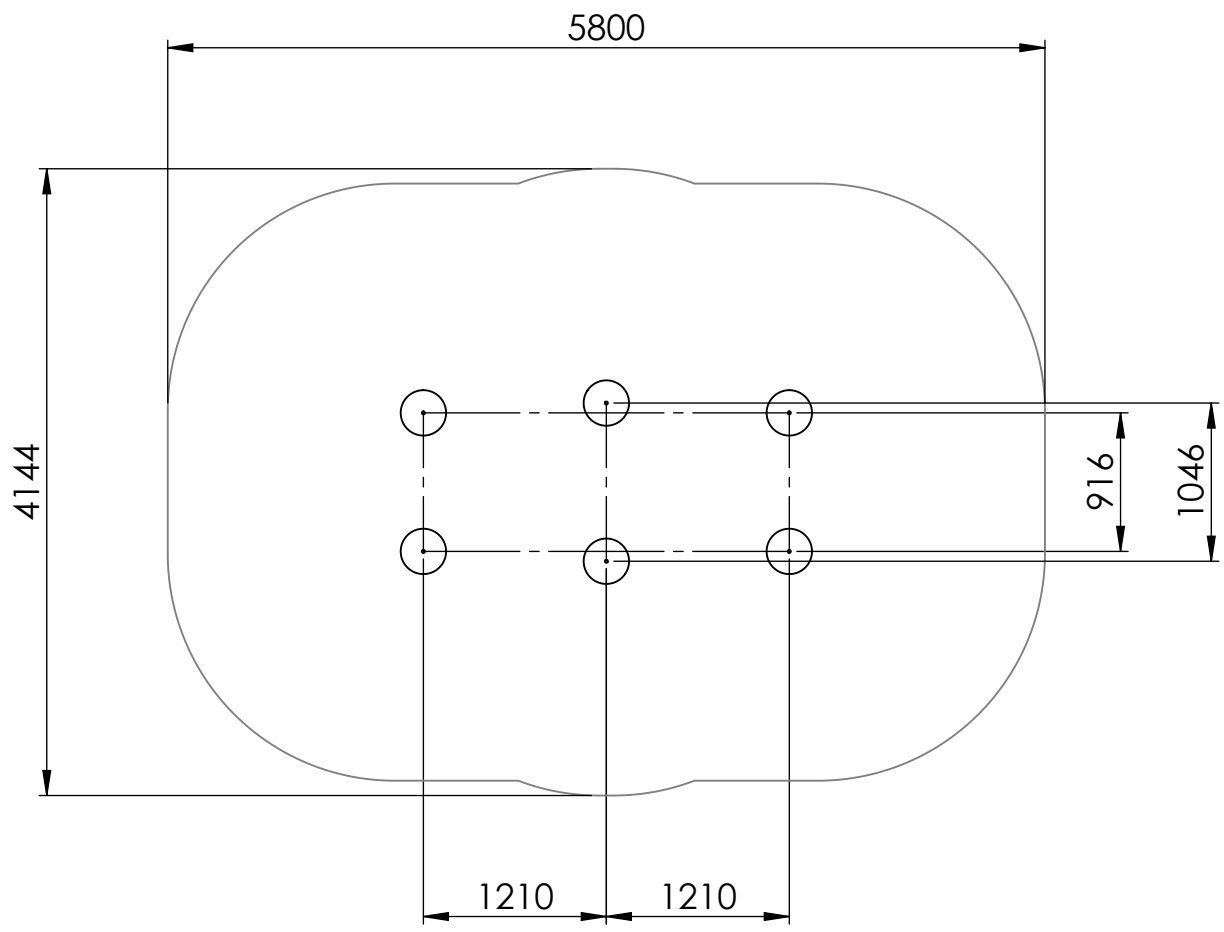
B

C

D

E

F



depth of foundation 500mm

UNLESS OTHERWISE SPECIFIED:  
 DIMENSIONS ARE IN MILLIMETERS  
 WEIGHT ARE IN KILOGRAMM

PART NUMBER / DWG NO.:  
**RS105**

	NAME	SIGNATURE	DATE	REVISION
DRAWN	M.Rebase		18.09.2013	
APPV'D				

DESCRIPTION:  
**Climbing frame RAINBOW**



**Tiptiptap** OÜ  
 Veetorni 9,  
 Jüri alevik, Rae vald,  
 75301 Harjumaa

MATERIAL:	wood, metal, plastic	A4
WEIGHT:	SCALE: 1:50	SHEET 3 OF 7

1

2

3

4

A

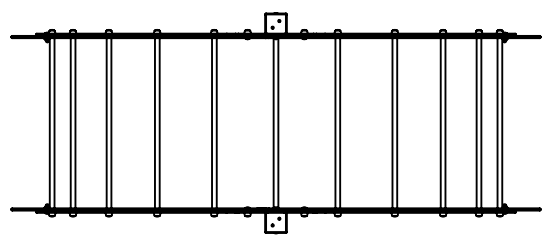
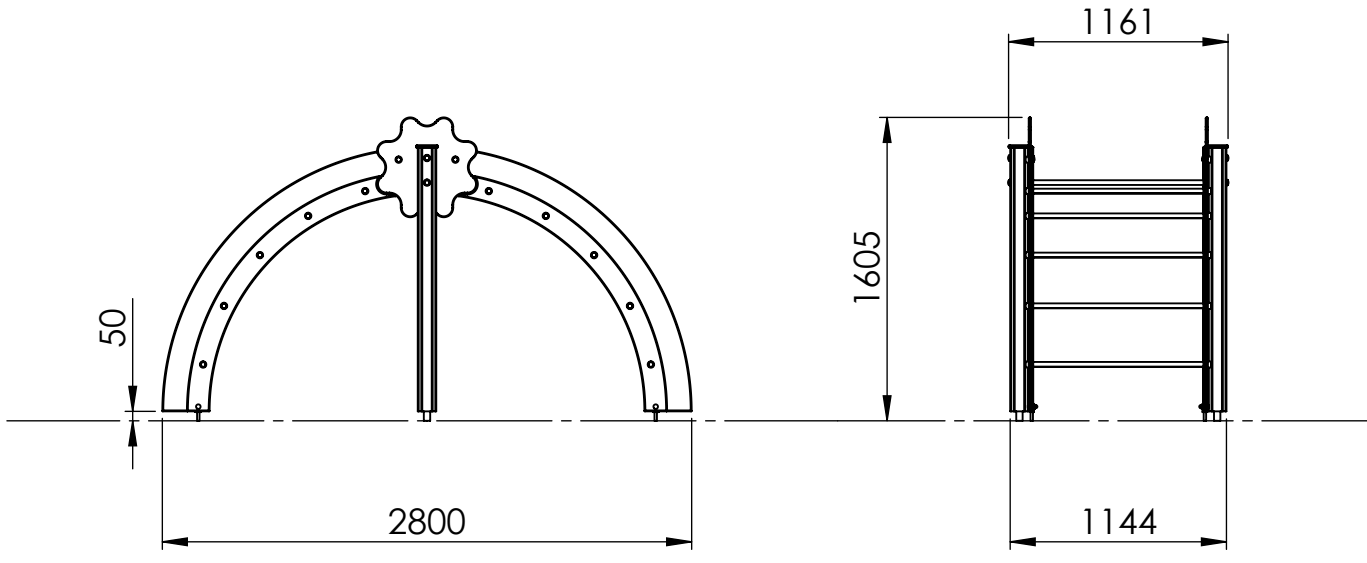
B

C

D

E

F



UNLESS OTHERWISE SPECIFIED:  
 DIMENSIONS ARE IN MILLIMETERS  
 WEIGHT ARE IN KILOGRAMM

PART NUMBER / DWG NO.:  
**RS105**

	NAME	SIGNATURE	DATE	REVISION
DRAWN	M.Rebase		18.09.2013	
APPV'D				

DESCRIPTION:  
**Climbing frame RAINBOW**



**Tiptaptap** OÜ  
 Veetorni 9,  
 Jüri alevik, Rae vald,  
 75301 Harjumaa

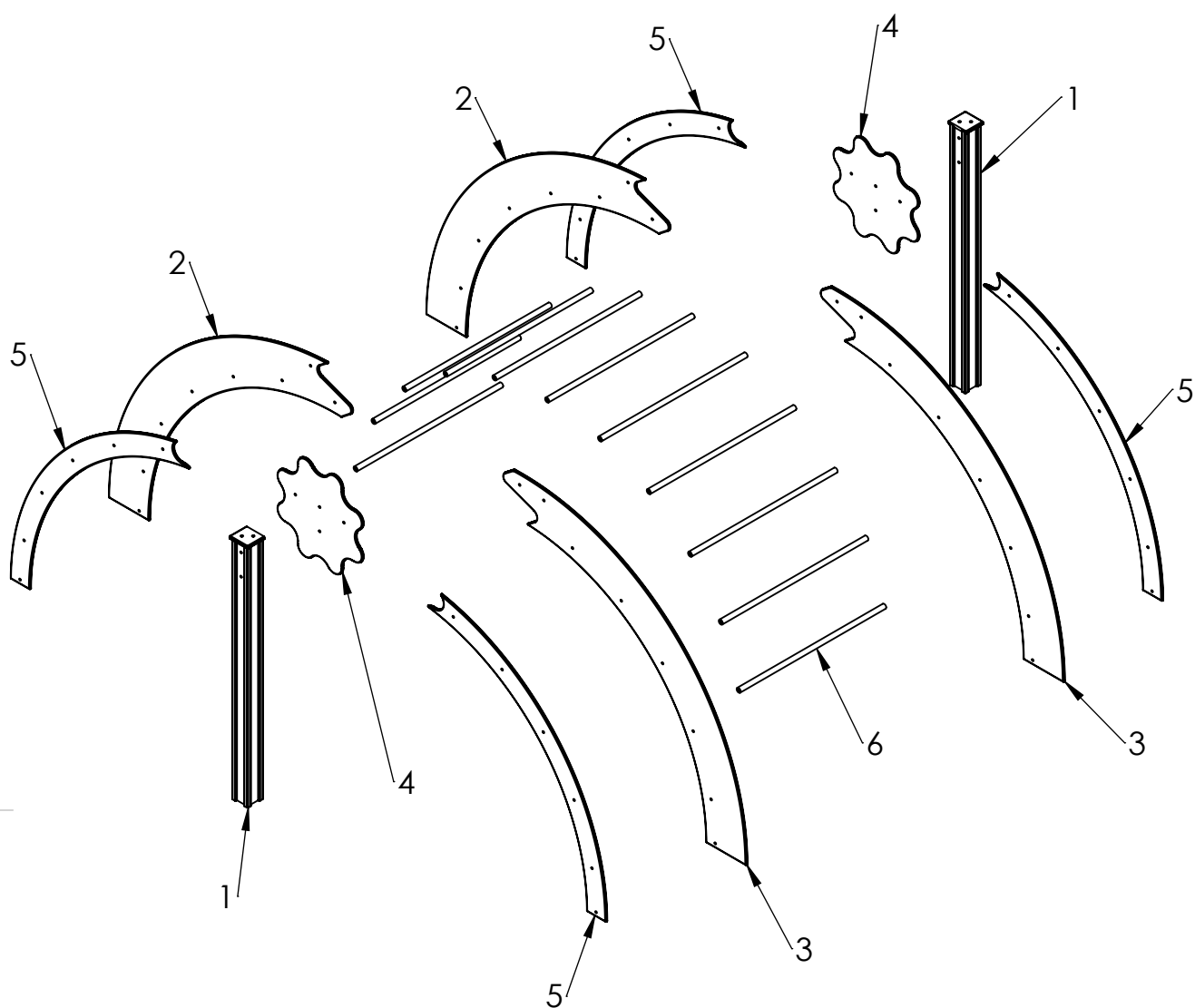
MATERIAL:	wood, metal, plastic	A4
WEIGHT:	SCALE: 1:40	SHEET 4 OF 7

A

B

C

D



ITEM NO.	PART NUMBER	DESCRIPTION	QTY.
1	post 98x98x1400	laminated wood	2
2	arc 1400x250 left	plywood	2
3	arc 1400x250 right	plywood	2
4	panel "sun"	plywood	2
5	arc 1270x120	plywood	4
6	ladder rung 25x900	galvanized painted steel	11

UNLESS OTHERWISE SPECIFIED:  
DIMENSIONS ARE IN MILLIMETERS  
WEIGHT ARE IN KILOGRAMM

PART NUMBER / DWG NO.:

RS105

	NAME	SIGNATURE	DATE	REVISION
DRAWN	M.Rebase		18.09.2013	
APPV'D				

DESCRIPTION:

Climbing frame RAINBOW

MATERIAL:

wood, metal, plastic

A4

WEIGHT:

SCALE: 1:30

SHEET 5 OF 7


**Tiptaptap** OÜ

 Tiptaptap OÜ  
 Veetorni 9,  
 Jüri alevik, Rae vald,  
 75301 Harjumaa

F

A

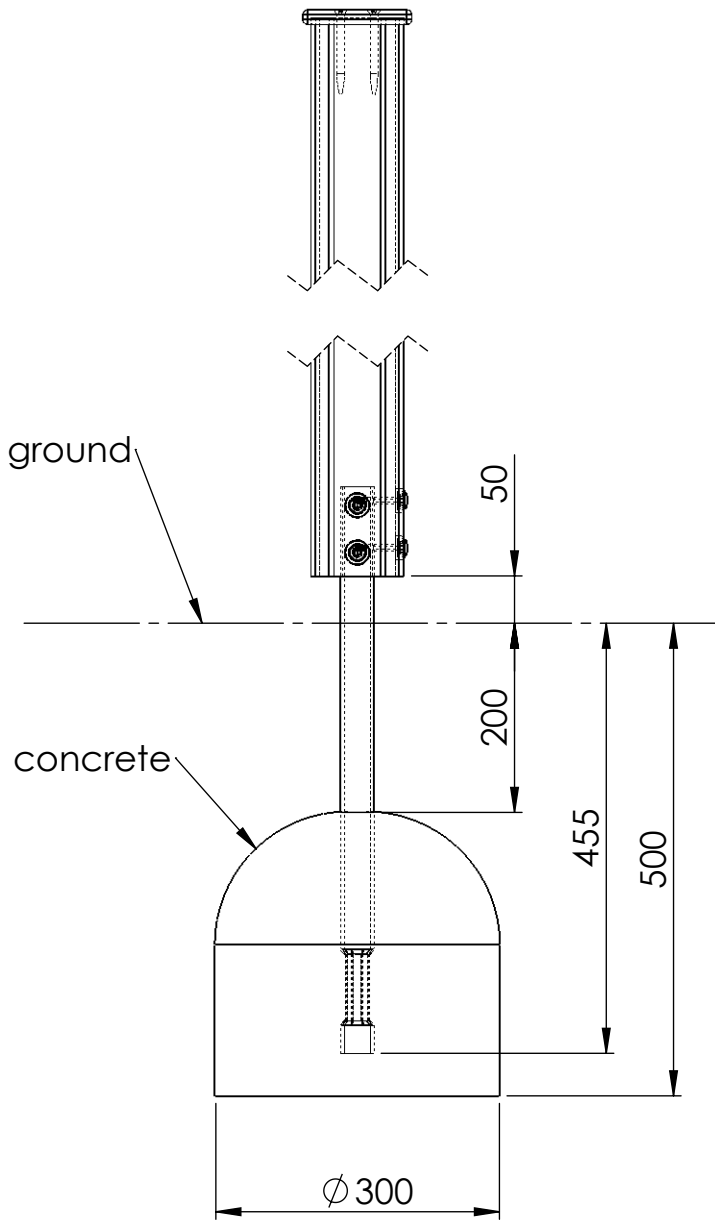
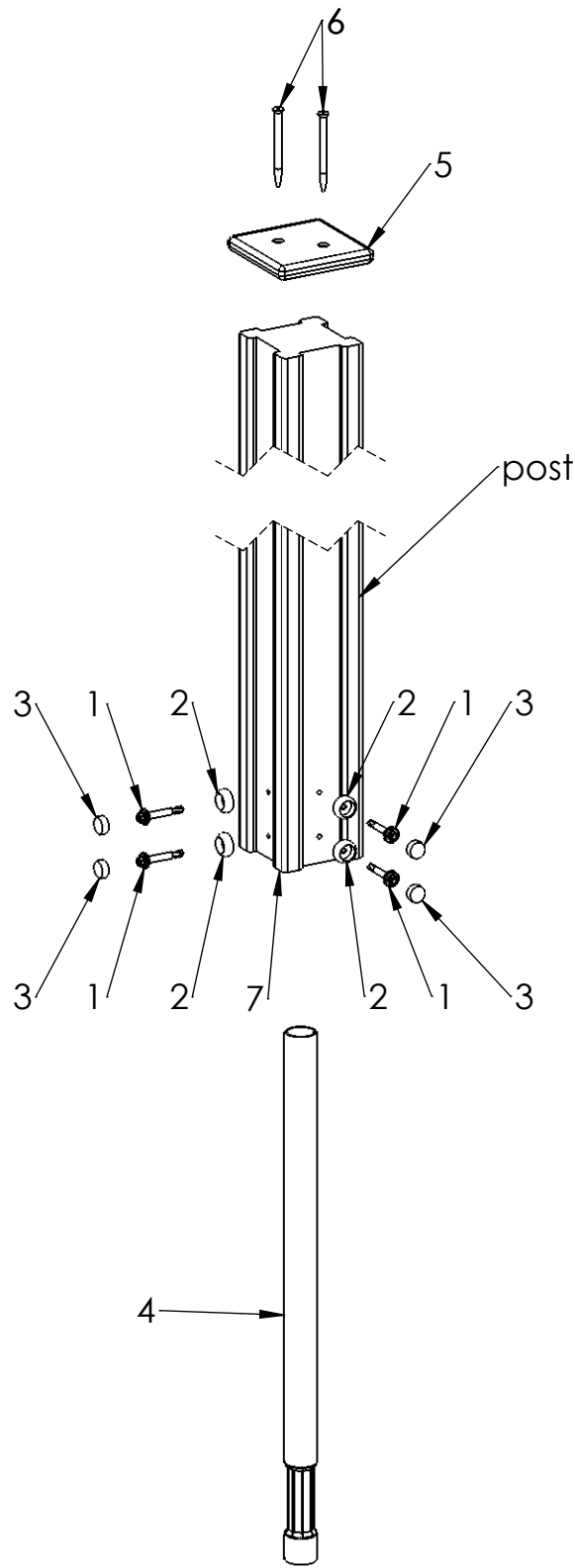
B

C

D

E

F



ITEM NO.	PART NUMBER
1	screw DIN7504K 5,5x50
2	nut cover M6
3	nut cover cap M6
4	metal ground fixing L_600
5	plastic cap 115x115
6	Woodscrew 6 x 90

UNLESS OTHERWISE SPECIFIED:  
DIMENSIONS ARE IN MILLIMETERS  
WEIGHT ARE IN KILOGRAMM

NAME	SIGNATURE	DATE	REVISION
DRAWN M.Rebase		18.09.2013	
APPV'D			

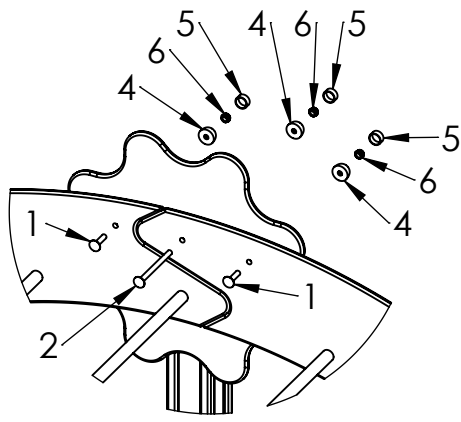
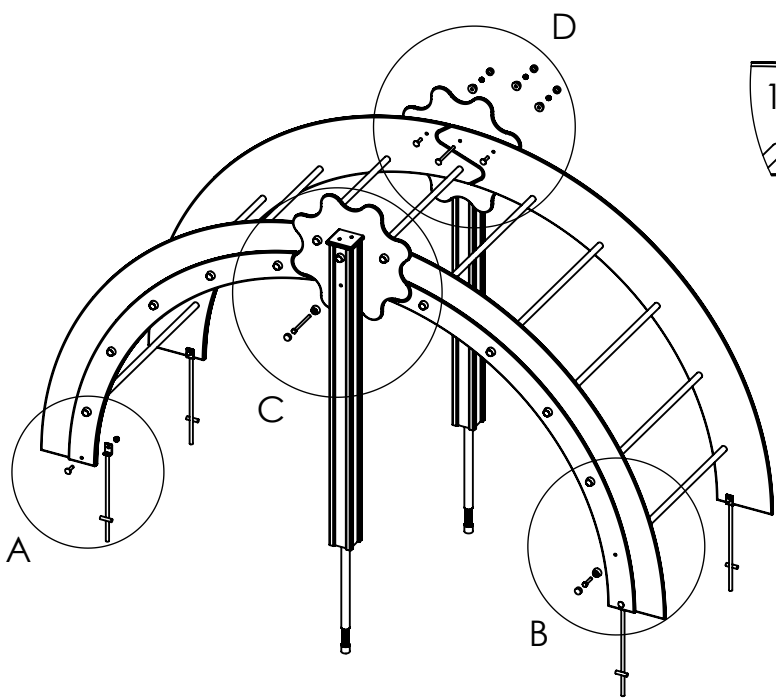
PART NUMBER / DWG NO.: **RS105**

DESCRIPTION:  
**Climbing frame RAINBOW  
connecting metal ground fixing to post**

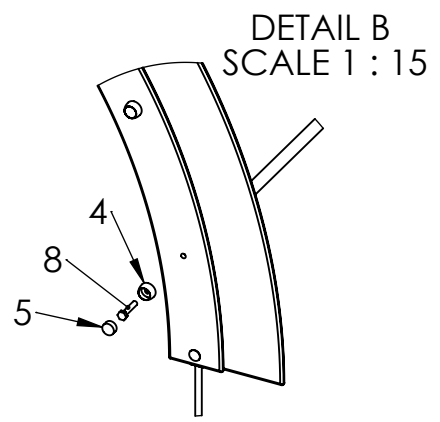
 **Tiptiptap** OÜ  
Veetorni 9,  
Jüri alevik, Rae vald,  
75301 Harjumaa

MATERIAL: wood, metal, plastic	A4
WEIGHT:	SCALE: 1:8
	SHEET 6 OF 7

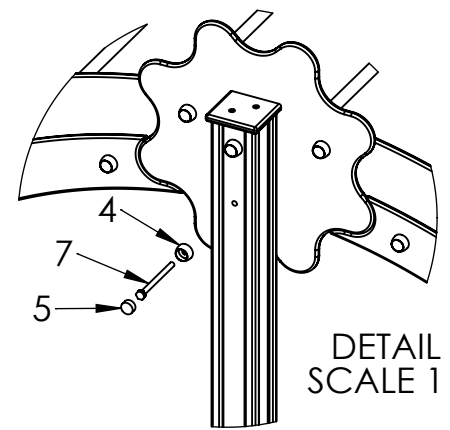
ITEM NO.	PART NUMBER
1	bolt DIN603 M10x40
2	bolt DIN603 M10x130
3	domed cap nut DIN1587 M10
4	nut cover M10
5	nut cover cap M10
6	nut DIN985 M10
7	bolt DIN931 M10x130
8	bolt DIN933 M10x50
9	Ground fixture L-shape



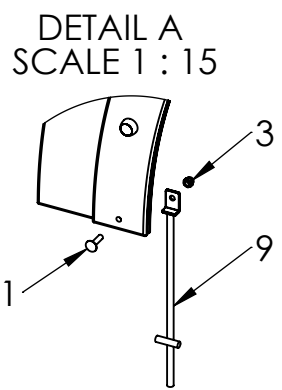
DETAIL D  
SCALE 1 : 15



DETAIL B  
SCALE 1 : 15



DETAIL C  
SCALE 1 : 15



DETAIL A  
SCALE 1 : 15

UNLESS OTHERWISE SPECIFIED:  
DIMENSIONS ARE IN MILLIMETERS  
WEIGHT ARE IN KILOGRAMM

	NAME	SIGNATURE	DATE	REVISION
DRAWN	M.Rebase		18.09.2013	
APPV'D				

PART NUMBER / DWG NO.:  
**RS105**

DESCRIPTION:  
**Climbing frame RAINBOW**



**Tiptap** OÜ  
Tiptap OÜ  
Veetorni 9,  
Jüri alevik, Rae vald,  
75301 Harjumaa

MATERIAL:	wood, metal, plastic	A4
WEIGHT:	SCALE: 1:30	SHEET 7 OF 7