

A

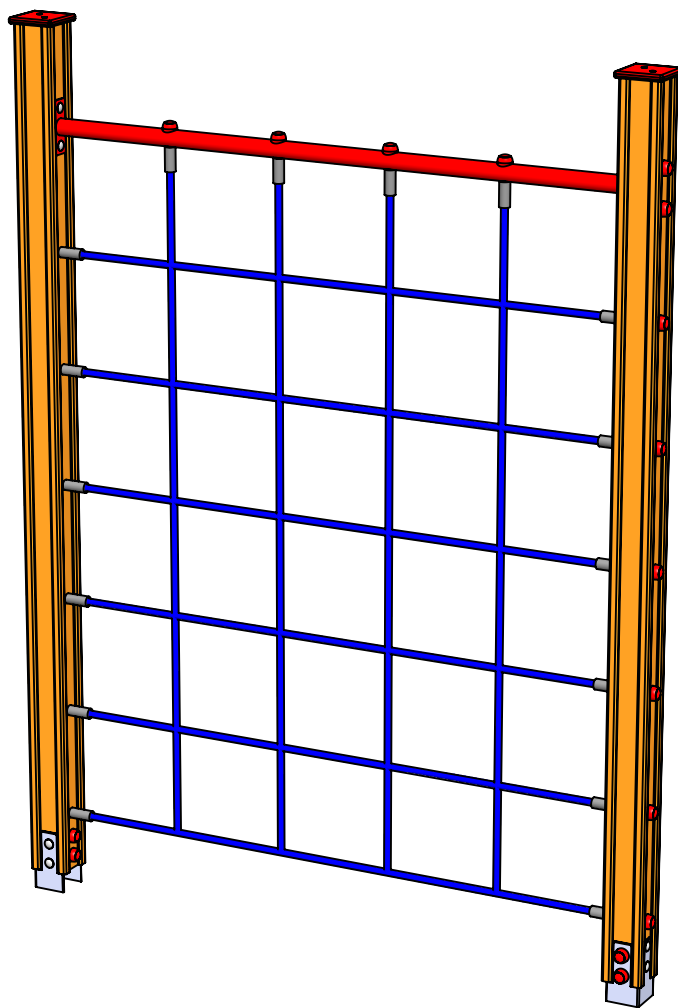
B

C

D

E

F



UNLESS OTHERWISE SPECIFIED:  
DIMENSIONS ARE IN MILLIMETERS  
WEIGHT ARE IN KILOGRAMM

PART NUMBER / DWG NO.:

RS102

	NAME	SIGNATURE	DATE	REVISION
DRAWN	M.Rebase		03.06.2013	
APPV'D				

DESCRIPTION:

Climbing net, 1 section



**Tiptaptap** OÜ

Tiptaptap OÜ  
Veetorni 9,  
Jüri alevik, Rae vald,  
75301 Harjumaa

MATERIAL:

wood, metal, plastic

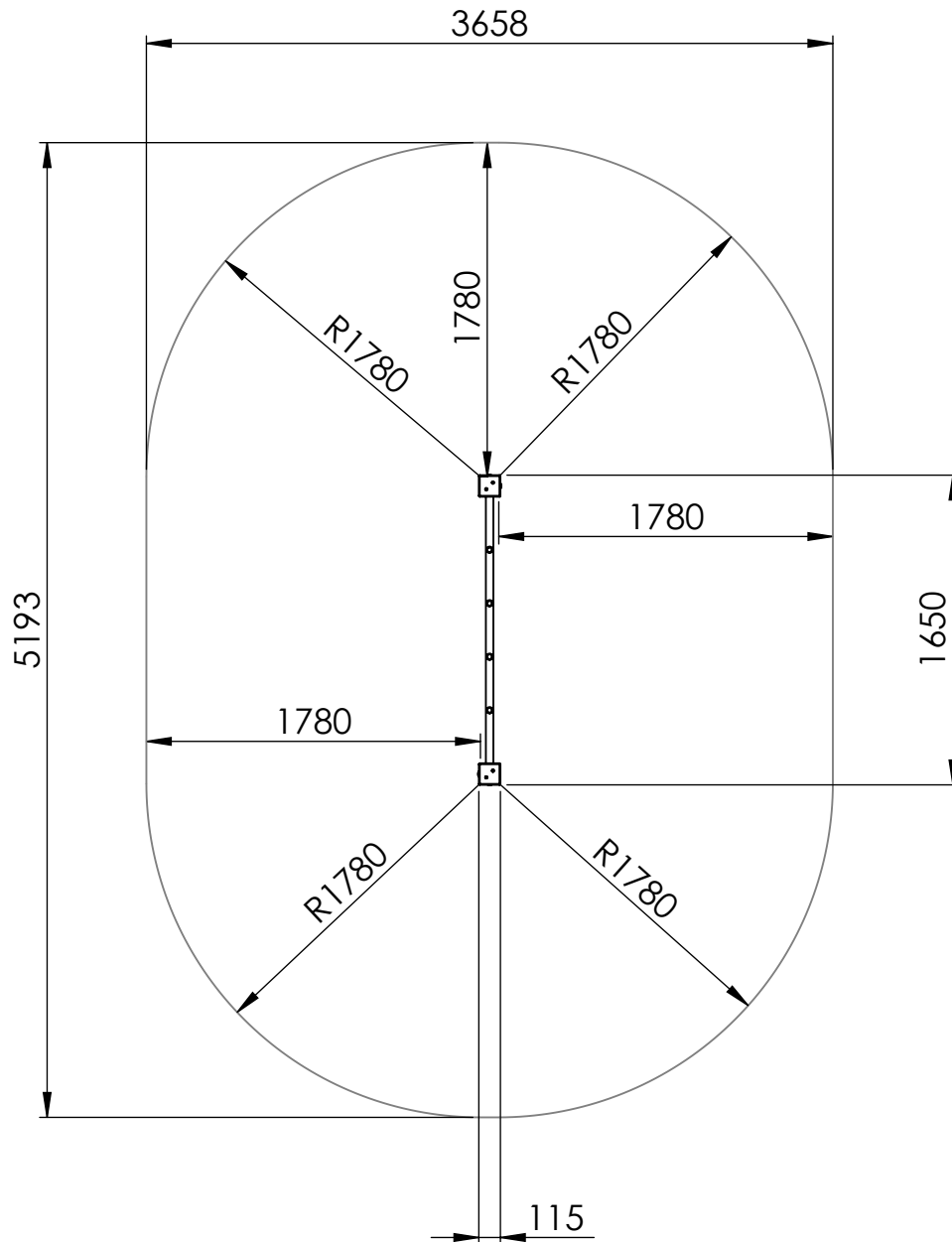
A4

WEIGHT:

SCALE: 1:15

SHEET 1 OF 7

# safety area



UNLESS OTHERWISE SPECIFIED:  
DIMENSIONS ARE IN MILLIMETERS  
WEIGHT ARE IN KILOGRAMM

PART NUMBER / DWG NO.:

RS102

	NAME	SIGNATURE	DATE	REVISION
DRAWN	M.Rebase		03.06.2013	
APPV'D				

DESCRIPTION:

Climbing net, 1 section



**Tiptaptap** OÜ

Tiptaptap OÜ  
Veetorni 9,  
Jüri alevik, Rae vald,  
75301 Harjumaa

MATERIAL:

wood, metal, plastic

A4

WEIGHT:

SCALE: 1:40

SHEET 2 OF 7

# foundation

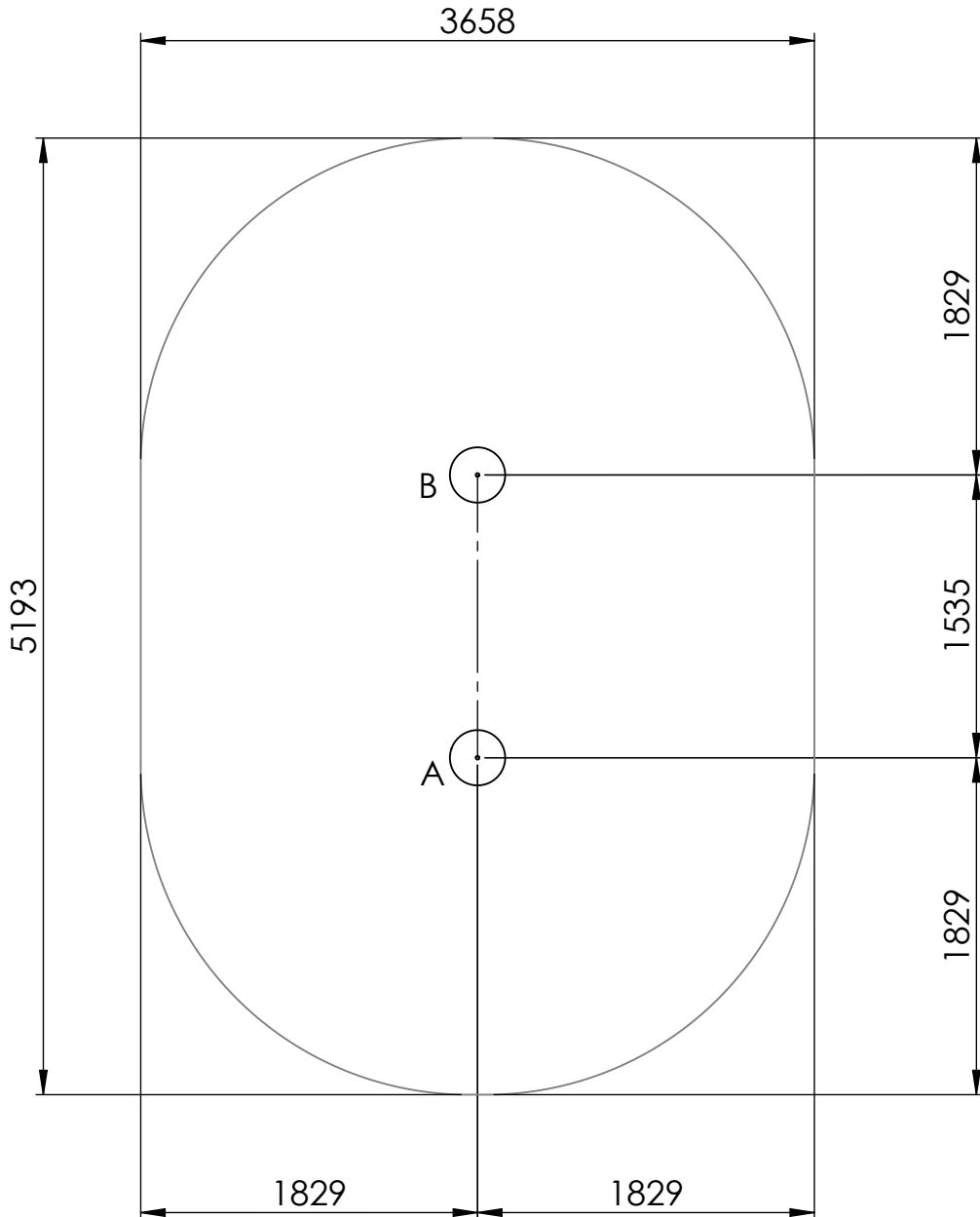
A

B

C

D

E



UNLESS OTHERWISE SPECIFIED:  
DIMENSIONS ARE IN MILLIMETERS  
WEIGHT ARE IN KILOGRAMM

PART NUMBER / DWG NO.:

RS102

	NAME	SIGNATURE	DATE	REVISION
DRAWN	M.Rebase		03.06.2013	
APPV'D				

DESCRIPTION:

Climbing net, 1 section

F



**Tiptaptap** OÜ

Tiptaptap OÜ  
Veetorni 9,  
Jüri alevik, Rae vald,  
75301 Harjumaa

MATERIAL:

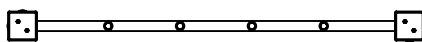
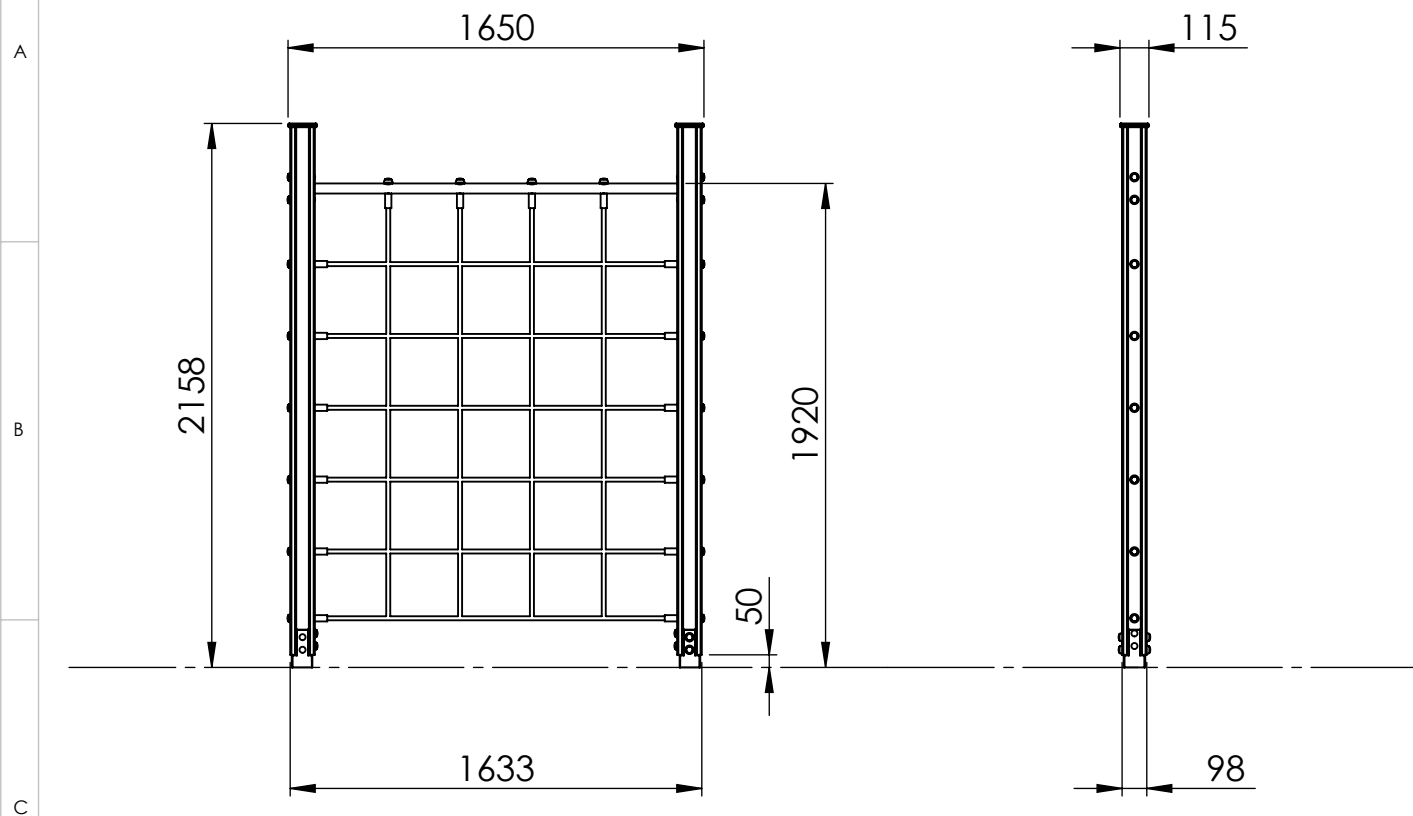
wood, metal, plastic

A4

WEIGHT:

SCALE: 1:40

SHEET 3 OF 7



UNLESS OTHERWISE SPECIFIED:  
DIMENSIONS ARE IN MILLIMETERS  
WEIGHT ARE IN KILOGRAMM

PART NUMBER / DWG NO.:

RS102

	NAME	SIGNATURE	DATE	REVISION
DRAWN	M.Rebase		03.06.2013	
APPV'D				

DESCRIPTION:

Climbing net, 1 section



**Tiptaptap** OÜ

Tiptaptap OÜ  
Veetorni 9,  
Jüri alevik, Rae vald,  
75301 Harjumaa

MATERIAL:

wood, metal, plastic

A4

WEIGHT:

SCALE: 1:30

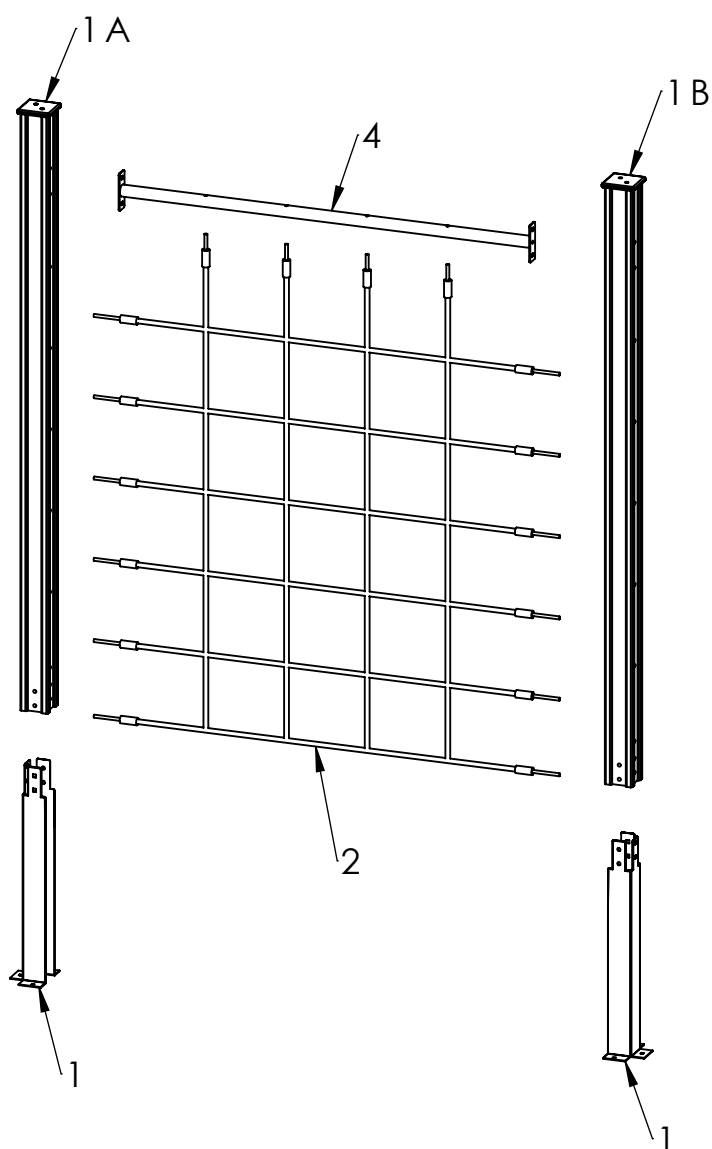
SHEET 4 OF 7

A

B

C

D



ITEM NO.	PART NUMBER	DESCRIPTION	QTY.
1	post 98x98x2100 with top cover	laminated wood, PE plastic	2
2	climbing net	PP covered steel wire	1
3	ground fixture	galvanized steel	2
4	beam 40x1455 for net	painted steel	1

UNLESS OTHERWISE SPECIFIED:  
DIMENSIONS ARE IN MILLIMETERS  
WEIGHT ARE IN KILOGRAMM

PART NUMBER / DWG NO.:

RS102

	NAME	SIGNATURE	DATE	REVISION
DRAWN	M.Rebase		03.06.2013	
APPV'D				

DESCRIPTION:

Climbing net, 1 section

F



**Tiptiptap** OÜ

Tiptiptap OÜ  
Veetorni 9,  
Jüri alevik, Rae vald,  
75301 Harjumaa

MATERIAL:

wood, metal, plastic

A4

WEIGHT:

SCALE: 1:25

SHEET 5 OF 7

A

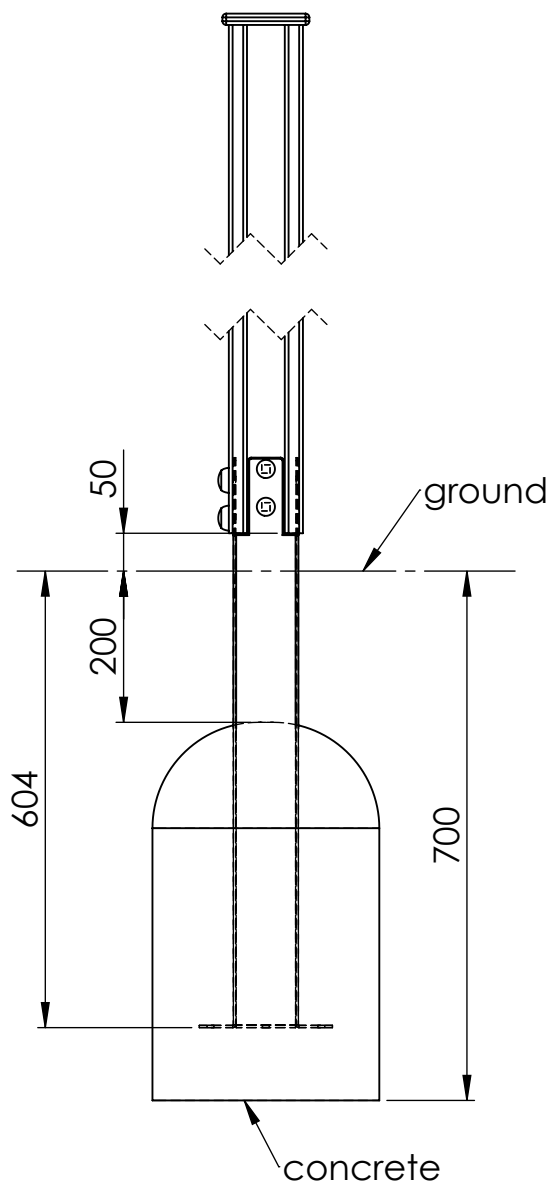
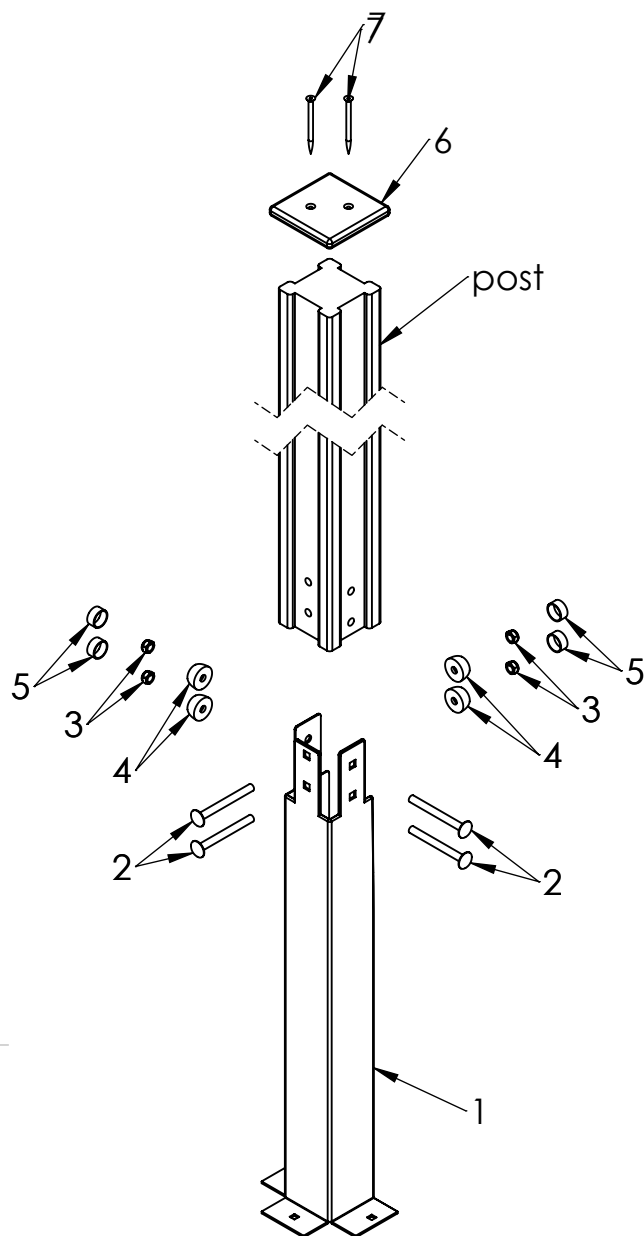
B

C

D

E

F



ITEM NO.	PART NUMBER
1	ground fixture
2	bolt DIN603 M10x100
3	nut DIN985 M10
4	nut cover M10
5	nut cover cap M10
6	plastic cap 115x115
7	woodscrew 6 x 90

UNLESS OTHERWISE SPECIFIED:  
DIMENSIONS ARE IN MILLIMETERS  
WEIGHT ARE IN KILOGRAMM

PART NUMBER / DWG NO.:

RS102

	NAME	SIGNATURE	DATE	REVISION
DRAWN	M.Rebase		03.06.2013	
APPV'D				

DESCRIPTION:

Climbing net, 1 section

MATERIAL:

wood, metal, plastic

A4

WEIGHT:

SCALE: 1:10

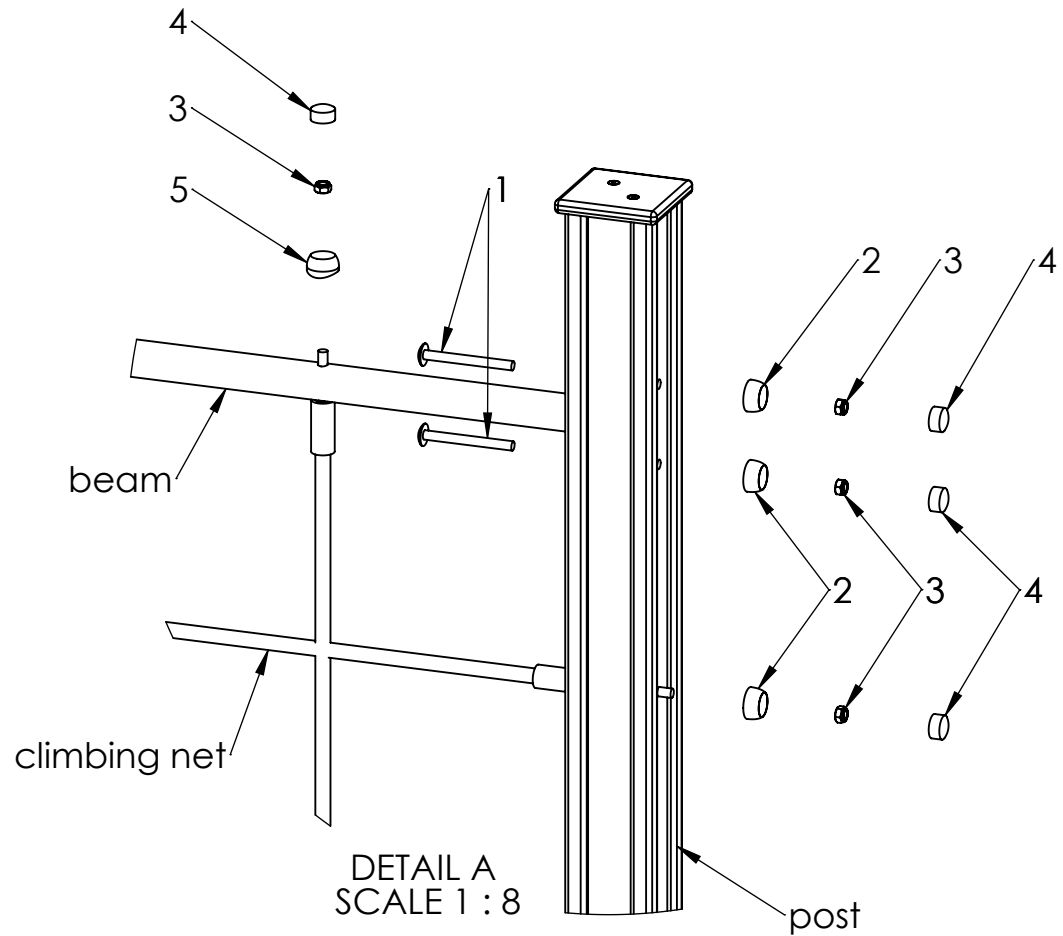
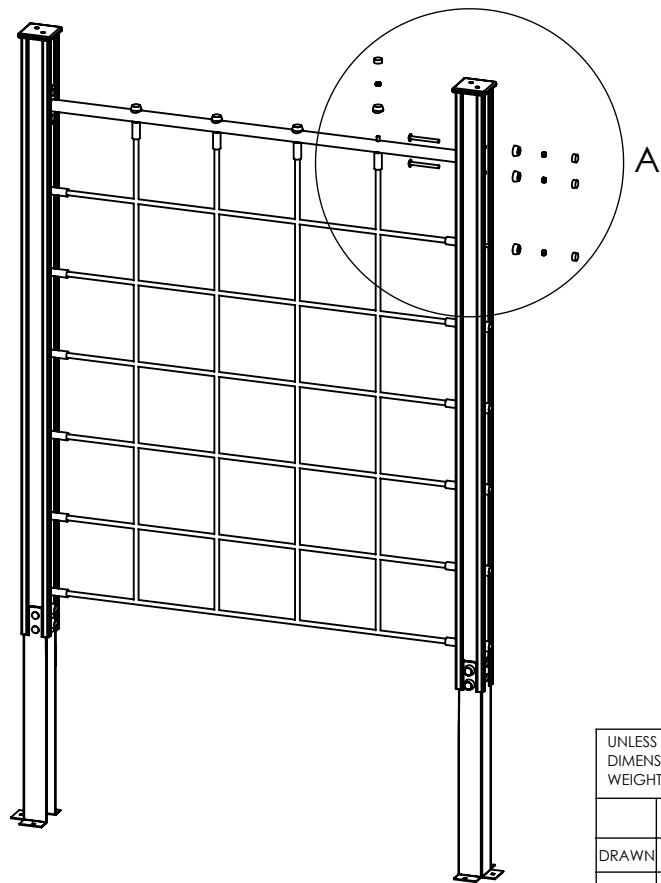
SHEET 6 OF 7



**Tiptaptap** OÜ

Tiptaptap OÜ  
Veetorni 9,  
Jüri alevik, Rae vald,  
75301 Harjumaa

ITEM NO.	PART NUMBER
1	bolt DIN603 M10x100
2	nut cover M10
3	nut DIN985 M10
4	nut cover cap M10
5	nut cover for beam M10



UNLESS OTHERWISE SPECIFIED:  
DIMENSIONS ARE IN MILLIMETERS  
WEIGHT ARE IN KILOGRAMM

	NAME	SIGNATURE	DATE	REVISION
DRAWN	M.Rebase		03.06.2013	
APPV'D				

PART NUMBER / DWG NO.:  
**RS102**

DESCRIPTION:  
**Climbing net, 1 section**



**Tiptap** OÜ  
Tiptap OÜ  
Veetorni 9,  
Jüri alevik, Rae vald,  
75301 Harjumaa

MATERIAL:	wood, metal, plastic	A4
WEIGHT:	SCALE: 1:25	SHEET 7 OF 7