

A

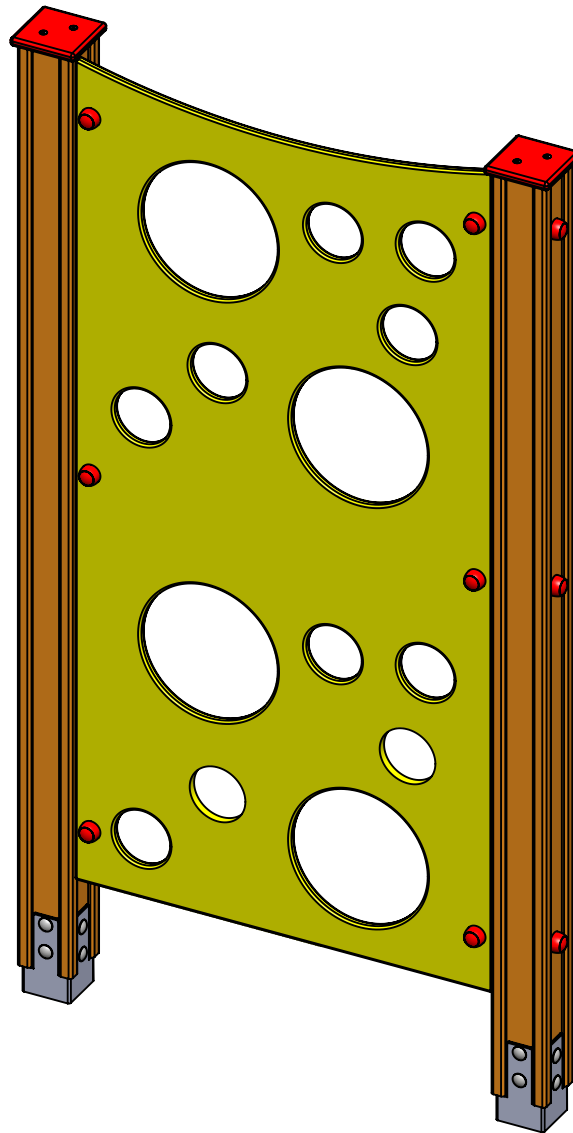
B

C

D

E

F



UNLESS OTHERWISE SPECIFIED:  
 DIMENSIONS ARE IN MILLIMETERS  
 WEIGHT ARE IN KILOGRAMM

	NAME	SIGNATURE	DATE	REVISION
DRAWN	M.Rebase		25.06.2014	
APPV'D				

PART NUMBER / DWG NO.: **RS101**

DESCRIPTION: **CHEESE WALL**



**Tiptiptap** OÜ

Tiptiptap OÜ  
 Veetorni 9,  
 Jüri alevik, Rae vald,  
 75301 Harjumaa

MATERIAL: **wood, metal, plastic**

**A4**

WEIGHT: SCALE: 1:12 SHEET 1 OF 7



# foundation

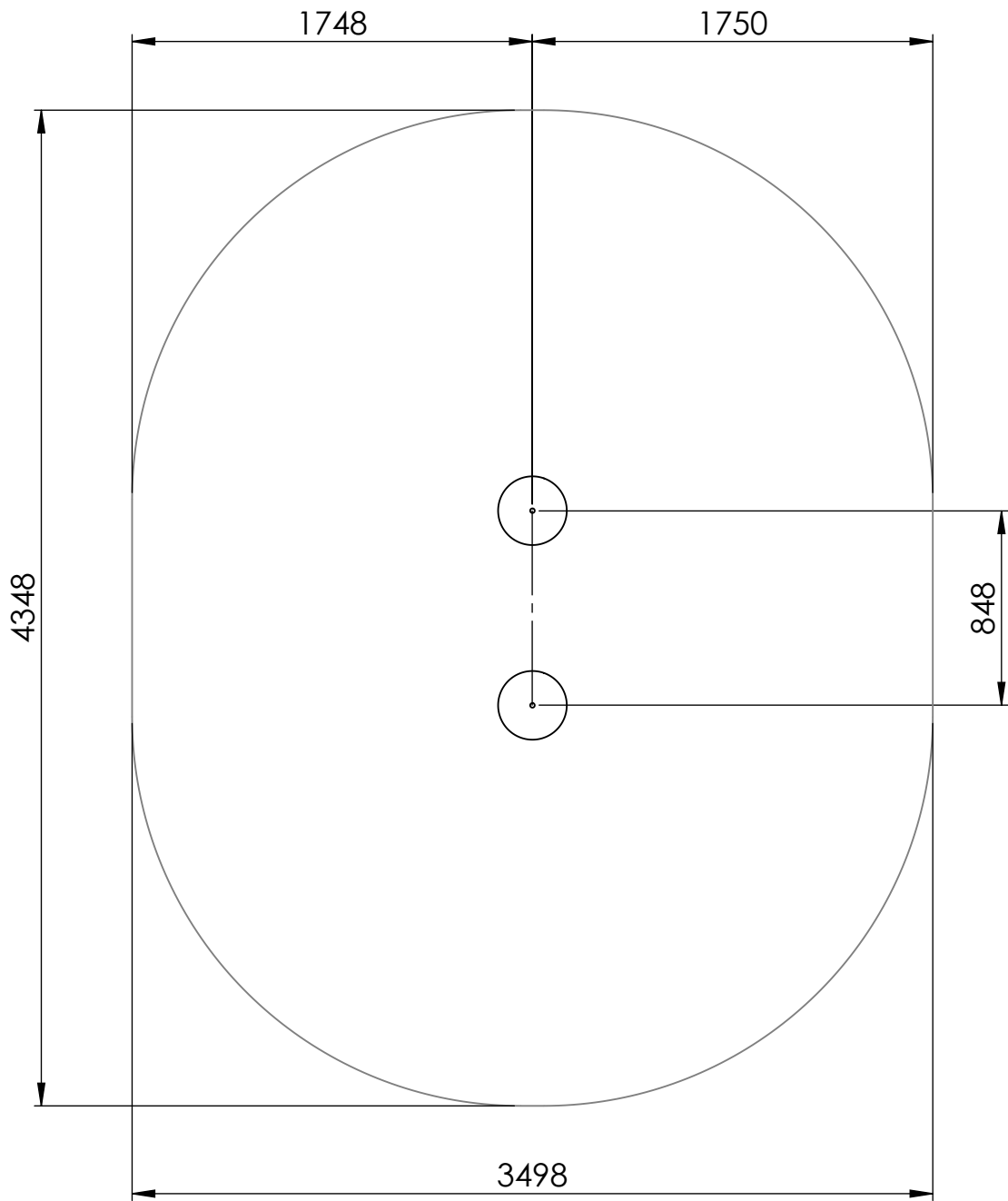
A

B

C

D

E



UNLESS OTHERWISE SPECIFIED: DIMENSIONS ARE IN MILLIMETERS WEIGHT ARE IN KILOGRAMM				
	NAME	SIGNATURE	DATE	REVISION
DRAWN	M.Rebase		25.06.2014	
APPV'D				

PART NUMBER / DWG NO.:	RS101
------------------------	-------

DESCRIPTION:	CHEESE WALL
--------------	-------------


**Tiptaptap** OÜ  
 Veetorni 9,  
 Jüri alevik, Rae vald,  
 75301 Harjumaa

MATERIAL:	wood, metal, plastic	A4
WEIGHT:	SCALE: 1:30	SHEET 3 OF 7

A

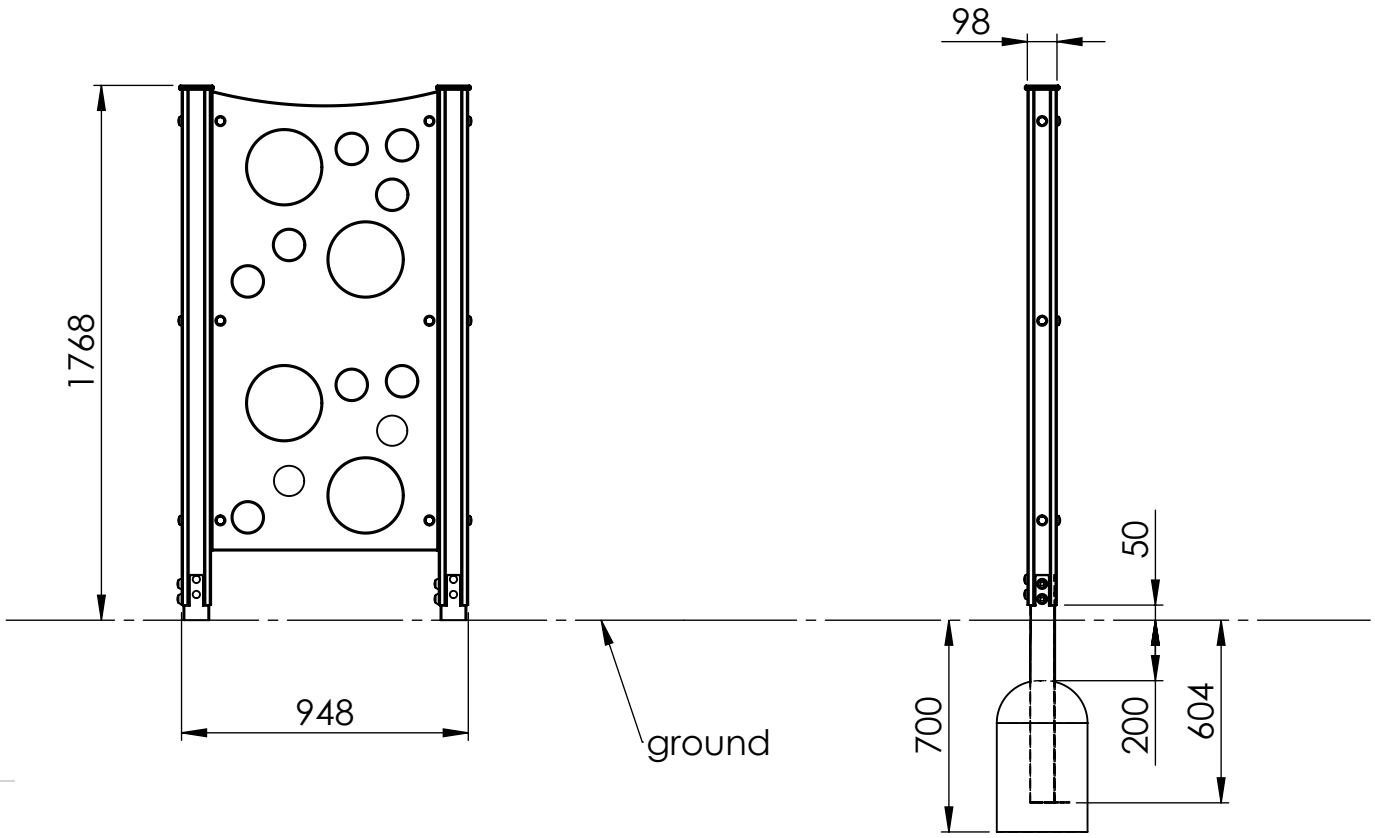
B

C

D

E

F



UNLESS OTHERWISE SPECIFIED:  
 DIMENSIONS ARE IN MILLIMETERS  
 WEIGHT ARE IN KILOGRAMM

PART NUMBER / DWG NO.:

RS101

	NAME	SIGNATURE	DATE	REVISION
DRAWN	M.Rebase		25.06.2014	
APPV'D				

DESCRIPTION:

CHEESE WALL



**Tiptiptap** OÜ

Tiptiptap OÜ  
 Veetorni 9,  
 Jüri alevik, Rae vald,  
 75301 Harjumaa

MATERIAL:

wood, metal, plastic

A4

WEIGHT:

SCALE: 1:25

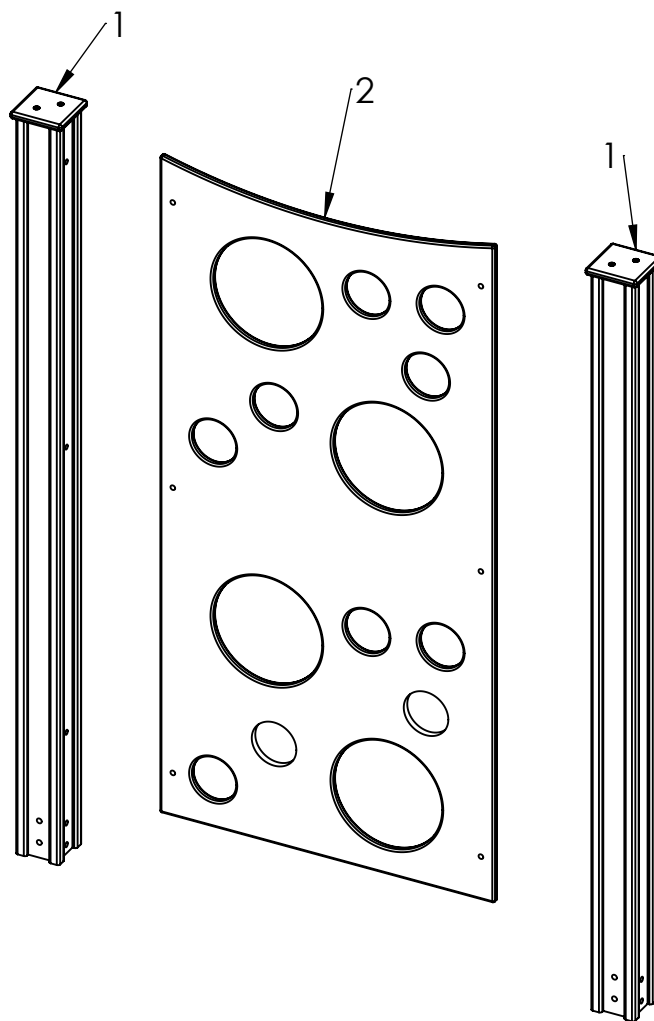
SHEET 4 OF 7

A

B

C

D



E

ITEM NO.	PART NUMBER	DESCRIPTION	QTY.
1	post 98x98x1710	laminated wood, PE plastic	2
2	climbing wall h_750x1520	PE plastic	1

UNLESS OTHERWISE SPECIFIED:  
DIMENSIONS ARE IN MILLIMETERS  
WEIGHT ARE IN KILOGRAMM

PART NUMBER / DWG NO.:

RS101

	NAME	SIGNATURE	DATE	REVISION
DRAWN	M.Rebase		25.06.2014	
APPV'D				

DESCRIPTION:

CHEESE WALL

F



**Tiptiptap** OÜ

Tiptiptap OÜ  
Veetorni 9,  
Jüri alevik, Rae vald,  
75301 Harjumaa

MATERIAL:

wood, metal, plastic

A4

WEIGHT:

SCALE: 1:15

SHEET 5 OF 7

A

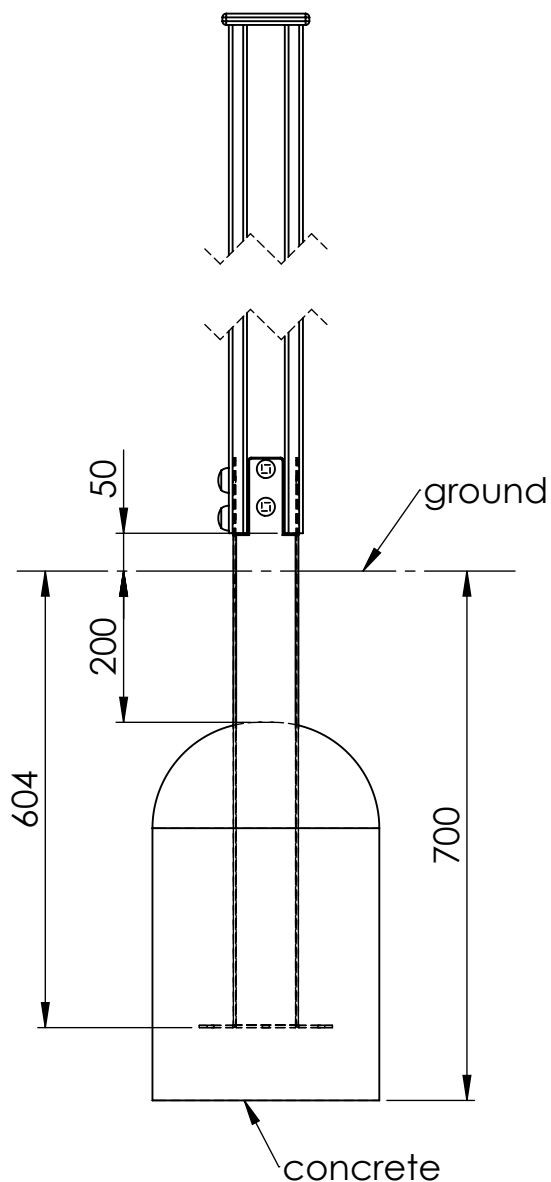
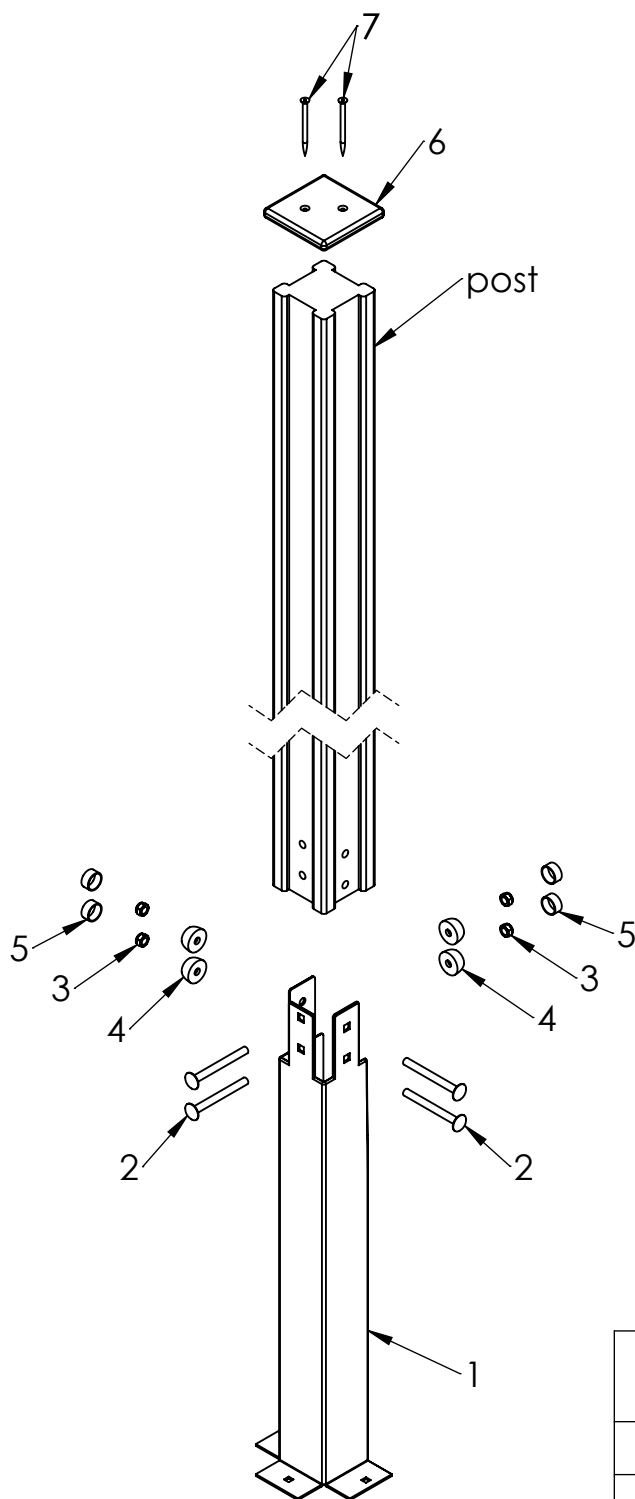
B

C

D

E

F



ITEM NO.	PART NUMBER
1	ground fixture
2	bolt DIN603 M10x100
3	nut DIN985 M10
4	nut cover M10
5	nut cover cap M10
6	plastic cap 115x115
7	woodscrew 6 x 90

UNLESS OTHERWISE SPECIFIED:  
DIMENSIONS ARE IN MILLIMETERS  
WEIGHT ARE IN KILOGRAMM

	NAME	SIGNATURE	DATE	REVISION
DRAWN	M.Rebase		25.06.2014	
APPV'D				

PART NUMBER / DWG NO.:

RS101

DESCRIPTION:

CHEESE WALL

MATERIAL:

wood, metal, plastic

A4

WEIGHT:

SCALE: 1:10

SHEET 6 OF 7



**Tiptaptap** OÜ

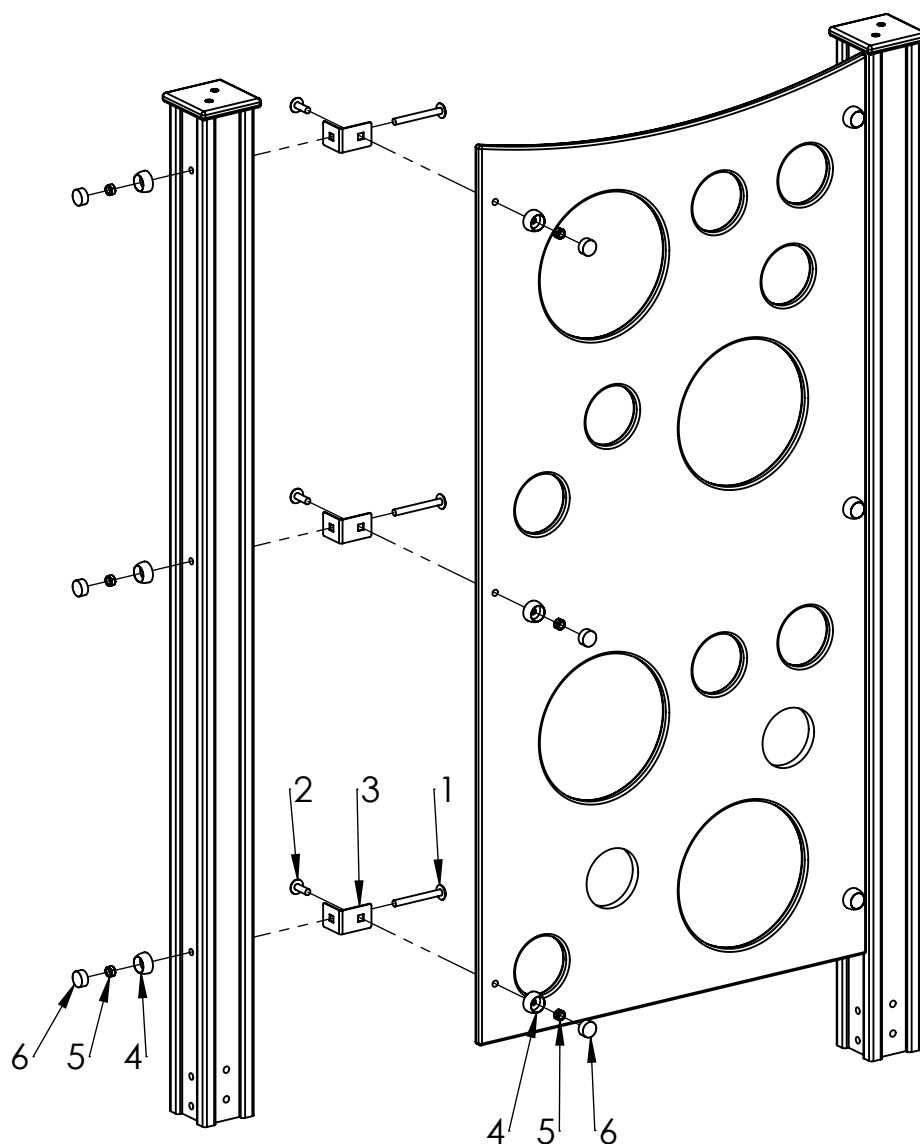
Tiptaptap OÜ  
Veetorni 9,  
Jüri alevik, Rae vald,  
75301 Harjumaa

A

B

C

D



E

F

ITEM NO.	PART NUMBER
1	bolt DIN603 M10x90
2	bolt DIN603 M10x30
3	corner 48x60
4	nut cover M10
5	nut DIN985 M10
6	nut cover cap M10

UNLESS OTHERWISE SPECIFIED:  
DIMENSIONS ARE IN MILLIMETERS  
WEIGHT ARE IN KILOGRAMM

PART NUMBER / DWG NO.:

RS101

	NAME	SIGNATURE	DATE	REVISION
DRAWN	M.Rebase		25.06.2014	
APPV'D				

DESCRIPTION:

CHEESE WALL



**Tiptap** OÜ

Tiptap OÜ  
Veetorni 9,  
Jüri alevik, Rae vald,  
75301 Harjumaa

MATERIAL:

wood, metal, plastic

A4

WEIGHT:

SCALE: 1:12

SHEET 7 OF 7