

A

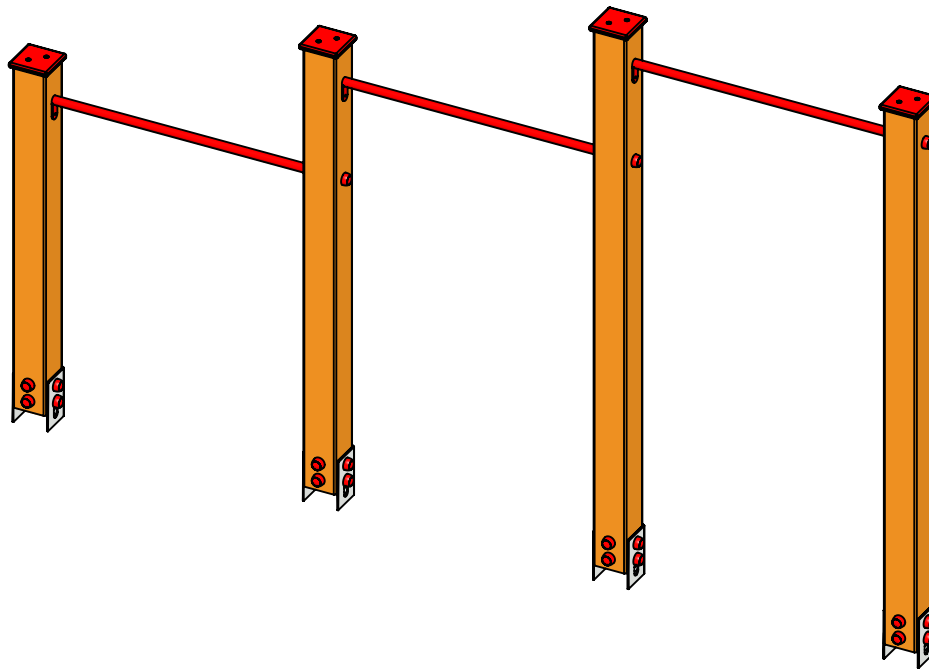
B

C

D

E

F



UNLESS OTHERWISE SPECIFIED:
 DIMENSIONS ARE IN MILLIMETERS
 WEIGHT ARE IN KILOGRAMM

PART NUMBER / DWG NO.: **RK03**

	NAME	SIGNATURE	DATE	REVISION
DRAWN	M.Rebase		18.03.2015	
APPV'D				

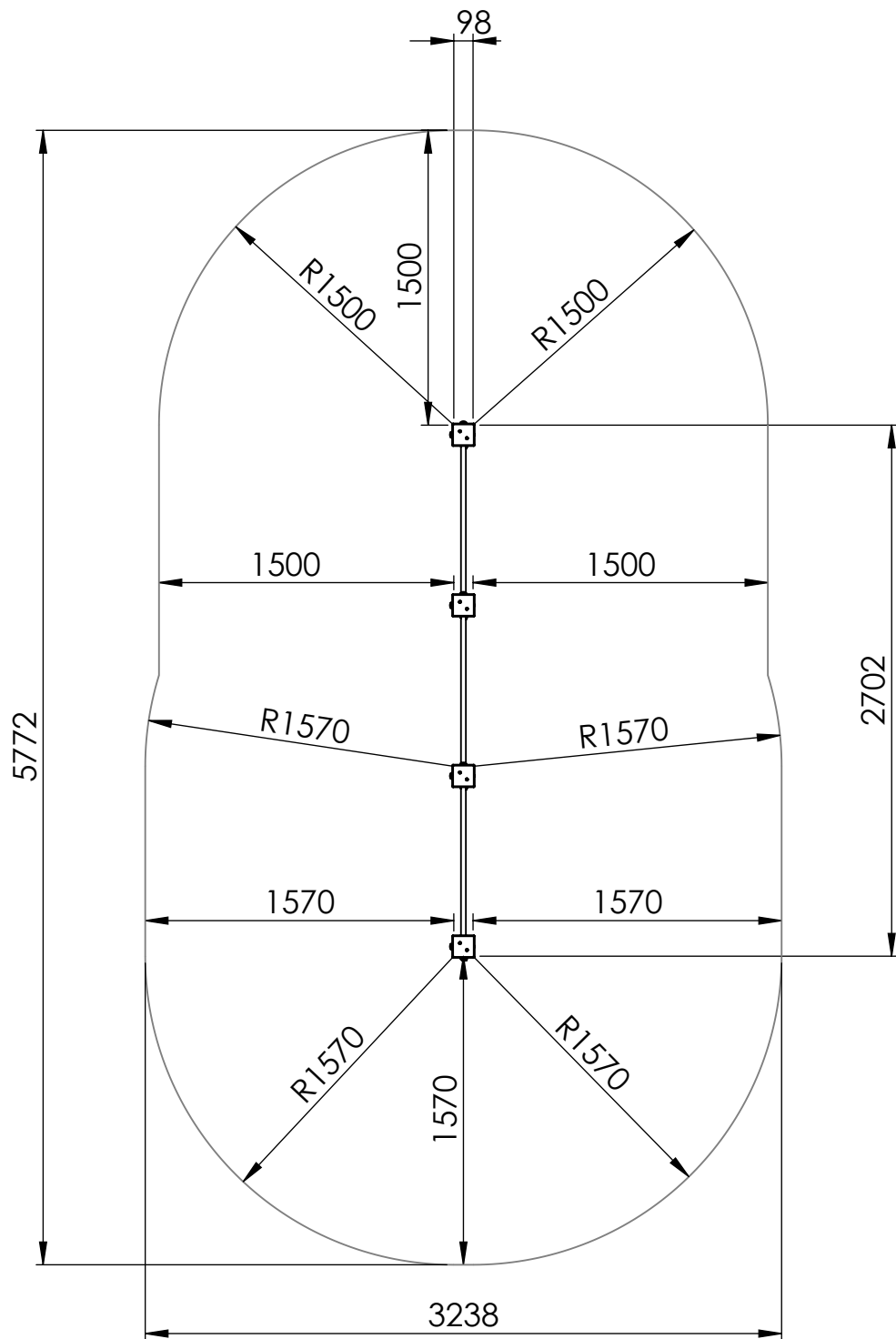
DESCRIPTION:
Trapezes of three heights



Tiptaptap OÜ
 Veetorni 9,
 Jüri alevik, Rae vald,
 75301 Harjumaa

MATERIAL:	wood, metal, plastic	A4
WEIGHT:	SCALE: 1:20	SHEET 1 OF 6

safety area



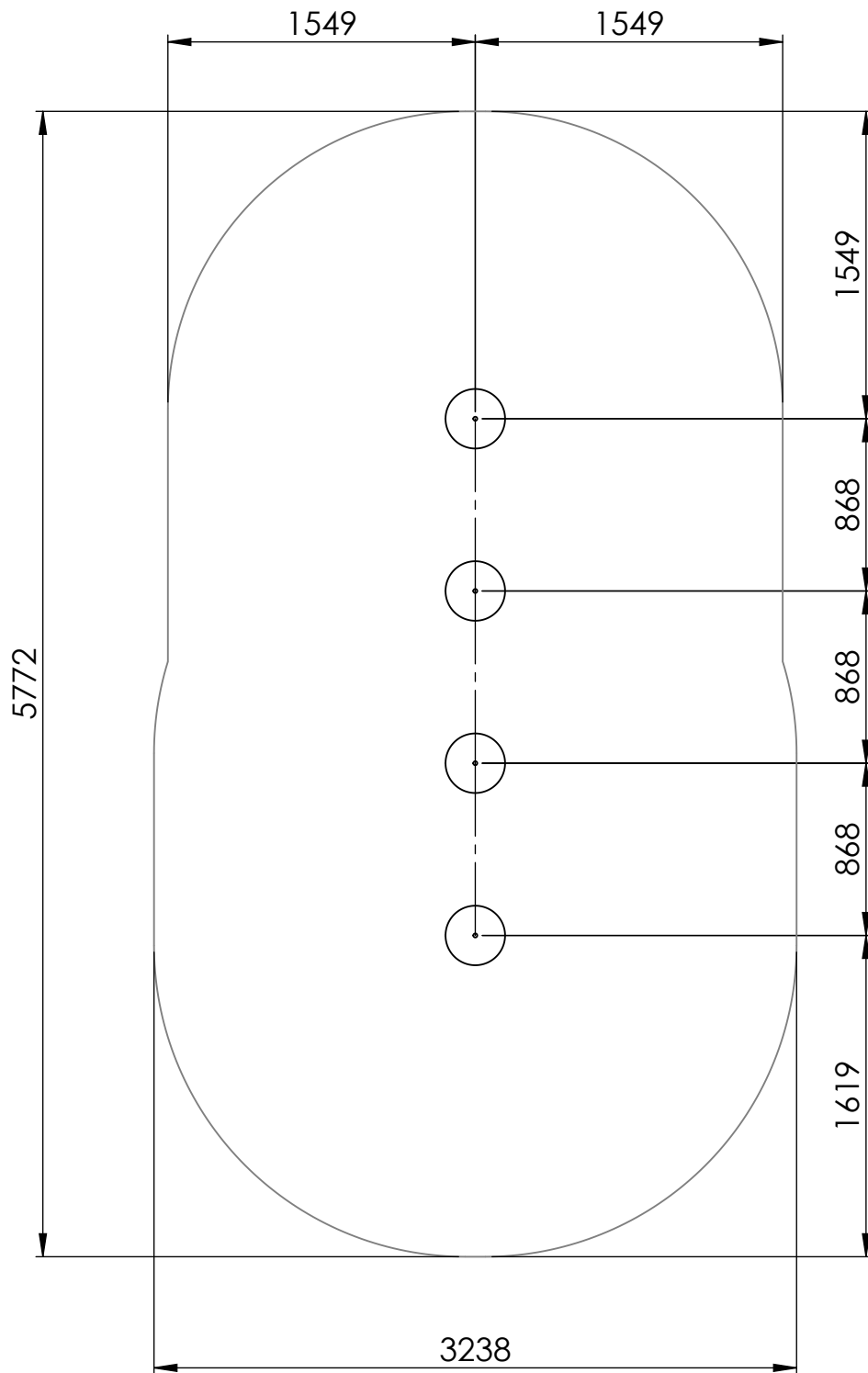
UNLESS OTHERWISE SPECIFIED: DIMENSIONS ARE IN MILLIMETERS WEIGHT ARE IN KILOGRAMM				
	NAME	SIGNATURE	DATE	REVISION
DRAWN	M.Rebase		18.03.2015	
APPV'D				

PART NUMBER / DWG NO.:	RK03
DESCRIPTION:	Trapezes of three heights


Tiptaptap OÜ
 Veetorni 9,
 Jüri alevik, Rae vald,
 75301 Harjumaa

MATERIAL:	wood, metal, plastic	A4
WEIGHT:	SCALE: 1:35	SHEET 2 OF 6

foundation



depth of foundation 600mm

UNLESS OTHERWISE SPECIFIED:
DIMENSIONS ARE IN MILLIMETERS
WEIGHT ARE IN KILOGRAMM

PART NUMBER / DWG NO.:
RK03

	NAME	SIGNATURE	DATE	REVISION
DRAWN	M.Rebase		18.03.2015	
APPV'D				

DESCRIPTION:
Trapezes of three heights


Tiptap OÜ
 Veetorni 9,
 Jüri alevik, Rae vald,
 75301 Harjumaa

MATERIAL:	wood, metal, plastic	A4
WEIGHT:	SCALE: 1:35	SHEET 3 OF 6

A

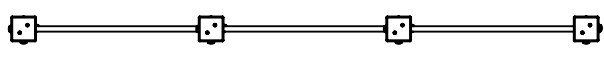
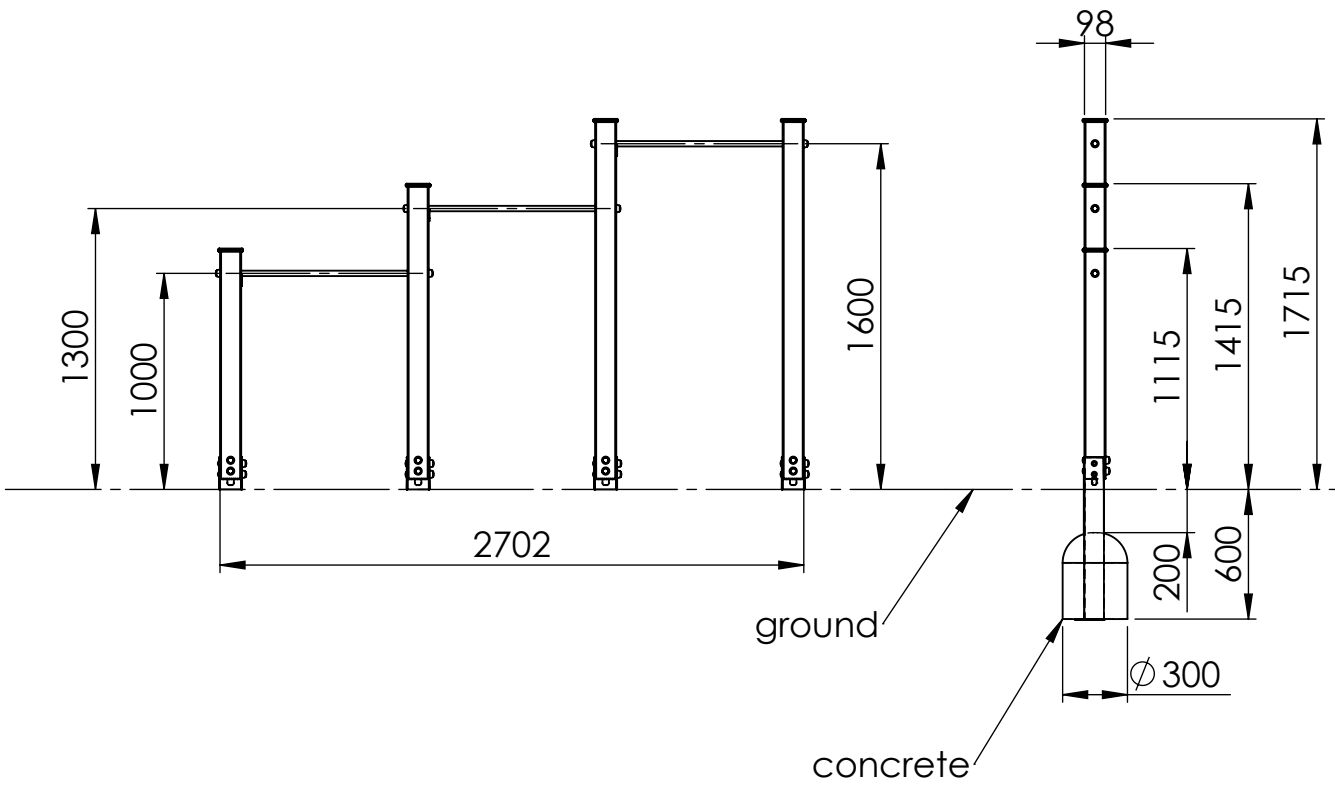
B

C

D

E

F



UNLESS OTHERWISE SPECIFIED: DIMENSIONS ARE IN MILLIMETERS WEIGHT ARE IN KILOGRAMM				
	NAME	SIGNATURE	DATE	REVISION
DRAWN	M.Rebase		18.03.2015	
APPV'D				

PART NUMBER / DWG NO.: **RK03**

DESCRIPTION:
Trapezes of three heights



Tiptiptap OÜ
Veetorni 9,
Jüri alevik, Rae vald,
75301 Harjumaa

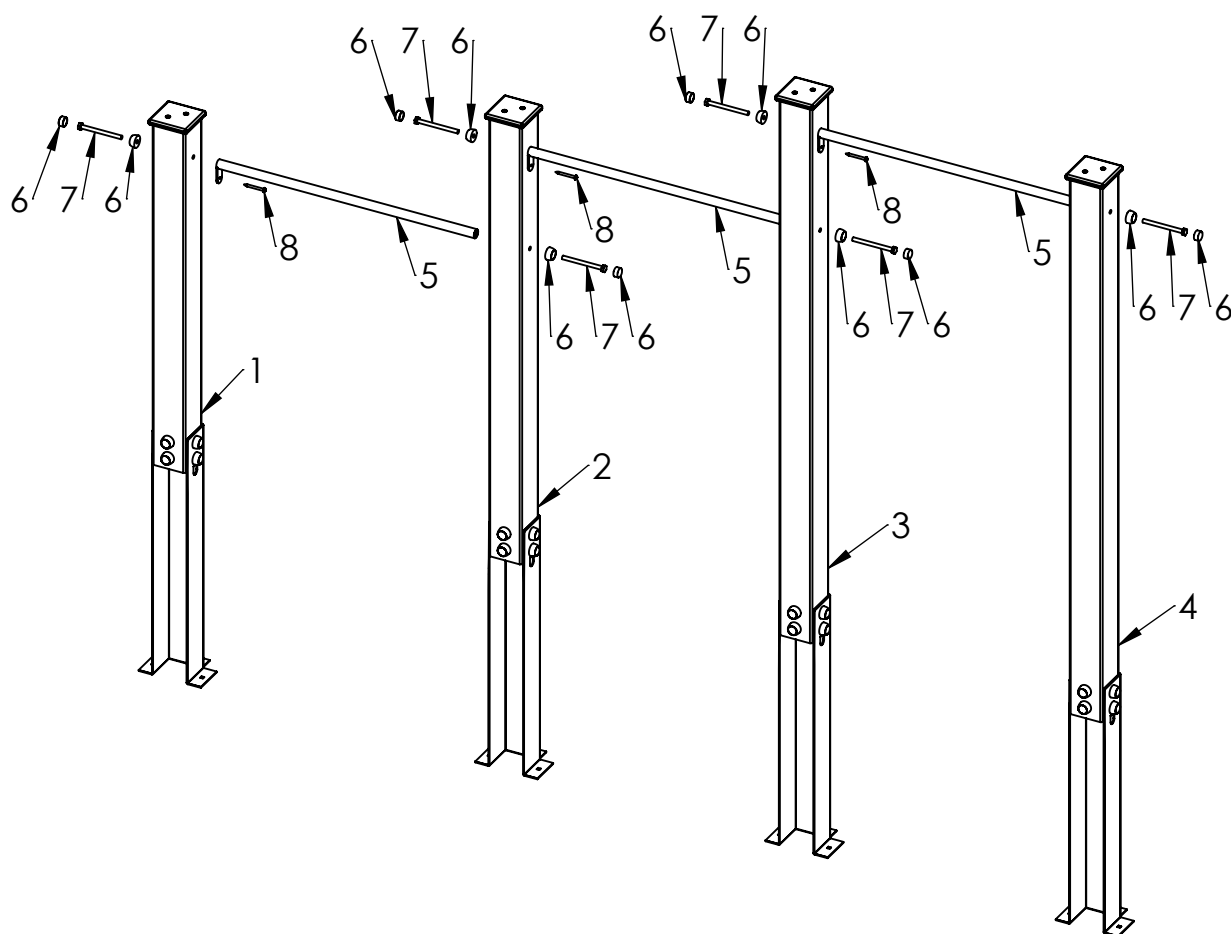
MATERIAL:	wood, metal, plastic	A4
WEIGHT:	SCALE: 1:35	SHEET 4 OF 6

A

B

C

D



ITEM NO.	PART NUMBER	DESCRIPTION	QTY.
1	post 98x98x1050, 1 hole Ø10,5	Laminated wood	1
2	post 98x98x1350, 2 holes Ø10,5	Laminated wood	1
3	post 98x98x1650, 2 holes Ø10,5	Laminated wood	1
4	post 98x98x1650, 1 hole Ø10,5	Laminated wood	1
5	guardrail Ø25x770	painted steel	3
6	nut cover with cap	plastic	6
7	bolt DIN933 M10x120	galvanized steel	6
8	screw DIN7996 6x60	galvanized steel	3

UNLESS OTHERWISE SPECIFIED:
DIMENSIONS ARE IN MILLIMETERS
WEIGHT ARE IN KILOGRAMM

PART NUMBER / DWG NO.:

RK03

	NAME	SIGNATURE	DATE	REVISION
DRAWN	M.Rebase		18.03.2015	
APPV'D				

DESCRIPTION:

Trapezes of three heights

MATERIAL:

wood, metal, plastic

A4

WEIGHT:

SCALE: 1:20

SHEET 5 OF 6



Tiptiptap OÜ

Tiptiptap OÜ
Veetorni 9,
Jüri alevik, Rae vald,
75301 Harjumaa

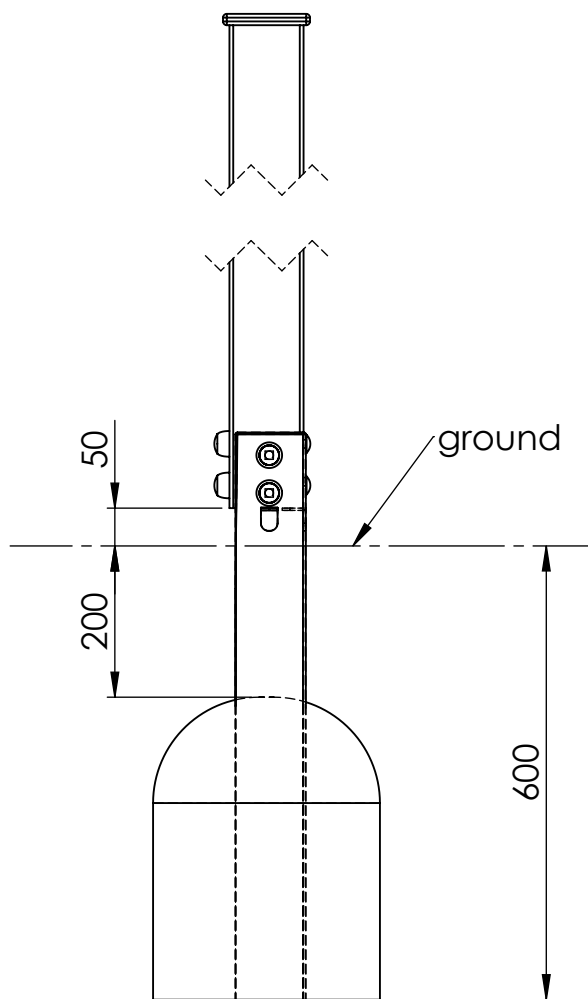
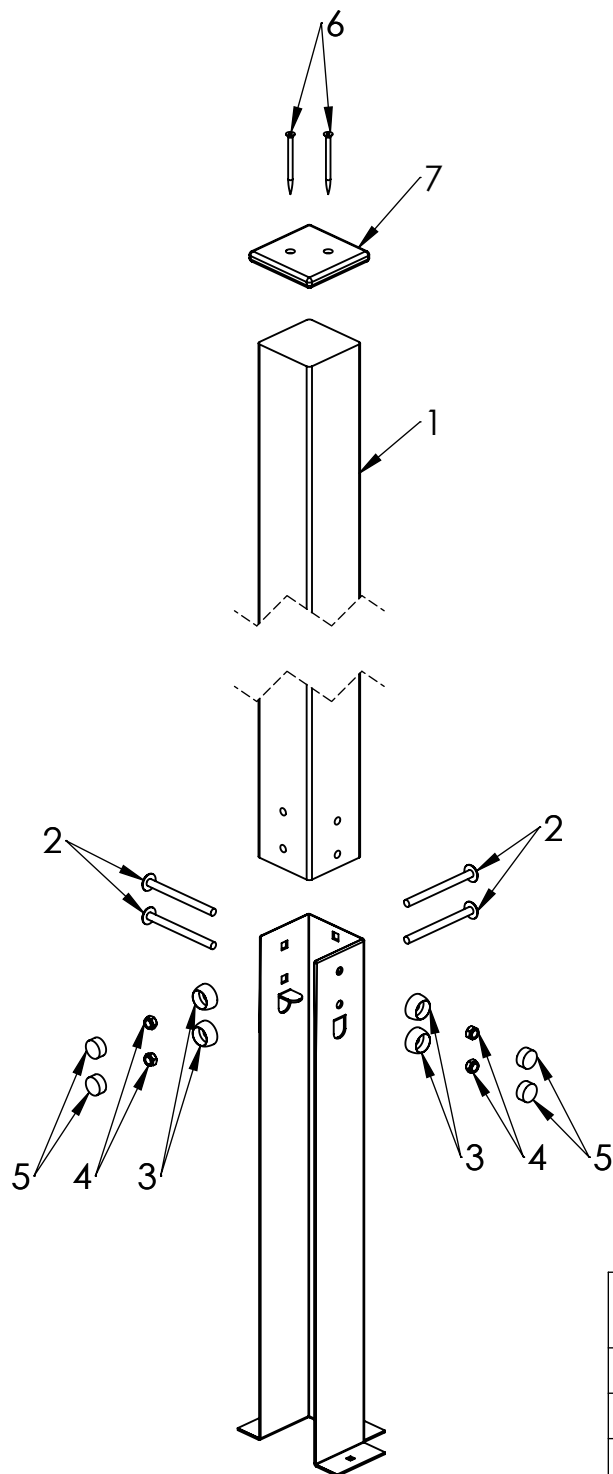
A

B

C

D

E



ITEM NO.	PART NUMBER
1	post 98x98
2	bolt DIN603 M10x120
3	nut cover M10
4	nut DIN985 M10
5	nut cover cap M10
6	woodscrew 6 x 90
7	plastic cap 115x115
8	ground fixture
9	concrete d.300

UNLESS OTHERWISE SPECIFIED:
DIMENSIONS ARE IN MILLIMETERS
WEIGHT ARE IN KILOGRAMM

PART NUMBER / DWG NO.:

RK03

	NAME	SIGNATURE	DATE	REVISION
DRAWN	M.Rebase		18.03.2015	
APPV'D				

DESCRIPTION:

Trapezes of three heights
connecting ground fixture to post

MATERIAL:

wood, metal, plastic

A4

WEIGHT:

SCALE: 1:10

SHEET 6 OF 6



Tiptiptap OÜ

Tiptiptap OÜ
Veetorni 9,
Jüri alevik, Rae vald,
75301 Harjumaa