

1

2

3

4

A

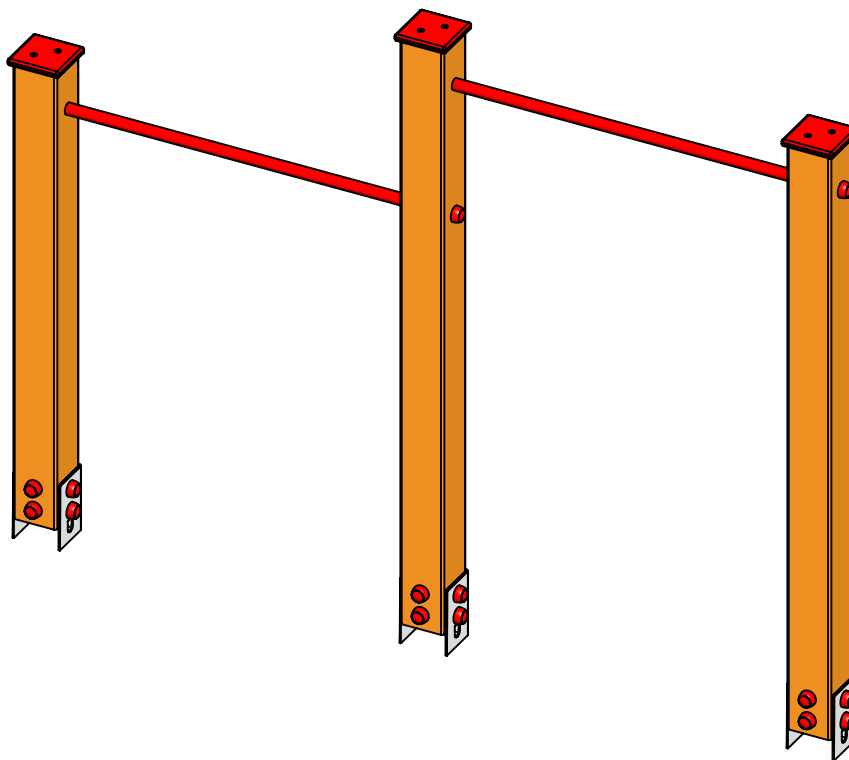
B

C

D

E

F



UNLESS OTHERWISE SPECIFIED:
DIMENSIONS ARE IN MILLIMETERS
WEIGHT ARE IN KILOGRAMM

PART NUMBER / DWG NO.:

RK02

	NAME	SIGNATURE	DATE	REVISION
DRAWN	M.Rebase		29.05.2015	
APPV'D				

DESCRIPTION:

Trapezes of two heights



Tiptaptap OÜ

Tiptaptap OÜ
Veetorni 9,
Jüri alevik, Rae vald,
75301 Harjumaa

MATERIAL:

wood, metal, plastic

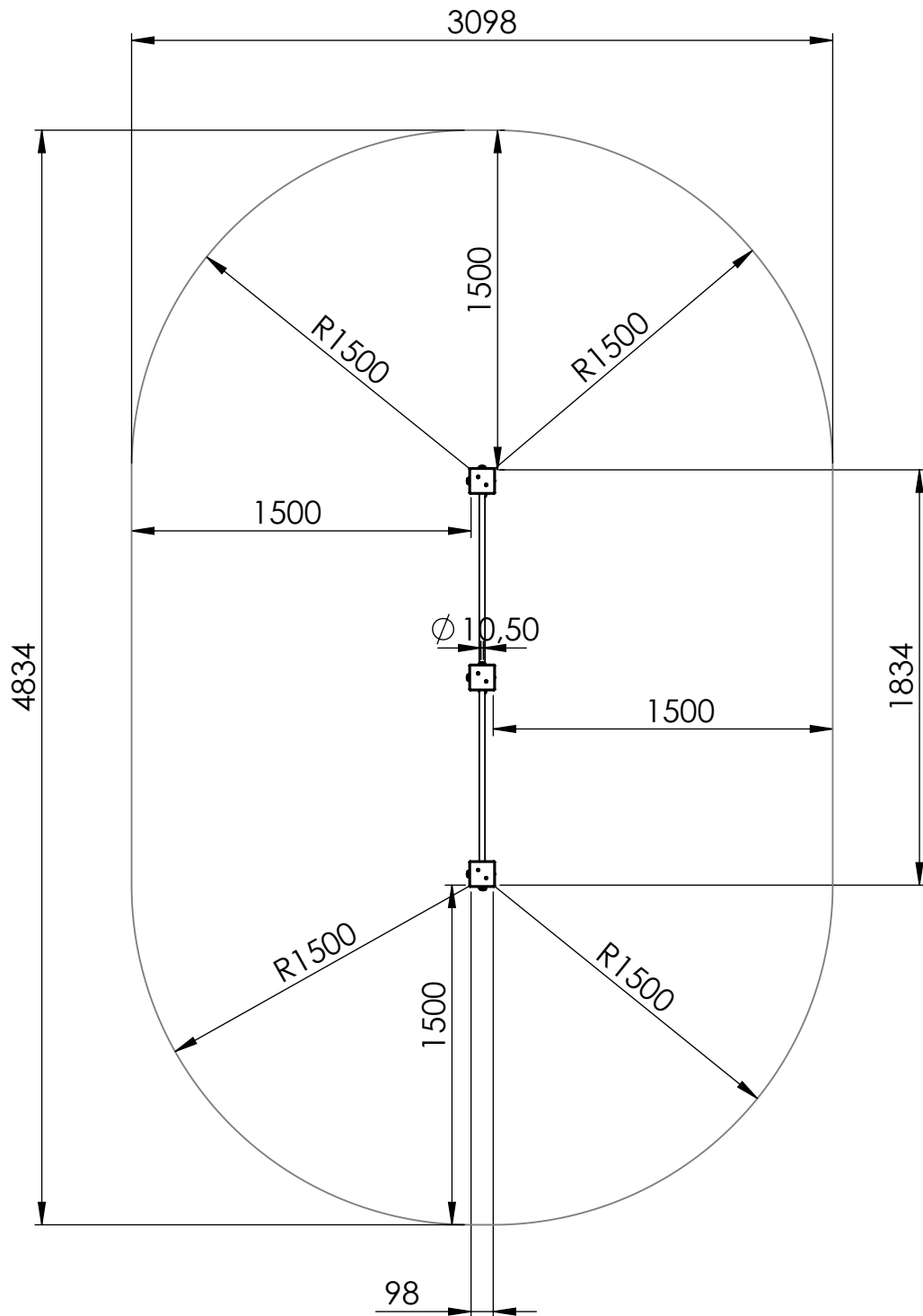
A4

WEIGHT:

SCALE: 1:15

SHEET 1 OF 6

safety area



UNLESS OTHERWISE SPECIFIED:
DIMENSIONS ARE IN MILLIMETERS
WEIGHT ARE IN KILOGRAMM

PART NUMBER / DWG NO.:

RK02

	NAME	SIGNATURE	DATE	REVISION
DRAWN	M.Rebase		29.05.2015	
APPV'D				

DESCRIPTION:

Trapezes of two heights



Tiptaptap OÜ

Tiptaptap OÜ
Veetorni 9,
Jüri alevik, Rae vald,
75301 Harjumaa

MATERIAL:

wood, metal, plastic

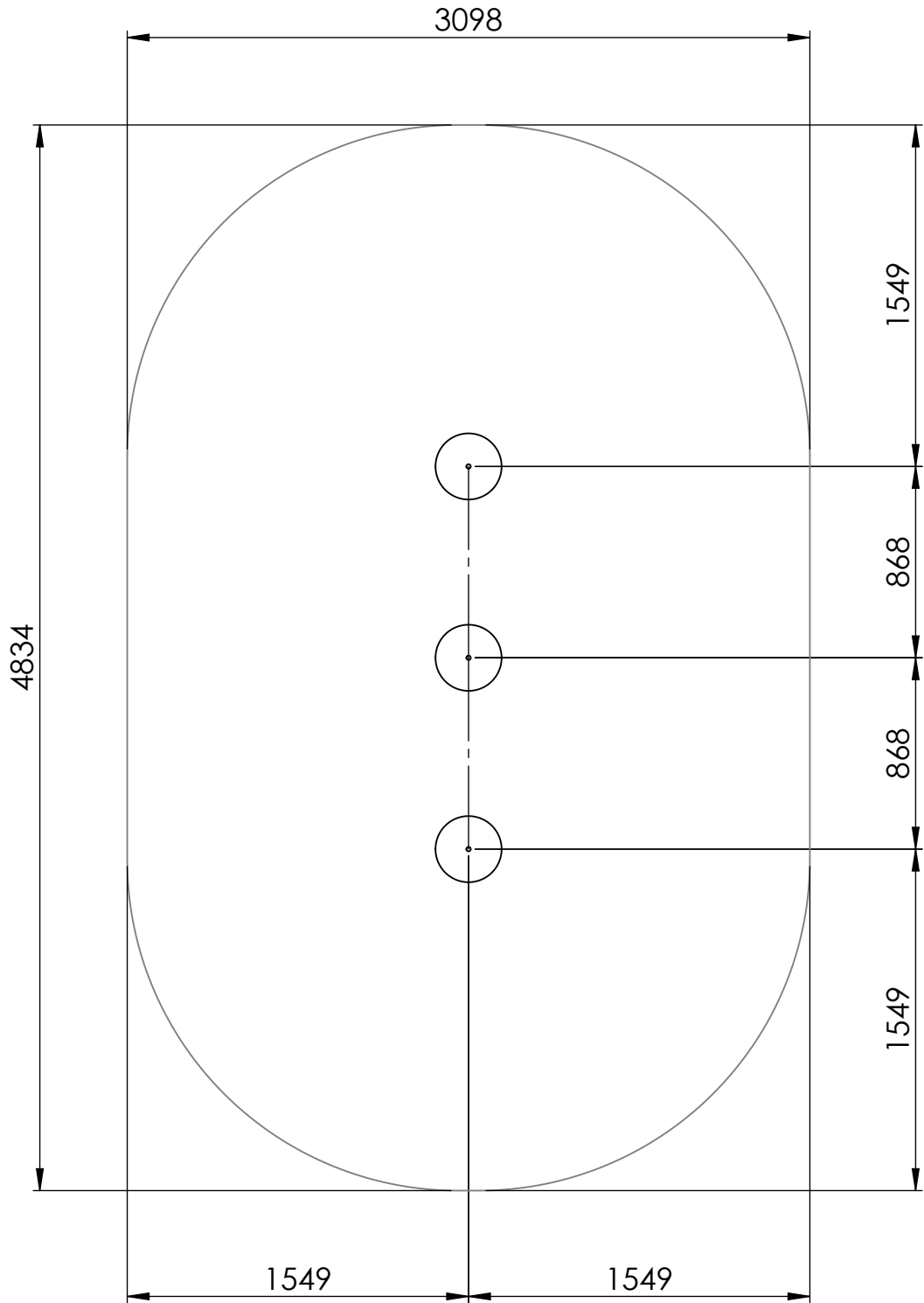
A4

WEIGHT:

SCALE: 1:30

SHEET 2 OF 6

foundation



depth of foundation 600mm

UNLESS OTHERWISE SPECIFIED:
DIMENSIONS ARE IN MILLIMETERS
WEIGHT ARE IN KILOGRAMM

PART NUMBER / DWG NO.:

RK02

	NAME	SIGNATURE	DATE	REVISION
DRAWN	M.Rebase		29.05.2015	
APPV'D				

DESCRIPTION:

Trapezes of two heights



Tiptaptap OÜ

Tiptaptap OÜ
Veetorni 9,
Jüri alevik, Rae vald,
75301 Harjumaa

MATERIAL:

wood, metal, plastic

A4

WEIGHT:

SCALE: 1:30

SHEET 3 OF 6

A

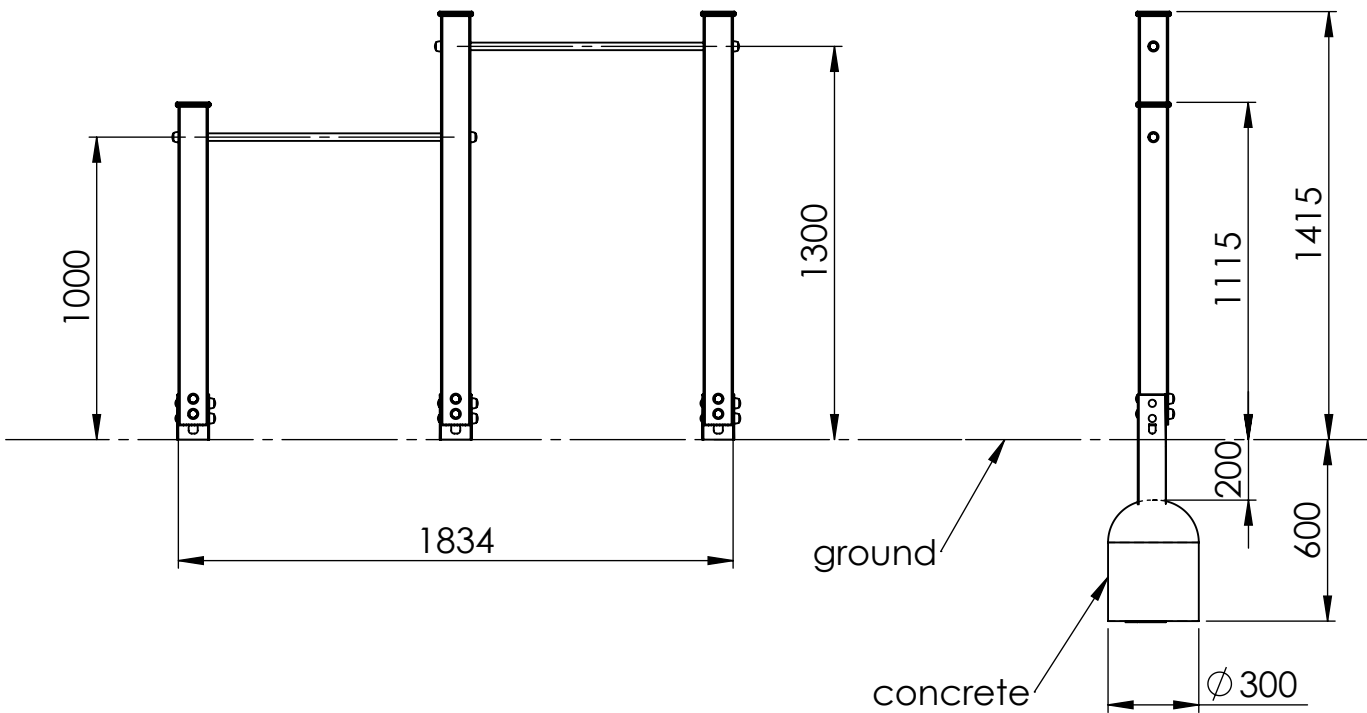
B

C

D

E

F



UNLESS OTHERWISE SPECIFIED: DIMENSIONS ARE IN MILLIMETERS WEIGHT ARE IN KILOGRAMM				
	NAME	SIGNATURE	DATE	REVISION
DRAWN	M.Rebase		29.05.2015	
APPV'D				

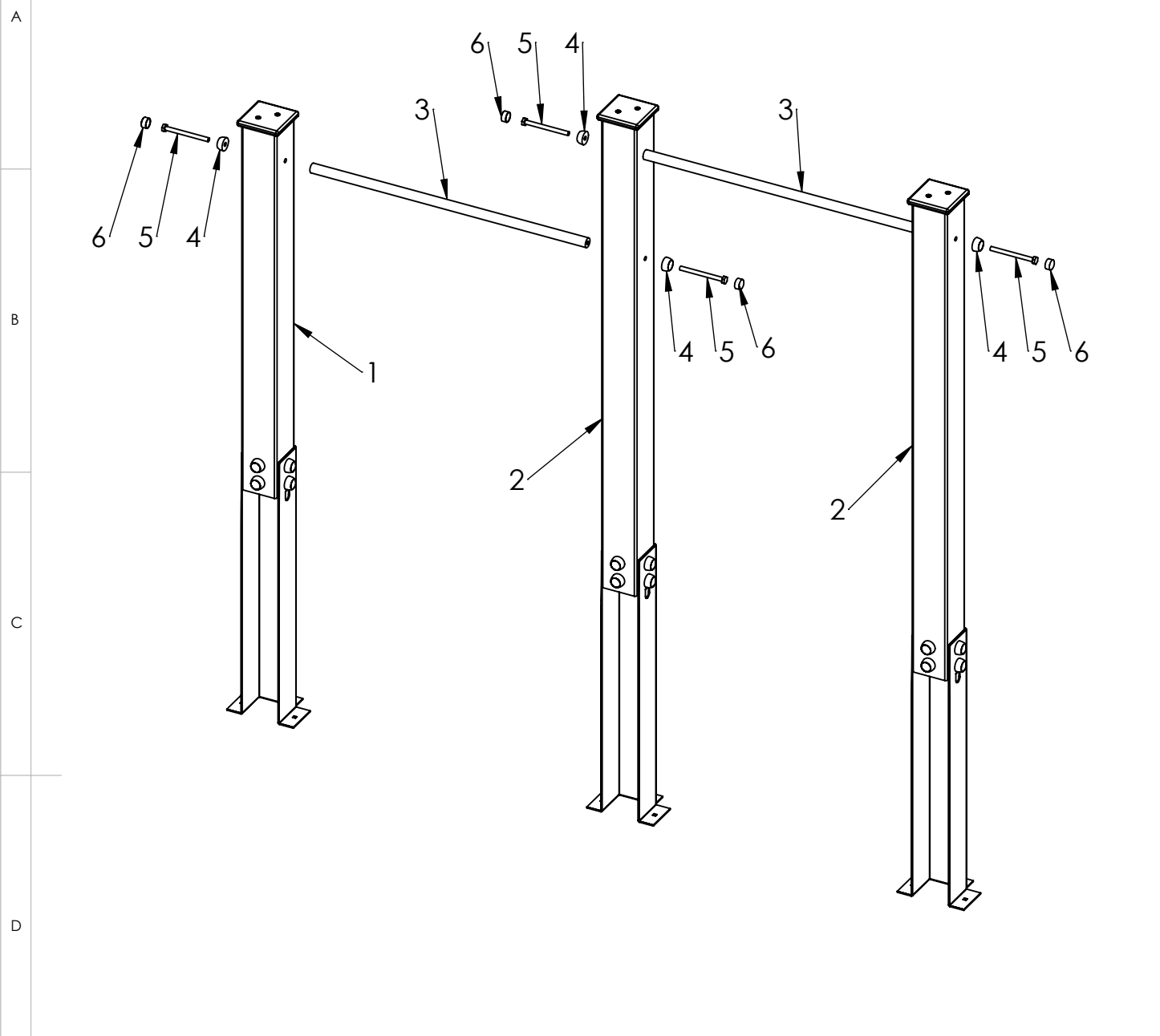
PART NUMBER / DWG NO.: **RK02**

DESCRIPTION:
Trapezes of two heights



Tiptiptap OÜ
Veetorni 9,
Jüri alevik, Rae vald,
75301 Harjumaa

MATERIAL:	wood, metal, plastic	A4
WEIGHT:	SCALE: 1:25	SHEET 4 OF 6



ITEM NO.	PART NUMBER	DESCRIPTION	QTY.
1	post 98x98x1050	laminated wood	1
2	post 98x98x1350	laminated wood	2
3	tube \varnothing 25x770	painted steel	2
4	nut cover M10	PE plastic	16
5	bolt DIN933 M10x120	galvanized steel	4
6	nut cover cap M10	PE plastic	16

UNLESS OTHERWISE SPECIFIED:
DIMENSIONS ARE IN MILLIMETERS
WEIGHT ARE IN KILOGRAMM

PART NUMBER / DWG NO.:

RK02

	NAME	SIGNATURE	DATE	REVISION
DRAWN	M.Rebase		29.05.2015	
APPV'D				

DESCRIPTION:

Trapezes of two heights

MATERIAL:

wood, metal, plastic

A4

WEIGHT:

SCALE: 1:15

SHEET 5 OF 6



Tiptiptap OÜ

Tiptiptap OÜ
Veetorni 9,
Jüri alevik, Rae vald,
75301 Harjumaa

A

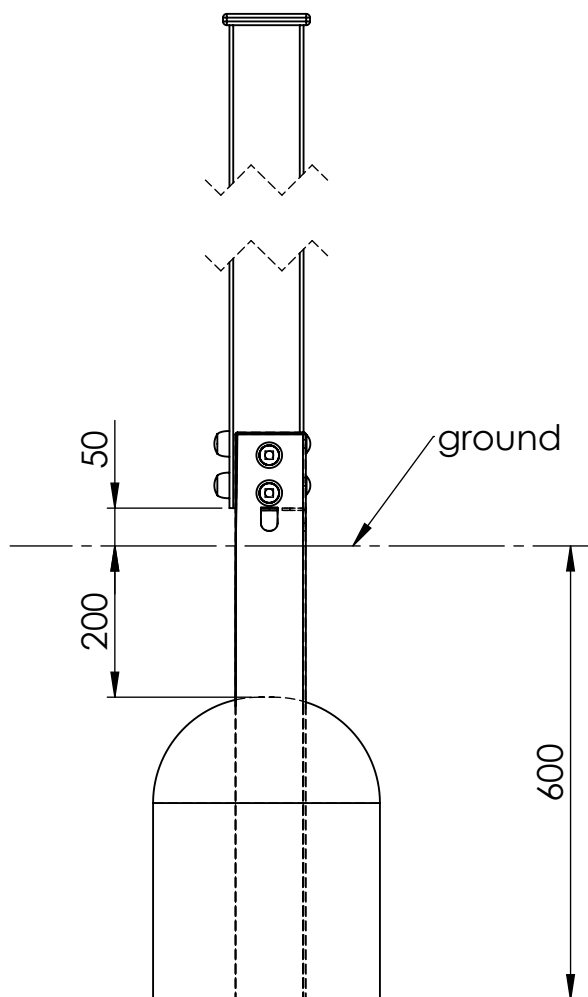
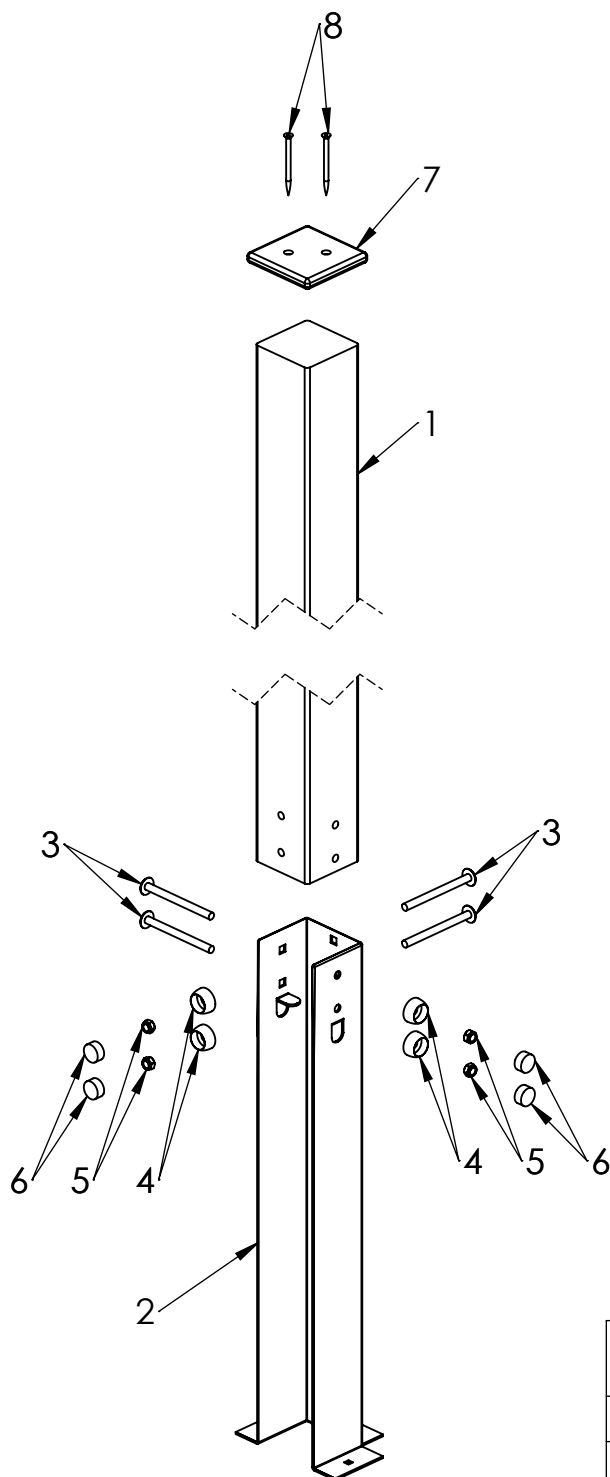
B

C

D

E

F



ITEM NO.	PART NUMBER
1	post 98x98
2	ground fixture
3	bolt DIN603 M10x120
4	nut cover M10
5	nut DIN985 M10
6	nut cover cap M10
7	plastic cap 115x115
8	woodscrew 6 x 90

UNLESS OTHERWISE SPECIFIED:
DIMENSIONS ARE IN MILLIMETERS
WEIGHT ARE IN KILOGRAMM

	NAME	SIGNATURE	DATE	REVISION
DRAWN	M.Rebase		29.05.2015	
APPV'D				

PART NUMBER / DWG NO.:

RK02

DESCRIPTION:

Trapezes of two heights
connecting ground fixture to post

MATERIAL:

wood, metal, plastic

A4

WEIGHT:

SCALE: 1:10

SHEET 6 OF 6



Tiptiptap OÜ

Tiptiptap OÜ
Veetorni 9,
Jüri alevik, Rae vald,
75301 Harjumaa