

A

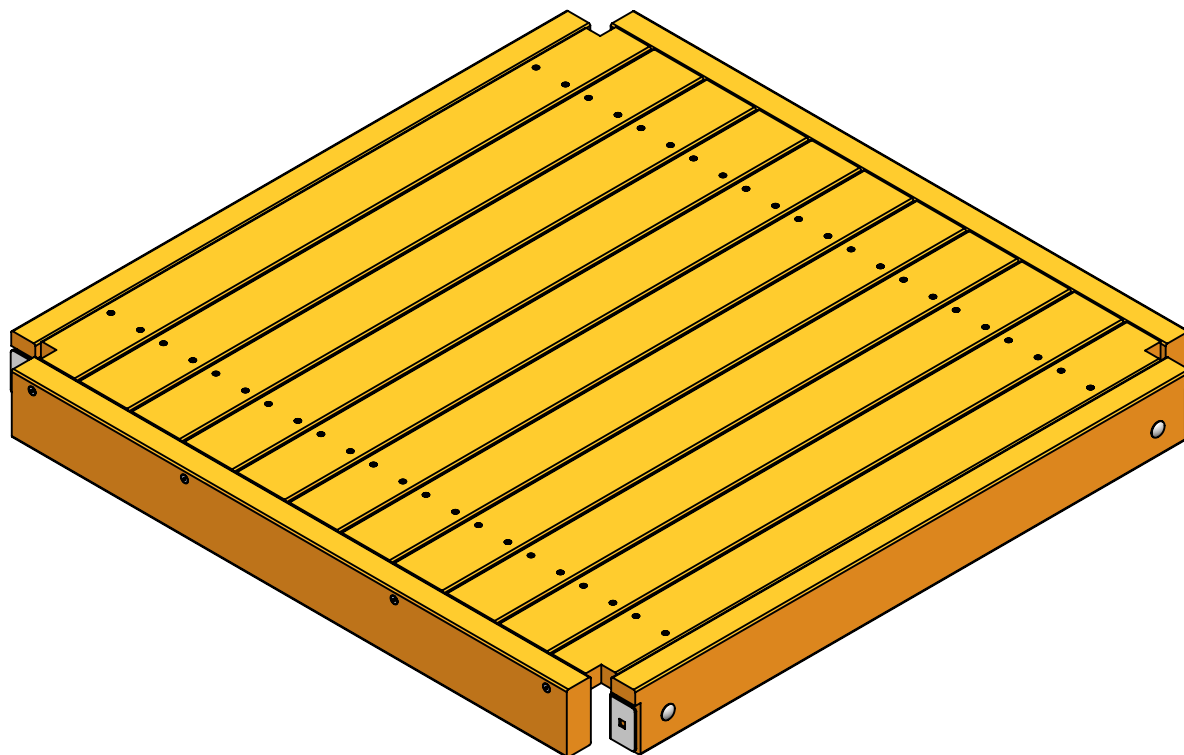
B

C

D

E

F



UNLESS OTHERWISE SPECIFIED:
DIMENSIONS ARE IN MILLIMETERS
WEIGHT ARE IN KILOGRAMM

PART NUMBER / DWG NO.:

	NAME	SIGNATURE	DATE	REVISION
DRAWN	M.Rebase		26.10.2014	
APPV'D				

DESCRIPTION:

Platvorm laiale liurennile (1m)



Tiptaptap OÜ

Tiptaptap OÜ
Veetorni 9,
Jüri alevik, Rae vald,
75301 Harjumaa

MATERIAL:

wood, metal

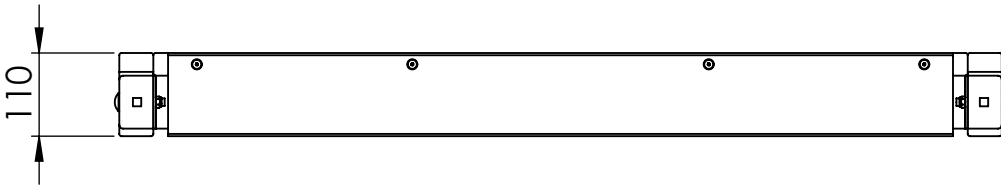
A4

WEIGHT:

SCALE: 1:10

SHEET 1 OF 6

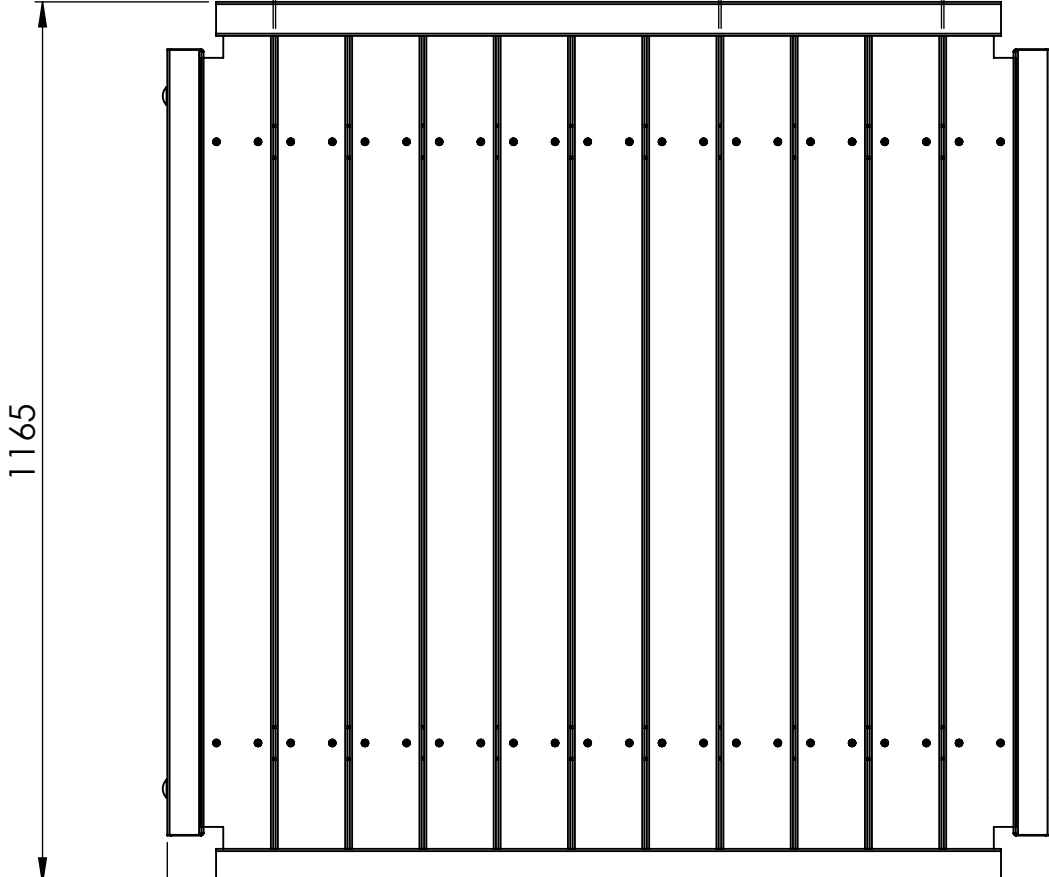
A



B



C



D

E

F

UNLESS OTHERWISE SPECIFIED: DIMENSIONS ARE IN MILLIMETERS WEIGHT ARE IN KILOGRAMM				
	NAME	SIGNATURE	DATE	REVISION
DRAWN	M.Rebase		26.10.2014	
APPV'D				

PART NUMBER / DWG NO.:

DESCRIPTION:
Platvorm laiale liurennile (1m)



Tiptaptap OÜ
Veetorni 9,
Jüri alevik, Rae vald,
75301 Harjumaa

MATERIAL:	wood, metal	A4
WEIGHT:	SCALE: 1:10	SHEET 2 OF 6

A

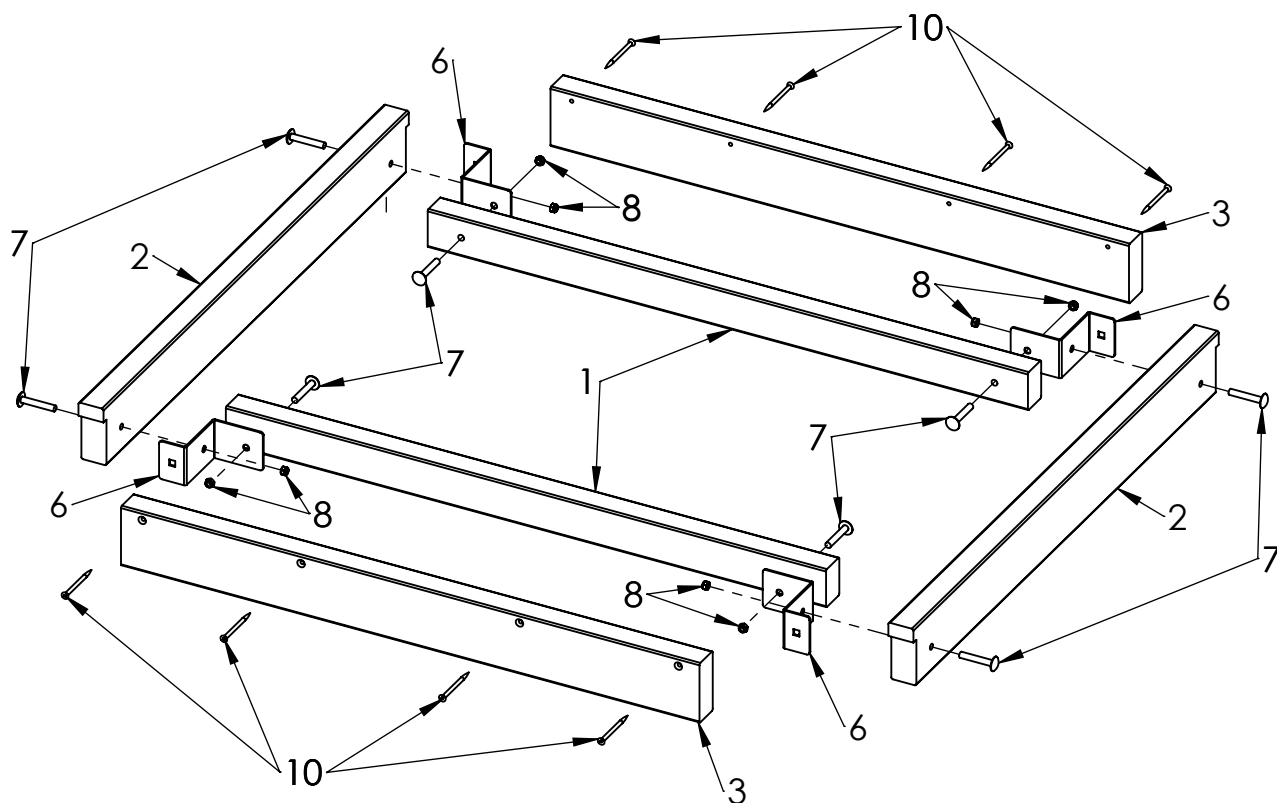
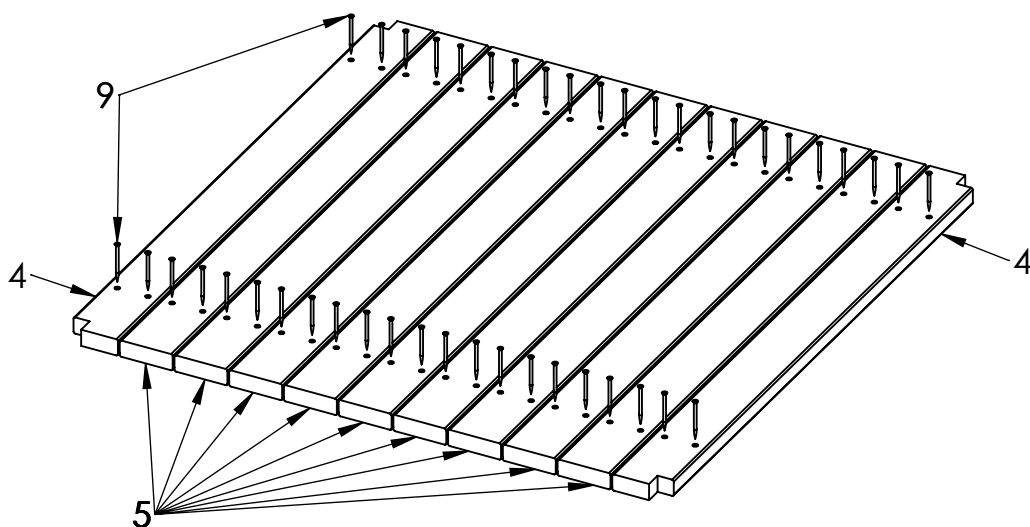
B

C

D

E

F



UNLESS OTHERWISE SPECIFIED:
DIMENSIONS ARE IN MILLIMETERS
WEIGHT ARE IN KILOGRAMM

PART NUMBER / DWG NO.:

	NAME	SIGNATURE	DATE	REVISION
DRAWN	M.Rebase		26.10.2014	
APPV'D				

DESCRIPTION:

Platvorm laiale liurennile (1m)

MATERIAL:

wood, metal

A4

WEIGHT:

SCALE: 1:12

SHEET 3 OF 6



Tiptaptap OÜ

Tiptaptap OÜ
Veetorni 9,
Jüri alevik, Rae vald,
75301 Harjumaa

1

2

3

4

ITEM NO.	PART NUMBER	QTY.
A 1	board 45x70x1077	2
2	board 45x110x1038 with cutouts	2
3	board 45x110x1038	2
4	board 30x90x1075 with cutouts	2
5	board 30x95x1075	9
6	platform Z-fixture	4
7	bolt DIN603 M10x60	8
B 8	nut DIN985 M8	8
9	woodscrew 4,5 x 70	44
10	woodscrew 6 x 90	8

C

D

E

F

UNLESS OTHERWISE SPECIFIED:
DIMENSIONS ARE IN MILLIMETERS
WEIGHT ARE IN KILOGRAMM

PART NUMBER / DWG NO.:

	NAME	SIGNATURE	DATE	REVISION
DRAWN	M.Rebase		26.10.2014	
APPV'D				

DESCRIPTION:

Platvorm laiale liurennile (1m)



Tiptaptap OÜ

Tiptaptap OÜ
Veetorni 9,
Jüri alevik, Rae vald,
75301 Harjumaa

MATERIAL:

wood, metal

A4

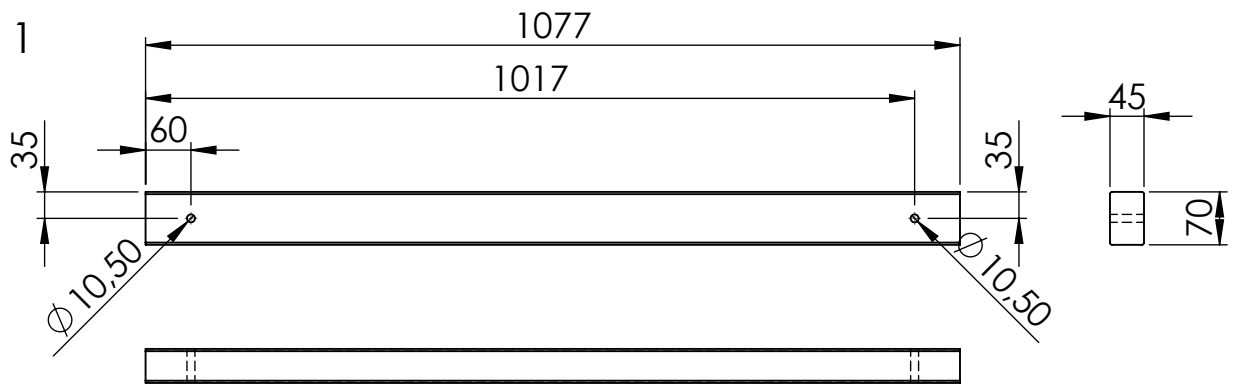
WEIGHT:

SCALE: 1:12

SHEET 4 OF 6

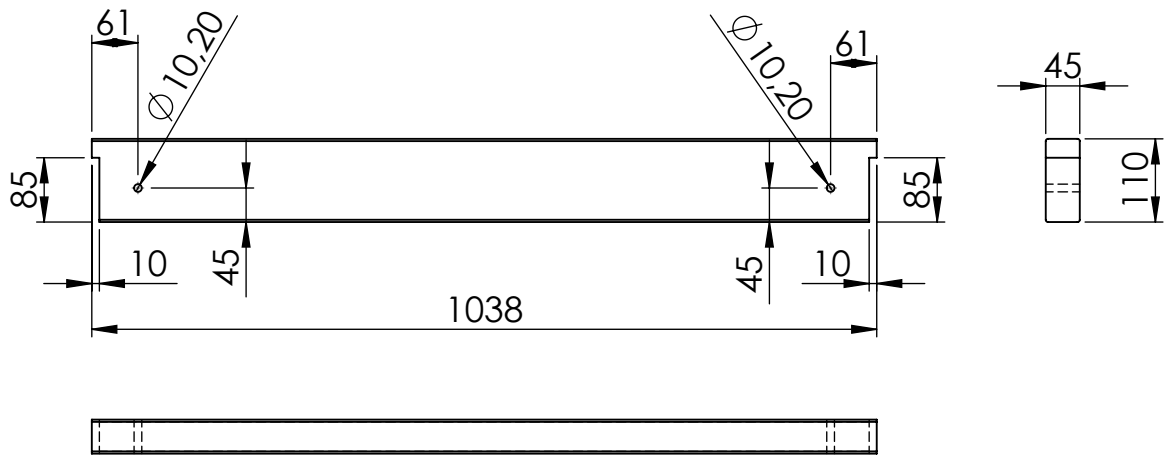
A

Detail 1



B

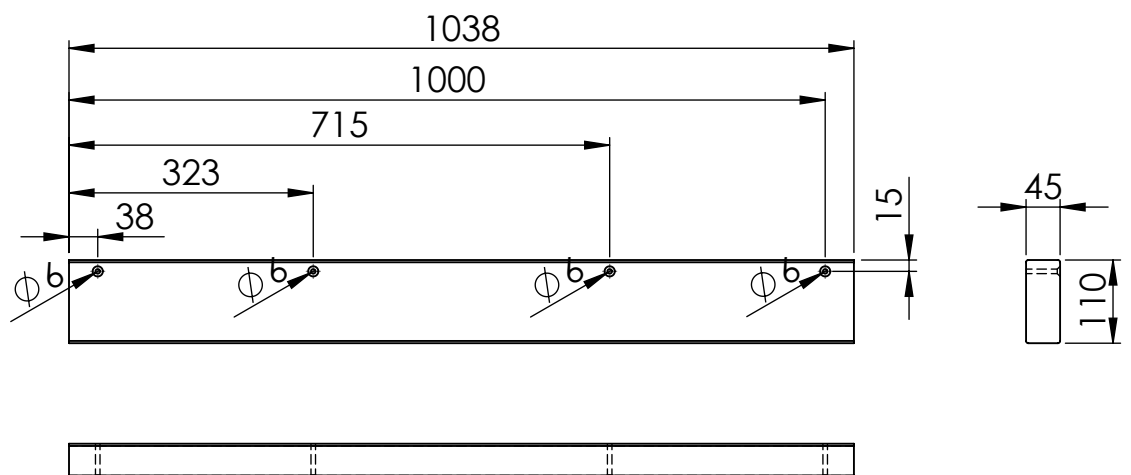
Detail 2



C

D

Detail 3



E

F

UNLESS OTHERWISE SPECIFIED:
DIMENSIONS ARE IN MILLIMETERS
WEIGHT ARE IN KILOGRAMM

PART NUMBER / DWG NO.:

	NAME	SIGNATURE	DATE	REVISION
DRAWN	M.Rebase		26.10.2014	
APPV'D				

DESCRIPTION:

Platvorm laiale liurennile (1m)



Tiptap OÜ

Tiptap OÜ
Veetorni 9,
Jüri alevik, Rae vald,
75301 Harjumaa

MATERIAL:

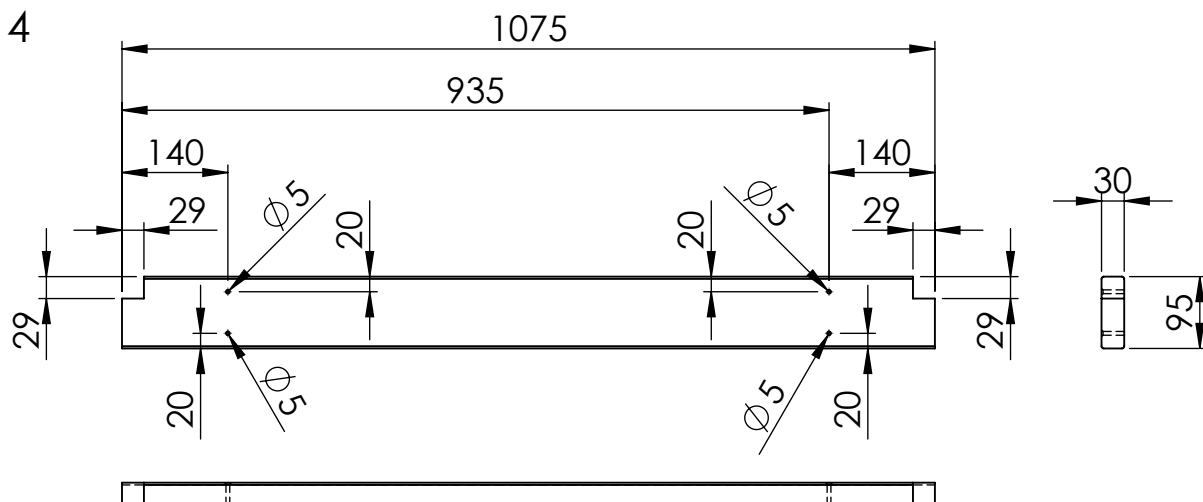
wood, metal

A4

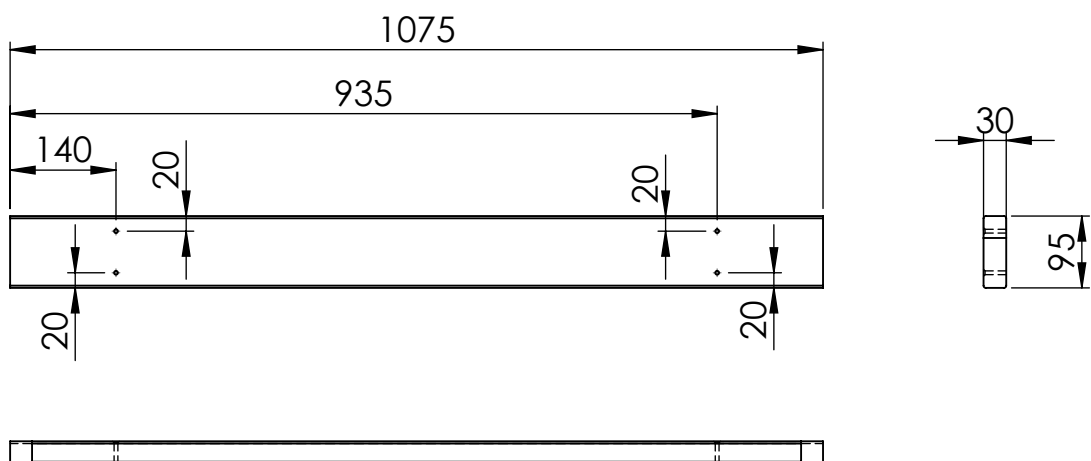
WEIGHT:

SCALE: 1:10

SHEET 5 OF 6

A
Detail 4

B

C
Detail 5

D

E

UNLESS OTHERWISE SPECIFIED:
DIMENSIONS ARE IN MILLIMETERS
WEIGHT ARE IN KILOGRAMM

PART NUMBER / DWG NO.:

	NAME	SIGNATURE	DATE	REVISION
DRAWN	M.Rebase		26.10.2014	
APPV'D				

DESCRIPTION:

Platvorm laiale liurennile (1m)

F



Tiptiptap OÜ

Tiptiptap OÜ
Veetorni 9,
Jüri alevik, Rae vald,
75301 Harjumaa

MATERIAL:

wood, metal

A4

WEIGHT:

SCALE: 1:10

SHEET 6 OF 6