

A

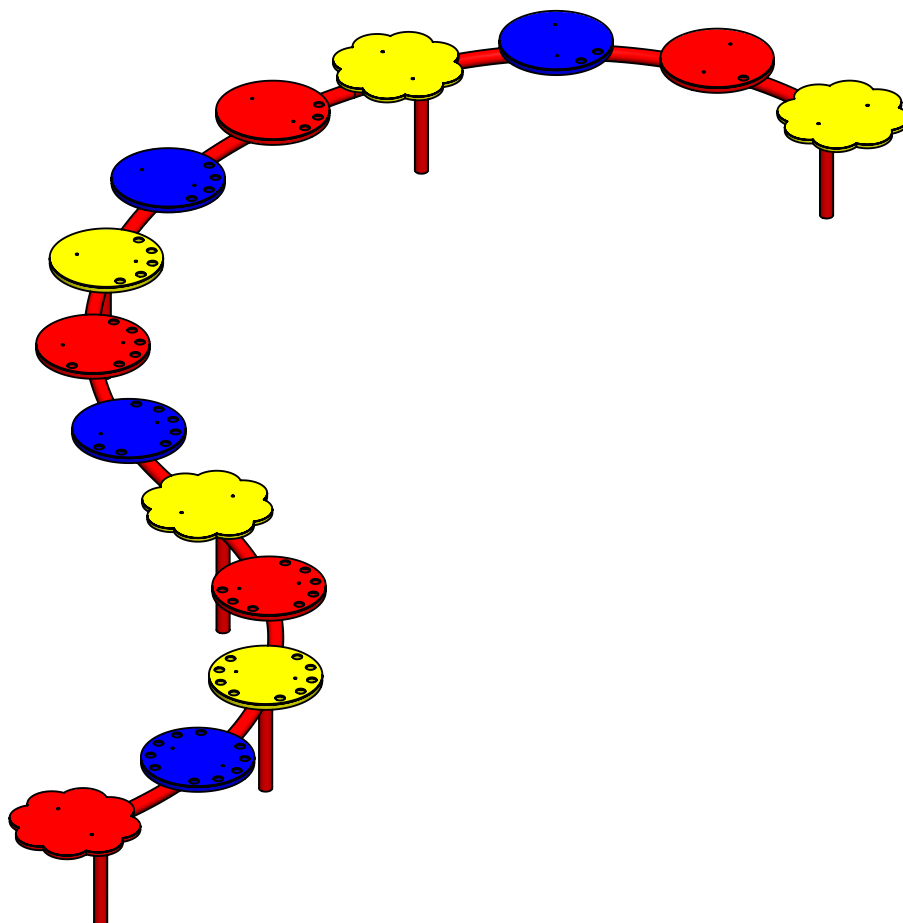
B

C

D

E

F



UNLESS OTHERWISE SPECIFIED:
DIMENSIONS ARE IN MILLIMETERS
WEIGHT ARE IN KILOGRAMM

PART NUMBER / DWG NO.:

PVP10

	NAME	SIGNATURE	DATE	REVISION
DRAWN	M.Rebase		21.07.2014	
APPV'D				

DESCRIPTION:

Spiral beam SNAKE



Tiptaptap OÜ

Tiptaptap OÜ
Veetorni 9,
Jüri alevik, Rae vald,
75301 Harjumaa

MATERIAL:

wood, metal, plastic

A4

WEIGHT:

SCALE: 1:20

SHEET 1 OF 7

safety area

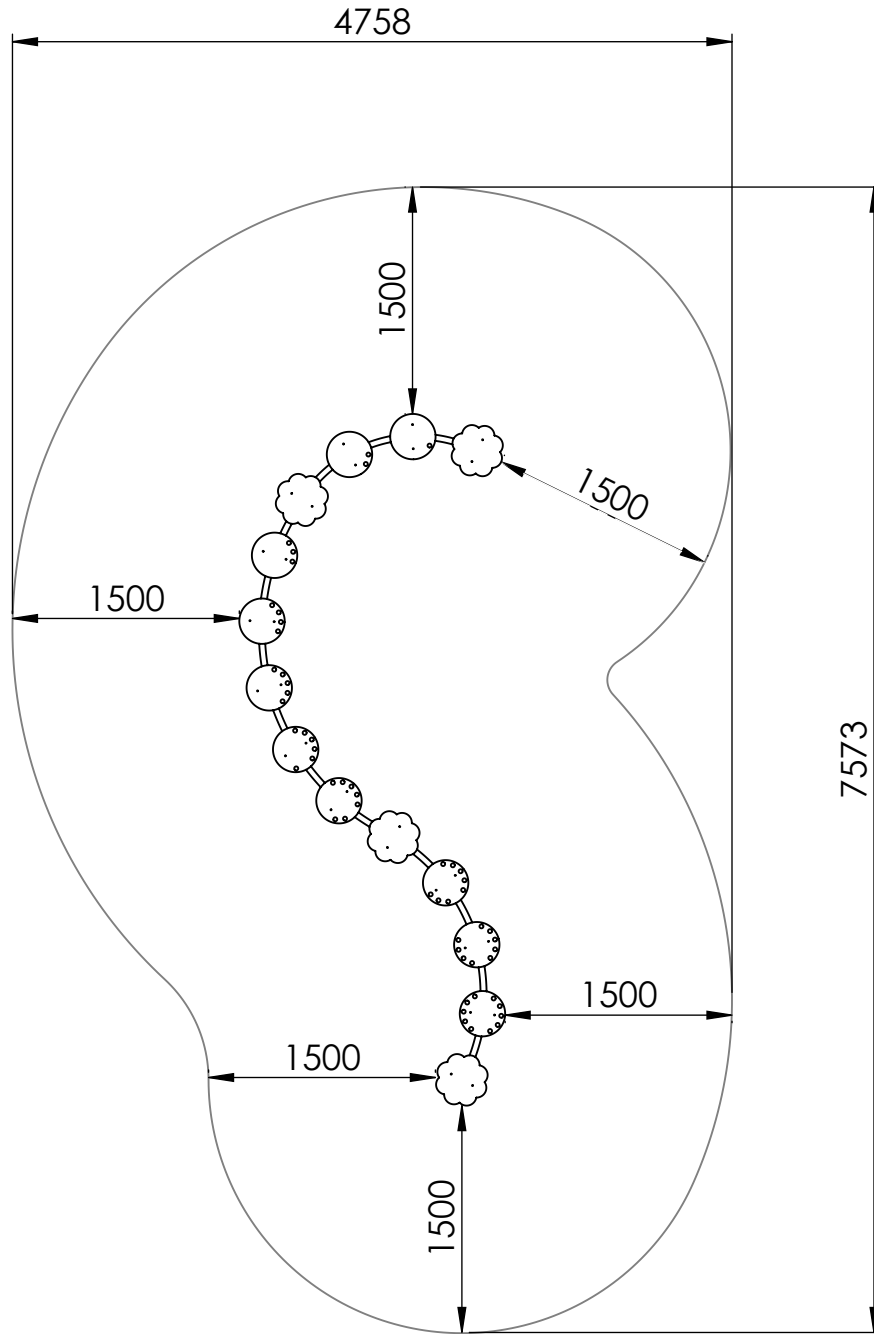
A

B

C

D

E



UNLESS OTHERWISE SPECIFIED:
DIMENSIONS ARE IN MILLIMETERS
WEIGHT ARE IN KILOGRAMM

PART NUMBER / DWG NO.:

PVP10

	NAME	SIGNATURE	DATE	REVISION
DRAWN	M.Rebase		21.07.2014	
APPV'D				

DESCRIPTION:

Spiral beam SNAKE



Tiptaptap OÜ

Tiptaptap OÜ
Veetorni 9,
Jüri alevik, Rae vald,
75301 Harjumaa

MATERIAL:

wood, metal, plastic

A4

WEIGHT:

SCALE: 1:50

SHEET 2 OF 7

foundation

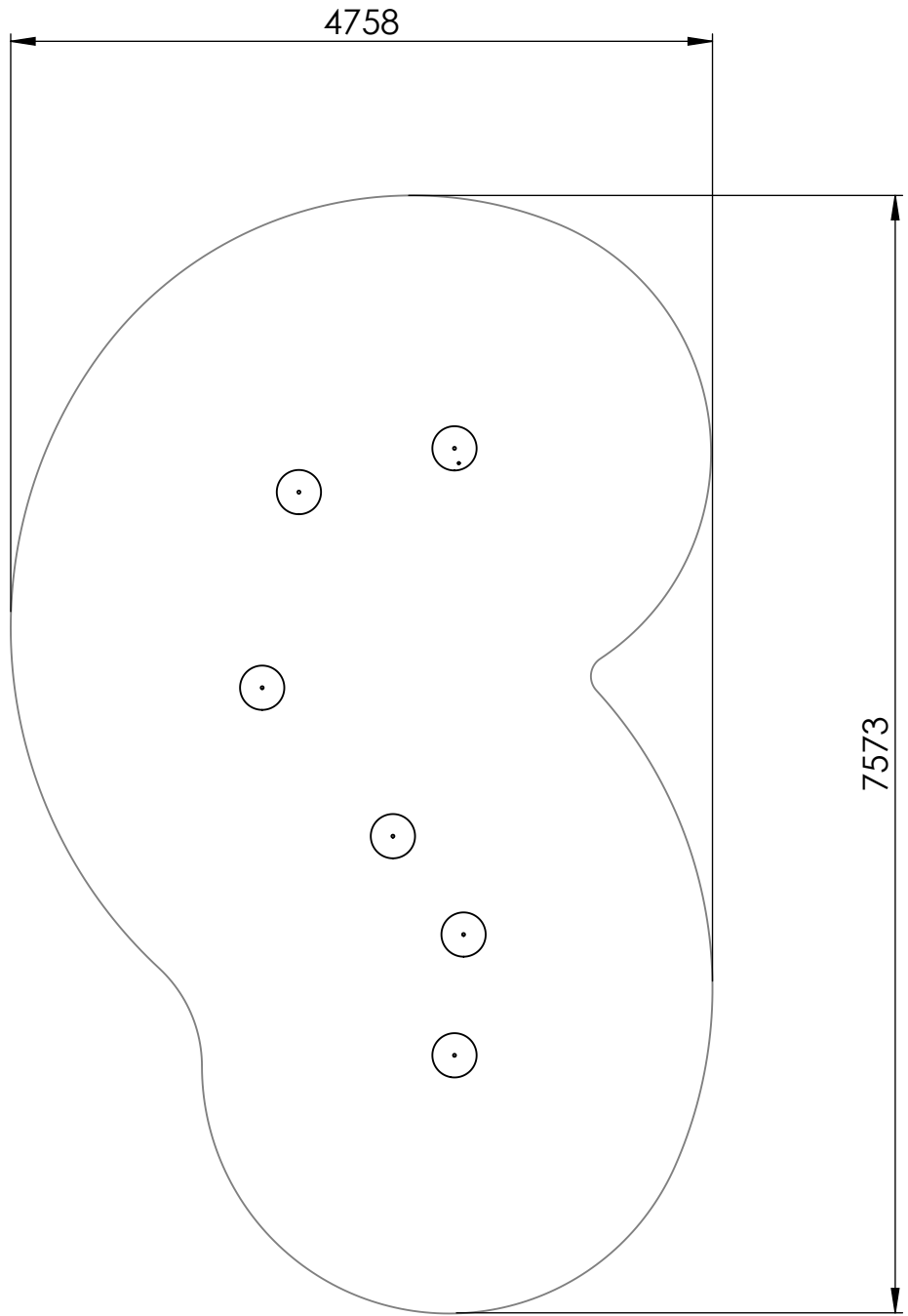
A

B

C

D

E



depth of foundation 500mm

UNLESS OTHERWISE SPECIFIED: DIMENSIONS ARE IN MILLIMETERS WEIGHT ARE IN KILOGRAMM				
	NAME	SIGNATURE	DATE	REVISION
DRAWN	M.Rebase		21.07.2014	
APPV'D				

PART NUMBER / DWG NO.:	PVP10
------------------------	-------

DESCRIPTION:	Spiral beam SNAKE
--------------	-------------------


Tiptiptap OÜ
 Veetorni 9,
 Jüri alevik, Rae vald,
 75301 Harjumaa

MATERIAL:	wood, metal, plastic	A4
WEIGHT:	SCALE: 1:50	SHEET 3 OF 7

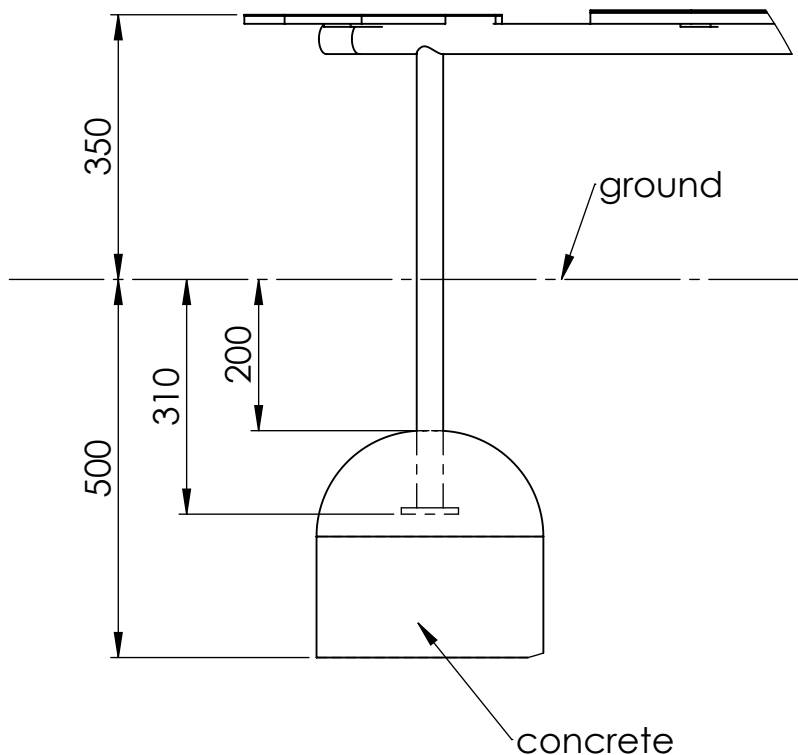
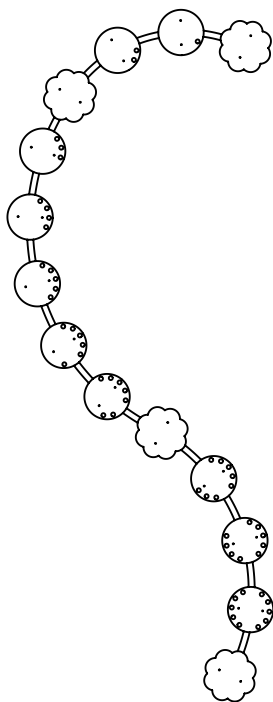
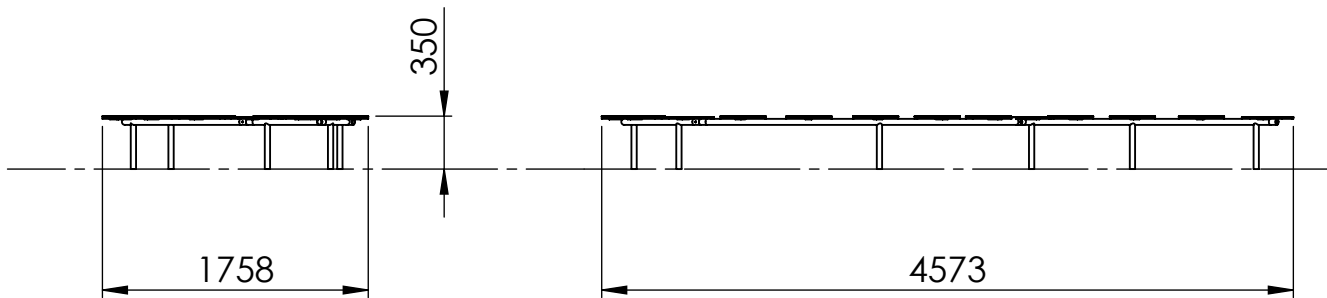
A

B

C

D

E



UNLESS OTHERWISE SPECIFIED:
 DIMENSIONS ARE IN MILLIMETERS
 WEIGHT ARE IN KILOGRAMM

PART NUMBER / DWG NO.:

PVP10

	NAME	SIGNATURE	DATE	REVISION
DRAWN	M.Rebase		21.07.2014	
APPV'D				

DESCRIPTION:

Spiral beam SNAKE



Tiptaptap OÜ

Tiptaptap OÜ
 Veetorni 9,
 Jüri alevik, Rae vald,
 75301 Harjumaa

MATERIAL:

wood, metal, plastic

A4

WEIGHT:

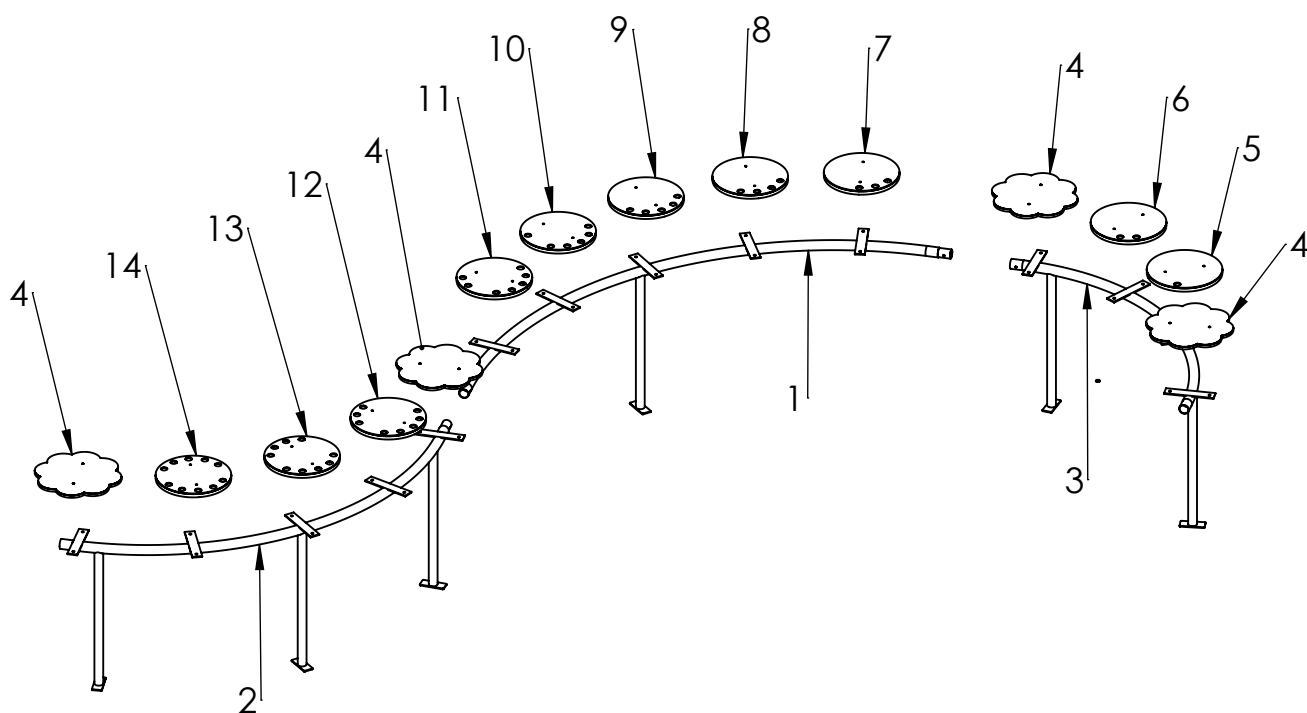
SCALE: 1:50

SHEET 4 OF 7

A

B

C



D

E

F

ITEM NO.	PART NUMBER	DESCRIPTION	QTY.
1	spiral beam	painted steel	1
2	spiral beam	painted steel	1
3	spiral beam	painted steel	1
4	plate flower	plywood	4
5	plate with 1 hole	plywood	1
6	plate with 2 holes	plywood	1
7	plate with 3 holes	plywood	1
8	plate with 4 holes	plywood	1
9	plate with 5 holes	plywood	1
10	plate with 6 holes	plywood	1
11	plate with 7 holes	plywood	1
12	plate with 8 holes	plywood	1
13	plate with 9 holes	plywood	1
14	plate with 10 holes	plywood	1
15	washer M8	galvanized steel	1

UNLESS OTHERWISE SPECIFIED:
DIMENSIONS ARE IN MILLIMETERS
WEIGHT ARE IN KILOGRAMM

PART NUMBER / DWG NO.:

PVP10

	NAME	SIGNATURE	DATE	REVISION
DRAWN	M.Rebase		25.04.2011	
APPV'D				

DESCRIPTION:

Spiral beam SNAKE

MATERIAL:

wood, metal, plastic

A4

WEIGHT:

SCALE: 1:30

SHEET 5 OF 7



Tiptaptap OÜ

Tiptaptap OÜ
Veetorni 9,
Jüri alevik, Rae vald,
75301 Harjumaa

A

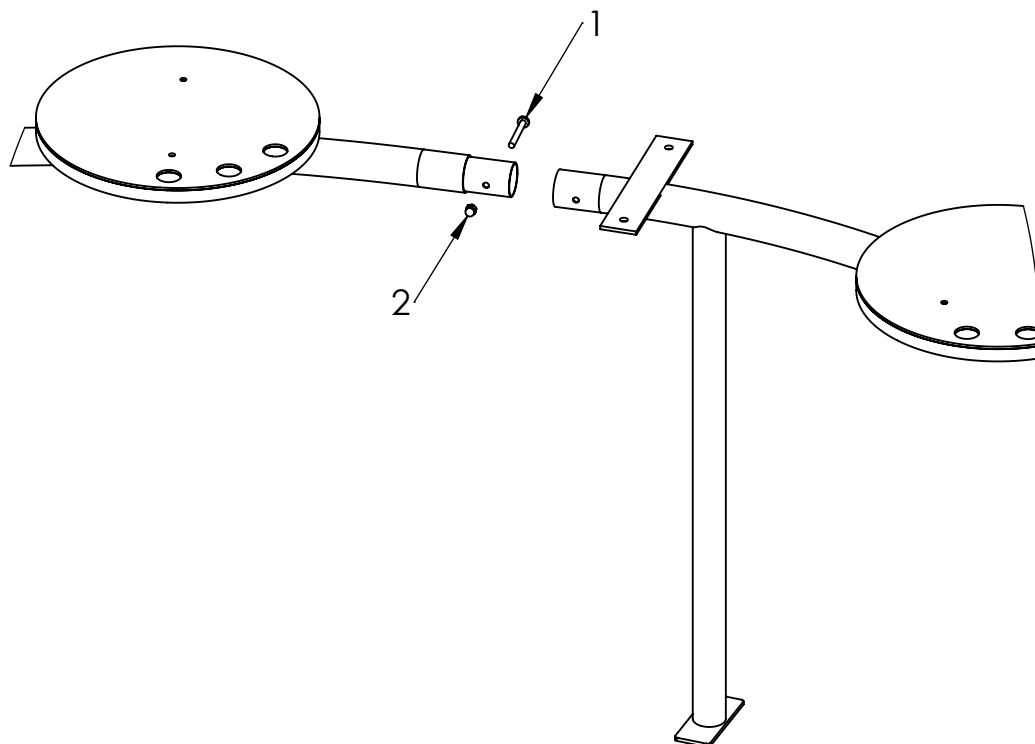
B

C

D

E

F



ITEM NO.	ITEM NAME
1	bolt DIN7985 M6x50
2	domed cap nut DIN1587 M6

UNLESS OTHERWISE SPECIFIED:
DIMENSIONS ARE IN MILLIMETERS
WEIGHT ARE IN KILOGRAMM

PART NUMBER / DWG NO.:

PVP10

	NAME	SIGNATURE	DATE	REVISION
DRAWN	M.Rebase		21.07.2014	
APPV'D				

DESCRIPTION:

Spiral beam SNAKE



Tiptiptap OÜ

Tiptiptap OÜ
Veetorni 9,
Jüri alevik, Rae vald,
75301 Harjumaa

MATERIAL:

wood, metal, plastic

A4

WEIGHT:

SCALE: 1:8

SHEET 6 OF 7

A

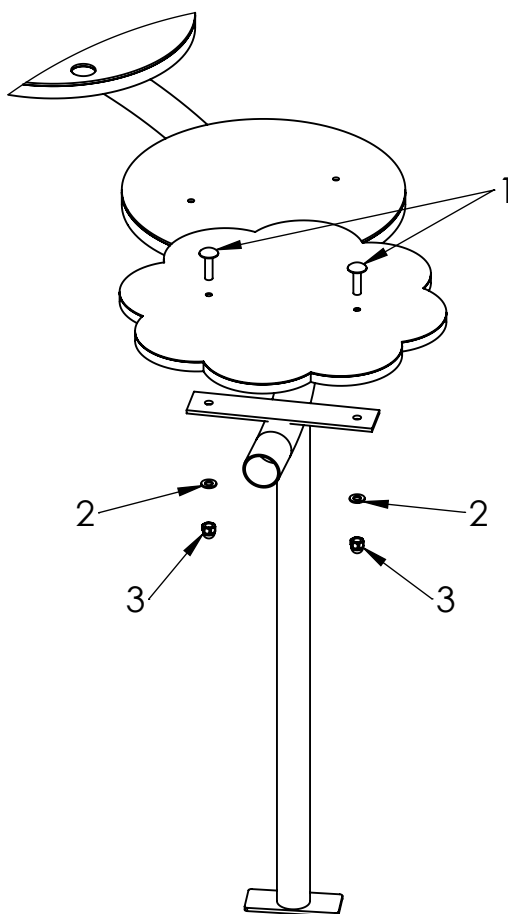
B

C

D

E

F



ITEM NO.	ITEM NAME
1	bolt DIN603 M8x30
2	washer M8
3	domed cap nut DIN1587 M8

UNLESS OTHERWISE SPECIFIED:
DIMENSIONS ARE IN MILLIMETERS
WEIGHT ARE IN KILOGRAMM

PART NUMBER / DWG NO.:

PVP10

	NAME	SIGNATURE	DATE	REVISION
DRAWN	M.Rebase		21.07.2014	
APPV'D				

DESCRIPTION:

Spiral beam SNAKE



Tiptiptap OÜ

Tiptiptap OÜ
Veetorni 9,
Jüri alevik, Rae vald,
75301 Harjumaa

MATERIAL:

wood, metal, plastic

A4

WEIGHT:

SCALE: 1:8

SHEET 7 OF 7