

1

2

3

4

A

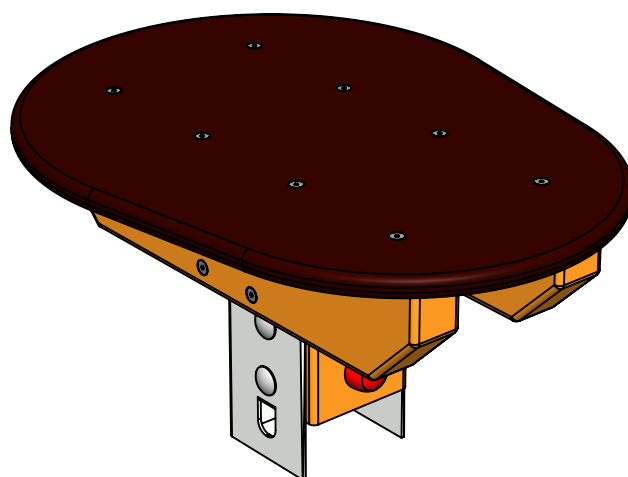
B

C

D

E

F



UNLESS OTHERWISE SPECIFIED:
DIMENSIONS ARE IN MILLIMETERS
WEIGHT ARE IN KILOGRAMM

PART NUMBER / DWG NO.:

PV012

	NAME	SIGNATURE	DATE	REVISION
DRAWN	M.Rebase		15.09.2015	
APPV'D				

DESCRIPTION:

balancing element STEP



Tiptaptap OÜ

Tiptaptap OÜ
Veetorni 9,
Jüri alevik, Rae vald,
75301 Harjumaa

MATERIAL:

wood, metal, plastic

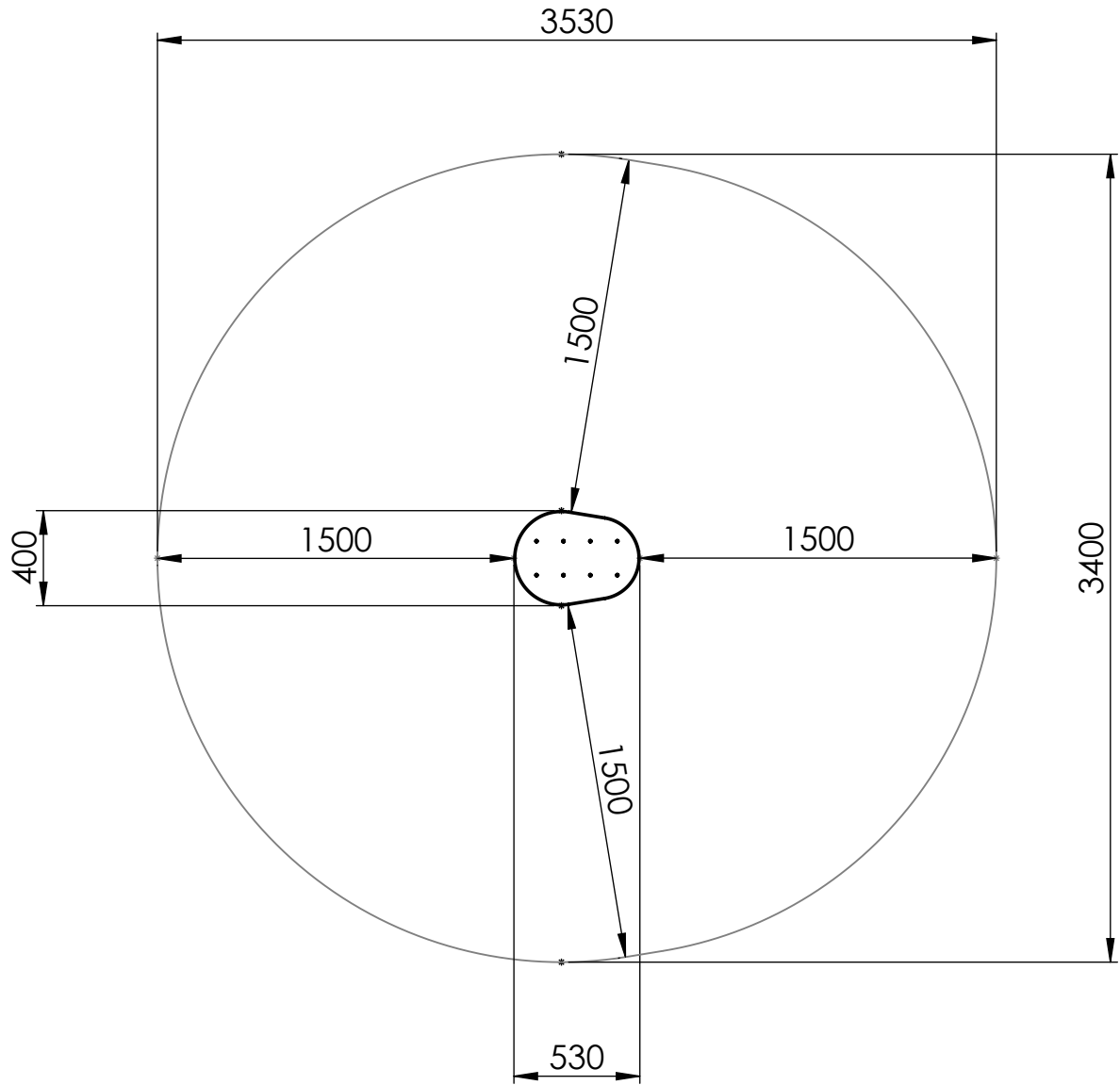
A4

WEIGHT:

SCALE: 1:5

SHEET 1 OF 6

free space



UNLESS OTHERWISE SPECIFIED:
DIMENSIONS ARE IN MILLIMETERS
WEIGHT ARE IN KILOGRAMM

PART NUMBER / DWG NO.:

PV012

	NAME	SIGNATURE	DATE	REVISION
DRAWN	M.Rebase		15.09.2015	
APPV'D				

DESCRIPTION:

balancing element STEP



Tiptaptap OÜ

Tiptaptap OÜ
Veetorni 9,
Jüri alevik, Rae vald,
75301 Harjumaa

MATERIAL:

wood, metal, plastic

A4

WEIGHT:

SCALE: 1:30

SHEET 2 OF 6

foundation

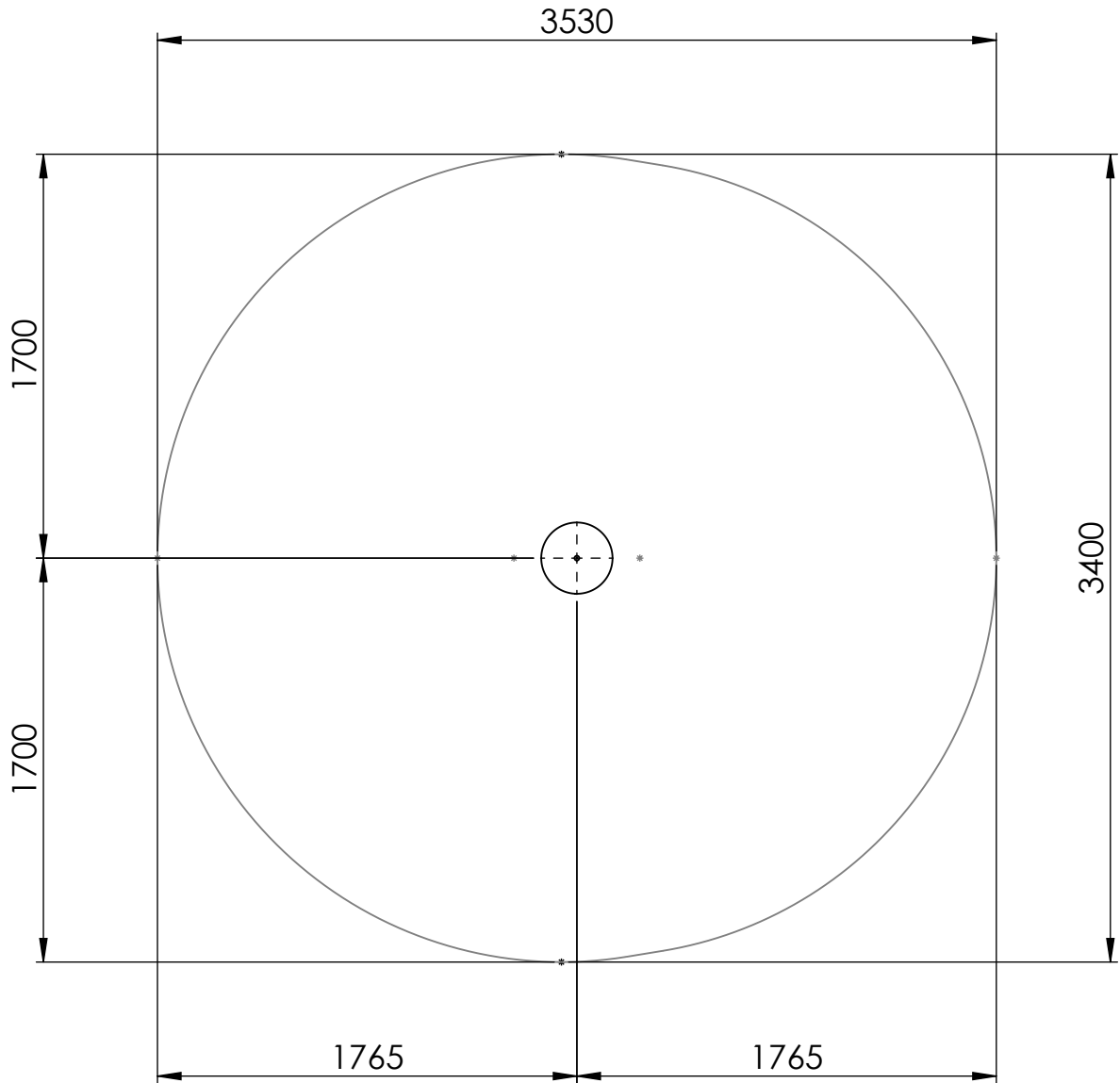
A

B

C

D

E



UNLESS OTHERWISE SPECIFIED:
DIMENSIONS ARE IN MILLIMETERS
WEIGHT ARE IN KILOGRAMM

PART NUMBER / DWG NO.:
PV012

	NAME	SIGNATURE	DATE	REVISION
DRAWN	M.Rebase		15.09.2015	
APPV'D				

DESCRIPTION:
balancing element STEP

 **Tiptaptap** OÜ
Veetorni 9,
Jüri alevik, Rae vald,
75301 Harjumaa

MATERIAL:	wood, metal, plastic	A4
WEIGHT:	SCALE: 1:30	SHEET 3 OF 6

A

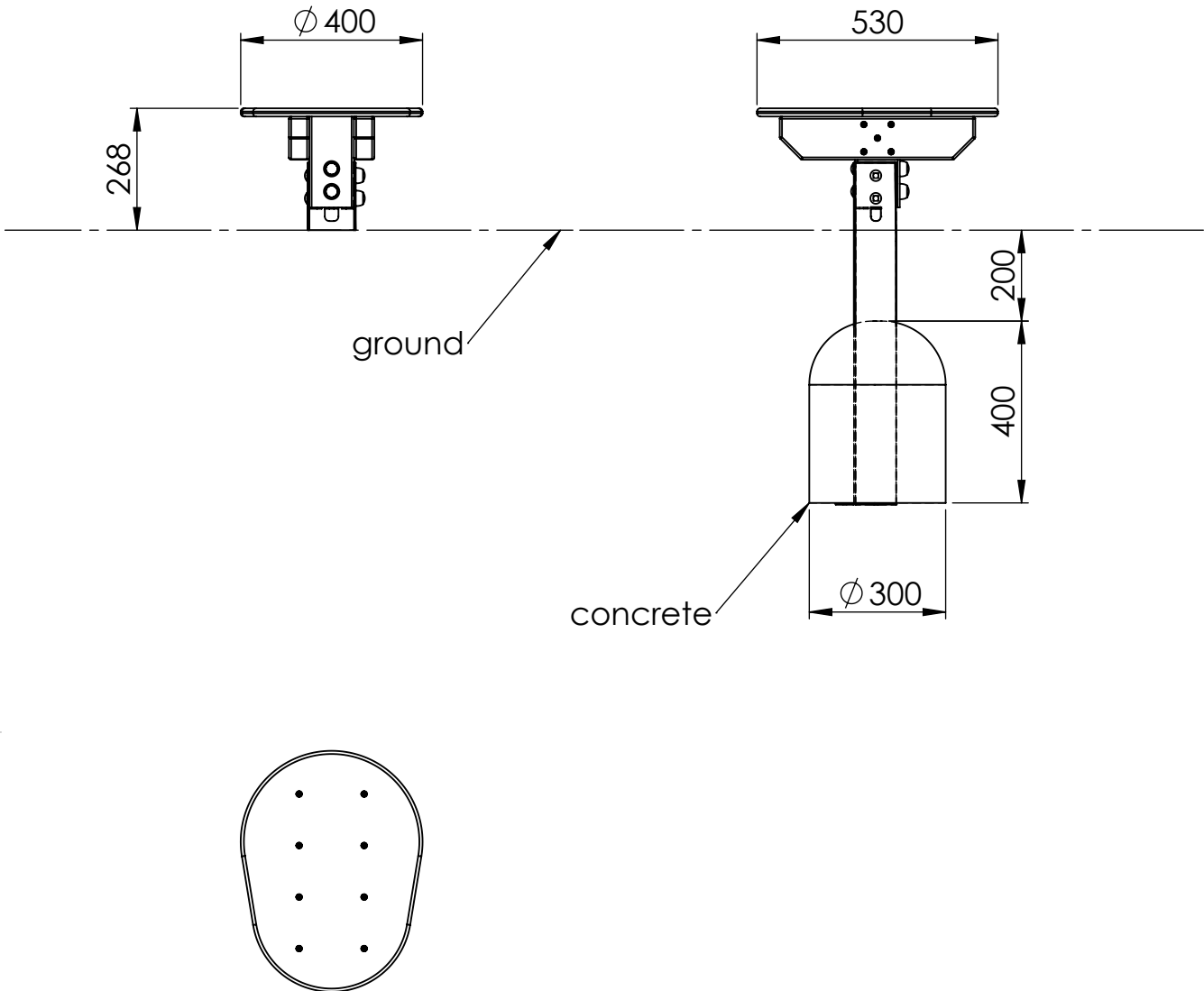
B

C

D

E

F



UNLESS OTHERWISE SPECIFIED:
 DIMENSIONS ARE IN MILLIMETERS
 WEIGHT ARE IN KILOGRAMM

PART NUMBER / DWG NO.:

PV012

	NAME	SIGNATURE	DATE	REVISION
DRAWN	M.Rebase		15.09.2015	
APPV'D				

DESCRIPTION:

balancing element STEP



Tiptaptap OÜ

Tiptaptap OÜ
 Veetorni 9,
 Jüri alevik, Rae vald,
 75301 Harjumaa

MATERIAL:

wood, metal, plastic

A4

WEIGHT:

SCALE: 1:15

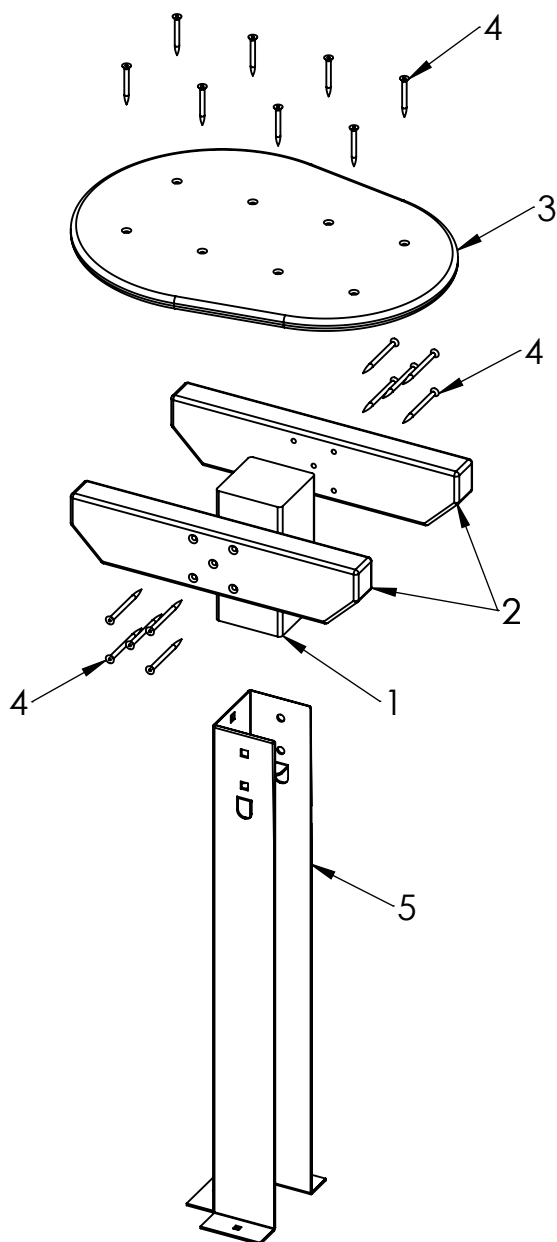
SHEET 4 OF 6

A

B

C

D



ITEM NO.	PART NUMBER	DESCRIPTION	QTY.
1	post 98x98x200	laminated impregnated wood	1
2	board 430x95x45	laminated impregnated wood	2
3	plate 400x530	plywood	1
4	woodscrew 6 x 90	galvanized steel	18
5	ground fixture	galvanized steel	1

UNLESS OTHERWISE SPECIFIED:
DIMENSIONS ARE IN MILLIMETERS
WEIGHT ARE IN KILOGRAMM

PART NUMBER / DWG NO.:

PV012

	NAME	SIGNATURE	DATE	REVISION
DRAWN	M.Rebase		15.09.2015	
APPV'D				

DESCRIPTION:

balancing element STEP

MATERIAL:

wood, metal, plastic

A4

WEIGHT:

SCALE: 1:10

SHEET 5 OF 6



Tiptiptap OÜ

Tiptiptap OÜ
Veetorni 9,
Jüri alevik, Rae vald,
75301 Harjumaa

A

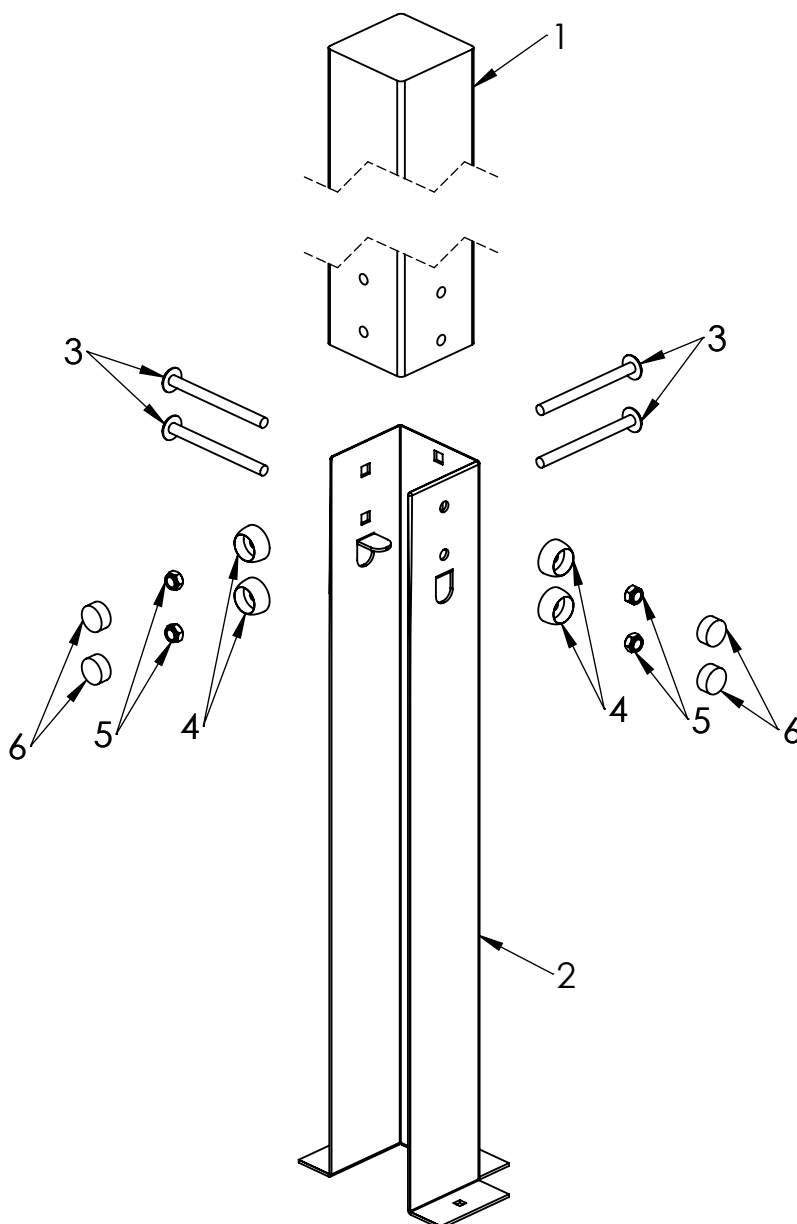
B

C

D

E

F



ITEM NO.	PART NUMBER
1	post 98x98
2	ground fixture
3	bolt DIN603 M10x120
4	nut cover M10
5	nut DIN985 M10
6	nut cover cap M10

UNLESS OTHERWISE SPECIFIED:
DIMENSIONS ARE IN MILLIMETERS
WEIGHT ARE IN KILOGRAMM

PART NUMBER / DWG NO.:

PV012

	NAME	SIGNATURE	DATE	REVISION
DRAWN	M.Rebase		15.09.2015	
APPV'D				

DESCRIPTION:

balancing element STEP
connecting ground fixture to post

MATERIAL:

wood, metal, plastic

A4

WEIGHT:

SCALE: 1:7

SHEET 6 OF 6



Tiptap OÜ

Tiptap OÜ
Veetorni 9,
Jüri alevik, Rae vald,
75301 Harjumaa