

A

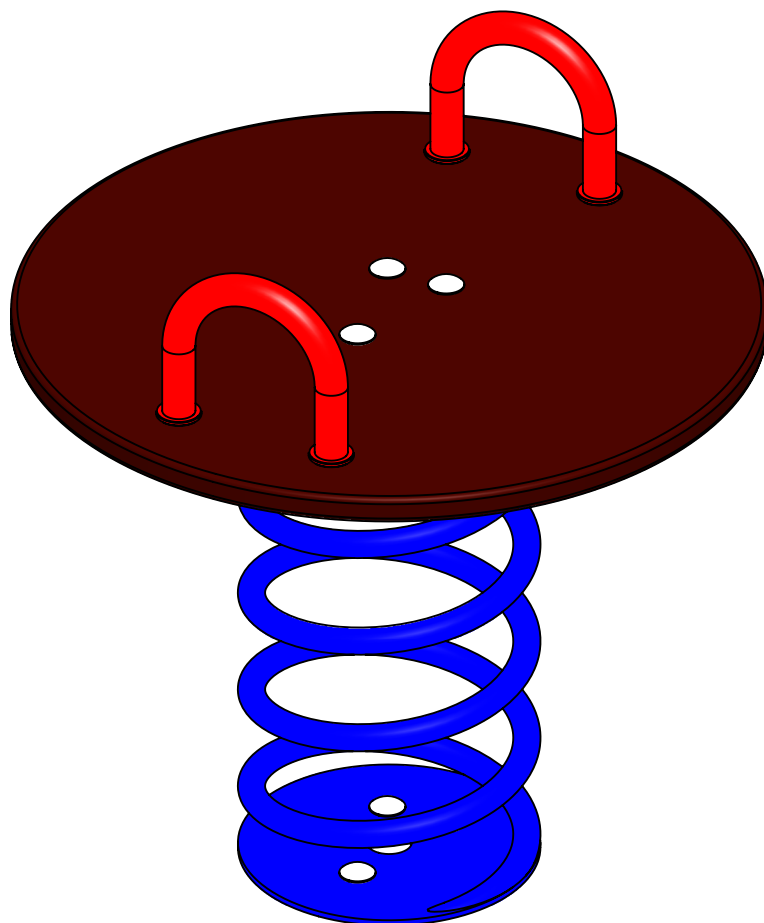
B

C

D

E

F



UNLESS OTHERWISE SPECIFIED:
DIMENSIONS ARE IN MILLIMETERS
WEIGHT ARE IN KILOGRAMM

PART NUMBER / DWG NO.:

VP011

	NAME	SIGNATURE	DATE	REVISION
DRAWN	M.Rebase		16.07.2014	
APPV'D				

DESCRIPTION:

Spring plate BALANCE with handles



Tiptiptap OÜ

Tiptiptap OÜ
Veetorni 9,
Jüri alevik, Rae vald,
75301 Harjumaa

MATERIAL:

wood, metal, plastic

A4

WEIGHT:

SCALE: 1:5

SHEET 1 OF 5

safety area

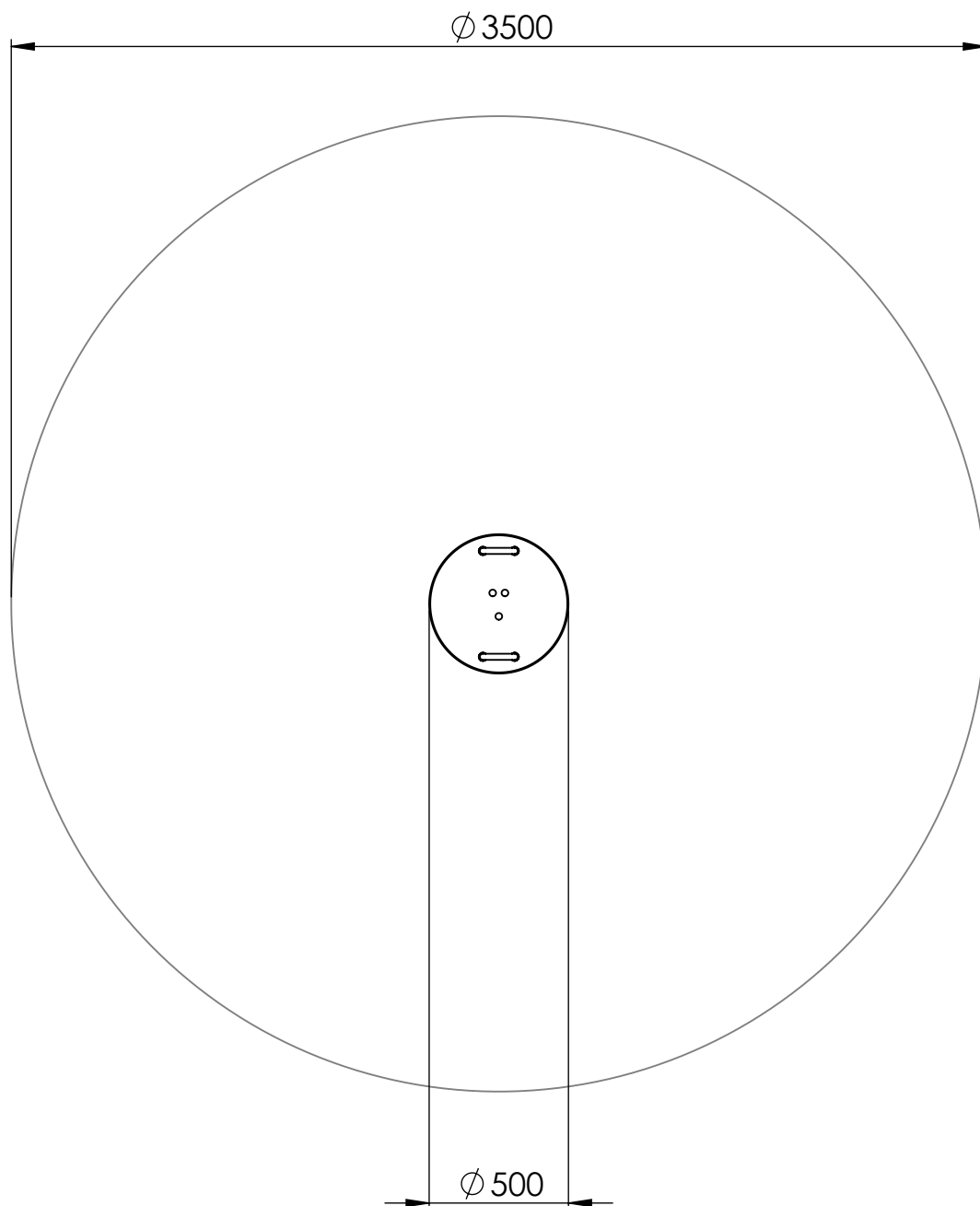
A

B

C

D

E



UNLESS OTHERWISE SPECIFIED:
DIMENSIONS ARE IN MILLIMETERS
WEIGHT ARE IN KILOGRAMM

PART NUMBER / DWG NO.:

VP011

	NAME	SIGNATURE	DATE	REVISION
DRAWN	M.Rebase		16.07.2014	
APPV'D				

DESCRIPTION:

Spring plate BALANCE with handles

F



Tiptaptap OÜ

Tiptaptap OÜ
Veetorni 9,
Jüri alevik, Rae vald,
75301 Harjumaa

MATERIAL:

wood, metal, plastic

A4

WEIGHT:

SCALE: 1:25

SHEET 2 OF 5

foundation

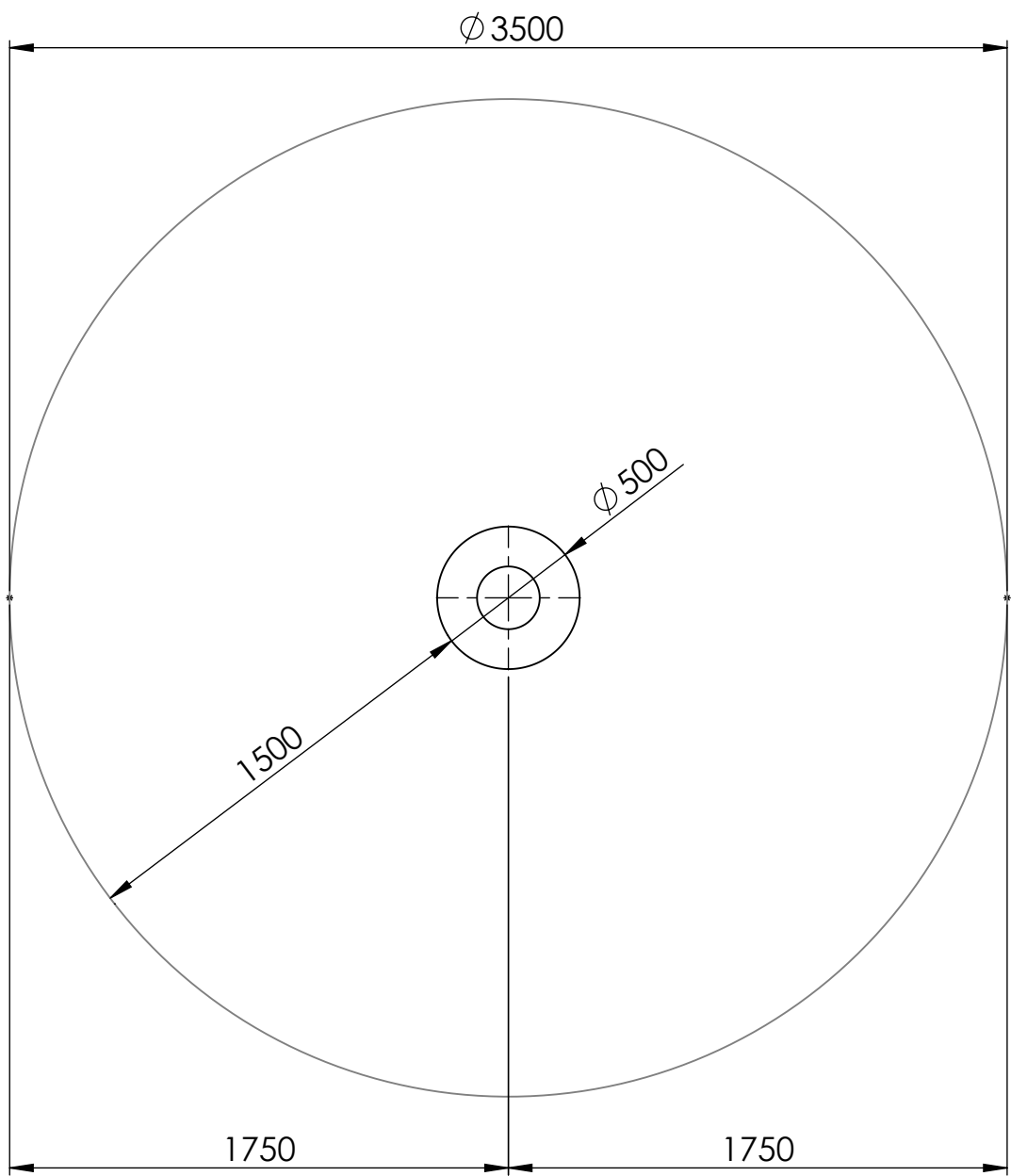
A

B

C

D

E



depth of foundation 500mm

UNLESS OTHERWISE SPECIFIED: DIMENSIONS ARE IN MILLIMETERS WEIGHT ARE IN KILOGRAMM				
	NAME	SIGNATURE	DATE	REVISION
DRAWN	M.Rebase		16.07.2014	
APPV'D				

PART NUMBER / DWG NO.:	VP011
------------------------	-------

DESCRIPTION:	Spring plate BALANCE with handles
--------------	-----------------------------------


Tiptaptap OÜ
 Veetorni 9,
 Jüri alevik, Rae vald,
 75301 Harjumaa

MATERIAL:	wood, metal, plastic	A4
WEIGHT:	SCALE: 1:25	SHEET 3 OF 5

A

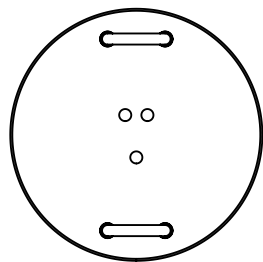
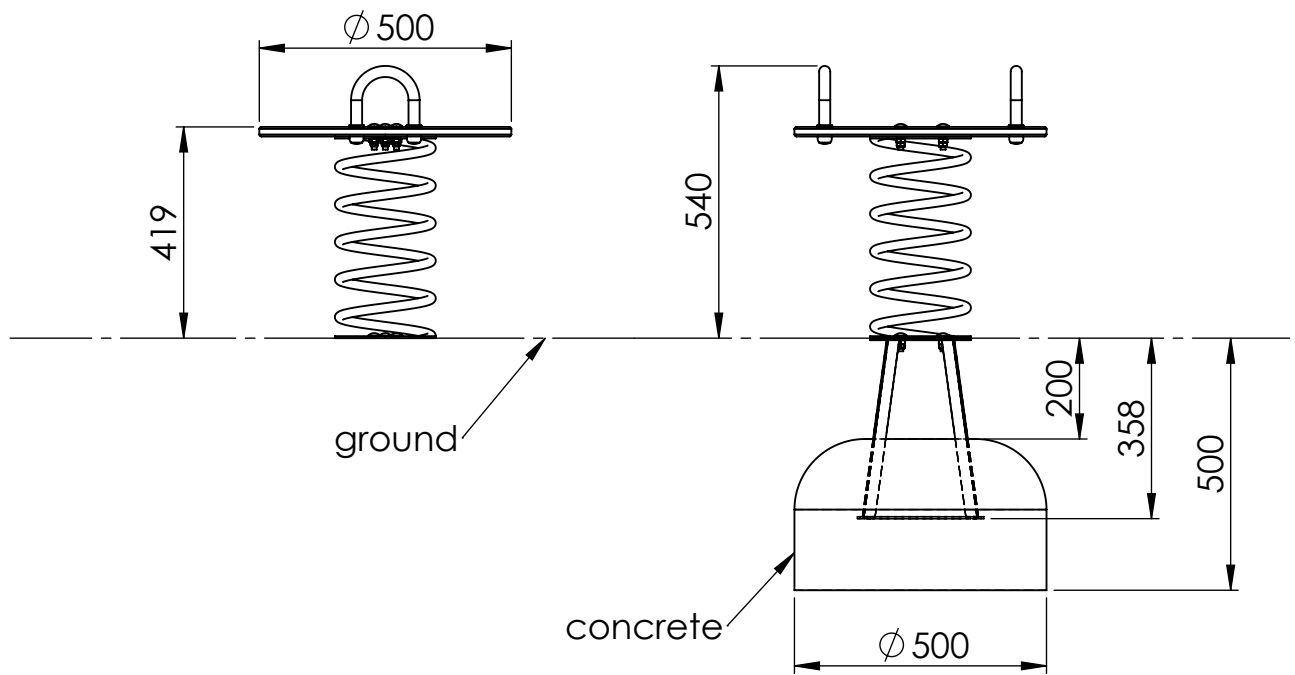
B

C

D

E

F



UNLESS OTHERWISE SPECIFIED:
 DIMENSIONS ARE IN MILLIMETERS
 WEIGHT ARE IN KILOGRAMM

PART NUMBER / DWG NO.:

VP011

	NAME	SIGNATURE	DATE	REVISION
DRAWN	M.Rebase		16.07.2014	
APPV'D				

DESCRIPTION:

Spring plate BALANCE with handles



Tiptaptap OÜ

Tiptaptap OÜ
 Veetorni 9,
 Jüri alevik, Rae vald,
 75301 Harjumaa

MATERIAL:

wood, metal, plastic

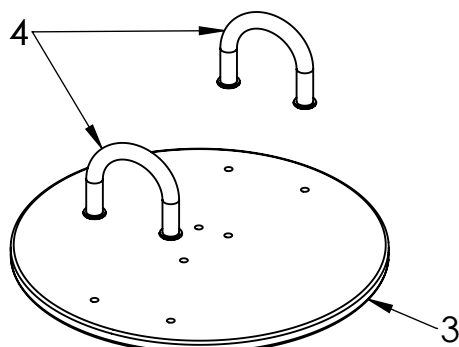
A4

WEIGHT:

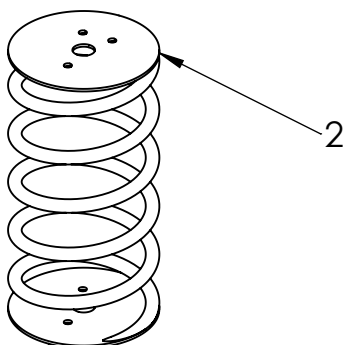
SCALE: 1:15

SHEET 4 OF 5

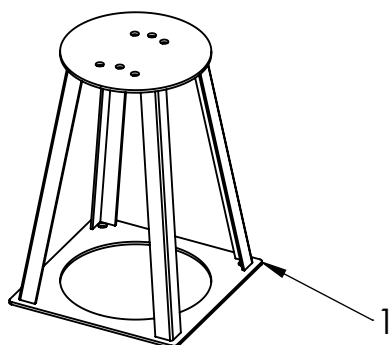
A



B



C



D

ITEM NO.	PART NUMBER	DESCRIPTION	QTY.
1	ground fixing	galvanized steel	1
2	spring with spring disk	painted steel	1
3	disk d.500	plywood	1
4	handle	painted steel	2

UNLESS OTHERWISE SPECIFIED: DIMENSIONS ARE IN MILLIMETERS WEIGHT ARE IN KILOGRAMM				PART NUMBER / DWG NO.:	
				VP011	
	NAME	SIGNATURE	DATE	REVISION	
DRAWN	M.Rebase		16.07.2014		
APPV'D					
				DESCRIPTION:	
				Spring plate BALANCE with handles	
				MATERIAL:	
				wood, metal, plastic	A4
				WEIGHT:	
				SCALE: 1:15	SHEET 5 OF 5

F



Tiptiptap OÜ

Tiptiptap OÜ
Veetorni 9,
Jüri alevik, Rae vald,
75301 Harjumaa