

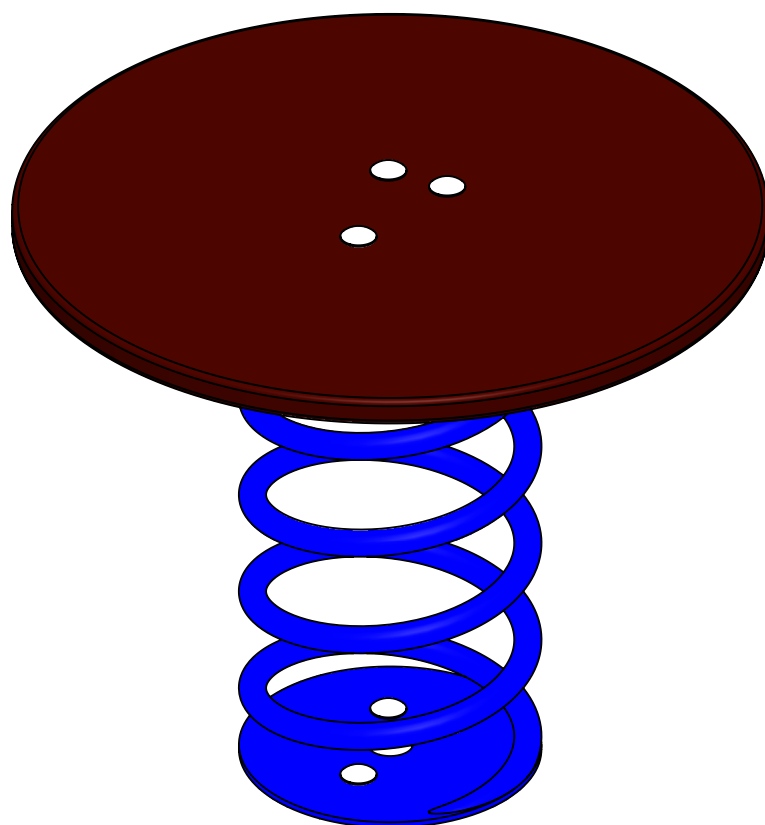
A

B

C

D

E



UNLESS OTHERWISE SPECIFIED:
DIMENSIONS ARE IN MILLIMETERS
WEIGHT ARE IN KILOGRAMM

PART NUMBER / DWG NO.:

VP010

	NAME	SIGNATURE	DATE	REVISION
DRAWN	M.Rebase		16.07.2014	
APPV'D				

DESCRIPTION:

Spring plate BALANCE

F



Tiptiptap OÜ

Tiptiptap OÜ
Veetorni 9,
Jüri alevik, Rae vald,
75301 Harjumaa

MATERIAL:

wood, metal, plastic

A4

WEIGHT:

SCALE: 1:5

SHEET 1 OF 5

safety area

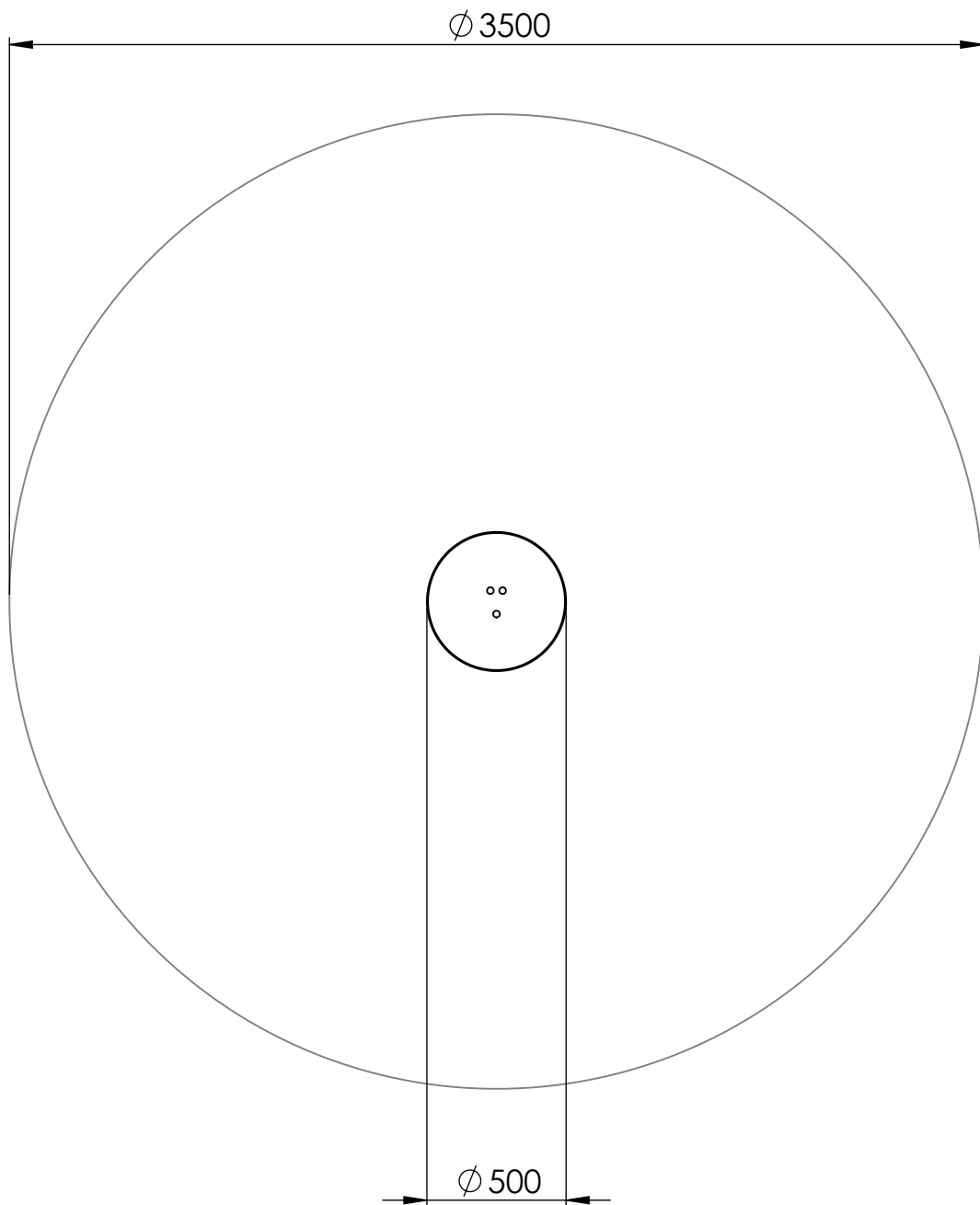
A

B

C

D

E



UNLESS OTHERWISE SPECIFIED:
 DIMENSIONS ARE IN MILLIMETERS
 WEIGHT ARE IN KILOGRAMM

PART NUMBER / DWG NO.:
VP010

	NAME	SIGNATURE	DATE	REVISION
DRAWN	M.Rebase		16.07.2014	
APPV'D				

DESCRIPTION:
Spring plate BALANCE

 **Tiptaptap** OÜ
 Veetorni 9,
 Jüri alevik, Rae vald,
 75301 Harjumaa

MATERIAL:	wood, metal, plastic	A4
WEIGHT:	SCALE: 1:25	SHEET 2 OF 5

foundation

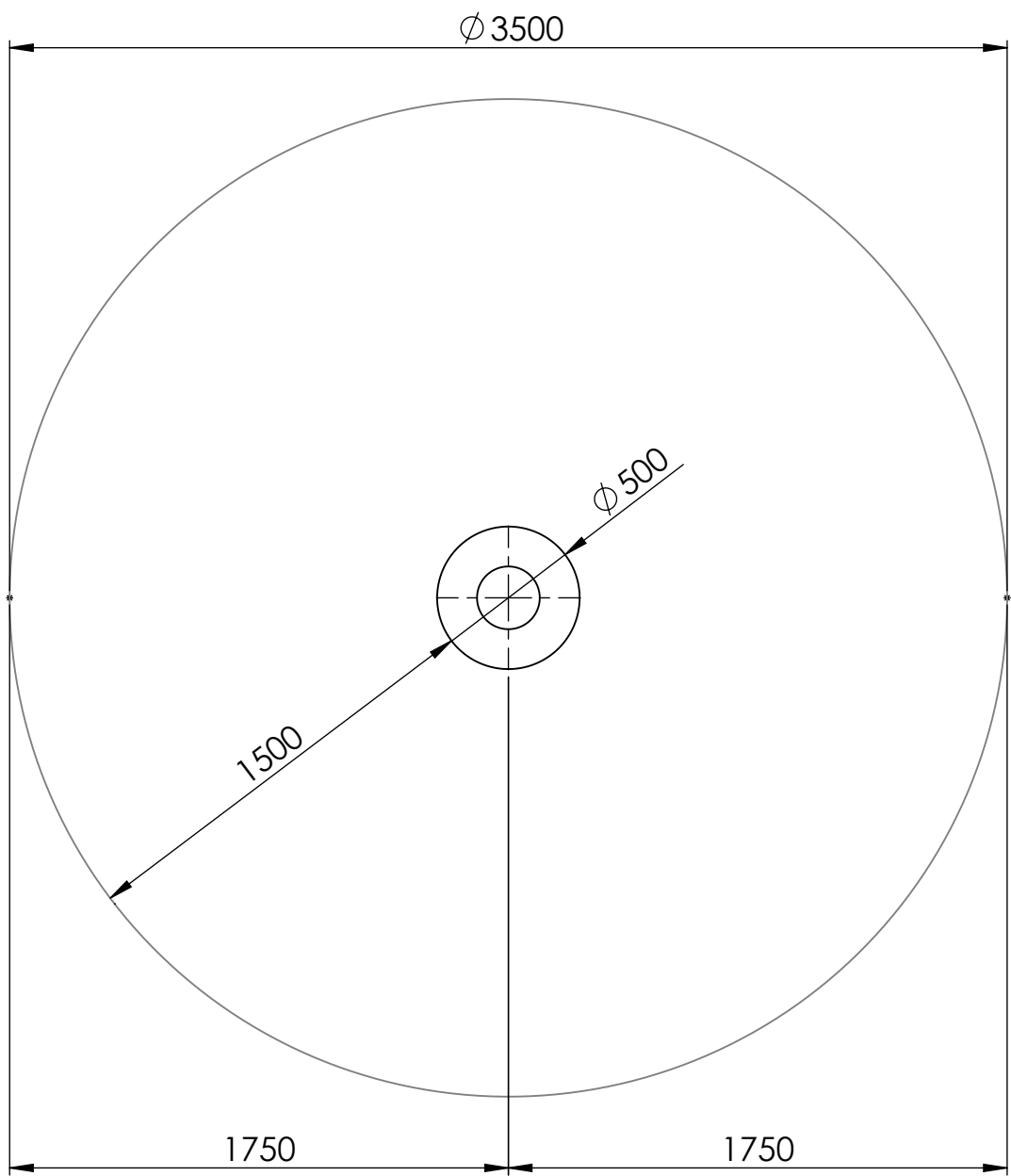
A

B

C

D

E



depth of foundation 500mm

UNLESS OTHERWISE SPECIFIED: DIMENSIONS ARE IN MILLIMETERS WEIGHT ARE IN KILOGRAMM				
	NAME	SIGNATURE	DATE	REVISION
DRAWN	M.Rebase		16.07.2014	
APPV'D				

PART NUMBER / DWG NO.:	VP010
------------------------	-------

DESCRIPTION:	Spring plate BALANCE
--------------	----------------------


Tiptaptap OÜ
 Veetorni 9,
 Jüri alevik, Rae vald,
 75301 Harjumaa

MATERIAL:	wood, metal, plastic	A4
WEIGHT:	SCALE: 1:25	SHEET 3 OF 5

A

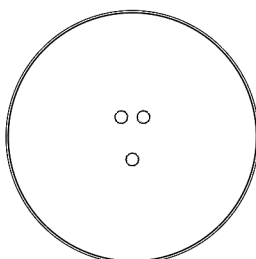
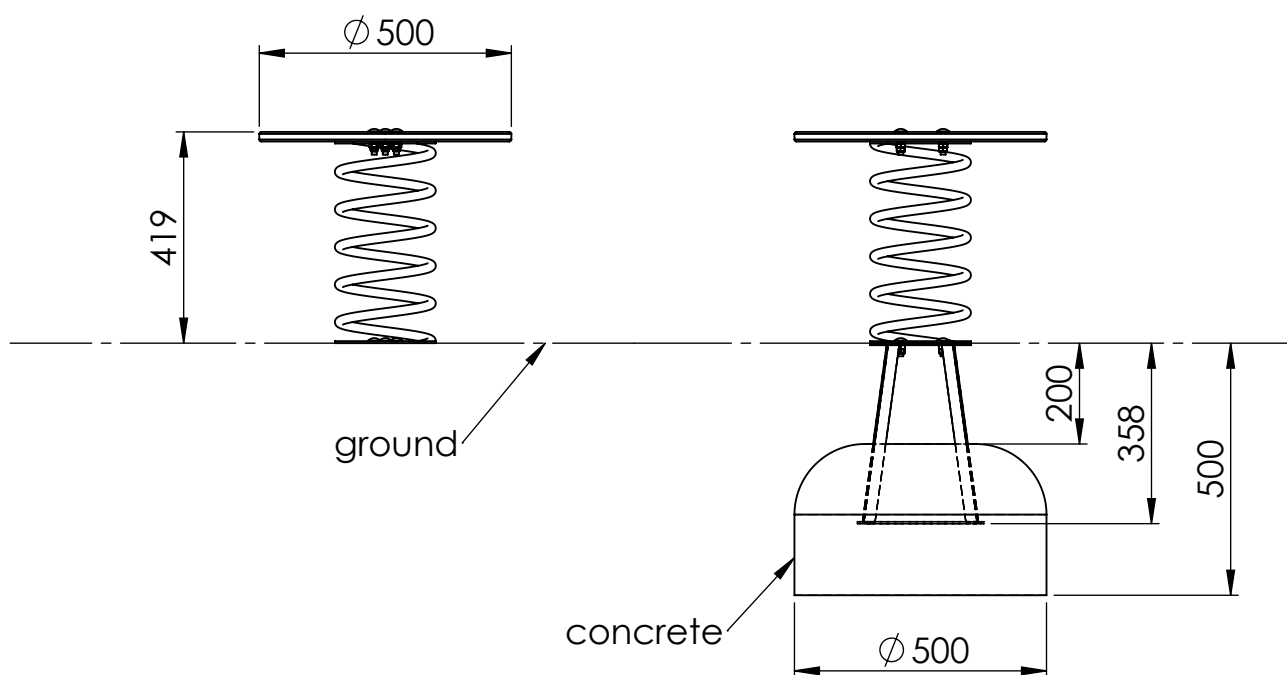
B

C

D

E

F



UNLESS OTHERWISE SPECIFIED: DIMENSIONS ARE IN MILLIMETERS WEIGHT ARE IN KILOGRAMM				
	NAME	SIGNATURE	DATE	REVISION
DRAWN	M.Rebase		16.07.2014	
APPV'D				

PART NUMBER / DWG NO.:
VP010

DESCRIPTION:
Spring plate BALANCE



Tiptiptap OÜ
Veetorni 9,
Jüri alevik, Rae vald,
75301 Harjumaa

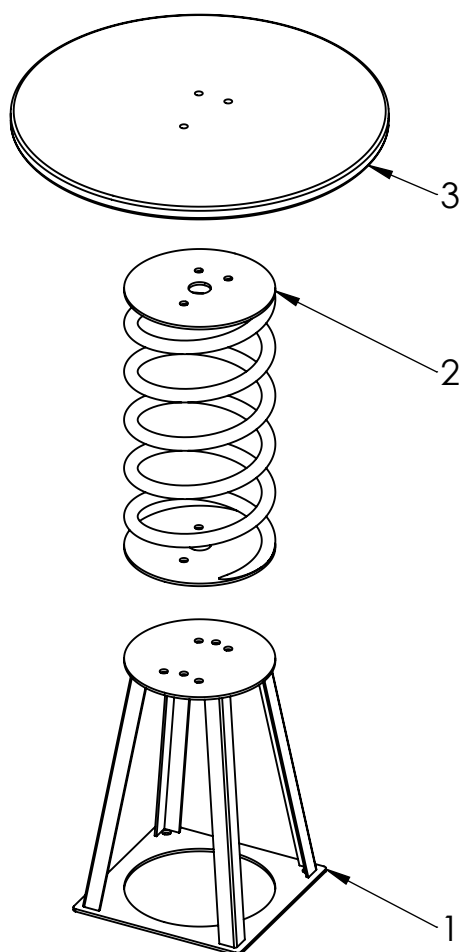
MATERIAL:	wood, metal, plastic	A4
WEIGHT:	SCALE: 1:15	SHEET 4 OF 5

A

B

C

D



E

ITEM NO.	PART NUMBER	DESCRIPTION	QTY.
1	ground fixing	galvanized steel	1
2	spring with spring disk	painted steel	1
3	plate d.500	plywood	1

F

UNLESS OTHERWISE SPECIFIED:
DIMENSIONS ARE IN MILLIMETERS
WEIGHT ARE IN KILOGRAMM

PART NUMBER / DWG NO.:

VP010

	NAME	SIGNATURE	DATE	REVISION
DRAWN	M.Rebase		16.07.2014	
APPV'D				

DESCRIPTION:

Spring plate BALANCE



Tiptaptap OÜ

Tiptaptap OÜ
Veetorni 9,
Jüri alevik, Rae vald,
75301 Harjumaa

MATERIAL:

wood, metal, plastic

A4

WEIGHT:

SCALE: 1:15

SHEET 5 OF 5