

Productblad



Article: Panna
Article Nr: 4004
Revision: 1.1
Date: 20-08-2013

IJslander BV
Oude Dijk 10
8096 RK Oldebroek



Content	Page
Necessary tools	2
Requirements	2
Foundation Dimensions	2
Foundation Plan	2
Installation	3
Maintenance	3
Details	3
3D-plan	4
2D-plan	4

Necessary tools

- Spade
- Socket wrench
- Torx with stift

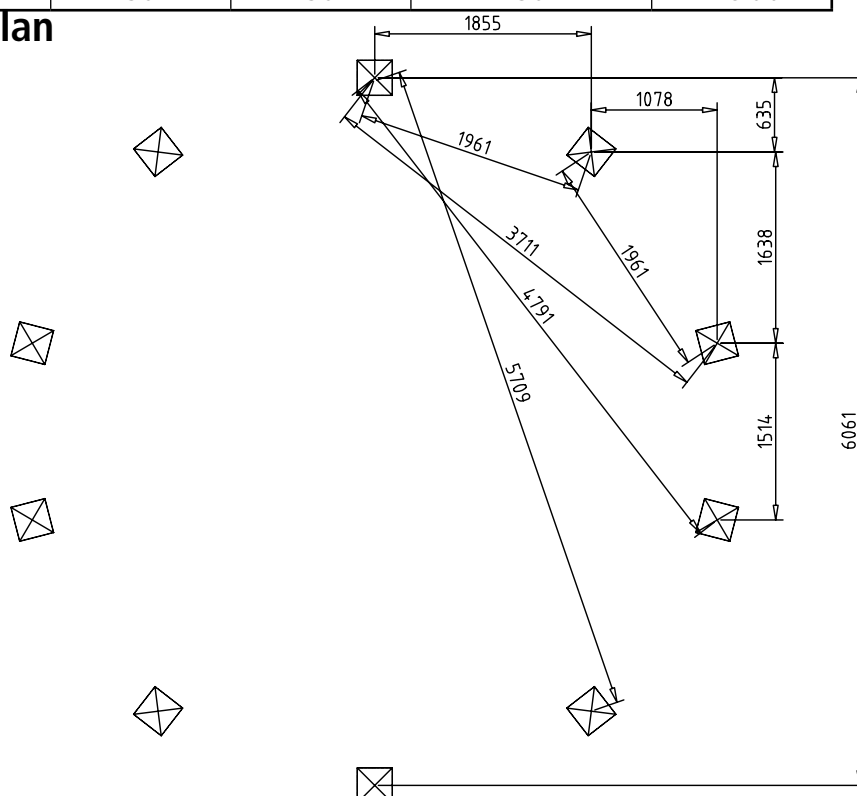
Onderdelen

Positie	Aantal	Omschrijving	Maat	Bestelcode
1	2	Goal		940416
2	8	Upper bar		940417
3	112	Cable H=2050		940204
4	20	Cable H=1750		940205
5	132	Cotter pin	M12	200020
6	132	Push spring		101799
7	8	In-Between post		940422
8	8	Boarding		940418
9	6	Post H=2500		940419
10	6	Carriage bolt	M10x30	100526
11	64	Torx with pin	M8x20	100321
12	36	Torx with pin	M8x25	101274
13	36	Carrosseriering	M8	100366
14	10	Foundation	30x30x30	101120

Foundation dimensions

	Length (cm)	Width (cm)	Height (cm)	Necessary Height (cm)	Required Concrete (m ³)
A	30	30	30	30	Prefab

Foundation plan



Montage

Dig 10 holes with a depth of 30 cm and a length and width of 30x30cm with a distance as shown on the foundation plan and place the foundations in the holes.

Mount the two goals on the concerning foundations with a body ring and a torx with pin M8x25.

Then mount the posts loosely on the foundations in the same way. Keep in mind that the to turn torx with pin fall outside of the play field.

Measure diagonally the distances, when they are equal you can screw the torx further.

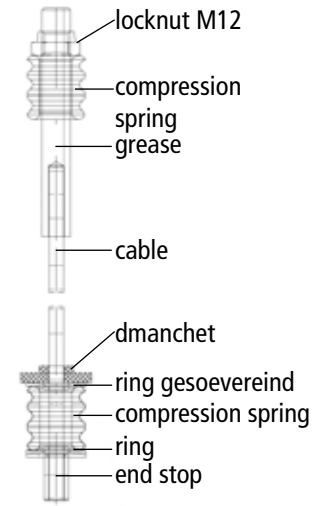
Place the boarding between the posts and put everything together with a torx M8x20.

Place the In-Between postst on the boarding and then the upper beams.

The cable can now be applied from the bottom and on the upper beam with a compression spring and a locknut.

Where the entrance comes, the holes can be filled with carriage bolts.

- Start to tighten the cable always from the middle
- Be sure that there is not too much tention on one single cable. The problem that can arise then is that one cable is very tightened, while the other is loose, which does not benefit the construction.



Maintenance

Recommendations about regular maintenance we recommend, in addition to our instructions for maintenance, to consider carefully the demands of EN 1176-7!

- | | |
|---|-------------|
| • Check cleanliness of play- and safety area, take out alien elements | 1 x monthly |
| • Check stability of vertical posts, tighten bolt-connections if necessary | 2 x yearly |
| • Check other component elements for wear and tight connections, tighten connections and replace defective elemens if necessary | 2 x yearly |
| • Check foundation, foundation anchoring and whole construction for corrosion or decay, repair or replace if necessary. | 1 x yearly |

Details



1



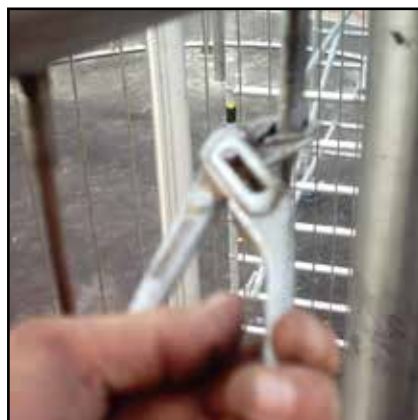
2



3



4

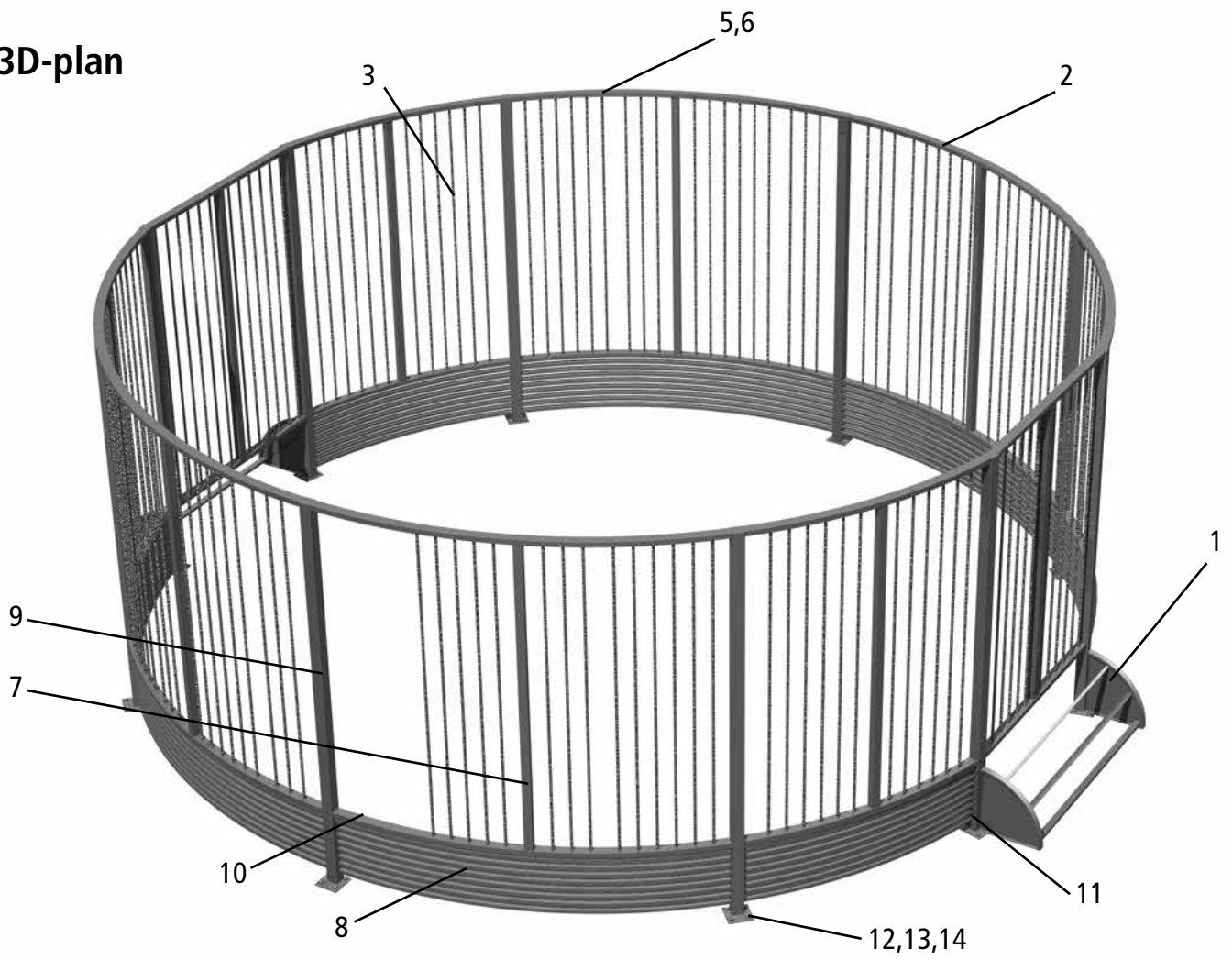


5



6

3D-plan



2D-plan

