

A

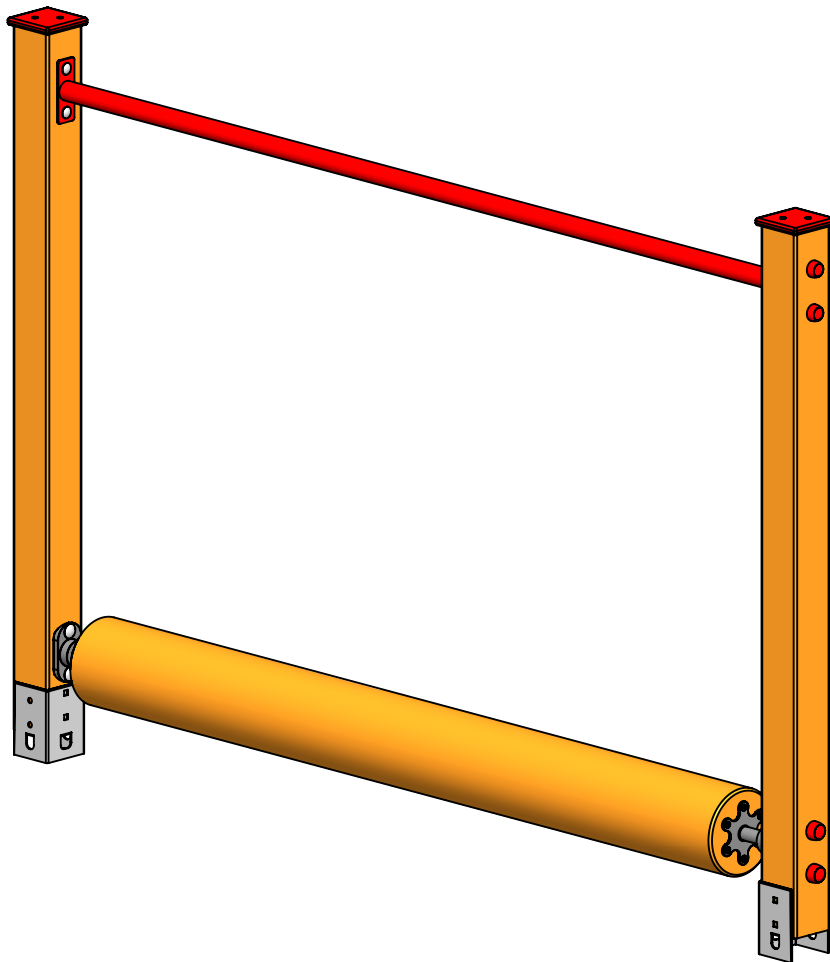
B

C

D

E

F



UNLESS OTHERWISE SPECIFIED:  
 DIMENSIONS ARE IN MILLIMETERS  
 WEIGHT ARE IN KILOGRAMM

	NAME	SIGNATURE	DATE	REVISION
DRAWN	M.Rebase		14.01.2015	
APPV'D				

PART NUMBER / DWG NO.:  
**PLP14**

DESCRIPTION:  
**Spinning beam**



**Tiptaptap** OÜ

Tiptaptap OÜ  
 Veetorni 9,  
 Jüri alevik, Rae vald,  
 75301 Harjumaa

MATERIAL: wood, metal, plastic

A4

WEIGHT: SCALE: 1:15 SHEET 1 OF 7

# safety area

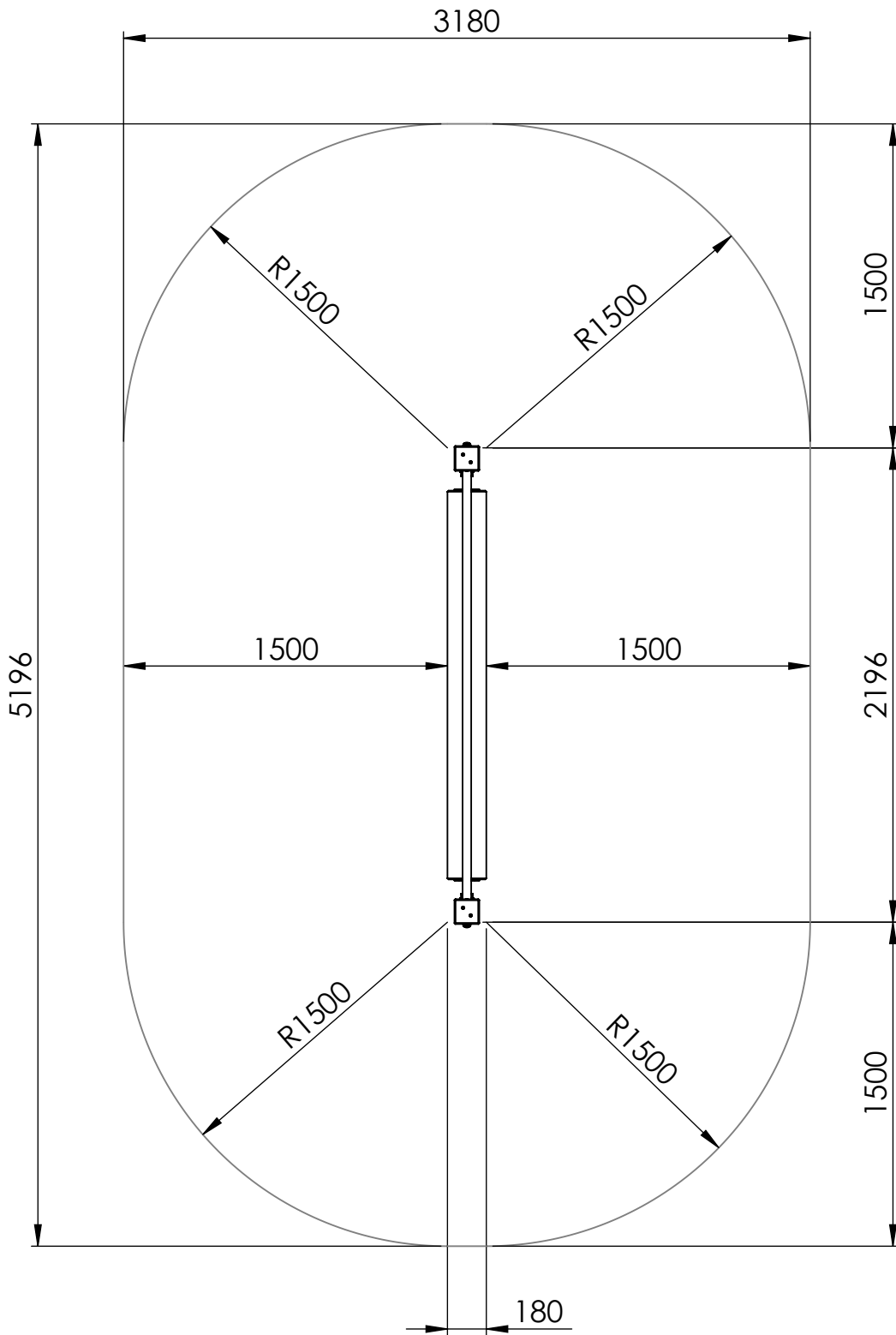
A

B

C

D

E



UNLESS OTHERWISE SPECIFIED:  
DIMENSIONS ARE IN MILLIMETERS  
WEIGHT ARE IN KILOGRAMM

PART NUMBER / DWG NO.:

PLP14

	NAME	SIGNATURE	DATE	REVISION
DRAWN	M.Rebase		14.01.2015	
APPV'D				

DESCRIPTION:

Spinning beam



**Tiptap** OÜ

Tiptap OÜ  
Veetorni 9,  
Jüri alevik, Rae vald,  
75301 Harjumaa

MATERIAL:

wood, metal, plastic

A4

WEIGHT:

SCALE: 1:30

SHEET 2 OF 7

# foundation

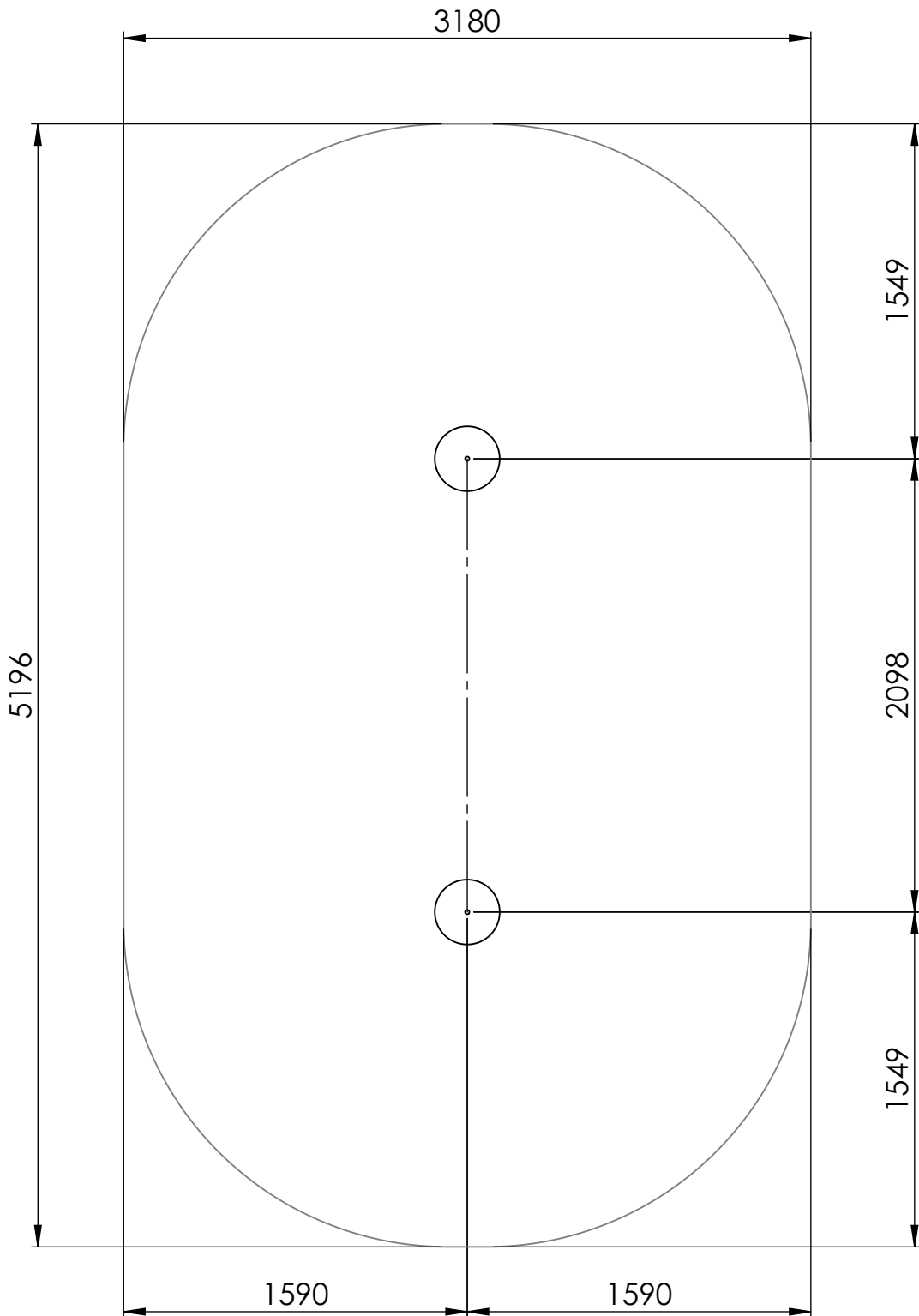
A

B

C

D

E



depth of foundation 600mm

UNLESS OTHERWISE SPECIFIED:  
DIMENSIONS ARE IN MILLIMETERS  
WEIGHT ARE IN KILOGRAMM

PART NUMBER / DWG NO.:

PLP14

	NAME	SIGNATURE	DATE	REVISION
DRAWN	M.Rebase		14.01.2015	
APPV'D				

DESCRIPTION:

Spinning beam



**Tiptap** OÜ

Tiptap OÜ  
Veetorni 9,  
Jüri alevik, Rae vald,  
75301 Harjumaa

MATERIAL:

wood, metal, plastic

A4

WEIGHT:

SCALE: 1:30

SHEET 3 OF 7

F

1

2

3

4

A

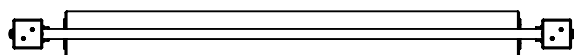
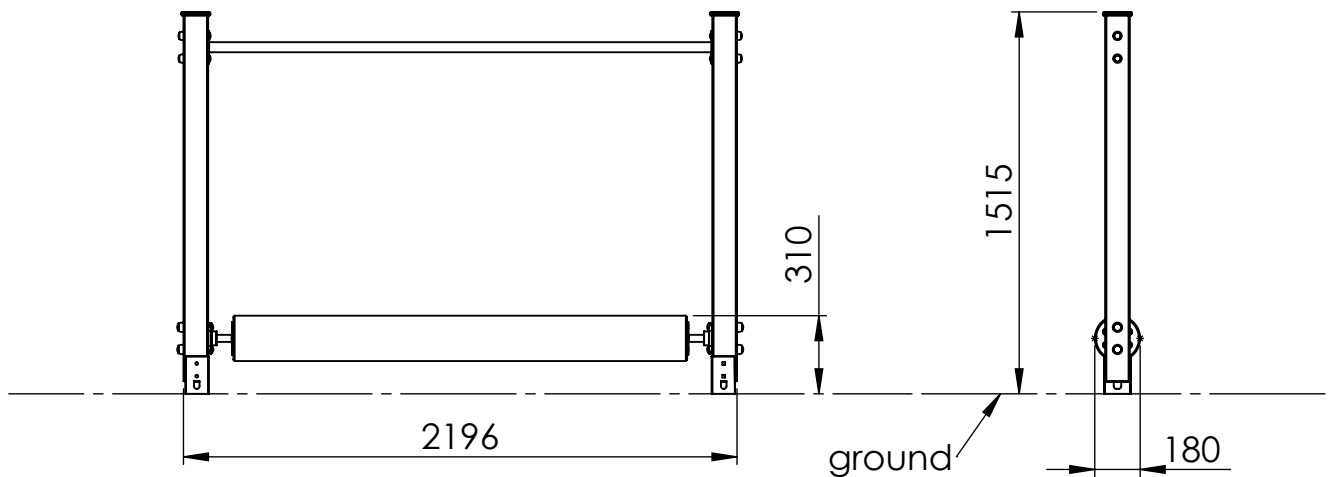
B

C

D

E

F



UNLESS OTHERWISE SPECIFIED:  
DIMENSIONS ARE IN MILLIMETERS  
WEIGHT ARE IN KILOGRAMM

PART NUMBER / DWG NO.:

PLP14

	NAME	SIGNATURE	DATE	REVISION
DRAWN	M.Rebase		14.01.2015	
APPV'D				

DESCRIPTION:

Spinning beam



**Tiptaptap** OÜ

Tiptaptap OÜ  
Veetorni 9,  
Jüri alevik, Rae vald,  
75301 Harjumaa

MATERIAL:

wood, metal, plastic

A4

WEIGHT:

SCALE: 1:30

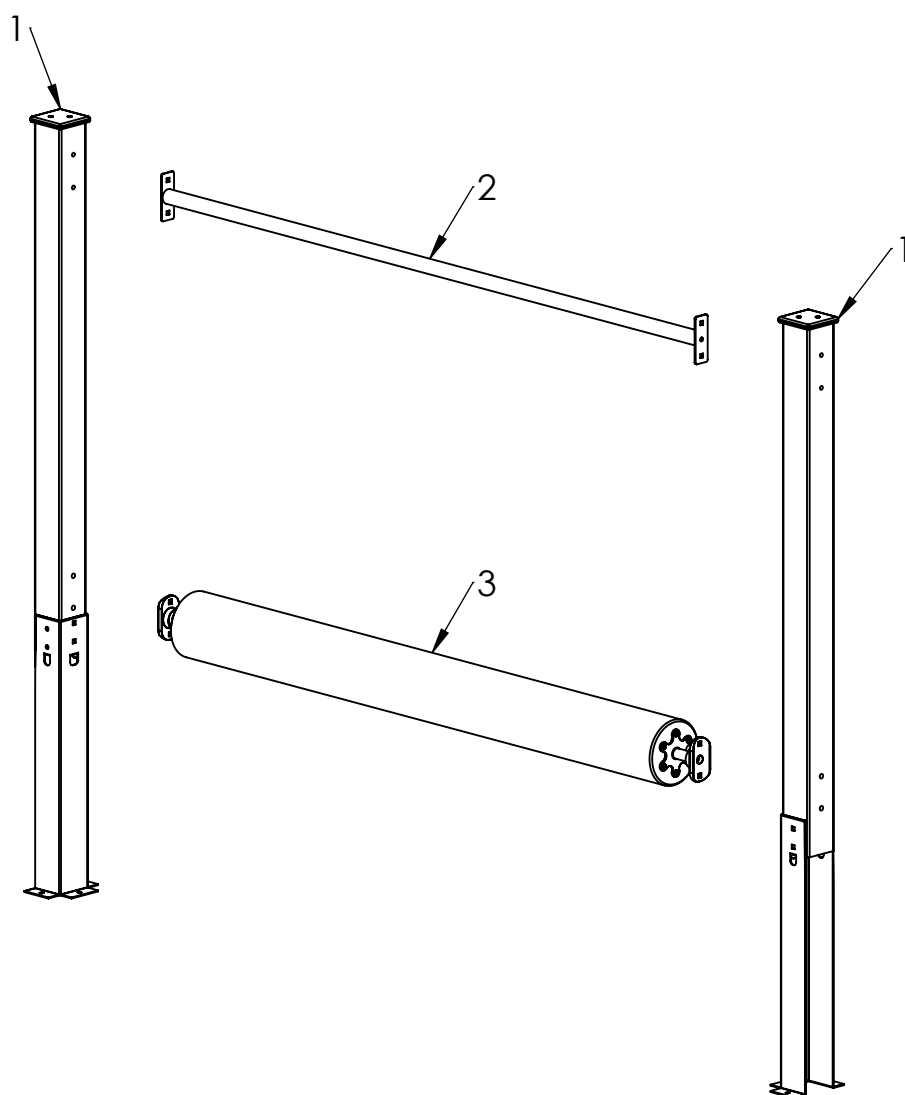
SHEET 4 OF 7

A

B

C

D



E

ITEM NO.	PART NUMBER	DESCRIPTION	QTY.
1	post 98x98x1450	laminated wood	2
2	beam 40x2000	painted steel	1
3	spinning beam	laminated wood, metal	1

F

UNLESS OTHERWISE SPECIFIED:  
DIMENSIONS ARE IN MILLIMETERS  
WEIGHT ARE IN KILOGRAMM

PART NUMBER / DWG NO.:

PLP14

	NAME	SIGNATURE	DATE	REVISION
DRAWN	M.Rebase		14.01.2015	
APPV'D				

DESCRIPTION:

Spinning beam



**Tiptaptap** OÜ

Tiptaptap OÜ  
Veetorni 9,  
Jüri alevik, Rae vald,  
75301 Harjumaa

MATERIAL:

wood, metal, plastic

A4

WEIGHT:

SCALE: 1:20

SHEET 5 OF 7

A

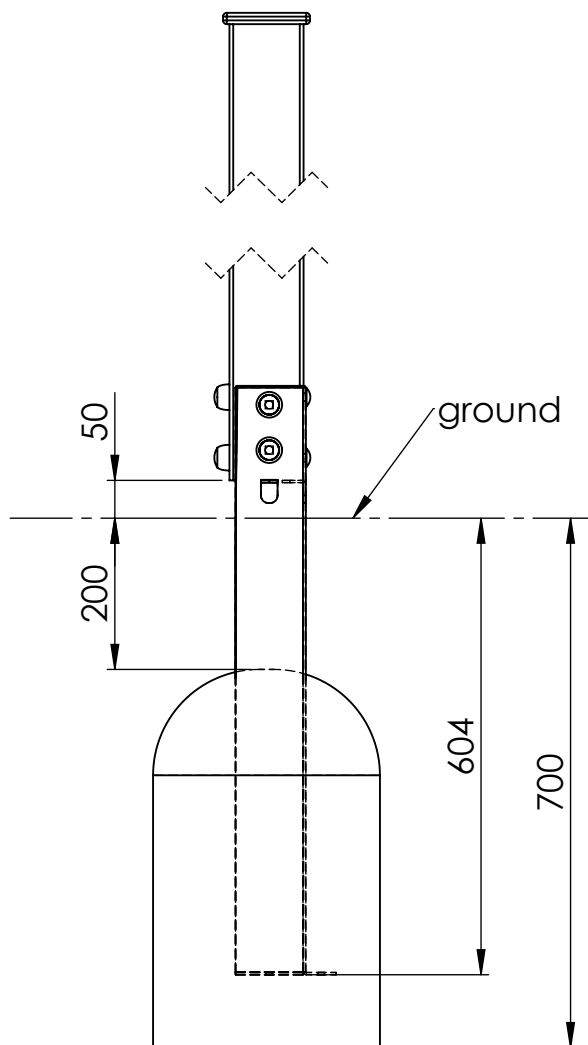
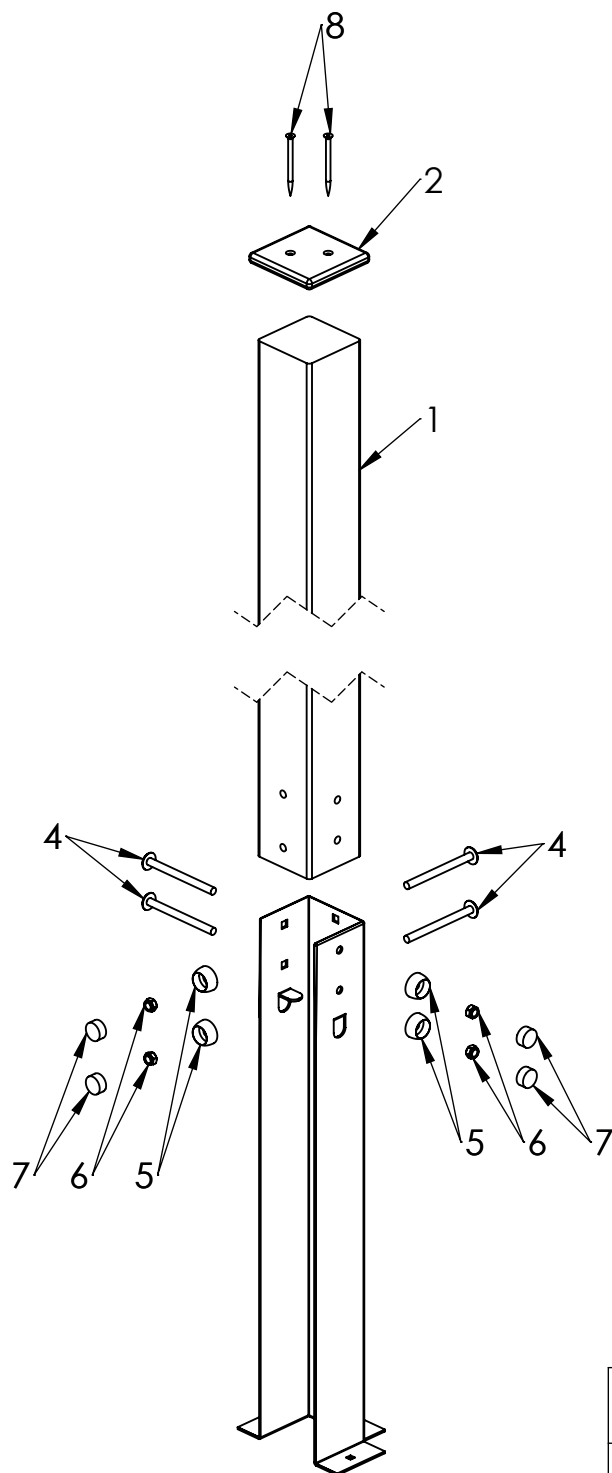
B

C

D

E

F



ITEM NO.	PART NUMBER
1	post 98x98
2	plastic cap 115x115
3	ground fixture U-shape
4	bolt DIN603 M10x120
5	nut cover M10
6	nut DIN985 M10
7	nut cover cap M10
8	woodscrew 6 x 90

UNLESS OTHERWISE SPECIFIED:  
DIMENSIONS ARE IN MILLIMETERS  
WEIGHT ARE IN KILOGRAMM

	NAME	SIGNATURE	DATE	REVISION
DRAWN	M.Rebase		14.01.2015	
APPV'D				

PART NUMBER / DWG NO.:

PLP14

DESCRIPTION:

Spinning beam  
connecting ground fixture to post

MATERIAL:

wood, metal, plastic

A4

WEIGHT:

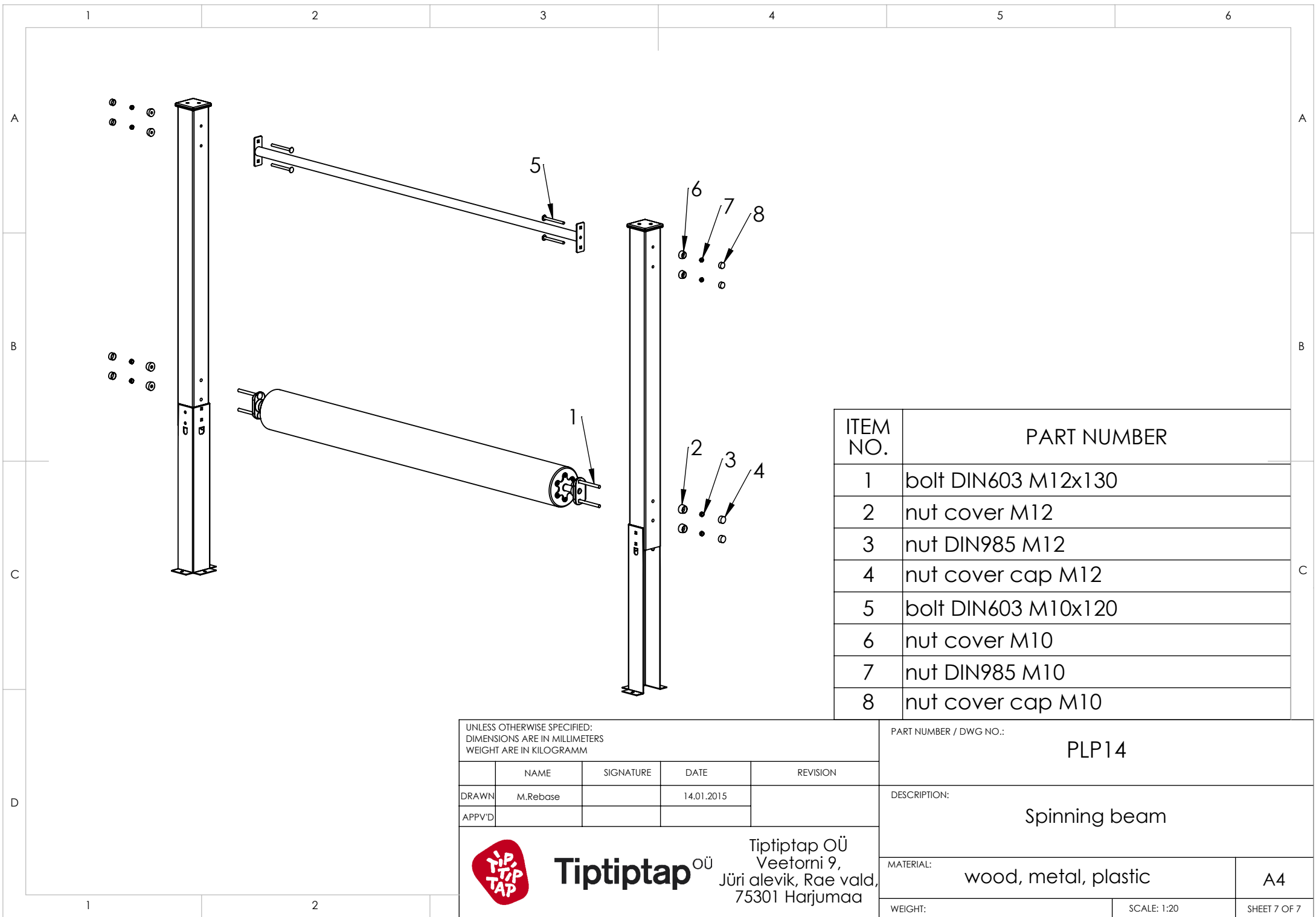
SCALE: 1:10

SHEET 6 OF 7



**Tiptap** OÜ

Tiptap OÜ  
Veetorni 9,  
Jüri alevik, Rae vald,  
75301 Harjumaa



ITEM NO.	PART NUMBER
1	bolt DIN603 M12x130
2	nut cover M12
3	nut DIN985 M12
4	nut cover cap M12
5	bolt DIN603 M10x120
6	nut cover M10
7	nut DIN985 M10
8	nut cover cap M10

UNLESS OTHERWISE SPECIFIED:  
 DIMENSIONS ARE IN MILLIMETERS  
 WEIGHT ARE IN KILOGRAMM

	NAME	SIGNATURE	DATE	REVISION
DRAWN	M.Rebase		14.01.2015	
APPV'D				

PART NUMBER / DWG NO.:  
**PLP14**

DESCRIPTION:  
**Spinning beam**



**Tiptaptap** OÜ  
 Veetorni 9,  
 Jüri alevik, Rae vald,  
 75301 Harjumaa

MATERIAL:	wood, metal, plastic	A4
WEIGHT:		SCALE: 1:20
		SHEET 7 OF 7