

1

2

3

4

A

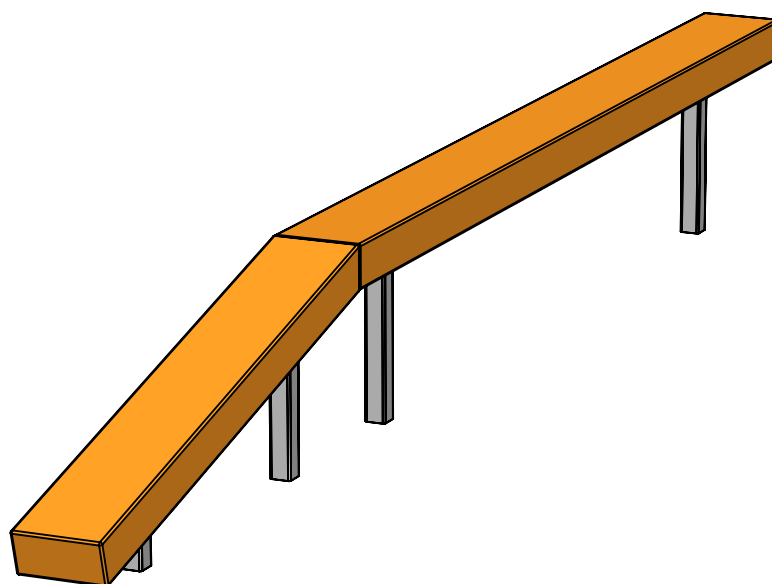
B

C

D

E

F



UNLESS OTHERWISE SPECIFIED:
DIMENSIONS ARE IN MILLIMETERS
WEIGHT ARE IN KILOGRAMM

PART NUMBER / DWG NO.:

PLP112 W

	NAME	SIGNATURE	DATE	REVISION
DRAWN	M. Rebase		05.09.2014	
APPV'D				

DESCRIPTION:

Beam with slope (wide)



Tiptaptap OÜ

Tiptaptap OÜ
Veetorni 9,
Jüri alevik, Rae vald,
75301 Harjumaa

MATERIAL:

wood, metal

A4

WEIGHT:

SCALE: 1:15

SHEET 1 OF 6

safety area

A

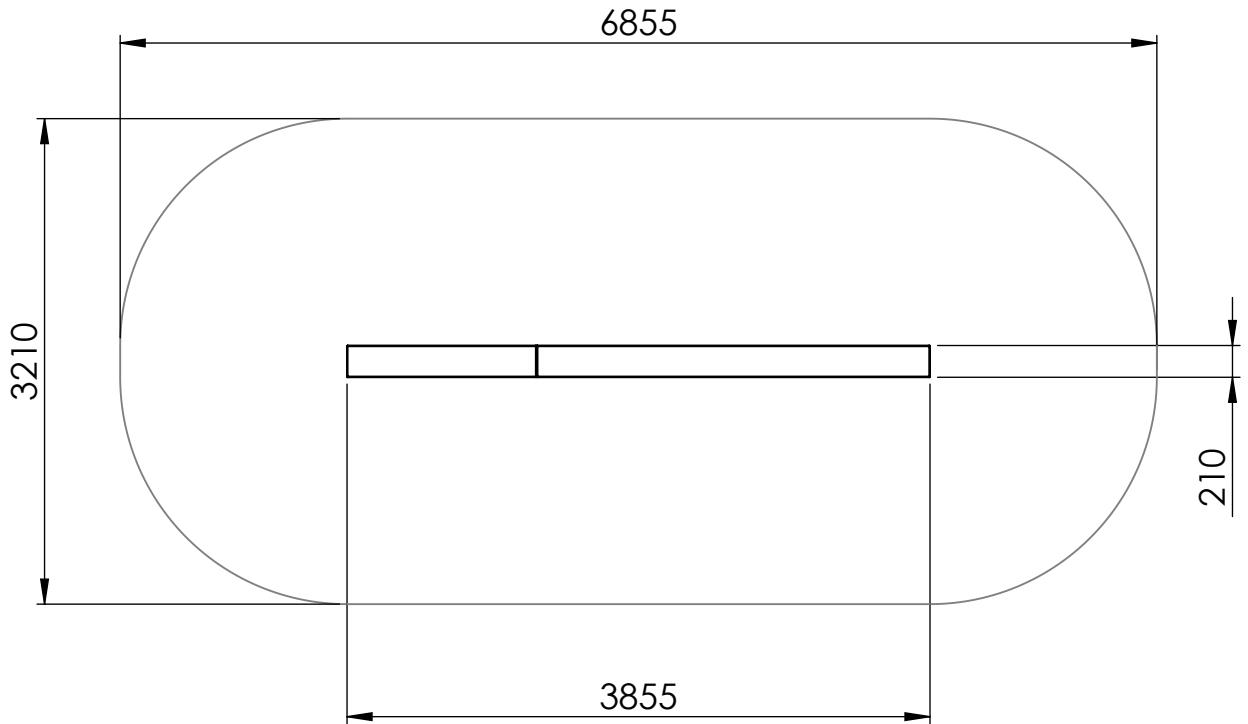
B

C

D

E

F



UNLESS OTHERWISE SPECIFIED:
DIMENSIONS ARE IN MILLIMETERS
WEIGHT ARE IN KILOGRAMM

PART NUMBER / DWG NO.:

PLP112 W

	NAME	SIGNATURE	DATE	REVISION
DRAWN	M. Rebase		05.09.2014	
APPV'D				

DESCRIPTION:

Beam with slope (wide)



Tiptaptap OÜ

Tiptaptap OÜ
Veetorni 9,
Jüri alevik, Rae vald,
75301 Harjumaa

MATERIAL:

wood, metal

A4

WEIGHT:

SCALE: 1:25

SHEET 2 OF 6

foundation

A

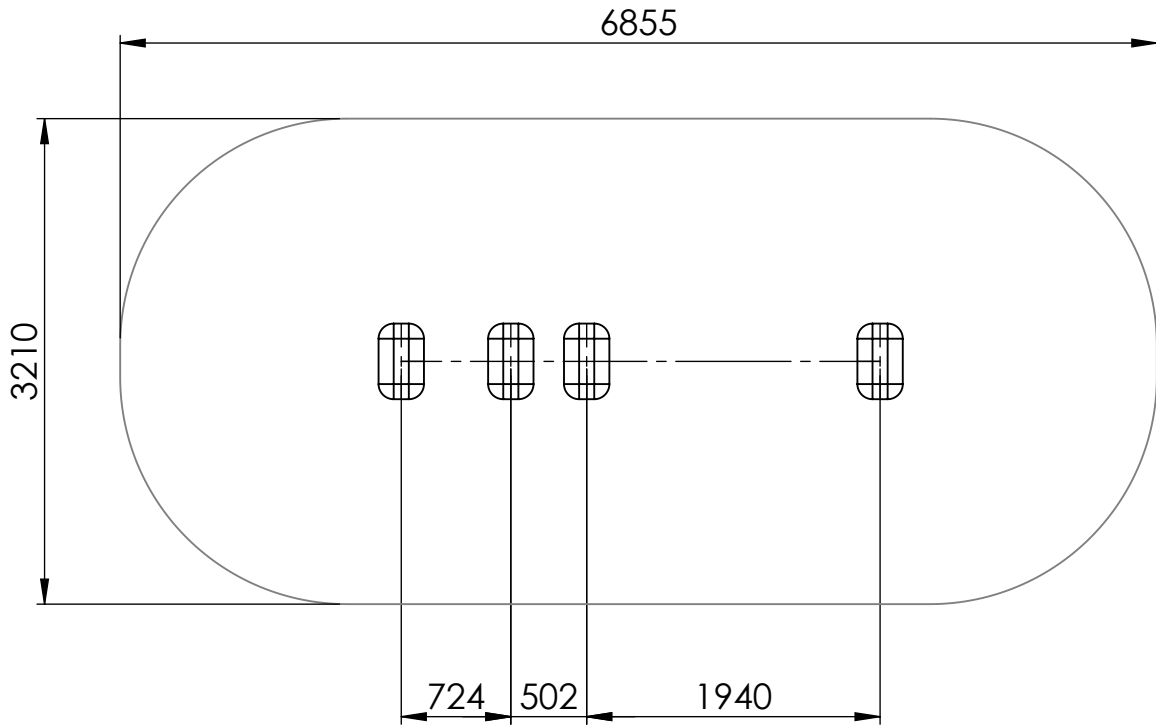
B

C

D

E

F



UNLESS OTHERWISE SPECIFIED: DIMENSIONS ARE IN MILLIMETERS WEIGHT ARE IN KILOGRAMM				
	NAME	SIGNATURE	DATE	REVISION
DRAWN	M. Rebase		05.09.2014	
APPV'D				

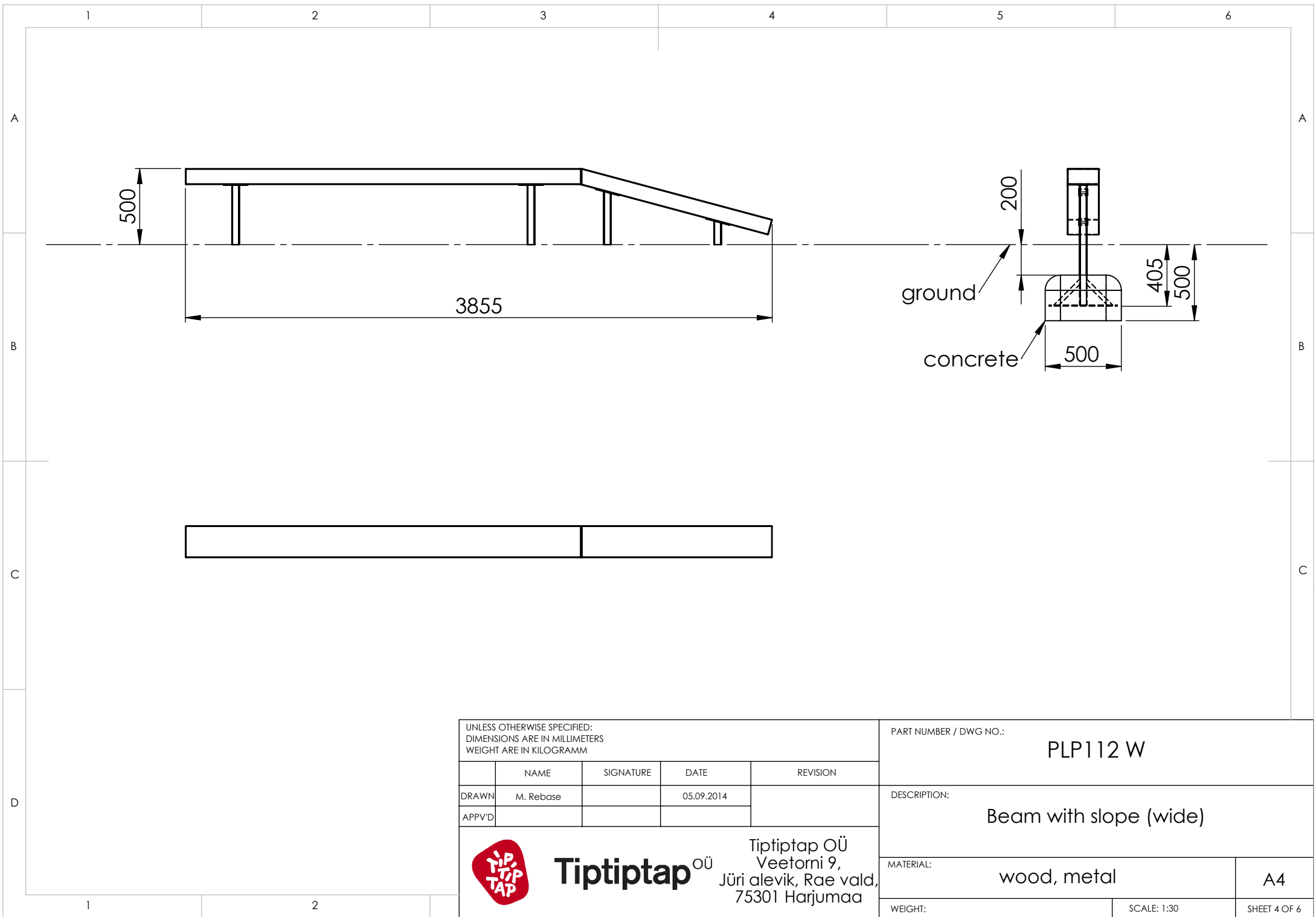
PART NUMBER / DWG NO.:
PLP112 W

DESCRIPTION:
Beam with slope (wide)



Tiptiptap OÜ
Veetorni 9,
Jüri alevik, Rae vald,
75301 Harjumaa

MATERIAL:	wood, metal	A4
WEIGHT:	SCALE: 1:25	SHEET 3 OF 6



UNLESS OTHERWISE SPECIFIED:
DIMENSIONS ARE IN MILLIMETERS
WEIGHT ARE IN KILOGRAMM

	NAME	SIGNATURE	DATE	REVISION
DRAWN	M. Rebase		05.09.2014	
APPV'D				

Tiptiptap OÜ
 Tiptiptap OÜ
 Veetorni 9,
 Jüri alevik, Rae vald,
 75301 Harjumaa

PART NUMBER / DWG NO.:		PLP112 W	
DESCRIPTION:			
Beam with slope (wide)			
MATERIAL:		wood, metal	A4
WEIGHT:		SCALE: 1:30	SHEET 4 OF 6

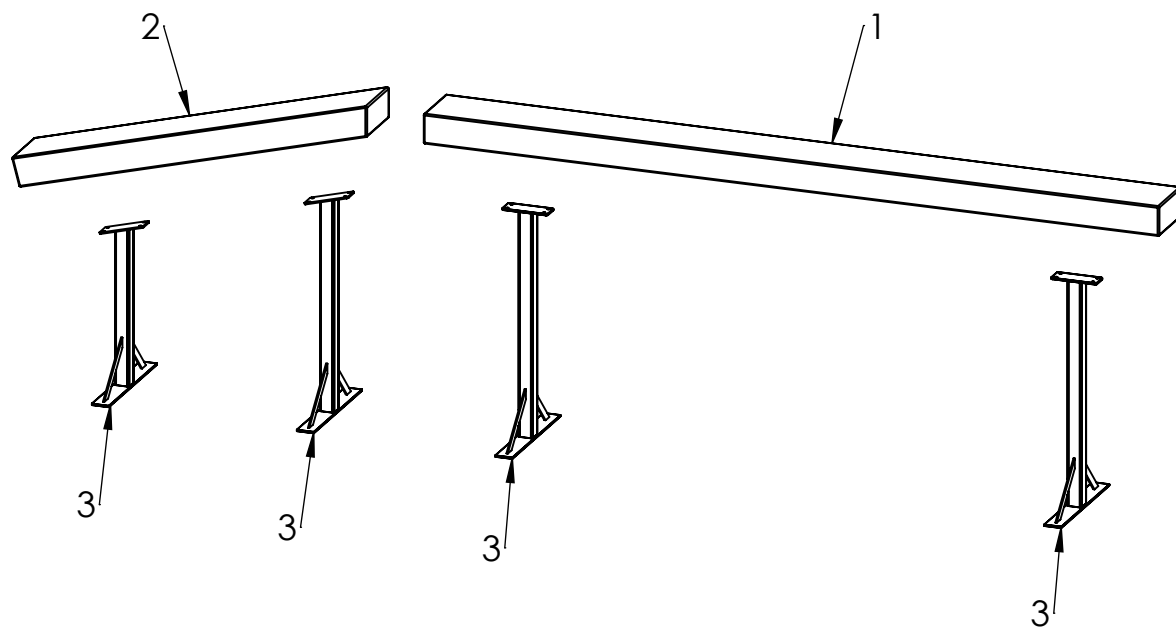
A

B

C

D

E



ITEM NO.	PART NUMBER	DESCRIPTION	QTY.
1	beam 105x210x2600	laminated wood	1
2	beam 105x210x1300	laminated wood	1
3	support leg	galvanized steel	4

UNLESS OTHERWISE SPECIFIED:
DIMENSIONS ARE IN MILLIMETERS
WEIGHT ARE IN KILOGRAMM

PART NUMBER / DWG NO.:

PLP112 W

	NAME	SIGNATURE	DATE	REVISION
DRAWN	M. Rebase		05.09.2014	
APPV'D				

DESCRIPTION:

Beam with slope (wide)

MATERIAL:

wood, metal

A4

WEIGHT:

SCALE: 1:25

SHEET 5 OF 6



Tiptaptap OÜ

Tiptaptap OÜ
Veetorni 9,
Jüri alevik, Rae vald,
75301 Harjumaa

F

A

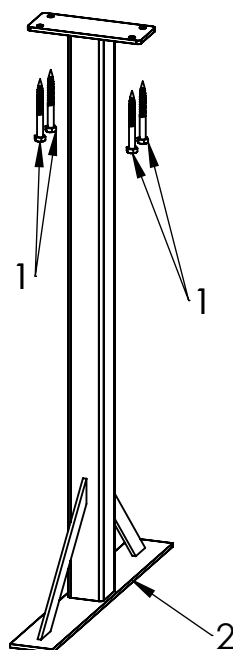
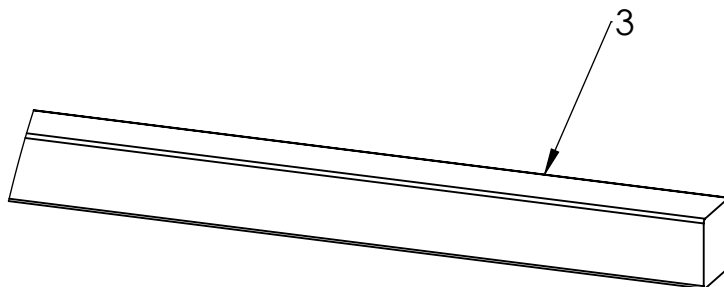
B

C

D

E

F



ITEM NO.	PART NUMBER
1	wood screw DIN571 8x80
2	support leg
3	post 98x98x2600

UNLESS OTHERWISE SPECIFIED:
DIMENSIONS ARE IN MILLIMETERS
WEIGHT ARE IN KILOGRAMM

	NAME	SIGNATURE	DATE	REVISION
DRAWN	M. Rebase		05.09.2014	
APPV'D				

PART NUMBER / DWG NO.:

PLP112 W

DESCRIPTION:

Beam with slope (wide)

MATERIAL:

wood, metal

A4

WEIGHT:

SCALE: 1:10

SHEET 6 OF 6



Tiptaptap OÜ

Tiptaptap OÜ
Veetorni 9,
Jüri alevik, Rae vald,
75301 Harjumaa