

A

B

C

D

E



UNLESS OTHERWISE SPECIFIED:  
 DIMENSIONS ARE IN MILLIMETERS  
 WEIGHT ARE IN KILOGRAMM

PART NUMBER / DWG NO.:

OCT106

	NAME	SIGNATURE	DATE	REVISION
DRAWN	M. Kalamees		31-Jan-20	
APPV'D				

DESCRIPTION:

Climbing complex

F



**Tiptaptap** OÜ

Tiptaptap OÜ  
 Veetorni 9,  
 Jüri alevik, Rae vald,  
 75301 Harjumaa

MATERIAL:

metal, plastic, rubber

A4

WEIGHT:

SCALE: 1:40

SHEET 1 OF 8

# safety area

A

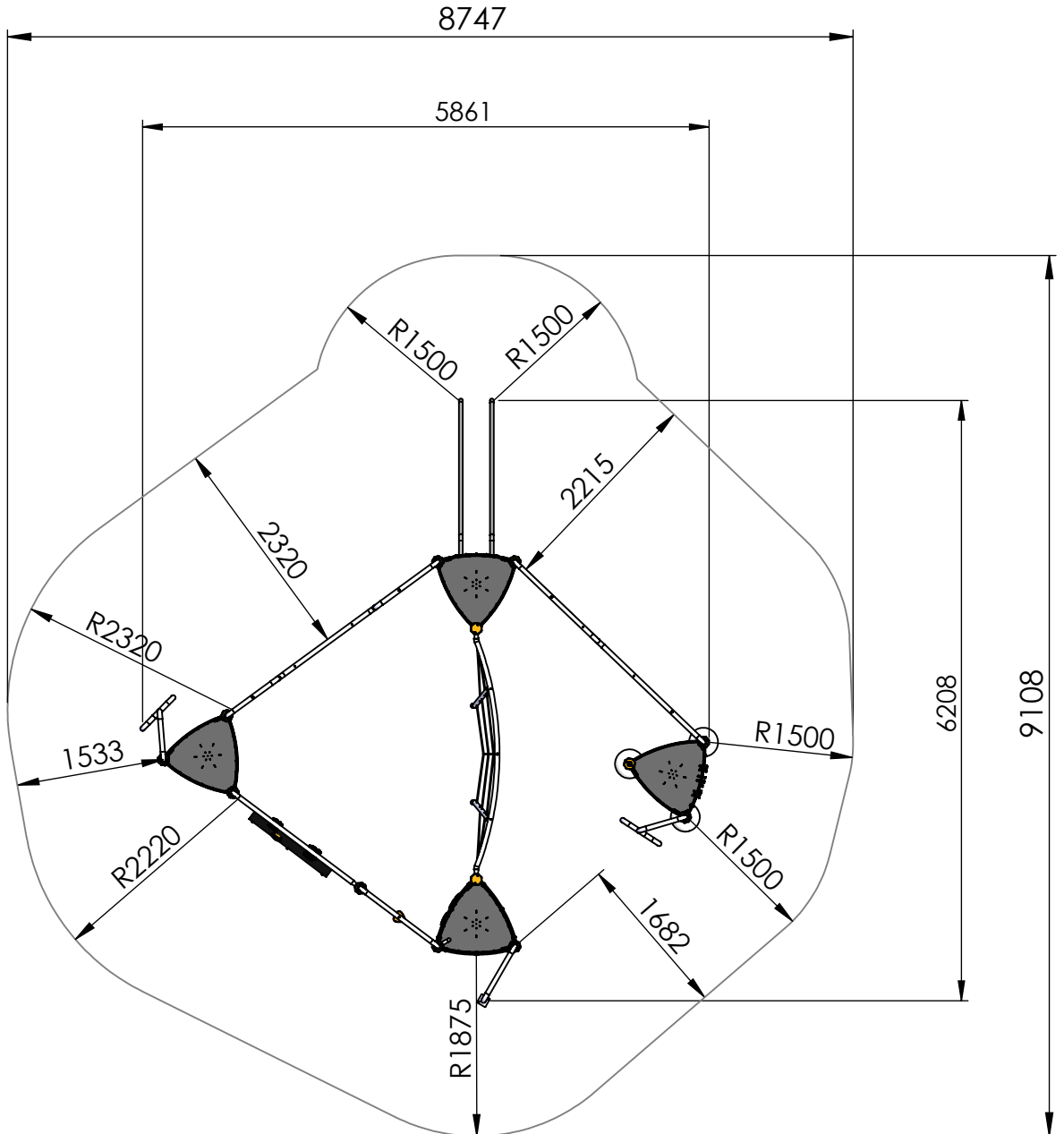
B

C

D

E

F



UNLESS OTHERWISE SPECIFIED:  
DIMENSIONS ARE IN MILLIMETERS  
WEIGHT ARE IN KILOGRAMM

PART NUMBER / DWG NO.:

OCT106

	NAME	SIGNATURE	DATE	REVISION
DRAWN	M. Kalamees		31-Jan-20	
APPV'D				

DESCRIPTION:

Climbing complex

MATERIAL:

metal, plastic, rubber

A4

WEIGHT:

SCALE: 1:70

SHEET 2 OF 8



**Tiptap** OÜ

Tiptap OÜ  
Veetorni 9,  
Jüri alevik, Rae vald,  
75301 Harjumaa

# foundation

A

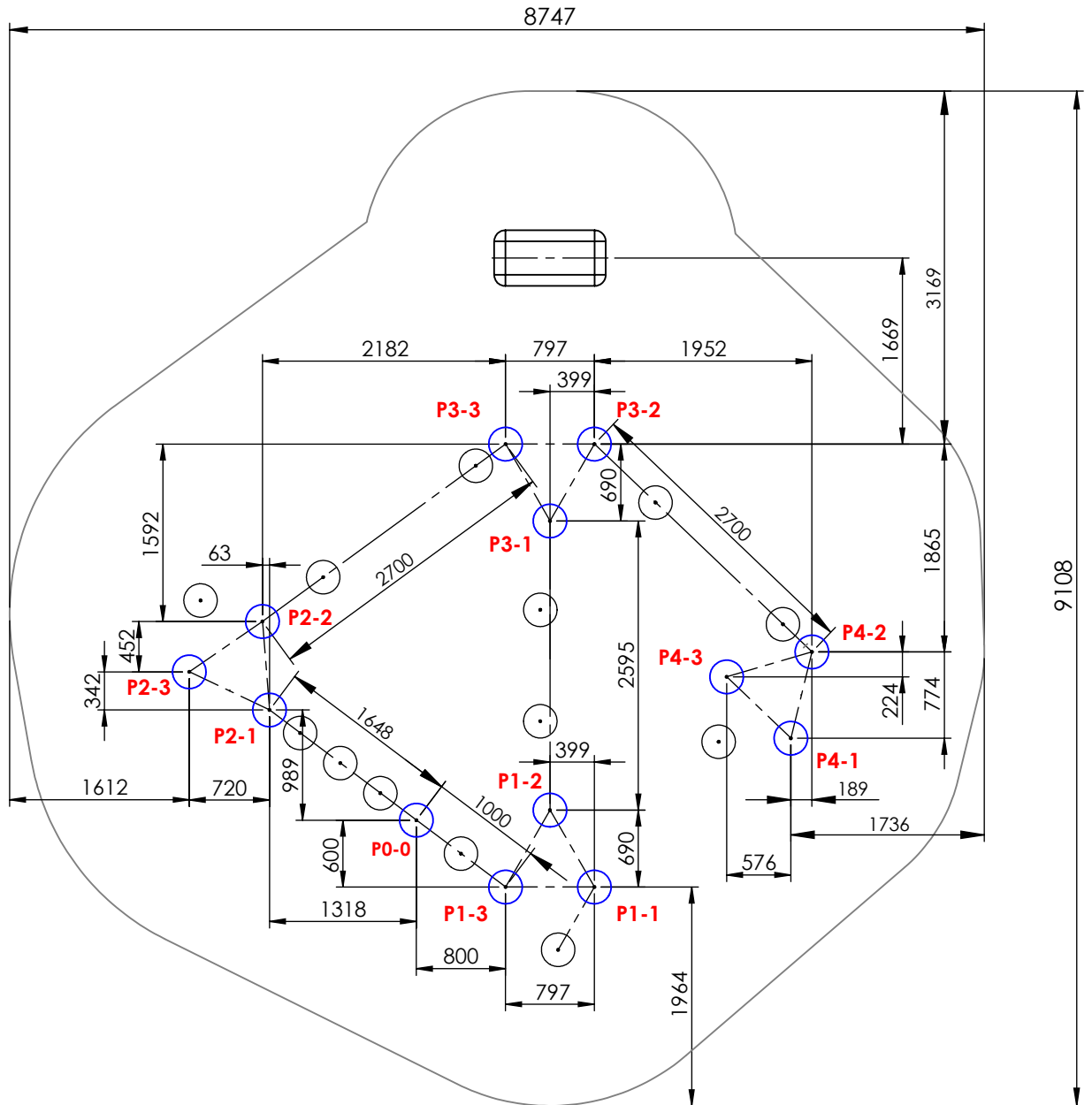
B

C

D

E

F



UNLESS OTHERWISE SPECIFIED:  
DIMENSIONS ARE IN MILLIMETERS  
WEIGHT ARE IN KILOGRAMM

PART NUMBER / DWG NO.:

OCT106

	NAME	SIGNATURE	DATE	REVISION
DRAWN	M. Kalamees		31-Jan-20	
APPV'D				

DESCRIPTION:

Climbing complex



**Tiptiptap** OÜ

Tiptiptap OÜ  
Veetorni 9,  
Jüri alevik, Rae vald,  
75301 Harjumaa

MATERIAL:

metal, plastic, rubber

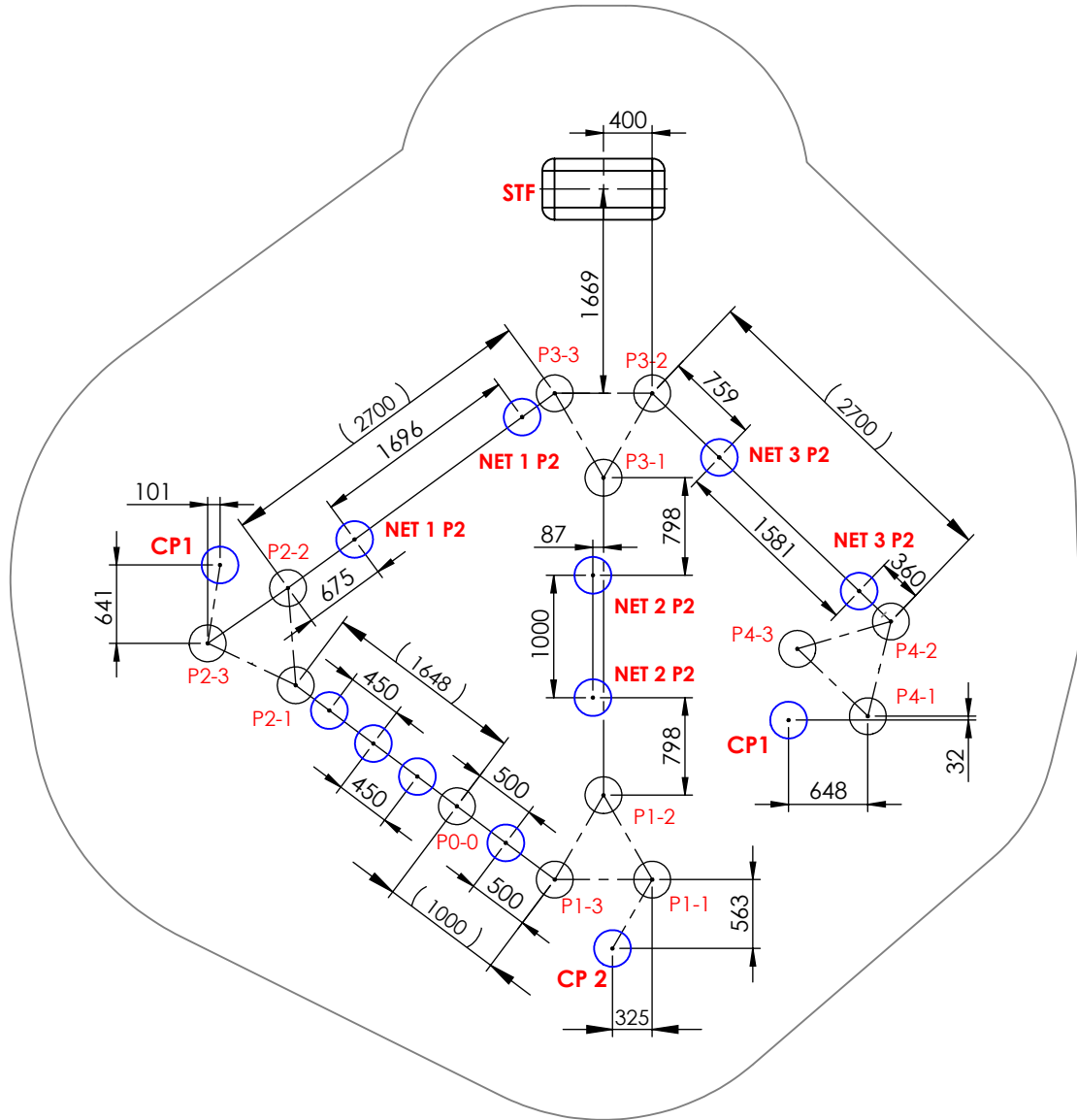
A4

WEIGHT:

SCALE: 1:60

SHEET 3 OF 8

# foundation



UNLESS OTHERWISE SPECIFIED:  
DIMENSIONS ARE IN MILLIMETERS  
WEIGHT ARE IN KILOGRAMM

PART NUMBER / DWG NO.:

OCT106

	NAME	SIGNATURE	DATE	REVISION
DRAWN	M. Kalamees		31-Jan-20	
APPV'D				

DESCRIPTION:

Climbing complex



**Tiptaptap** OÜ

Tiptaptap OÜ  
Veetorni 9,  
Jüri alevik, Rae vald,  
75301 Harjumaa

MATERIAL:

metal, plastic, rubber

A4

WEIGHT:

SCALE: 1:60

SHEET 4 OF 8

A

B

C

D

E

ground

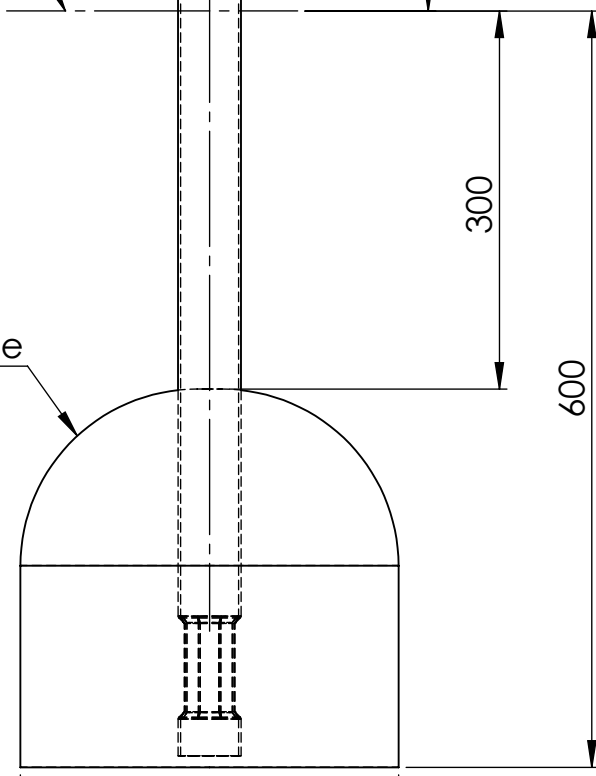
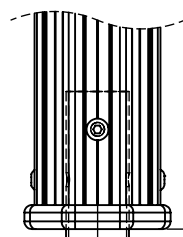
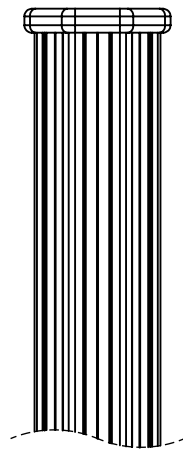
concrete

50

300

600

Ø 300



UNLESS OTHERWISE SPECIFIED:  
 DIMENSIONS ARE IN MILLIMETERS  
 WEIGHT ARE IN KILOGRAMM

PART NUMBER / DWG NO.: **OCT106**

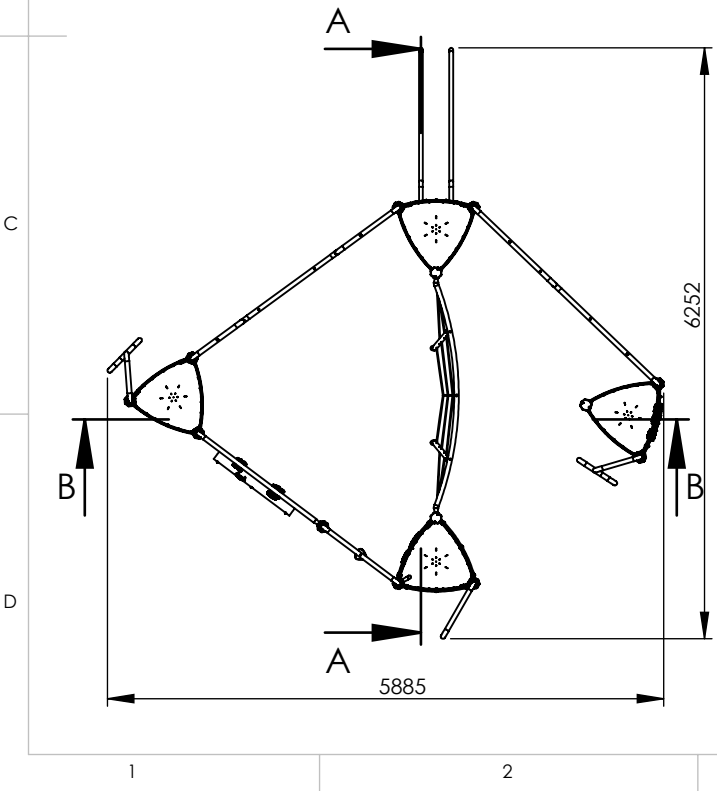
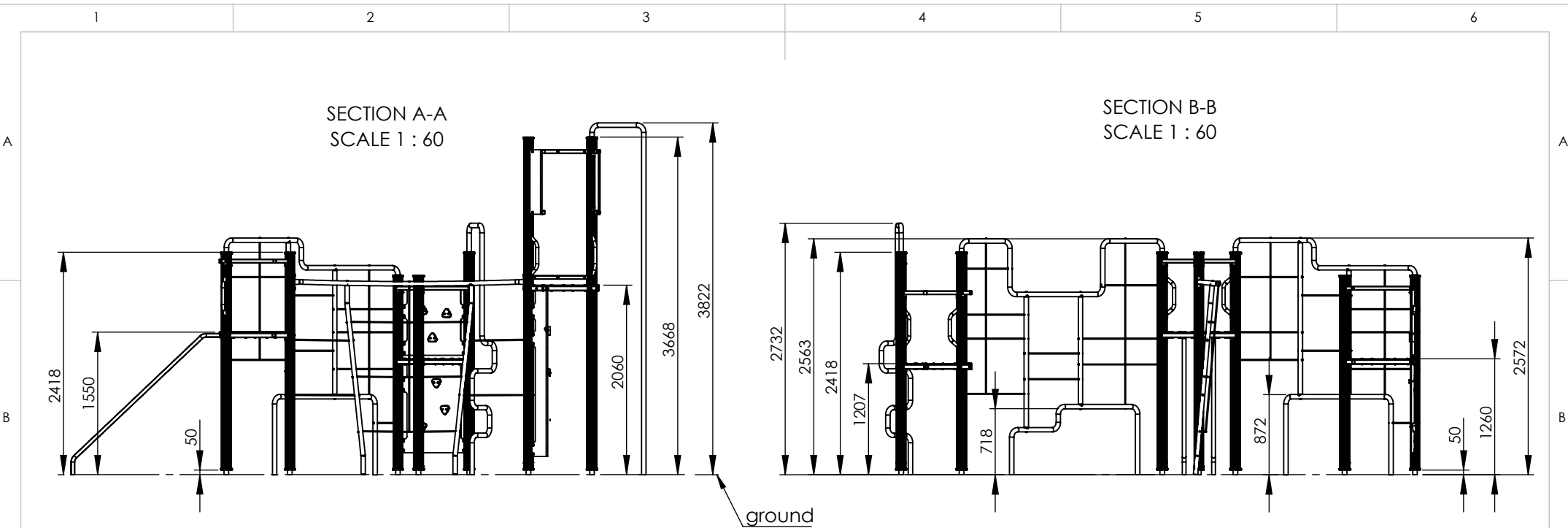
	NAME	SIGNATURE	DATE	REVISION
DRAWN	M. Kalamees		31-Jan-20	
APPV'D				

DESCRIPTION:  
**Climbing complex**



**Tiptiptap** OÜ  
 Veetorni 9,  
 Jüri alevik, Rae vald,  
 75301 Harjumaa

MATERIAL:	metal, plastic, rubber	A4
WEIGHT:	SCALE: 1:6	SHEET 5 OF 8



UNLESS OTHERWISE SPECIFIED:  
 DIMENSIONS ARE IN MILLIMETERS  
 WEIGHT ARE IN KILOGRAMM

	NAME	SIGNATURE	DATE	REVISION
DRAWN	M. Kalamees		31-Jan-20	
APPV'D				

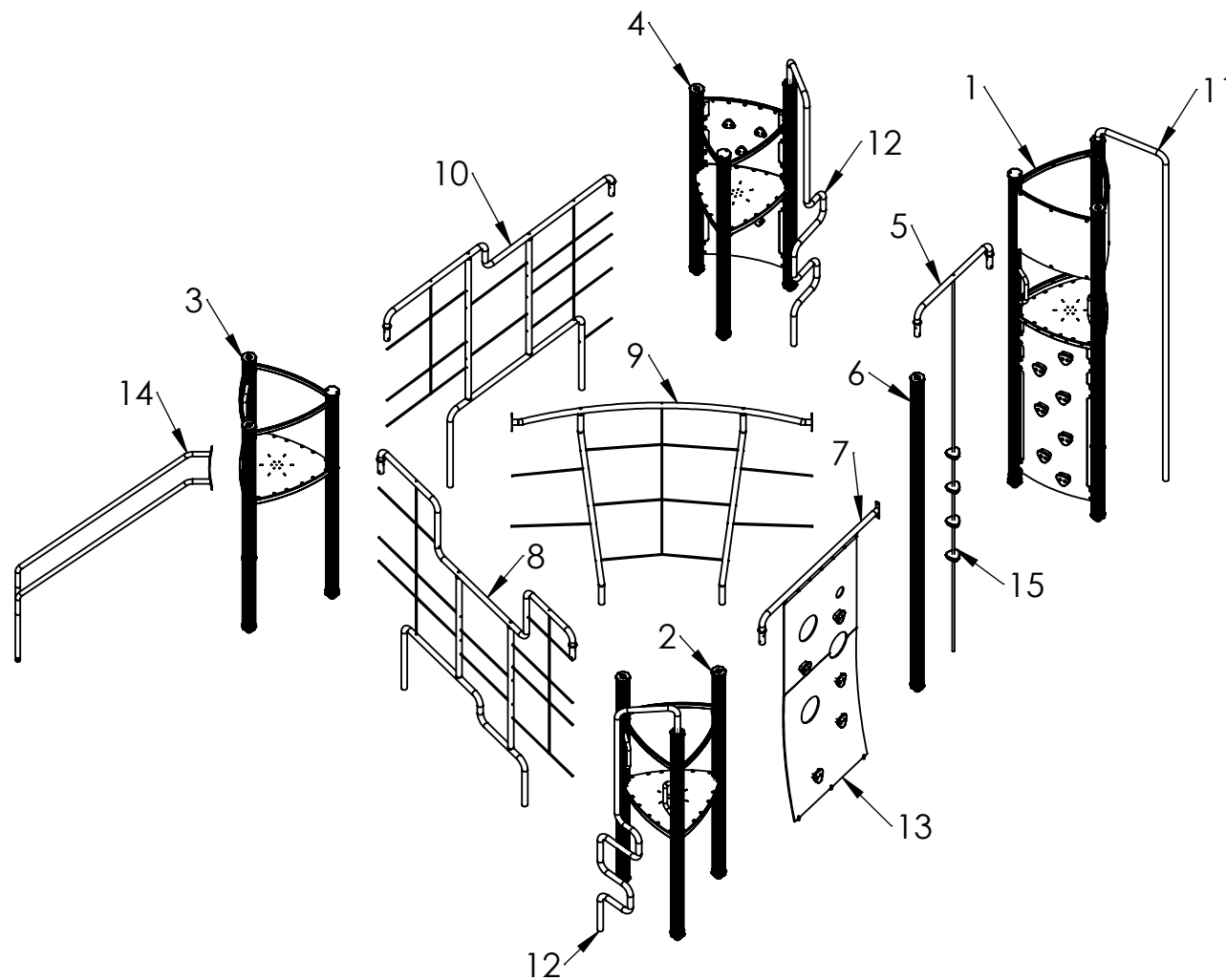
PART NUMBER / DWG NO.:  
**OCT106**

DESCRIPTION:  
**Climbing complex**



**Tiptaptap** OÜ  
 Veetorni 9,  
 Jüri alevik, Rae vald,  
 75301 Harjumaa

MATERIAL:	metal, plastic, rubber	A4
WEIGHT:	SCALE: 1:80	SHEET 6 OF 8



UNLESS OTHERWISE SPECIFIED:  
 DIMENSIONS ARE IN MILLIMETERS  
 WEIGHT ARE IN KILOGRAMM

PART NUMBER / DWG NO.: **OCT106**

	NAME	SIGNATURE	DATE	REVISION
DRAWN	M. Kalamees		31-Jan-20	
APPV'D				

DESCRIPTION:  
**Climbing complex**



**Tiptaptap** OÜ  
 Veetorni 9,  
 Jüri alevik, Rae vald,  
 75301 Harjumaa

MATERIAL:	metal, plastic, rubber	A4
WEIGHT:	SCALE: 1:60	SHEET 7 OF 8

	1	2	3	4
	ITEM NO.	PART NUMBER	DESCRIPTION	QTY.
A	1	tower 1	aluminium, rubber, plastic	1
	2	tower 2	aluminium, rubber, plastic	1
	3	tower 3	aluminium, rubber, plastic	1
	4	tower 4	aluminium, rubber, plastic	1
	5	beam for climbing rope	painted steel $\varnothing$ 44.5x2.6	1
	6	post L3600	painted aluminium	1
B	7	beam with climbing wall connection	painted steel $\varnothing$ 44.5x2.6	1
	8	climbing net 1	painted steel $\varnothing$ 44.5x2.6 PP covered steel wire	1
	9	climbing net 2	painted steel $\varnothing$ 44.5x2.6, PP covered steel wire	1
	10	climbing net 3	painted steel $\varnothing$ 44.5x2.6, PP covered steel wire	1
	11	climbing post type 1	painted steel $\varnothing$ 44.5x2.6	1
	12	climbing post type 2	painted steel $\varnothing$ 44.5x2.6	2
	13	climbing wall 2540x1000 with knots	rubber, HDPE plastic	1
	14	sliding tube frame	stainless steel $\varnothing$ 40x2	1
	15	climbing rope $\varnothing$ 16x4365 with knots	PP covered steel wire	1

C

D

E

F

UNLESS OTHERWISE SPECIFIED:  
DIMENSIONS ARE IN MILLIMETERS  
WEIGHT ARE IN KILOGRAMM

PART NUMBER / DWG NO.:

OCT106

	NAME	SIGNATURE	DATE	REVISION
DRAWN	M. Kalamees		31-Jan-20	
APPV'D				

DESCRIPTION:

Climbing complex

MATERIAL:

metal, plastic, rubber

A4

WEIGHT:

SCALE: 1:60

SHEET 8 OF 8



**Tiptiptap** OÜ

Tiptiptap OÜ  
Veetorni 9,  
Jüri alevik, Rae vald,  
75301 Harjumaa