

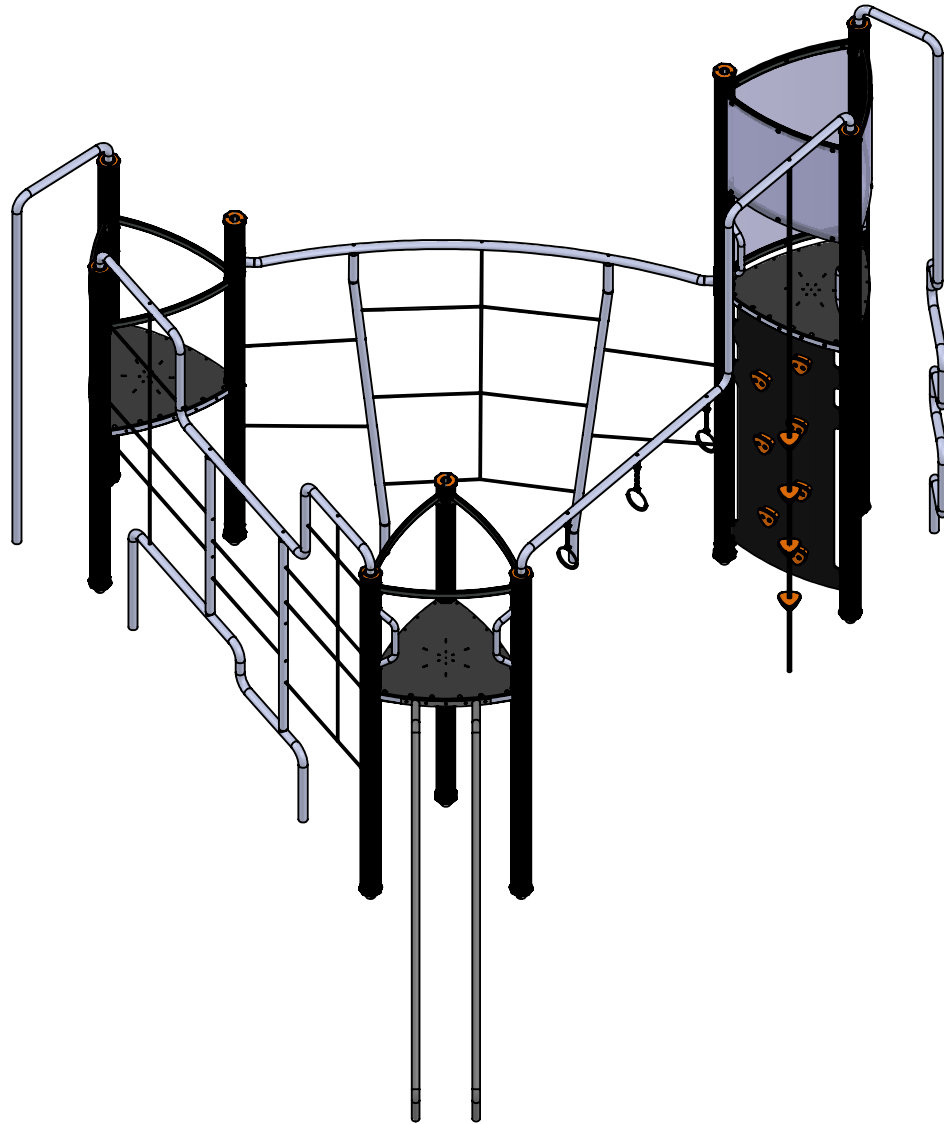
A

B

C

D

E



UNLESS OTHERWISE SPECIFIED:  
 DIMENSIONS ARE IN MILLIMETERS  
 WEIGHT ARE IN KILOGRAMM

PART NUMBER / DWG NO.:

OCT103

	NAME	SIGNATURE	DATE	REVISION
DRAWN	M. Kalamees		31-Jan-20	
APPV'D				

DESCRIPTION:

Climbing complex

MATERIAL:

metal, plastic, rubber

A4

WEIGHT:

SCALE: 1:40

SHEET 1 OF 8

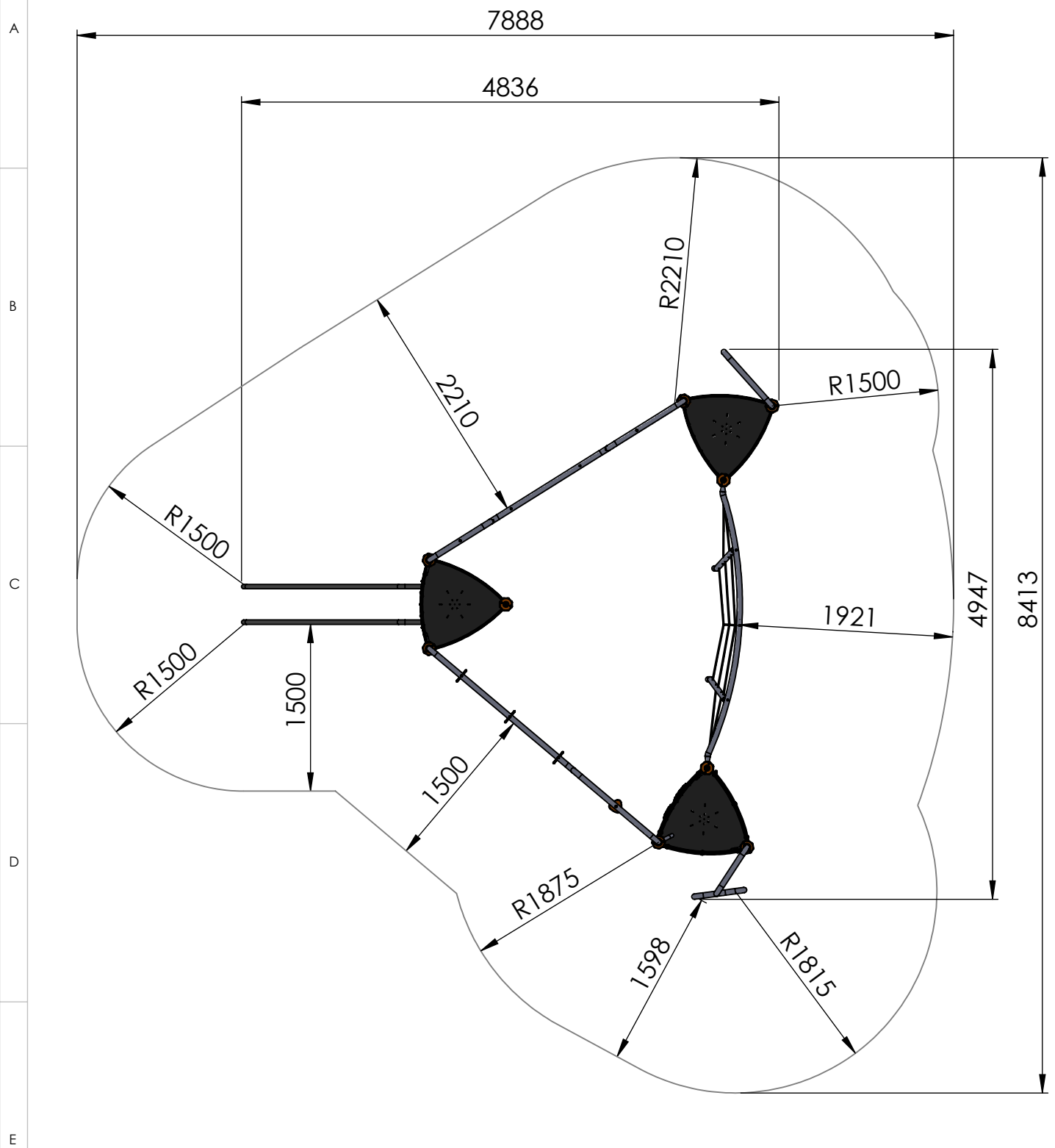
F



**Tiptiptap** OÜ

Tiptiptap OÜ  
 Veetorni 9,  
 Jüri alevik, Rae vald,  
 75301 Harjumaa

# safety area



UNLESS OTHERWISE SPECIFIED:  
DIMENSIONS ARE IN MILLIMETERS  
WEIGHT ARE IN KILOGRAMM

PART NUMBER / DWG NO.:

OCT103

	NAME	SIGNATURE	DATE	REVISION
DRAWN	M. Kalamees		31-Jan-20	
APPV'D				

DESCRIPTION:

Climbing complex



**Tiptiptap** OÜ

Tiptiptap OÜ  
Veetorni 9,  
Jüri alevik, Rae vald,  
75301 Harjumaa

MATERIAL:

metal, plastic, rubber

A4

WEIGHT:

SCALE: 1:100

SHEET 2 OF 8

# foundation

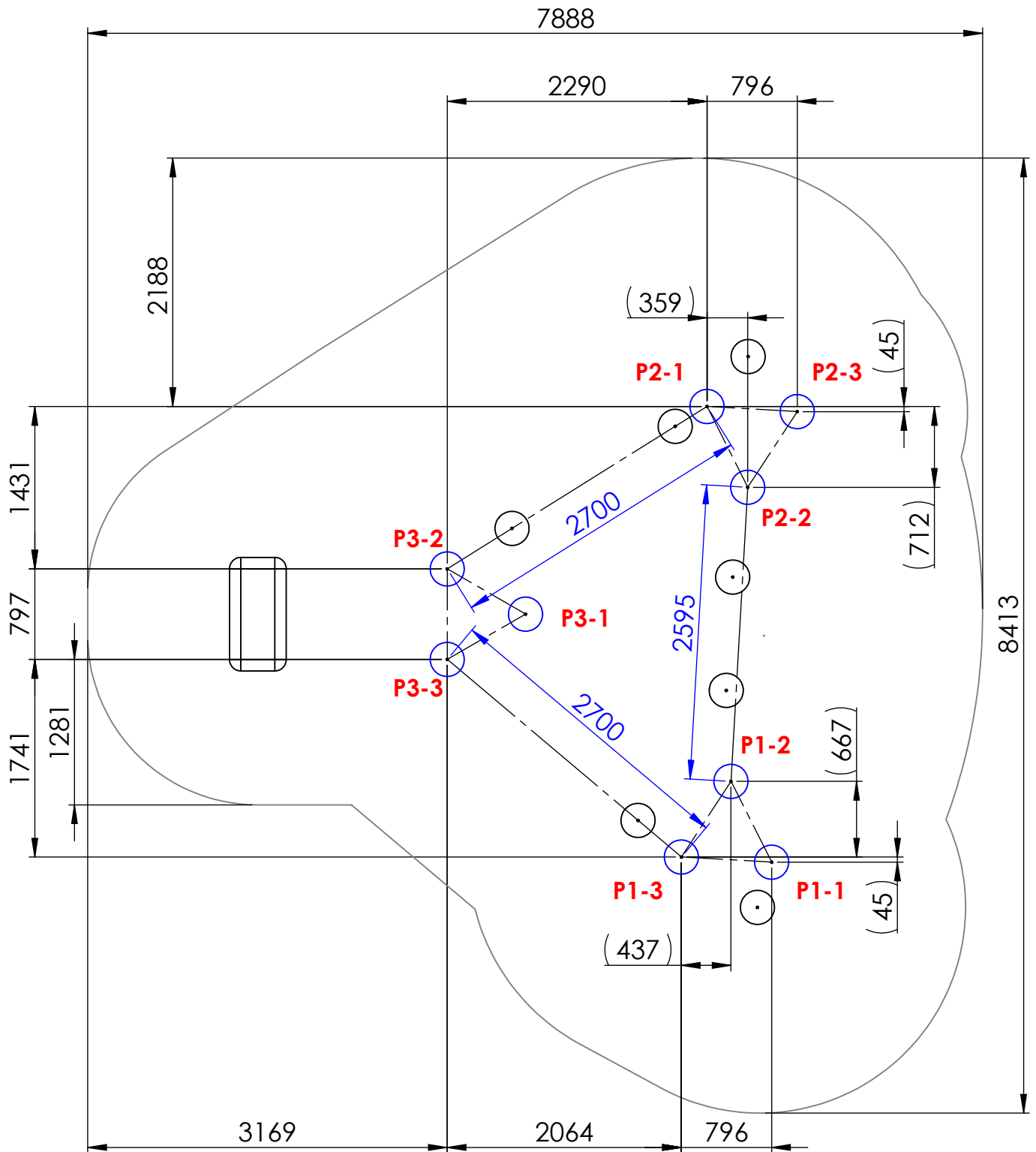
A

B

C

D

E



UNLESS OTHERWISE SPECIFIED:  
DIMENSIONS ARE IN MILLIMETERS  
WEIGHT ARE IN KILOGRAMM

PART NUMBER / DWG NO.:

OCT103

	NAME	SIGNATURE	DATE	REVISION
DRAWN	M. Kalamees		31-Jan-20	
APPV'D				

DESCRIPTION:

Climbing complex



**Tiptiptap** OÜ

Tiptiptap OÜ  
Veetorni 9,  
Jüri alevik, Rae vald,  
75301 Harjumaa

MATERIAL:

metal, plastic, rubber

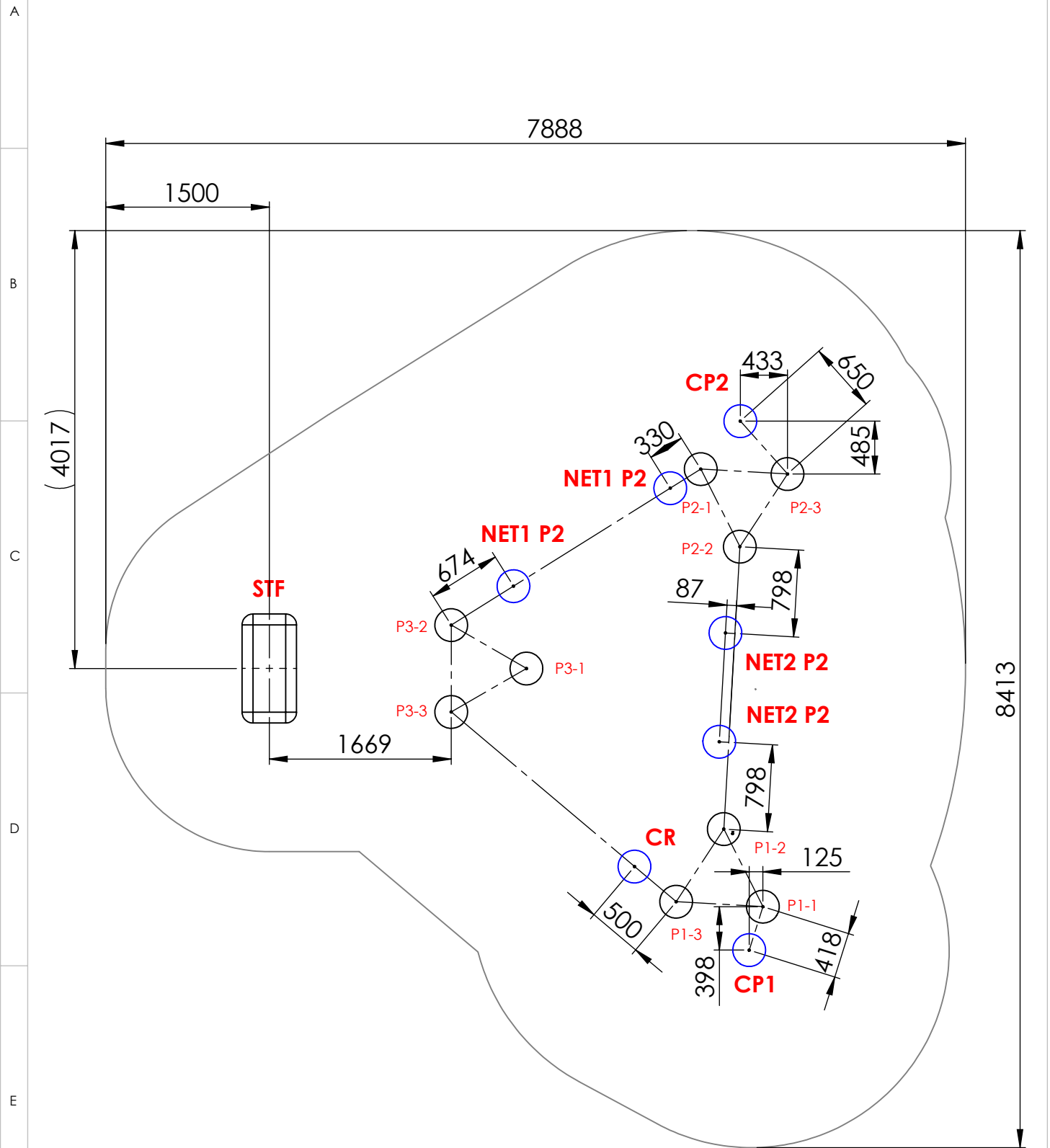
A4

WEIGHT:

SCALE: 1:50

SHEET 3 OF 8

# foundation



UNLESS OTHERWISE SPECIFIED:  
DIMENSIONS ARE IN MILLIMETERS  
WEIGHT ARE IN KILOGRAMM

PART NUMBER / DWG NO.:

OCT103

	NAME	SIGNATURE	DATE	REVISION
DRAWN	M. Kalamees		31-Jan-20	
APPV'D				

DESCRIPTION:

Climbing complex



**Tiptiptap** OÜ

Tiptiptap OÜ  
Veetorni 9,  
Jüri alevik, Rae vald,  
75301 Harjumaa

MATERIAL:

metal, plastic, rubber

A4

WEIGHT:

SCALE: 1:50

SHEET 4 OF 8

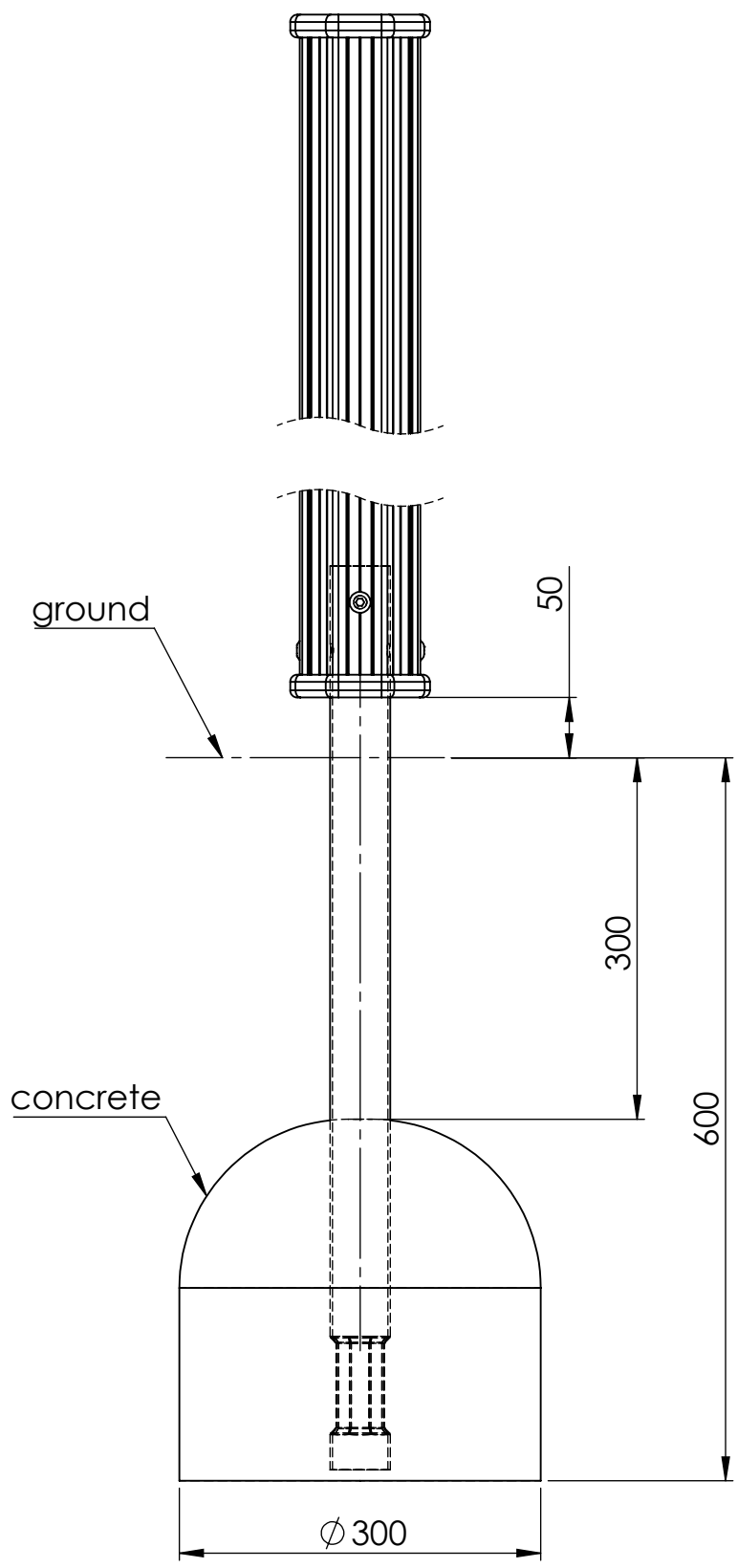
A

B

C

D

E



UNLESS OTHERWISE SPECIFIED:  
 DIMENSIONS ARE IN MILLIMETERS  
 WEIGHT ARE IN KILOGRAMM

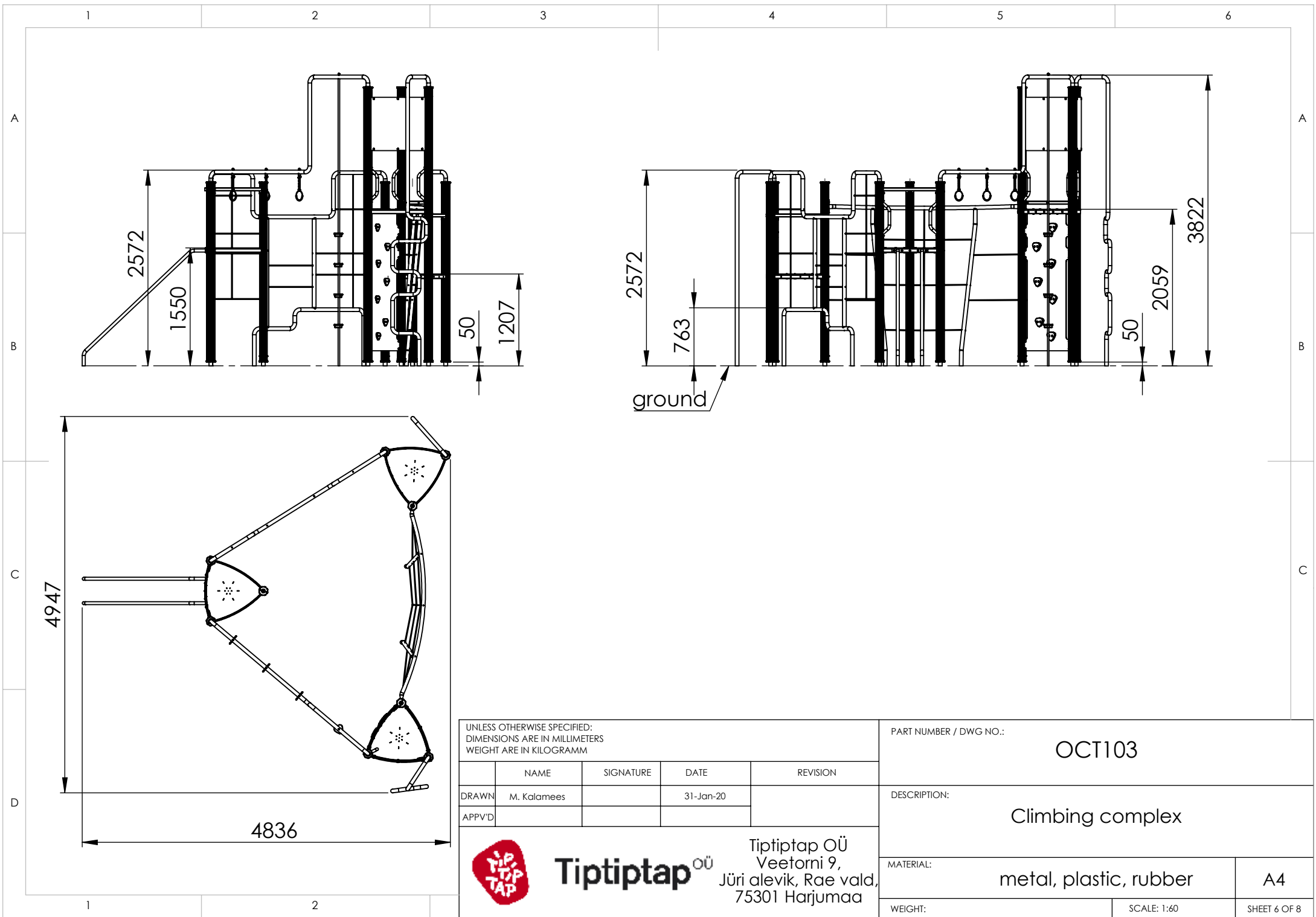
PART NUMBER / DWG NO.:  
**OCT103**

	NAME	SIGNATURE	DATE	REVISION
DRAWN	M. Kalamees		31-Jan-20	
APPV'D				

DESCRIPTION:  
**Climbing complex**


**Tiptiptap** OÜ  
 Veetorni 9,  
 Jüri alevik, Rae vald,  
 75301 Harjumaa

MATERIAL:	metal, plastic, rubber	A4
WEIGHT:		SCALE: 1:6
		SHEET 5 OF 8



UNLESS OTHERWISE SPECIFIED:  
 DIMENSIONS ARE IN MILLIMETERS  
 WEIGHT ARE IN KILOGRAMM

PART NUMBER / DWG NO.:  
**OCT103**

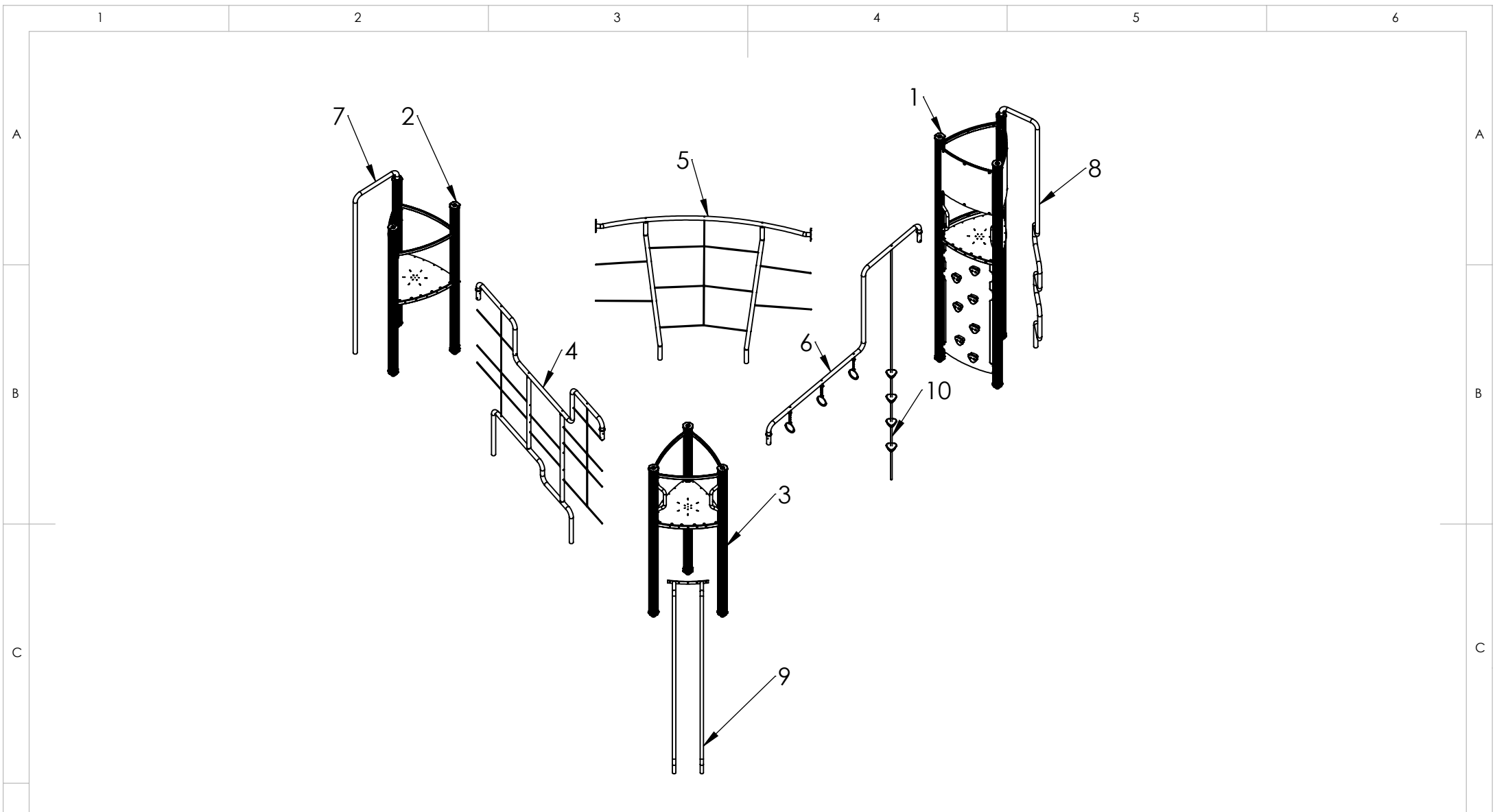
	NAME	SIGNATURE	DATE	REVISION
DRAWN	M. Kalamees		31-Jan-20	
APPV'D				


DESCRIPTION:  
**Climbing complex**



**Tiptaptap** OÜ  
 Veetorni 9,  
 Jüri alevik, Rae vald,  
 75301 Harjumaa

MATERIAL:	metal, plastic, rubber	A4
WEIGHT:	SCALE: 1:60	SHEET 6 OF 8



UNLESS OTHERWISE SPECIFIED: DIMENSIONS ARE IN MILLIMETERS WEIGHT ARE IN KILOGRAMM					PART NUMBER / DWG NO.: <b>OCT103</b>	
	NAME	SIGNATURE	DATE	REVISION	DESCRIPTION: <b>Climbing complex</b>	
DRAWN	M. Kalamees		31-Jan-20			
APPV'D						
 <b>Tiptaptap</b> OÜ Tiptaptap OÜ Veetorni 9, Jüri alevik, Rae vald, 75301 Harjumaa					MATERIAL:	metal, plastic, rubber
					WEIGHT:	SCALE: 1:60
					SHEET 7 OF 8	

ITEM NO.	PART NUMBER	DESCRIPTION	
1	tower 1	painting aluminium, rubber, plastic	1
2	tower 2	painting aluminium, plastic	1
3	tower 3	painting aluminium, plastic	1
4	climbing net 1	painting steel $\varnothing$ 44.5x2.6, PP covered steel wire	1
5	climbing net 2	painting steel $\varnothing$ 44.5x2.6, PP covered steel wire	1
6	beam	painting steel $\varnothing$ 44.5x2.6	1
7	climbing post type 1	painting steel $\varnothing$ 44.5x2.6	1
8	climbing post type 2	painting steel $\varnothing$ 44.5x2.6	1
9	sliding tube frame	stainless steel $\varnothing$ 40x2	1
10	climbing rope $\varnothing$ 16x4365 with knots	PP covered steel wire	1



UNLESS OTHERWISE SPECIFIED:  
DIMENSIONS ARE IN MILLIMETERS  
WEIGHT ARE IN KILOGRAMM

PART NUMBER / DWG NO.:  
**OCT103**

	NAME	SIGNATURE	DATE	REVISION
DRAWN	M. Kalamees		31-Jan-20	
APPV'D				

DESCRIPTION:  
**Climbing complex**



**Tiptiptap** OÜ  
Veetorni 9,  
Jüri alevik, Rae vald,  
75301 Harjumaa

MATERIAL:	metal, plastic, rubber	A4
WEIGHT:	SCALE: 1:60	SHEET 8 OF 8