

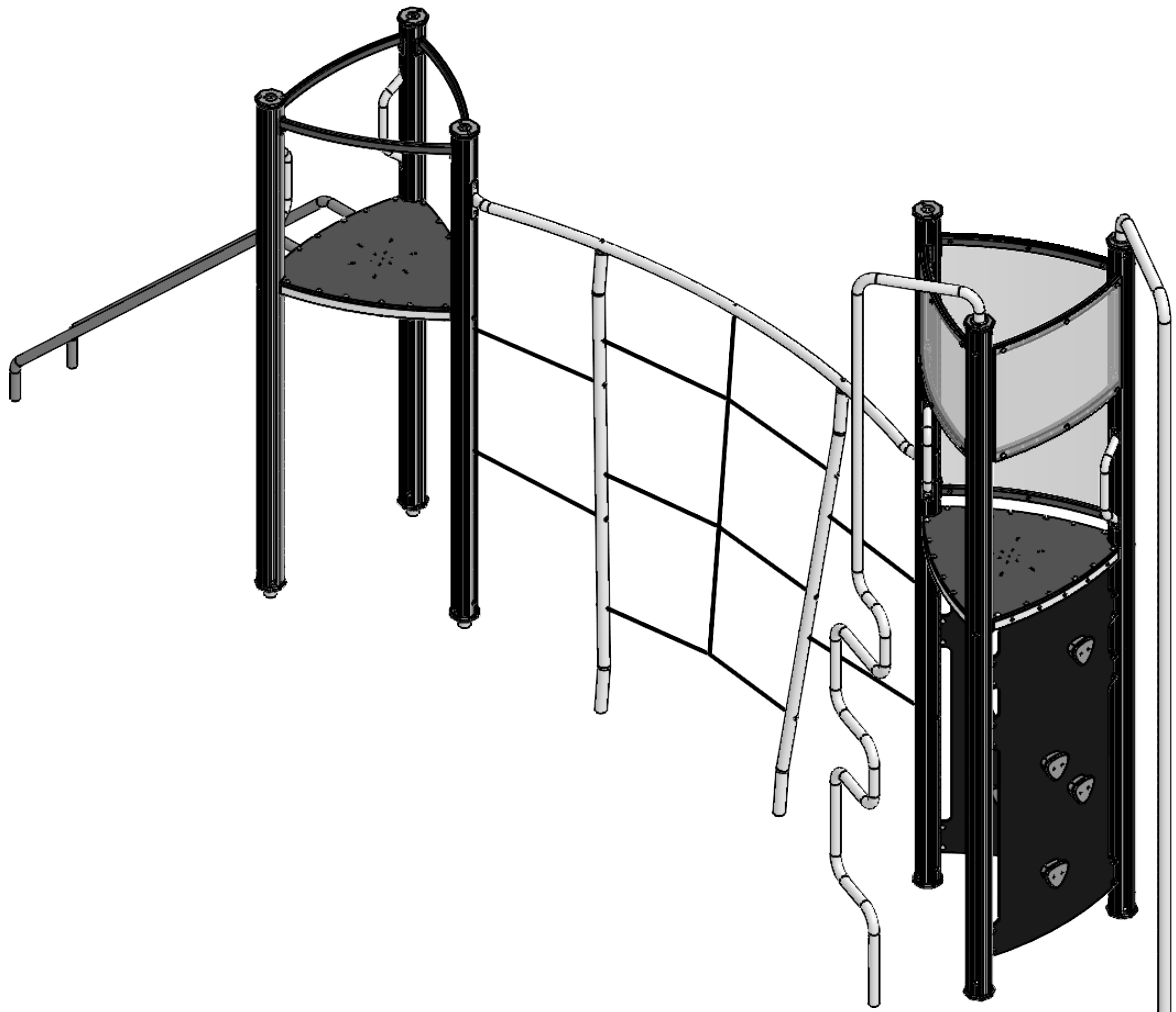
A

B

C

D

E



F

UNLESS OTHERWISE SPECIFIED:
 DIMENSIONS ARE IN MILLIMETERS
 WEIGHT ARE IN KILOGRAMM

PART NUMBER / DWG NO.:

OCT101

	NAME	SIGNATURE	DATE	REVISION
DRAWN	I.Agar		23.09.2020	
APPV'D				

DESCRIPTION:

Climbing complex



Tiptiptap OÜ

Tiptiptap OÜ
 Veetorni 9,
 Jüri alevik, Rae vald,
 75301 Harjumaa

MATERIAL:

metal, plastic, rubber

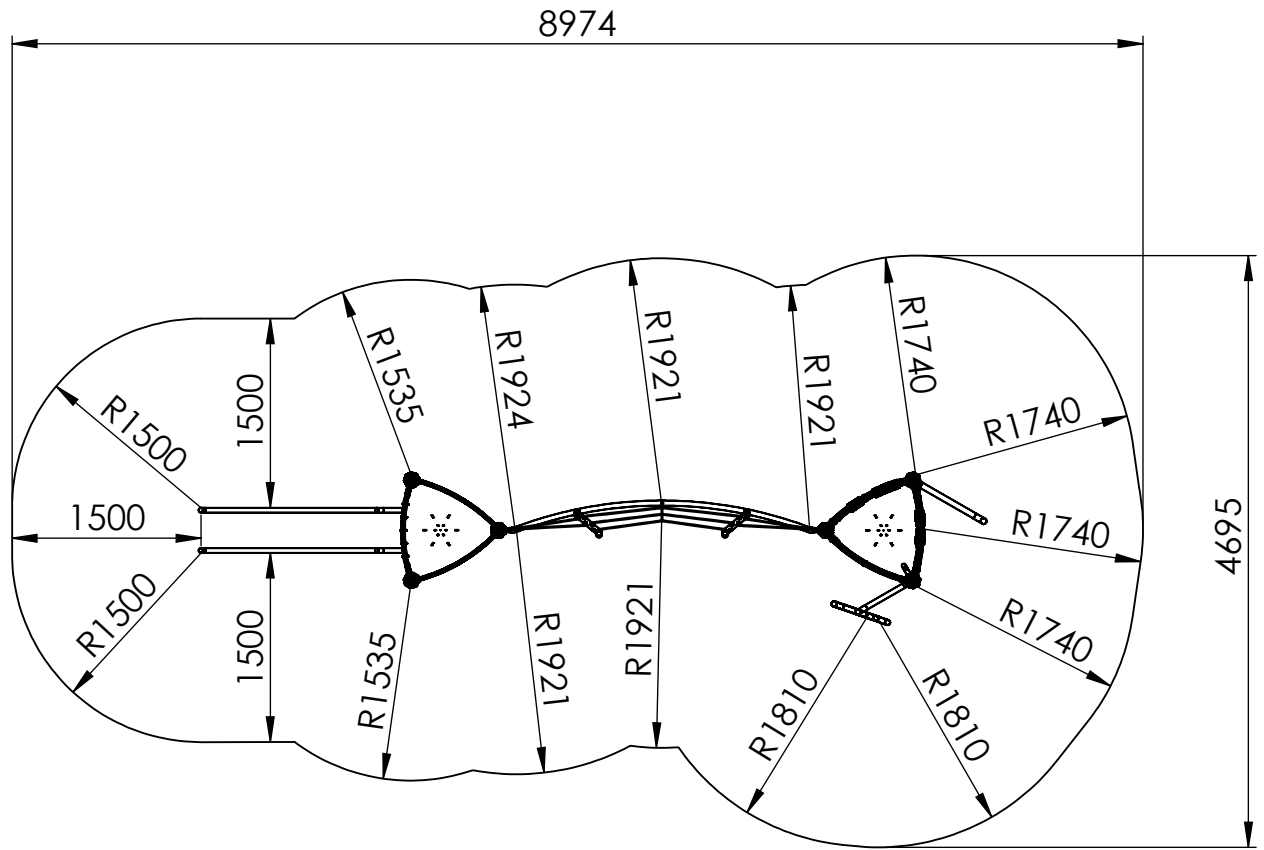
A4

WEIGHT:

SCALE: 1:30

SHEET 1 OF 6

safety area



UNLESS OTHERWISE SPECIFIED:
DIMENSIONS ARE IN MILLIMETERS
WEIGHT ARE IN KILOGRAMM

PART NUMBER / DWG NO.:

OCT101

	NAME	SIGNATURE	DATE	REVISION
DRAWN	I.Agar		23.09.2020	
APPV'D				

DESCRIPTION:

Climbing complex



Tiptaptap OÜ

Tiptaptap OÜ
Veetorni 9,
Jüri alevik, Rae vald,
75301 Harjumaa

MATERIAL:

metal, plastic, rubber

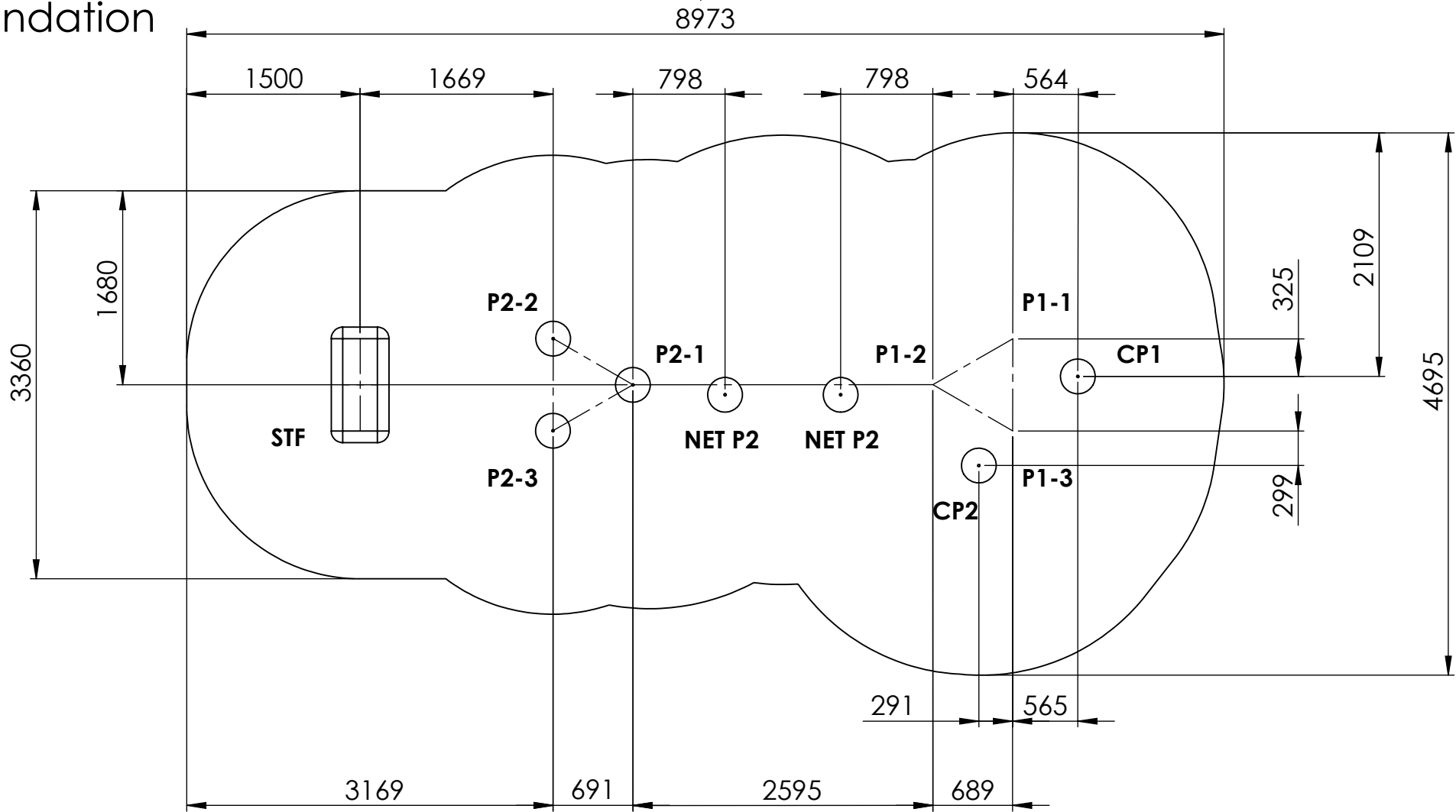
A4

WEIGHT:

SCALE: 1:60

SHEET 2 OF 6

foundation



UNLESS OTHERWISE SPECIFIED:
DIMENSIONS ARE IN MILLIMETERS
WEIGHT ARE IN KILOGRAMM

PART NUMBER / DWG NO.: **OCT101**

	NAME	SIGNATURE	DATE	REVISION
DRAWN	I.Agar		23.09.2020	
APPV'D				

DESCRIPTION:
Climbing complex



Tiptaptap OÜ
Tiptaptap OÜ
Veetorni 9,
Jüri alevik, Rae vald,
75301 Harjumaa

MATERIAL: **metal, plastic, rubber** A4

WEIGHT: SCALE: 1:50 SHEET 3 OF 6

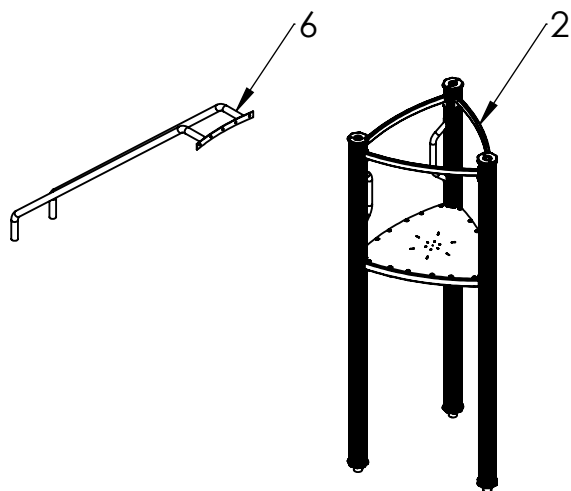
1

2

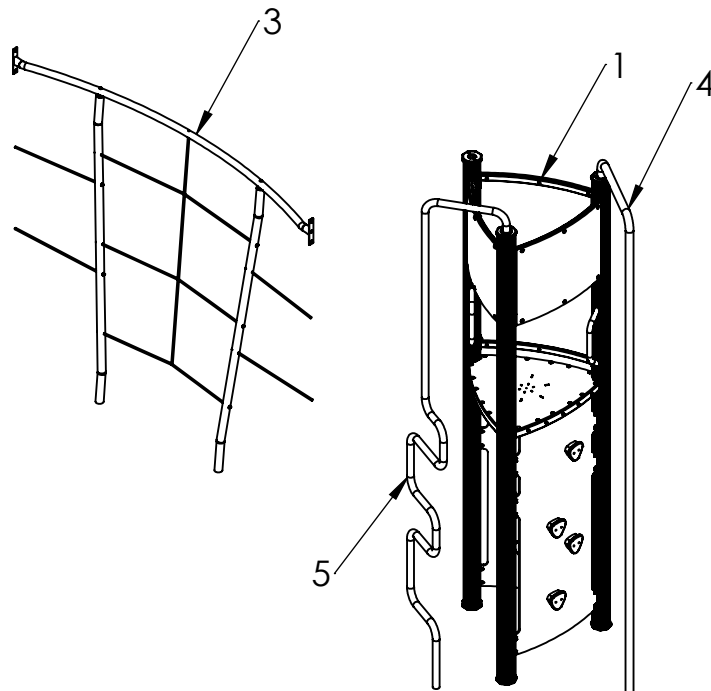
3

4

A



B



C

D

ITEM NO.	PART NUMBER	DESCRIPTION	QTY.
1	tower 1	painted aluminium, rubber, plastic	1
2	tower 2	painted aluminium, plastic	1
3	climbing net	painted steel ϕ 42,4x2, PP covered steel wire	1
4	climbing post type 1	painted steel ϕ 42,4x2	1
5	climbing post type 2	painted steel ϕ 42,4x2	1
6	sliding tube frame	stainless steel ϕ 40x2	1

E

F

UNLESS OTHERWISE SPECIFIED:
DIMENSIONS ARE IN MILLIMETERS
WEIGHT ARE IN KILOGRAMM

PART NUMBER / DWG NO.:

OCT101

	NAME	SIGNATURE	DATE	REVISION
DRAWN	I.Agar		23.09.2020	
APPV'D				

DESCRIPTION:

Climbing complex

MATERIAL:

metal, plastic, rubber

A4

WEIGHT:

SCALE: 1:45

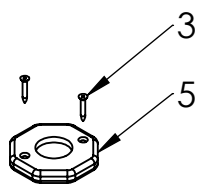
SHEET 4 OF 6



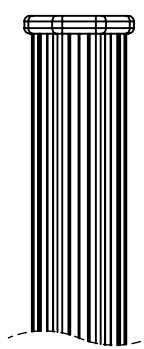
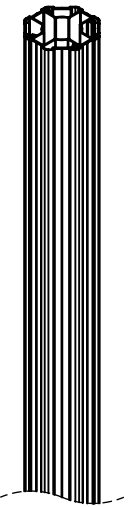
Tiptiptap OÜ

Tiptiptap OÜ
Veetorni 9,
Jüri alevik, Rae vald,
75301 Harjumaa

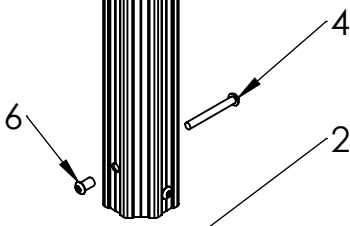
A



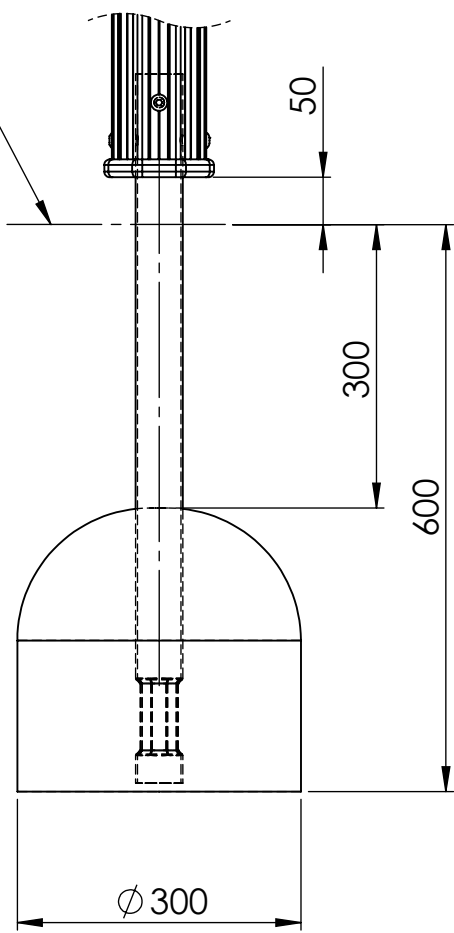
B



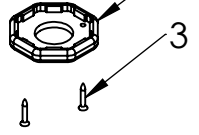
C



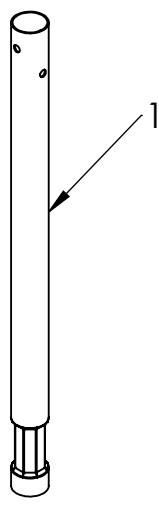
ground



D



E



ITEM NO.	PART NUMBER	QTY.
1	metal ground fixing L750	1
2	lower plastic cap	1
3	wood screw 6x40	4
4	bolt M10x85 DIN7380	2
5	upper plastic cap	1
6	pin torx nut M10x20	2

UNLESS OTHERWISE SPECIFIED:
 DIMENSIONS ARE IN MILLIMETERS
 WEIGHT ARE IN KILOGRAMM

PART NUMBER / DWG NO.:
OCT101

	NAME	SIGNATURE	DATE	REVISION
DRAWN	I.Agar		23.09.2020	
APPV'D				

DESCRIPTION:
Climbing complex

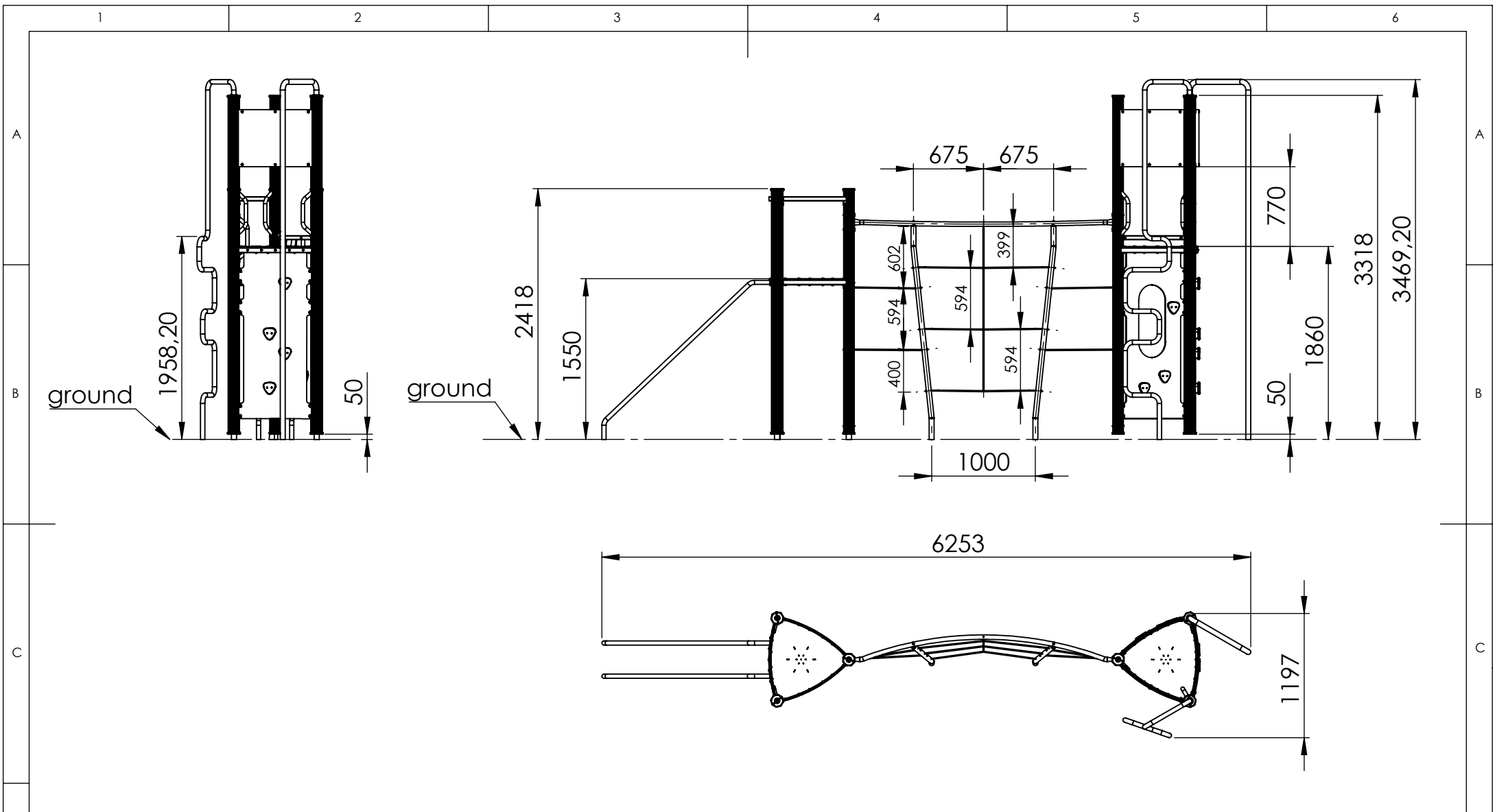
F




Tiptiptap OÜ

Tiptiptap OÜ
 Veetorni 9,
 Jüri alevik, Rae vald,
 75301 Harjumaa

MATERIAL:	metal, plastic, rubber	A4
WEIGHT:	SCALE: 1:10	SHEET 5 OF 6



UNLESS OTHERWISE SPECIFIED: DIMENSIONS ARE IN MILLIMETERS WEIGHT ARE IN KILOGRAMM					PART NUMBER / DWG NO.:	
					OCT101	
	NAME	SIGNATURE	DATE	REVISION	DESCRIPTION:	
DRAWN	I.Agar		23.09.2020		Climbing complex	
APPV'D						
 Tiptaptap OÜ Tiptaptap OÜ Veetorni 9, Jüri alevik, Rae vald, 75301 Harjumaa					MATERIAL:	metal, plastic, rubber
					WEIGHT:	