

A

B

C

D

E

F



UNLESS OTHERWISE SPECIFIED:
 DIMENSIONS ARE IN MILLIMETERS
 WEIGHT ARE IN KILOGRAMM

PART NUMBER / DWG NO.:

OCT100

	NAME	SIGNATURE	DATE	REVISION
DRAWN	M. Kalamees		31-Jan-20	
APPV'D				

DESCRIPTION:

Climbing frame



Tiptiptap OÜ

Tiptiptap OÜ
 Veetorni 9,
 Jüri alevik, Rae vald,
 75301 Harjumaa

MATERIAL:

metal, plastic

A4

WEIGHT:

SCALE: 1:25

SHEET 1 OF 7

safety area

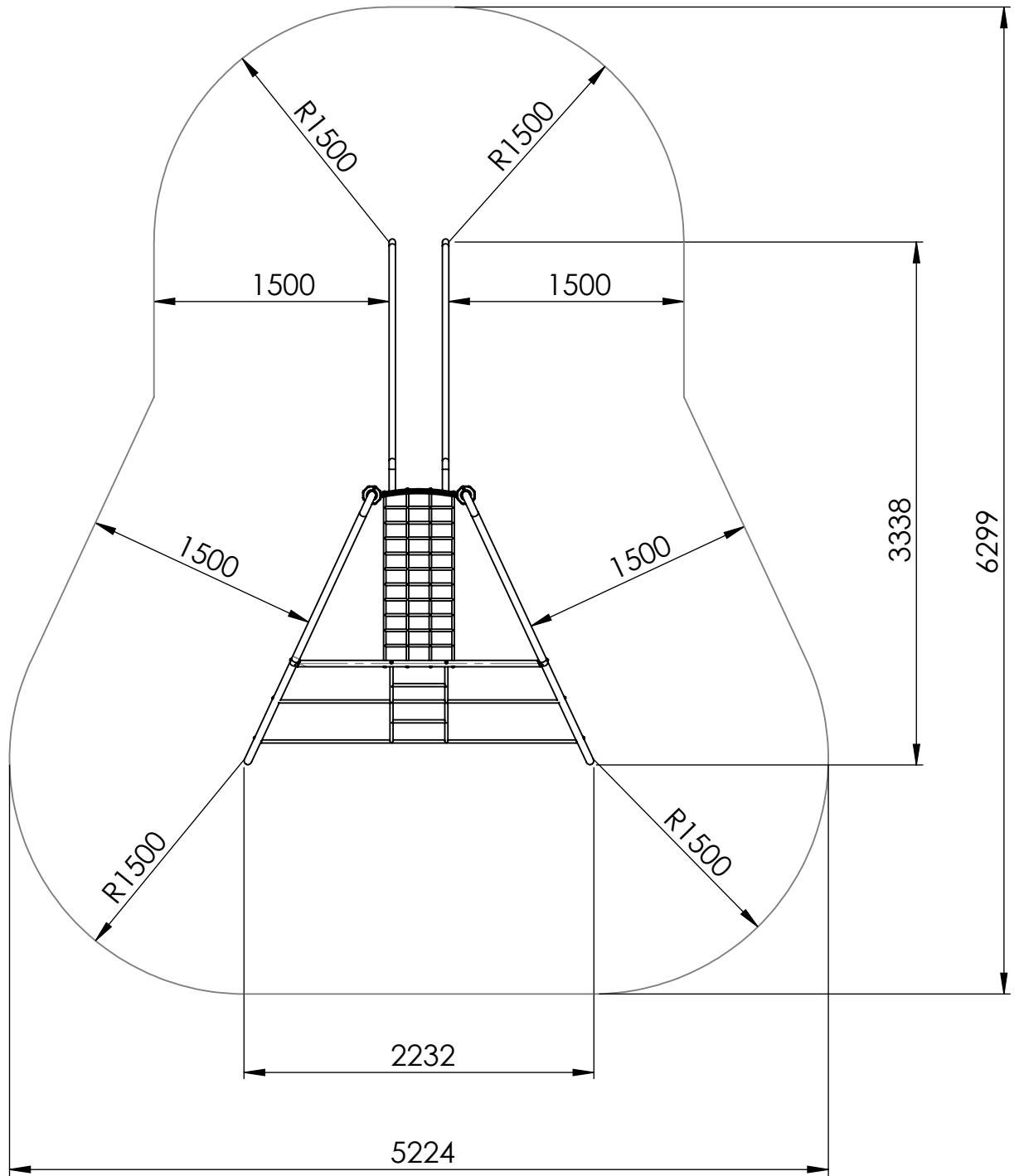
A

B

C

D

E



UNLESS OTHERWISE SPECIFIED:
DIMENSIONS ARE IN MILLIMETERS
WEIGHT ARE IN KILOGRAMM

PART NUMBER / DWG NO.:

OCT100

	NAME	SIGNATURE	DATE	REVISION
DRAWN	M. Kalamees		31-Jan-20	
APPV'D				

DESCRIPTION:

Climbing frame

F



Tiptiptap OÜ

Tiptiptap OÜ
Veetorni 9,
Jüri alevik, Rae vald,
75301 Harjumaa

MATERIAL:

metal, plastic

A4

WEIGHT:

SCALE: 1:40

SHEET 2 OF 7

foundation

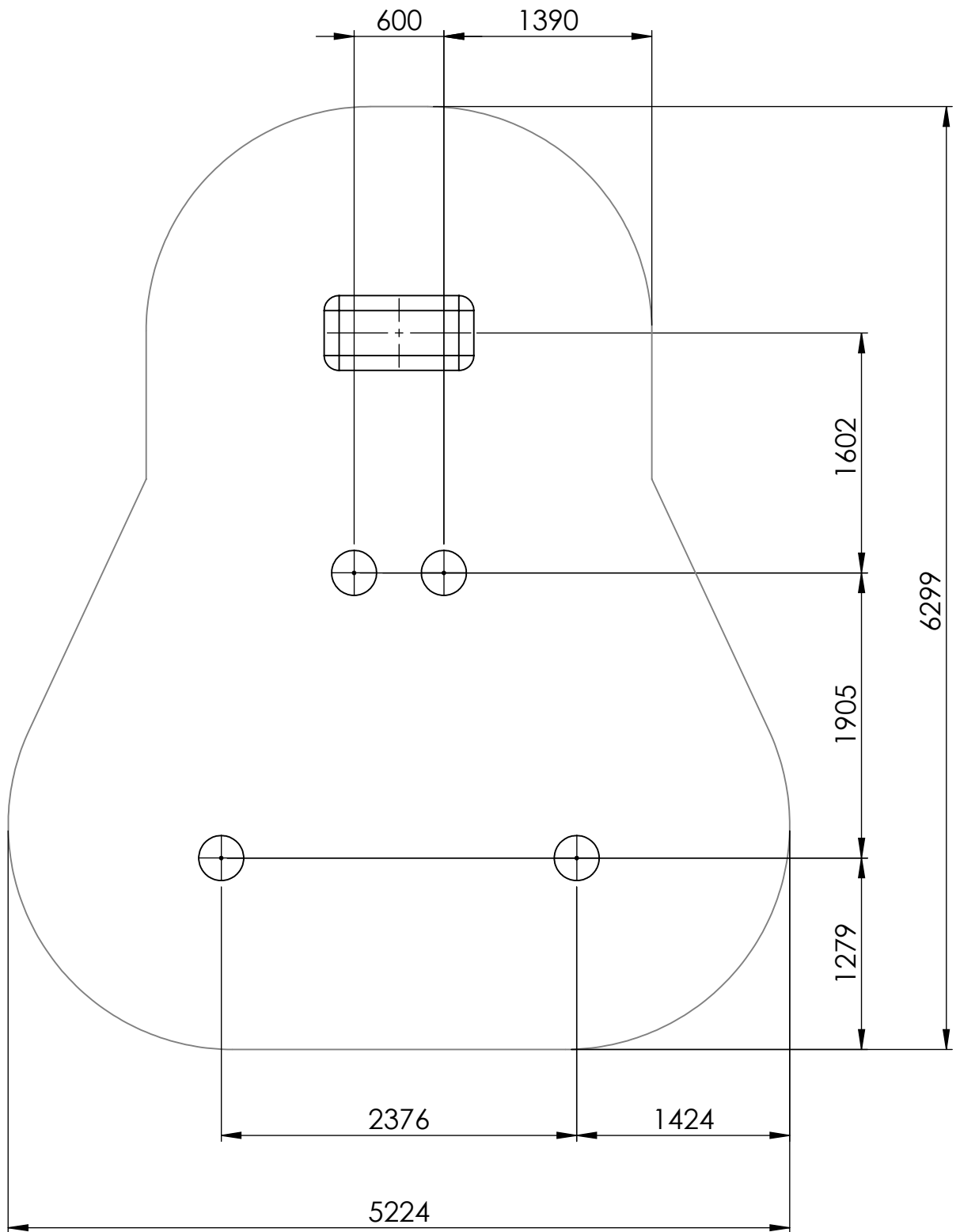
A

B

C

D

E



UNLESS OTHERWISE SPECIFIED:
DIMENSIONS ARE IN MILLIMETERS
WEIGHT ARE IN KILOGRAMM

PART NUMBER / DWG NO.:

OCT100

	NAME	SIGNATURE	DATE	REVISION
DRAWN	M. Kalamees		31-Jan-20	
APPV'D				

DESCRIPTION:

Climbing frame



Tiptiptap OÜ

Tiptiptap OÜ
Veetorni 9,
Jüri alevik, Rae vald,
75301 Harjumaa

MATERIAL:

metal, plastic

A4

WEIGHT:

SCALE: 1:40

SHEET 3 OF 7

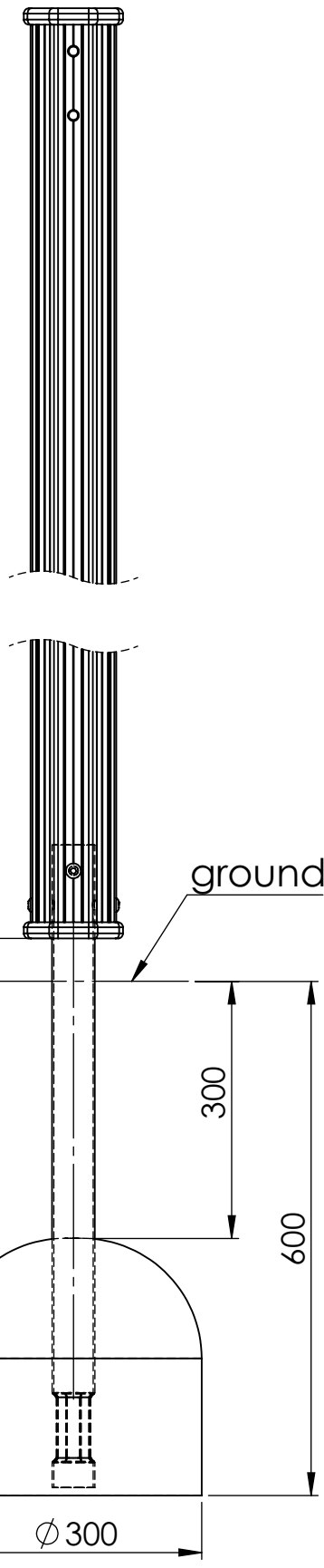
A

B

C

D

E



UNLESS OTHERWISE SPECIFIED:
 DIMENSIONS ARE IN MILLIMETERS
 WEIGHT ARE IN KILOGRAMM

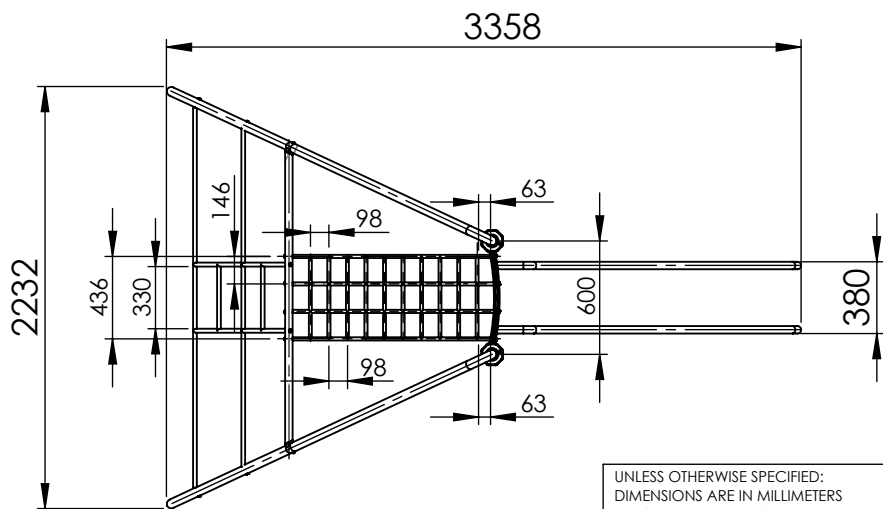
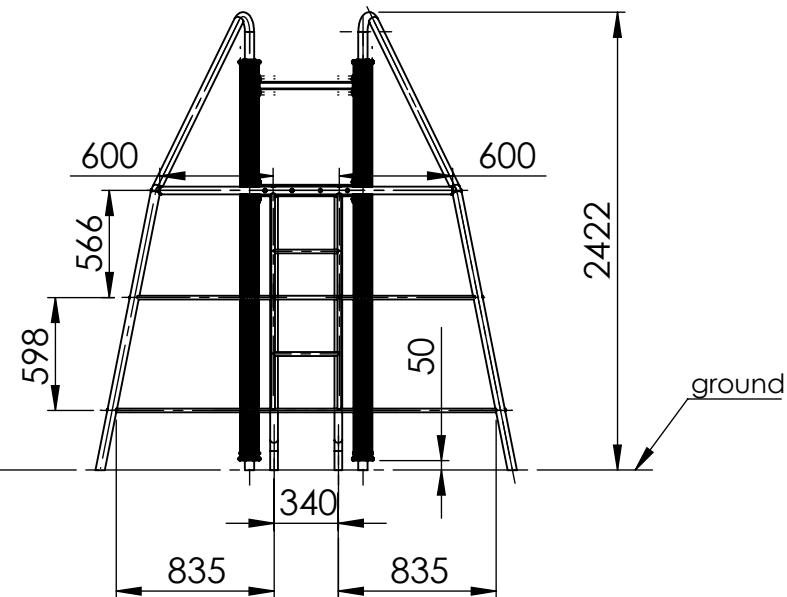
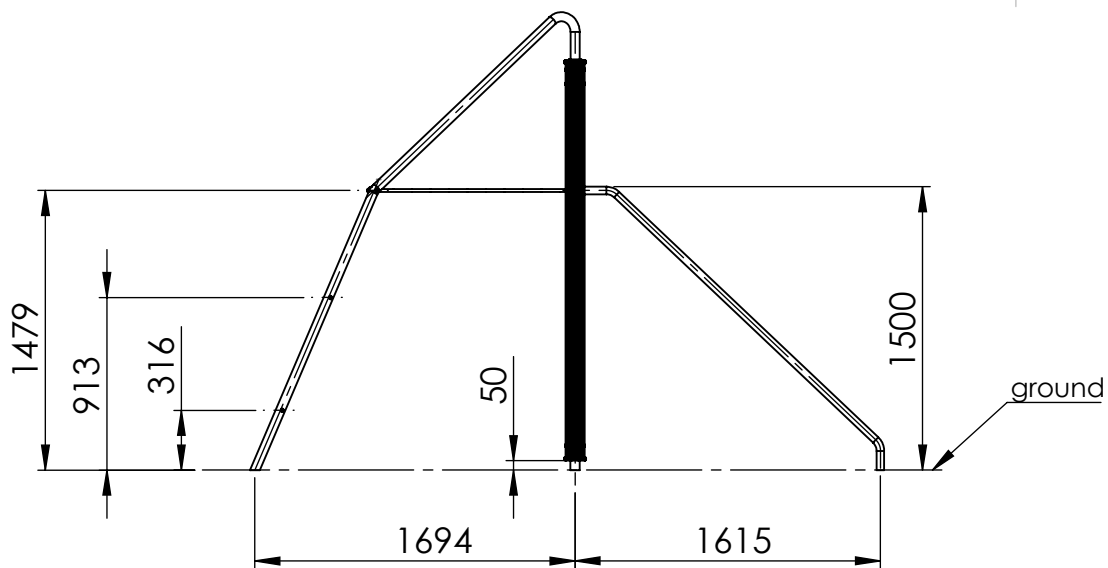
PART NUMBER / DWG NO.: **OCT100**

	NAME	SIGNATURE	DATE	REVISION
DRAWN	M. Kalamees		31-Jan-20	
APPV'D				

DESCRIPTION:
Climbing frame

 **Tiptiptap** OÜ
 Veetorni 9,
 Jüri alevik, Rae vald,
 75301 Harjumaa

MATERIAL:	metal, plastic	A4
WEIGHT:	SCALE: 1:8	SHEET 4 OF 7



UNLESS OTHERWISE SPECIFIED:
DIMENSIONS ARE IN MILLIMETERS
WEIGHT ARE IN KILOGRAMM

	NAME	SIGNATURE	DATE	REVISION
DRAWN	M. Kalamees		31-Jan-20	
APPV'D				



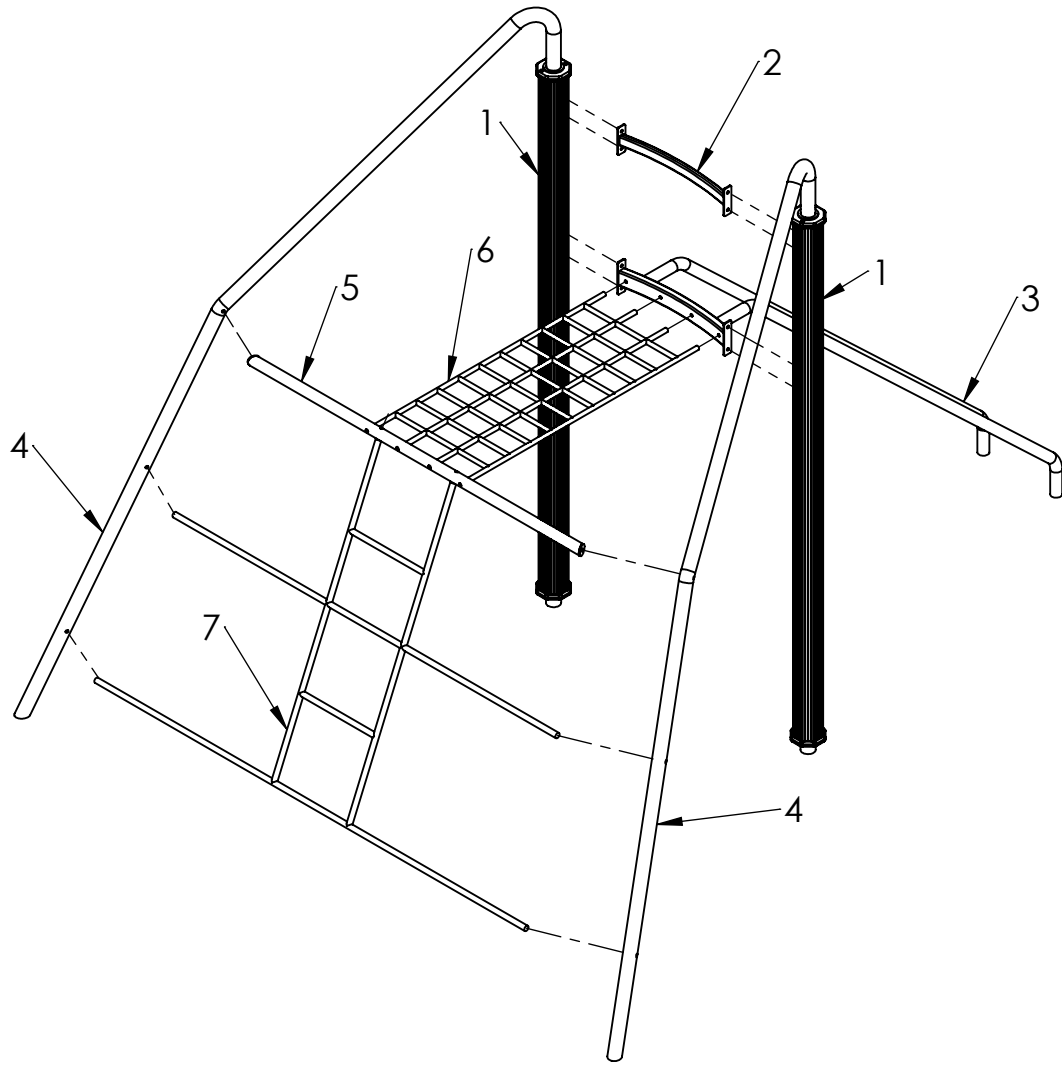
Tiptaptap OÜ
Tiptaptap OÜ
Veetorni 9,
Jüri alevik, Rae vald,
75301 Harjumaa

PART NUMBER / DWG NO.: **OCT100**

DESCRIPTION: **Climbing frame**

MATERIAL: **metal, plastic** A4

WEIGHT: SCALE: 1:40 SHEET 5 OF 7



UNLESS OTHERWISE SPECIFIED:
 DIMENSIONS ARE IN MILLIMETERS
 WEIGHT ARE IN KILOGRAMM

PART NUMBER / DWG NO.: **OCT100**

	NAME	SIGNATURE	DATE	REVISION
DRAWN	M. Kalamees		31-Jan-20	
APPV'D				

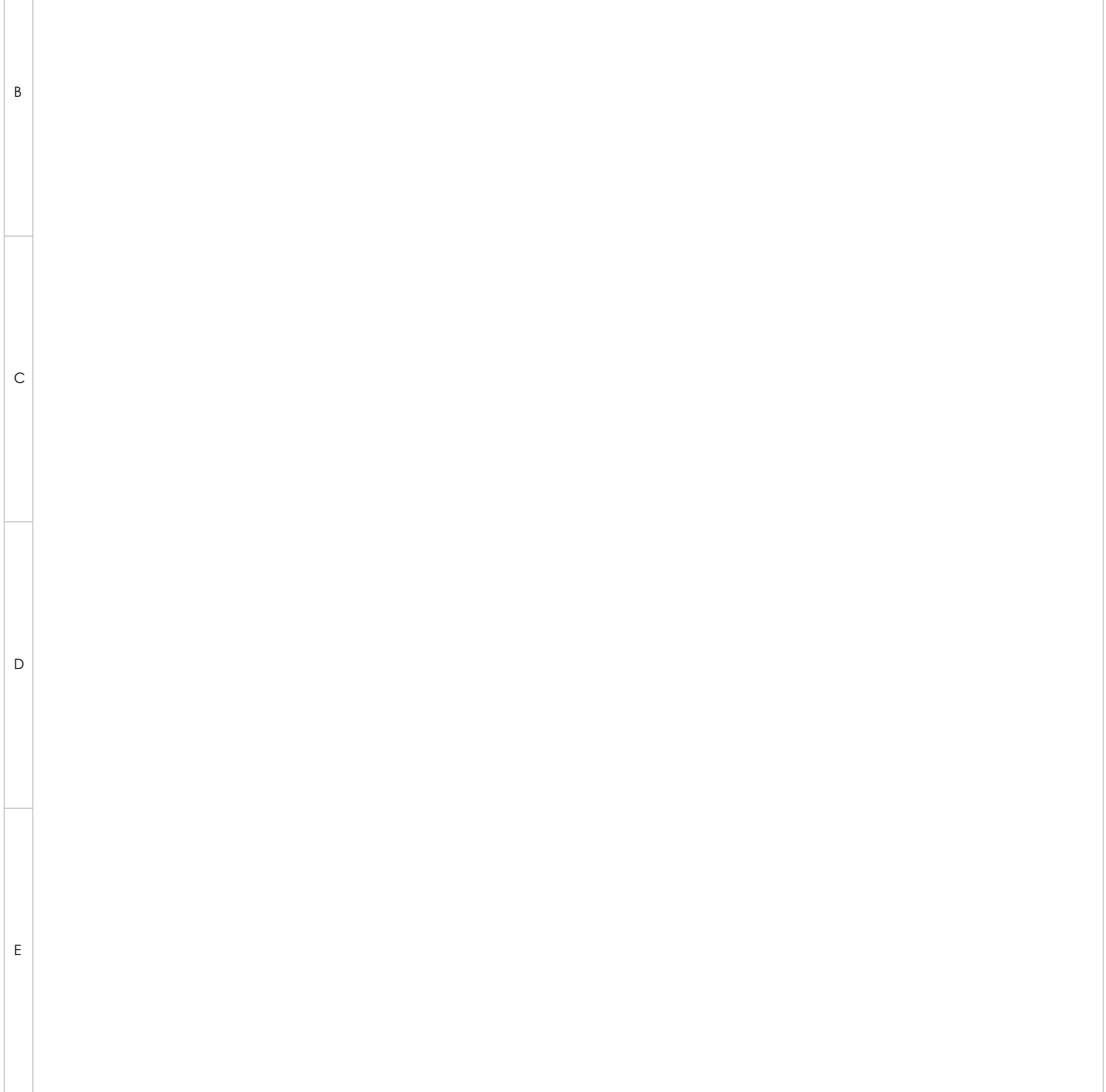
DESCRIPTION:
Climbing frame




Tiptaptap OÜ
 Veetorni 9,
 Jüri alevik, Rae vald,
 75301 Harjumaa

MATERIAL:	metal, plastic	A4
WEIGHT:	SCALE: 1:25	SHEET 6 OF 7

	1	2	3	4
	ITEM NO.	PART NUMBER	DESCRIPTION	QTY.
A	1	post L2100	painted aluminium	2
	2	fixing beam	painted steel 40x20x2	1
	3	sliding tube frame	stainless steel ϕ 40x2	1
	4	support beam	painted steel ϕ 48,3x2	2
	5	connection tube	painted steel ϕ 48,3x2	1
B	6	nest no. 1	PP covered steel wire	1
	7	nest no. 2	PP covered steel wire	1



UNLESS OTHERWISE SPECIFIED: DIMENSIONS ARE IN MILLIMETERS WEIGHT ARE IN KILOGRAMM				PART NUMBER / DWG NO.:		OCT100		
	NAME	SIGNATURE	DATE	REVISION	DESCRIPTION: Climbing frame			
DRAWN	M. Kalamees		31-Jan-20					
APPV'D								
F	 Tiptiptap OÜ Veetorni 9, Jüri alevik, Rae vald, 75301 Harjumaa			MATERIAL:		metal, plastic		A4
				WEIGHT:		SCALE: 1:25		SHEET 7 OF 7