

A

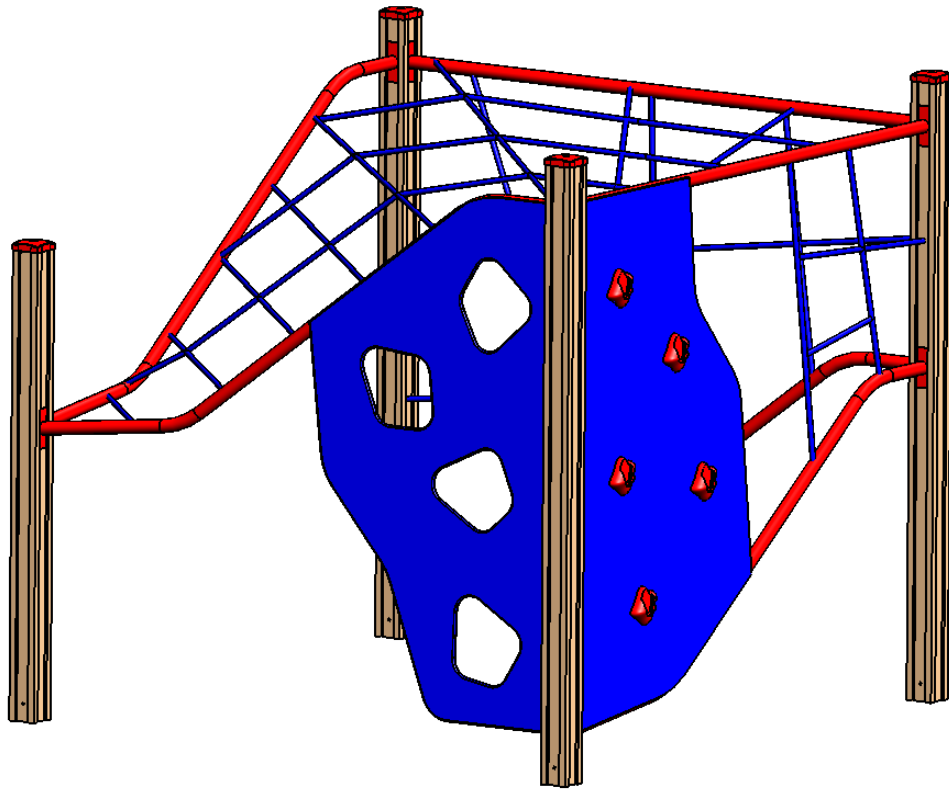
B

C

D

E

F



UNLESS OTHERWISE SPECIFIED:  
 DIMENSIONS ARE IN MILLIMETERS  
 WEIGHT ARE IN KILOGRAMM

PART NUMBER / DWG NO.:

NW 210

	NAME	SIGNATURE	DATE	REVISION
DRAWN	Erkki Sarv		26.04.2012	
APPV'D				

DESCRIPTION:

NATURE WORLD



**Tiptaptap** OÜ

Tiptaptap OÜ  
 Veetorni 9,  
 Jüri alevik, Rae vald,  
 75301 Harjumaa

MATERIAL:

wood, metal, plastic

A4

WEIGHT:

SCALE: 1:25

SHEET 1 OF 6

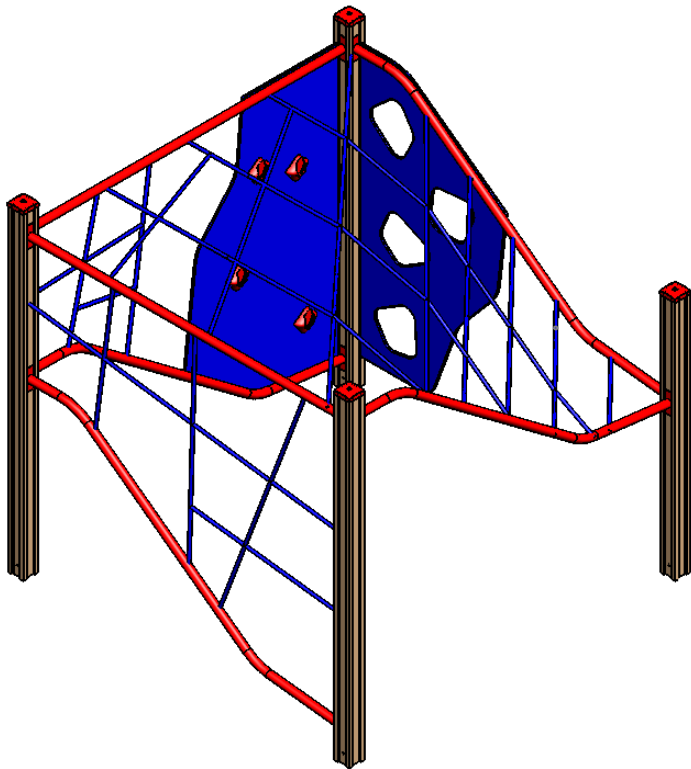
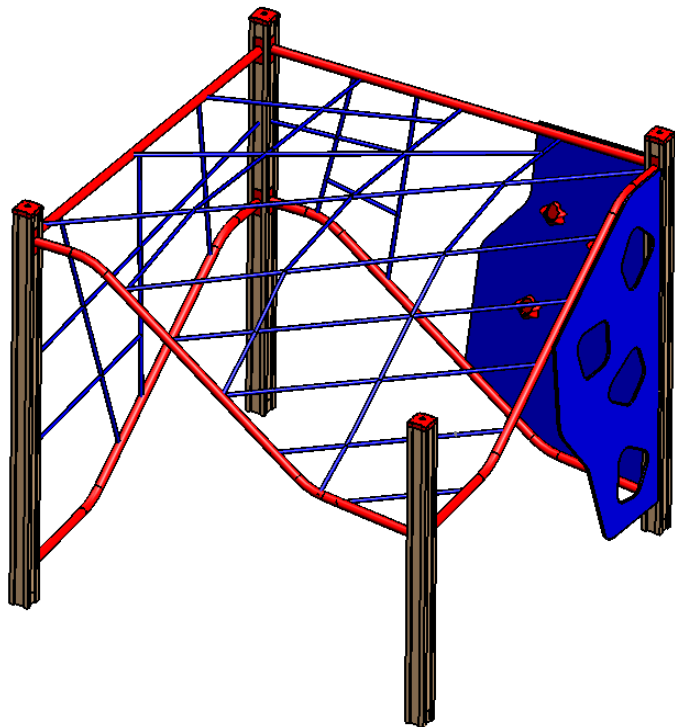
A

B

C

D

E



UNLESS OTHERWISE SPECIFIED:  
 DIMENSIONS ARE IN MILLIMETERS  
 WEIGHT ARE IN KILOGRAMM

PART NUMBER / DWG NO.:

NW 210

	NAME	SIGNATURE	DATE	REVISION
DRAWN	Erkki Sarv		26.04.2012	
APPV'D				

DESCRIPTION:

NATURE WORLD

F



**Tiptaptap** OÜ

Tiptaptap OÜ  
 Veetorni 9,  
 Jüri alevik, Rae vald,  
 75301 Harjumaa

MATERIAL:

wood, metal, plastic

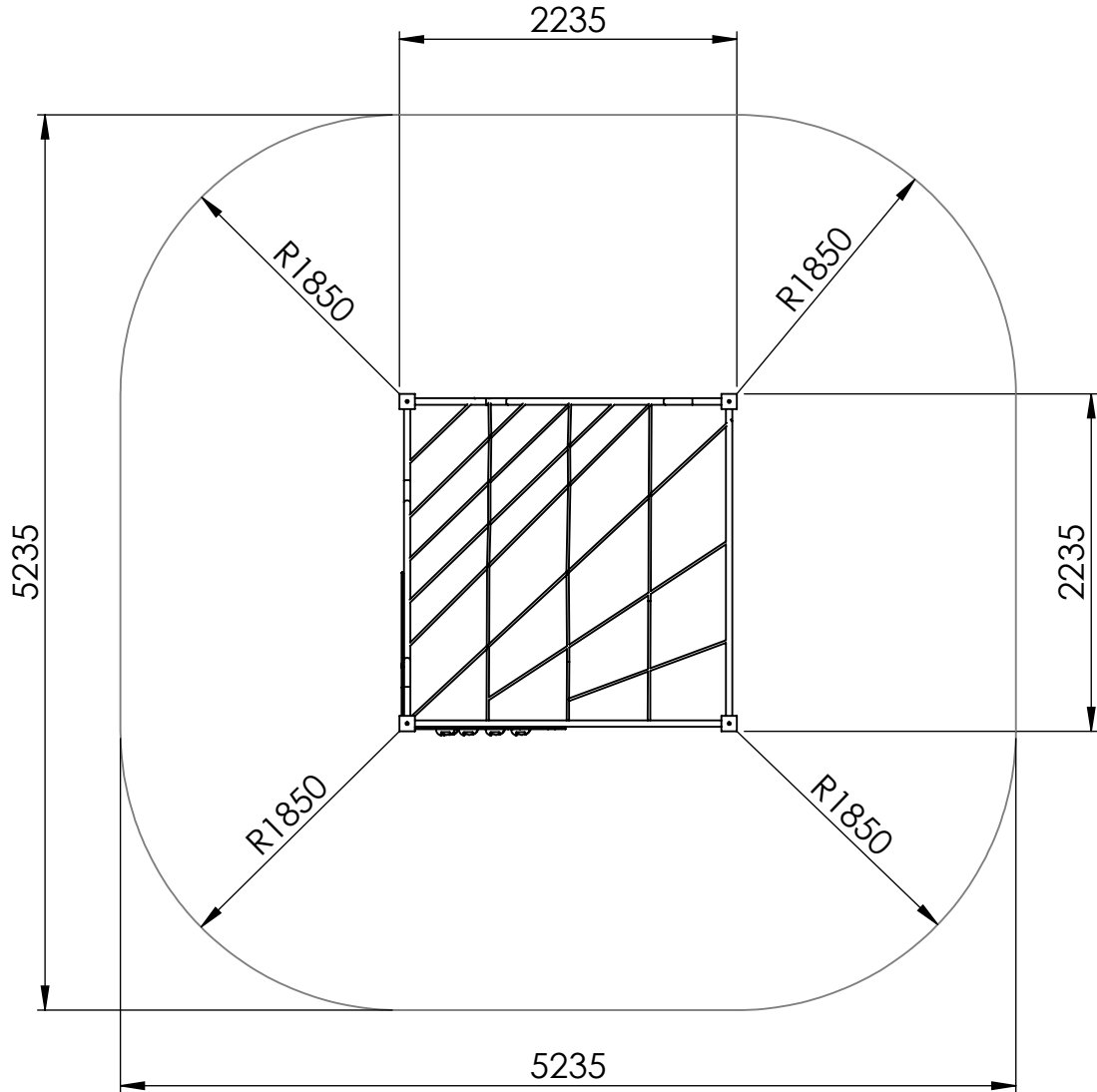
A4

WEIGHT:

SCALE: 1:35

SHEET 2 OF 6

# safety area



UNLESS OTHERWISE SPECIFIED:  
DIMENSIONS ARE IN MILLIMETERS  
WEIGHT ARE IN KILOGRAMM

PART NUMBER / DWG NO.:

NW 210

	NAME	SIGNATURE	DATE	REVISION
DRAWN	Erkki Sarv		26.04.2012	
APPV'D				

DESCRIPTION:

NATURE WORLD  
safety area



**Tiptaptap** OÜ

Tiptaptap OÜ  
Veetorni 9,  
Jüri alevik, Rae vald,  
75301 Harjumaa

MATERIAL:

wood, metal, plastic

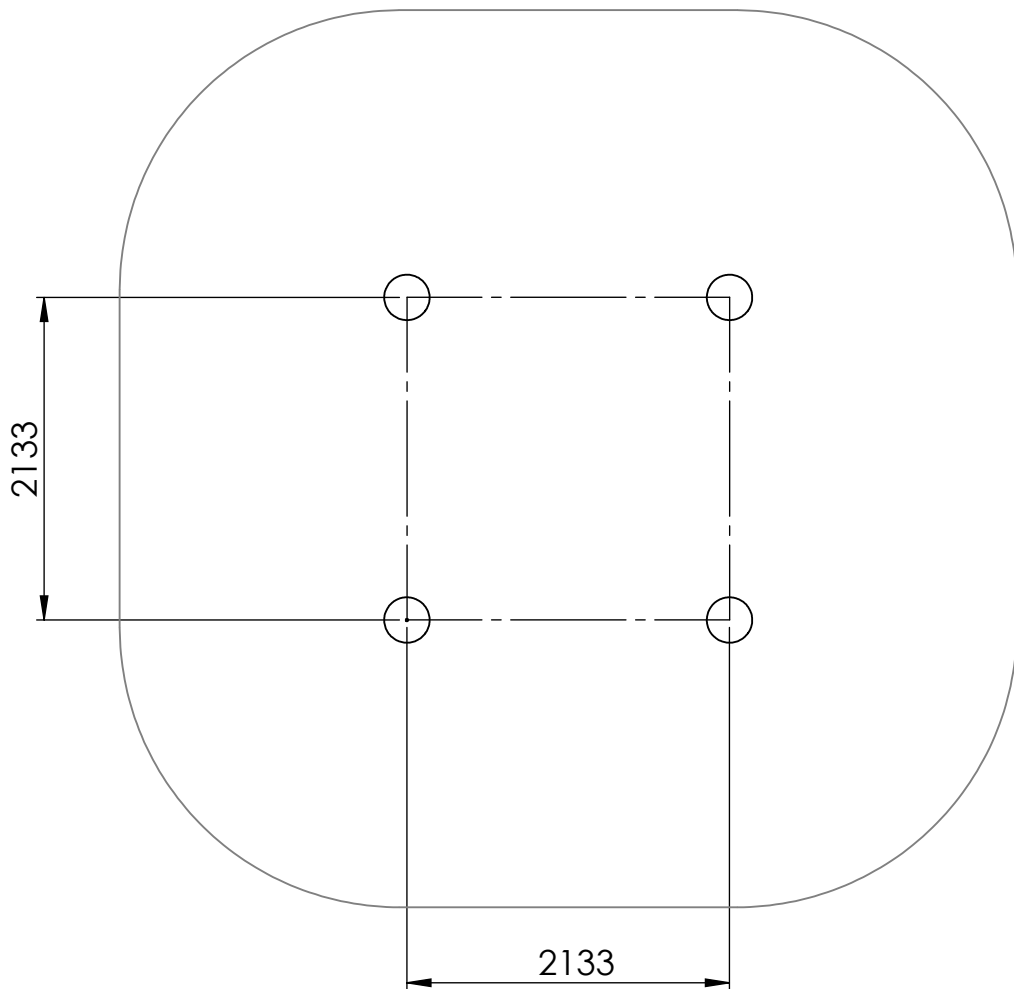
A4

WEIGHT:

SCALE: 1:50

SHEET 3 OF 6

# foundation



depth of foundation 450mm

UNLESS OTHERWISE SPECIFIED:  
DIMENSIONS ARE IN MILLIMETERS  
WEIGHT ARE IN KILOGRAMM

PART NUMBER / DWG NO.:

NW 210

	NAME	SIGNATURE	DATE	REVISION
DRAWN	Erkki Sarv		26.04.2012	
APPV'D				

DESCRIPTION:

NATURE WORLD  
foundation



**Tiptaptap** OÜ

Tiptaptap OÜ  
Veetorni 9,  
Jüri alevik, Rae vald,  
75301 Harjumaa

MATERIAL:

wood, metal, plastic

A4

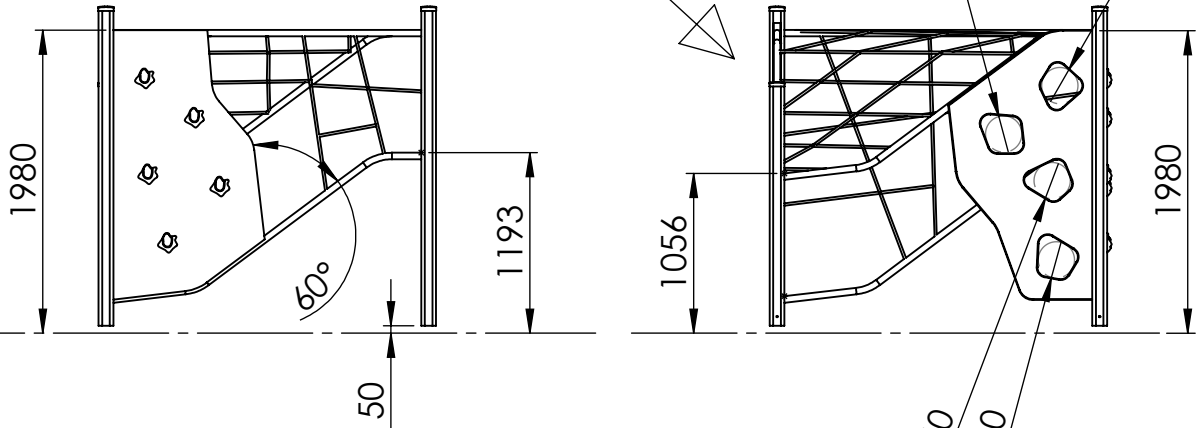
WEIGHT:

SCALE: 1:50

SHEET 4 OF 6

A

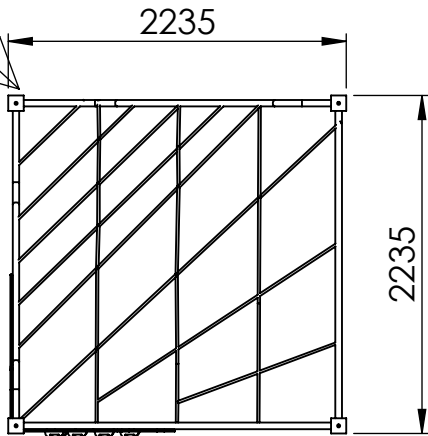
view A



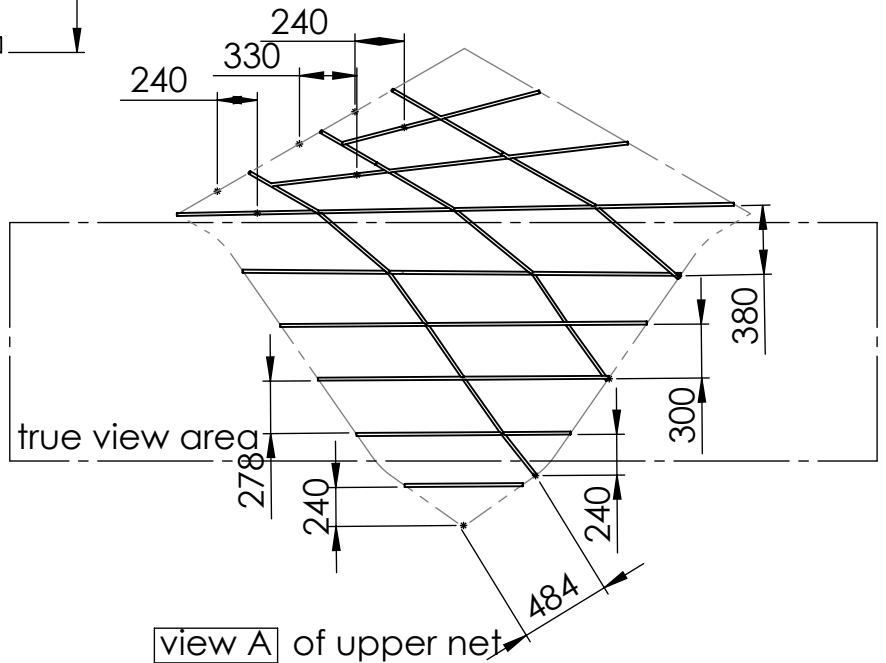
B

C

view A



D



E

view A of upper net

UNLESS OTHERWISE SPECIFIED:  
 DIMENSIONS ARE IN MILLIMETERS  
 WEIGHT ARE IN KILOGRAMM

PART NUMBER / DWG NO.:

NW 210

	NAME	SIGNATURE	DATE	REVISION
DRAWN	Erkki Sarv		26.04.2012	
APPV'D				

DESCRIPTION:

NATURE WORLD

F



Tiptap OÜ

Tiptap OÜ  
 Veetorni 9,  
 Jüri alevik, Rae vald,  
 75301 Harjumaa

MATERIAL:

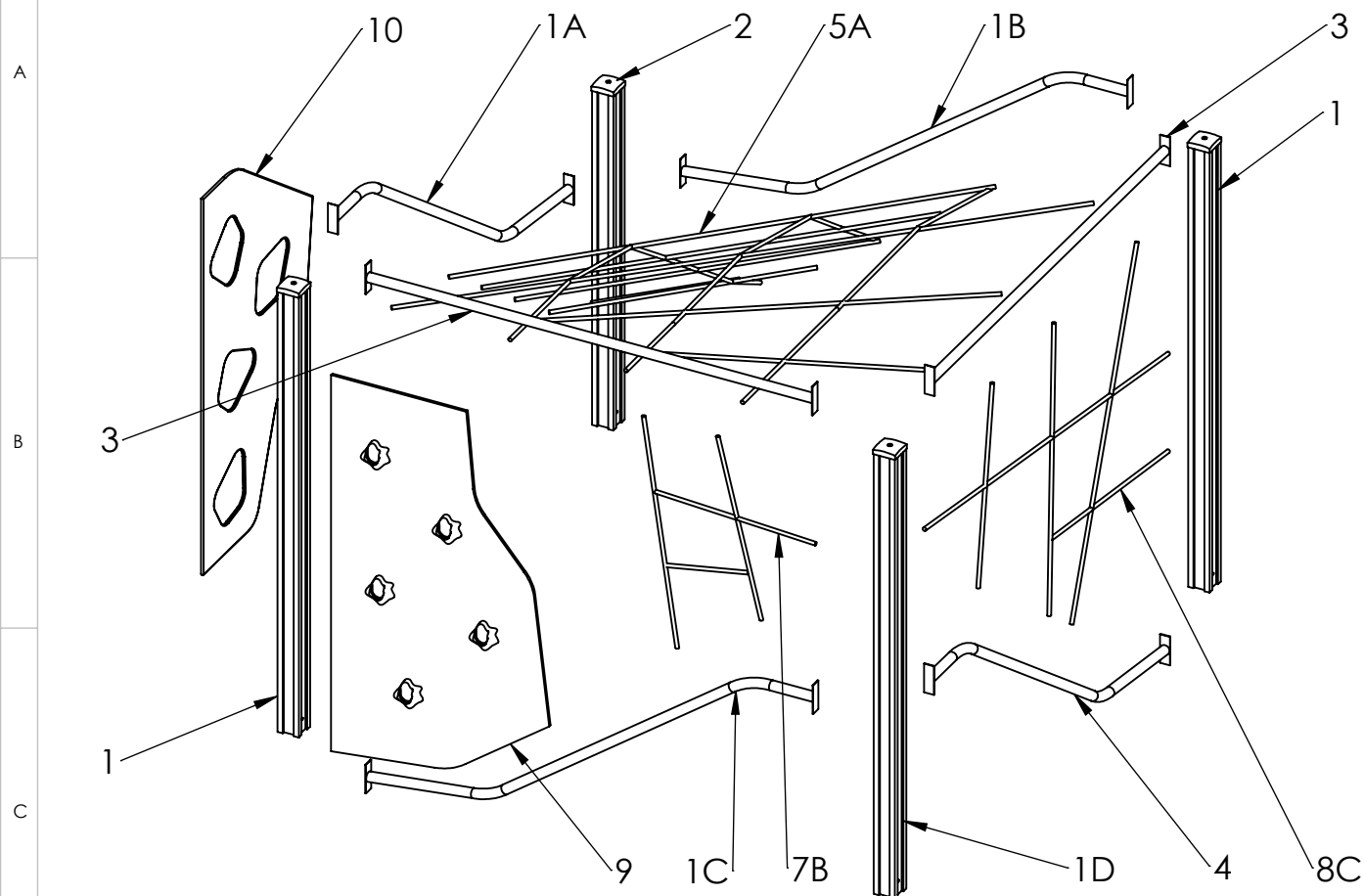
wood, metal, plastic

A4

WEIGHT:

SCALE: 1:50

SHEET 5 OF 6



ITEM NO.	PART NUMBER	DESCRIPTION	exploded/QTY.
1	post 98x98x2100 with top cap	laminated wood, PE plastic	3
2	post 98x98x1500 with top cap	laminated wood, PE plastic	1
3	tube $\phi$ 40x2050	painted steel	2
4	curved tube $\phi$ 40x2050 (A,B,C,D)	painted steel	4
5	rope net (A)	$\phi$ 16 PPcovered steel wire	1
7	rope net (B)	$\phi$ 16 PPcovered steel wire	1
8	rope net (C)	$\phi$ 16 PPcovered steel wire	1
9	climbing wall with climbing grips	plywood, polyresin	1
10	climbing wall with holes	plywood	1

UNLESS OTHERWISE SPECIFIED:  
DIMENSIONS ARE IN MILLIMETERS  
WEIGHT ARE IN KILOGRAMM

PART NUMBER / DWG NO.:

NW 210

	NAME	SIGNATURE	DATE	REVISION
DRAWN	Erkki Sarv		26.04.2012	
APPV'D				

DESCRIPTION:

NATURE WORLD



**Tiptiptap** OÜ

Tiptiptap OÜ  
Veetorni 9,  
Jüri alevik, Rae vald,  
75301 Harjumaa

MATERIAL:

wood, metal, plastic

A4

WEIGHT:

SCALE: 1:30

SHEET 6 OF 6