

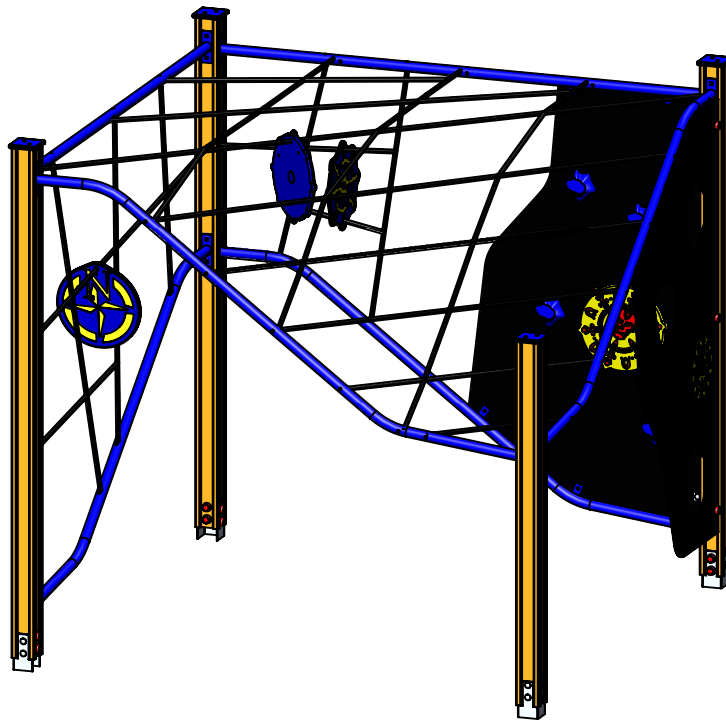
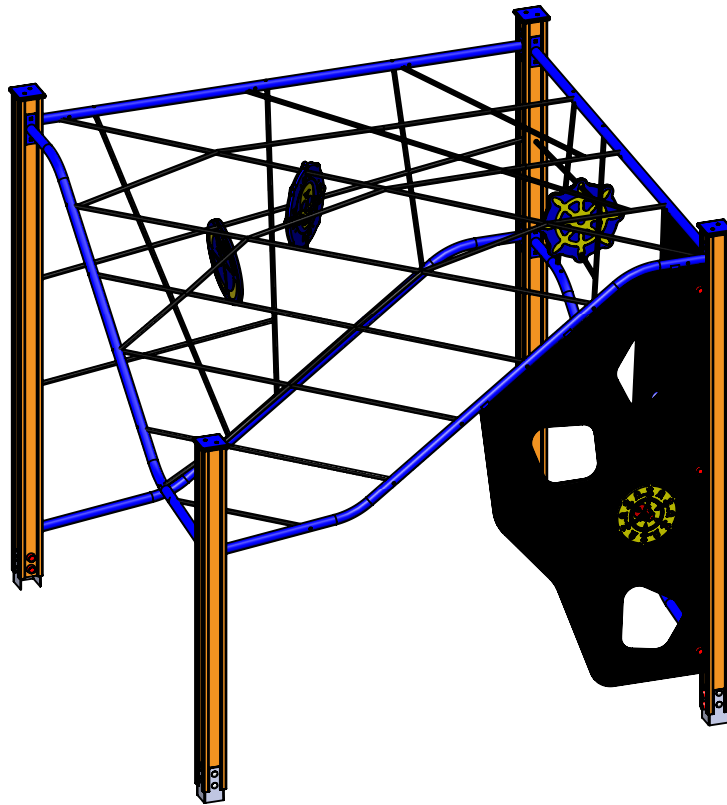
A

B

C

D

E



UNLESS OTHERWISE SPECIFIED:
 DIMENSIONS ARE IN MILLIMETERS
 WEIGHT ARE IN KILOGRAMM

PART NUMBER / DWG NO.:

NW210 P

	NAME	SIGNATURE	DATE	REVISION
DRAWN	R.Fedotov		29.04.2015	
APPV'D				

DESCRIPTION:

Morgan

F



Tiptiptap OÜ

Tiptiptap OÜ
 Veetorni 9,
 Jüri alevik, Rae vald,
 75301 Harjumaa

MATERIAL:

wood, metal, plastic

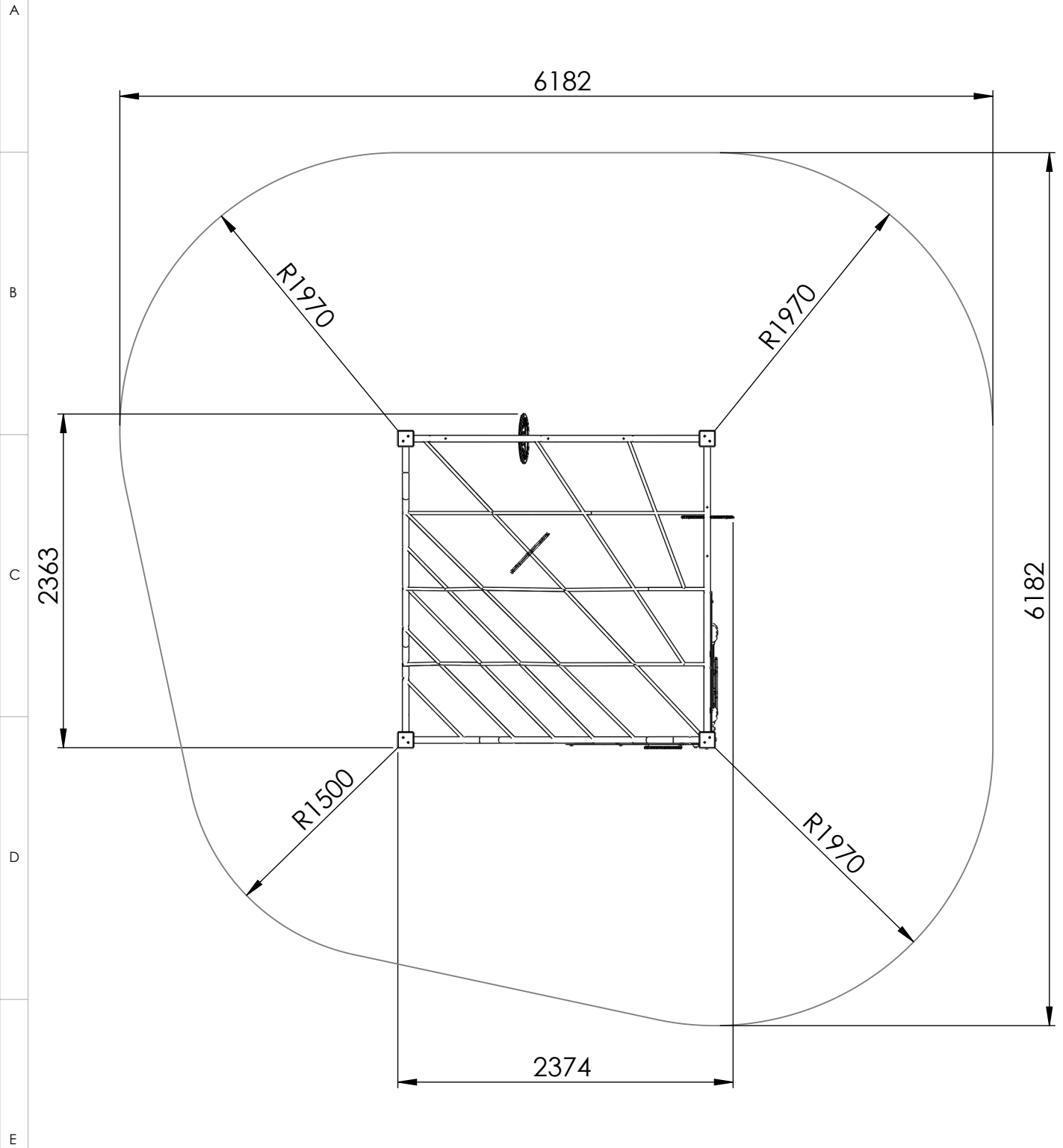
A4

WEIGHT:

SCALE: 1:30

SHEET 1 OF 9

Safety area



UNLESS OTHERWISE SPECIFIED:
DIMENSIONS ARE IN MILLIMETERS
WEIGHT ARE IN KILOGRAMM

PART NUMBER / DWG NO.:

NW210 P

	NAME	SIGNATURE	DATE	REVISION
DRAWN	R.Fedotov		29.04.2015	
APPV'D				

DESCRIPTION:

Morgan



Tiptaptap OÜ

Tiptaptap OÜ
Veetorni 9,
Jüri alevik, Rae vald,
75301 Harjumaa

MATERIAL:

wood, metal, plastic

A4

WEIGHT:

SCALE: 1:40

SHEET 2 OF 9

Foundation

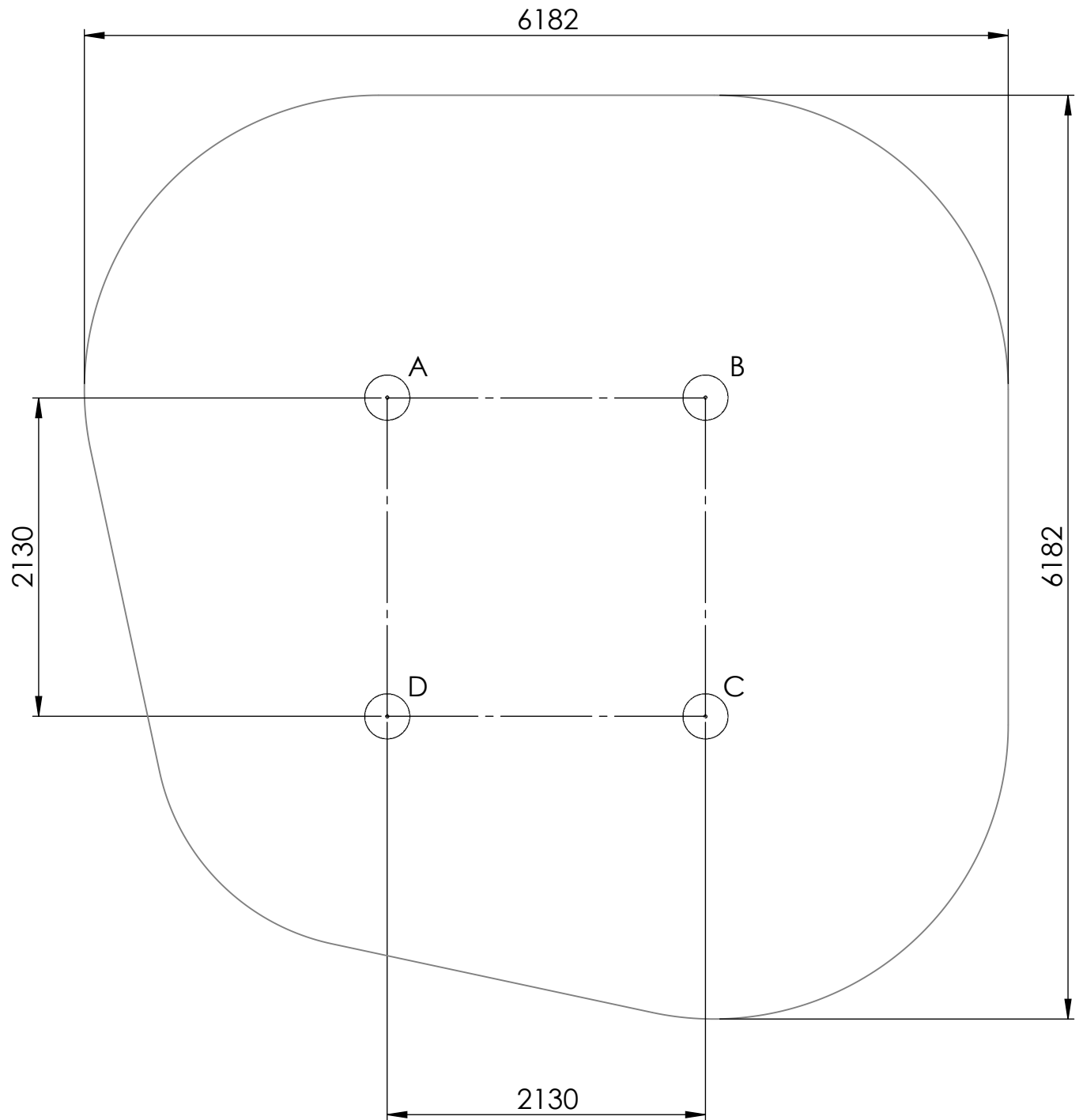
A

B

C

D

E



UNLESS OTHERWISE SPECIFIED: DIMENSIONS ARE IN MILLIMETERS WEIGHT ARE IN KILOGRAMM				
	NAME	SIGNATURE	DATE	REVISION
DRAWN	R.Fedotov		29.04.2015	
APPV'D				

PART NUMBER / DWG NO.:	NW210 P
DESCRIPTION:	Morgan

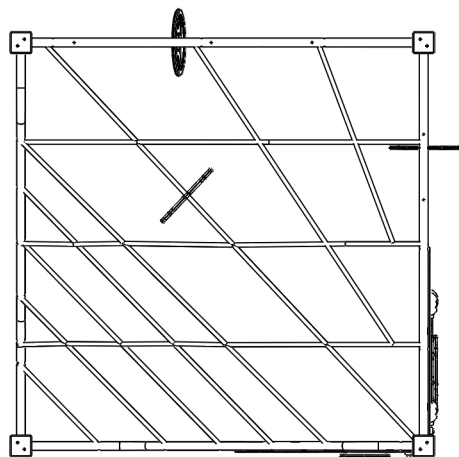
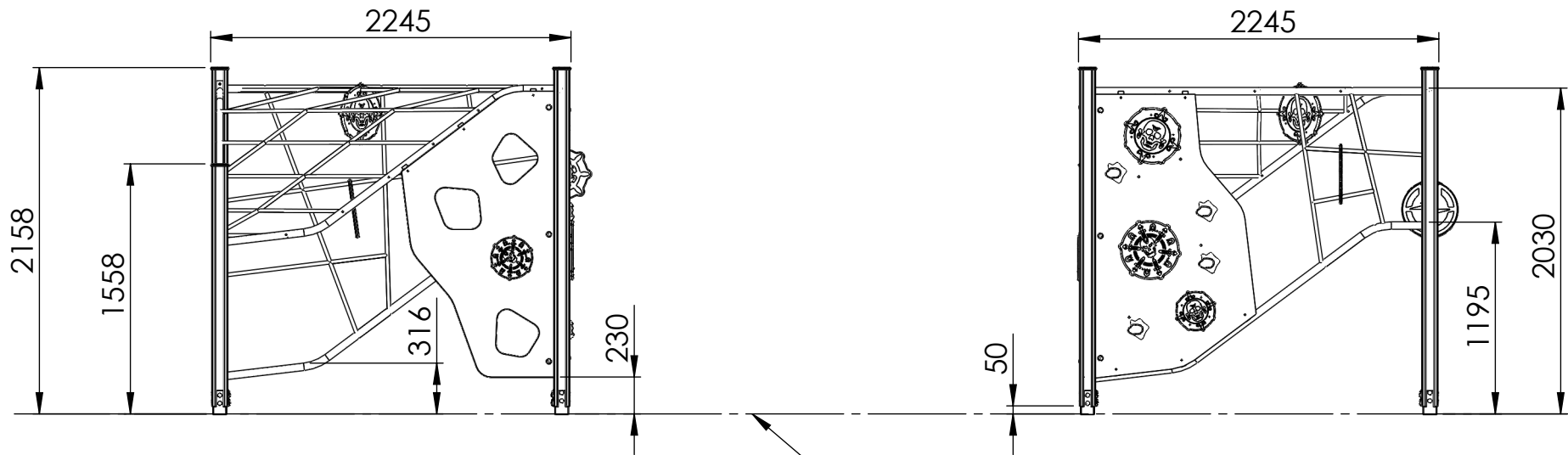
F



Tiptiptap OÜ

Tiptiptap OÜ
Veetorni 9,
Jüri alevik, Rae vald,
75301 Harjumaa

MATERIAL:	wood, metal, plastic	A4
WEIGHT:	SCALE: 1:40	SHEET 3 OF 9



Ground

UNLESS OTHERWISE SPECIFIED:
DIMENSIONS ARE IN MILLIMETERS
WEIGHT ARE IN KILOGRAMM

	NAME	SIGNATURE	DATE	REVISION
DRAWN	R.Fedotov		29.04.2015	
APPV'D				

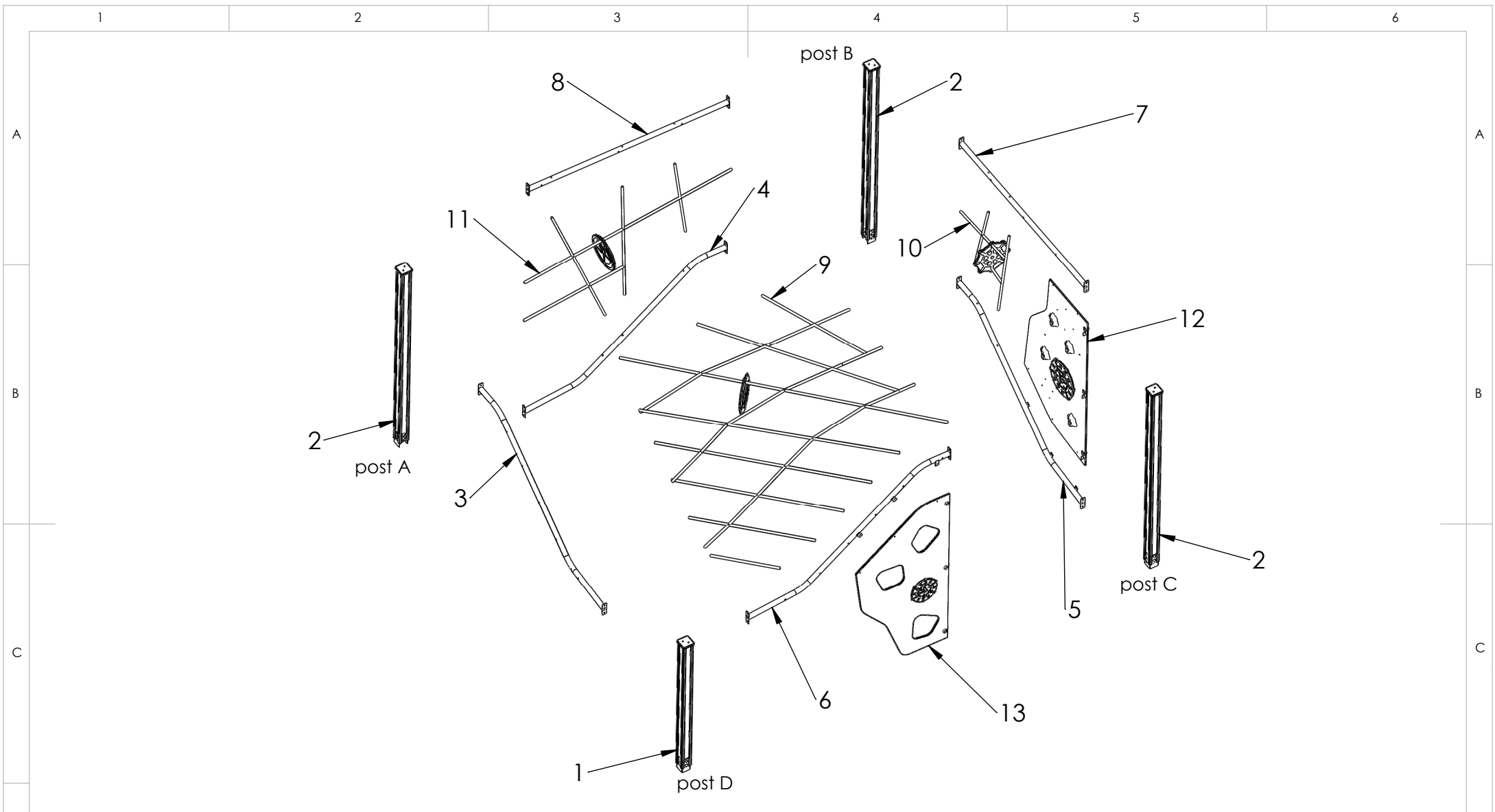
PART NUMBER / DWG NO.:
NW210 P


DESCRIPTION:
Morgan




Tiptaptap OÜ
Tiptaptap OÜ
Veetorni 9,
Jüri alevik, Rae vald,
75301 Harjumaa

MATERIAL:	wood, metal, plastic	A4
WEIGHT:		SCALE: 1:40
		SHEET 4 OF 9

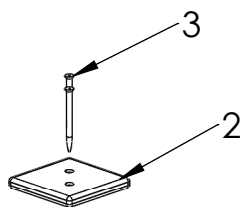


UNLESS OTHERWISE SPECIFIED: DIMENSIONS ARE IN MILLIMETERS WEIGHT ARE IN KILOGRAMM					PART NUMBER / DWG NO.: NW210 P	
	NAME	SIGNATURE	DATE	REVISION	DESCRIPTION: Morgan	
DRAWN	R.Fedotov		29.04.2015			
APPV'D						
 Tiptap OÜ Tiptap OÜ Veetorni 9, Jüri alevik, Rae vald, 75301 Harjumaa					MATERIAL:	wood, metal, plastic
					WEIGHT:	SCALE: 1:45
					SHEET 5 OF 9	

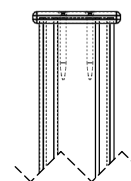
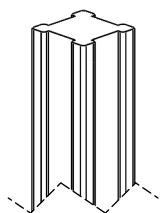
	1	2	3	4
	ITEM NO.	PART NUMBER	DESCRIPTION	QTY.
A	1	post 98x98x1500	laminated wood	1
	2	post 98x98x2100	laminated wood	3
	3	NW210 pipe with radius A	painting steel	1
B	4	NW210 pipe with radius B	painting steel	1
	5	NW210 pipe with radius C	painting steel	1
	6	NW210 pipe with radius D	painting steel	1
	7	NW210 pipe A	painting steel	1
C	8	NW210 pipe B	painting steel	1
	9	NW2140 P rope big	∅ 16 PPcovered steel wire	1
	10	NW210P Rope with wheel	∅ 16 PPcovered steel wire	1
	11	NW210P rope with compass	∅ 16 PPcovered steel wire	1
D	12	climbing wall with climbing grips	plywood, polyresin	1
	13	climbing wall with holes	plywood	1
E				

F	UNLESS OTHERWISE SPECIFIED: DIMENSIONS ARE IN MILLIMETERS WEIGHT ARE IN KILOGRAMM				PART NUMBER / DWG NO.:		NW210 P	
		NAME	SIGNATURE	DATE	REVISION	DESCRIPTION:		
	DRAWN	R.Fedotov		29.04.2015				
	APPV'D					MATERIAL:		
 Tiptiptap OÜ Tiptiptap OÜ Veetorni 9, Jüri alevik, Rae vald, 75301 Harjumaa					wood, metal, plastic			A4
WEIGHT:						SCALE: 1:45	SHEET 6 OF 9	

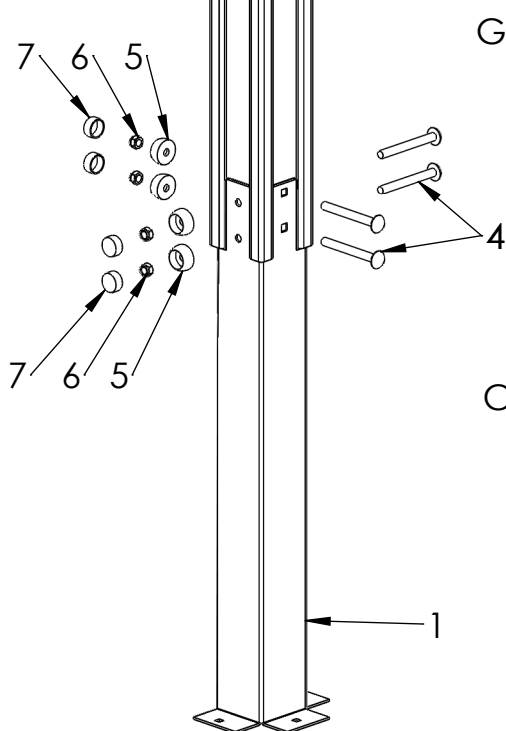
A



B



C



Ground

50

200

604

650

Concrete

 $\varnothing 300$

D

E

ITEM NO.	PART NUMBER
1	U ground fixing
2	plastic cap 115x115
3	Woodscrew 6 x 90
4	bolt DIN603 M10x100
5	nut cover M10
6	nut DIN985 M10
7	nut cover cap M10

UNLESS OTHERWISE SPECIFIED:
DIMENSIONS ARE IN MILLIMETERS
WEIGHT ARE IN KILOGRAMM

PART NUMBER / DWG NO.:

NW210 P

	NAME	SIGNATURE	DATE	REVISION
DRAWN	R.Fedotov		29.04.2015	
APPV'D				

DESCRIPTION:

Morgan

F



Tiptaptap OÜ

Tiptaptap OÜ
Veetorni 9,
Jüri alevik, Rae vald,
75301 Harjumaa

MATERIAL:

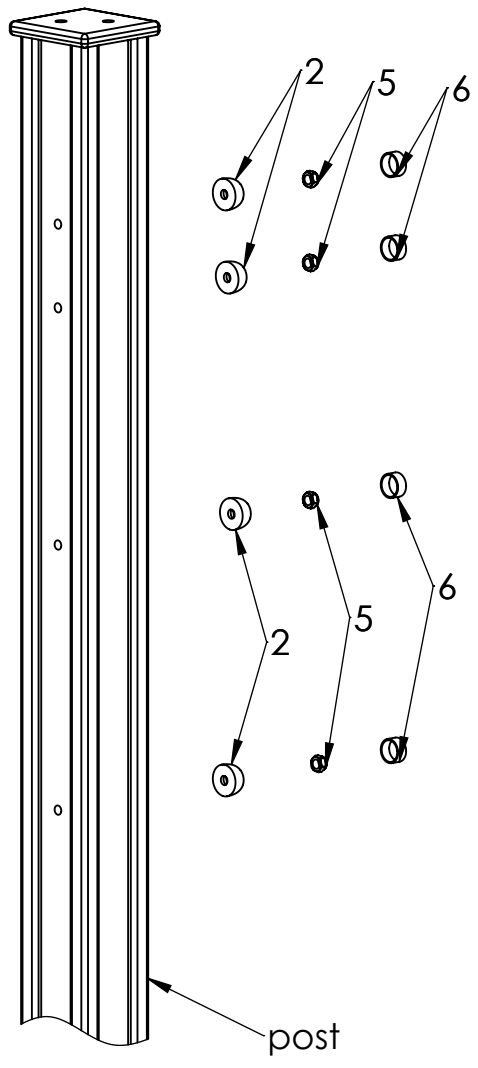
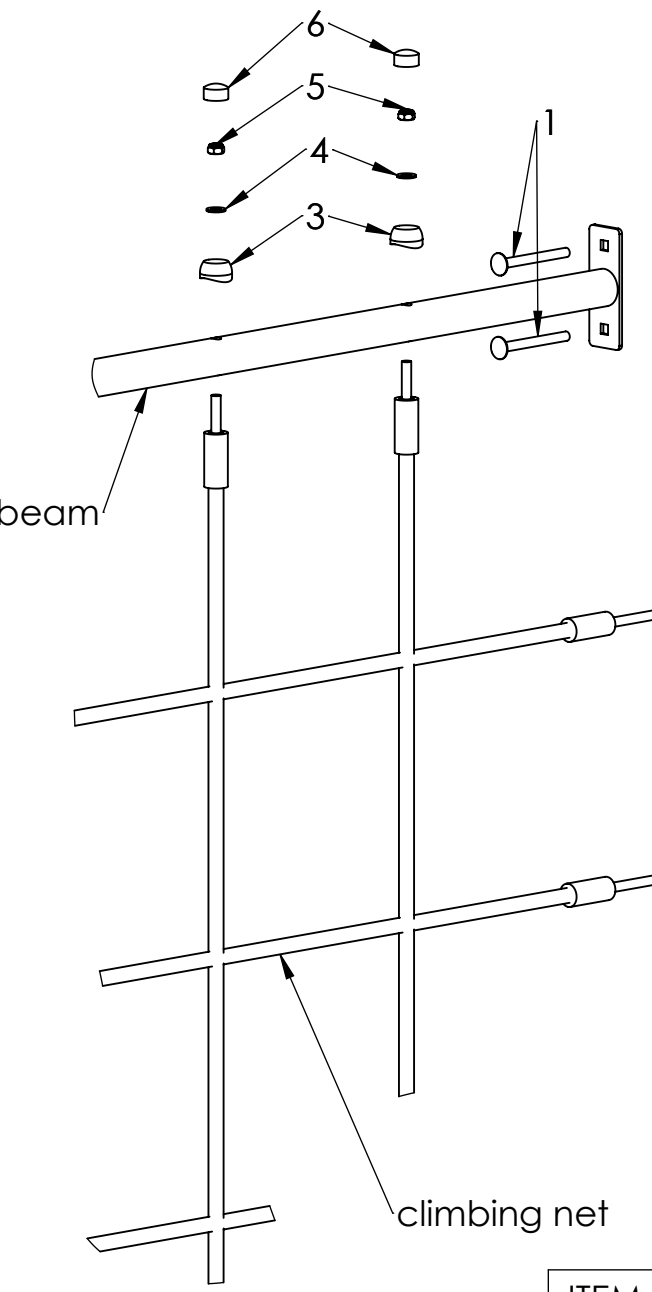
wood, metal, plastic

A4

WEIGHT:

SCALE: 1:10

SHEET 7 OF 9



ITEM NO.	PART NUMBER
1	bolt DIN603 M10x100
2	nut cover M10
3	nut cover for beam M10
4	washer M10
5	nut DIN985 M10
6	nut cover cap M10

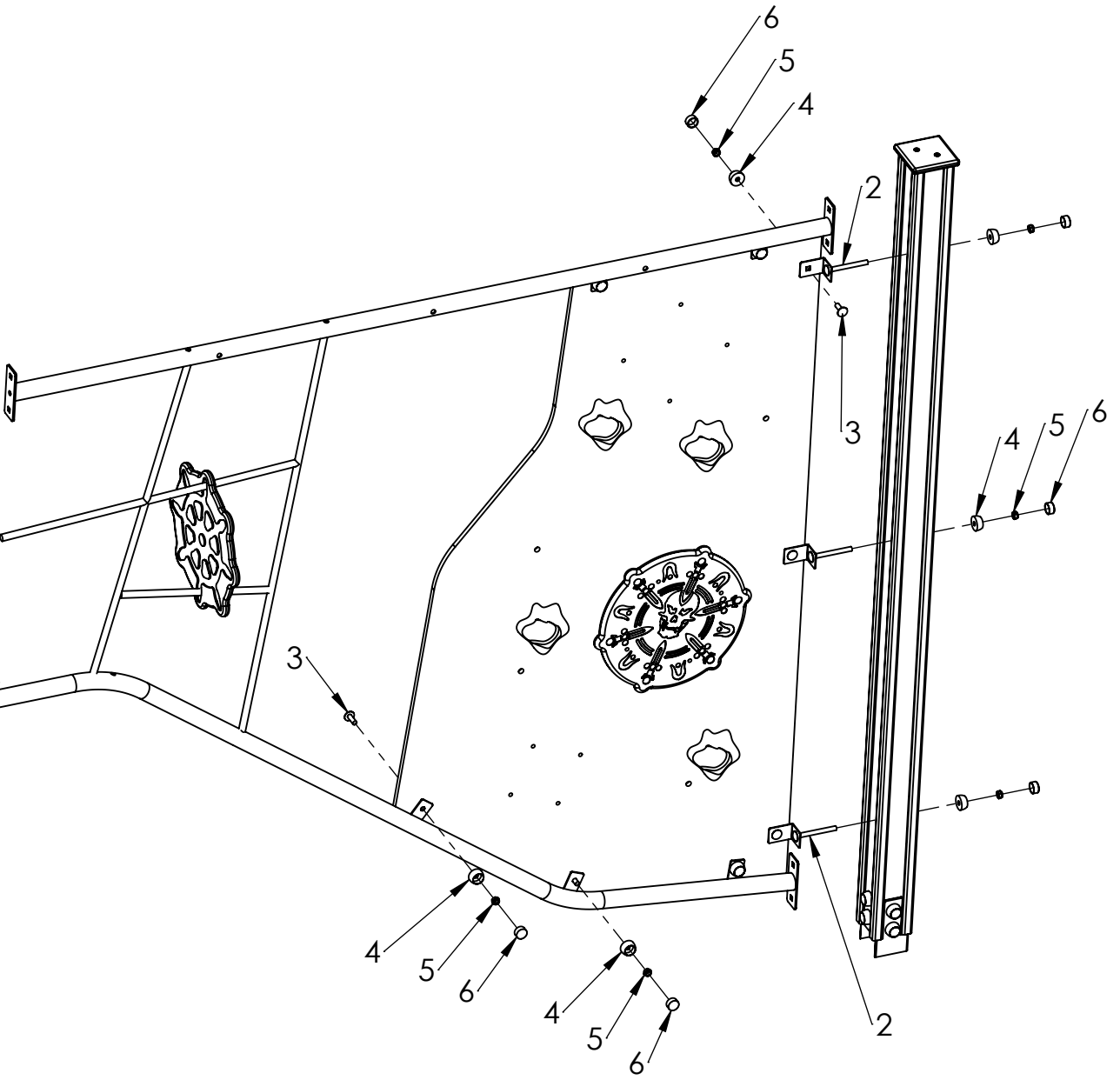
UNLESS OTHERWISE SPECIFIED: DIMENSIONS ARE IN MILLIMETERS WEIGHT ARE IN KILOGRAMM				
	NAME	SIGNATURE	DATE	REVISION
DRAWN	R.Fedotov			
APPV'D				

PART NUMBER / DWG NO.:	NW210 P
DESCRIPTION:	Morgan connecting beam and climbing net to post



Tiptaptap OÜ
Veetorni 9,
Jüri alevik, Rae vald,
75301 Harjumaa

MATERIAL:	wood, metal, plastic	A4
WEIGHT:	SCALE: 1:8	SHEET 8 OF 9



ITEM NO.	PART NUMBER	DESCRIPTION
1	Corner 90°	Galvanized steel
2	bolt DIN603 M10x100	galvanized steel
3	bolt DIN603 M10x30	galvanized steel
4	nut cover M10	nut cover M10
5	nut DIN985 M10	galvanized steel
6	nut cover cap M10	PE plastic

UNLESS OTHERWISE SPECIFIED:
DIMENSIONS ARE IN MILLIMETERS
WEIGHT ARE IN KILOGRAMM

	NAME	SIGNATURE	DATE	REVISION
DRAWN	R.Fedotov		29.04.2015	
APPV'D				

PART NUMBER / DWG NO.: **NW210 P**

DESCRIPTION: **Morgan**



Tiptiptap OÜ
Veetorni 9,
Jüri alevik, Rae vald,
75301 Harjumaa

MATERIAL:	wood, metal, plastic	A4
WEIGHT:	SCALE: 1:15	SHEET 9 OF 9