

A

B

C

D

E

F



UNLESS OTHERWISE SPECIFIED:  
DIMENSIONS ARE IN MILLIMETERS  
WEIGHT ARE IN KILOGRAMM

PART NUMBER / DWG NO.:

NW201

	NAME	SIGNATURE	DATE	REVISION
DRAWN	Erkki Sarv		22.03.2012	
APP'VD				

DESCRIPTION:

NATURE WORLD



**Tiptaptap** OÜ

Tiptaptap OÜ  
Veetorni 9,  
Jüri alevik, Rae vald,  
75301 Harjumaa

MATERIAL:

wood, metal, plastic

A4

WEIGHT:

SCALE: 1:40

SHEET 1 OF 6

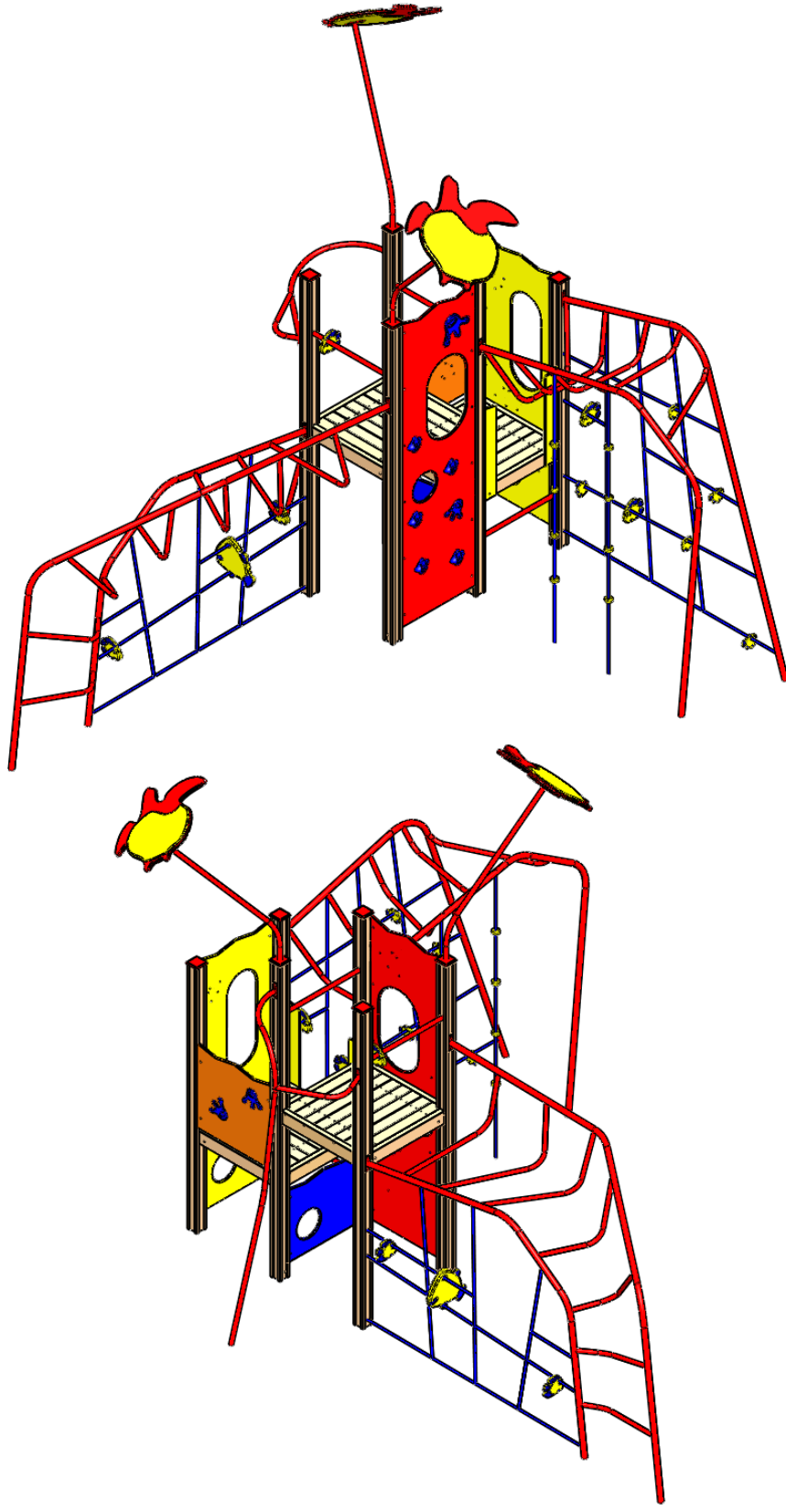
A

B

C

D

E



UNLESS OTHERWISE SPECIFIED:  
 DIMENSIONS ARE IN MILLIMETERS  
 WEIGHT ARE IN KILOGRAMM

	NAME	SIGNATURE	DATE	REVISION
DRAWN	Erkki Sarv		22.03.2012	
APPV'D				

PART NUMBER / DWG NO.:  
 NW201

DESCRIPTION:  
 NATURE WORLD



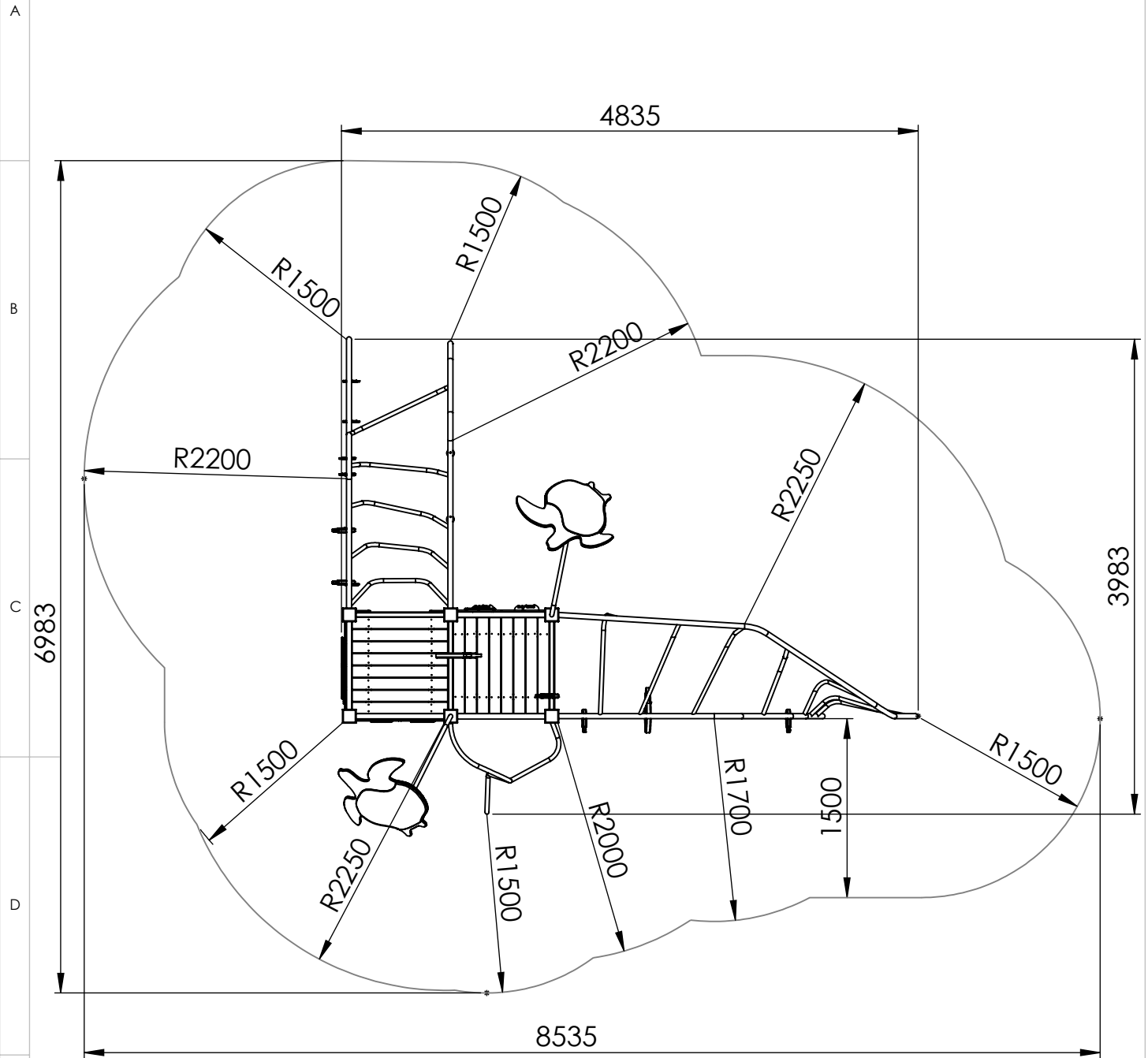
**Tiptaptap** OÜ  
 Veetorni 9,  
 Jüri alevik, Rae vald,  
 75301 Harjumaa

MATERIAL:  
 wood, metal, plastic

A4

WEIGHT: SCALE: 1:50 SHEET 2 OF 6

# safety area



UNLESS OTHERWISE SPECIFIED:  
DIMENSIONS ARE IN MILLIMETERS  
WEIGHT ARE IN KILOGRAMM

PART NUMBER / DWG NO.:

NW201

	NAME	SIGNATURE	DATE	REVISION
DRAWN	Erkki Sarv		22.03.2012	
APPV'D				

DESCRIPTION:

NATURE WORLD  
safety area



**Tiptaptap** OÜ

Tiptaptap OÜ  
Veetorni 9,  
Jüri alevik, Rae vald,  
75301 Harjumaa

MATERIAL:

wood, metal, plastic

A4

WEIGHT:

SCALE: 1:50

SHEET 3 OF 6

# foundation

A

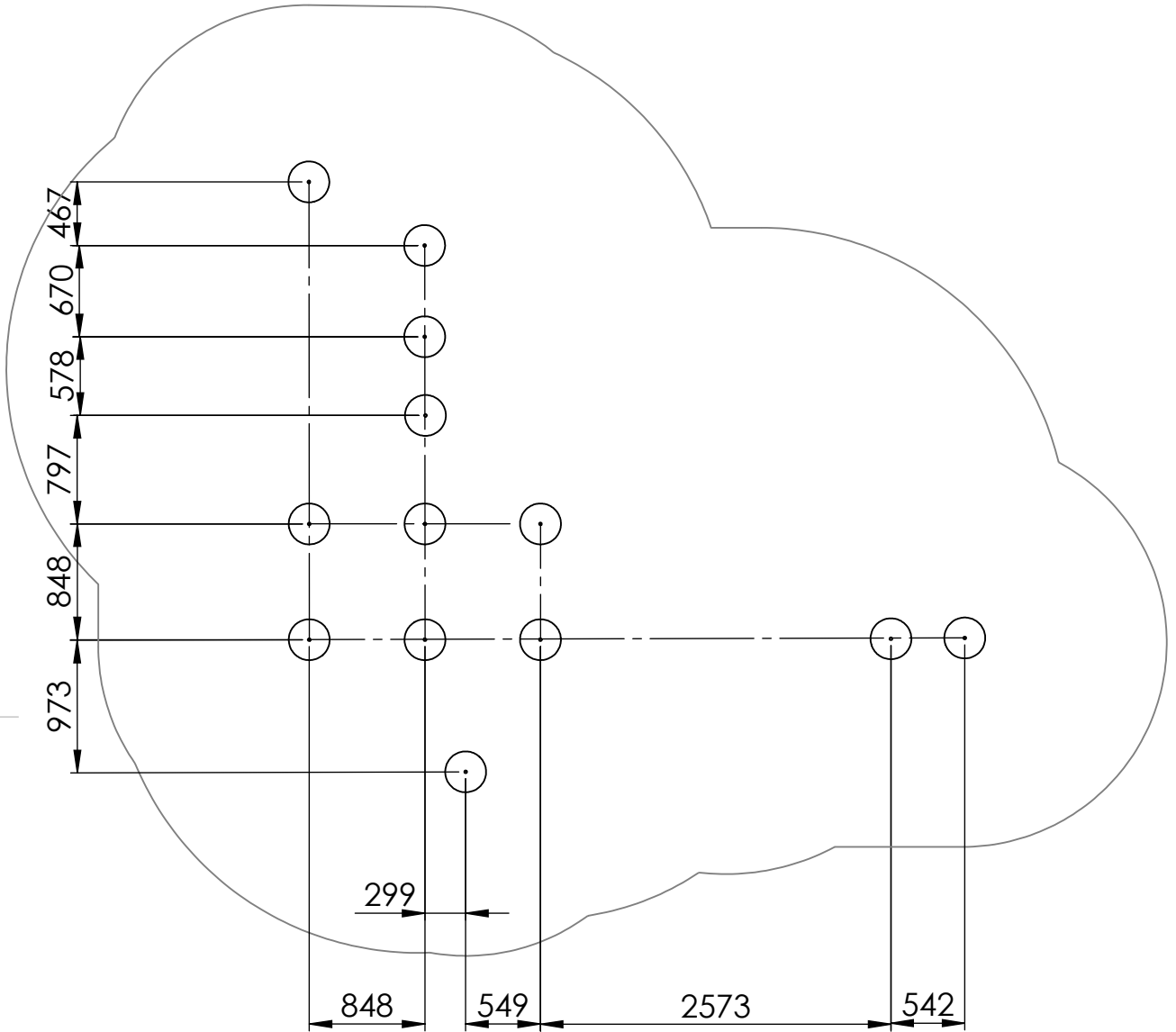
B

C

D

E

F



depth of foundation 450mm

UNLESS OTHERWISE SPECIFIED:  
DIMENSIONS ARE IN MILLIMETERS  
WEIGHT ARE IN KILOGRAMM

PART NUMBER / DWG NO.:

NW201

	NAME	SIGNATURE	DATE	REVISION
DRAWN	Erkki Sarv		22.03.2012	
APP'VD				

DESCRIPTION:

NATURE WORLD  
foundation

MATERIAL:

wood, metal, plastic

A4

WEIGHT:

SCALE: 1:50

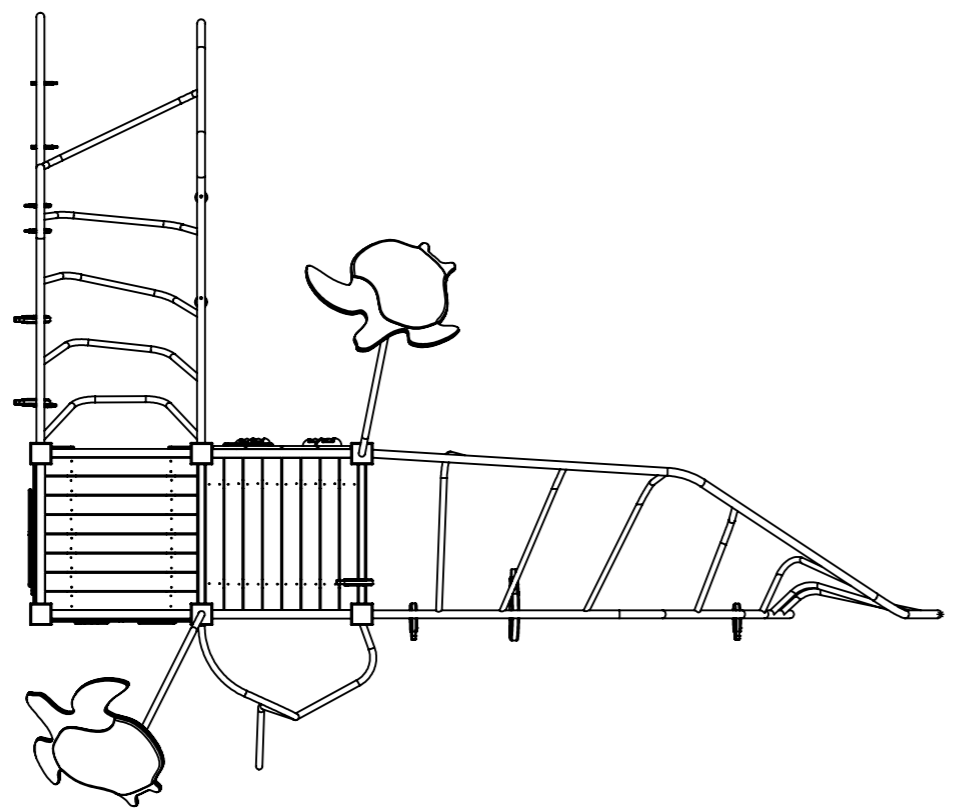
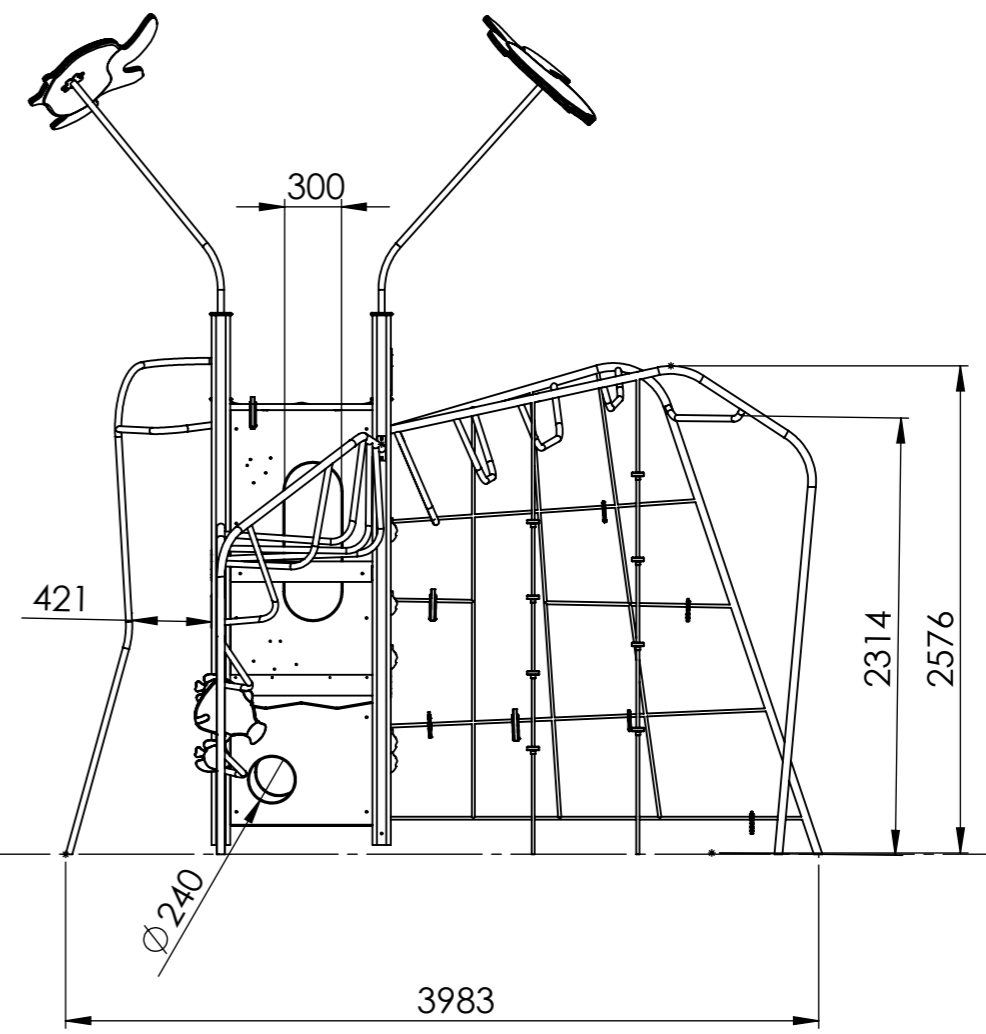
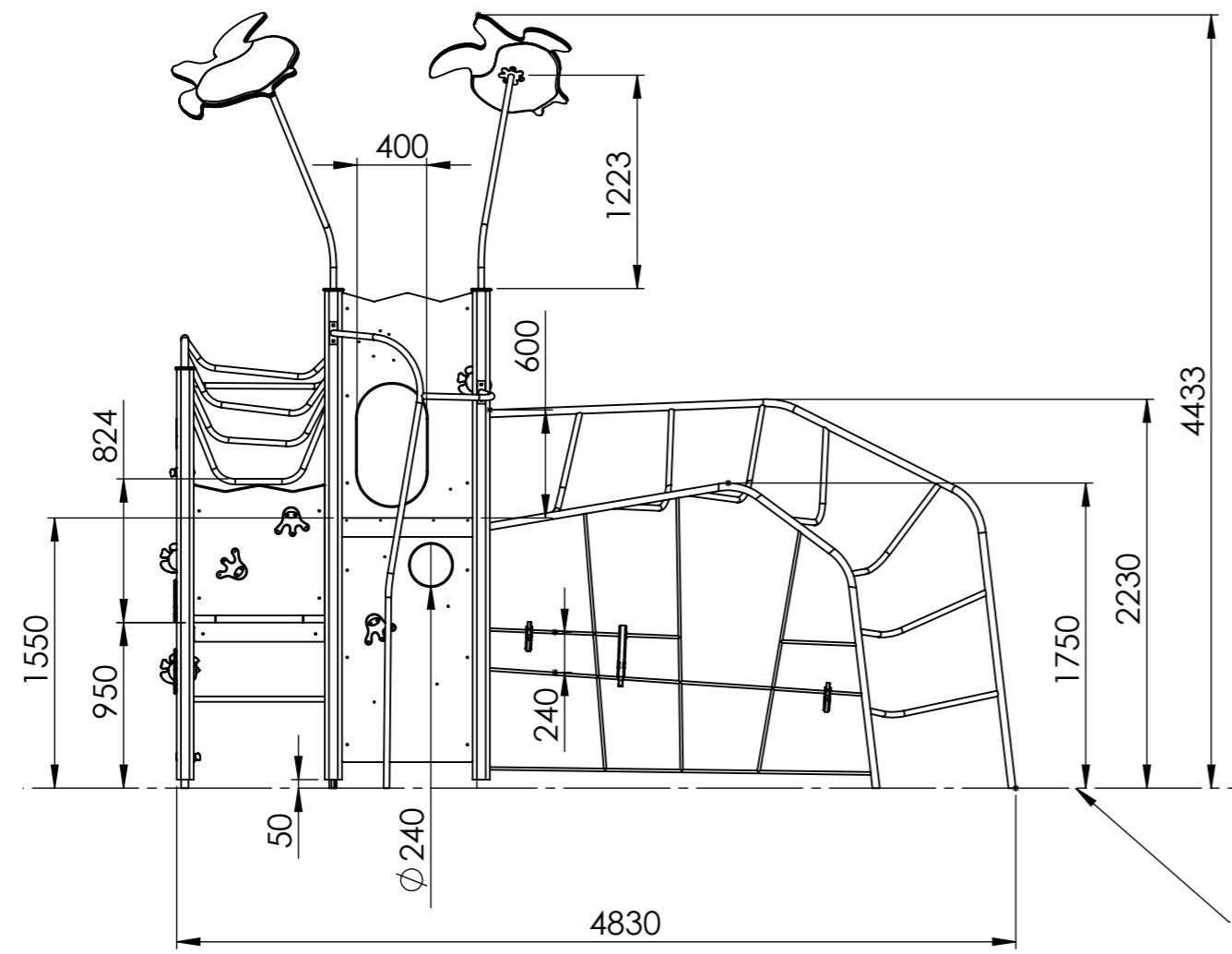
SHEET 4 OF 6




**Tiptiptap** OÜ

Tiptiptap OÜ  
Veetorni 9,  
Jüri alevik, Rae vald,  
75301 Harjumaa

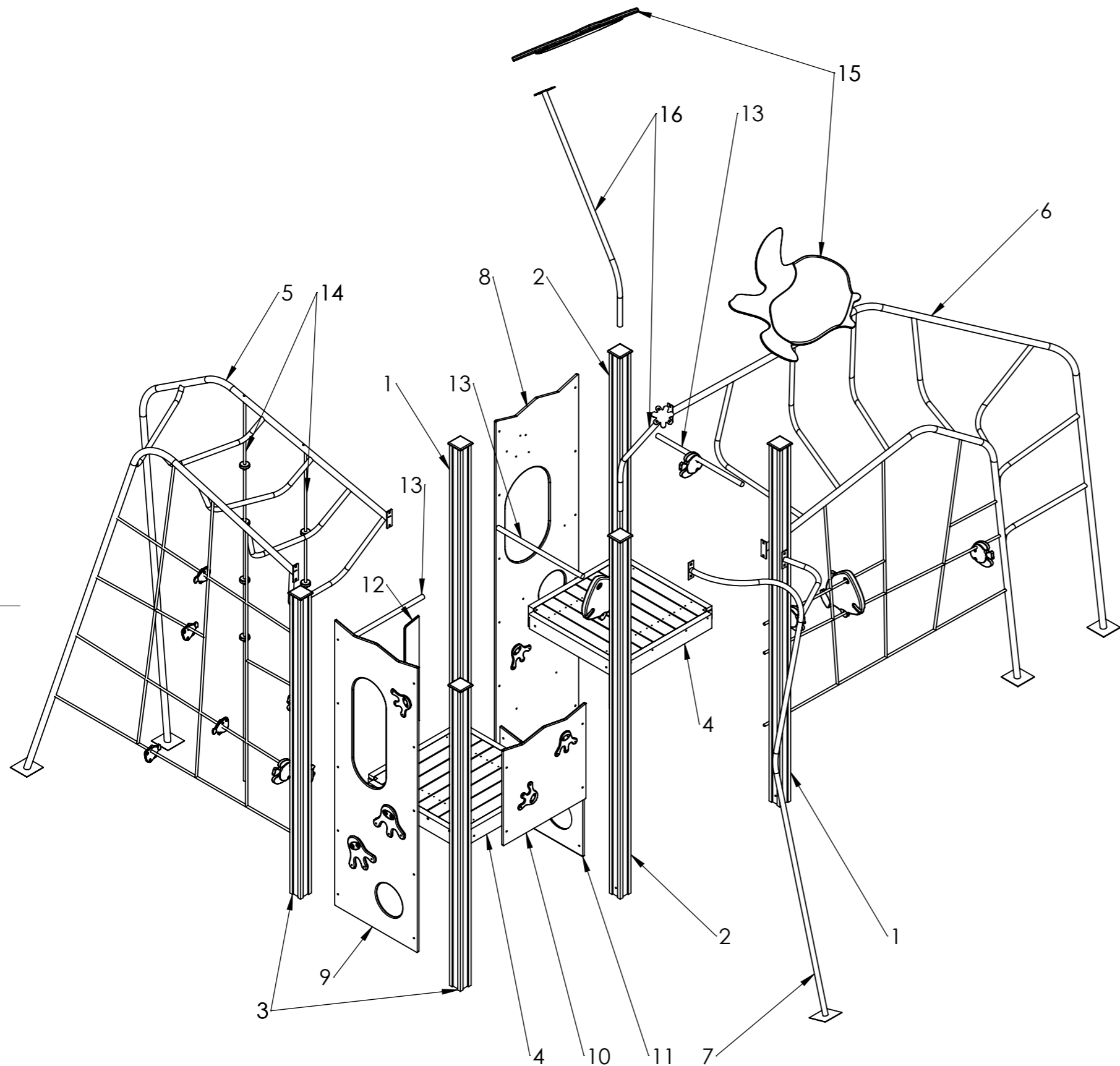
A  
B  
C  
D  
E  
F




ground

UNLESS OTHERWISE SPECIFIED: DIMENSIONS ARE IN MILLIMETERS WEIGHT ARE IN KILOGRAMM				PART NUMBER / DWG NO.: <b>NW201</b>	
NAME	SIGNATURE	DATE	REVISION	DESCRIPTION: <b>NATURE WORLD</b>	
DRAWN Erkki Sarv		22.03.2012		MATERIAL: wood, metal, plastic	
APPV'D				WEIGHT:	A4
 <b>Tiptaptap</b> <sup>oü</sup> Tiptaptap OÜ Veetorni 9, Jüri alevik, Rae vald, 75301 Harjumaa				SCALE: 1:40	SHEET 5 OF 6

A  
B  
C  
D  
E  
F



ITEM	PART NUMBER	DESCRIPTION	QTY.
1	post 98x98x2800 with top covers	laminated wood, PE plastik	2
2	post 98x98x2800 with top covers and hole for decorative detail	laminated wood, PE plastik	2
3	post 98x98x2350 with top cover	laminated wood, PE plastik	2
4	Platform	laminated wood	2
5	climbing ladder with rope net and decorative elements (A)	painted galvanized steel, $\phi$ 16mm PP covered steel wire and PE plastic	1
6	climbing ladder with rope net and decorative elements (B)	painted galvanized steel, $\phi$ 16mm PP covered steel wire and PE plastic	1
7	climbing pole	painted galvanized steel	1
8	climbing wall h-2680 with climbing elements	plywood, PE plastic	1
9	climbing wall h-2230 with climbing elements	plywood, PE plastic	1
10	panel 750x750, decorative elements	plywood, PE plastic	1
11	panel 750x640,	plywood	1
12	panel 825x127	plywood	2
13	guardrail $\phi$ 25x770	painted steel	3
14	climbing with climbing knots	$\phi$ 16 PP covered steel wire	2
15	decorative turtle	PE plastic	2
16	beam $\phi$ 33,7 for decorative details	painted steel	2

UNLESS OTHERWISE SPECIFIED: DIMENSIONS ARE IN MILLIMETERS WEIGHT ARE IN KILOGRAMM				PART NUMBER / DWG NO.: <b>NW201</b>	
NAME	SIGNATURE	DATE	REVISION	DESCRIPTION: <b>NATURE WORLD</b>	
DRAWN	Erkki Sarv	22.03.2012		MATERIAL: wood, metal, plastic	
APPV'D				WEIGHT:	A4
 <b>Tiptap</b> OÜ Tiptap OÜ Veetorni 9, Jüri alevik, Rae vald, 75301 Harjumaa				SCALE: 1:30	SHEET 6 OF 6