

A

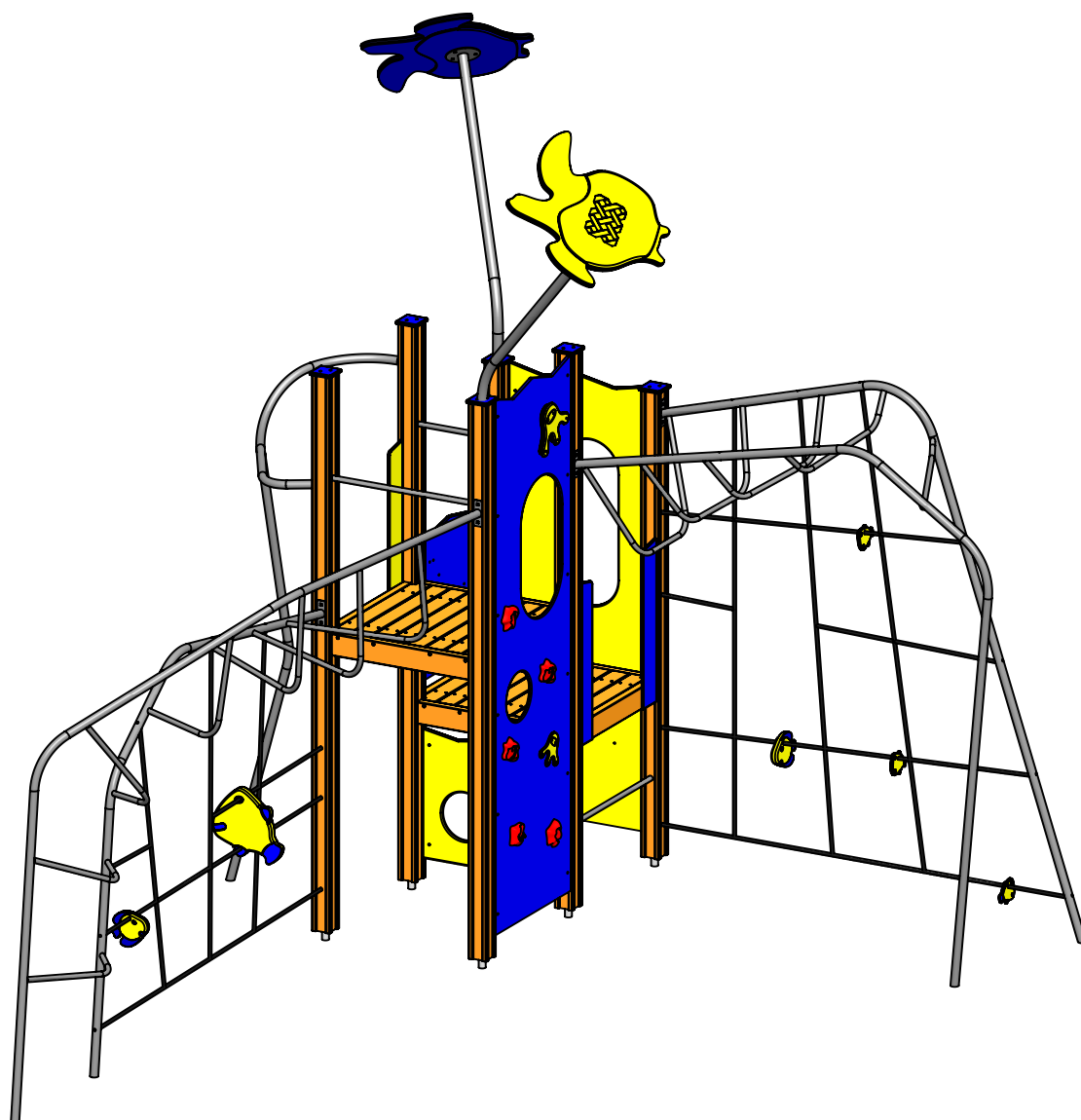
B

C

D

E

F



UNLESS OTHERWISE SPECIFIED:
DIMENSIONS ARE IN MILLIMETERS
WEIGHT ARE IN KILOGRAMM

PART NUMBER / DWG NO.:

NW201 W MF

	NAME	SIGNATURE	DATE	REVISION
DRAWN	M.Rebase		13.07.2015	
APPV'D				

DESCRIPTION:

TURTLE



Tiptaptap OÜ

Tiptaptap OÜ
Veetorni 9,
Jüri alevik, Rae vald,
75301 Harjumaa

MATERIAL:

wood, metal, plastic

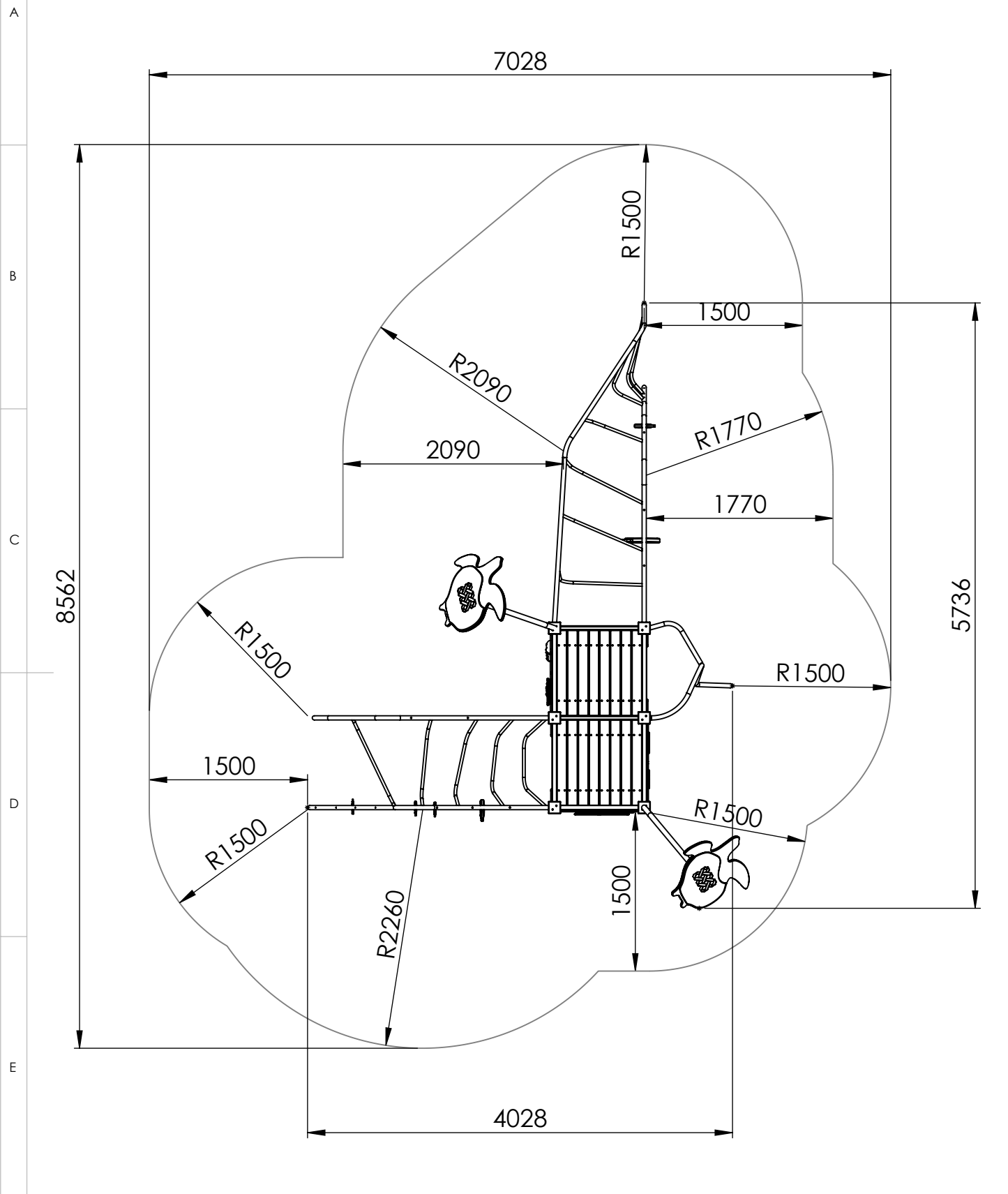
A4

WEIGHT:

SCALE: 1:35

SHEET 1 OF 13

safety area



UNLESS OTHERWISE SPECIFIED:
DIMENSIONS ARE IN MILLIMETERS
WEIGHT ARE IN KILOGRAMM

PART NUMBER / DWG NO.:

NW201 W MF

	NAME	SIGNATURE	DATE	REVISION
DRAWN	M.Rebase		13.07.2015	
APPV'D				

DESCRIPTION:

TURTLE



Tiptaptap OÜ

Tiptaptap OÜ
Veetorni 9,
Jüri alevik, Rae vald,
75301 Harjumaa

MATERIAL:

wood, metal, plastic

A4

WEIGHT:

SCALE: 1:50

SHEET 2 OF 13

foundation

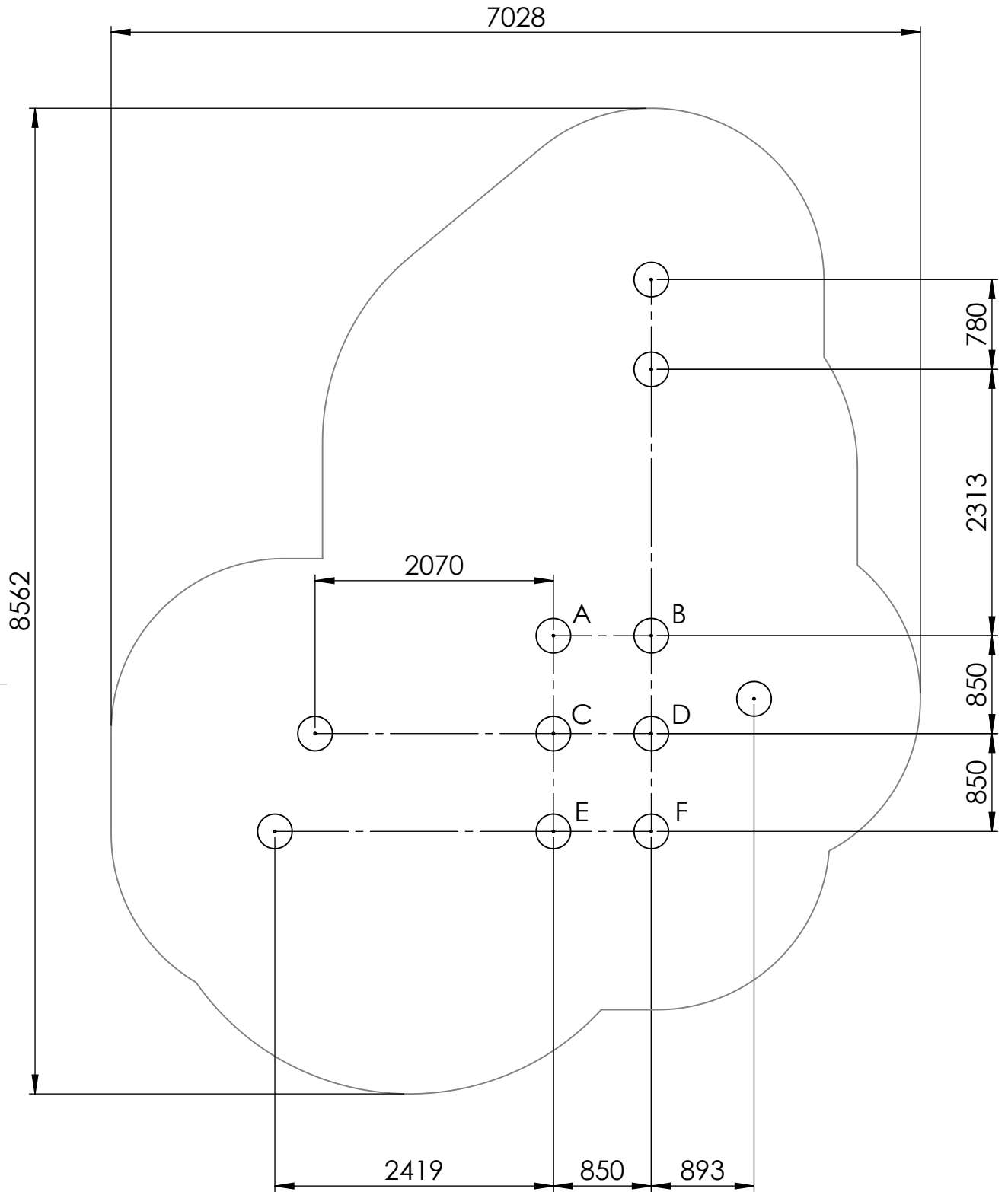
A

B

C

D

E



UNLESS OTHERWISE SPECIFIED:
DIMENSIONS ARE IN MILLIMETERS
WEIGHT ARE IN KILOGRAMM

PART NUMBER / DWG NO.:

NW201 W MF

	NAME	SIGNATURE	DATE	REVISION
DRAWN	M.Rebase		13.07.2015	
APPV'D				

DESCRIPTION:

TURTLE



Tiptiptap OÜ

Tiptiptap OÜ
Veetorni 9,
Jüri alevik, Rae vald,
75301 Harjumaa

MATERIAL:

wood, metal, plastic

A4

WEIGHT:

SCALE: 1:50

SHEET 3 OF 13

A

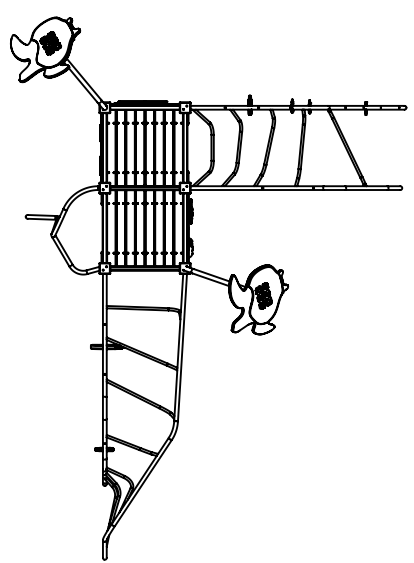
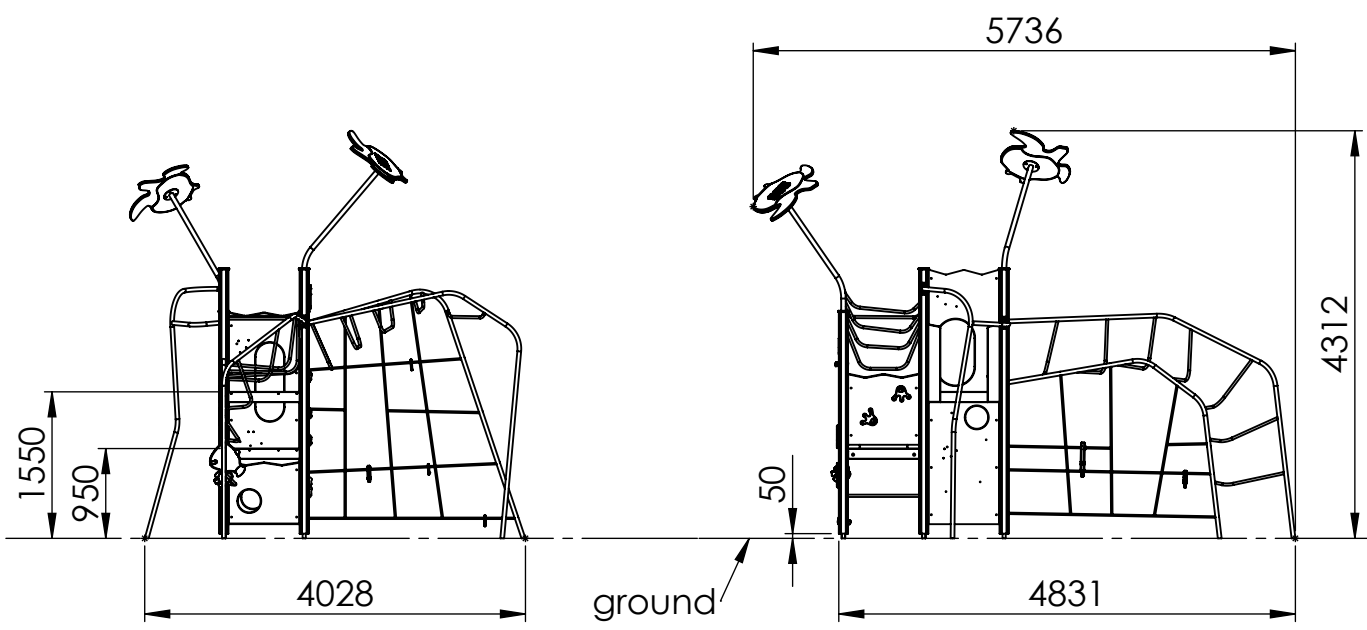
B

C

D

E

F



UNLESS OTHERWISE SPECIFIED:
DIMENSIONS ARE IN MILLIMETERS
WEIGHT ARE IN KILOGRAMM

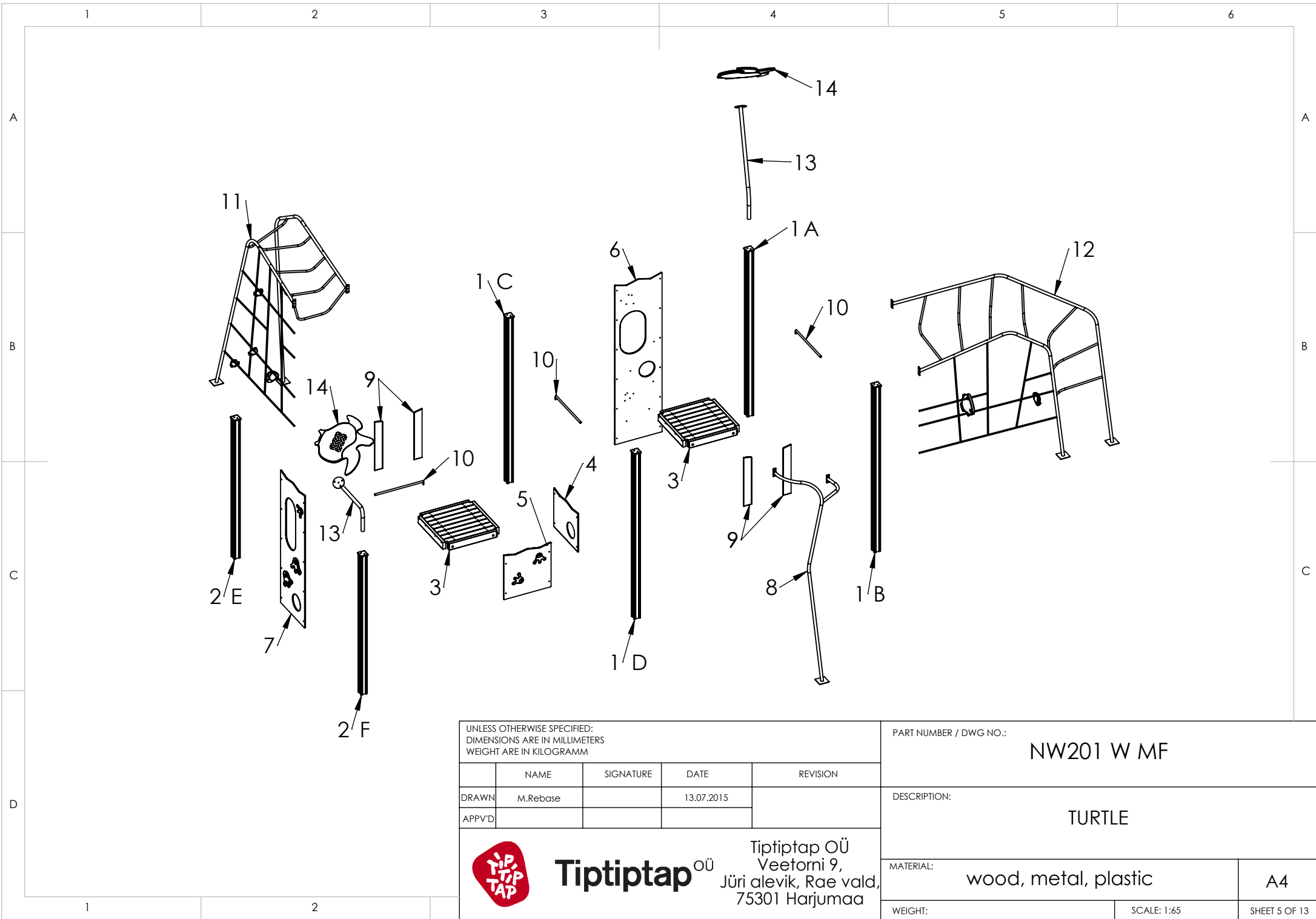
	NAME	SIGNATURE	DATE	REVISION
DRAWN	M.Rebase		13.07.2015	
APPV'D				

PART NUMBER / DWG NO.:	NW201 W MF
DESCRIPTION:	TURTLE



Tiptaptap OÜ
Veetorni 9,
Jüri alevik, Rae vald,
75301 Harjumaa

MATERIAL:	wood, metal, plastic	A4
WEIGHT:	SCALE: 1:80	SHEET 4 OF 13



UNLESS OTHERWISE SPECIFIED:
 DIMENSIONS ARE IN MILLIMETERS
 WEIGHT ARE IN KILOGRAMM

PART NUMBER / DWG NO.:
NW201 W MF

	NAME	SIGNATURE	DATE	REVISION
DRAWN	M.Rebase		13.07.2015	
APPV'D				

DESCRIPTION:
TURTLE



Tiptaptap OÜ
 Tiptaptap OÜ
 Veetorni 9,
 Jüri alevik, Rae vald,
 75301 Harjumaa

MATERIAL:	wood, metal, plastic	A4
WEIGHT:	SCALE: 1:65	SHEET 5 OF 13

ITEM NO.	PART NUMBER	DESCRIPTION	QTY.
1	post 98x98x2800	laminated wood	4
2	post 98x98x2350	laminated wood	2
3	platform	laminated wood, metal	2
4	panel 655x750	PE plastic	1
5	panel 750x750	PE plastic	1
6	climbing wall (A)	PE plastic	1
7	climbing wall (B)	PE plastic	1
8	fireman pole	painted steel	1
9	safety panel	PE plastic	4
10	guardrail ϕ 25x770	painted steel	3
11	climbing ladder with rope net and decorative elements (A)	ϕ painted galvanized steel, 16mm PP covered steel wire and PE plastic	1
12	climbing ladder with rope net and decorative elements (B)	ϕ painted galvanized steel, 16mm PP covered steel wire and PE plastic	1
13	beam ϕ 33,7 for decorative details	painted steel	2
14	decorative turtle	PE plastic	2

UNLESS OTHERWISE SPECIFIED:
DIMENSIONS ARE IN MILLIMETERS
WEIGHT ARE IN KILOGRAMM

PART NUMBER / DWG NO.:

NW201 W MF

	NAME	SIGNATURE	DATE	REVISION
DRAWN	M.Rebase		13.07.2015	
APPV'D				

DESCRIPTION:

TURTLE



Tiptiptap OÜ

Tiptiptap OÜ
Veetorni 9,
Jüri alevik, Rae vald,
75301 Harjumaa

MATERIAL:

wood, metal, plastic

A4

WEIGHT:

SCALE: 1:65

SHEET 6 OF 13

A

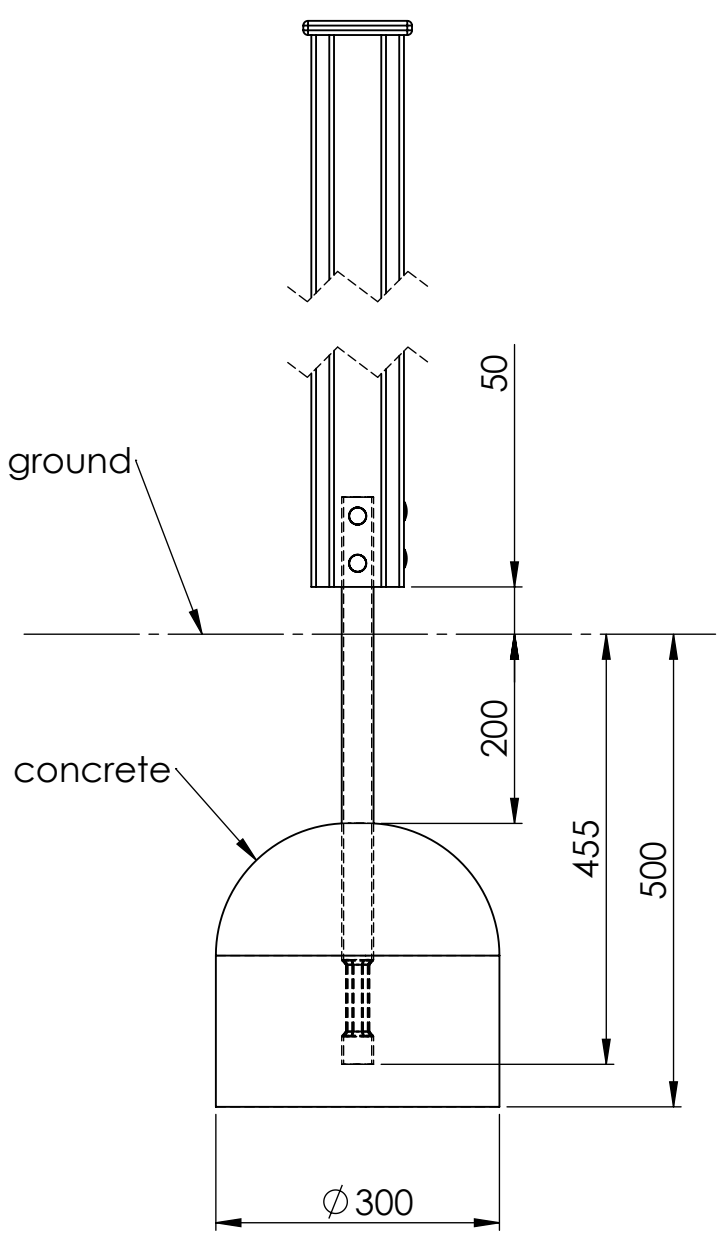
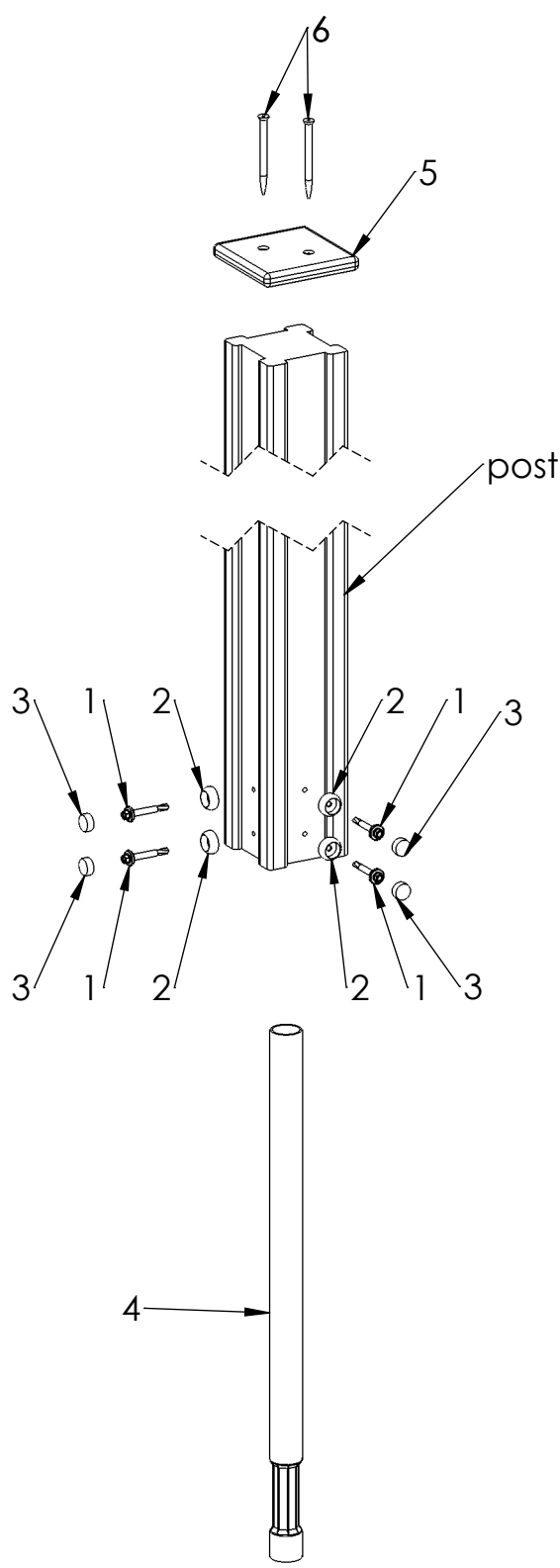
B

C

D

E

F



ITEM NO.	PART NUMBER
1	screw DIN7504K 5,5x50
2	nut cover M6
3	nut cover cap M6
4	metal ground fixing L_600
5	plastic cap 115x115
6	woodscrew 6 x 90

UNLESS OTHERWISE SPECIFIED:
 DIMENSIONS ARE IN MILLIMETERS
 WEIGHT ARE IN KILOGRAMM

	NAME	SIGNATURE	DATE	REVISION
DRAWN	M.Rebase		13.07.2015	
APPV'D				

PART NUMBER / DWG NO.:
NW201 W MF

DESCRIPTION:
**TURTLE
 connecting metal ground fixing to post**



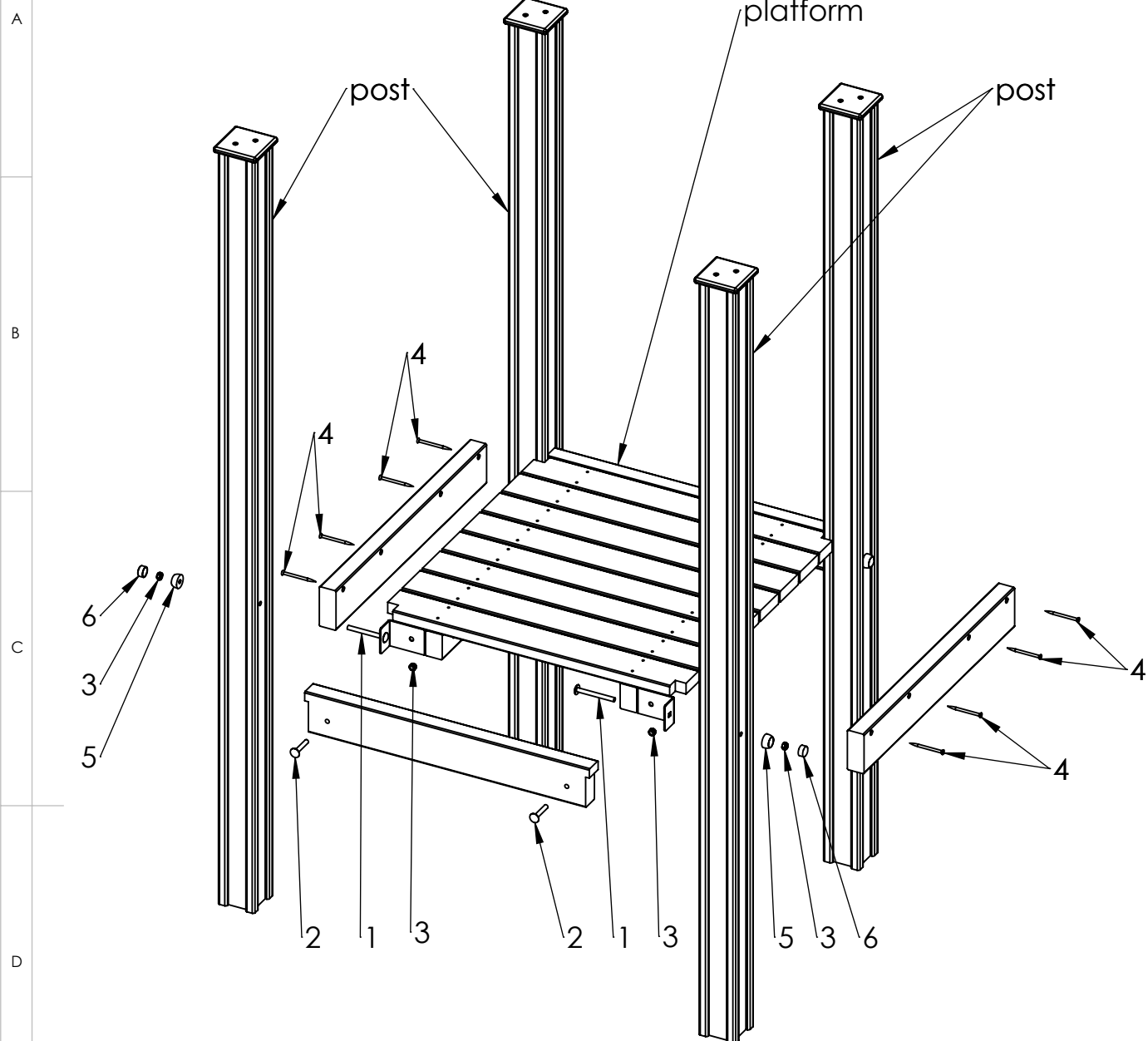
Tiptaptap OÜ

Tiptaptap OÜ
 Veetorni 9,
 Jüri alevik, Rae vald,
 75301 Harjumaa

MATERIAL: wood, metal, plastic

A4

WEIGHT: SCALE: 1:8 SHEET 7 OF 13



E

ITEM NO.	PART NUMBER
1	bolt DIN603 M10x100
2	bolt DIN603 M10x60
3	nut DIN985 M10
4	woodscrew 6 x 90
5	nut cover M10
6	nut cover cap M10

F

UNLESS OTHERWISE SPECIFIED:
DIMENSIONS ARE IN MILLIMETERS
WEIGHT ARE IN KILOGRAMM

	NAME	SIGNATURE	DATE	REVISION
DRAWN	M.Rebase		13.07.2015	
APPV'D				

PART NUMBER / DWG NO.:

NW201 W MF

DESCRIPTION:

TURTLE
connecting platform to post

MATERIAL:

wood, metal, plastic

A4

WEIGHT:

SCALE: 1:15

SHEET 8 OF 13



Tiptiptap OÜ

Tiptiptap OÜ
Veetorni 9,
Jüri alevik, Rae vald,
75301 Harjumaa

A

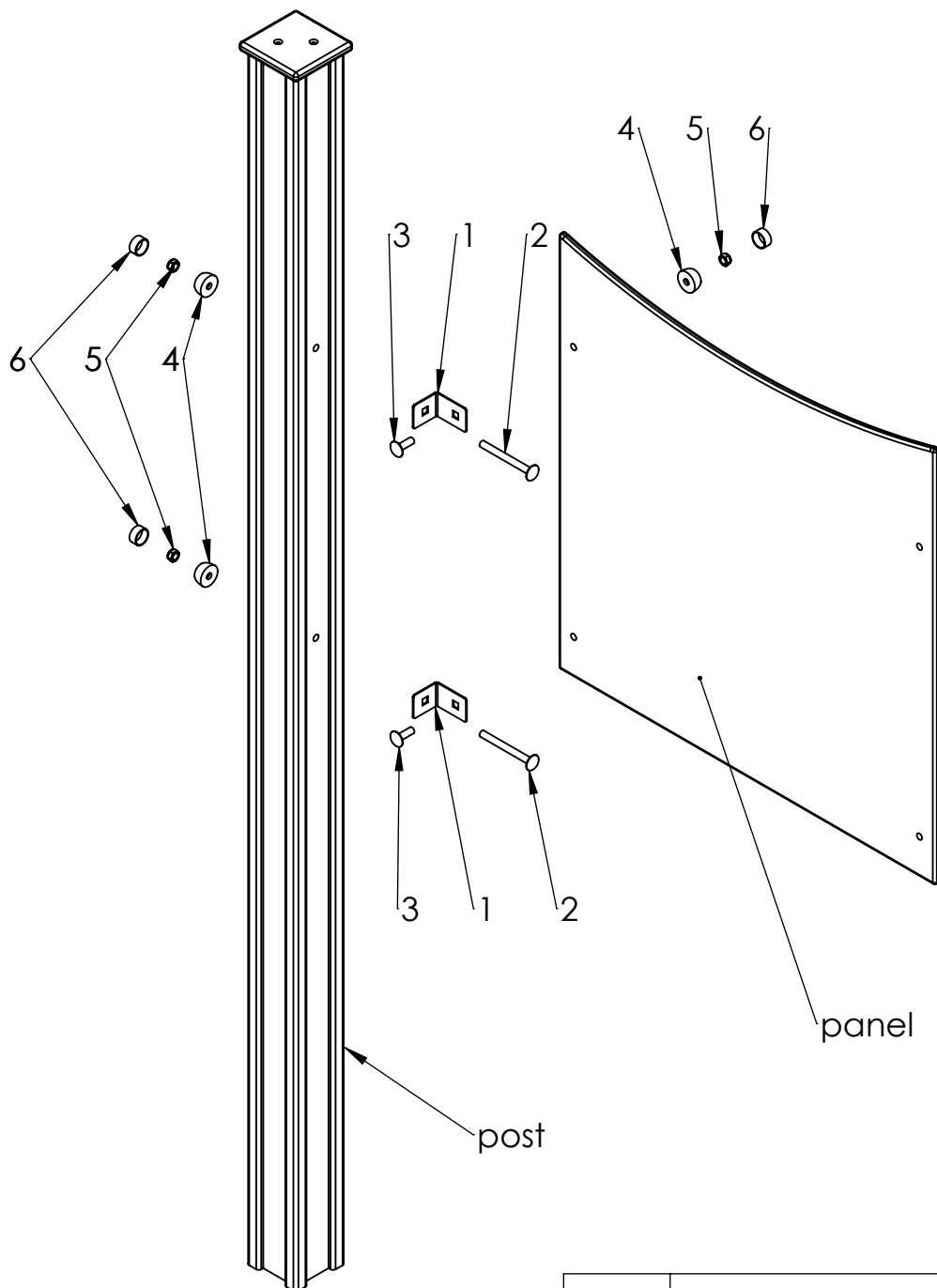
B

C

D

E

F



ITEM NO.	PART NUMBER
1	corner 48x60
2	bolt DIN603 M10x100
3	bolt DIN603 M10x30
4	nut cover M10
5	nut DIN985 M10
6	nut cover cap M10

UNLESS OTHERWISE SPECIFIED:
DIMENSIONS ARE IN MILLIMETERS
WEIGHT ARE IN KILOGRAMM

PART NUMBER / DWG NO.:

NW201 W MF

	NAME	SIGNATURE	DATE	REVISION
DRAWN	M.Rebase		13.07.2015	
APPV'D				

DESCRIPTION:

TURTLE
connecting panel to post

MATERIAL:

wood, metal, plastic

A4

WEIGHT:

SCALE: 1:10

SHEET 9 OF 13



Tiptap OÜ

Tiptap OÜ
Veetorni 9,
Jüri alevik, Rae vald,
75301 Harjumaa

A

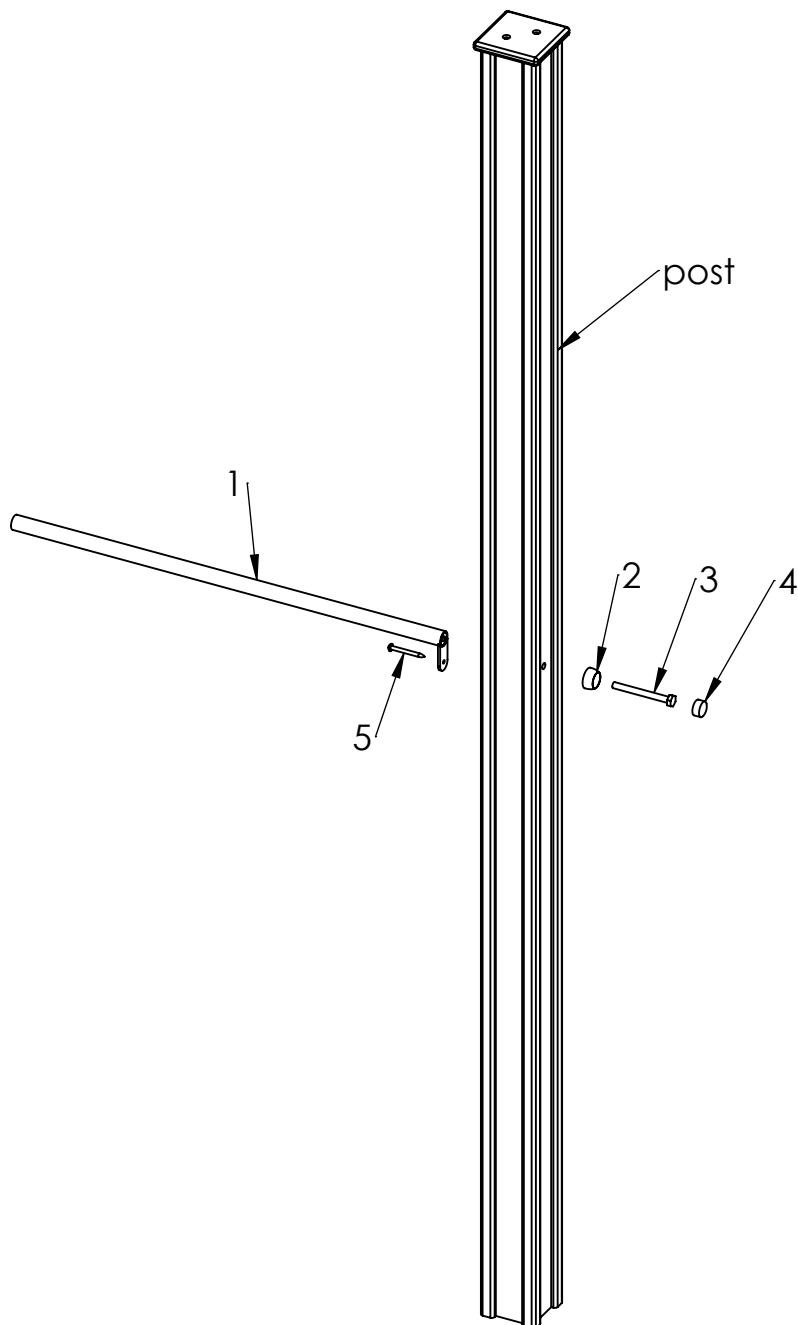
B

C

D

E

F



ITEM NO.	PART NUMBER
1	guardrail ϕ 25x770
2	nut cover M10
3	bolt DIN931 M10x100
4	nut cover cap M10
5	screw DIN7996 6x60

UNLESS OTHERWISE SPECIFIED:
DIMENSIONS ARE IN MILLIMETERS
WEIGHT ARE IN KILOGRAMM

	NAME	SIGNATURE	DATE	REVISION
DRAWN	M.Rebase		13.07.2015	
APPV'D				

PART NUMBER / DWG NO.:

NW201 W MF
connecting guardrail to post

DESCRIPTION:

TURTLE

MATERIAL:

wood, metal, plastic

A4

WEIGHT:

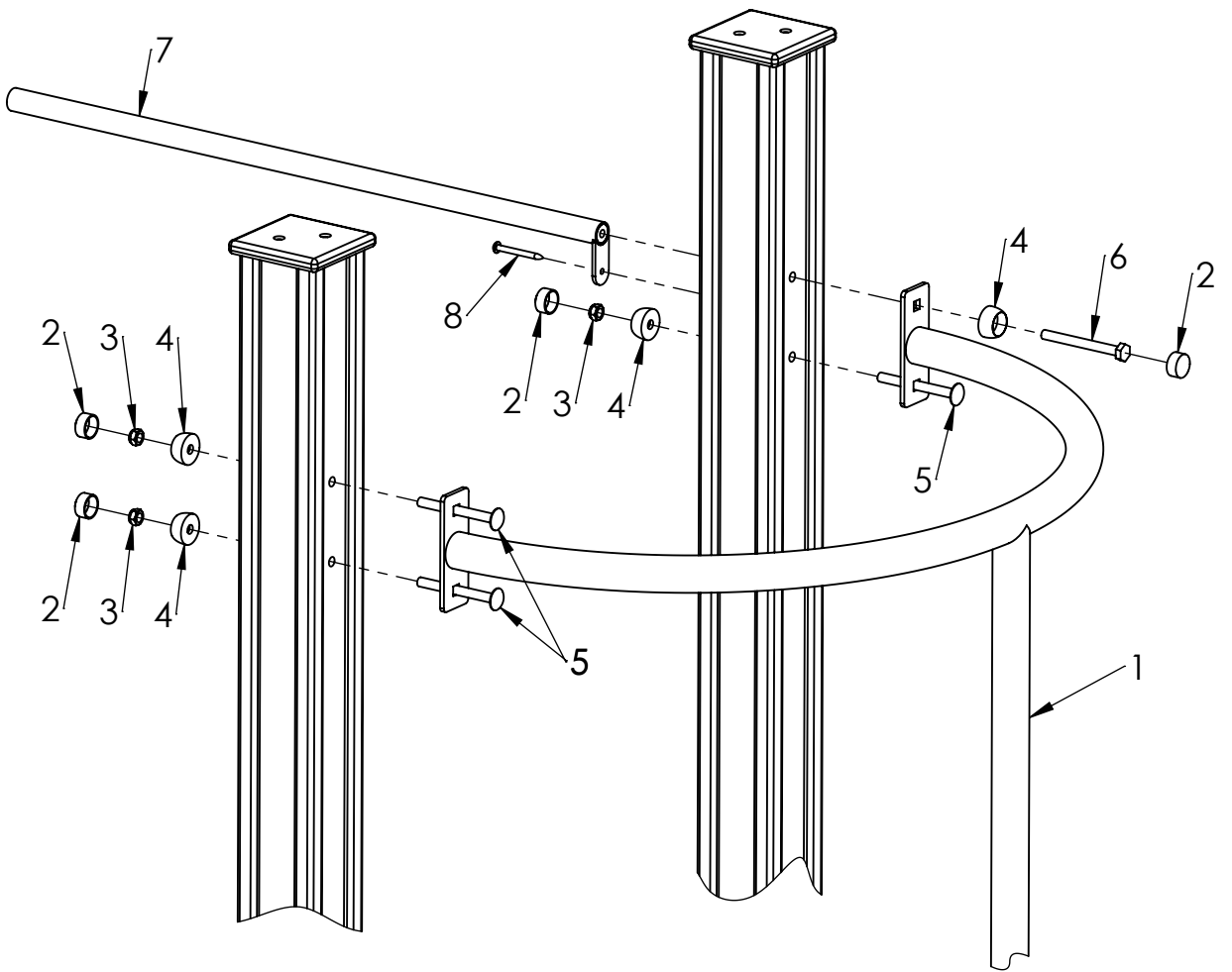
SCALE: 1:12

SHEET 10 OF 13



Tiptaptap OÜ

Tiptaptap OÜ
Veetorni 9,
Jüri alevik, Rae vald,
75301 Harjumaa



ITEM NO.	PART NUMBER
1	climbing pole
2	nut cover cap M10
3	nut DIN985 M10
4	nut cover M10
5	bolt DIN603 M10x100
6	bolt DIN931 M10x100
7	guardrail ϕ 25x770
8	screw DIN7996 6x60

UNLESS OTHERWISE SPECIFIED:
DIMENSIONS ARE IN MILLIMETERS
WEIGHT ARE IN KILOGRAMM

PART NUMBER / DWG NO.:

NW201 W MF

	NAME	SIGNATURE	DATE	REVISION
DRAWN	M.Rebase		13.07.2015	
APPV'D				

DESCRIPTION:

TURTLE

connecting climbing pole and quardrail to post

MATERIAL: wood, metal, plastic

A4

WEIGHT:

SCALE: 1:8

SHEET 11 OF 13



Tiptaptap OÜ

Tiptaptap OÜ
Veetorni 9,
Jüri alevik, Rae vald,
75301 Harjumaa

A

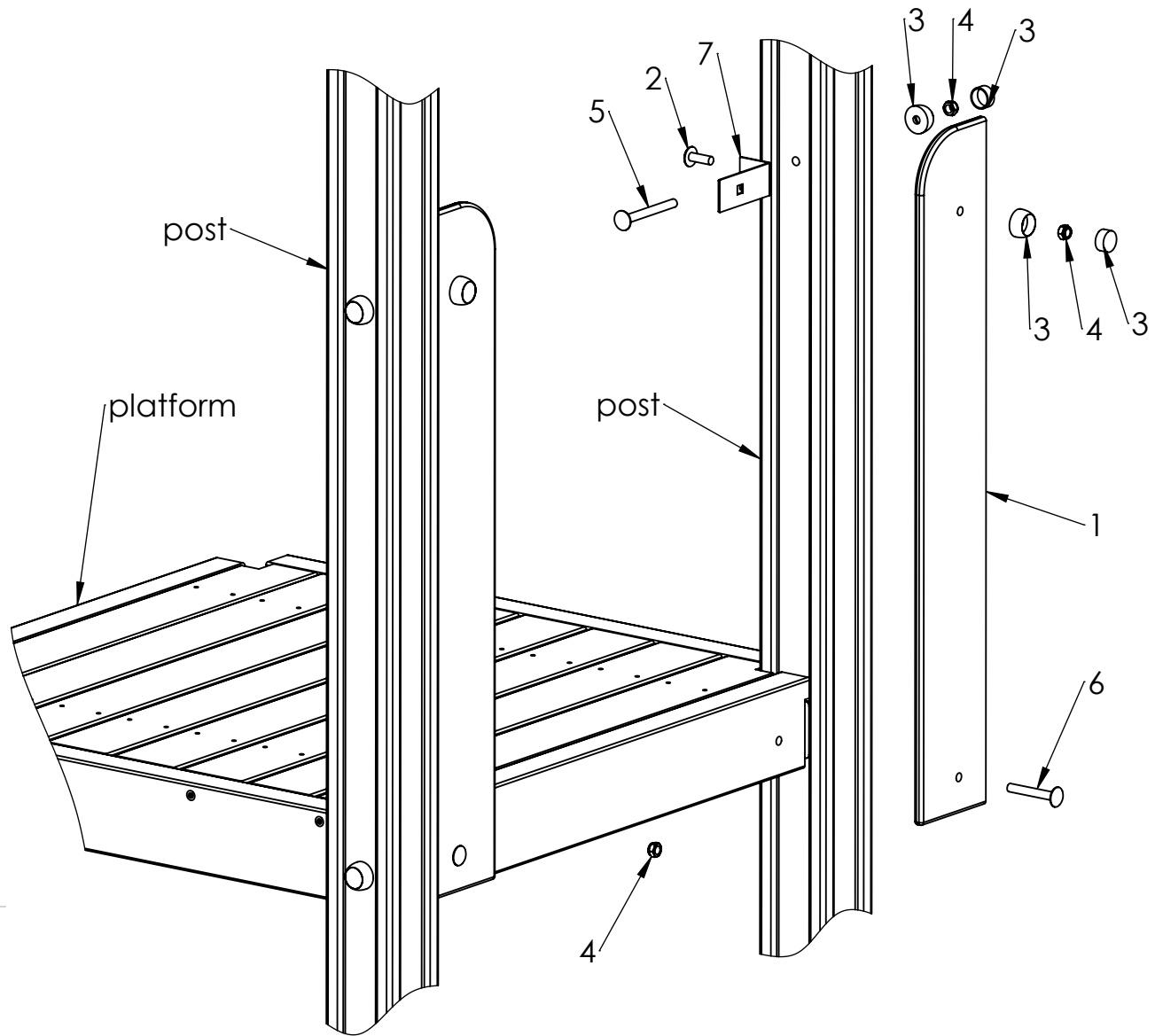
B

C

D

E

F



ITEM NO.	PART NUMBER
1	panel 850x126
2	bolt DIN603 M10x30
3	nut cover with cap
4	nut DIN985 M10
5	bolt DIN603 M10x100
6	bolt DIN603 M10x70
7	slide side panel fixing 40x100

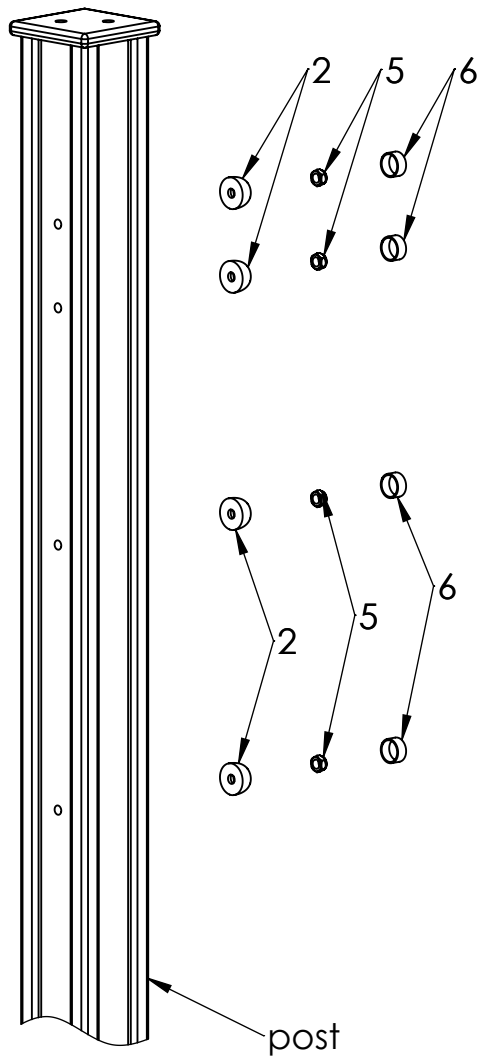
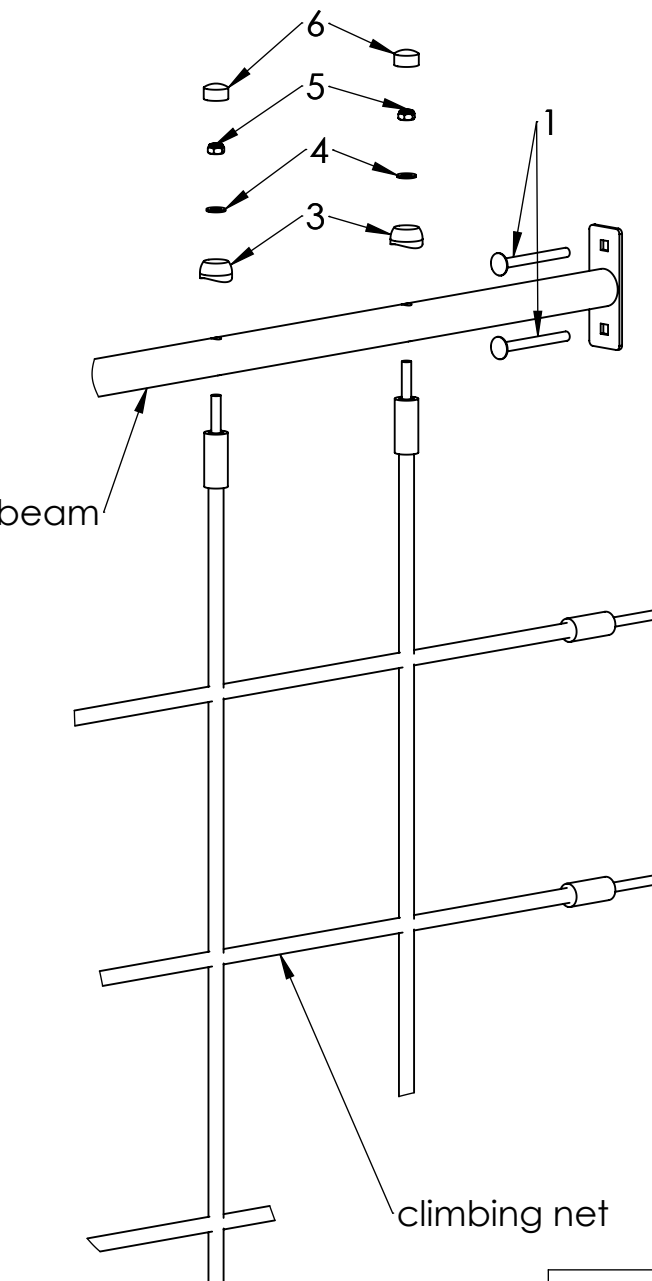
UNLESS OTHERWISE SPECIFIED: DIMENSIONS ARE IN MILLIMETERS WEIGHT ARE IN KILOGRAMM				
	NAME	SIGNATURE	DATE	REVISION
DRAWN	M.Rebase		13.07.2015	
APPV'D				

PART NUMBER / DWG NO.:		NW201 W MF	
DESCRIPTION:			
TURTLE			
connecting climbing pole side panels			
MATERIAL:		wood, metal, plastic	A4
WEIGHT:		SCALE: 1:8	SHEET 12 OF 13



Tiptaptap OÜ

Tiptaptap OÜ
Veetorni 9,
Jüri alevik, Rae vald,
75301 Harjumaa



ITEM NO.	PART NUMBER
1	bolt DIN603 M10x100
2	nut cover M10
3	nut cover for beam M10
4	washer M10
5	nut DIN985 M10
6	nut cover cap M10

UNLESS OTHERWISE SPECIFIED: DIMENSIONS ARE IN MILLIMETERS WEIGHT ARE IN KILOGRAMM				
	NAME	SIGNATURE	DATE	REVISION
DRAWN	M.Rebase		13.07.2015	
APPV'D				

PART NUMBER / DWG NO.:		NW201 W MF	
DESCRIPTION:			
TURTLE			
connecting beam and climbing net to post			
MATERIAL:		wood, metal, plastic	A4
WEIGHT:		SCALE: 1:8	SHEET 13 OF 13


Tiptaptap OÜ
 Veetorni 9,
 Jüri alevik, Rae vald,
 75301 Harjumaa