

A

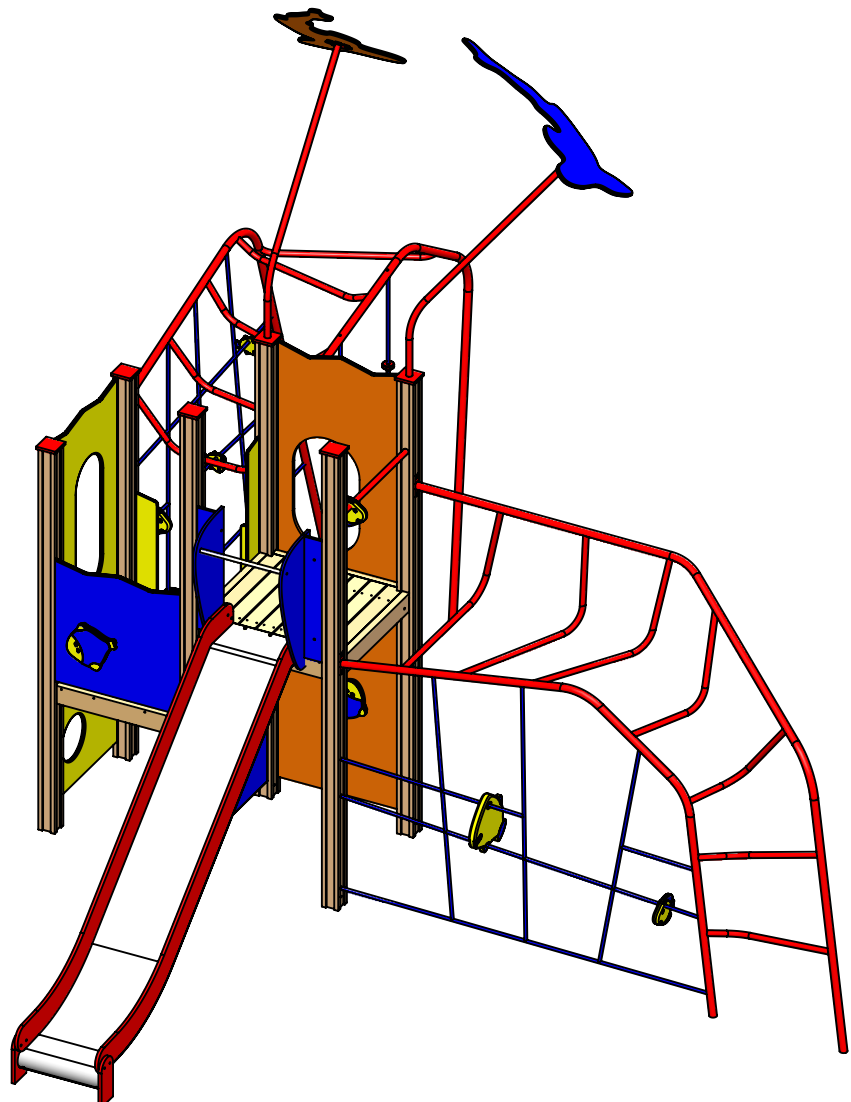
B

C

D

E

F



UNLESS OTHERWISE SPECIFIED:
 DIMENSIONS ARE IN MILLIMETERS
 WEIGHT ARE IN KILOGRAMM

PART NUMBER / DWG NO.:

NW102

	NAME	SIGNATURE	DATE	REVISION
DRAWN	Erkki Sarv		27.03.2012	
APP'VD				

DESCRIPTION:

NATURE WORLD



Tiptaptap OÜ

Tiptaptap OÜ
 Veetorni 9,
 Jüri alevik, Rae vald,
 75301 Harjumaa

MATERIAL:

wood, metal, plastic

A4

WEIGHT:

SCALE: 1:40

SHEET 1 OF 7

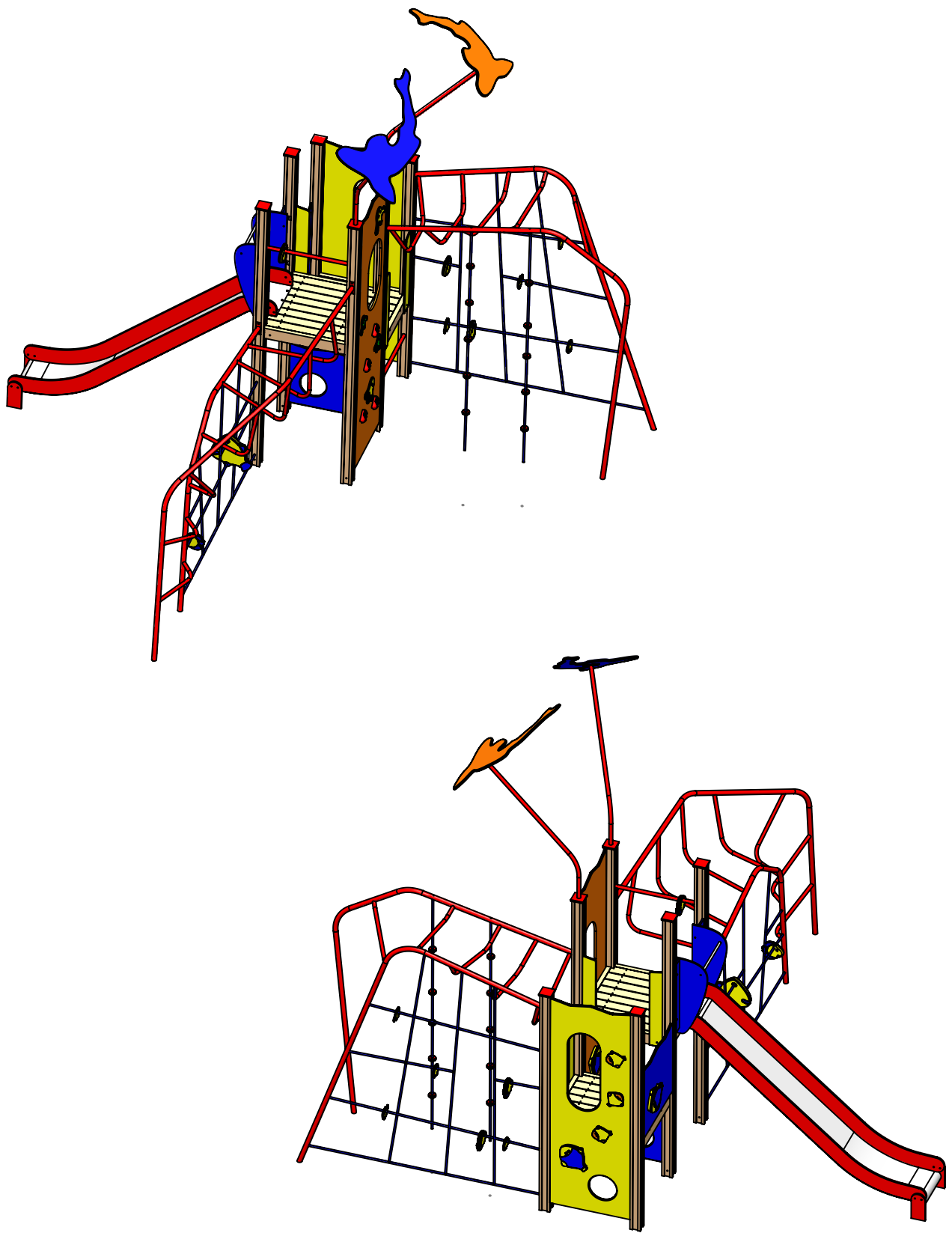
A

B

C

D

E



UNLESS OTHERWISE SPECIFIED:
 DIMENSIONS ARE IN MILLIMETERS
 WEIGHT ARE IN KILOGRAMM

	NAME	SIGNATURE	DATE	REVISION
DRAWN	Erkki Sarv		27.03.2012	
APP'VD				

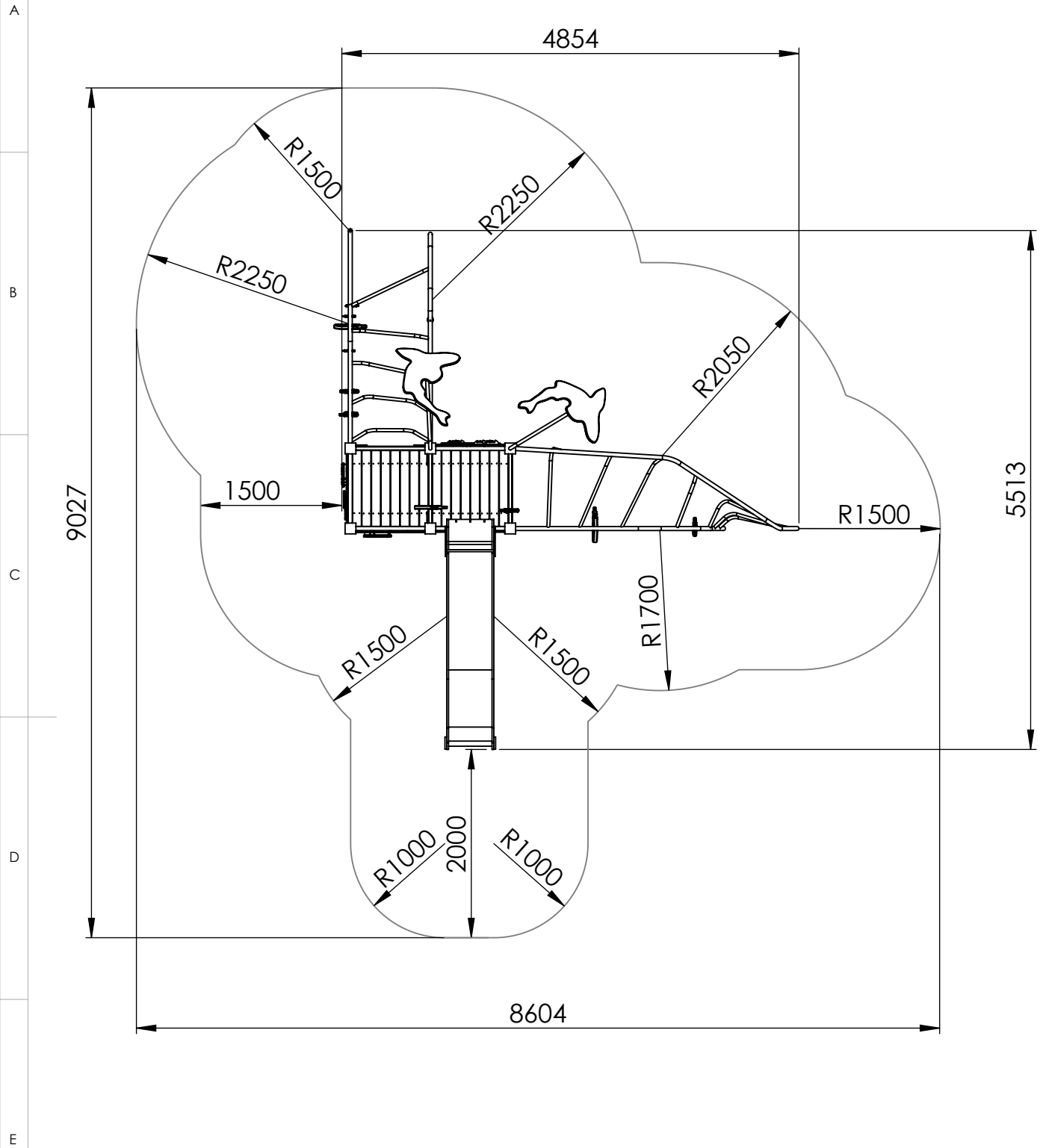
PART NUMBER / DWG NO.:
 NW102

DESCRIPTION:
 NATURE WORLD

 **Tiptaptap** OÜ
 Veetorni 9,
 Jüri alevik, Rae vald,
 75301 Harjumaa

MATERIAL:	wood, metal, plastic	A4
WEIGHT:		SCALE: 1:100
		SHEET 2 OF 7

safety area



UNLESS OTHERWISE SPECIFIED:
DIMENSIONS ARE IN MILLIMETERS
WEIGHT ARE IN KILOGRAMM

PART NUMBER / DWG NO.:

NW102

	NAME	SIGNATURE	DATE	REVISION
DRAWN	Erkki Sarv		27.03.2012	
APPV'D				

DESCRIPTION:

NATURE WORLD
safety area



Tiptiptap OÜ

Tiptiptap OÜ
Veetorni 9,
Jüri alevik, Rae vald,
75301 Harjumaa

MATERIAL:

wood, metal, plastic

A4

WEIGHT:

SCALE: 1:60

SHEET 3 OF 7

foundation

A

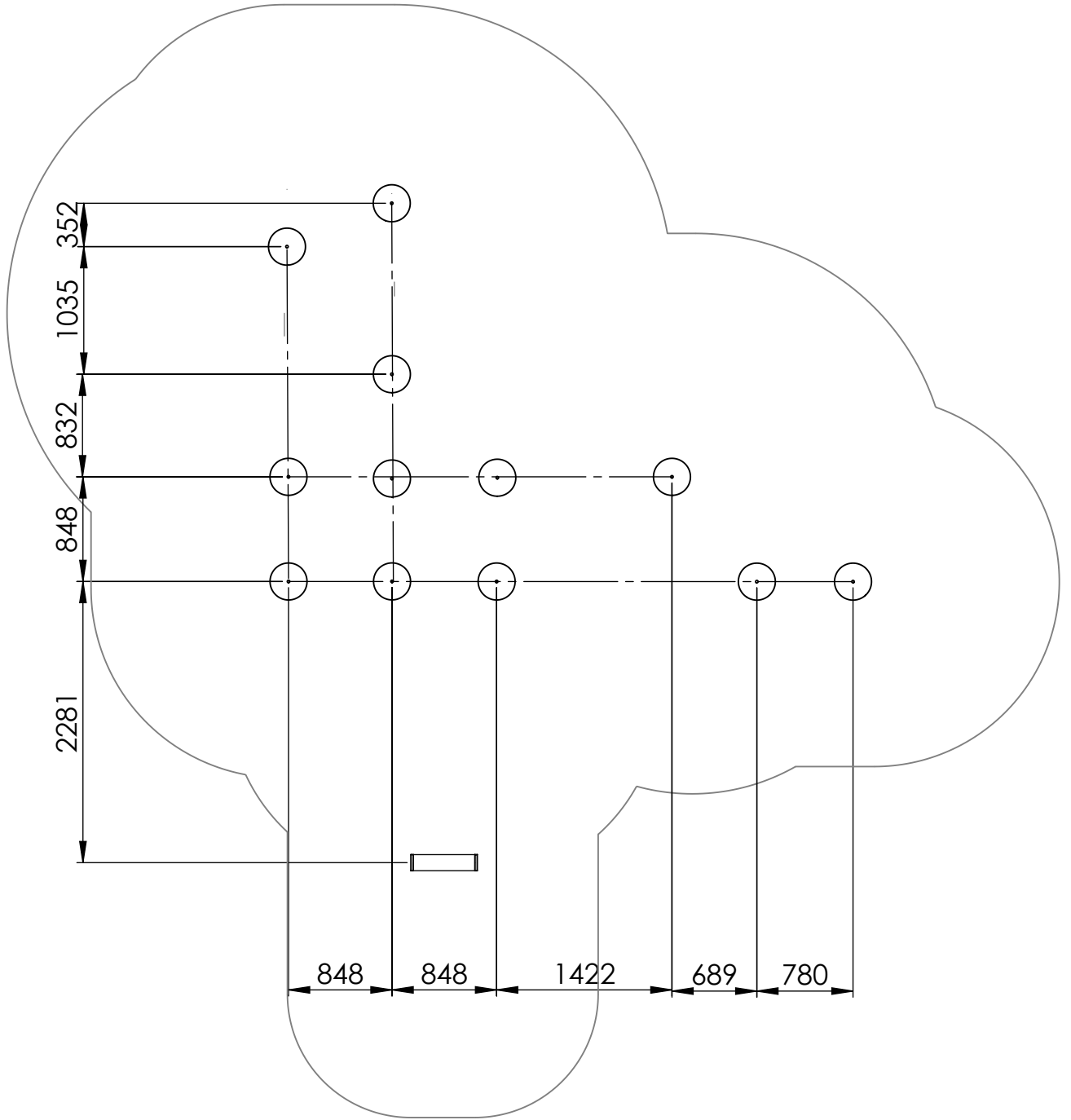
B

C

D

E

F



depth of foundation 450mm

UNLESS OTHERWISE SPECIFIED:
DIMENSIONS ARE IN MILLIMETERS
WEIGHT ARE IN KILOGRAMM

PART NUMBER / DWG NO.:

NW102

	NAME	SIGNATURE	DATE	REVISION
DRAWN	Erkki Sarv		27.03.2012	
APPV'D				

DESCRIPTION:

NATURE WORLD
foundation

MATERIAL:

wood, metal, plastic

A4

WEIGHT:

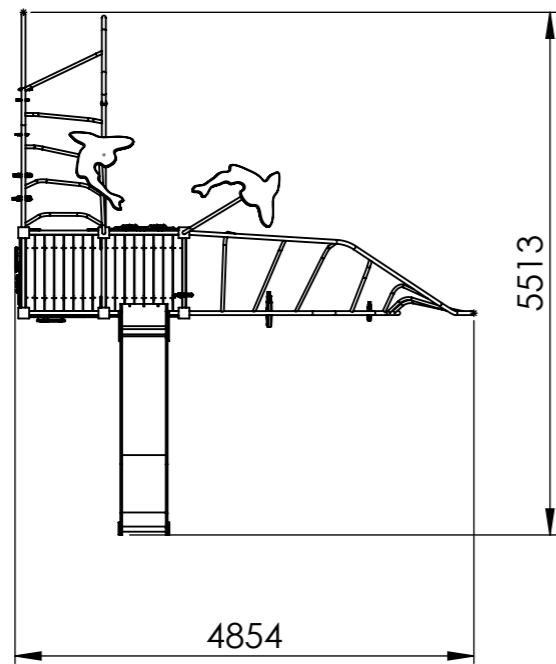
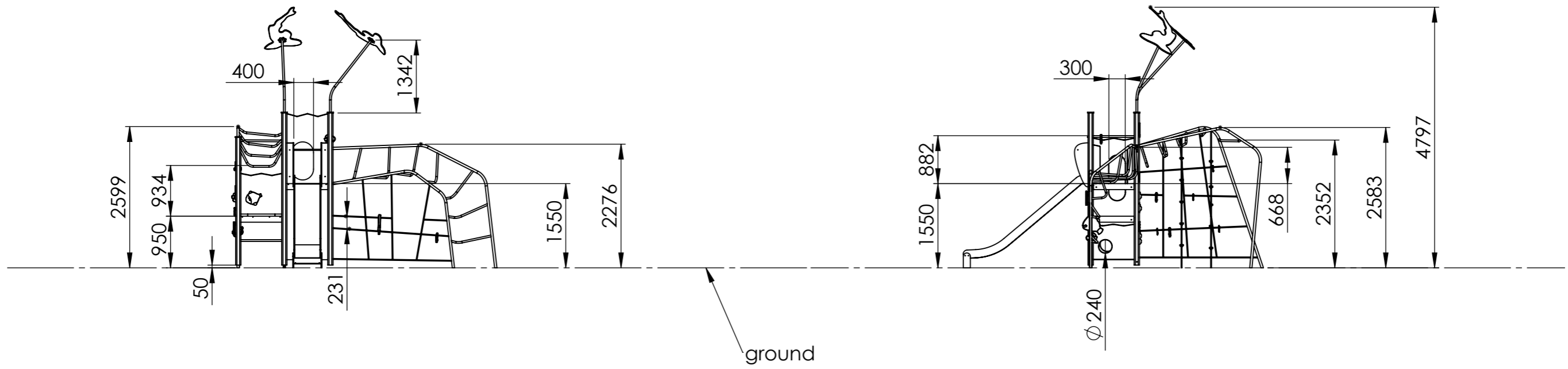
SCALE: 1:100

SHEET 4 OF 7



Tiptaptap OÜ

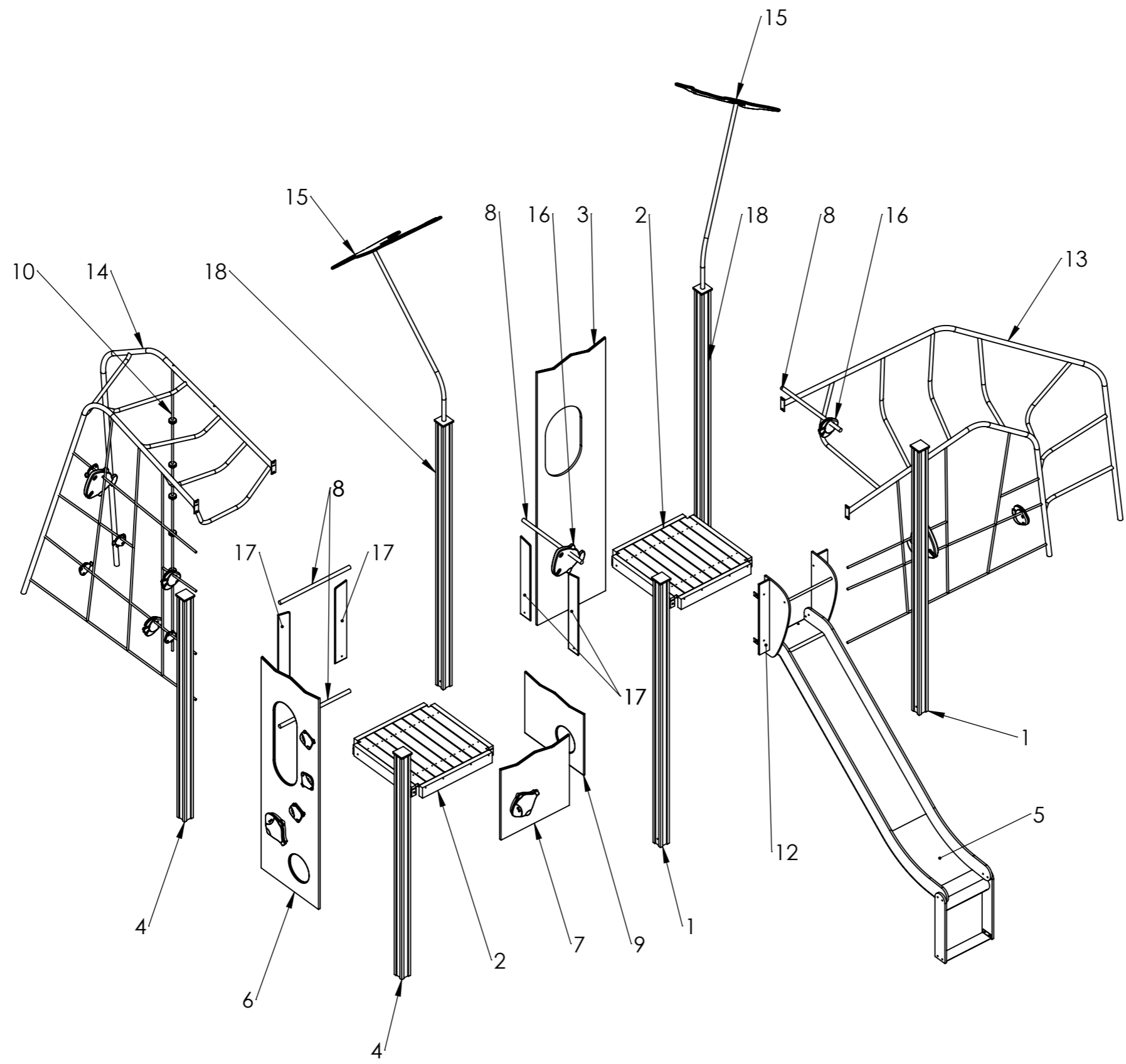
Tiptaptap OÜ
Veetorni 9,
Jüri alevik, Rae vald,
75301 Harjumaa




UNLESS OTHERWISE SPECIFIED: DIMENSIONS ARE IN MILLIMETERS WEIGHT ARE IN KILOGRAMM				PART NUMBER / DWG NO.:	
				NW102	
	NAME	SIGNATURE	DATE	REVISION	
DRAWN	Erkki Sarv		27.03.2012		
APPV'D					
				DESCRIPTION:	
				NATURE WORLD	
				MATERIAL:	A4
				wood, metal, plastic	
				WEIGHT:	SHEET 5 OF 7
				SCALE: 1:80	




Tiptaptap OÜ
 Veetorni 9,
 Jüri alevik, Rae vald,
 75301 Harjumaa



UNLESS OTHERWISE SPECIFIED: DIMENSIONS ARE IN MILLIMETERS WEIGHT ARE IN KILOGRAMM				PART NUMBER / DWG NO.: NW102	
	NAME	SIGNATURE	DATE	REVISION	
DRAWN	Erkki Sarv		27.03.2012		
APPV'D					
 Tiptap OÜ Tiptap OÜ Veetorni 9, Jüri alevik, Rae vald, 75301 Harjumaa				DESCRIPTION: NATURE WORLD	
				MATERIAL:	wood, metal, plastic
WEIGHT:				SCALE: 1:40	SHEET 6 OF 7

ITEM NO.	PART NUMBER	DESCRIPTION	exploded/ QTY.
1	post 98x98x2800 with top cover	laminated wood, PE plastic	2
2	Platform	laminated wood	2
3	climbing wall h-2680 with climbing elements (A)	plywood, PE plastic	1
4	post 98x98x2350 with top cover	laminated wood, PE plastic	2
5	slide h_1550	stainless steel, PE plastic	1
6	climbing wall h-2230 with climbing elements (B)	plywood	1
7	panel 750x750	plywood	1
8	guardrail ϕ 25x770	painted steel	4
9	panel 750x600	plywood	1
10	climbing rope ϕ 16 with climbing knots	PP covered steel wire, PE plastic	2
12	slide guard block	plywood, stainless steel	1
13	climbing ladder with rope net and decorative elements (A)	painted galvanized steel, 16mm PP covered steel wire and PE plastic	1
14	climbing ladder with rope net and decorative elements (A)	painted galvanized steel, 16mm PP covered steel wire and PE plastic	1
15	Decorativ turtle	PE plastic	2
16	Decorativ Fish	PE plastic	9
17	panel 750x125	plywood	4
18	post 98x98x2800 with top covers and hole for decorative detail	laminated wood, PE plastic	2

D	
E	

UNLESS OTHERWISE SPECIFIED: DIMENSIONS ARE IN MILLIMETERS WEIGHT ARE IN KILOGRAMM				PART NUMBER / DWG NO.: NW102		
	NAME	SIGNATURE	DATE	REVISION	DESCRIPTION: NATURE WORLD	
DRAWN	Erkki Sarv		27.03.2012			
APPV'D						
F	 Tiptiptap OÜ Veetorni 9, Jüri alevik, Rae vald, 75301 Harjumaa				MATERIAL: wood, metal, plastic	A4
				WEIGHT:	SCALE: 1:60	SHEET 7 OF 7