

UNLESS OTHERWISE SPECIFIED:  
DIMENSIONS ARE IN MILLIMETERS  
WEIGHT ARE IN KILOGRAMM

PART NUMBER / DWG NO.:

K001

	NAME	SIGNATURE	DATE	REVISION
DRAWN	M.Rebase		31.07.2012	
APPV'D				

DESCRIPTION:

Swing construction BABY BIRD



**Tiptaptap** OÜ

Tiptaptap OÜ  
Veetorni 9,  
Jüri alevik, Rae vald,  
75301 Harjumaa

MATERIAL:

wood, metal, plastic

A4

WEIGHT:

SCALE: 1:30

SHEET 1 OF 9

# safety area

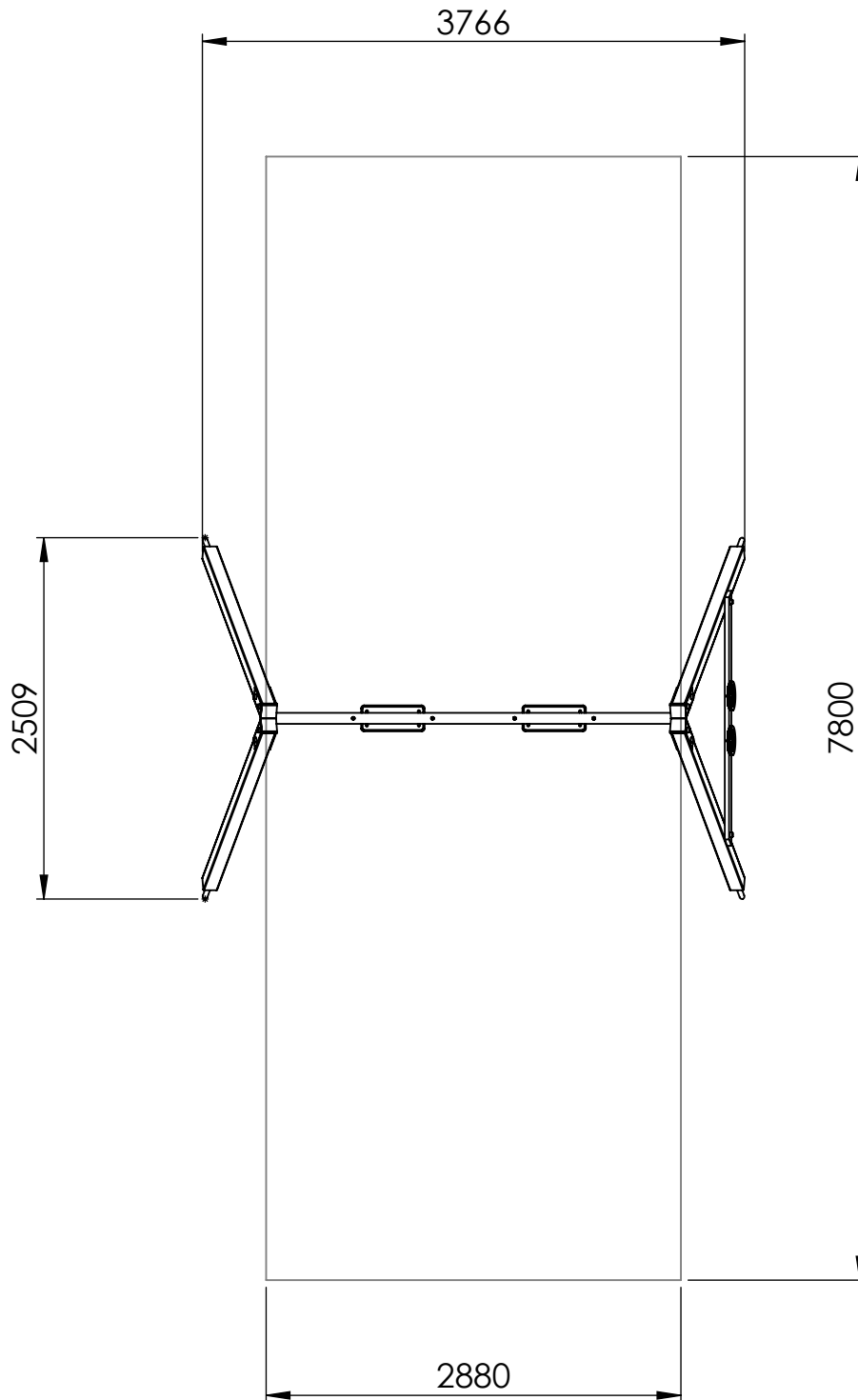
A

B

C

D

E



UNLESS OTHERWISE SPECIFIED:  
DIMENSIONS ARE IN MILLIMETERS  
WEIGHT ARE IN KILOGRAMM

PART NUMBER / DWG NO.:

K001

	NAME	SIGNATURE	DATE	REVISION
DRAWN	M.Rebase		31.07.2012	
APPV'D				

DESCRIPTION:

Swing construction BABY BIRD

F



**Tiptaptap** OÜ

Tiptaptap OÜ  
Veetorni 9,  
Jüri alevik, Rae vald,  
75301 Harjumaa

MATERIAL:

wood, metal, plastic

A4

WEIGHT:

SCALE: 1:50

SHEET 2 OF 9

# foundation

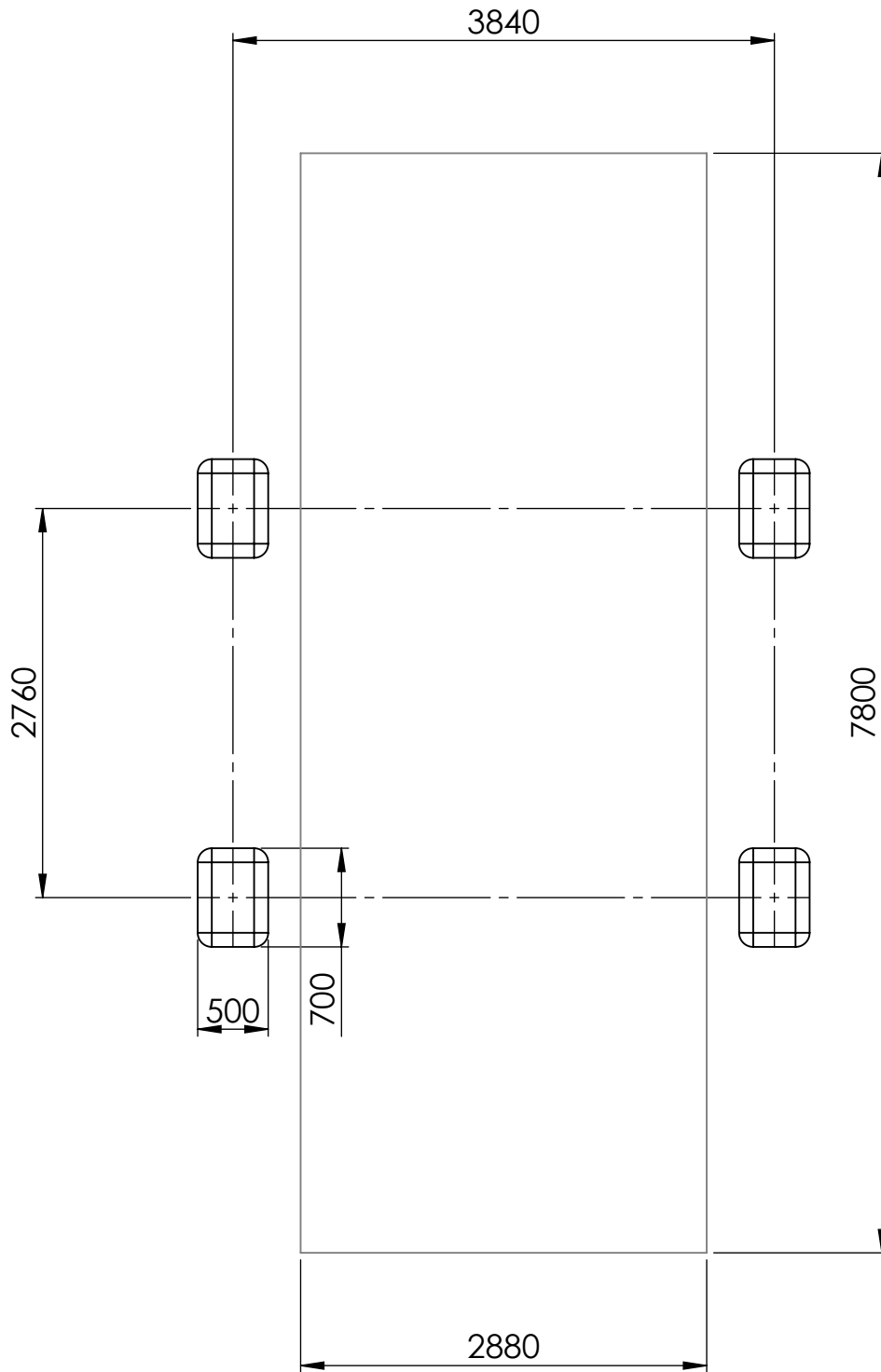
A

B

C

D

E



UNLESS OTHERWISE SPECIFIED:  
DIMENSIONS ARE IN MILLIMETERS  
WEIGHT ARE IN KILOGRAMM

PART NUMBER / DWG NO.:

K001

	NAME	SIGNATURE	DATE	REVISION
DRAWN	M.Rebase		31.07.2012	
APPV'D				

DESCRIPTION:

Swing construction BABY BIRD



**Tiptaptap** OÜ

Tiptaptap OÜ  
Veetorni 9,  
Jüri alevik, Rae vald,  
75301 Harjumaa

MATERIAL:

wood, metal, plastic

A4

WEIGHT:

SCALE: 1:50

SHEET 3 OF 9

F

A

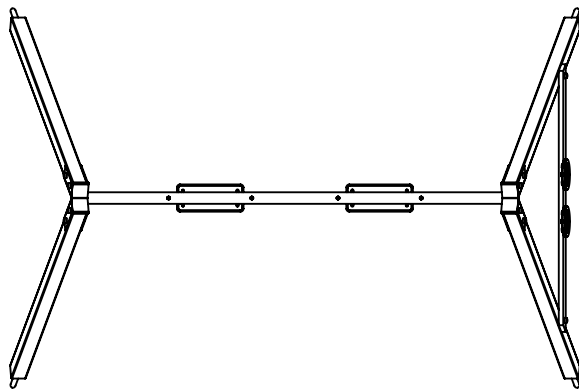
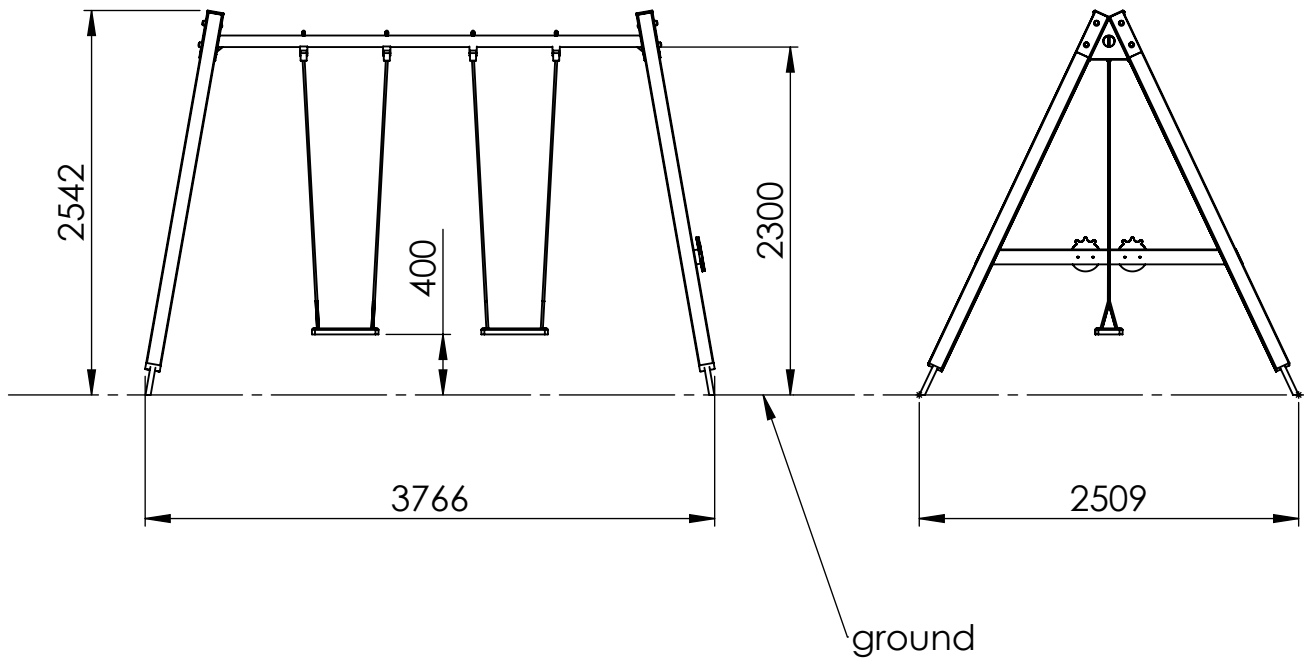
B

C

D

E

F



UNLESS OTHERWISE SPECIFIED:  
DIMENSIONS ARE IN MILLIMETERS  
WEIGHT ARE IN KILOGRAMM

PART NUMBER / DWG NO.:

K001

	NAME	SIGNATURE	DATE	REVISION
DRAWN	M.Rebase		31.07.2012	
APPV'D				

DESCRIPTION:

Swing construction BABY BIRD



**Tiptaptap** OÜ

Tiptaptap OÜ  
Veetorni 9,  
Jüri alevik, Rae vald,  
75301 Harjumaa

MATERIAL:

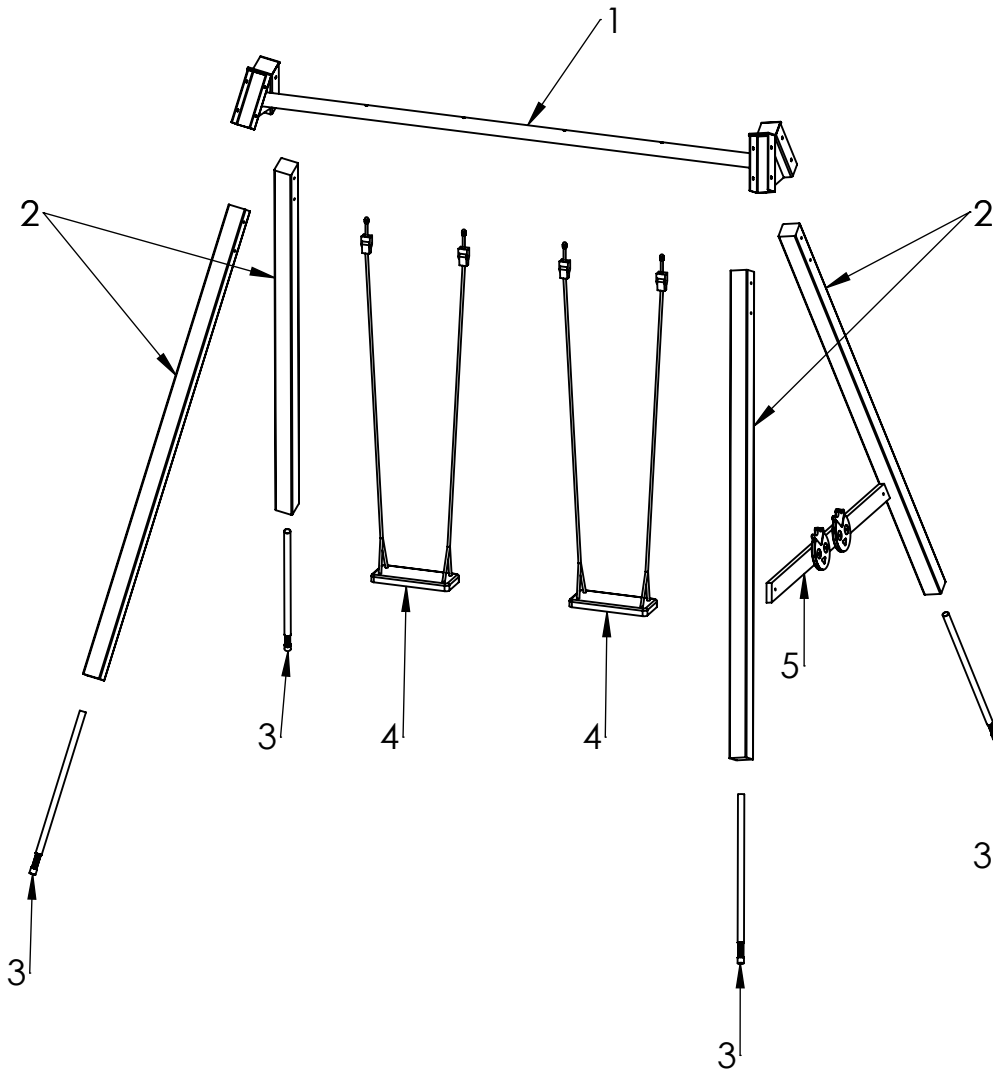
wood, metal, plastic

A4

WEIGHT:

SCALE: 1:50

SHEET 4 OF 9



ITEM NO.	PART NUMBER	DESCRIPTION	QTY.
1	beam 76x3050	galvanized painted steel	1
2	post 98x98x2600	laminated wood	4
3	metal ground fixing L_900	galvanized steel	4
4	seat complect with fittings	rubber compound with aluminium insert	2
5	board 30x120x1770	laminated wood	1

UNLESS OTHERWISE SPECIFIED: DIMENSIONS ARE IN MILLIMETERS WEIGHT ARE IN KILOGRAMM				
	NAME	SIGNATURE	DATE	REVISION
DRAWN	M.Rebase		31.07.2012	
APPV'D				

PART NUMBER / DWG NO.:	K001
DESCRIPTION:	Swing construction BABY BIRD


**Tiptaptap** OÜ  
 Veetorni 9,  
 Jüri alevik, Rae vald,  
 75301 Harjumaa

MATERIAL:	wood, metal, plastic	A4
WEIGHT:	SCALE: 1:40	SHEET 5 OF 9

A

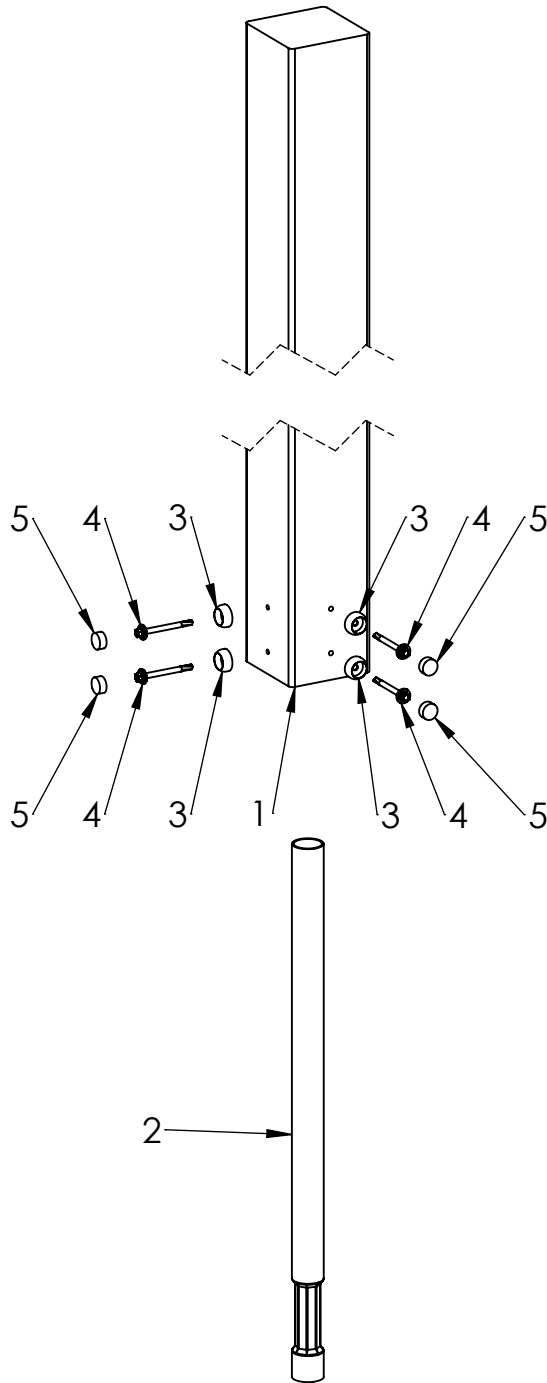
B

C

D

E

F



ITEM NO.	PART NUMBER
1	post 98x98x2100
2	metal ground fixing L_900
3	nut cover M6
4	screw DIN7504K 5,5x68
5	nut cover cap M6

UNLESS OTHERWISE SPECIFIED:  
DIMENSIONS ARE IN MILLIMETERS  
WEIGHT ARE IN KILOGRAMM

PART NUMBER / DWG NO.:

K001

	NAME	SIGNATURE	DATE	REVISION
DRAWN	M.Rebase		31.07.2012	
APPV'D				

DESCRIPTION:

Swing construction BABY BIRD  
connecting metal ground fixing to post



**Tiptiptap** OÜ

Tiptiptap OÜ  
Veetorni 9,  
Jüri alevik, Rae vald,  
75301 Harjumaa

MATERIAL:

wood, metal, plastic

A4

WEIGHT:

SCALE: 1:8

SHEET 6 OF 9

1

2

3

4

A

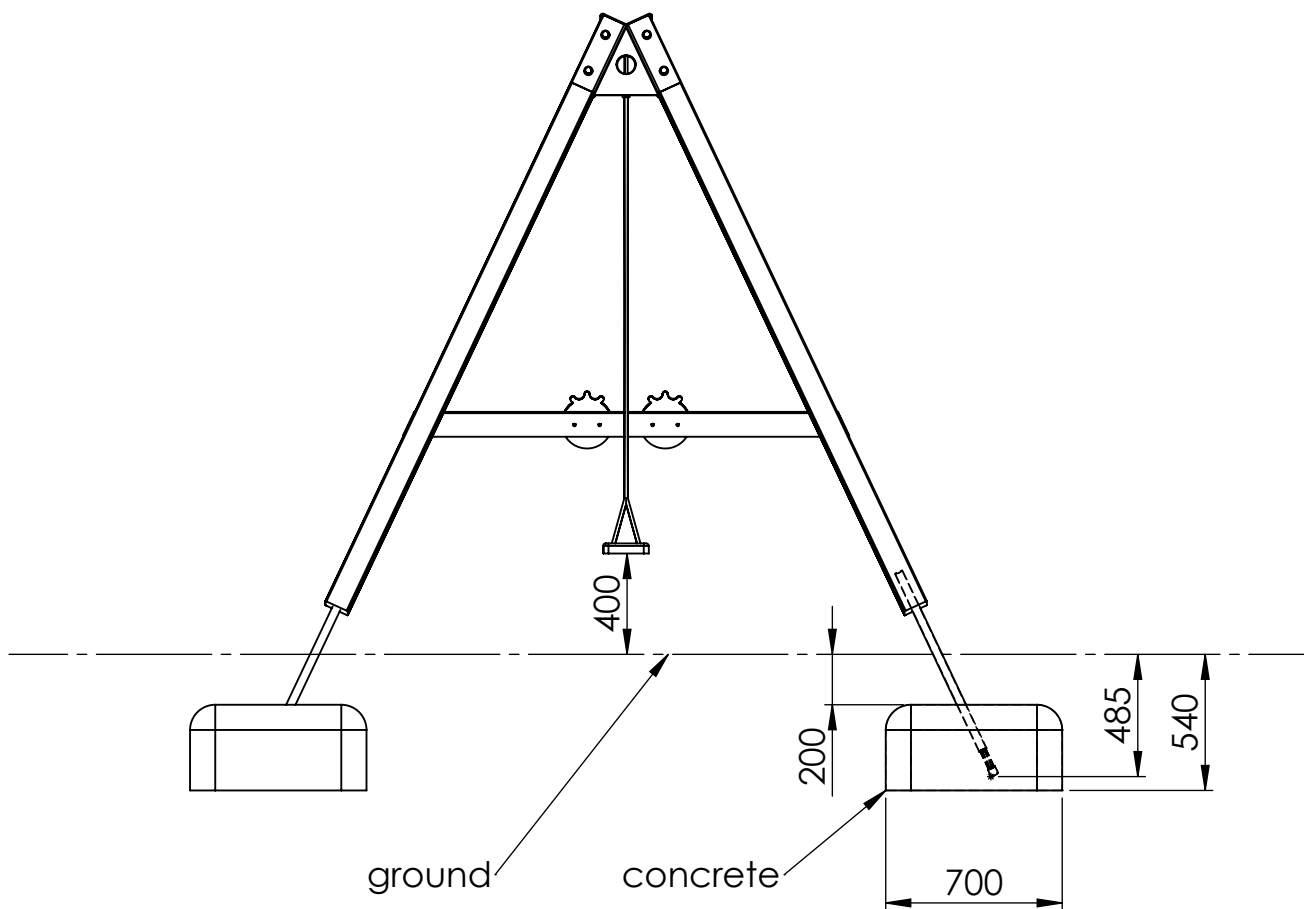
B

C

D

E

F



ground

concrete

UNLESS OTHERWISE SPECIFIED:  
DIMENSIONS ARE IN MILLIMETERS  
WEIGHT ARE IN KILOGRAMM

PART NUMBER / DWG NO.:

K001

	NAME	SIGNATURE	DATE	REVISION
DRAWN	M.Rebase		31.07.2012	
APPV'D				

DESCRIPTION:

Swing construction BABY BIRD



**Tiptaptap** OÜ

Tiptaptap OÜ  
Veetorni 9,  
Jüri alevik, Rae vald,  
75301 Harjumaa

MATERIAL:

wood, metal, plastic

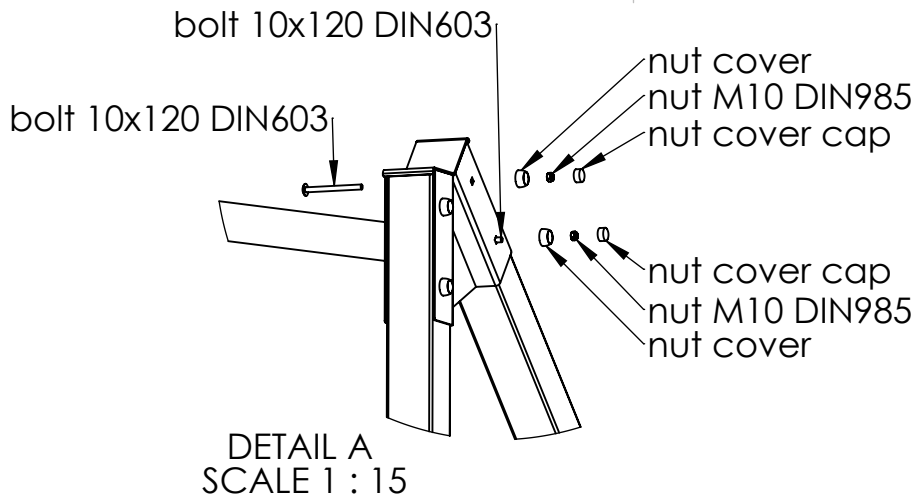
A4

WEIGHT:

SCALE: 1:30

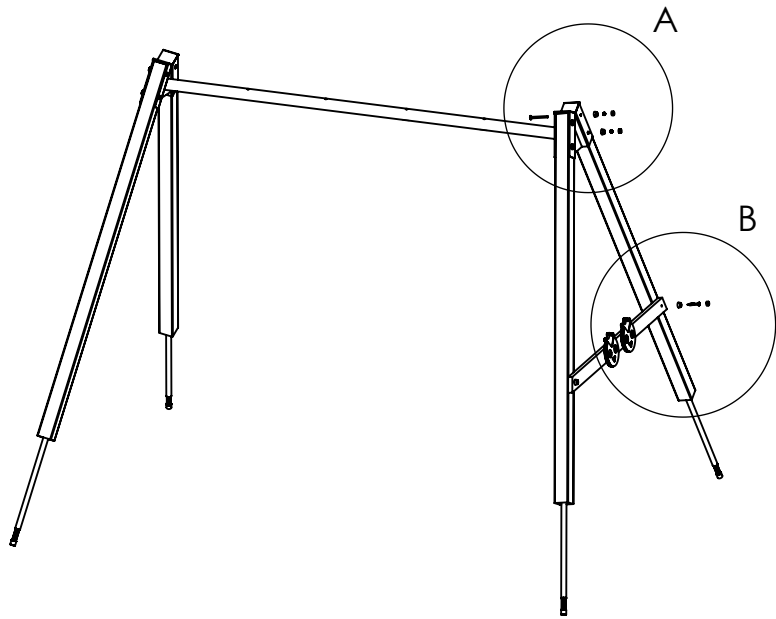
SHEET 7 OF 9

A

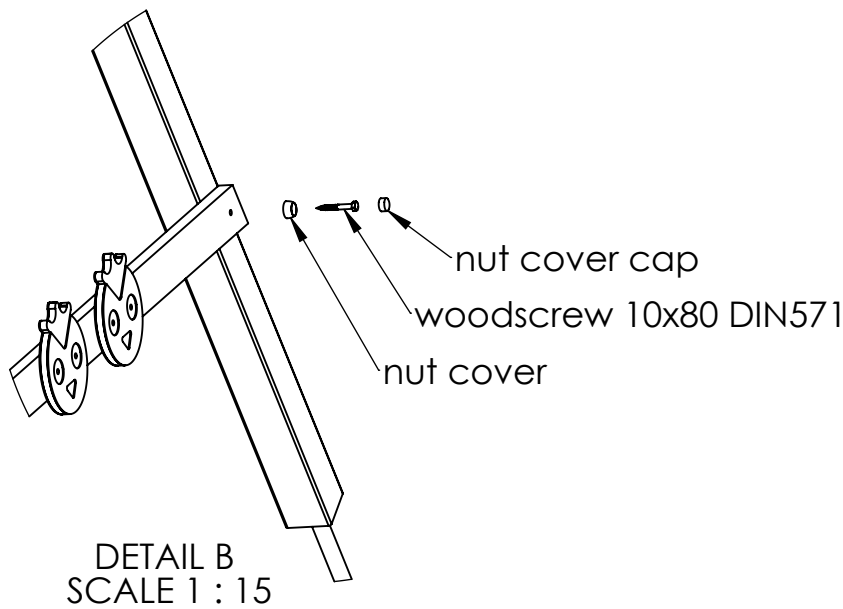


B

C



D



E

F

UNLESS OTHERWISE SPECIFIED:  
DIMENSIONS ARE IN MILLIMETERS  
WEIGHT ARE IN KILOGRAMM

PART NUMBER / DWG NO.:

K001

	NAME	SIGNATURE	DATE	REVISION
DRAWN	M.Rebase		31.07.2012	
APPV'D				

DESCRIPTION:

Swing construction BABY BIRD



**Tiptap** OÜ

Tiptap OÜ  
Veetorni 9,  
Jüri alevik, Rae vald,  
75301 Harjumaa

MATERIAL:

wood, metal, plastic

A4

WEIGHT:

SCALE: 1:50

SHEET 8 OF 9



A

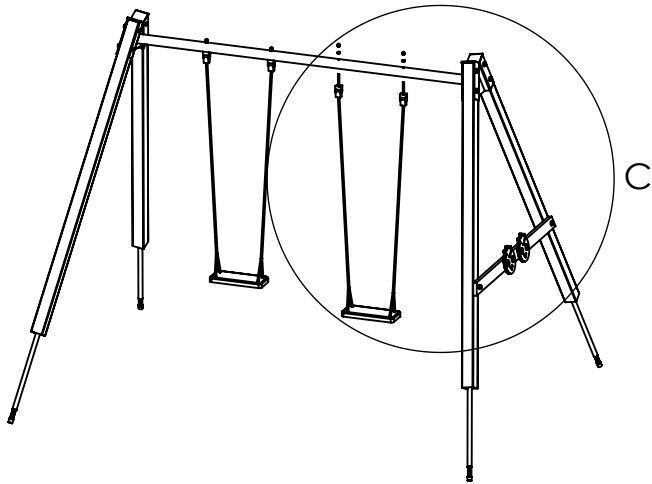
B

C

D

E

F

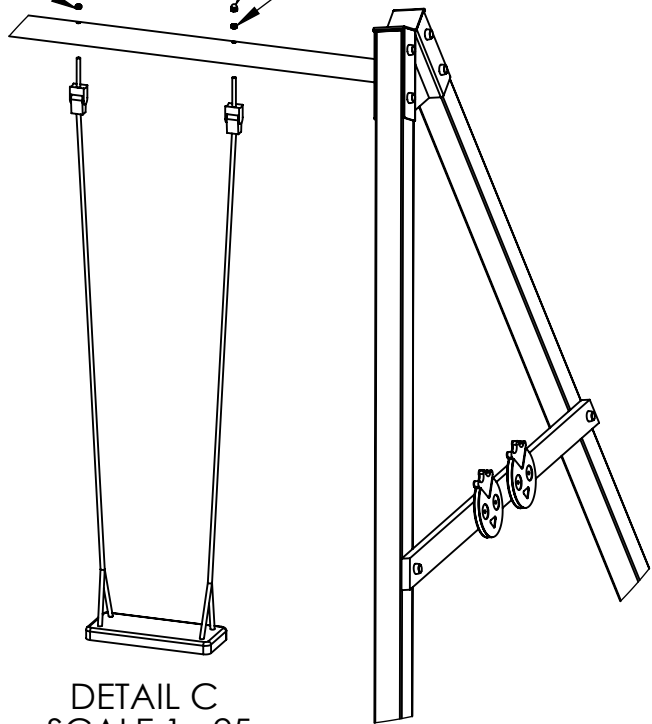


domed cap nut M12 DIN 1587

nut M12 DIN985

domed cap nut M12 DIN1587

nut M12 DIN985



DETAIL C  
SCALE 1 : 25

UNLESS OTHERWISE SPECIFIED:  
DIMENSIONS ARE IN MILLIMETERS  
WEIGHT ARE IN KILOGRAMM

PART NUMBER / DWG NO.:

K001

	NAME	SIGNATURE	DATE	REVISION
DRAWN	M.Rebase		31.07.2012	
APPV'D				

DESCRIPTION:

Swing construction BABY BIRD



**Tiptap** OÜ

Tiptap OÜ  
Veetorni 9,  
Jüri alevik, Rae vald,  
75301 Harjumaa

MATERIAL:

wood, metal, plastic

A4

WEIGHT:

SCALE: 1:60

SHEET 9 OF 9