

A

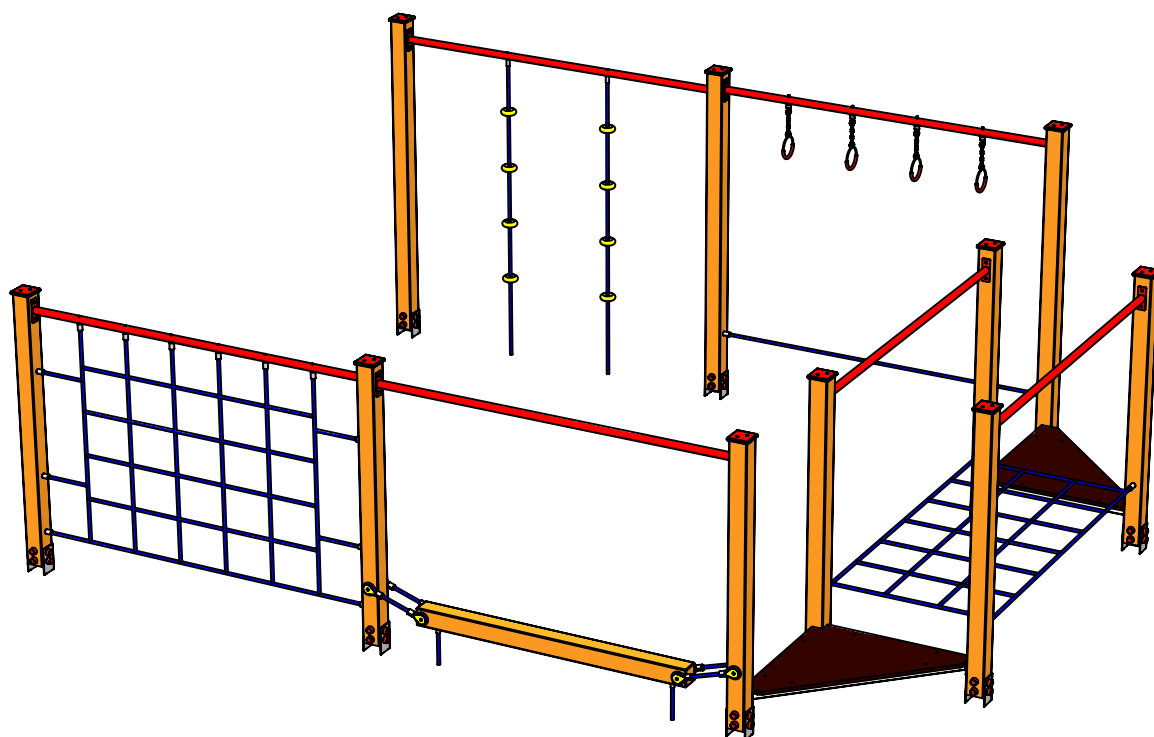
B

C

D

E

F



UNLESS OTHERWISE SPECIFIED:
DIMENSIONS ARE IN MILLIMETERS
WEIGHT ARE IN KILOGRAMM

PART NUMBER / DWG NO.:

TKR001-1

	NAME	SIGNATURE	DATE	REVISION
DRAWN	M.Rebase		20.11.2017	
APPV'D				

DESCRIPTION:

Balance track 1



Tiptaptap OÜ

Tiptaptap OÜ
Veetorni 9,
Jüri alevik, Rae vald,
75301 Harjumaa

MATERIAL:

wood, metal, plastic

A4

WEIGHT:

SCALE: 1:35

SHEET 1 OF 13

safety area

A

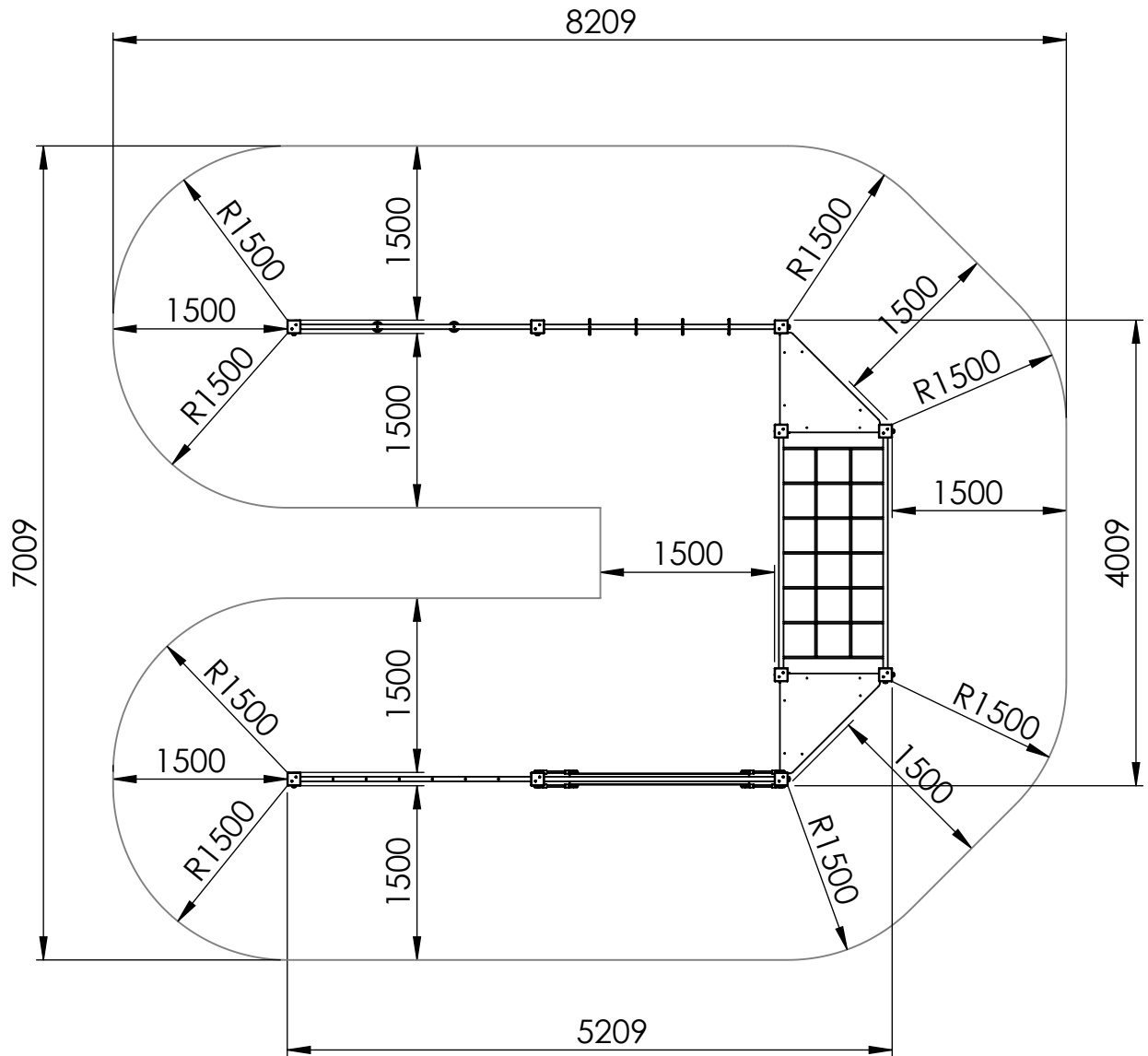
B

C

D

E

F



UNLESS OTHERWISE SPECIFIED:
DIMENSIONS ARE IN MILLIMETERS
WEIGHT ARE IN KILOGRAMM

PART NUMBER / DWG NO.:

TKR001-1

	NAME	SIGNATURE	DATE	REVISION
DRAWN	M.Rebase		20.11.2017	
APPV'D				

DESCRIPTION:

Balance track 1



Tiptaptap OÜ

Tiptaptap OÜ
Veetorni 9,
Jüri alevik, Rae vald,
75301 Harjumaa

MATERIAL:

wood, metal, plastic

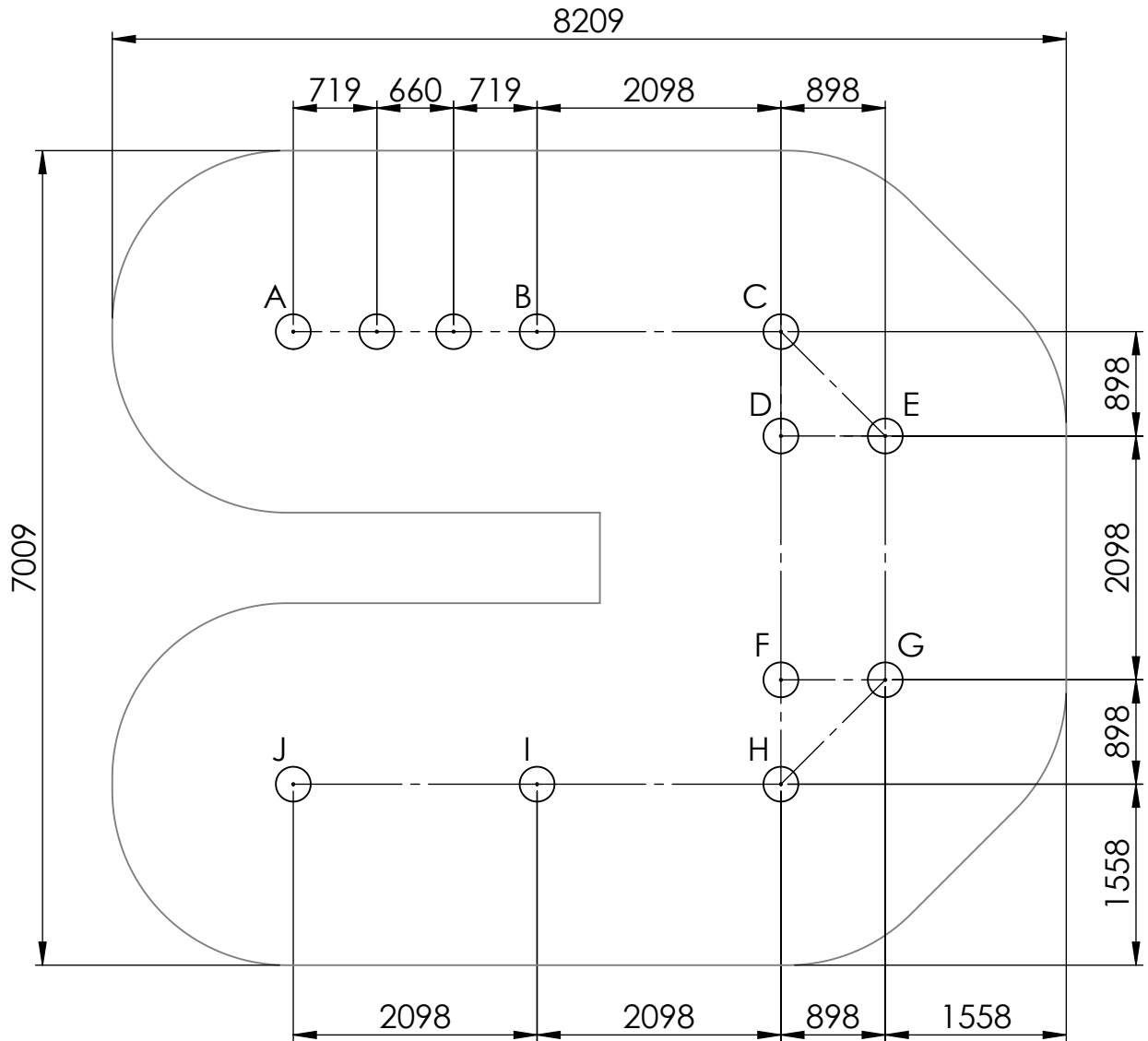
A4

WEIGHT:

SCALE: 1:60

SHEET 2 OF 13

foundation



UNLESS OTHERWISE SPECIFIED:
DIMENSIONS ARE IN MILLIMETERS
WEIGHT ARE IN KILOGRAMM

PART NUMBER / DWG NO.:

TKR001-1

	NAME	SIGNATURE	DATE	REVISION
DRAWN	M.Rebase		20.11.2017	
APPV'D				

DESCRIPTION:

Balance track 1



Tiptiptap OÜ

Tiptiptap OÜ
Veetorni 9,
Jüri alevik, Rae vald,
75301 Harjumaa

MATERIAL:

wood, metal, plastic

A4

WEIGHT:

SCALE: 1:60

SHEET 3 OF 13

A

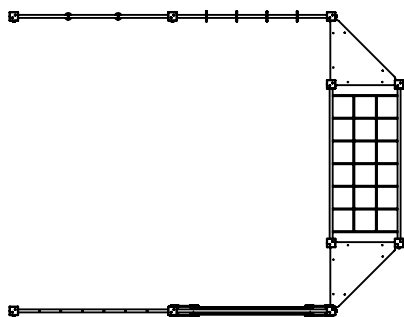
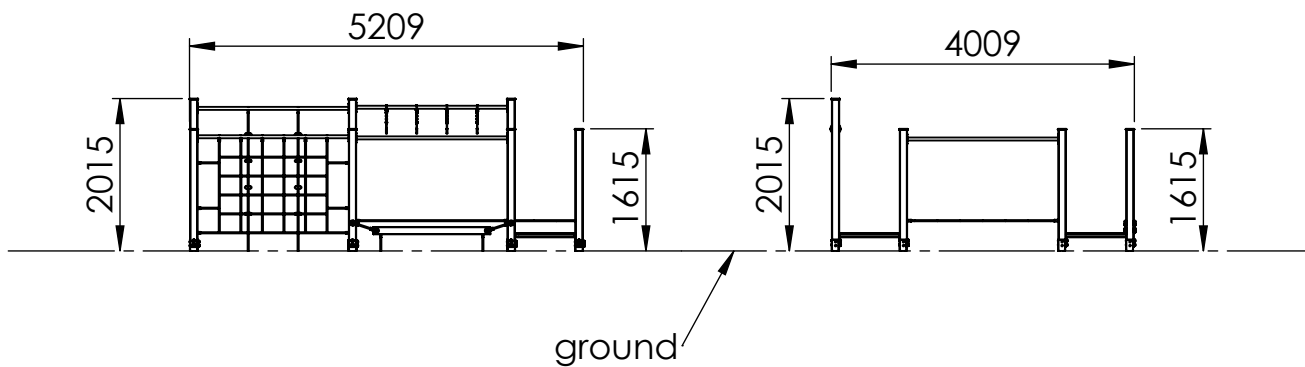
B

C

D

E

F



UNLESS OTHERWISE SPECIFIED:
DIMENSIONS ARE IN MILLIMETERS
WEIGHT ARE IN KILOGRAMM

PART NUMBER / DWG NO.:

TKR001-1

	NAME	SIGNATURE	DATE	REVISION
DRAWN	M.Rebase		20.11.2017	
APPV'D				

DESCRIPTION:

Balance track 1



Tiptiptap OÜ

Tiptiptap OÜ
Veetorni 9,
Jüri alevik, Rae vald,
75301 Harjumaa

MATERIAL:

wood, metal, plastic

A4

WEIGHT:

SCALE: 1:100

SHEET 4 OF 13

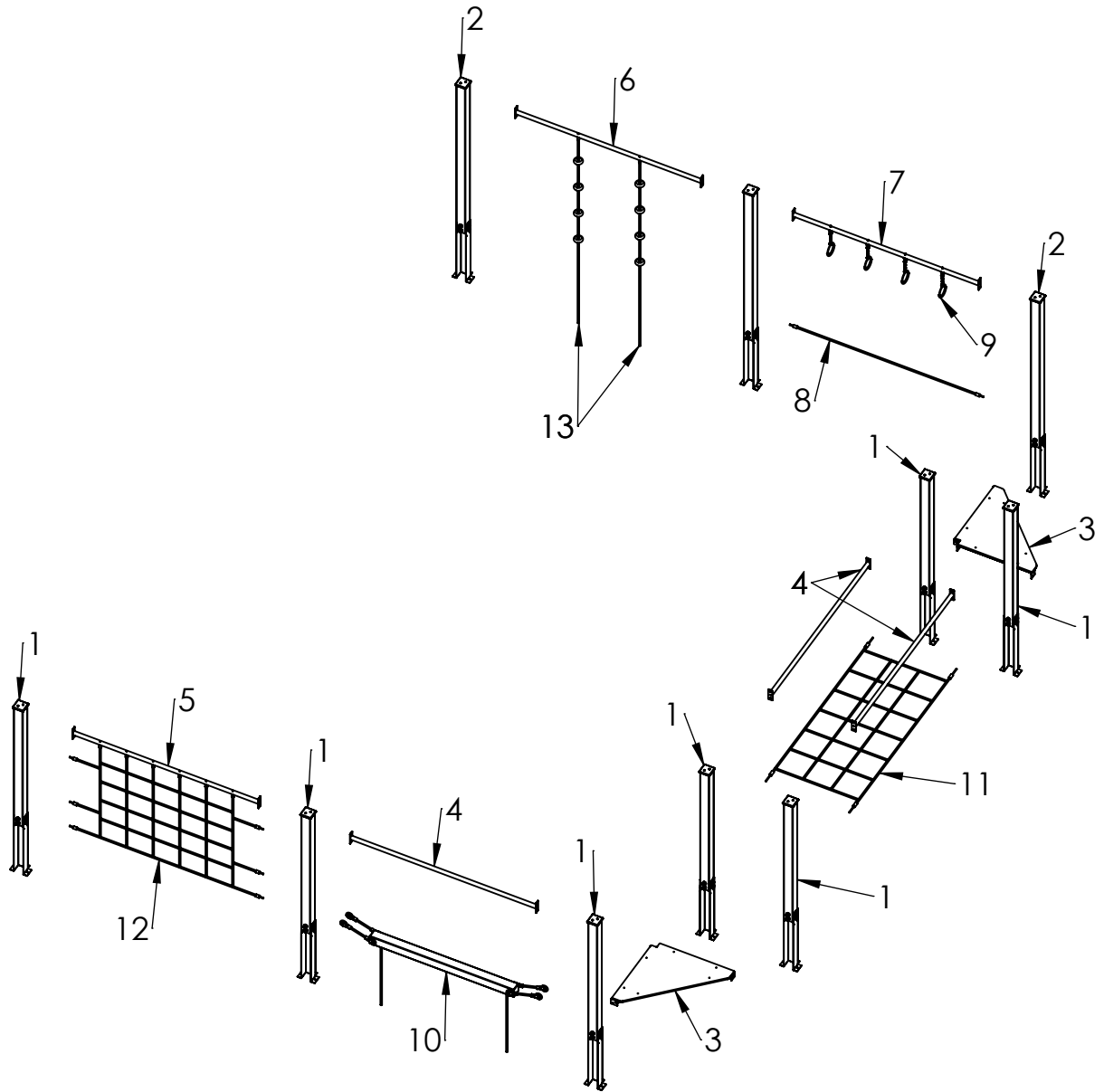
A

B

C

D

E



UNLESS OTHERWISE SPECIFIED:
 DIMENSIONS ARE IN MILLIMETERS
 WEIGHT ARE IN KILOGRAMM

PART NUMBER / DWG NO.:

TKR001-1

	NAME	SIGNATURE	DATE	REVISION
DRAWN	M.Rebase		20.11.2017	
APPV'D				

DESCRIPTION:

Balance track 1



Tiptiptap OÜ

Tiptiptap OÜ
 Veetorni 9,
 Jüri alevik, Rae vald,
 75301 Harjumaa

MATERIAL:

wood, metal, plastic

A4

WEIGHT:


SCALE: 1:65

SHEET 5 OF 13

F

ITEM NO.	PART NUMBER	DESCRIPTION	QTY.
1	post 98x98x1550	laminated wood	7
2	post 98x98x1950	laminated wood	3
3	triangle platform	plywood, metal	2
4	beam 40x2000	painted steel	3
5	beam 40x2000, 6 holes	painted steel	1
6	beam 40x2000, 2 holes	painted steel	1
7	beam 40x2000, 4 holes	painted steel	1
8	rope L-2000	PP covered steel wire	1
9	handle	metal	4
10	balancing beam	laminated wood	1
11	net 898x2000	PP covered steel wire	1
12	climbing net 1250x2000	PP covered steel wire	1
13	climbing rope	PP covered steel wire, plastic	2



UNLESS OTHERWISE SPECIFIED: DIMENSIONS ARE IN MILLIMETERS WEIGHT ARE IN KILOGRAMM				PART NUMBER / DWG NO.:		TKR001-1	
	NAME	SIGNATURE	DATE	REVISION		DESCRIPTION:	
DRAWN	M.Rebase		20.11.2017			Balance track 1	
APPV'D						MATERIAL:	
 Tiptiptap OÜ Tiptiptap OÜ Veetorni 9, Jüri alevik, Rae vald, 75301 Harjumaa				wood, metal, plastic		A4	
				WEIGHT:		SCALE: 1:65	
						SHEET 6 OF 13	

A

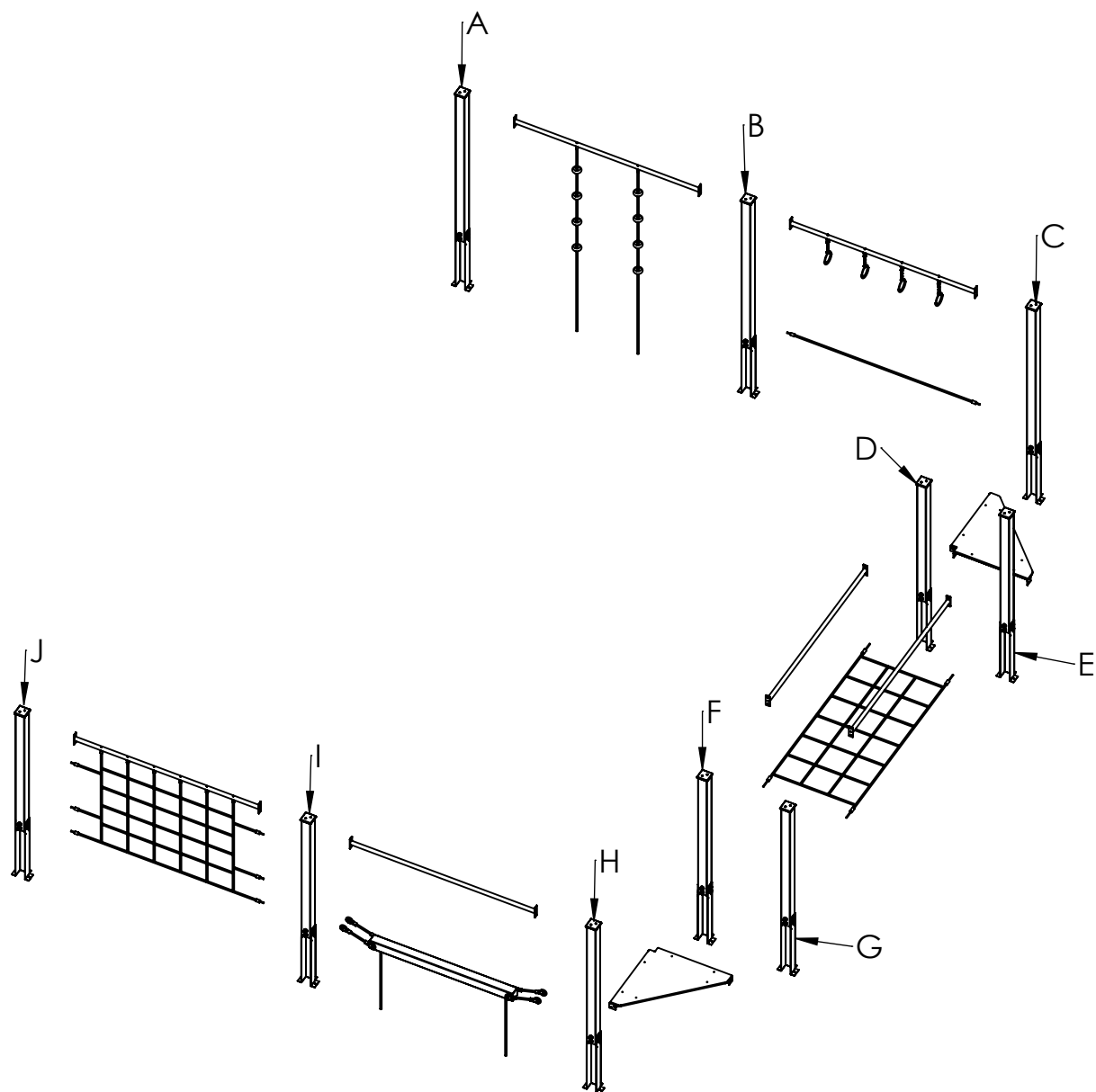
B

C

D

E

F



UNLESS OTHERWISE SPECIFIED:
DIMENSIONS ARE IN MILLIMETERS
WEIGHT ARE IN KILOGRAMM

PART NUMBER / DWG NO.:

TKR001-1

	NAME	SIGNATURE	DATE	REVISION
DRAWN	M.Rebase		20.11.2017	
APPV'D				

DESCRIPTION:

Balance track 1

MATERIAL:

wood, metal, plastic

A4

WEIGHT:

SCALE: 1:65

SHEET 7 OF 13



Tiptaptap OÜ

Tiptaptap OÜ
Veetorni 9,
Jüri alevik, Rae vald,
75301 Harjumaa

A

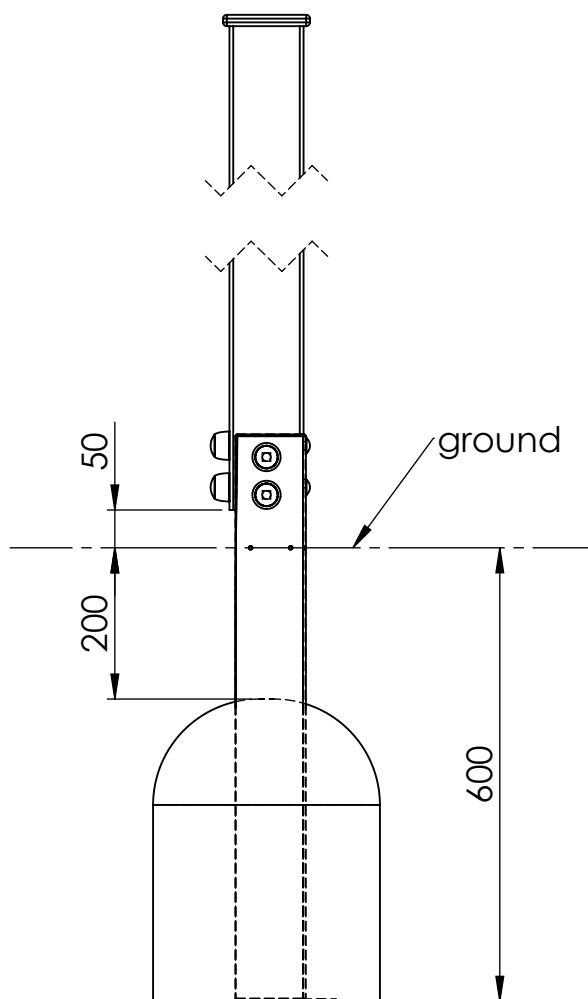
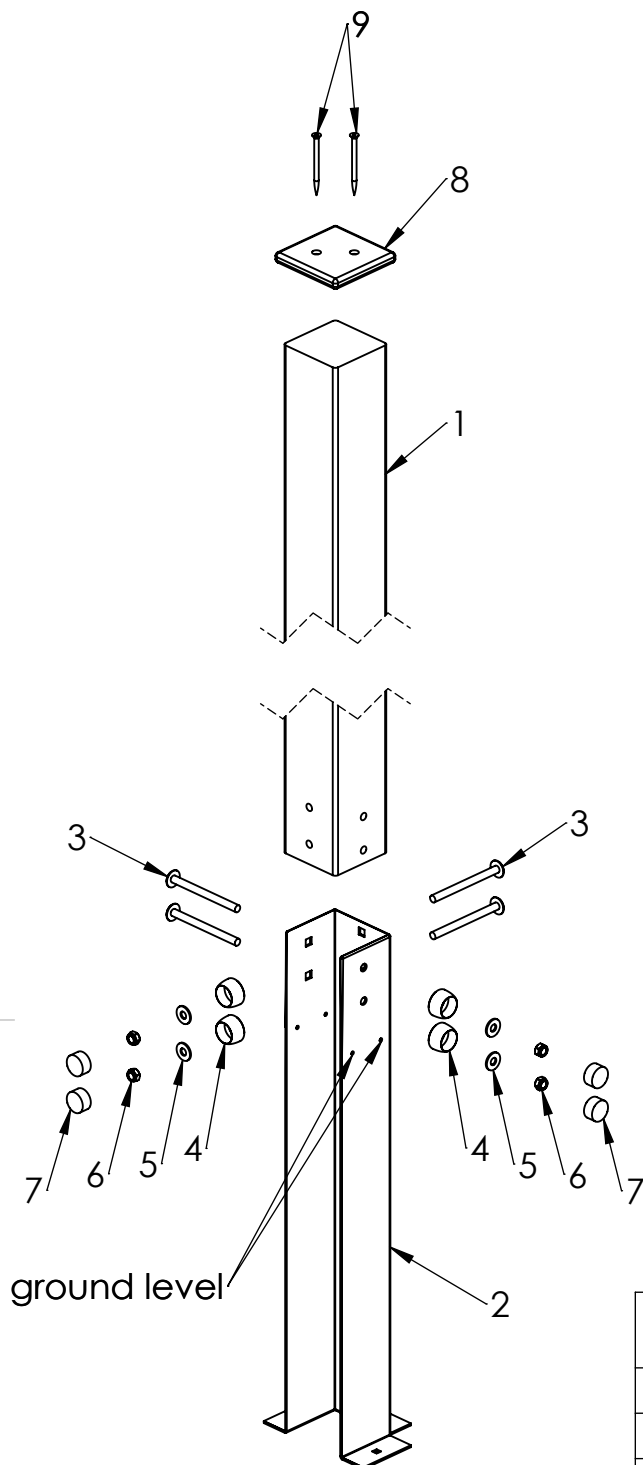
B

C

D

E

F



ITEM NO.	PART NUMBER
1	post 98x98
2	ground fixture
3	bolt M10x120 DIN603
4	nut cover M12
5	washer M10 DIN9054
6	nut M10 DIN985
7	nut cover cap M12
8	plastic cap 115x115
9	wood screw 6 x 90

UNLESS OTHERWISE SPECIFIED:
DIMENSIONS ARE IN MILLIMETERS
WEIGHT ARE IN KILOGRAMM

PART NUMBER / DWG NO.:

TKR001-1

	NAME	SIGNATURE	DATE	REVISION
DRAWN	M.Rebase		20.11.2017	
APPV'D				

DESCRIPTION:

Balance track 1
connecting ground fixture to post

MATERIAL:

wood, metal, plastic

A4

WEIGHT:

SCALE: 1:10

SHEET 8 OF 13



Tiptaptap OÜ

Tiptaptap OÜ
Veetorni 9,
Jüri alevik, Rae vald,
75301 Harjumaa

A

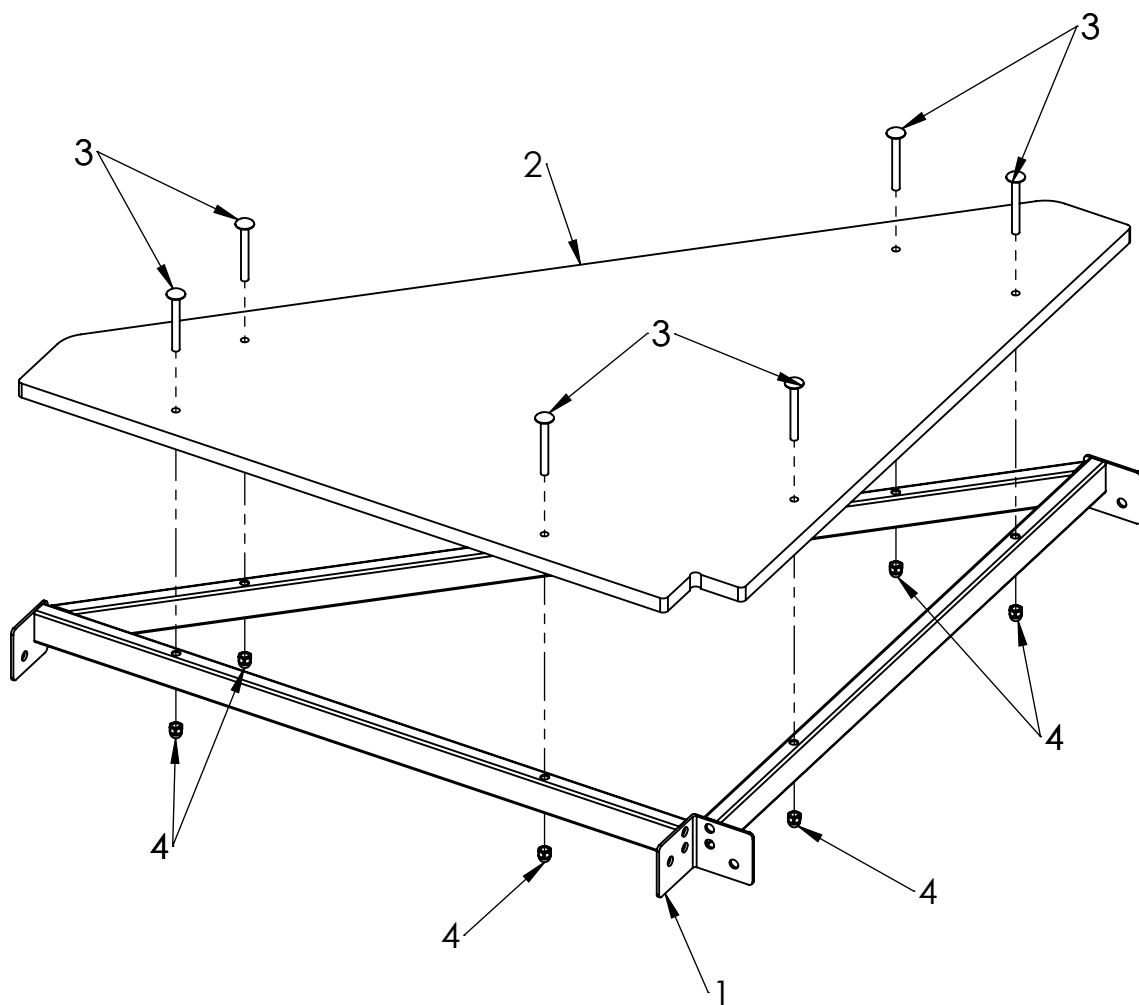
B

C

D

E

F



ITEM NO.	PART NUMBER
1	frame for platform
2	platform triangle
3	bolt M8x70 DIN603
4	domed cap nut M8 DIN986

UNLESS OTHERWISE SPECIFIED:
DIMENSIONS ARE IN MILLIMETERS
WEIGHT ARE IN KILOGRAMM

PART NUMBER / DWG NO.:

TKR001-1

	NAME	SIGNATURE	DATE	REVISION
DRAWN	M.Rebase		20.11.2017	
APPV'D				

DESCRIPTION:

Balance track 1



Tiptap OÜ

Tiptap OÜ
Veetorni 9,
Jüri alevik, Rae vald,
75301 Harjumaa

MATERIAL:

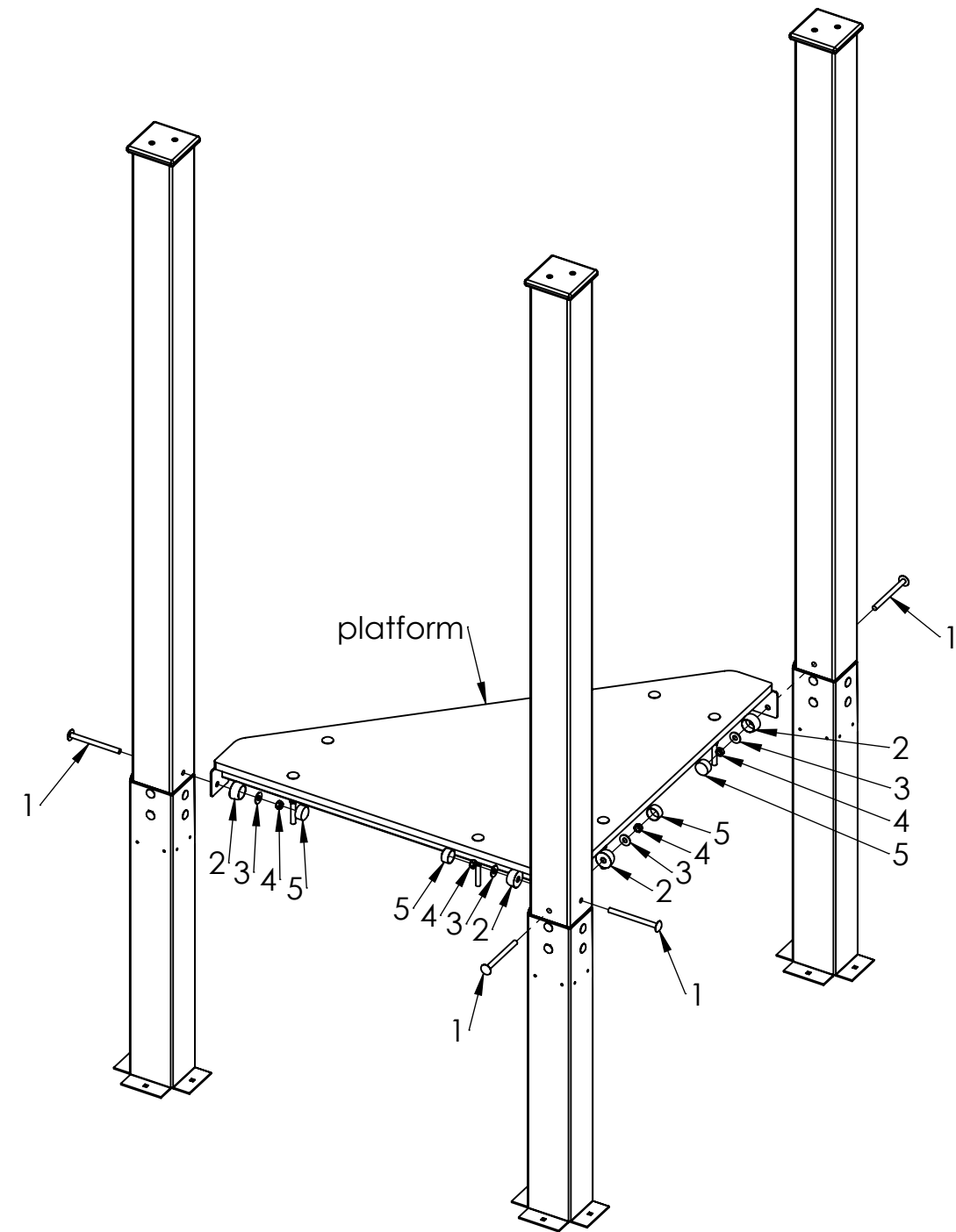
wood, metal, plastic

A4

WEIGHT:

SCALE: 1:8

SHEET 9 OF 13



ITEM NO.	PART NUMBER
1	bolt M10x120 DIN603
2	nut cover M12
3	washer M10 DIN9054
4	nut M10 DIN985
5	nut cover cap M12

UNLESS OTHERWISE SPECIFIED:
DIMENSIONS ARE IN MILLIMETERS
WEIGHT ARE IN KILOGRAMM

	NAME	SIGNATURE	DATE	REVISION
DRAWN	M.Rebase		20.11.2017	
APPV'D				

PART NUMBER / DWG NO.:
TKR001-1

DESCRIPTION:
**Balance track 1
connecting platform to post**



Tiptaptap OÜ
Veetorni 9,
Jüri alevik, Rae vald,
75301 Harjumaa

MATERIAL: wood, metal, plastic	A4
WEIGHT:	SCALE: 1:14
	SHEET 10 OF 13

A

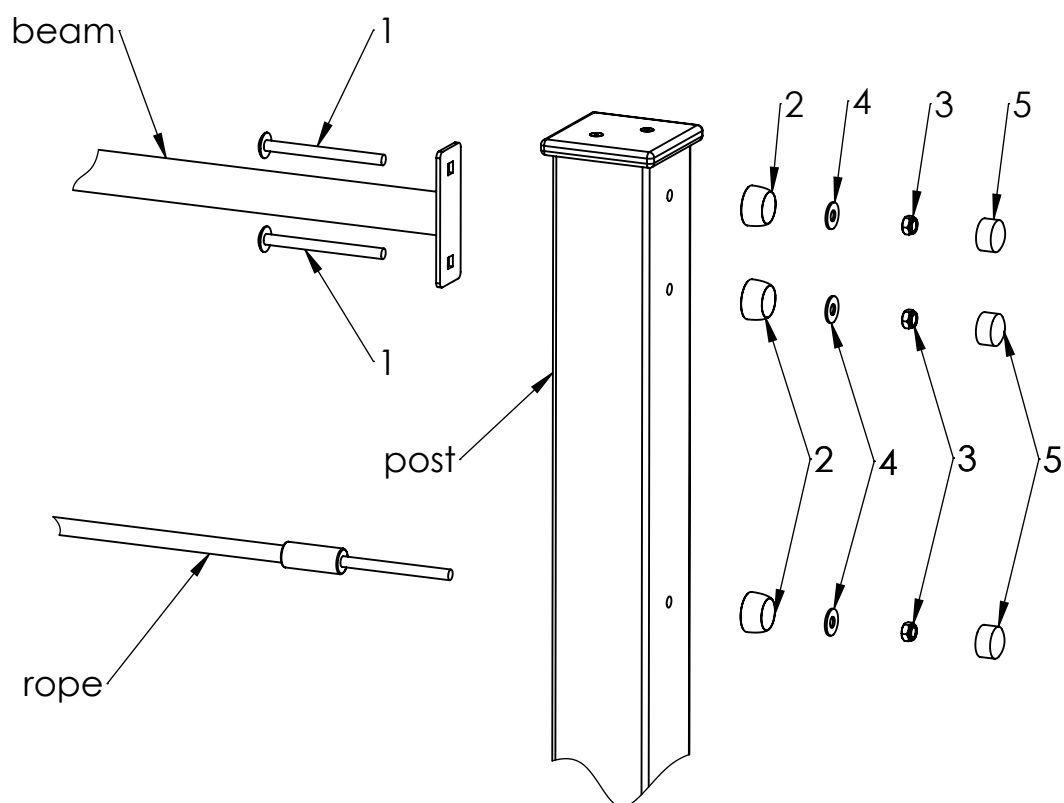
B

C

D

E

F



ITEM NO.	PART NUMBER
1	bolt M10x120 DIN603
2	nut cover M12
3	nut M10 DIN985
4	washer M10 DIN9054
5	nut cover cap M12

UNLESS OTHERWISE SPECIFIED:
DIMENSIONS ARE IN MILLIMETERS
WEIGHT ARE IN KILOGRAMM

PART NUMBER / DWG NO.:

TKR001-1

	NAME	SIGNATURE	DATE	REVISION
DRAWN	M.Rebase		20.11.2017	
APPV'D				

DESCRIPTION:

Balance track 1
connecting beam and rope (net) to post

MATERIAL:

wood, metal, plastic

A4

WEIGHT:

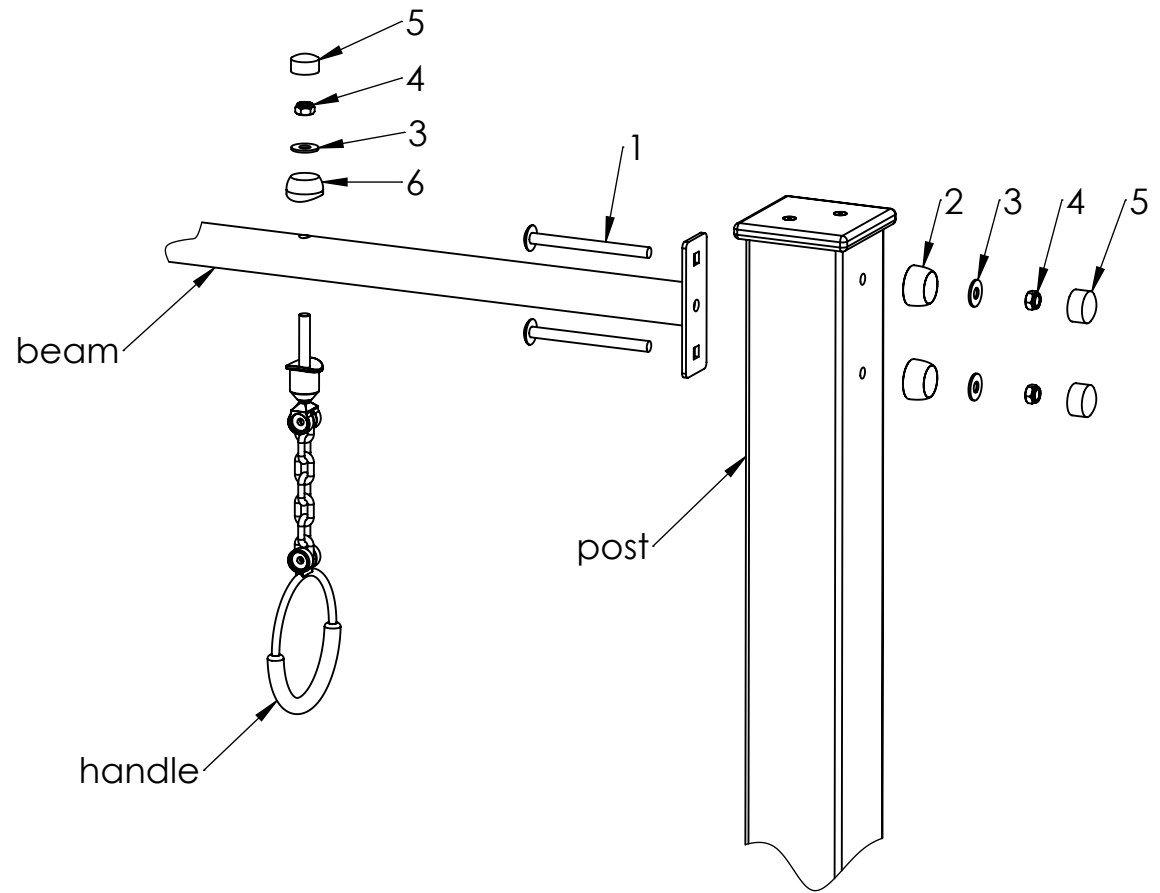
SCALE: 1:7

SHEET 11 OF 13



Tiptiptap OÜ

Tiptiptap OÜ
Veetorni 9,
Jüri alevik, Rae vald,
75301 Harjumaa



ITEM NO.	PART NUMBER
1	bolt M10x120 DIN603
2	nut cover M12
3	washer M10 DIN9054
4	nut M10 DIN985
5	nut cover cap M12
6	nut cover M12 for beam

UNLESS OTHERWISE SPECIFIED:
DIMENSIONS ARE IN MILLIMETERS
WEIGHT ARE IN KILOGRAMM

PART NUMBER / DWG NO.:

TKR001-1

	NAME	SIGNATURE	DATE	REVISION
DRAWN	M.Rebase		20.11.2017	
APPV'D				

DESCRIPTION:

Balance track 1
connecting handles to beam

MATERIAL:

wood, metal, plastic

A4

WEIGHT:

SCALE: 1:7

SHEET 12 OF 13



Tiptiptap OÜ

Tiptiptap OÜ
Veetorni 9,
Jüri alevik, Rae vald,
75301 Harjumaa

A

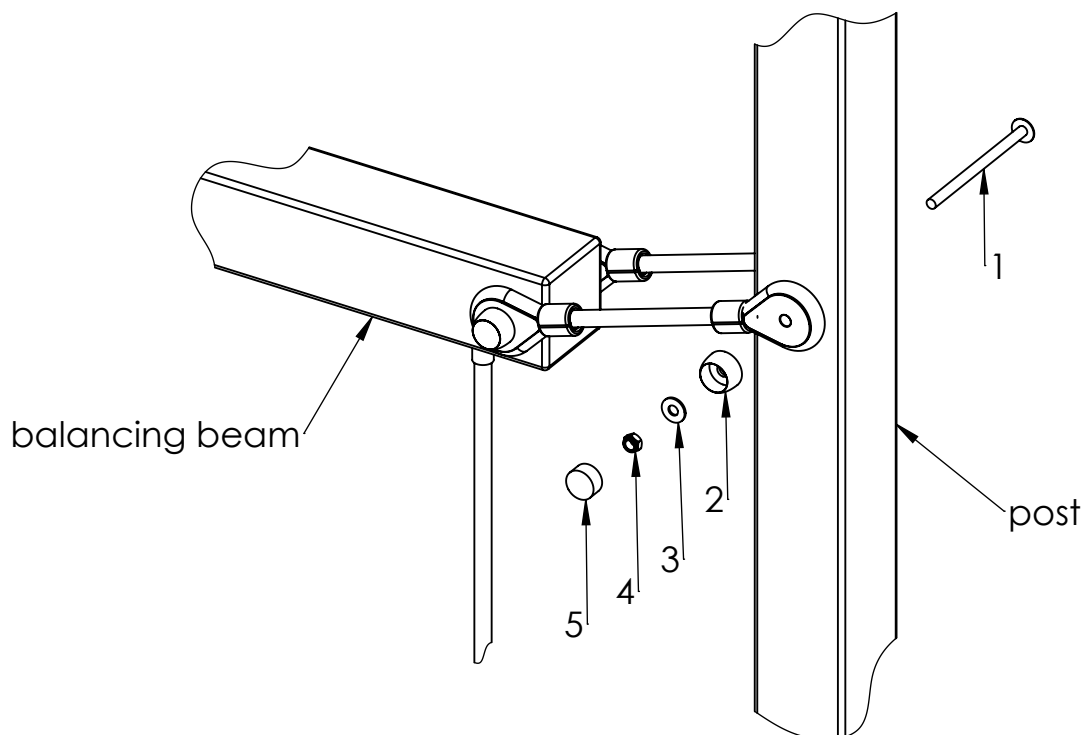
B

C

D

E

F



ITEM NO.	PART NUMBER
1	bolt M10x160 DIN603
2	nut cover M12
3	washer M10 DIN9054
4	nut M10 DIN985
5	nut cover cap M12

UNLESS OTHERWISE SPECIFIED:
DIMENSIONS ARE IN MILLIMETERS
WEIGHT ARE IN KILOGRAMM

PART NUMBER / DWG NO.:

TKR001-1

	NAME	SIGNATURE	DATE	REVISION
DRAWN	M.Rebase		20.11.2017	
APPV'D				

DESCRIPTION:

Balance track 1
connecting balancing beam to post

MATERIAL:

wood, metal, plastic

A4

WEIGHT:

SCALE: 1:7

SHEET 13 OF 13



Tiptaptap OÜ

Tiptaptap OÜ
Veetorni 9,
Jüri alevik, Rae vald,
75301 Harjumaa