

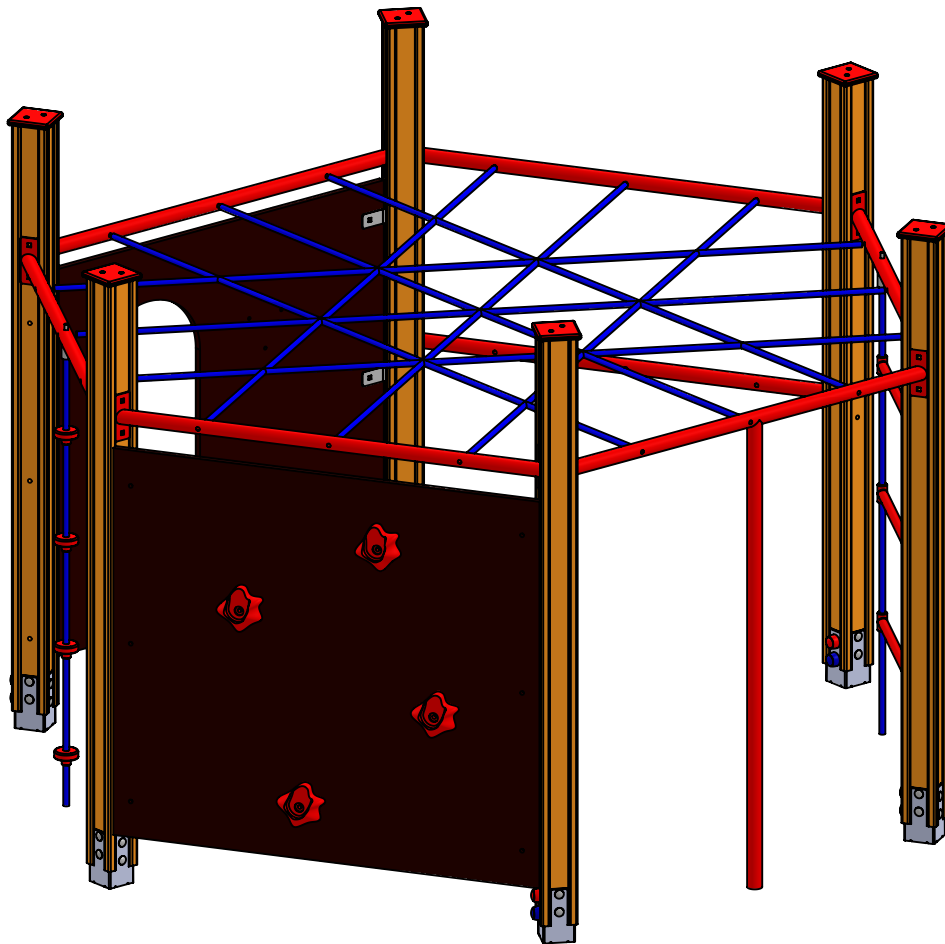
5

6

7

8

9



I B @GGC H: 9FK -G9 CD97 ÷ 98.
 8 A 9BGC BG5F9 B A @A 9HFG
 K 9< <H5F9 B ? &C ; F5A A "

D5FHB I A 69F #8K ; 'BC "

FG%\$!&'@

	B5A 9	C= B5H F9	85H9	F9J -GCB
8F5K B	ÜB{ []		&+"\$, "%&\$%	
5DDJ B				

89G7 F-DHC B.

W]a V]b['ZUa Y' <9L5 ; C B ' &fN "%ž+a Ł



Tiptaptap OÜ

HdhdHd'C y
 JYYhc fb]- ž
 >- f]U`Yj]žFUy j U`Xž
 +)' \$%<Uf' a UU

A 5H9F-5@

k ccXža YHU žd UghW

5(

K 9< <H'

G7 5@9. %&\$

G<99H%C : %%

gUZY hmiUfY U

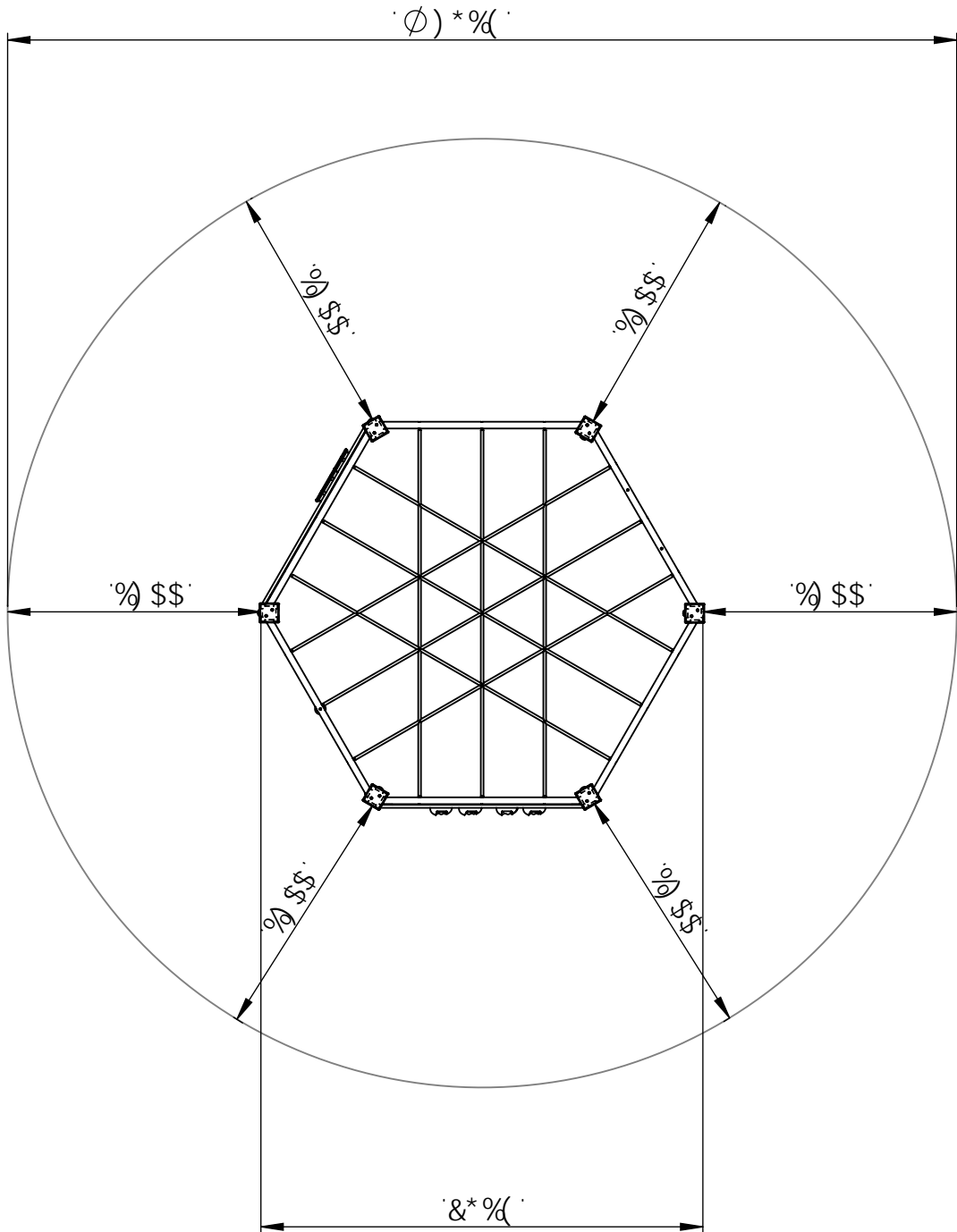
5

6

7

8

9



I B @GGC H: 9FK -G9 GD97 = 98.
 8 A 9BGC BG5F9 B A @A 9HFG
 K 9= <H5F9 B ? @C; F5A A "

	B5A 9	C= B5H F9	85H9	F9J GCB
8F5K B	ÜB{ []		&+"\$, "&\$%	
5DDJ B				

D5FHB I A 69F #8K; 'BC".

FG%\$!&'@

89G7 F-DHC B.

Wja V]b['ZUa Y' <9L5; C B 'fL "%ž+a Ł

Tiptiptap OÜ

HdhhdUd'Cy
 JYYrcfb]-ž
 >- f]U'Yj]žFUy'j U'Xž
 +)' \$%<Uf† a UU

A 5H9F-5@	k ccXža YHU žd UgtW	5(
K 9= <H'	G7 5@. %(\$	G<99H&C: %%

Zci bXUh]cb

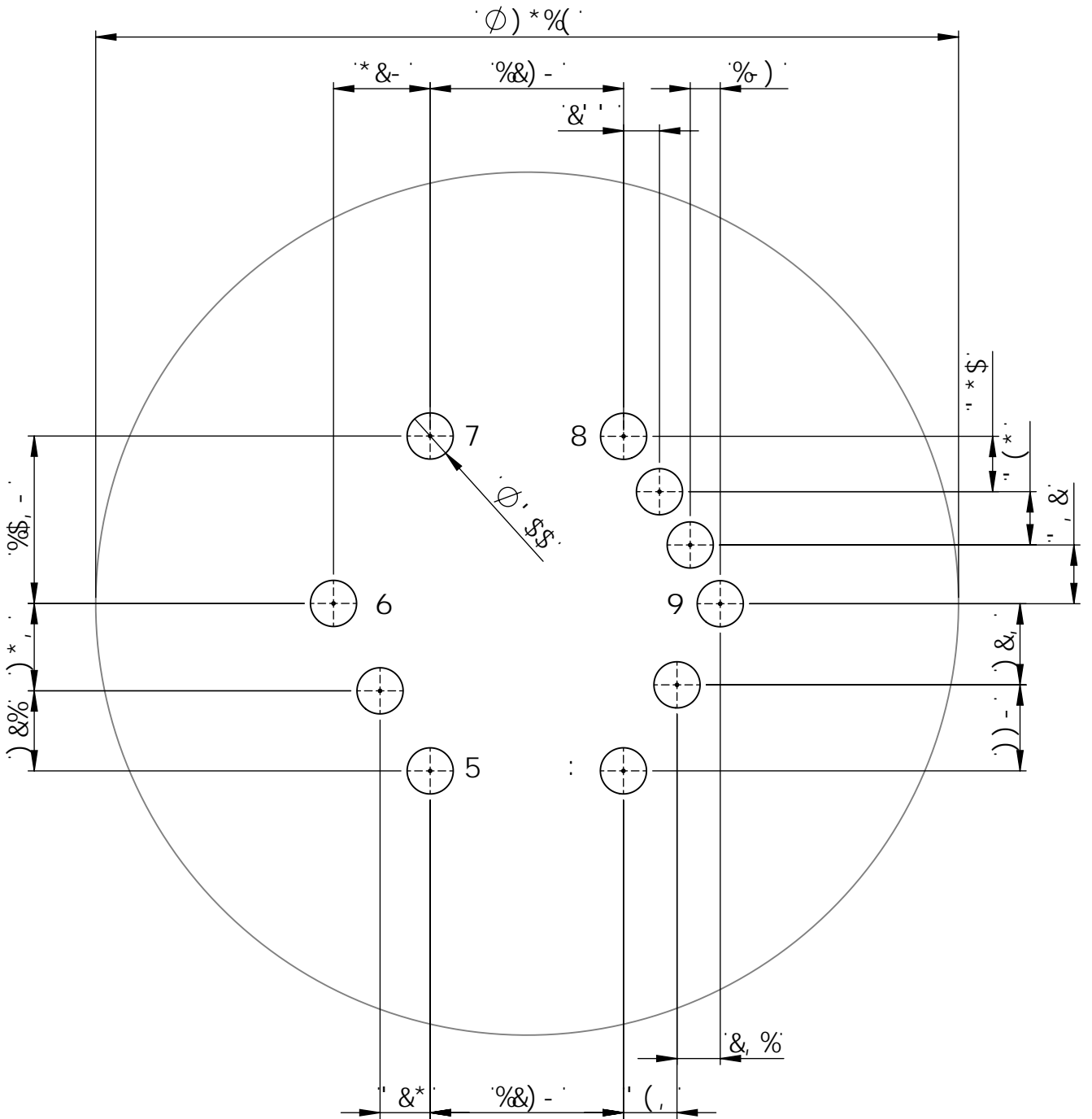
5

6

7


8

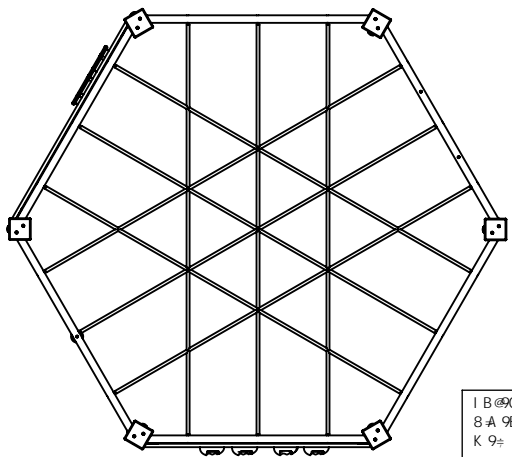
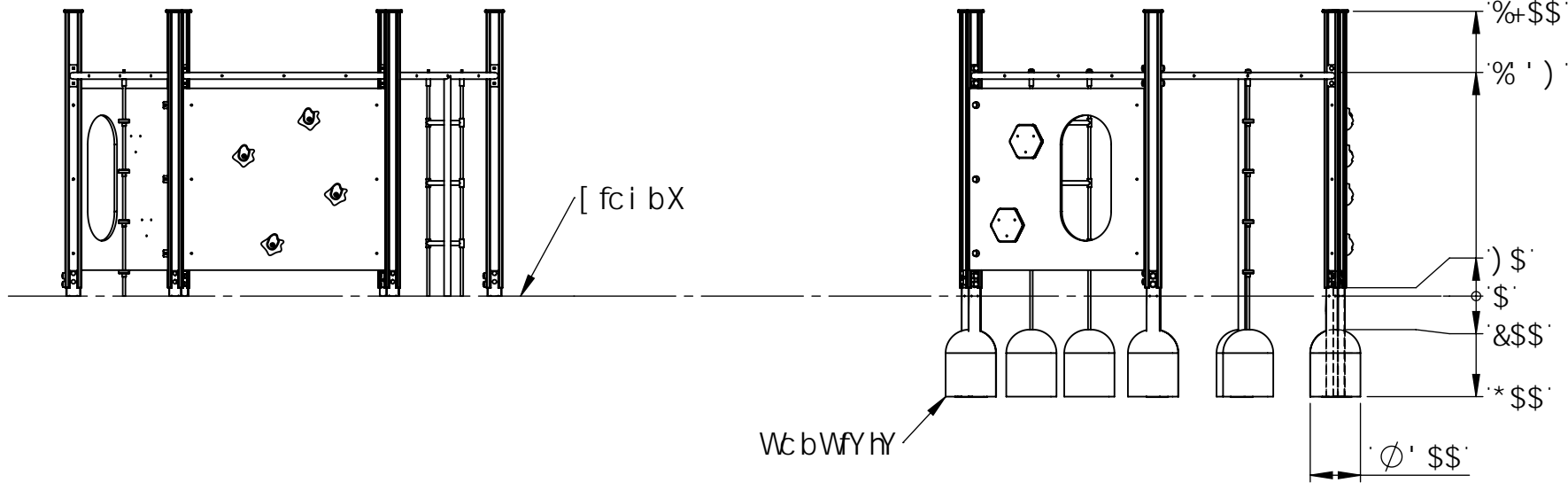
9



I B @GGC H: 9FK -G9 GD97 = 98. 8 A 9BGC BG5F9 B A @A 9HFG K 9= <H5F9 B ? @C : F5A A "			
B5A 9	C= B5H F9	85H9	F9J GCB
8F5K B	ÜB[{]	&+ "\$, "&5%	
5DDJ B			

D5FHBI A 69F #8K : ' BC "	FG%\$!&'@
89G7 F-DHC B.	W]a V]b['ZUa Y <9L5 ; C B 'f\k "%ž+a Ł

 Tiptiptap	HdhhdUd'C y JYYrcfb]-ž >- f]U'Yj]žFUy'j U'Xž +)' \$%<Uf† a UU	A 5H9F-5@ k ccXža YHž'd Ugf]W	5(
	K 9= <H'	G7 5@. %(\$	G<99H' C : %%



I B @GGC H: 9FK €9 QD97 = 98.
 8 A 9BGC BG5F9 B A @@A 9HFG
 K 9= <H5F9 B ? @C ; F5A A "

	B5A 9	G= B5H F9	85H9	F9J €CB
8F5K B	ÜS[(]		&+"\$, "&\$%	
5DDJ B				

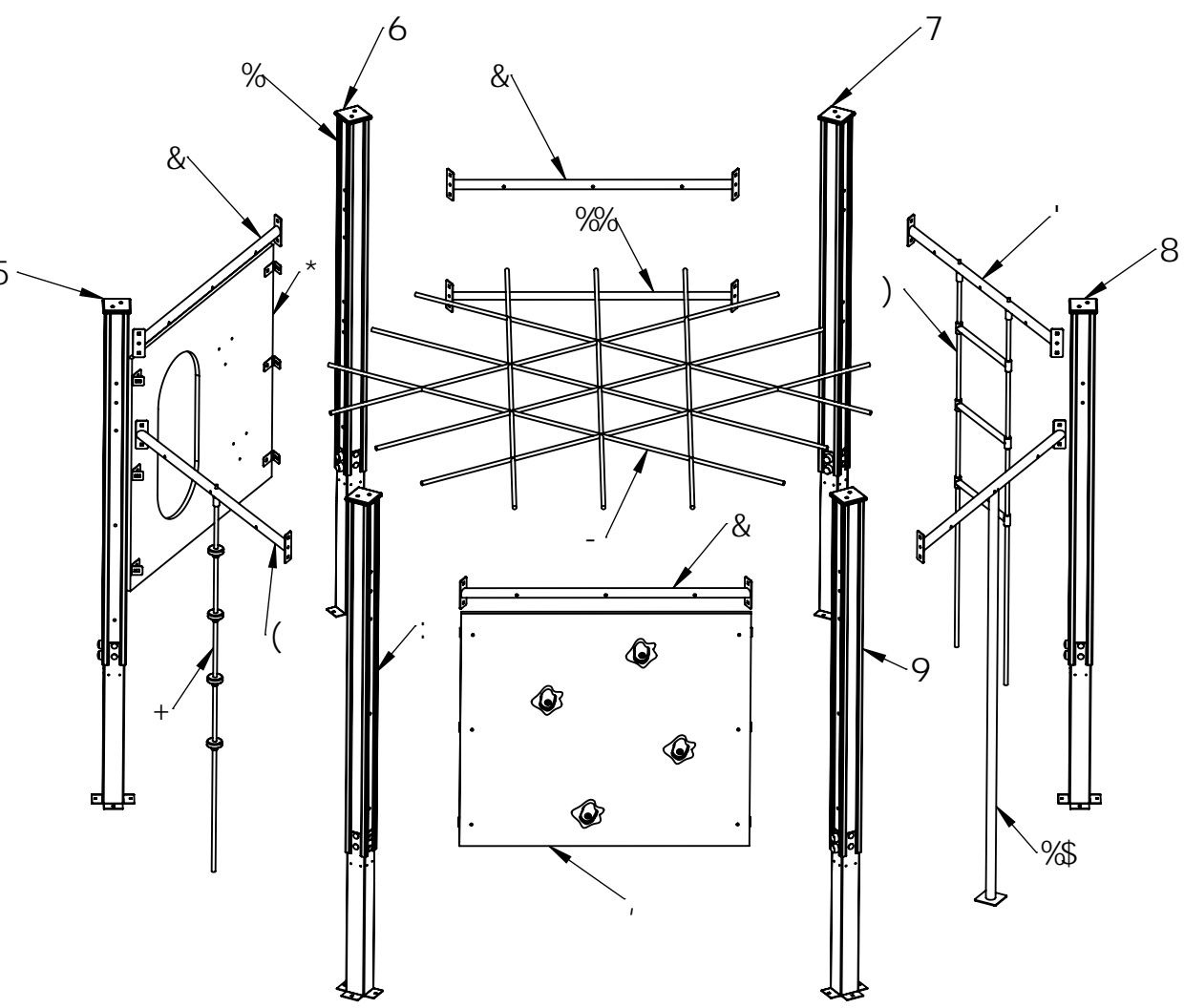
D5FHBI A 69F #8K ; 'BC".
 FG%\$!&'@

89G7 F-DHC B.
 W]a V]b['ZUa Y '<9L5 ; C B '&fM "%z+a Ł



Tiptiptap OÜ
 Hdhhdud 'Cy
 J YYhc fb] - ž
 >- fl'U'Yj]žFUy j U'Xž
 +)' \$%<Uf↑ a UU

A 5H9F 5@	k ccXž a YH žd 'Ug]W	5(
K 9= <H'	G7 5 @9. %(\$	G< 99H ('C : %%



#9A 'BC "	D5FHBI A 69F	8 9G7 F-ĐHC B	E HM
%	dcgh-, l-, l%*) \$	'Ua]bUHYX'k ccX	*
&	VYUa '5!6ž6!7 ž9!: ž(\$! %&%\$	dU]bhYX'ghYY`	'
'	VYUa '7!8ž(\$! %&%\$	dU]bhYX'ghYY`	%
(VYUa ':!5ž(\$! %&%\$	dU]bhYX'ghYY`	%
)	fc dY`UXXYf	DD`Wc j YfYX'ghYY`k]fY'k]h' d'Ugh]Wfi b[%
*	dUbY`k]h' W hci h	% a a 'd`nrk ccX	%
+	W]a V]b['fc dY	DD`Wc j YfYX'ghYY`k]fY'k]h' d'Ugh]W_bch	%
,	W]a V]b['dUbY`	% a a 'd`nrk ccX	%
-	W]a V]b['bYh	DD`Wc j YfYX'ghYY`k]fY	%
%\$	W]a V]b['dc`Y	dU]bhYX'ghYY`	%
%%	VYUa "' &l %&%\$	dU]bhYX'ghYY`	%

I B @GGC H: 9FK -9D97 = 98.
 8A 9BGC BG5F9-B A @9A 9HFG
 K 9= <H5F9-B ? @C: F5A A "

D5FHBI A 69F #8K: 'BC "

F G % \$! & ' @

	B5A 9	C= B5H F9	85H9	F9J -GCB
8F5K B	ÜŠ{ }		&+"\$, "%&%	
5DDJ Š				

8 9G7 F-ĐHC B.

W]a V]b['ZUa Y <9L5; C B &'h "%ž+a Ł



Tiptaptap OÜ

H d h d h U d 'C y
 J Y Y h c f b] - ž
 > f j U Y j] ž F U Y j U X ž
 +)' % \$ < U f a U U

A 5H9F-5@

k ccXža YH ž d'Ugh]W

5(

K 9= <H'

G7 5@. %' \$

G<99H) C: %%

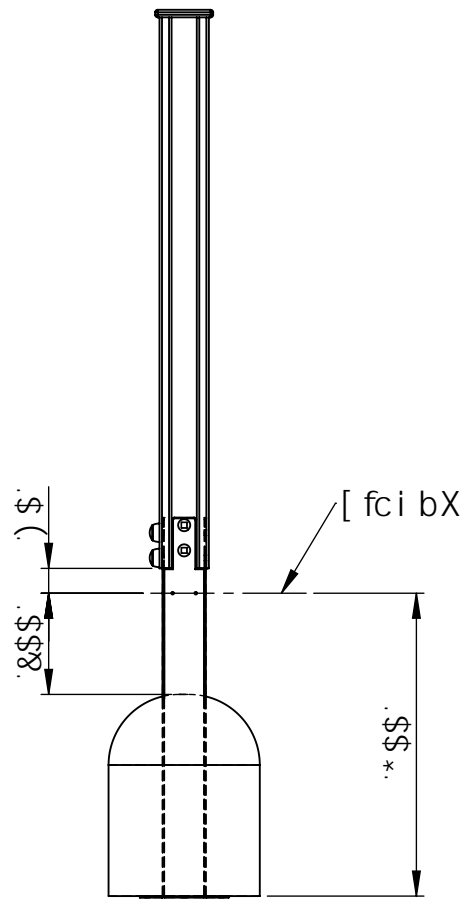
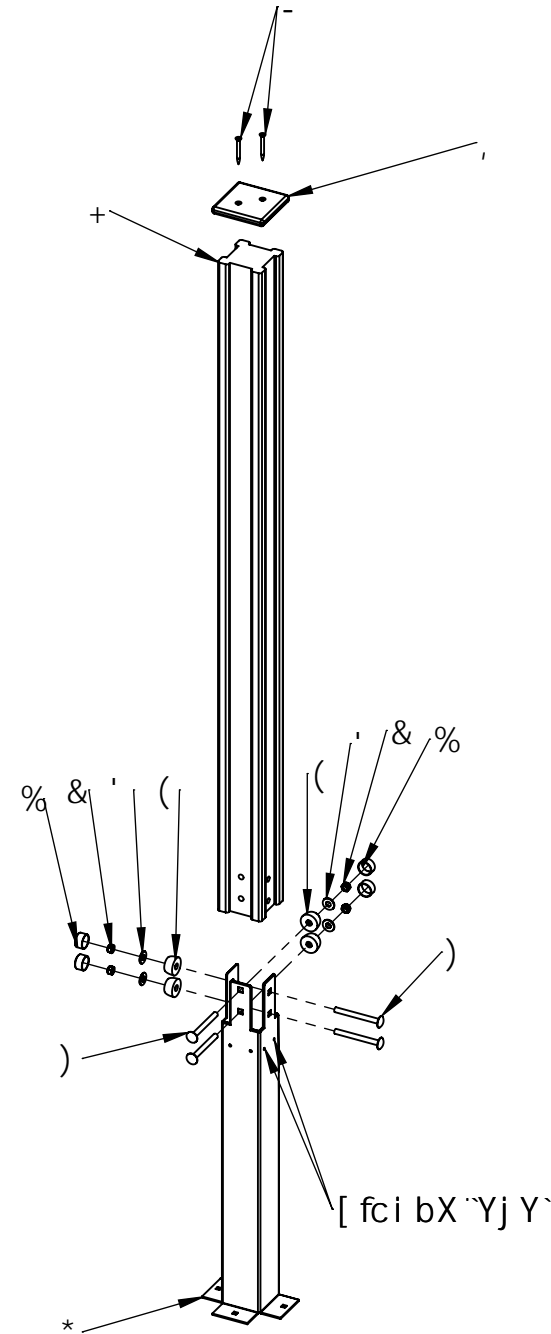
5

6

7

8

9



#DA 'BC "	D5FHBI A 69F
%	bi h'Wcj Yf'WUd 'A %&
&	bi h'8-B-,) 'A %\$
'	k Ug\Yf'8-B-\$) ('A %\$
(bi h'Wcj Yf'A %&
)	Vc h'8-B*' '\$' 'A %\$! %\$
*	I ' [fci bX Z]]b['.
+	dcgi-, l-,
,	d'Ugh'WWUd %\$) I %\$)
-	k ccXg'WYk '*I *\$

I B @GGC H: 9FK -G9 CD97 = 98.
 8 A 9BGC BG5F9-B 'A @A 9HFG
 K 9= <H5F9-B ? @C: F5A A "

D5FHBI A 69F #8K: 'BC "

FG%\$!&'@

	B5A 9	C= B5H F9	85H9	F9J -GC B
8F5K B	ÜB{ []		&+ '\$, " & %	
5DDJ B				

89G7 F-DHC B.

Wja V]b['ZUa Y' < 9L5; C B '&fl "%ž+a Ł



Tiptiptap

HdhdHd'C y
 JYYrcfb]-ž
 > f]UYj]žFUY'j U'Xž
 +)' %\$<Uf† a UU

A 5H9F-5@

k ccXža YHž'd'Ugh'W

5(

K 9= <H'

G7 5@. %%)

G<99H* C: %%

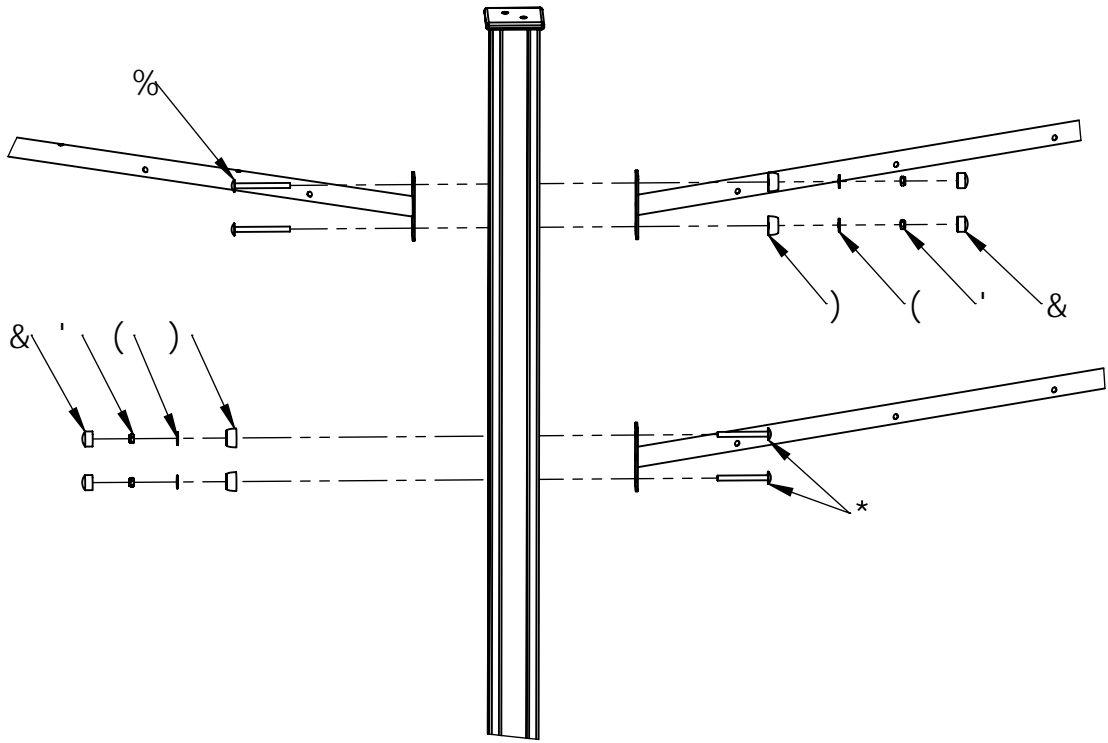
5

6

7

8

9



#9A 'BC "	D5FHBI A 69F
%	Vc`h8-B*\$' A %\$! %/\$
&	bi hWcj YfWUd`A %&
'	bi h8-B-,) `A %\$
(k Ug\Yf8-B-\$) (`A %\$
)	bi hWcj YfA %&
*	Vc`h8-B*\$' A %\$! %/\$\$

I B@GGC H: 9FK -G9 0D97 = 98.
 8 A 9BGC BG5F9-B A @A 9HFG
 K 9= <H5F9-B ? @C; F5A A "

D5FHBI A 69F #8K; 'BC "

FG%\$!&@

	B5A 9	C= B5H F9	85H9	F9J -GC B
8F5K B	ÜB[{]		&+"\$, "%\$%	
5DDJ B				

89G7 F-DHC B.

Wja V]b['ZUa Y`<9L5; C B `&f\ "%ž+a Ł



Tiptaptap OÜ

HdhdUd`Cy
 JYYrcfb]-ž
 > f]UYj]žFUy`j U`Xž
 +)' \$%<Uf† a UU

A 5H9F-5@

k ccXža YHU žd`Ug]W

5(

K 9= <H`

G7 5@. %%)

G<99H+ C: %%

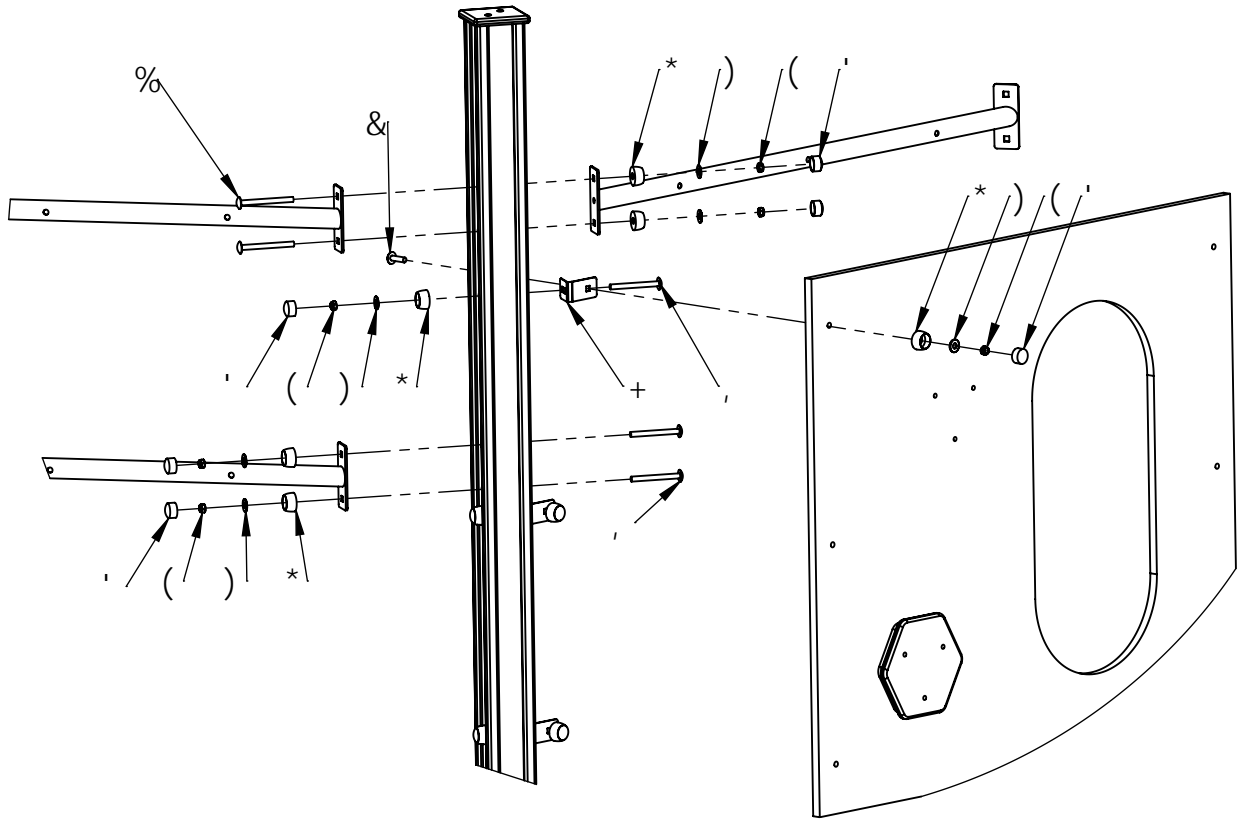
5

6

7

8

9



#9A 'BC "	D5FHBI A 69F
%	Vc`h8-B*\$' `A %\$! %&\$
&	Vc`h8-B*\$' `A %\$! ')
'	bi hWc`j Yf`WUd `A %&
(bi h8-B-,) `A %\$
)	k Ug\Yf`8-B-\$) (`A %\$
*	bi hWc`j Yf`A %&
+	Z]]b[`Wc`fbYf
,	Vc`h8-B*\$' `A %\$! %&\$

I B @GGC H: 9FK -G9 CD97 = 98.
 8 A 9BGC BG5F9-B A @A 9HFG
 K 9= <H5F9-B ? @C; F5A A "

D5FHBI A 69F #8K; 'BC "

FG%\$!&'@

	B5A 9	C= B5H F9	85H9	F9J -GCB
8F5K B	ÜB[{]		&+"\$, "%&\$	
5DDJ B				

89G7 F-DHC B.

W]a V]b[`Z]Ua Y`<9L5; C B `&f\ "%ž+a Ł



Tiptiptap

HdhdHd`C y
 J Y Yrc fb] - ž
 > f]U`Yj]žFUy`j U`Xž
 +)' %\$<Uf`a UU

A 5HF-5@

k ccXža YH`žd`Ug]W

5(

K 9= <H'

G7 5@. %&)

G<99H, C: %&

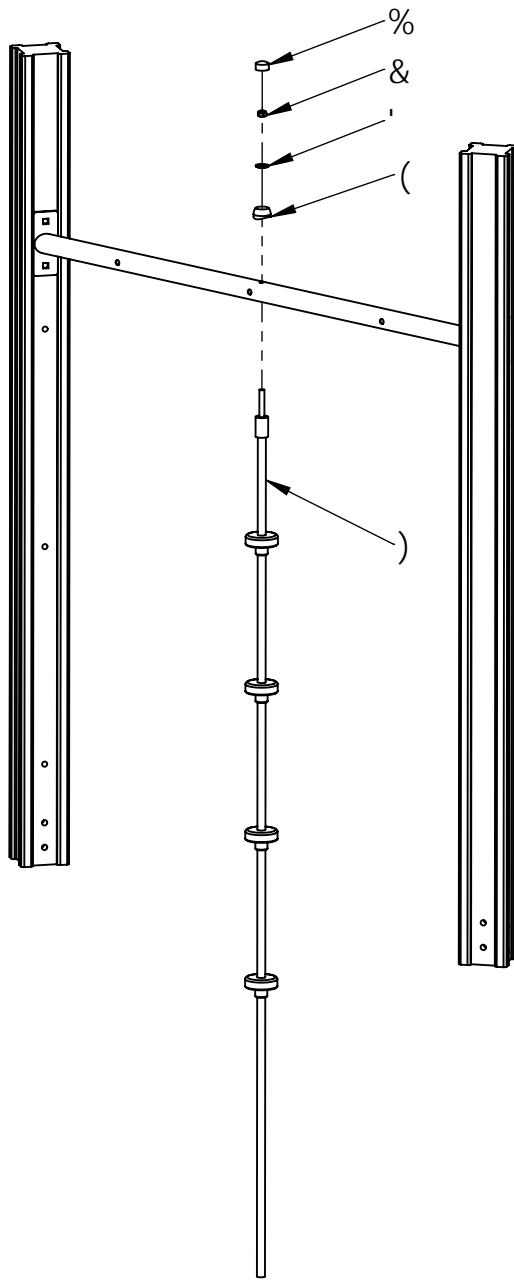
5

6

7

8

9



#9A 'BC "	D5FHBI A 69F
%	bi hWcj YfWUd 'A %&
&	bi h'8 B-,) 'A %\$
'	k Ug\Yf'8 B- \$) ('A %\$
(bi hWcj Yf ZcfVYUa 'A %&
)	W]a V]b['UXXYf

I B@GGC H: 9FK -G9GD97 =98. 8 A 9BGC BG5F9-B A @A 9HFG K 9= <H5F9 B ? @C ; F5A A "				
B5A 9	C= B5H F9	85H9	F9J GCB	
8F5K B	ÜB[{]	&+"\$, "%\$%		
5DDJ B				

D5FHBI A 69F #8K ; 'BC "	FG%\$!&'@
89G7 F-DHC B.	W]a V]b['ZUa Y' <9L5 ; C B '&f\ "%ž+a Ł



Tiptiptap OÜ

HdhdUd 'Cy
JYYrcfb]-ž
>- f]UYj]žFUyj U'Xž
+)' \$%<Uf† a UU

A 5H9F-5@	k ccXža YHž'd Ug]W	5(
K 9= <H'	G7 5@. %%)	G<99H- C : %%

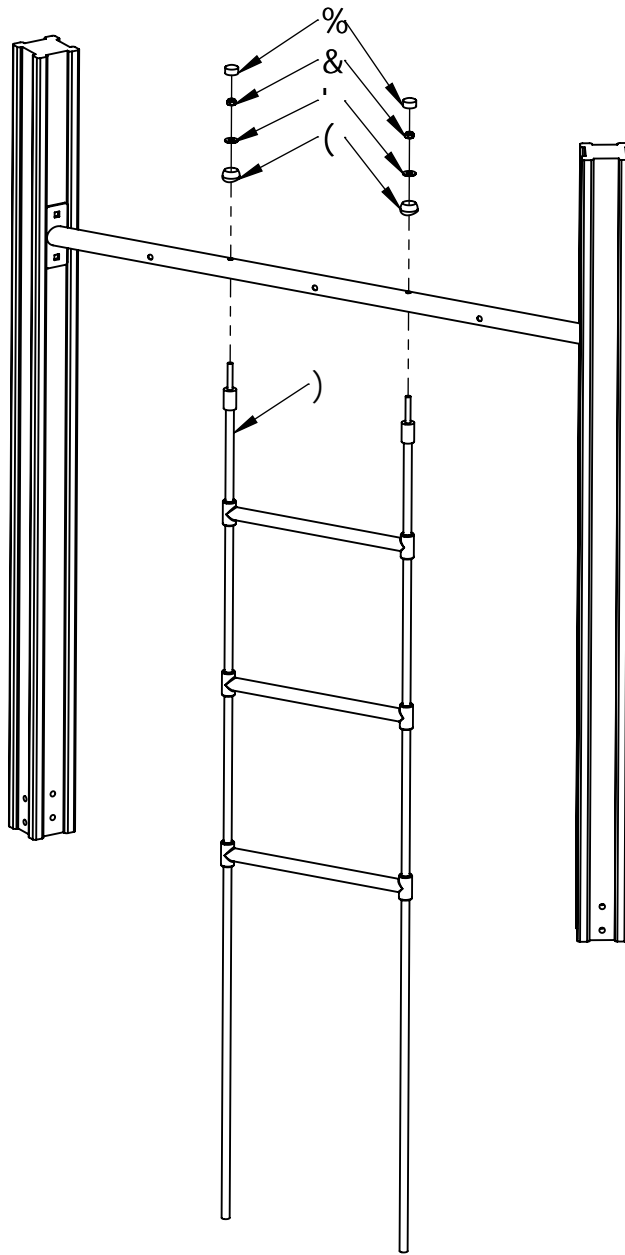
5

6

7

8

9



#9A 'BC "	D5FHBI A 69F
%	bi hWcj YfWUd 'A %&
&	bi h8-B-,) 'A %\$
'	k Ug\Yf8-B-\$) ('A %\$
(bi hWcj YfZcfVYUa 'A %&
)	Wja V]b['UXXYf

I B@GGC H: 9FK -G9GD97 ÷ 98. 8 A 9BGC BG5F9-B A @A 9HFG K 9÷ <H5F9-B ?@C; F5A A "				
	B5A 9	C÷ B5H F9	85H9	F9J -GCB
8F5K B	ÜB{ []		&+ "\$, "%\$%	
5DDJ B				

D5FHBI A 69F #8K; 'BC "	FG%\$!&@
89G7 F-DHC B.	Wja V]b['ZUa Y' <9L5; C B '&f\ "%ž+a Ł

Tiptiptap OÜ

HdhhdUd 'Cy
JYYrcfb]-ž
>- f]U'Yj]žFUy'j U'Xž
)' \$%<Uf† a UU

A 5H9F-5@	k ccXža YHU žd 'Ug]W	5(
K 9÷ <H'	G7 5@. %%%	G< 99H%\$C: %%

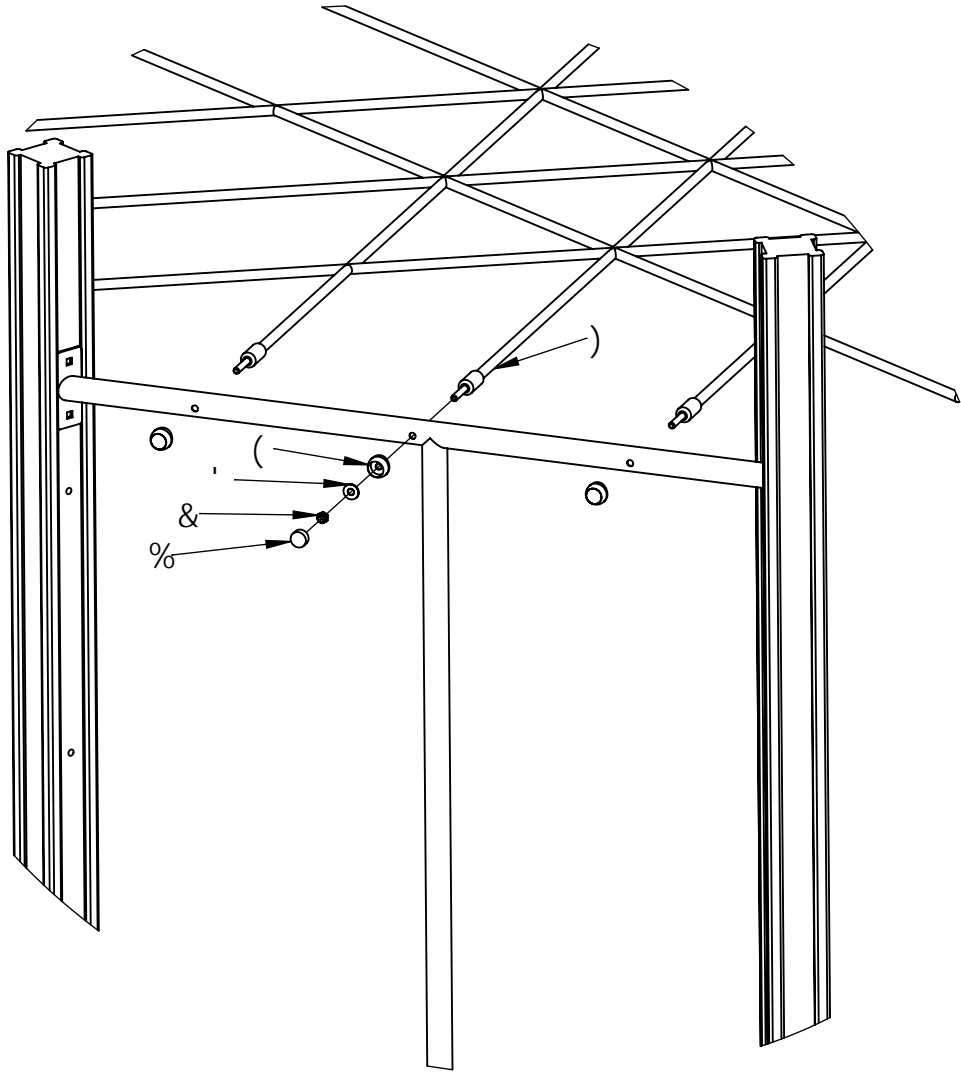
5

6

7

8

9



#9A 'BC "	D5FHBI A 69F
%	bi hWcj YfWUd 'A %&
&	bi h8-B-,) 'A %\$
'	k Ug\Yf8-B-\$) ('A %\$
(bi hWcj YfZcfVYUa 'A %&
)	W]a V]b['bYh

I B@GGC H: 9FK -G9D97 ÷ 98.
 8A 9BGC BG5F9-B'A @A 9HFG
 K 9< H5F9-B ?@C; F5A A "

D5FHBI A 69F #8K; 'BC "

	B5A 9	C: B5H F9	85H9	F9J -GCB
8F5K B	ÜB{ []		&+"\$, "%\$%	
5DDJ B				

FG%\$!&'@
 89G7 F-DHC B.
 W]a V]b['ZUa Y' <9L5; C B '&f\ "%ž+a Ł



Tiptiptap OÜ

HdhhdUd 'Cy
 JYYrcfb]-ž
 > f]UYj]žFUyj U'Xž
 +' '\$%<Uf† a UU

A 5HFF-5@	k ccXža YHUžd 'Ug]W	5(
K 9< 'H'	G7 5@. %%%	G< 99H%&C: %%