

A

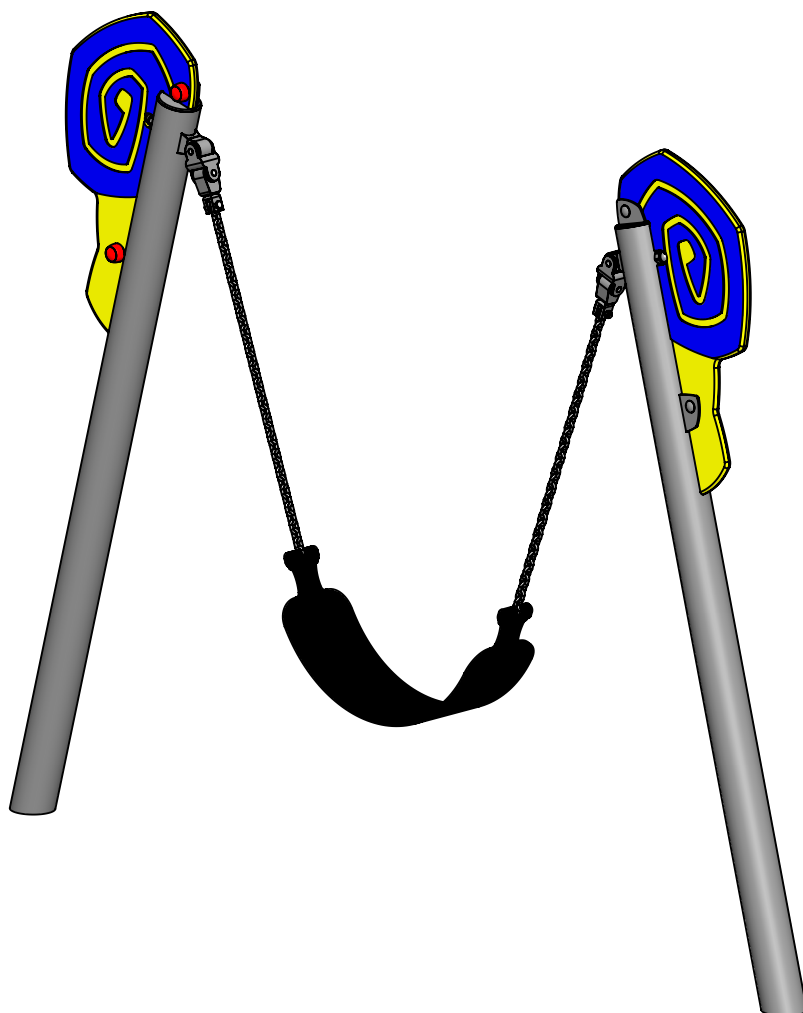
B

C

D

E

F



UNLESS OTHERWISE SPECIFIED:
DIMENSIONS ARE IN MILLIMETERS
WEIGHT ARE IN KILOGRAMM

PART NUMBER / DWG NO.:

K113

	NAME	SIGNATURE	DATE	REVISION
DRAWN	M.Rebase		02.08.2016	
APPV'D				

DESCRIPTION:

Swing construction BABY SNAIL



Tiptiptap OÜ

Tiptiptap OÜ
Veetorni 9,
Jüri alevik, Rae vald,
75301 Harjumaa

MATERIAL:

wood, metal, plastic

A4

WEIGHT:

SCALE: 1:15

SHEET 1 OF 7

safety area

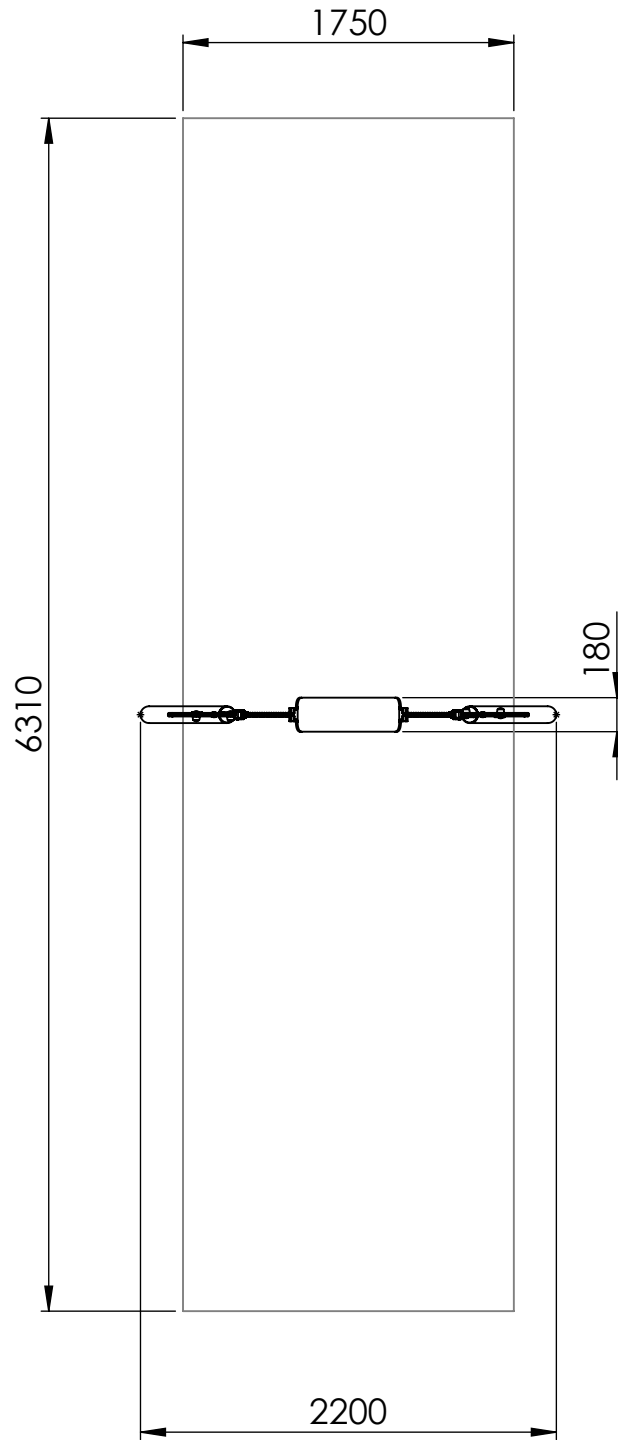
A

B

C

D

E



UNLESS OTHERWISE SPECIFIED:
DIMENSIONS ARE IN MILLIMETERS
WEIGHT ARE IN KILOGRAMM

PART NUMBER / DWG NO.:

K113

	NAME	SIGNATURE	DATE	REVISION
DRAWN	M.Rebase		02.08.2016	
APPV'D				

DESCRIPTION:

Swing construction BABY SNAIL

F



Tiptiptap OÜ

Tiptiptap OÜ
Veetorni 9,
Jüri alevik, Rae vald,
75301 Harjumaa

MATERIAL:

wood, metal, plastic

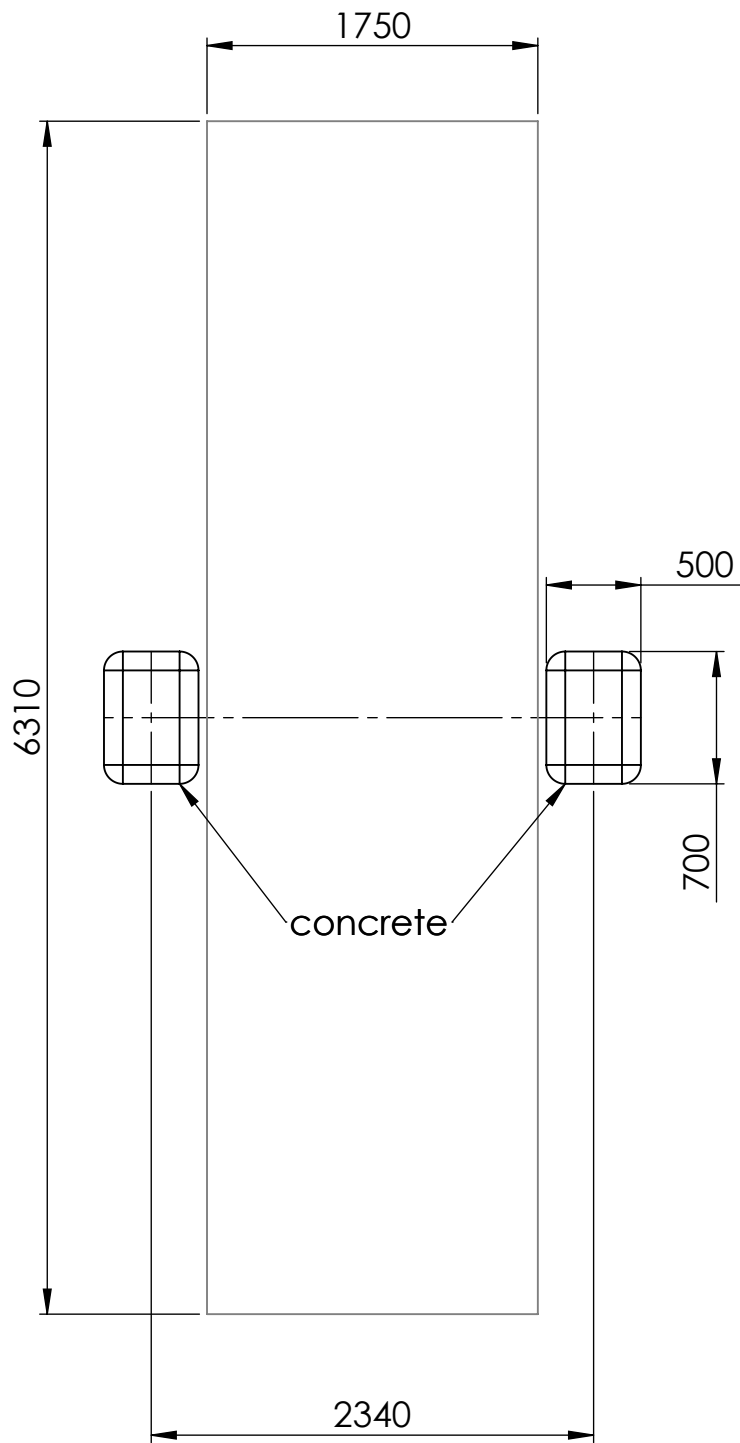
A4

WEIGHT:

SCALE: 1:40

SHEET 2 OF 7

foundation



depth of foundation 600mm

UNLESS OTHERWISE SPECIFIED:
DIMENSIONS ARE IN MILLIMETERS
WEIGHT ARE IN KILOGRAMM

PART NUMBER / DWG NO.:

K113

	NAME	SIGNATURE	DATE	REVISION
DRAWN	M.Rebase		02.08.2016	
APPV'D				

DESCRIPTION:

Swing construction BABY SNAIL



Tiptaptap OÜ

Tiptaptap OÜ
Veetorni 9,
Jüri alevik, Rae vald,
75301 Harjumaa

MATERIAL:

wood, metal, plastic

A4

WEIGHT:

SCALE: 1:40

SHEET 3 OF 7

A

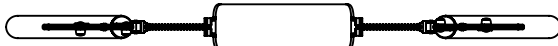
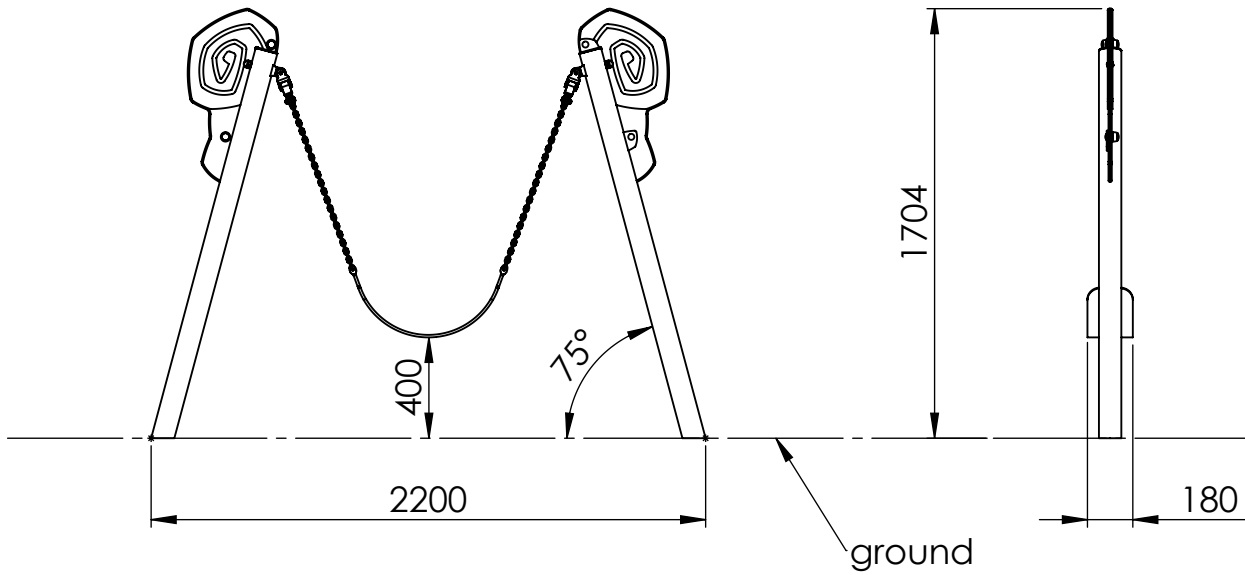
B

C

D

E

F



UNLESS OTHERWISE SPECIFIED:
 DIMENSIONS ARE IN MILLIMETERS
 WEIGHT ARE IN KILOGRAMM

PART NUMBER / DWG NO.:

K113

	NAME	SIGNATURE	DATE	REVISION
DRAWN	M.Rebase		02.08.2016	
APPV'D				

DESCRIPTION:

Swing construction BABY SNAIL



Tiptaptap OÜ

Tiptaptap OÜ
 Veetorni 9,
 Jüri alevik, Rae vald,
 75301 Harjumaa

MATERIAL:

wood, metal, plastic

A4

WEIGHT:

SCALE: 1:30

SHEET 4 OF 7

A

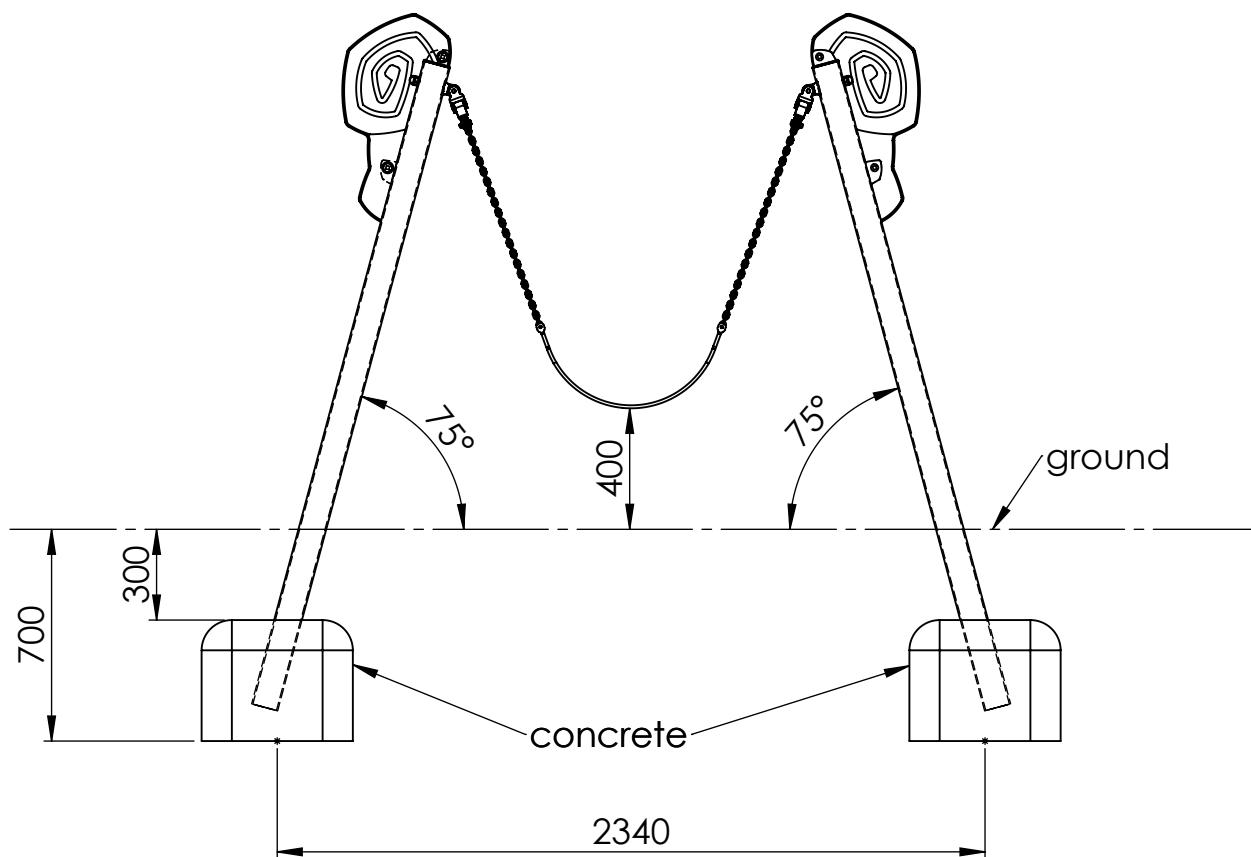
B

C

D

E

F



UNLESS OTHERWISE SPECIFIED:
DIMENSIONS ARE IN MILLIMETERS
WEIGHT ARE IN KILOGRAMM

PART NUMBER / DWG NO.:

K113

	NAME	SIGNATURE	DATE	REVISION
DRAWN	M.Rebase		02.08.2016	
APPV'D				

DESCRIPTION:

Swing construction BABY SNAIL



Tiptaptap OÜ

Tiptaptap OÜ
Veetorni 9,
Jüri alevik, Rae vald,
75301 Harjumaa

MATERIAL:

wood, metal, plastic

A4

WEIGHT:

SCALE: 1:25

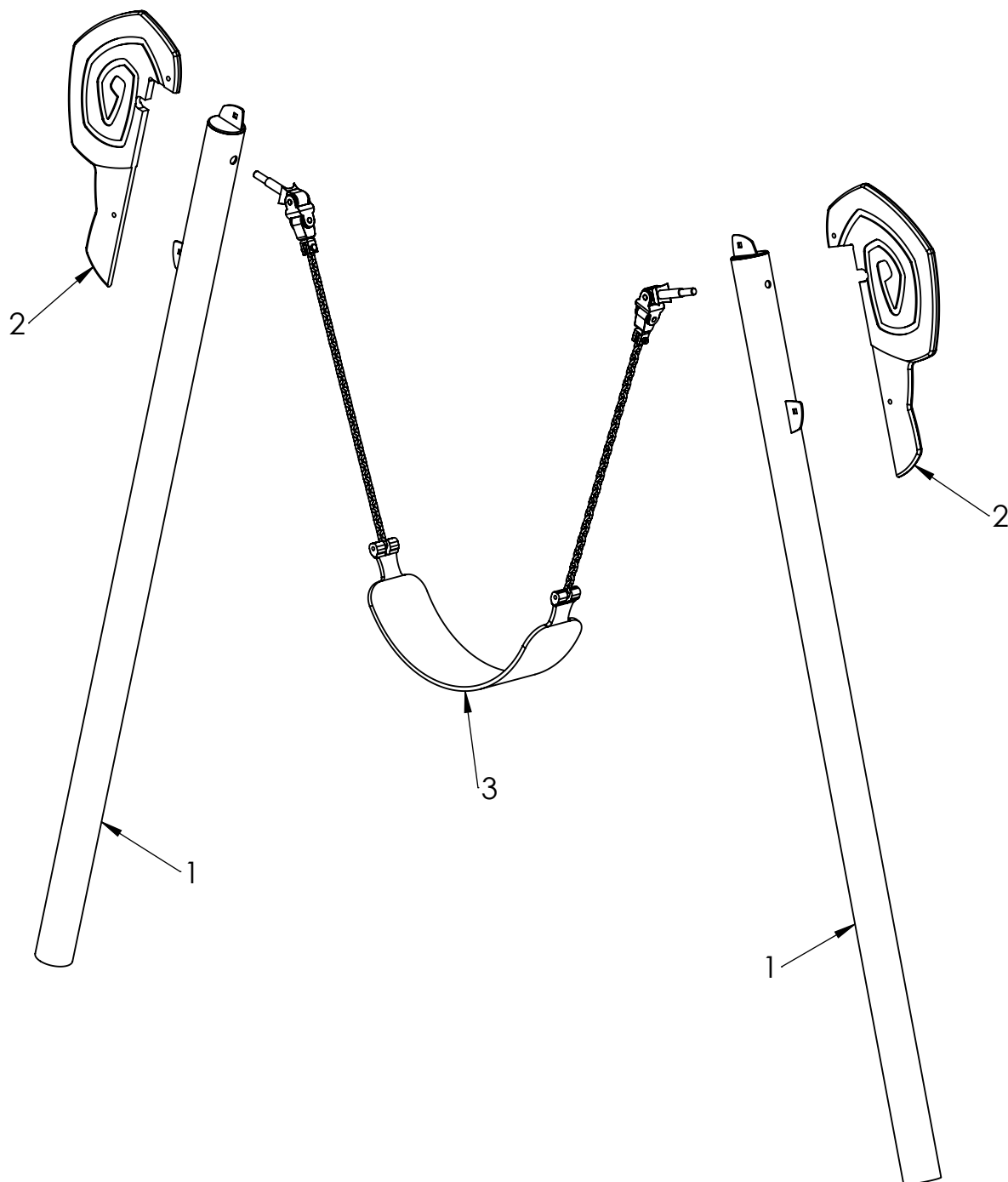
SHEET 5 OF 7

A

B

C

D



E

ITEM NO.	PART NUMBER	DESCRIPTION	QTY.
1	post Ø88,9x2200	galvanized steel	2
2	side panel	PE plastic	2
3	swing seat with fixings	rubber, metal	1

F

UNLESS OTHERWISE SPECIFIED:
DIMENSIONS ARE IN MILLIMETERS
WEIGHT ARE IN KILOGRAMM

	NAME	SIGNATURE	DATE	REVISION
DRAWN	M.Rebase		02.08.2016	
APPV'D				

PART NUMBER / DWG NO.:

K113

DESCRIPTION:

Swing construction BABY SNAIL

MATERIAL:

wood, metal, plastic

A4

WEIGHT:

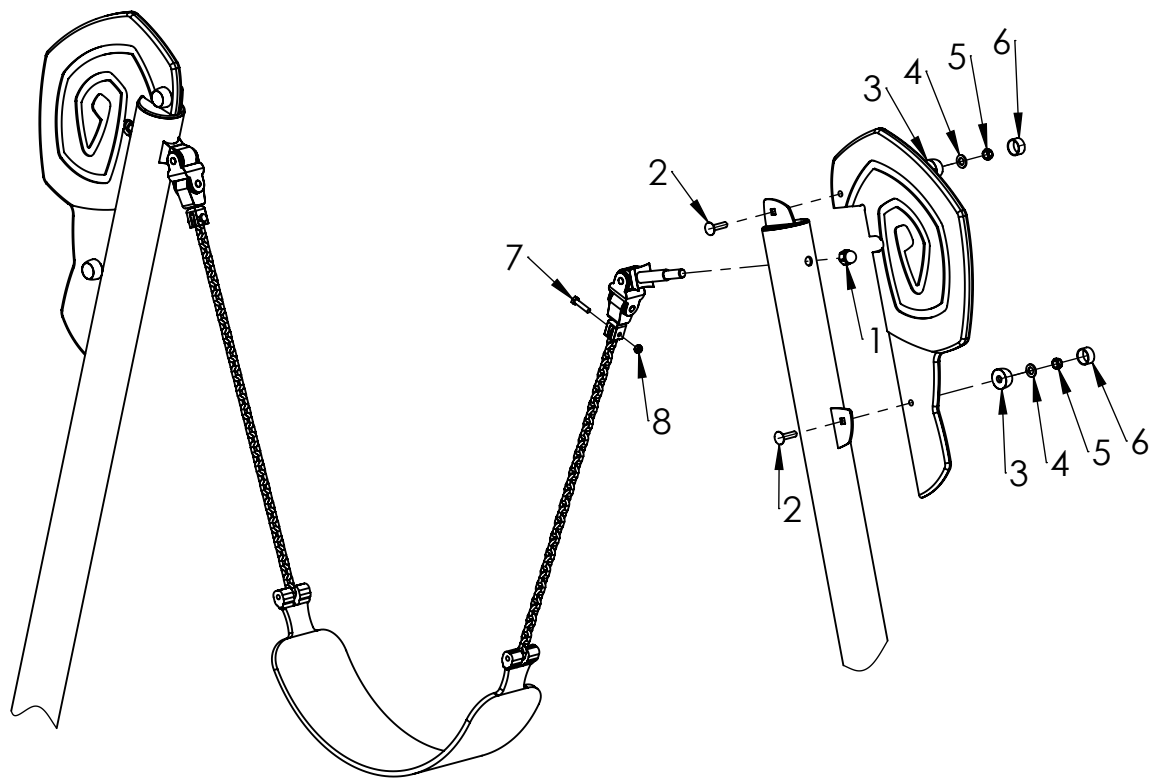
SCALE: 1:15

SHEET 6 OF 7



Tiptiptap OÜ


Tiptiptap OÜ
Veetorni 9,
Jüri alevik, Rae vald,
75301 Harjumaa



ITEM NO.	PART NUMBER
1	domed cap nut DIN1587 M16
2	bolt DIN603 M10x40
3	nut cover M12
4	washer M12
5	nut DIN985 M12
6	nut cover cap M12
7	bolt DIN933 M8x35
8	nut DIN985 M8

UNLESS OTHERWISE SPECIFIED:
DIMENSIONS ARE IN MILLIMETERS
WEIGHT ARE IN KILOGRAMM

	NAME	SIGNATURE	DATE	REVISION
DRAWN	M.Rebase		02.08.2016	
APPV'D				


Tiptap OÜ
 Veetorni 9,
 Jüri alevik, Rae vald,
 75301 Harjumaa

PART NUMBER / DWG NO.:		K113	
DESCRIPTION:			
Swing construction BABY SNAIL			
MATERIAL:		wood, metal, plastic	A4
WEIGHT:		SCALE: 1:14	SHEET 7 OF 7