

A

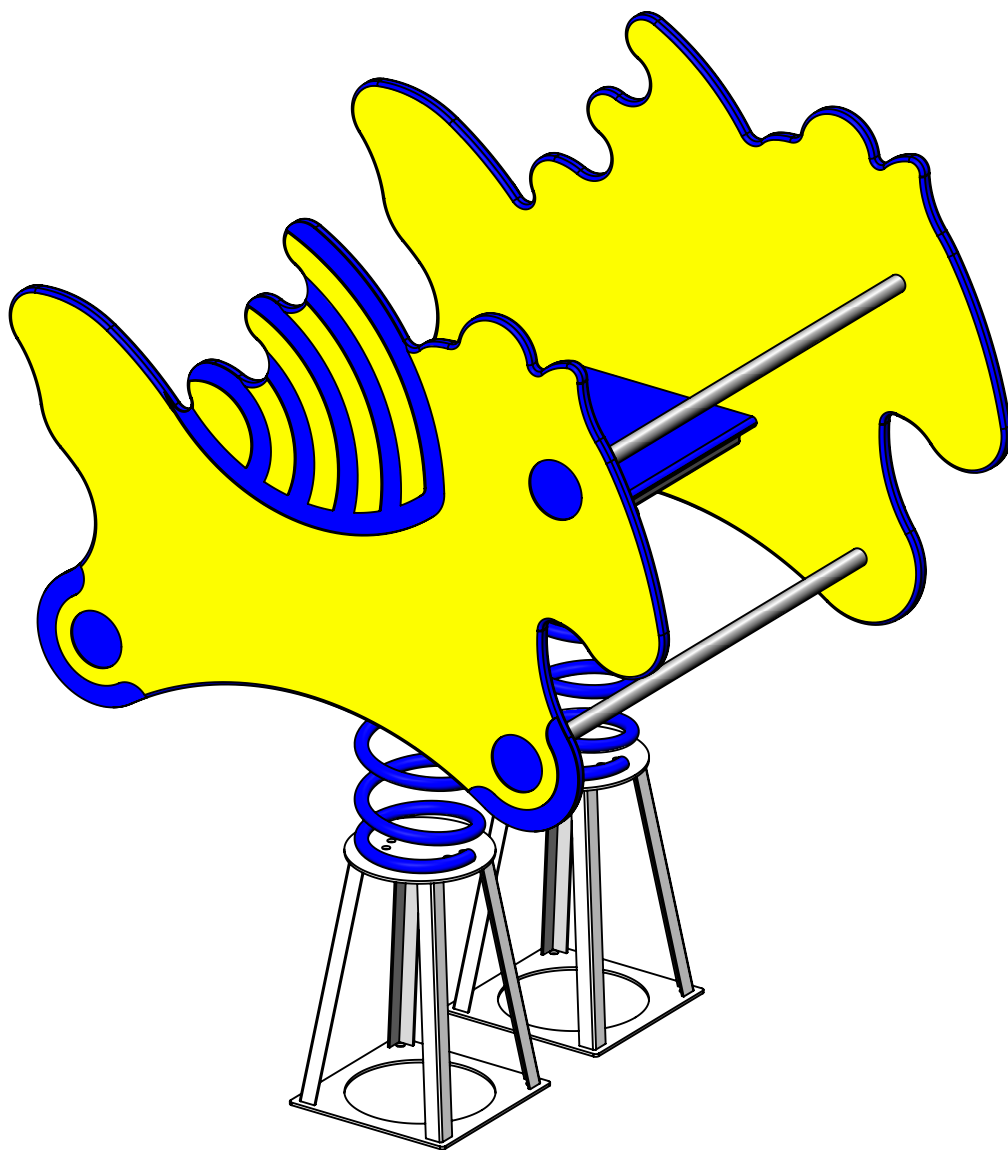
B

C

D

E

F



UNLESS OTHERWISE SPECIFIED:
DIMENSIONS ARE IN MILLIMETERS
WEIGHT ARE IN KILOGRAMM

PART NUMBER / DWG NO.:

VLI51

	NAME	SIGNATURE	DATE	REVISION
DRAWN	R.Fedotov		31.05.2016	
APPV'D				

DESCRIPTION:

Spring swing PEGASUS



Tiptaptap OÜ

Tiptaptap OÜ
Veetorni 9,
Jüri alevik, Rae vald,
75301 Harjumaa

MATERIAL:

metal, plastic

A4

WEIGHT:

SCALE: 1:10

SHEET 1 OF 4

Safety area

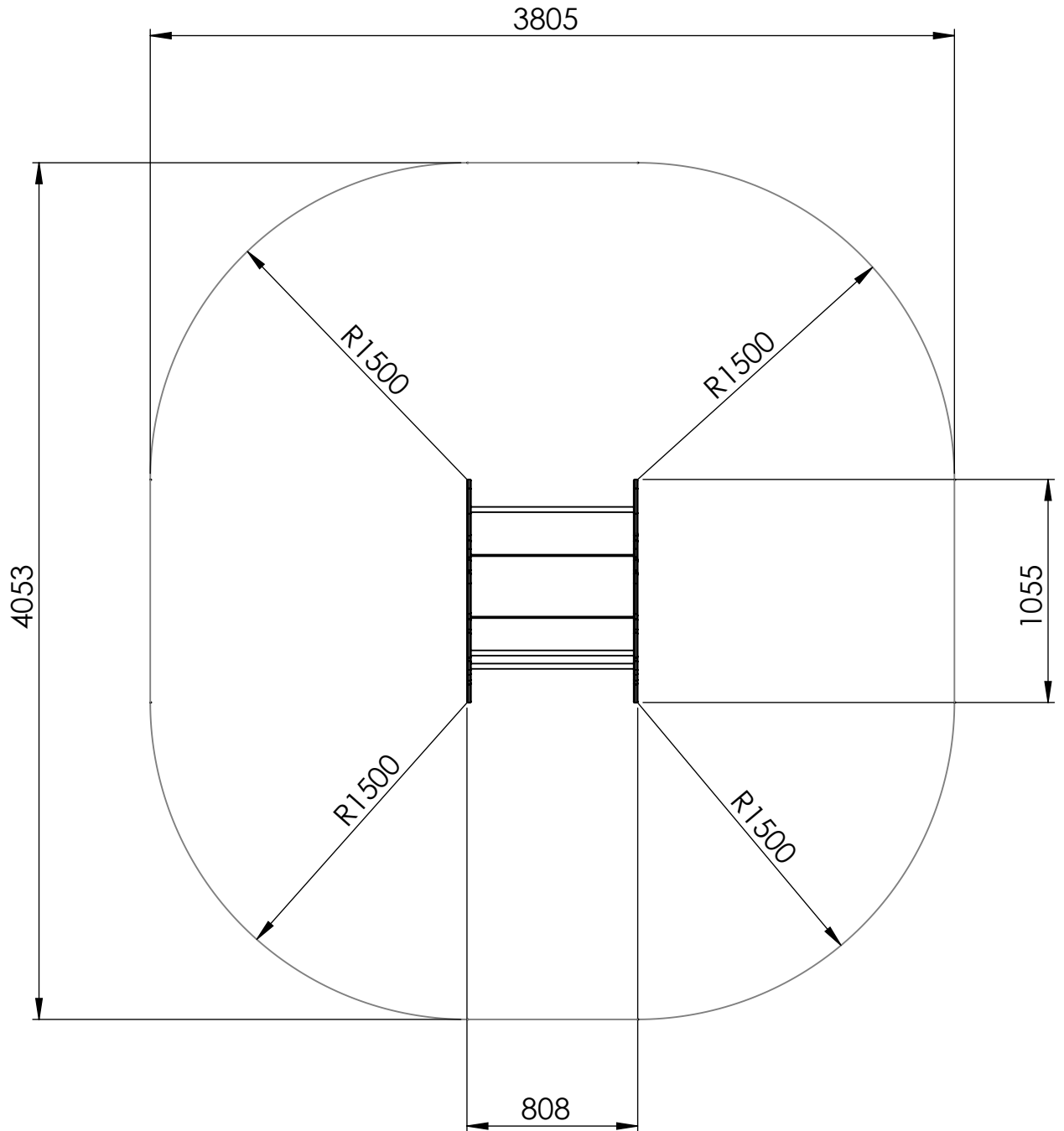
A

B

C

D

E



UNLESS OTHERWISE SPECIFIED:
DIMENSIONS ARE IN MILLIMETERS
WEIGHT ARE IN KILOGRAMM

PART NUMBER / DWG NO.:

VLI51

	NAME	SIGNATURE	DATE	REVISION
DRAWN	R.Fedotov		31.05.2016	
APPV'D				

DESCRIPTION:

Spring swing PEGASUS

F



Tiptaptap OÜ

Tiptaptap OÜ
Veetorni 9,
Jüri alevik, Rae vald,
75301 Harjumaa

MATERIAL:

metal, plastic

A4

WEIGHT:

SCALE: 1:30

SHEET 2 OF 4

A

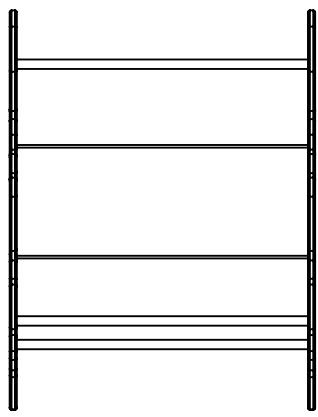
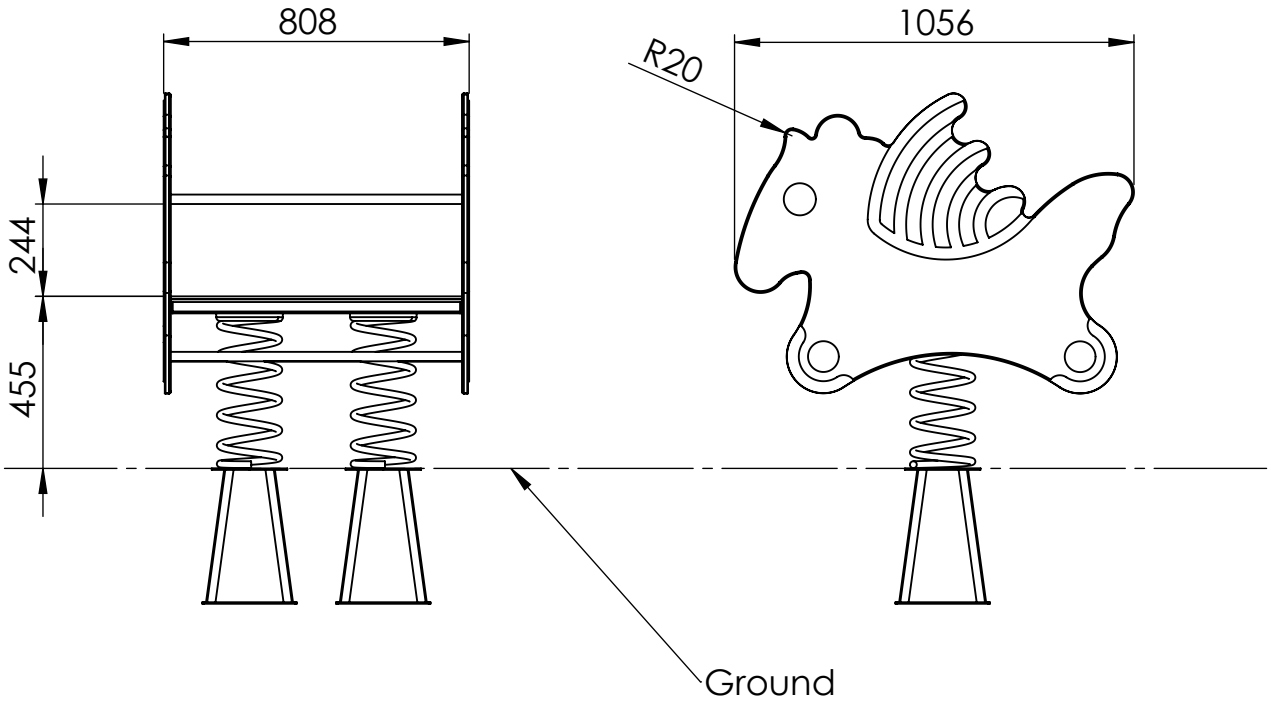
B

C

D

E

F



UNLESS OTHERWISE SPECIFIED:
DIMENSIONS ARE IN MILLIMETERS
WEIGHT ARE IN KILOGRAMM

	NAME	SIGNATURE	DATE	REVISION
DRAWN	R.Fedotov		31.05.2016	
APPV'D				

PART NUMBER / DWG NO.:	VLI51
DESCRIPTION:	Spring swing PEGASUS



Tiptaptap OÜ
Veetorni 9,
Jüri alevik, Rae vald,
75301 Harjumaa

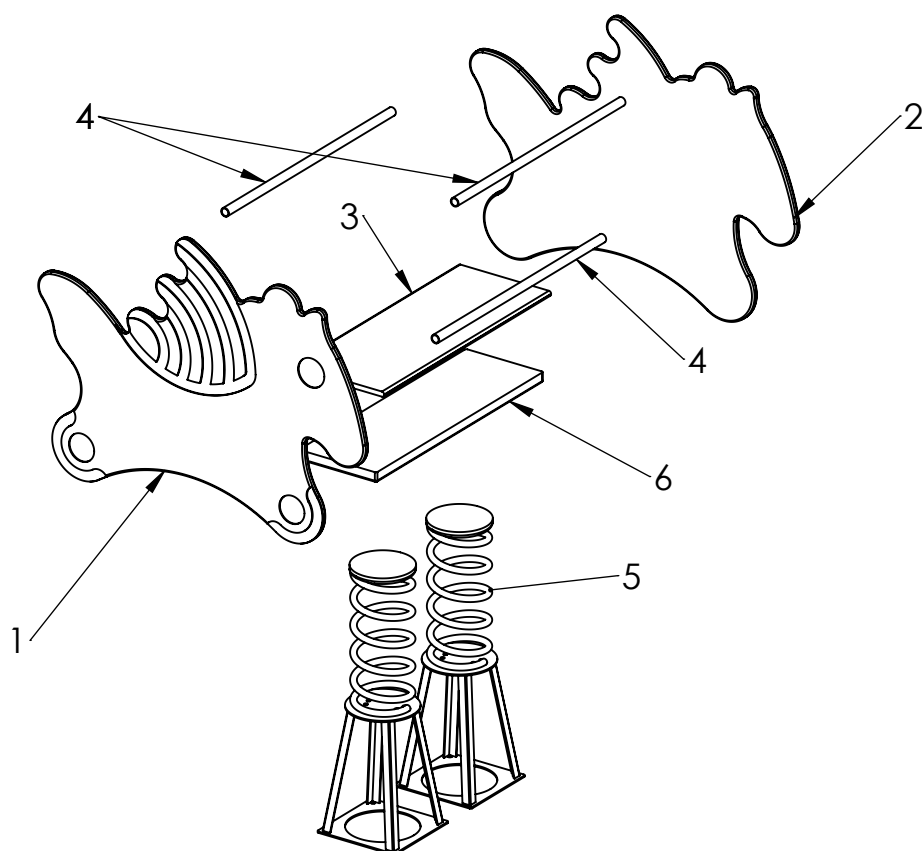
MATERIAL:	metal, plastic	A4
WEIGHT:	SCALE: 1:20	SHEET 3 OF 4

A

B

C

D



E

F

ITEM NO.	PART NUMBER	DESCRIPTION	Default/QTY.
1	Pegasus side (Right)	19mm PE Plastic	1
2	Pegasus side (Left)	19mm PE Plastic	1
3	seat plate	PE Plastic	1
4	handrail	Steel (painted)	3
5	Spring	Steel (painted)	2
6	Seat Frame	galvanized steel	1
7	ground fixing	galvanized steel	2

UNLESS OTHERWISE SPECIFIED:
DIMENSIONS ARE IN MILLIMETERS
WEIGHT ARE IN KILOGRAMM

PART NUMBER / DWG NO.:

VLI51

	NAME	SIGNATURE	DATE	REVISION
DRAWN	R.Fedotov		31.05.2016	
APPV'D				

DESCRIPTION:

Spring swing PEGASUS

MATERIAL:

metal, plastic

A4

WEIGHT:

SCALE: 1:20

SHEET 4 OF 4



Tiptiptap OÜ

Tiptiptap OÜ
Veetorni 9,
Jüri alevik, Rae vald,
75301 Harjumaa