

A

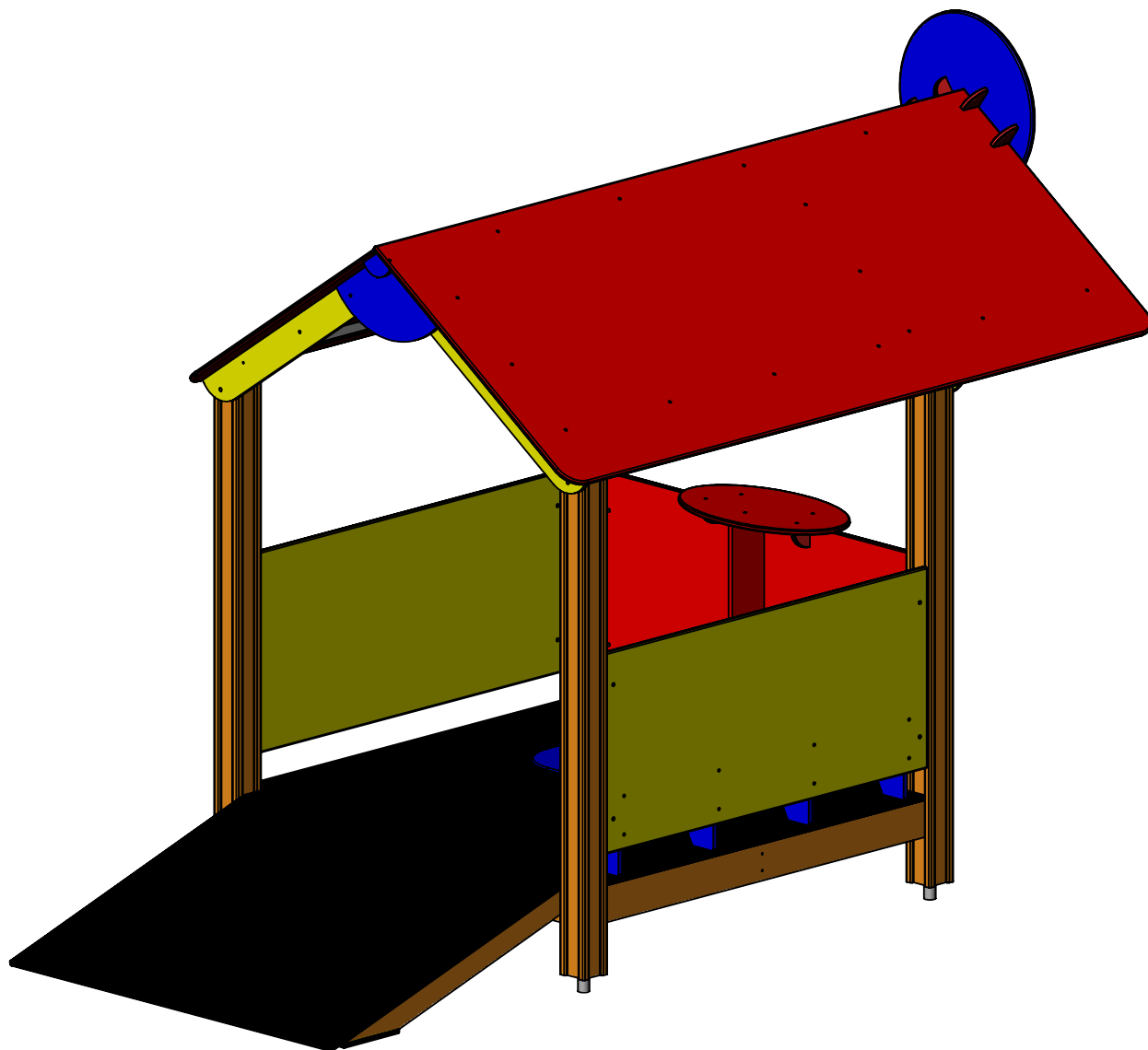
B

C

D

E

F



UNLESS OTHERWISE SPECIFIED:
DIMENSIONS ARE IN MILLIMETERS
WEIGHT ARE IN KILOGRAMM

PART NUMBER / DWG NO.:

MM402

	NAME	SIGNATURE	DATE	REVISION
DRAWN	I.Agar		30.10.2020	
APPV'D				

DESCRIPTION:

Playhouse with slope Buffet 3



Tiptiptap OÜ

Tiptiptap OÜ
Veetorni 9,
Jüri alevik, Rae vald,
75301 Harjumaa

MATERIAL:

wood, metal, plastic

A4

WEIGHT:

SCALE: 1:20

SHEET 1 OF 17

Safety area

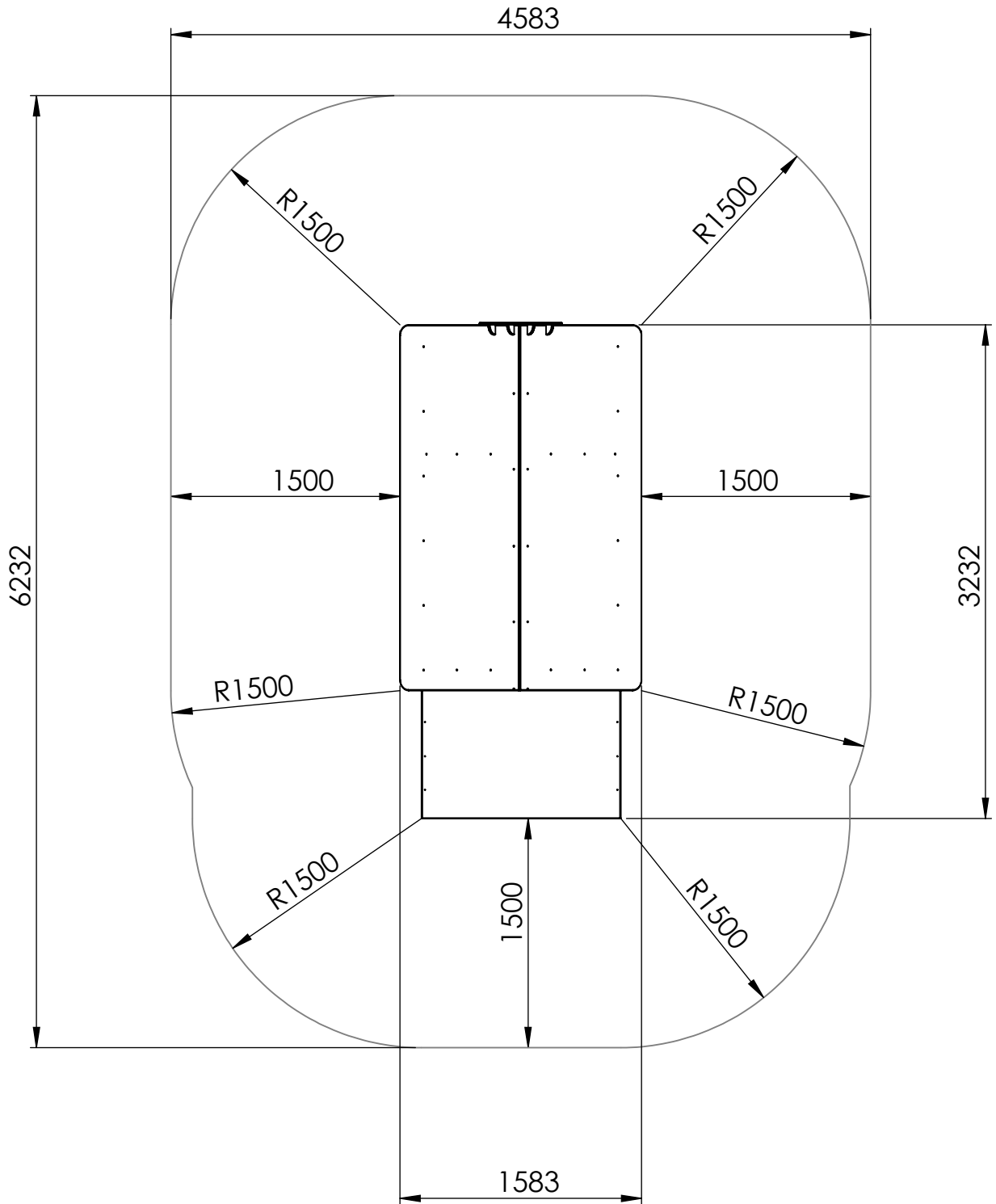
A

B

C

D

E



UNLESS OTHERWISE SPECIFIED:
DIMENSIONS ARE IN MILLIMETERS
WEIGHT ARE IN KILOGRAMM

PART NUMBER / DWG NO.:

MM402

	NAME	SIGNATURE	DATE	REVISION
DRAWN	I.Agar		30.10.2020	
APPV'D				

DESCRIPTION:

Playhouse with slope Buffet 3

F



Tiptiptap OÜ

Tiptiptap OÜ
Veetorni 9,
Jüri alevik, Rae vald,
75301 Harjumaa

MATERIAL:

wood, metal, plastic

A4

WEIGHT:

SCALE: 1:40

SHEET 2 OF 17

Foundation

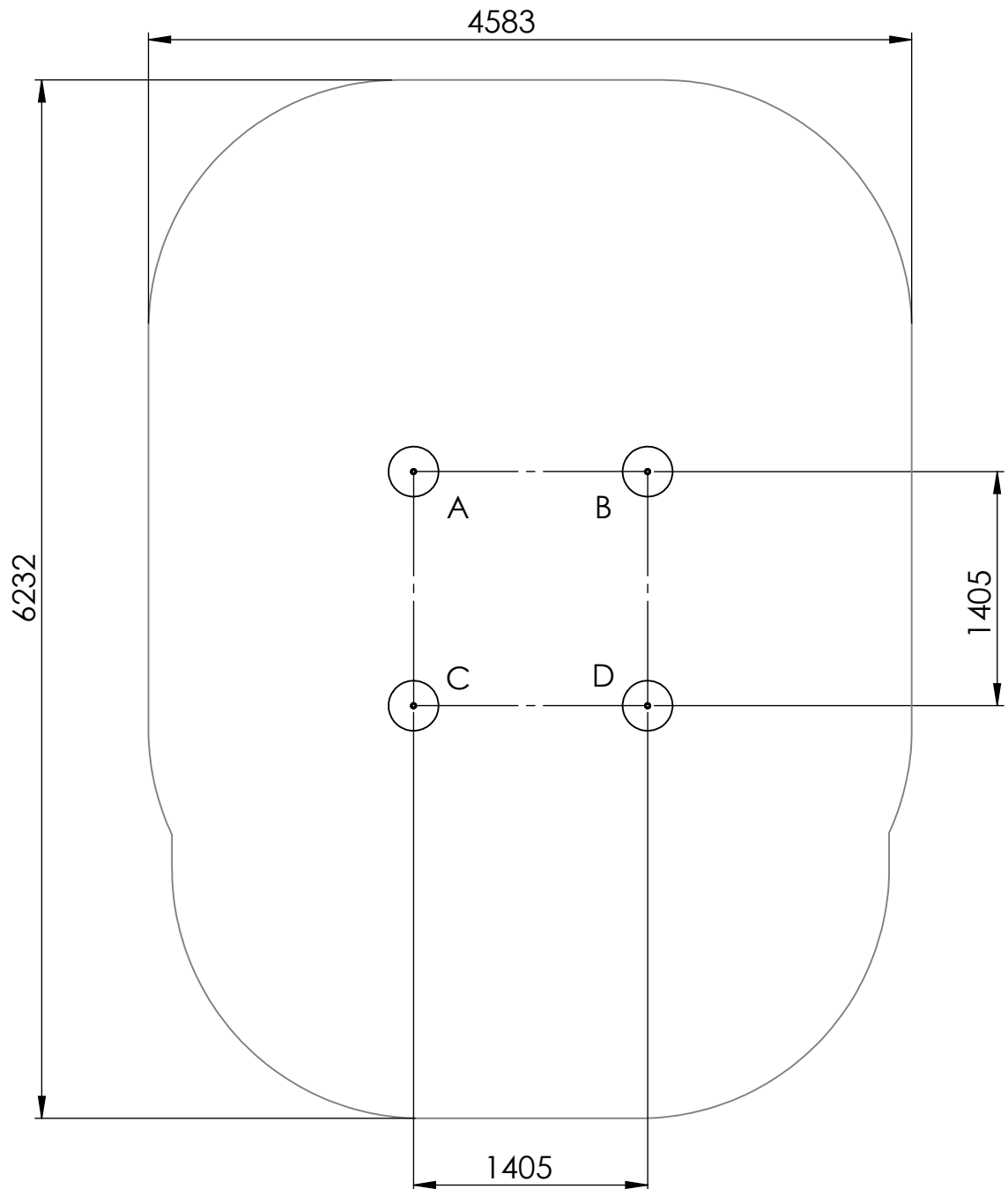
A

B

C

D

E



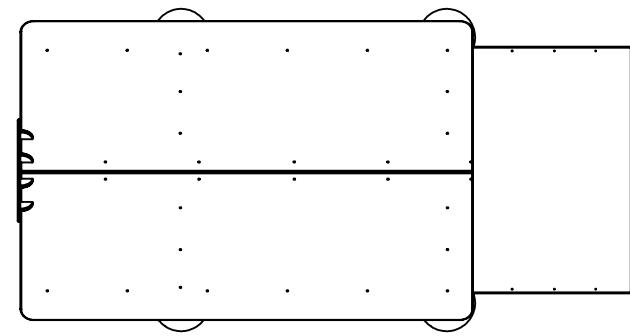
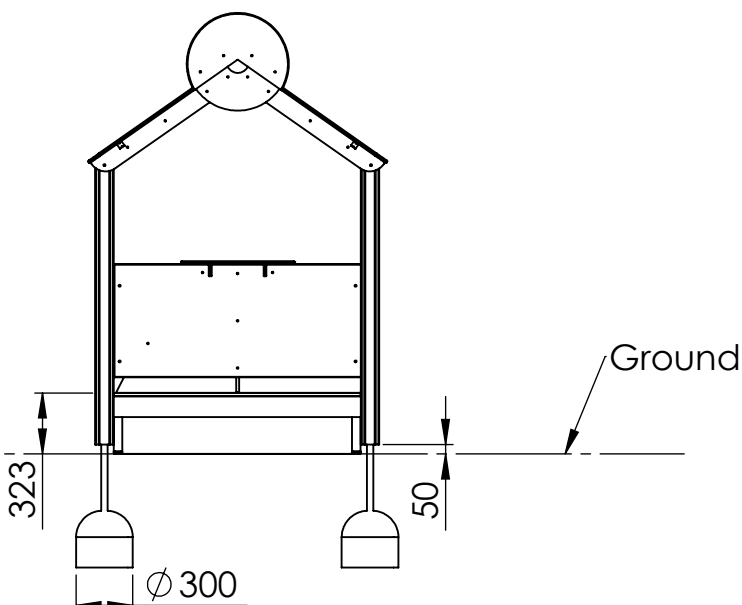
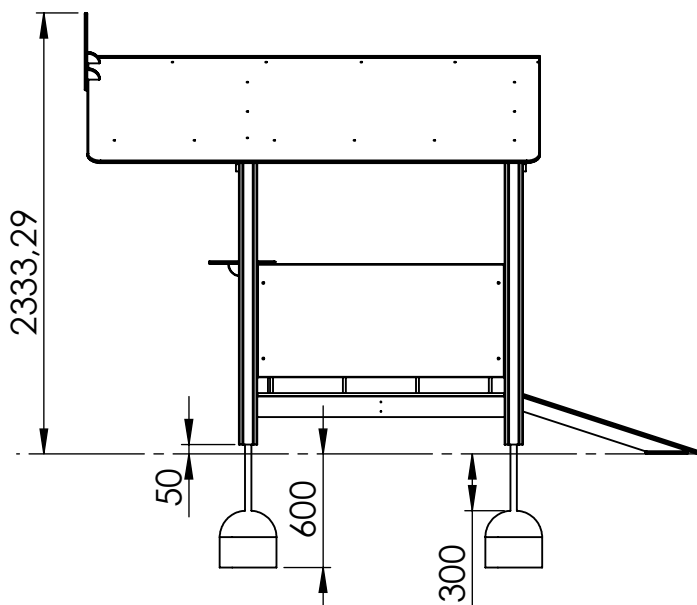
UNLESS OTHERWISE SPECIFIED: DIMENSIONS ARE IN MILLIMETERS WEIGHT ARE IN KILOGRAMM				
	NAME	SIGNATURE	DATE	REVISION
DRAWN	I.Agar		30.10.2020	
APPV'D				


PART NUMBER / DWG NO.:
MM402

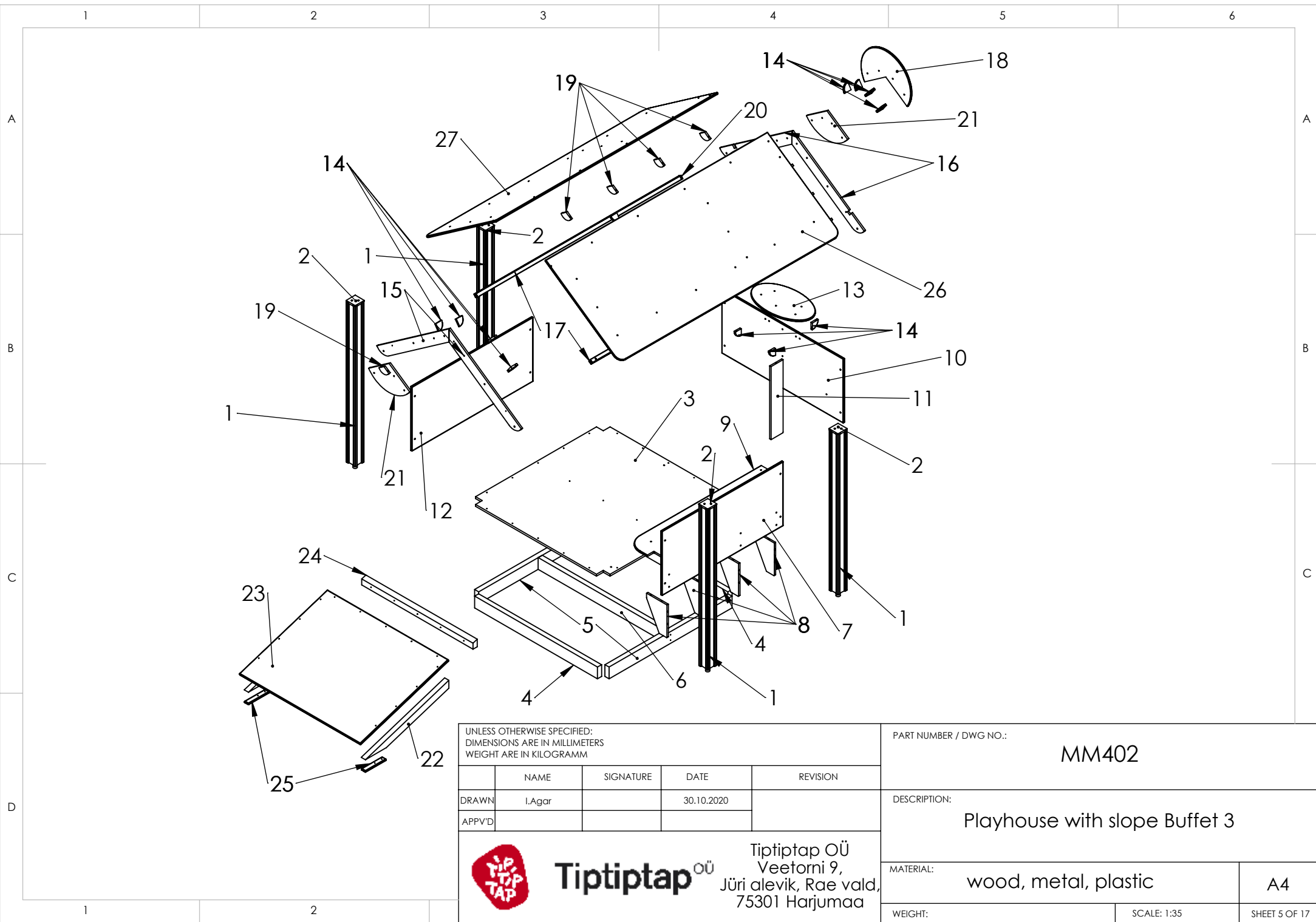
DESCRIPTION:
Playhouse with slope Buffet 3


Tiptaptap OÜ
 Veetorni 9,
 Jüri alevik, Rae vald,
 75301 Harjumaa

MATERIAL:	wood, metal, plastic	A4
WEIGHT:	SCALE: 1:40	SHEET 3 OF 17



UNLESS OTHERWISE SPECIFIED: DIMENSIONS ARE IN MILLIMETERS WEIGHT ARE IN KILOGRAMM					PART NUMBER / DWG NO.: MM402	
	NAME	SIGNATURE	DATE	REVISION	DESCRIPTION: Playhouse with slope Buffet 3	
DRAWN	I.Agar		30.10.2020			
APPV'D						
 Tiptaptap OÜ Tiptaptap OÜ Veetorni 9, Jüri alevik, Rae vald, 75301 Harjumaa					MATERIAL:	wood, metal, plastic
					WEIGHT:	




UNLESS OTHERWISE SPECIFIED:
 DIMENSIONS ARE IN MILLIMETERS
 WEIGHT ARE IN KILOGRAMM

	NAME	SIGNATURE	DATE	REVISION
DRAWN	I.Agar		30.10.2020	
APPV'D				


Tiptap OÜ
 Tiptap OÜ
 Veetorni 9,
 Jüri alevik, Rae vald,
 75301 Harjumaa

PART NUMBER / DWG NO.:		MM402	
DESCRIPTION:			
Playhouse with slope Buffet 3			
MATERIAL:		wood, metal, plastic	A4
WEIGHT:		SCALE: 1:35	SHEET 5 OF 17

	1	2	3	4
	ITEM NO.	PART NUMBER	DESCRIPTION	QTY.
A	1	post 98x98x1500	laminated wood	4
	2	Plastic cap	PE plastic	4
	3	MM402 floor	Laminated plywood	1
	4	MM402 45x110x1325 floor beam	laminated wood	2
	5	MM402 45x110x1325 floor beam with 5mm holes	laminated wood	2
B	6	MM402 45x110x1360 floor beam	laminated wood	1
	7	MM402 panel with seat	HDPE plastic	1
	8	MM402 seat corner	HDPE plastic	4
	9	MM402 seat	HDPE plastic	1
C	10	MM402 panel with tabel	HDPE plastic	1
	11	MM402 table leg	HDPE plastic	1
	12	MM402 panel	HDPE plastic	1
	13	MM402 table	HDPE plastic	1
	14	plastic corner 90°	HDPE plastic	19
	15	MM402 rafter	HDPE plastic	2
	16	MM402 rafter with cut in	HDPE plastic	2
D	17	MM402 Aluminium 30x30	Aluminium	2
	18	MM402 roof circle	HDPE plastic	1
	19	MM402 roof corner	HDPE plastic	5
	20	Plastic cap for alu 30x30	HDPE plastic	2
	21	rafter mounting plate	HDPE plastic	2
	22	MM402 ramp beam 45x70x946	laminated wood	2
	23	MM402 ramp	plywood	1
E	24	MM402 45x70x1200 beam	laminated wood	1
	25	MM402 ramp beam plastic	HDPE plastic	2
	26	MM402 roof bigger	HDPE plastic	1
	27	MM402 roof smaller	HDPE plastic	1
F	UNLESS OTHERWISE SPECIFIED: DIMENSIONS ARE IN MILLIMETERS WEIGHT ARE IN KILOGRAMM		PART NUMBER / DWG NO.: MM402	
	NAME	SIGNATURE	DATE	REVISION
	DRAWN I.Agar		30.10.2020	
	APPV'D			
 Tiptiptap OÜ Veetorni 9, Jüri alevik, Rae vald, 75301 Harjumaa		DESCRIPTION: Playhouse with slope Buffet 3		
		MATERIAL: wood, metal, plastic	A4	
		WEIGHT:	SCALE: 1:35	SHEET 6 OF 17

A

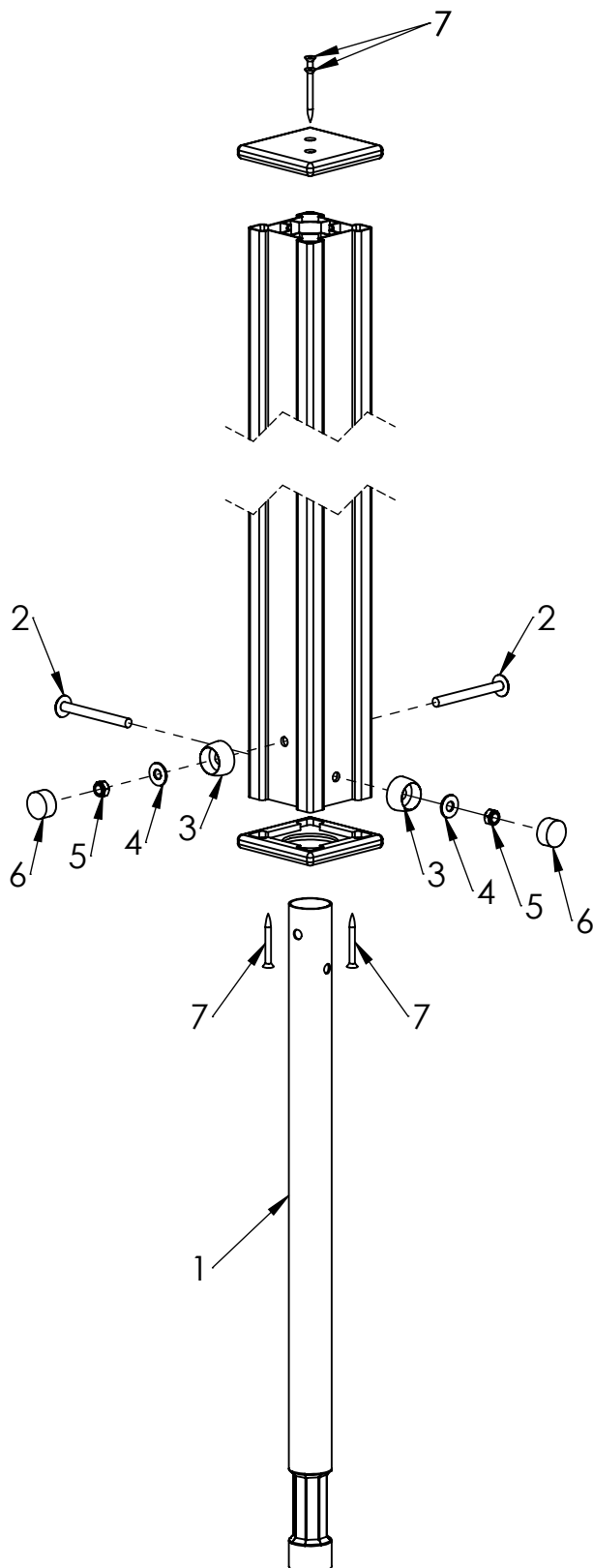
B

C

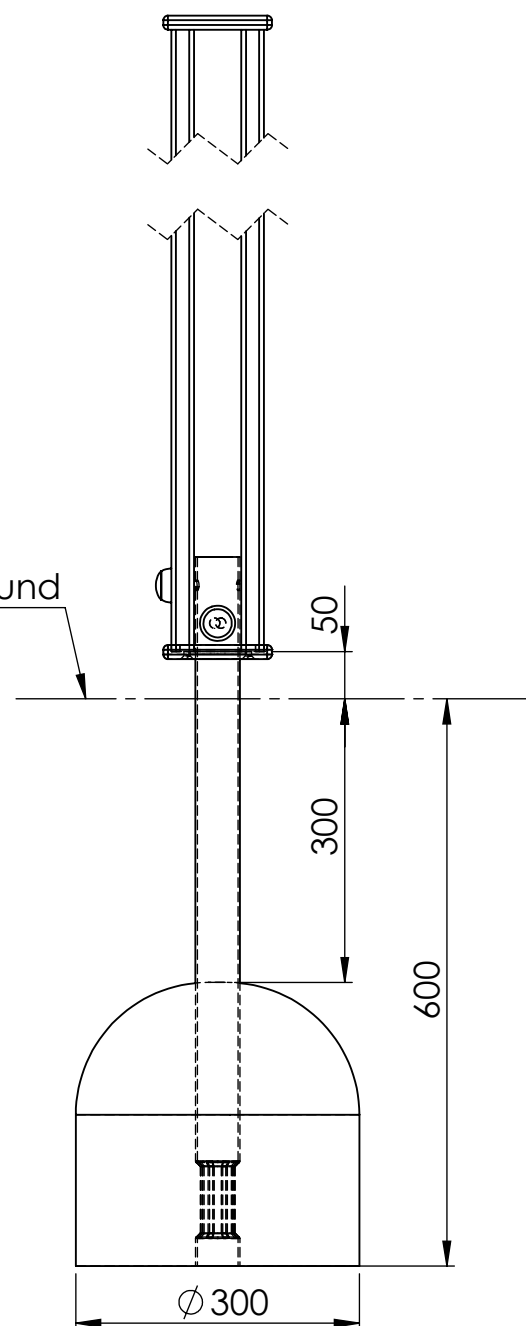
D

E

F



Ground



ITEM NO.	PART NUMBER
1	metal ground fixing L_750
2	bolt DIN603 M10x100
3	nut cover M12
4	Washer M10 DIN9054
5	nut DIN985 M10
6	nut cover cap M12
7	woodscrew 6x60

UNLESS OTHERWISE SPECIFIED:
DIMENSIONS ARE IN MILLIMETERS
WEIGHT ARE IN KILOGRAMM

PART NUMBER / DWG NO.:

MM402

	NAME	SIGNATURE	DATE	REVISION
DRAWN	I.Agar		30.10.2020	
APPV'D				

DESCRIPTION:

Playhouse with slope Buffet 3
connecting metal ground fixing to aluminium post

MATERIAL:

wood, metal, plastic

A4

WEIGHT:

SCALE: 1:8

SHEET 7 OF 17



Tiptiptap OÜ

Tiptiptap OÜ
Veetorni 9,
Jüri alevik, Rae vald,
75301 Harjumaa

A

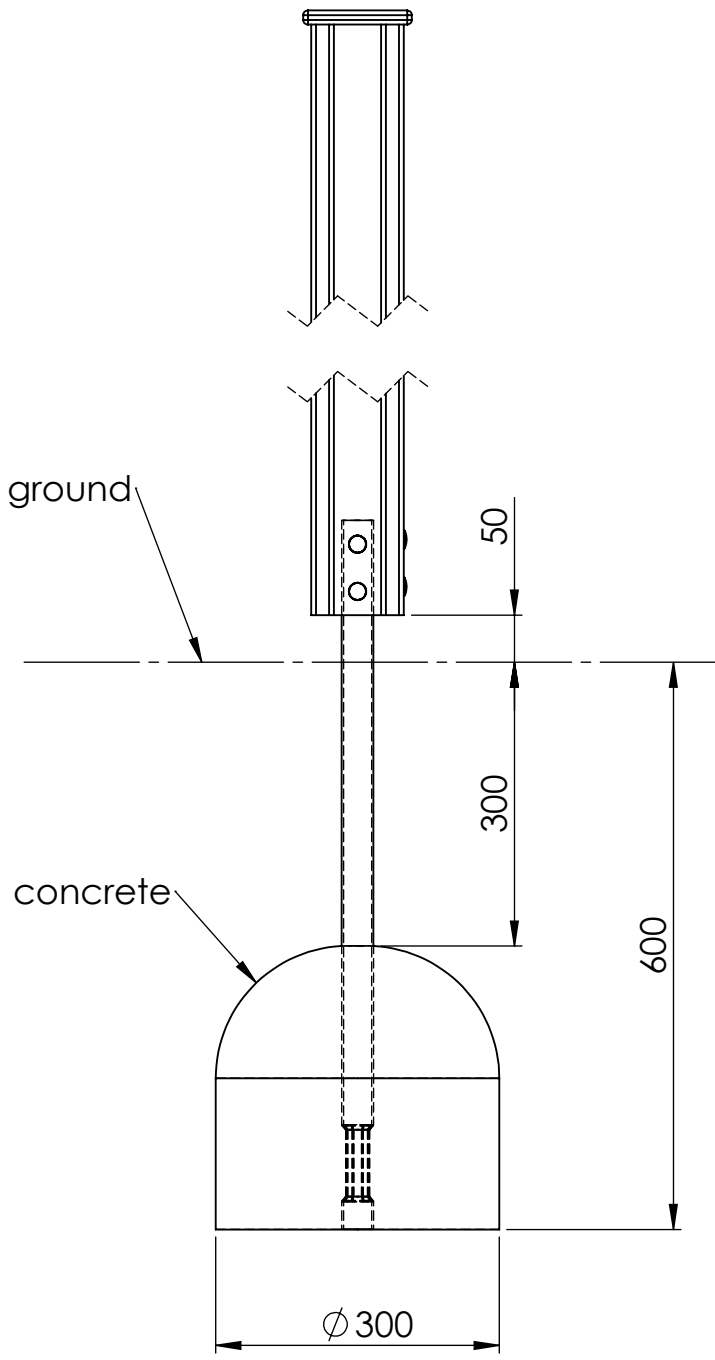
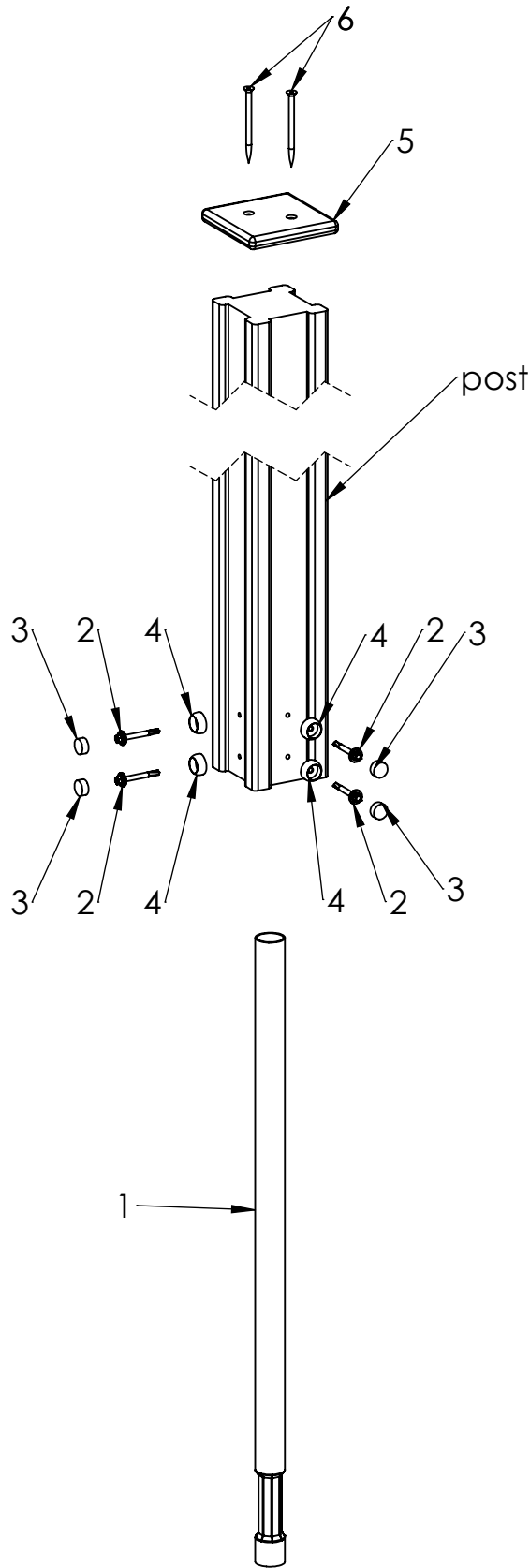
B

C

D

E

F



ITEM NO.	PART NUMBER
1	metal ground fixing L_750
2	screw DIN7504K 5,5x50
3	nut cover cap M6
4	nut cover M6
5	plastic cap 115x115
6	woodscrew 6 x 90

UNLESS OTHERWISE SPECIFIED: DIMENSIONS ARE IN MILLIMETERS WEIGHT ARE IN KILOGRAMM				
	NAME	SIGNATURE	DATE	REVISION
DRAWN	I.Agar		30.10.2020	
APPV'D				

PART NUMBER / DWG NO.:
MM402

DESCRIPTION:
**Playhouse with slope Buffet 3
connecting metal ground fixing to post**



Tiptiptap OÜ

Tiptiptap OÜ
Veetorni 9,
Jüri alevik, Rae vald,
75301 Harjumaa

MATERIAL:	wood, metal, plastic	A4
WEIGHT:	SCALE: 1:8	SHEET 8 OF 17

A

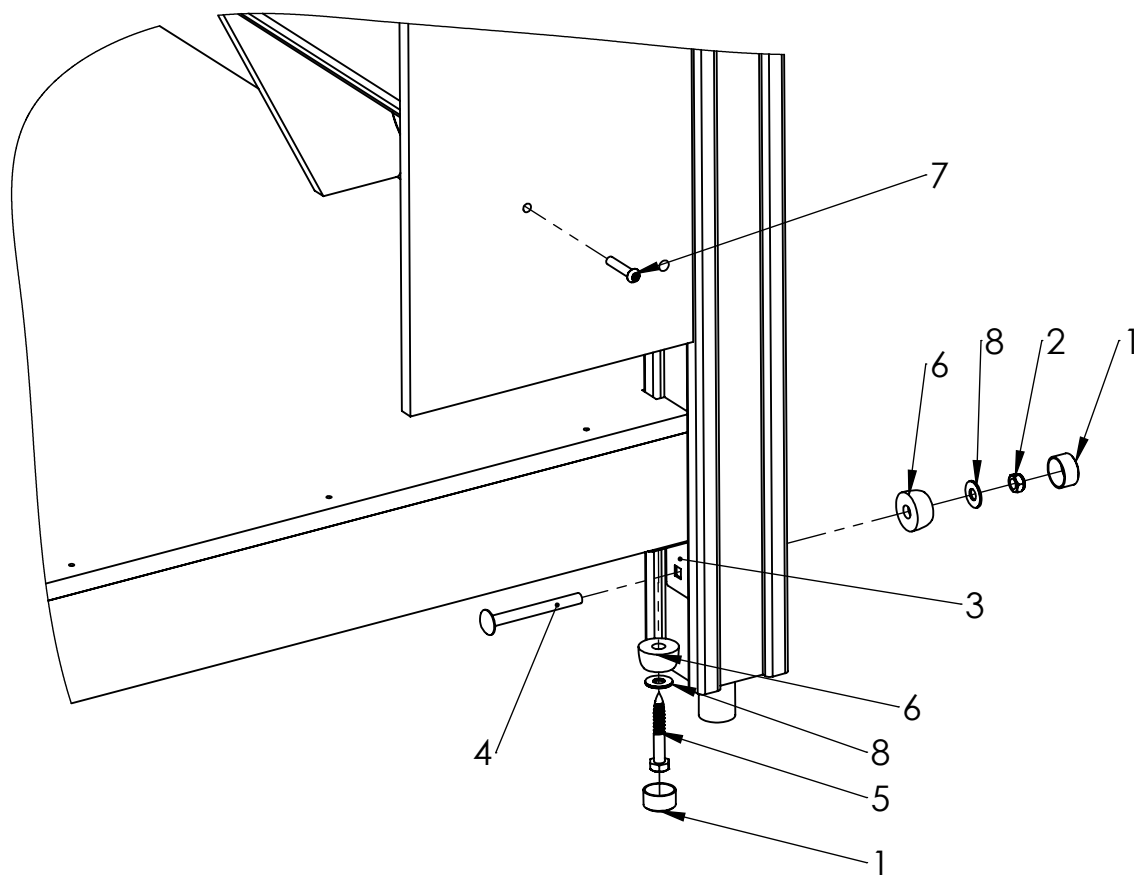
B

C

D

E

F



ITEM NO.	PART NUMBER
1	nut cover cap M12
2	nut DIN985 M10
3	Corner 90° (45x60)
4	bolt DIN603 M10x100
5	wood screw DIN571 10x70
6	nut cover M12
7	Art. 9121 TX-PIN M8x40
8	Washer M10 DIN9054

UNLESS OTHERWISE SPECIFIED:
DIMENSIONS ARE IN MILLIMETERS
WEIGHT ARE IN KILOGRAMM

PART NUMBER / DWG NO.:

MM402

	NAME	SIGNATURE	DATE	REVISION
DRAWN	I.Agar		30.10.2020	
APPV'D				

DESCRIPTION:

Playhouse with slope Buffet 3

MATERIAL:

wood, metal, plastic

A4

WEIGHT:

SCALE: 1:7

SHEET 9 OF 17



Tiptiptap OÜ

Tiptiptap OÜ
Veetorni 9,
Jüri alevik, Rae vald,
75301 Harjumaa

A

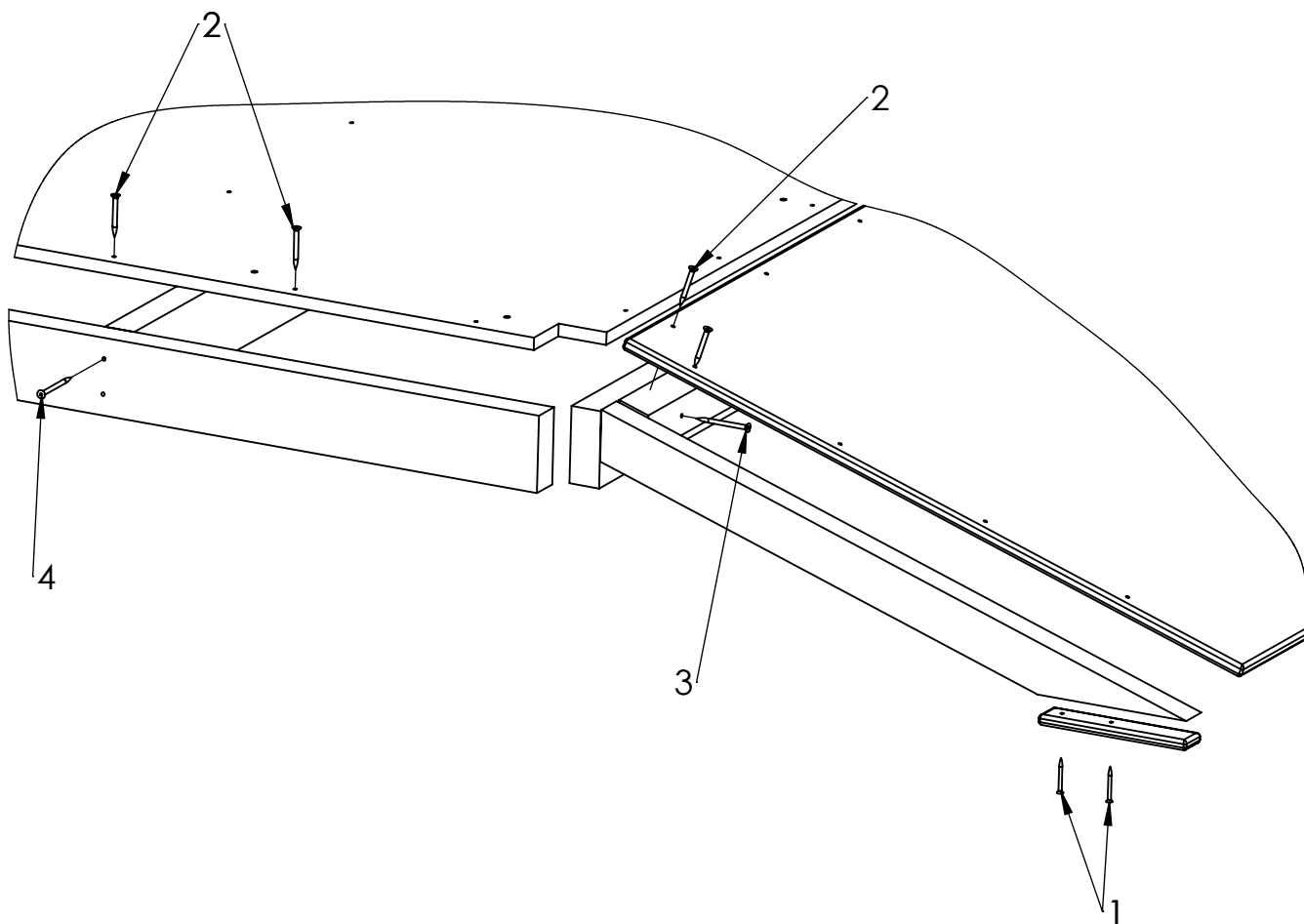
B

C

D

E

F



ITEM NO.	PART NUMBER
1	woodscrew 4,5 x 50
2	woodscrew 6x60
3	woodscrew 6x80
4	Woodscrew 6 x 90

UNLESS OTHERWISE SPECIFIED:
DIMENSIONS ARE IN MILLIMETERS
WEIGHT ARE IN KILOGRAMM

PART NUMBER / DWG NO.:

MM402

	NAME	SIGNATURE	DATE	REVISION
DRAWN	I.Agar		30.10.2020	
APPV'D				

DESCRIPTION:

Playhouse with slope Buffet 3

MATERIAL:

wood, metal, plastic

A4

WEIGHT:

SCALE: 1:10

SHEET 10 OF 17



Tiptiptap OÜ

Tiptiptap OÜ
Veetorni 9,
Jüri alevik, Rae vald,
75301 Harjumaa

A

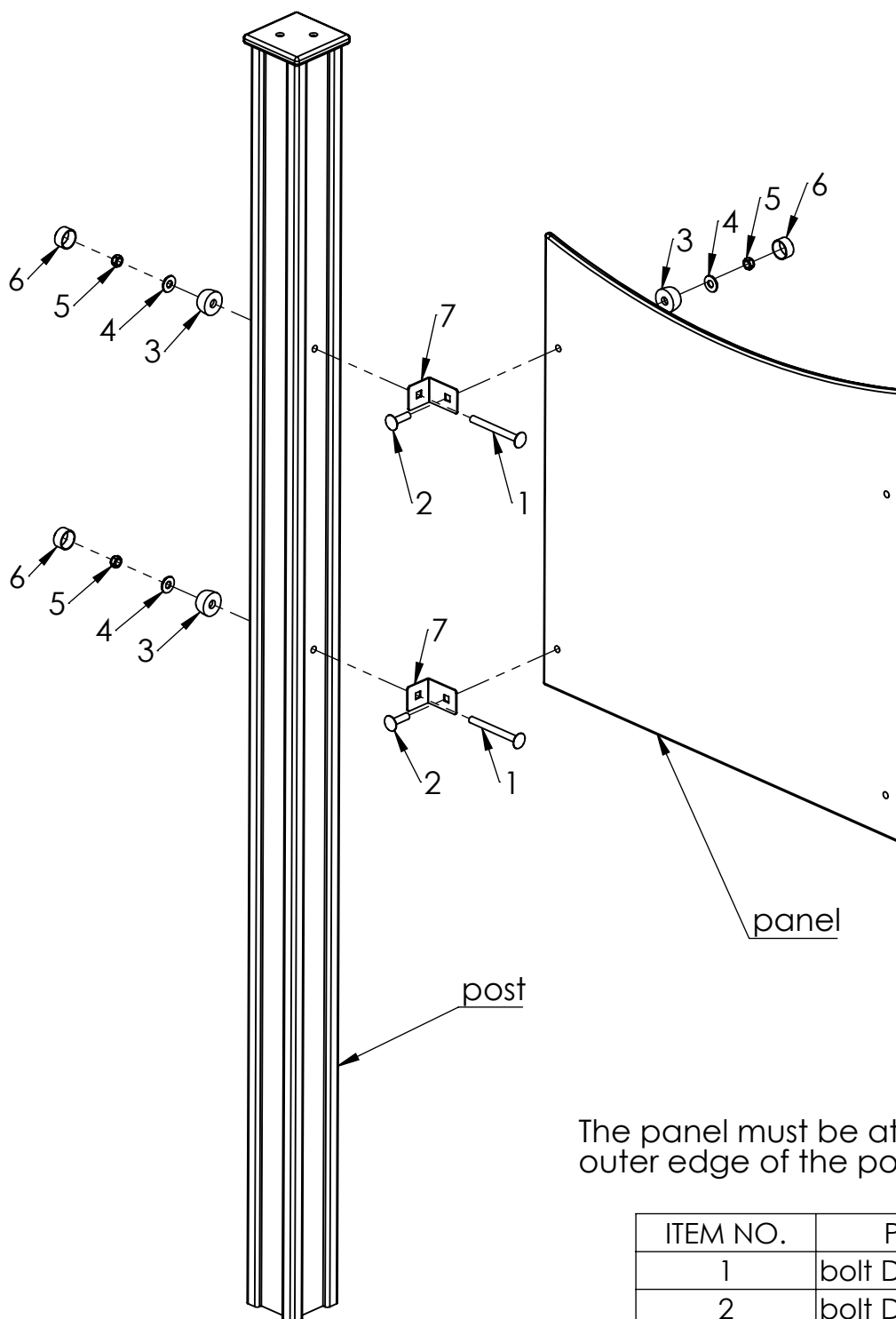
B

C

D

E

F



The panel must be attached to the outer edge of the post !!!

ITEM NO.	PART NUMBER
1	bolt DIN603 M10x100
2	bolt DIN603 M10x35
3	nut cover M12
4	Washer M10 DIN9054
5	nut DIN985 M10
6	nut cover cap M12
7	Corner 90° (45x60)

UNLESS OTHERWISE SPECIFIED:
DIMENSIONS ARE IN MILLIMETERS
WEIGHT ARE IN KILOGRAMM

PART NUMBER / DWG NO.:

MM402

	NAME	SIGNATURE	DATE	REVISION
DRAWN	I.Agar		30.10.2020	
APPV'D				

DESCRIPTION:

Playhouse with slope Buffet 3
connecting panel to post

MATERIAL:

wood, metal, plastic

A4

WEIGHT:

SCALE: 1:10

SHEET 11 OF 17



Tiptaptap OÜ

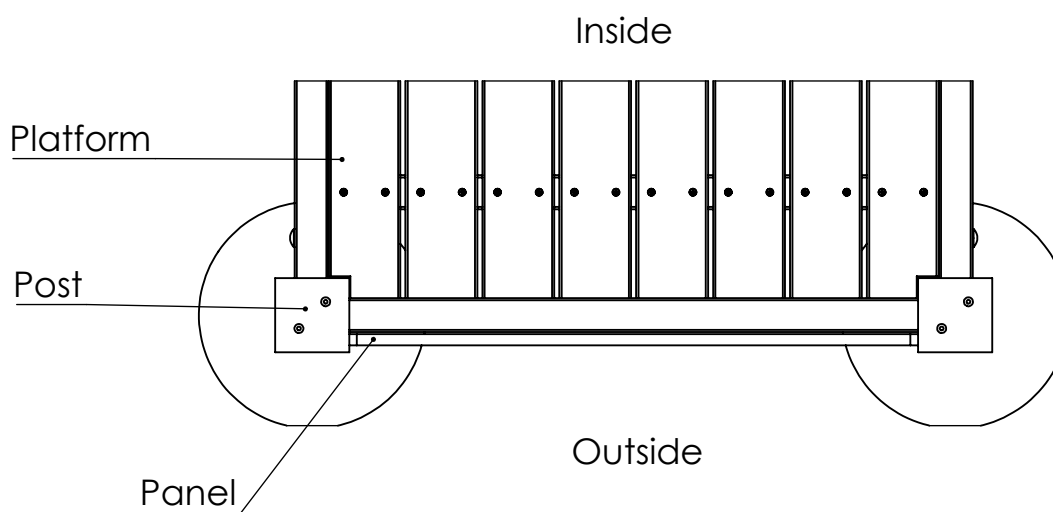
Tiptaptap OÜ
Veetorni 9,
Jüri alevik, Rae vald,
75301 Harjumaa

A

B

The panel must be installed on the post as shown in the picture!

C



D

E

F

UNLESS OTHERWISE SPECIFIED:
DIMENSIONS ARE IN MILLIMETERS
WEIGHT ARE IN KILOGRAMM

PART NUMBER / DWG NO.:

MM402

	NAME	SIGNATURE	DATE	REVISION
DRAWN	I.Agar		30.10.2020	
APPV'D				

DESCRIPTION:

Playhouse with slope Buffet 3
connecting panel to post

MATERIAL:

wood, metal, plastic

A4

WEIGHT:

SCALE: 1:10

SHEET 12 OF 17



Tiptiptap OÜ

Tiptiptap OÜ
Veetorni 9,
Jüri alevik, Rae vald,
75301 Harjumaa

A

M8x40 PP DIN7991

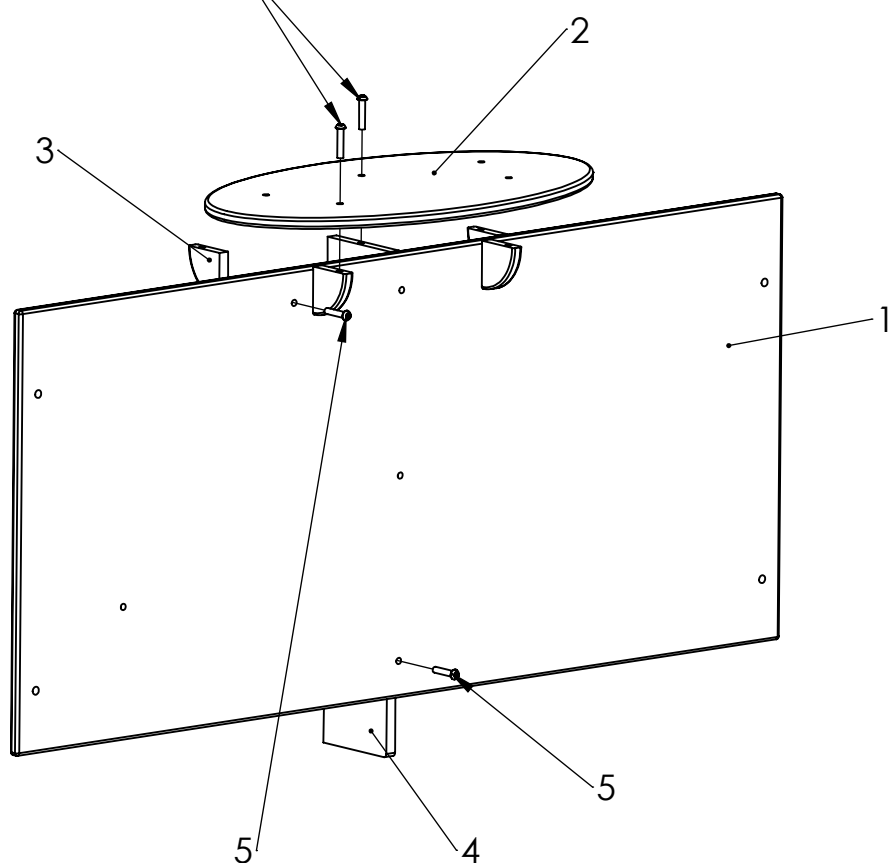
B

C

D

E

F



ITEM NO.	PART NUMBER
1	MM402 table panel
2	MM402 table
3	plastic corner 90°
4	MM402 table panel plastic
5	Art. 9121 TX-PIN M8x40

UNLESS OTHERWISE SPECIFIED:
DIMENSIONS ARE IN MILLIMETERS
WEIGHT ARE IN KILOGRAMM

PART NUMBER / DWG NO.:

MM402

	NAME	SIGNATURE	DATE	REVISION
DRAWN	I.Agar		30.10.2020	
APPV'D				

DESCRIPTION:

Playhouse with slope Buffet 3

MATERIAL:

wood, metal, plastic

A4

WEIGHT:

SCALE: 1:10

SHEET 13 OF 17



Tiptaptap OÜ

Tiptaptap OÜ
Veetorni 9,
Jüri alevik, Rae vald,
75301 Harjumaa

A

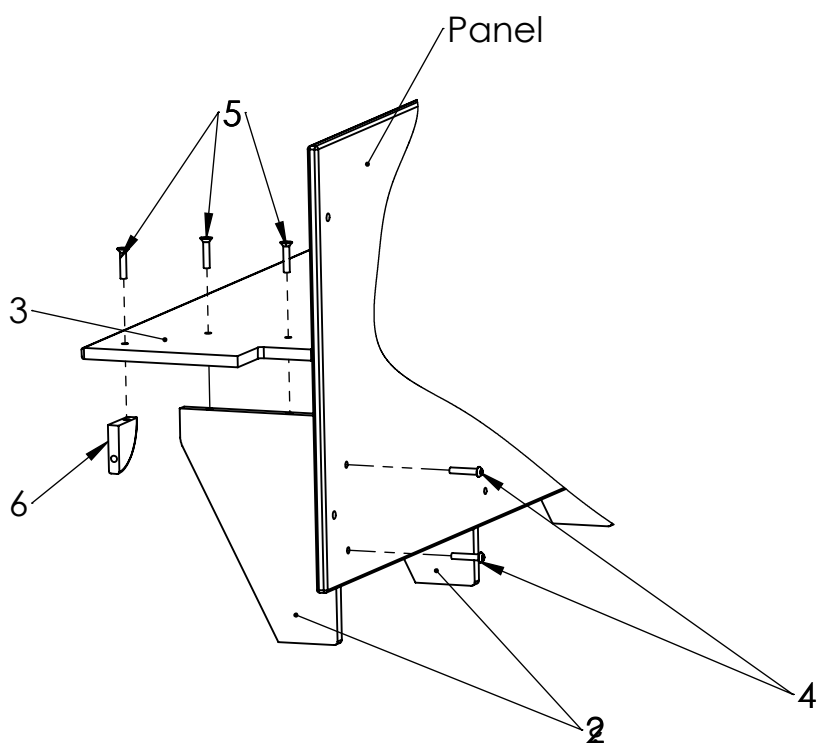
B

C

D

E

F



ITEM NO.	PART NUMBER
1	MM402 seat panel
2	MM402 seat corner
3	MM402 seat
4	Art. 9121 TX-PIN M8x40
5	M8x40 DIN7991
6	plastic corner 90°

UNLESS OTHERWISE SPECIFIED:
DIMENSIONS ARE IN MILLIMETERS
WEIGHT ARE IN KILOGRAMM

PART NUMBER / DWG NO.:

MM402

	NAME	SIGNATURE	DATE	REVISION
DRAWN	I.Agar		30.10.2020	
APPV'D				

DESCRIPTION:

Playhouse with slope Buffet 3



Tiptaptap OÜ

Tiptaptap OÜ
Veetorni 9,
Jüri alevik, Rae vald,
75301 Harjumaa

MATERIAL:

wood, metal, plastic

A4

WEIGHT:

SCALE: 1:10

SHEET 14 OF 17

A

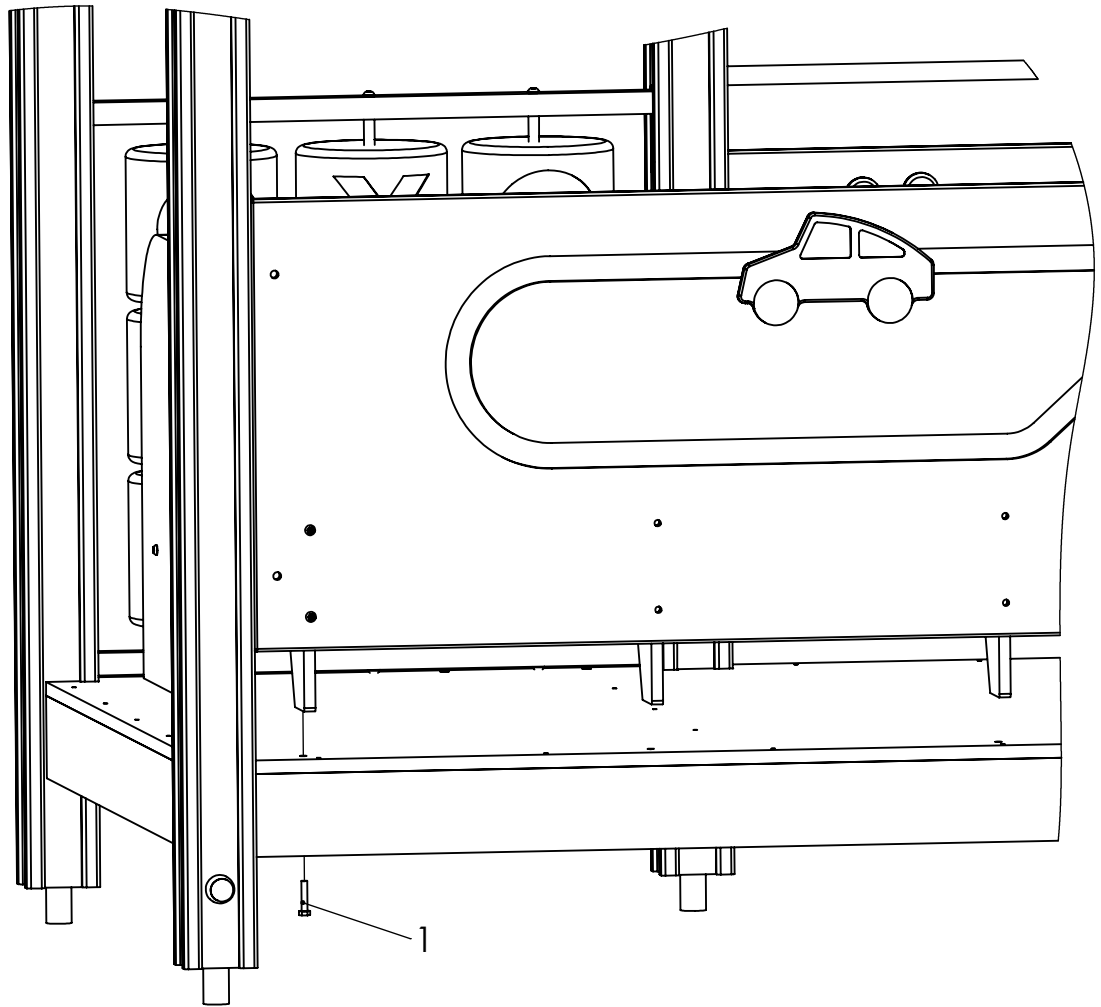
B

C

D

E

F



ITEM NO.	PART NUMBER
1	bolt DIN931 M8x40

UNLESS OTHERWISE SPECIFIED:
 DIMENSIONS ARE IN MILLIMETERS
 WEIGHT ARE IN KILOGRAMM

PART NUMBER / DWG NO.:	MM402
------------------------	-------

	NAME	SIGNATURE	DATE	REVISION
DRAWN	I.Agar		30.10.2020	
APPV'D				

DESCRIPTION:	Playhouse with slope Buffet 3
--------------	-------------------------------



Tiptiptap OÜ
 Veetorni 9,
 Jüri alevik, Rae vald,
 75301 Harjumaa

MATERIAL:	wood, metal, plastic	A4
WEIGHT:	SCALE: 1:10	SHEET 15 OF 17

A

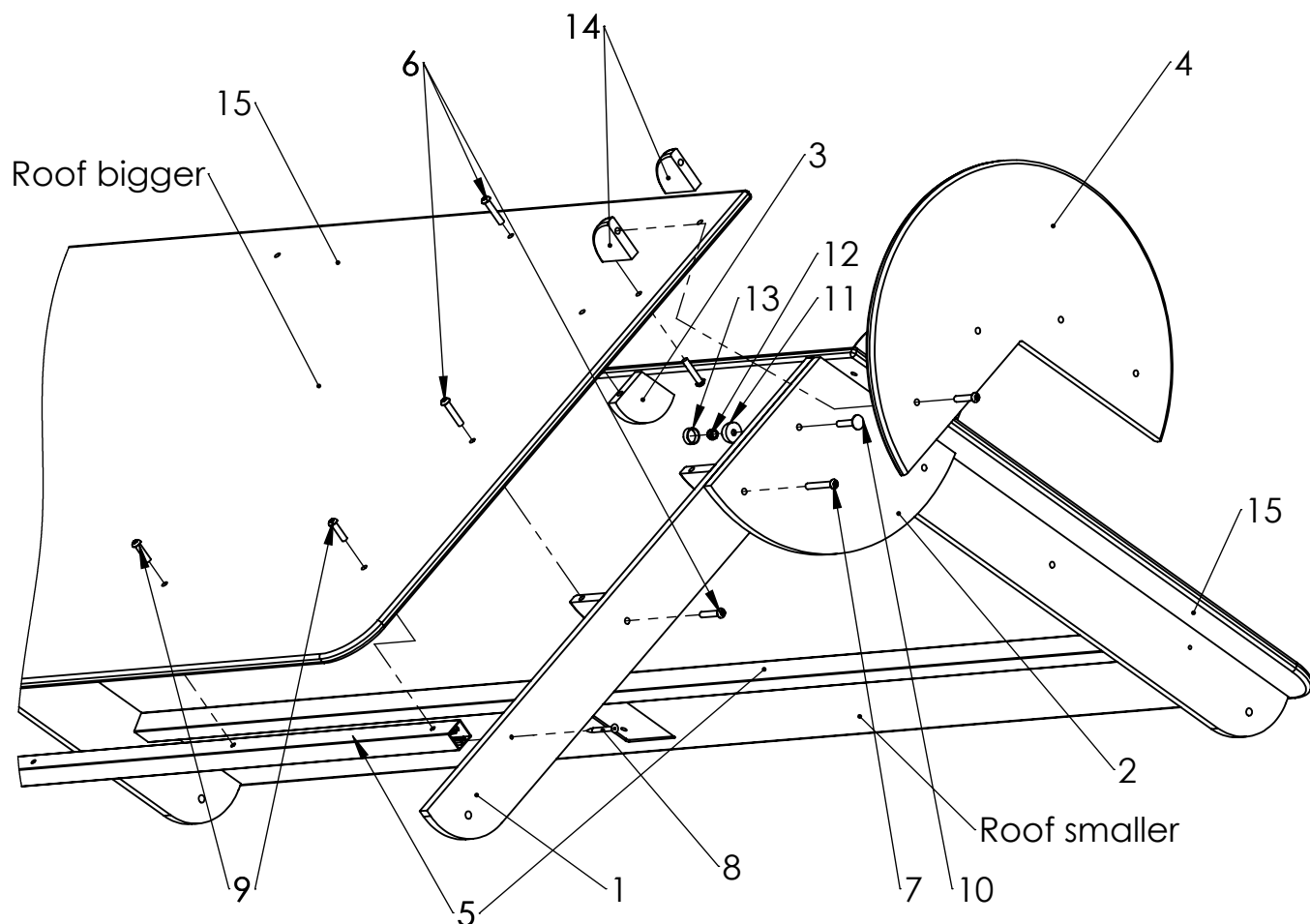
B

C

D

E

F



ITEM NO.	PART NUMBER
1	MM402 rafter
2	rafter mounting plate
3	MM402 roof corner
4	roof fixture
5	MM402 Aluminium 30x30x2207
6	Art. 9121 TX-PIN M8x40
7	bolt DIN7380 M8x50
8	woodscrew 6x60
9	Art. 9121 TX-PIN M8x30
10	bolt DIN603 M8x40
11	nut cover M8
12	nut DIN985 M8
13	nut cover cap M8
14	plastic corner 90°

UNLESS OTHERWISE SPECIFIED:
DIMENSIONS ARE IN MILLIMETERS
WEIGHT ARE IN KILOGRAMM

	NAME	SIGNATURE	DATE	REVISION
DRAWN	I.Agar		30.10.2020	
APPV'D				

PART NUMBER / DWG NO.:

MM402

DESCRIPTION:

Playhouse with slope Buffet 3

MATERIAL:

wood, metal, plastic

A4

WEIGHT:

SCALE: 1:10

SHEET 16 OF 17



Tiptiptap OÜ

Tiptiptap OÜ
Veetorni 9,
Jüri alevik, Rae vald,
75301 Harjumaa

A

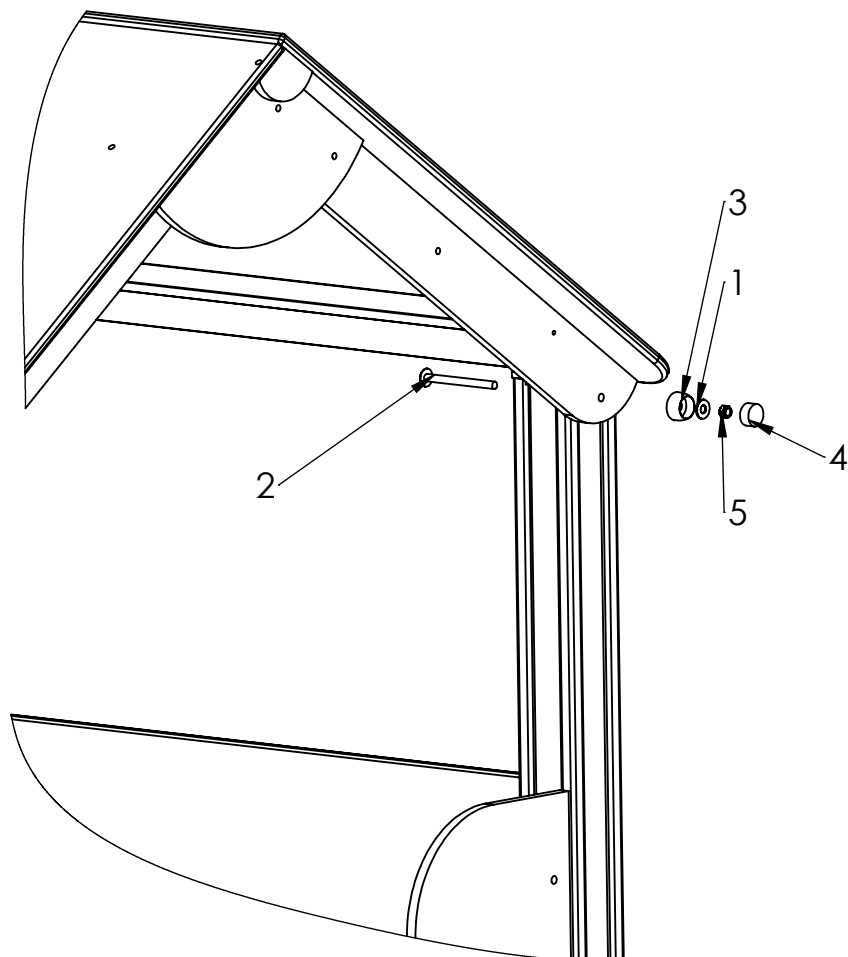
B

C

D

E

F



ITEM NO.	PART NUMBER
1	Washer M10 DIN9054
2	bolt DIN603 M10x120
3	nut cover M12
4	nut cover cap M12
5	nut DIN985 M10

UNLESS OTHERWISE SPECIFIED:
DIMENSIONS ARE IN MILLIMETERS
WEIGHT ARE IN KILOGRAMM

PART NUMBER / DWG NO.:

MM402

	NAME	SIGNATURE	DATE	REVISION
DRAWN	I.Agar		30.10.2020	
APPV'D				

DESCRIPTION:

Playhouse with slope Buffet 3

MATERIAL:

wood, metal, plastic

A4

WEIGHT:

SCALE: 1:10

SHEET 17 OF 17



Tiptiptap OÜ

Tiptiptap OÜ
Veetorni 9,
Jüri alevik, Rae vald,
75301 Harjumaa