

A

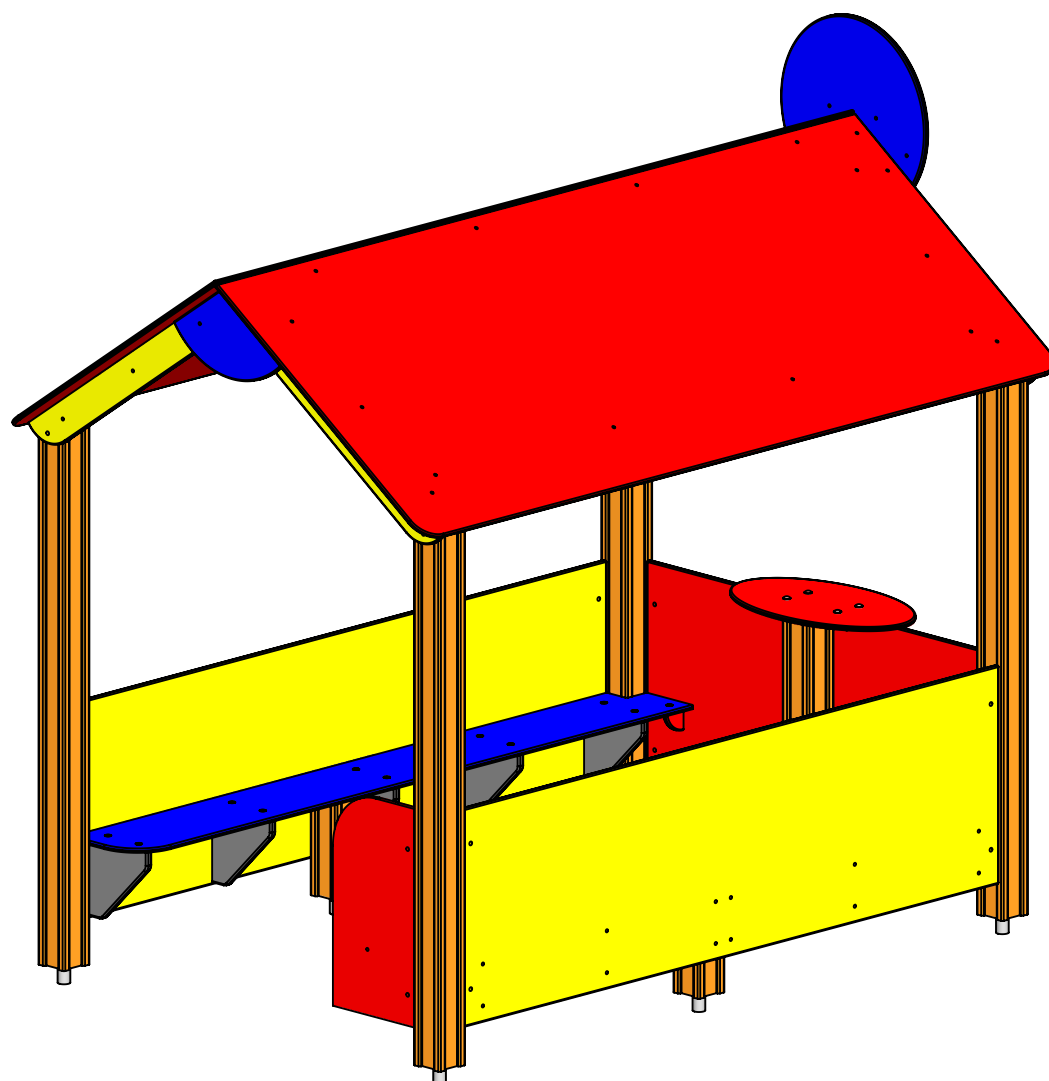
B

C

D

E

F



UNLESS OTHERWISE SPECIFIED:
DIMENSIONS ARE IN MILLIMETERS
WEIGHT ARE IN KILOGRAMM

PART NUMBER / DWG NO.:

MM401-2

	NAME	SIGNATURE	DATE	REVISION
DRAWN	M.Rebase		02.05.2015	
APPV'D				

DESCRIPTION:

Playhouse BUFFET 2



Tiptaptap OÜ

Tiptaptap OÜ
Veetorni 9,
Jüri alevik, Rae vald,
75301 Harjumaa

MATERIAL:

wood, metal, plastic

A4

WEIGHT:

SCALE: 1:20

SHEET 1 OF 13

safety area

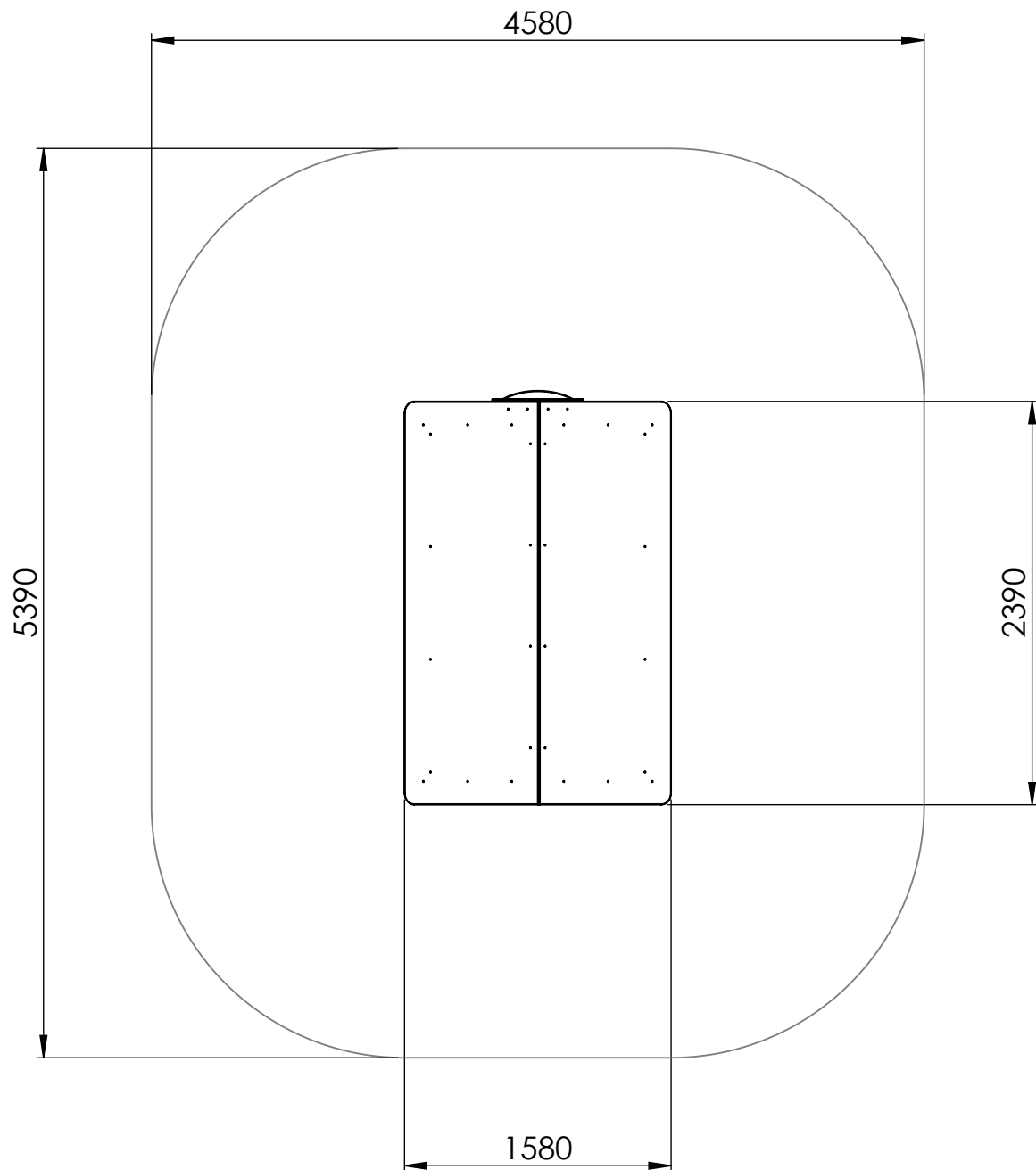
A

B

C

D

E



UNLESS OTHERWISE SPECIFIED:
DIMENSIONS ARE IN MILLIMETERS
WEIGHT ARE IN KILOGRAMM

PART NUMBER / DWG NO.:

MM401-2

	NAME	SIGNATURE	DATE	REVISION
DRAWN	M.Rebase		02.05.2015	
APPV'D				

DESCRIPTION:

Playhouse BUFFET 2

F



Tiptaptap OÜ

Tiptaptap OÜ
Veetorni 9,
Jüri alevik, Rae vald,
75301 Harjumaa

MATERIAL:

wood, metal, plastic

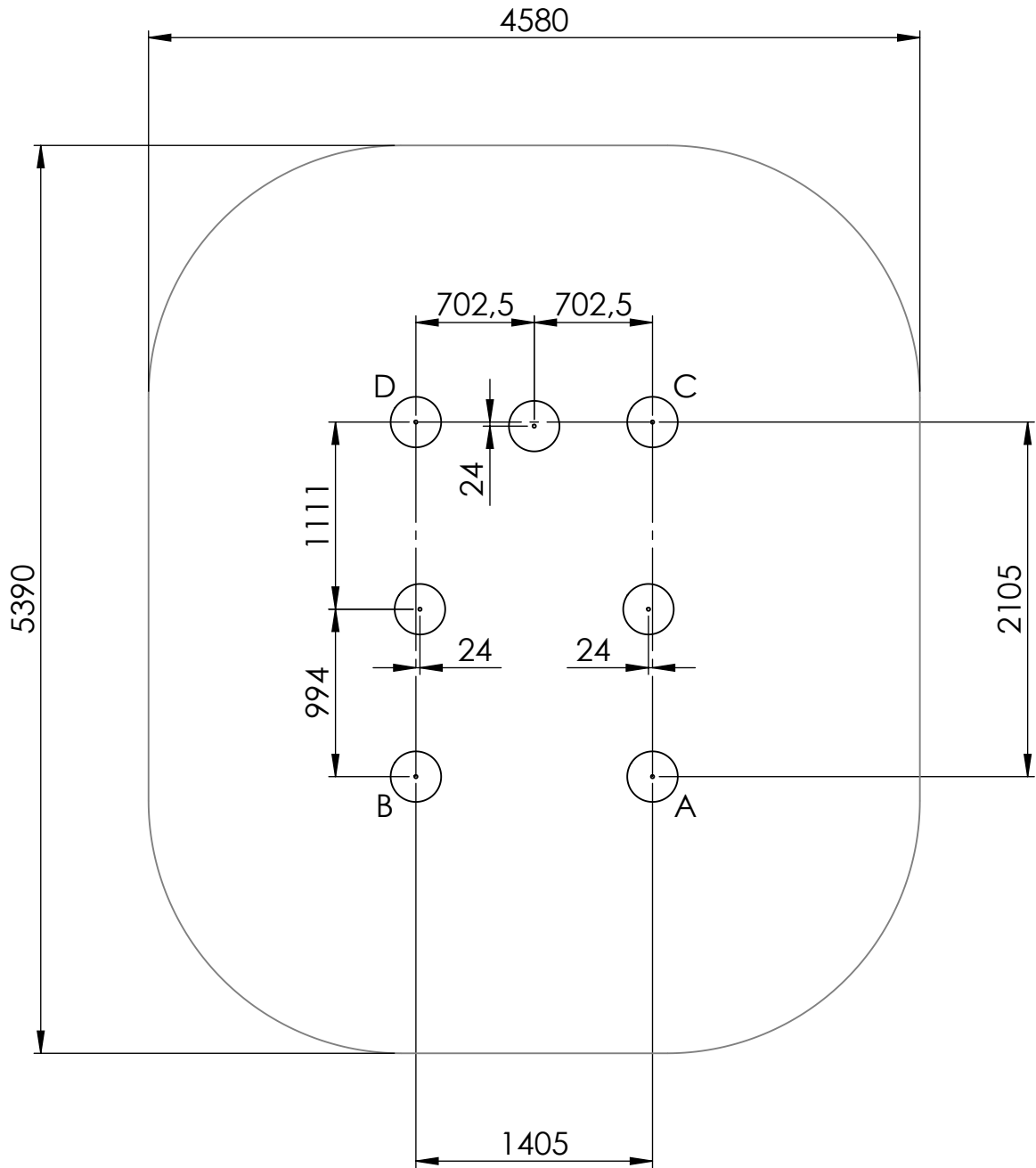
A4

WEIGHT:

SCALE: 1:40

SHEET 2 OF 13

foundation



UNLESS OTHERWISE SPECIFIED:
DIMENSIONS ARE IN MILLIMETERS
WEIGHT ARE IN KILOGRAMM

PART NUMBER / DWG NO.:

MM401-2

	NAME	SIGNATURE	DATE	REVISION
DRAWN	M.Rebase		02.05.2015	
APPV'D				

DESCRIPTION:

Playhouse BUFFET 2



Tiptap OÜ

Tiptap OÜ
Veetorni 9,
Jüri alevik, Rae vald,
75301 Harjumaa

MATERIAL:

wood, metal, plastic

A4

WEIGHT:

SCALE: 1:40

SHEET 3 OF 13

A

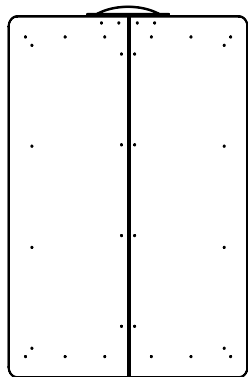
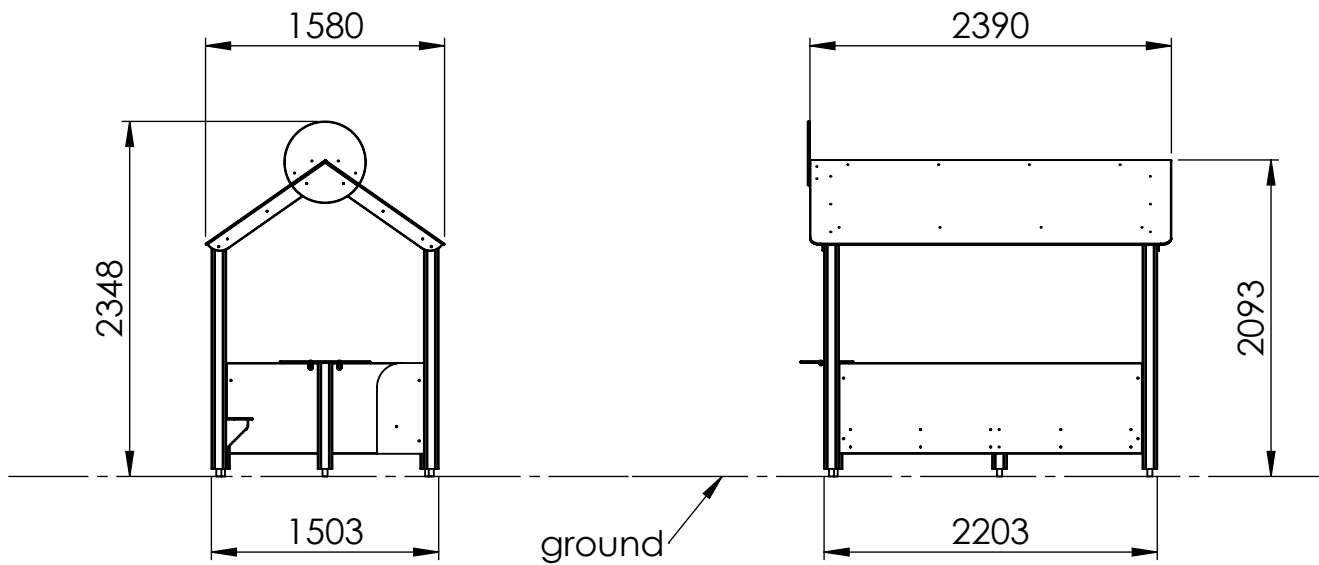
B

C

D

E

F



UNLESS OTHERWISE SPECIFIED:
 DIMENSIONS ARE IN MILLIMETERS
 WEIGHT ARE IN KILOGRAMM

PART NUMBER / DWG NO.:

MM401-2

	NAME	SIGNATURE	DATE	REVISION
DRAWN	M.Rebase		02.05.2015	
APPV'D				

DESCRIPTION:

Playhouse BUFFET 2



Tiptaptap OÜ

Tiptaptap OÜ
 Veetorni 9,
 Jüri alevik, Rae vald,
 75301 Harjumaa

MATERIAL:

wood, metal, plastic

A4

WEIGHT:

SCALE: 1:40

SHEET 4 OF 13

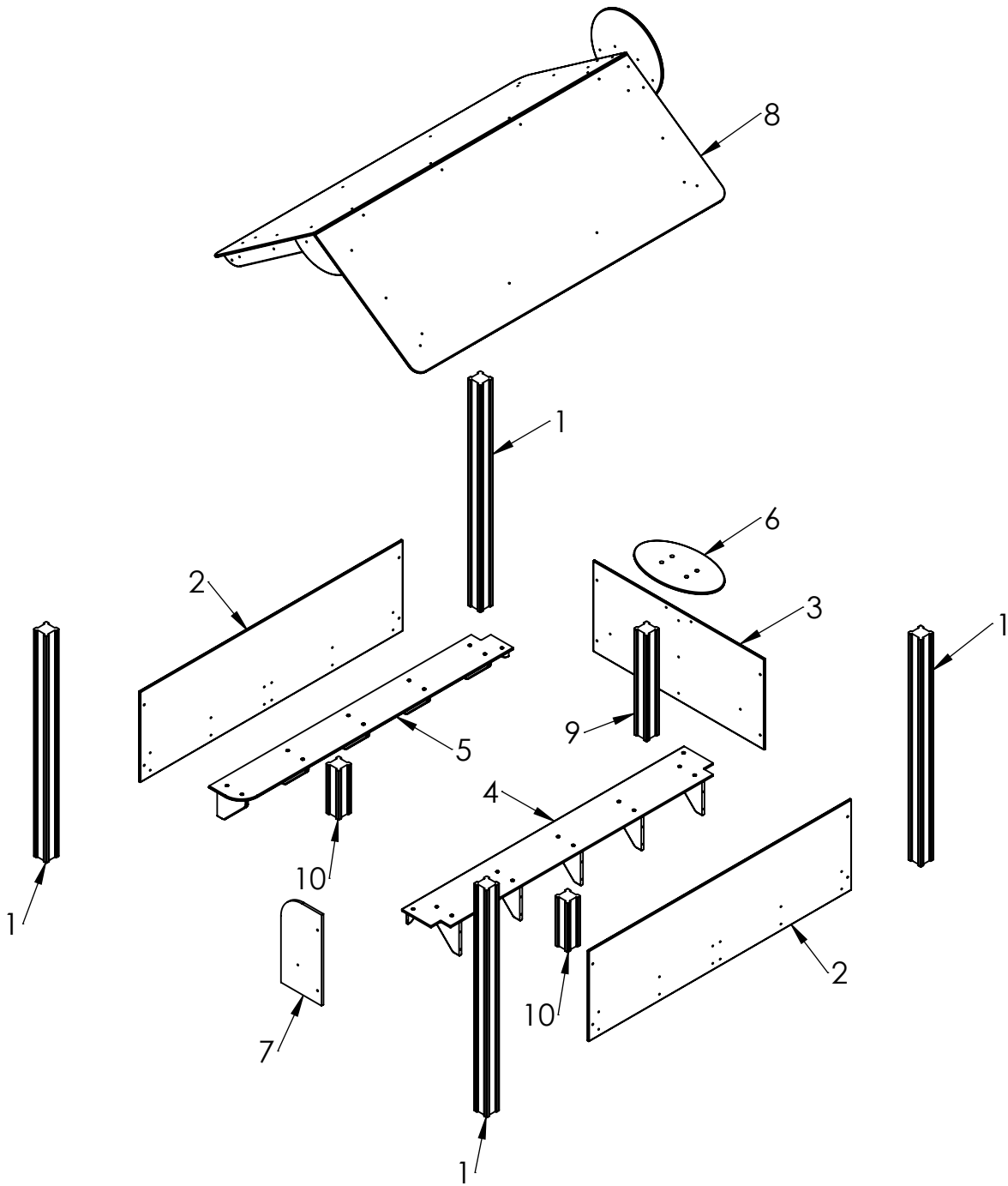
A

B

C

D

E



UNLESS OTHERWISE SPECIFIED:
 DIMENSIONS ARE IN MILLIMETERS
 WEIGHT ARE IN KILOGRAMM

PART NUMBER / DWG NO.:

MM401-2

	NAME	SIGNATURE	DATE	REVISION
DRAWN	M.Rebase		02.05.2015	
APPV'D				

DESCRIPTION:

Playhouse BUFFET 2



Tiptaptap OÜ

Tiptaptap OÜ
 Veetorni 9,
 Jüri alevik, Rae vald,
 75301 Harjumaa

MATERIAL:

wood, metal, plastic

A4

WEIGHT:

SCALE: 1:35

SHEET 5 OF 13

F

ITEM NO.	PART NUMBER	DESCRIPTION	QTY.
1	post 98x98x1500	laminated wood	4
2	panel 600x2007	plywood	2
3	panel 600x1307	plywood	1
4	seat 2155x300 wiht fixings	plywood, PE plastic	1
5	seat 2080x250 wiht fixings	plywood, PE plastic	1
6	table 350x600	plywood	1
7	panel 310 x 600 R160	plywood	1
8	roof 2390x1580	plywood	1
9	post 98x98x700	laminated wood	1
10	post 98x98x325	laminated wood	2

UNLESS OTHERWISE SPECIFIED:
DIMENSIONS ARE IN MILLIMETERS
WEIGHT ARE IN KILOGRAMM

PART NUMBER / DWG NO.:

MM401-2

	NAME	SIGNATURE	DATE	REVISION
DRAWN	M.Rebase		02.05.2015	
APPV'D				

DESCRIPTION:

Playhouse BUFFET 2



Tiptiptap OÜ

Tiptiptap OÜ
Veetorni 9,
Jüri alevik, Rae vald,
75301 Harjumaa

MATERIAL:

wood, metal, plastic

A4

WEIGHT:

SCALE: 1:35

SHEET 6 OF 13

A

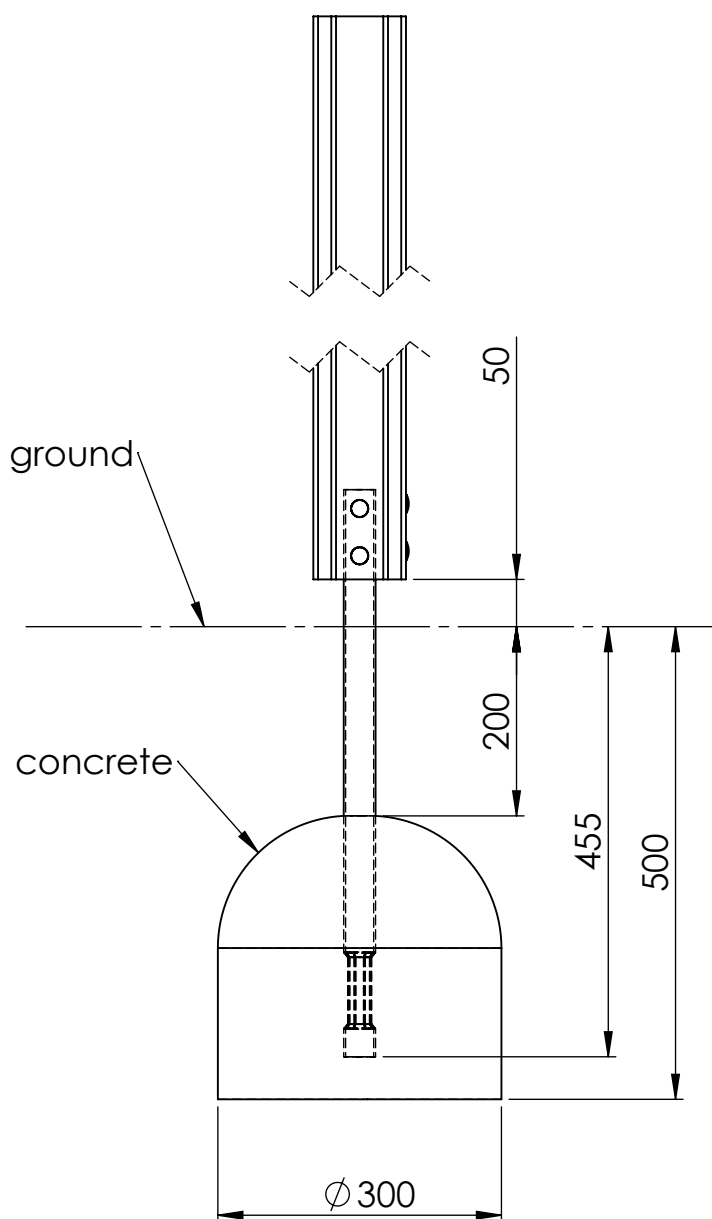
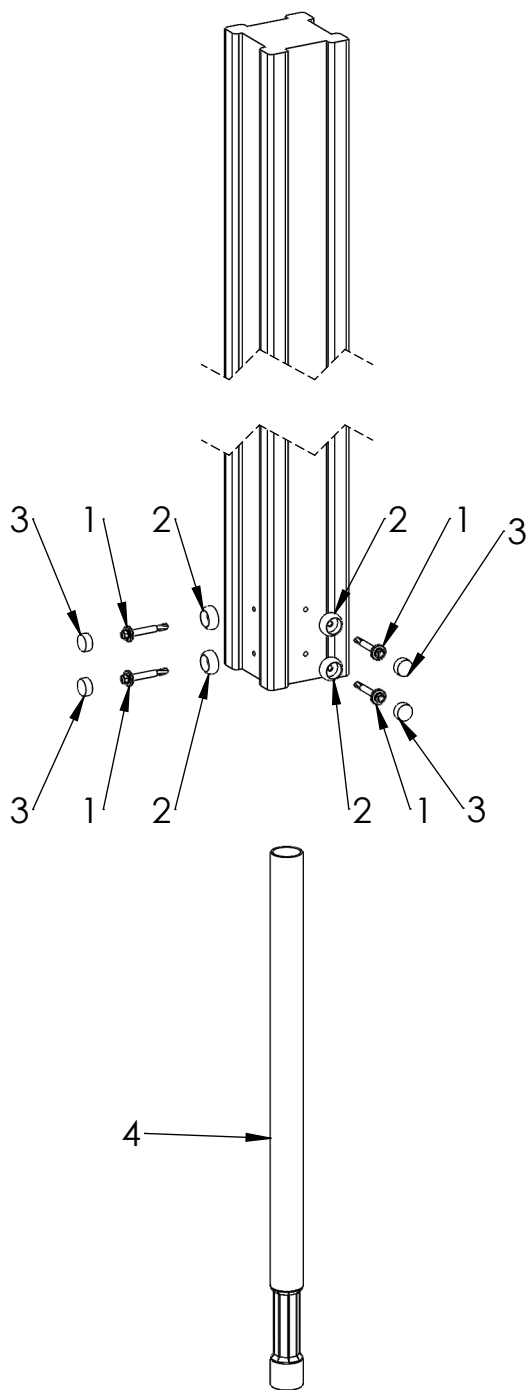
B

C

D

E

F



ITEM NO.	PART NUMBER
1	screw DIN7504K 5,5x50
2	nut cover M6
3	nut cover cap M6
4	metal ground fixing L_600

UNLESS OTHERWISE SPECIFIED:
DIMENSIONS ARE IN MILLIMETERS
WEIGHT ARE IN KILOGRAMM

PART NUMBER / DWG NO.:

MM401-2

	NAME	SIGNATURE	DATE	REVISION
DRAWN	M.Rebase		02.05.2015	
APPV'D				

DESCRIPTION:

Playhouse BUFFET 2
connecting metal ground fixing to post

MATERIAL:

wood, metal, plastic

A4

WEIGHT:

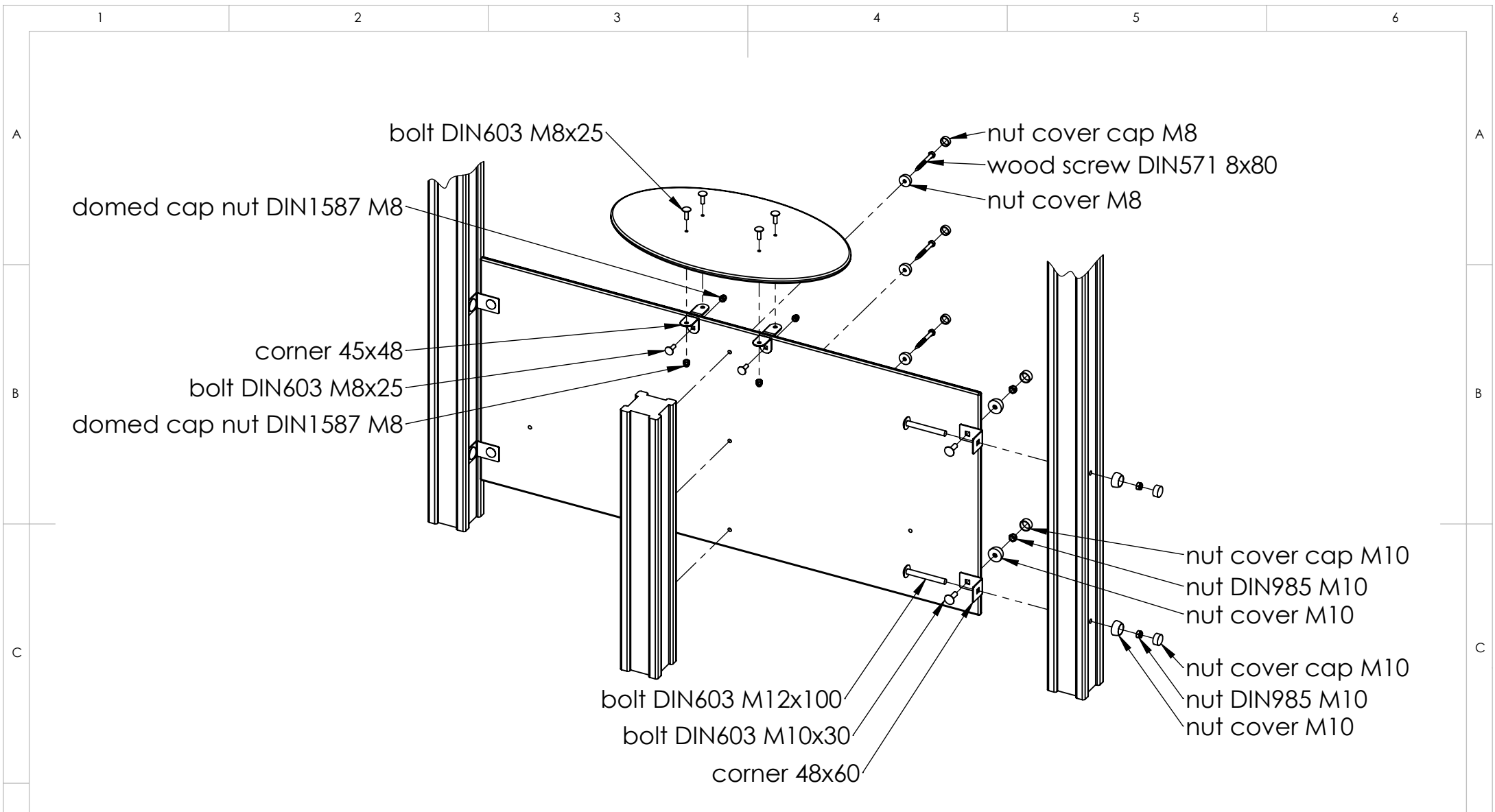
SCALE: 1:8

SHEET 7 OF 13



Tiptaptap OÜ

Tiptaptap OÜ
Veetorni 9,
Jüri alevik, Rae vald,
75301 Harjumaa



UNLESS OTHERWISE SPECIFIED:
 DIMENSIONS ARE IN MILLIMETERS
 WEIGHT ARE IN KILOGRAMM

	NAME	SIGNATURE	DATE	REVISION
DRAWN	M.Rebase		02.05.2015	
APPV'D				

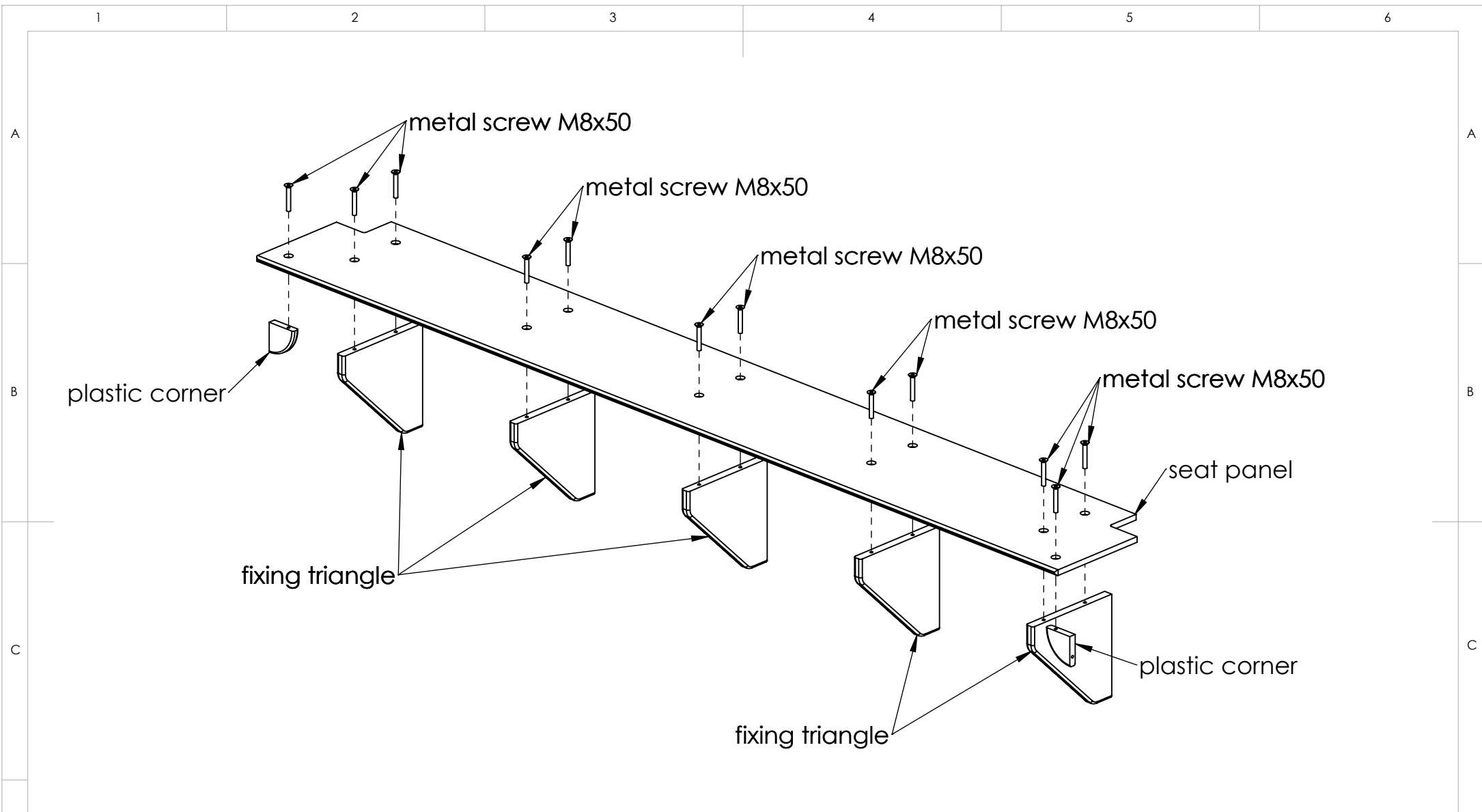
PART NUMBER / DWG NO.:
MM401-2


DESCRIPTION:
Playhouse BUFFET 2

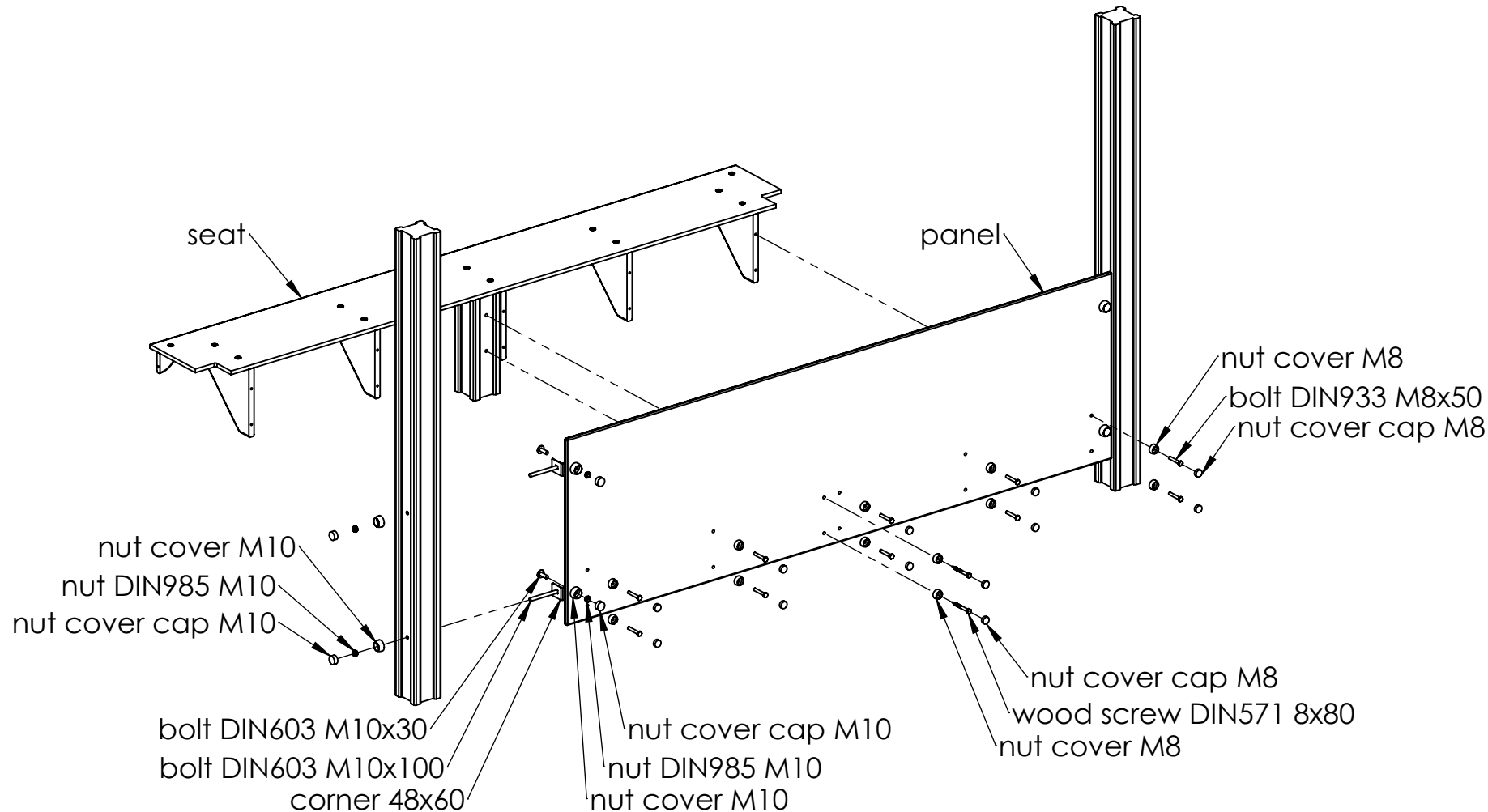


Tiptaptap OÜ
 Veetorni 9,
 Jüri alevik, Rae vald,
 75301 Harjumaa

MATERIAL:	wood, metal, plastic	A4
WEIGHT:		SCALE: 1:12
		SHEET 8 OF 13



UNLESS OTHERWISE SPECIFIED: DIMENSIONS ARE IN MILLIMETERS WEIGHT ARE IN KILOGRAMM					PART NUMBER / DWG NO.: MM401-2	
	NAME	SIGNATURE	DATE	REVISION	DESCRIPTION: Playhouse BUFFET 2	
DRAWN	M.Rebase		02.05.2015			
APPV'D						
 Tiptaptap OÜ Tiptaptap OÜ Veetorni 9, Jüri alevik, Rae vald, 75301 Harjumaa					MATERIAL:	wood, metal, plastic
					WEIGHT:	



UNLESS OTHERWISE SPECIFIED:
 DIMENSIONS ARE IN MILLIMETERS
 WEIGHT ARE IN KILOGRAMM

PART NUMBER / DWG NO.:
MM401-2

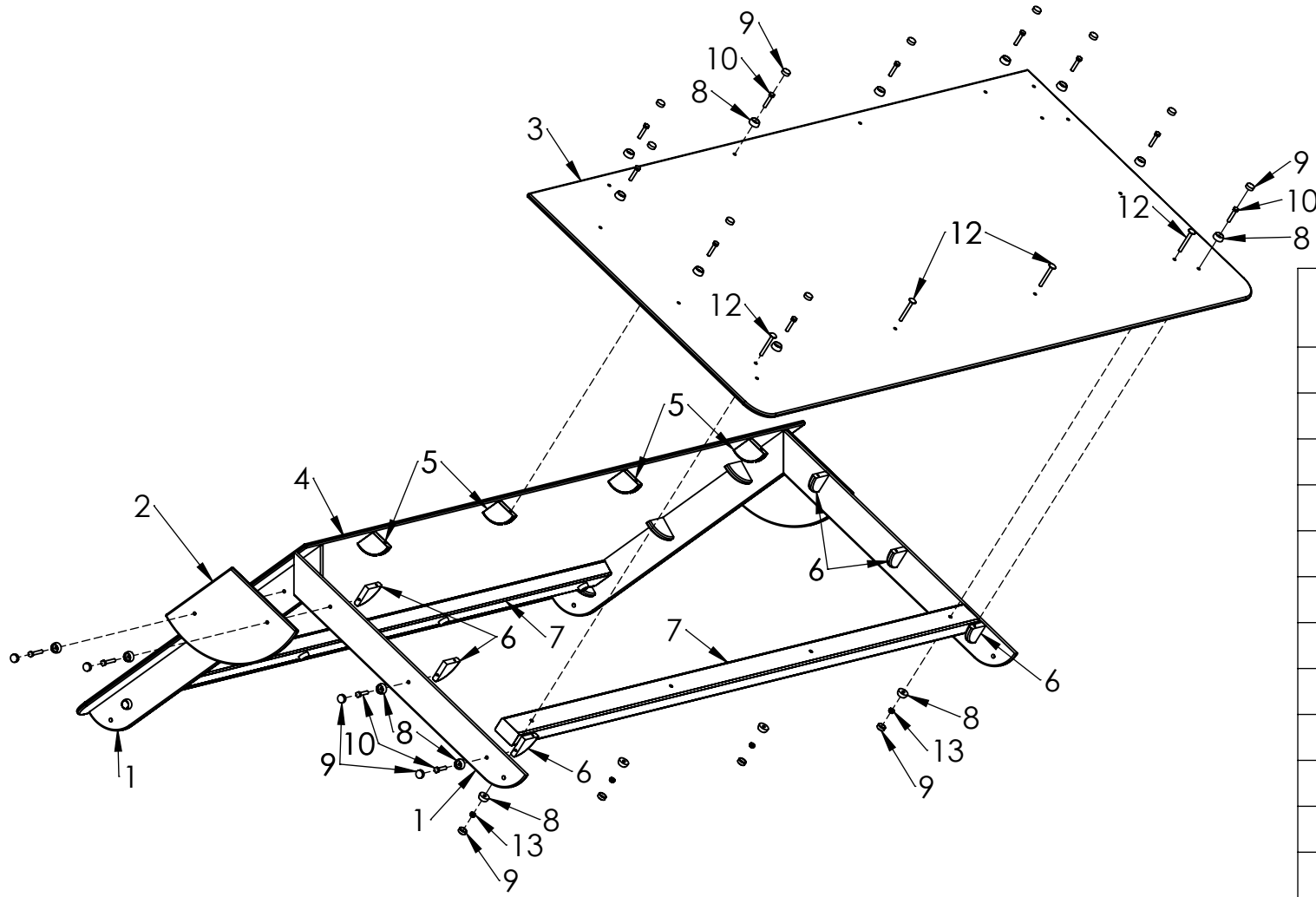
	NAME	SIGNATURE	DATE	REVISION
DRAWN	M.Rebase		02.05.2015	
APPV'D				

DESCRIPTION:
Playhouse BUFFET 2



Tiptaptap OÜ
 Tiptaptap OÜ
 Veetorni 9,
 Jüri alevik, Rae vald,
 75301 Harjumaa

MATERIAL:	wood, metal, plastic	A4
WEIGHT:		SCALE: 1:18
		SHEET 10 OF 13



ITEM NO.	PART NUMBER
1	rafter 100x950
2	rafter mounting plate
3	roof panel 955x2390
4	roof panel 970x2390
5	plastic corner 110°
6	plastic corner
7	beam 45x70x2203
8	nut cover M8
9	nut cover cap M8
10	bolt DIN933 M8x40
11	bolt DIN933 M8x50
12	bolt DIN603 M8x70
13	nut DIN985 M8

UNLESS OTHERWISE SPECIFIED:
 DIMENSIONS ARE IN MILLIMETERS
 WEIGHT ARE IN KILOGRAMM

	NAME	SIGNATURE	DATE	REVISION
DRAWN	M.Rebase		02.05.2015	
APPV'D				

PART NUMBER / DWG NO.:
MM401-2

DESCRIPTION:
Playhouse BUFFET 2



Tiptiptap OÜ
 Tiptiptap OÜ
 Veetorni 9,
 Jüri alevik, Rae vald,
 75301 Harjumaa

MATERIAL:	wood, metal, plastic	A4
WEIGHT:		SCALE: 1:18
		SHEET 11 OF 13

1 2 3 4 5 6

A

A

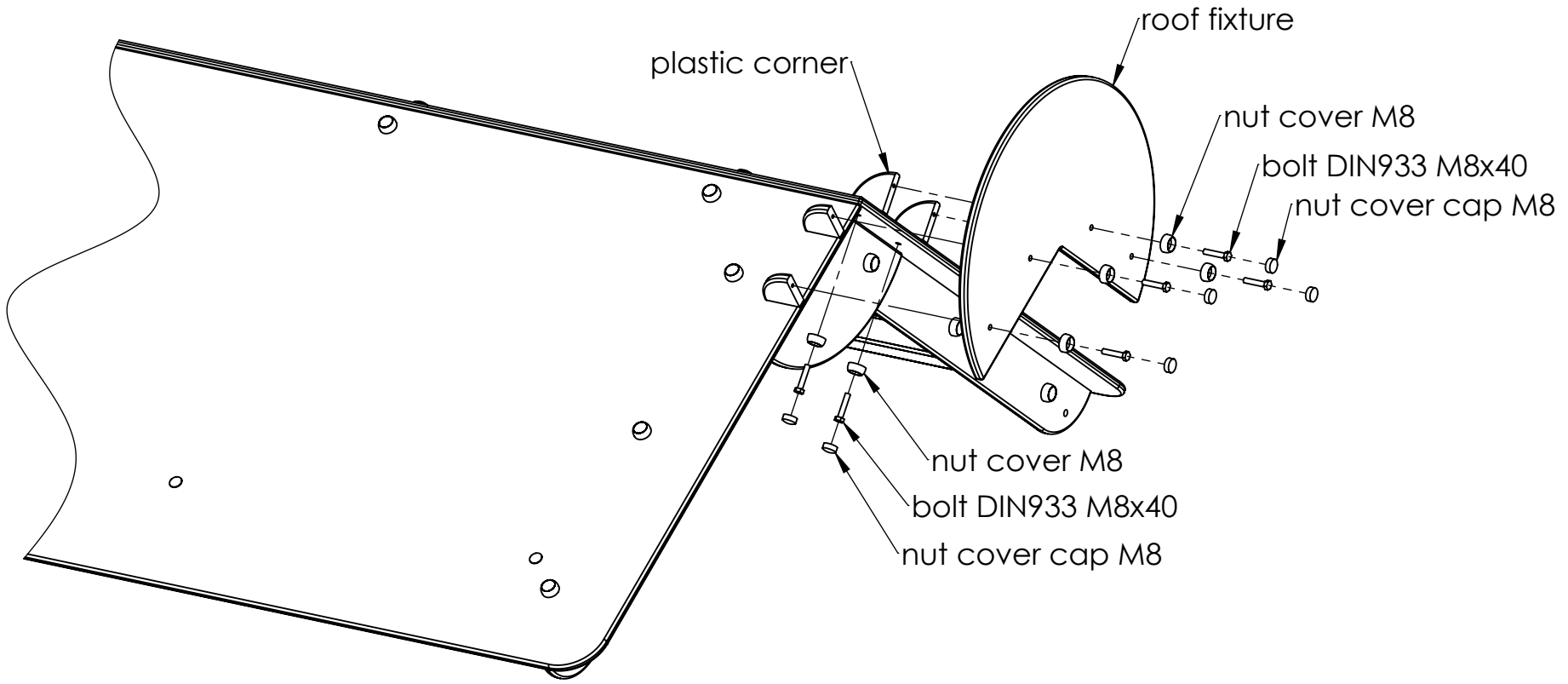
B

B

C

C

D



UNLESS OTHERWISE SPECIFIED:
DIMENSIONS ARE IN MILLIMETERS
WEIGHT ARE IN KILOGRAMM

PART NUMBER / DWG NO.:
MM401-2

	NAME	SIGNATURE	DATE	REVISION
DRAWN	M.Rebase		02.05.2015	
APPV'D				

DESCRIPTION:
Playhouse BUFFET 2



Tiptaptap OÜ
Veetorni 9,
Jüri alevik, Rae vald,
75301 Harjumaa

MATERIAL:	wood, metal, plastic	A4
WEIGHT:		SCALE: 1:10
		SHEET 12 OF 13

1 2

1 2 3 4 5 6

A

A

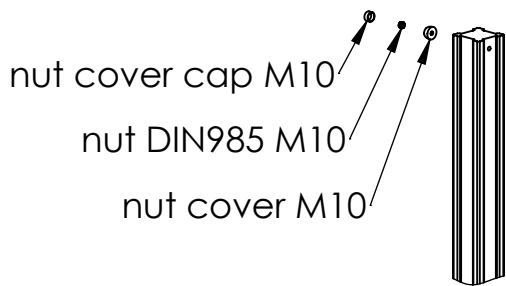
B

B

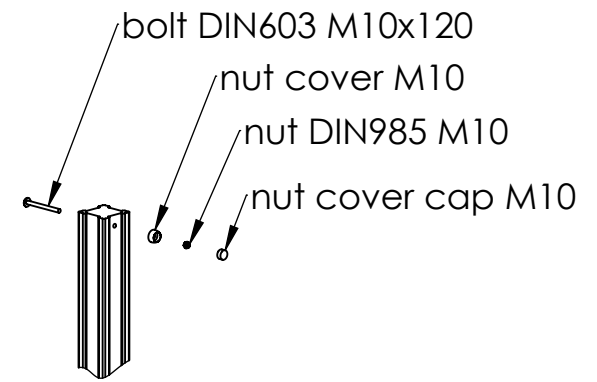
C

C

D



bolt DIN603 M10x120

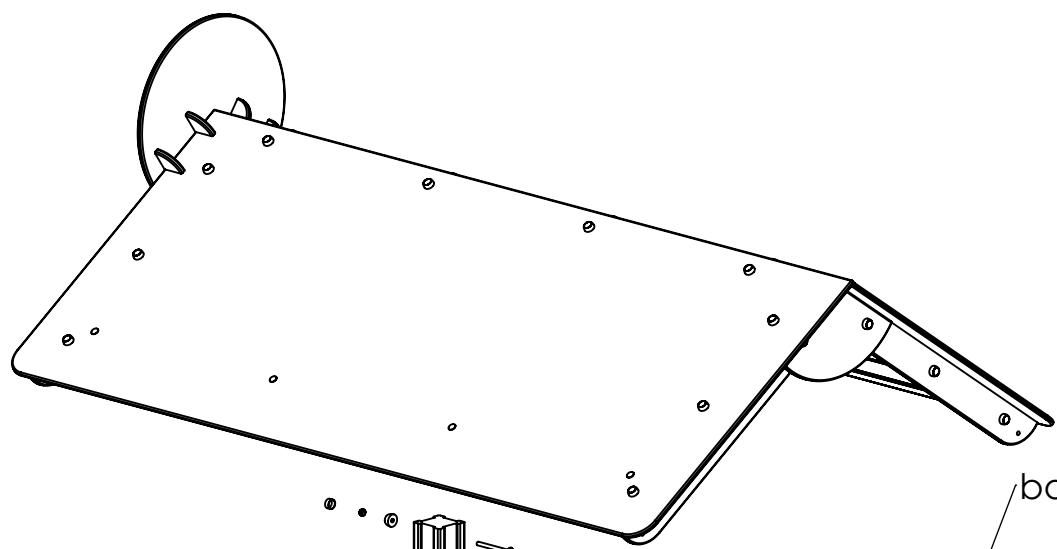


bolt DIN603 M10x120

nut cover M10

nut DIN985 M10

nut cover cap M10



UNLESS OTHERWISE SPECIFIED:
DIMENSIONS ARE IN MILLIMETERS
WEIGHT ARE IN KILOGRAMM

PART NUMBER / DWG NO.:
MM401-2

	NAME	SIGNATURE	DATE	REVISION
DRAWN	M.Rebase		02.05.2015	
APPV'D				

DESCRIPTION:
Playhouse BUFFET 2



Tiptaptap OÜ
Tiptaptap OÜ
Veetorni 9,
Jüri alevik, Rae vald,
75301 Harjumaa

MATERIAL: wood, metal, plastic

A4

WEIGHT: SCALE: 1:20 SHEET 13 OF 13

1 2