

A

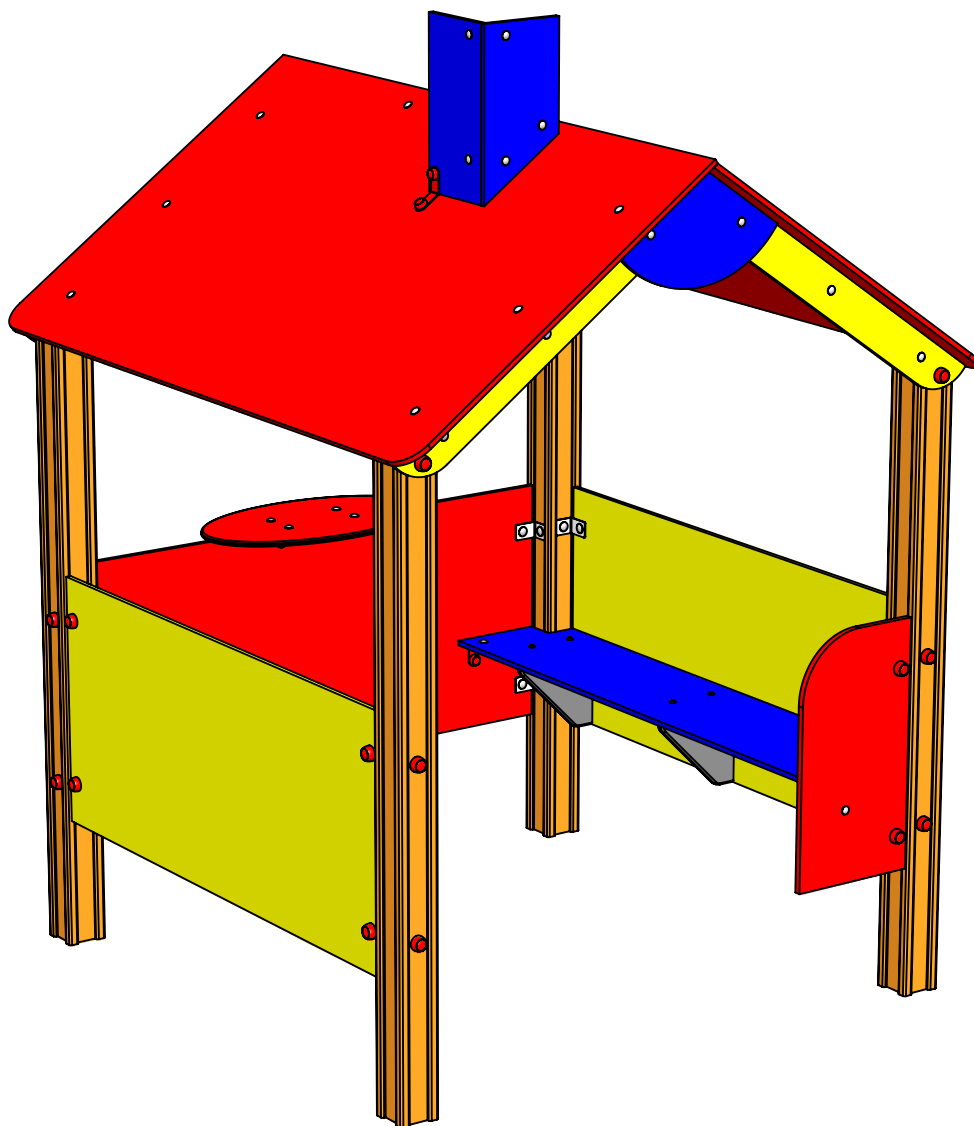
B

C

D

E

F



UNLESS OTHERWISE SPECIFIED:
DIMENSIONS ARE IN MILLIMETERS
WEIGHT ARE IN KILOGRAMM

PART NUMBER / DWG NO.:

MM400

	NAME	SIGNATURE	DATE	REVISION
DRAWN	M.Rebase		19.09.2013	
APPV'D				

DESCRIPTION:

Playhouse BUFFET

MATERIAL:

wood, metal, plastic

A4

WEIGHT:

SCALE: 1:15

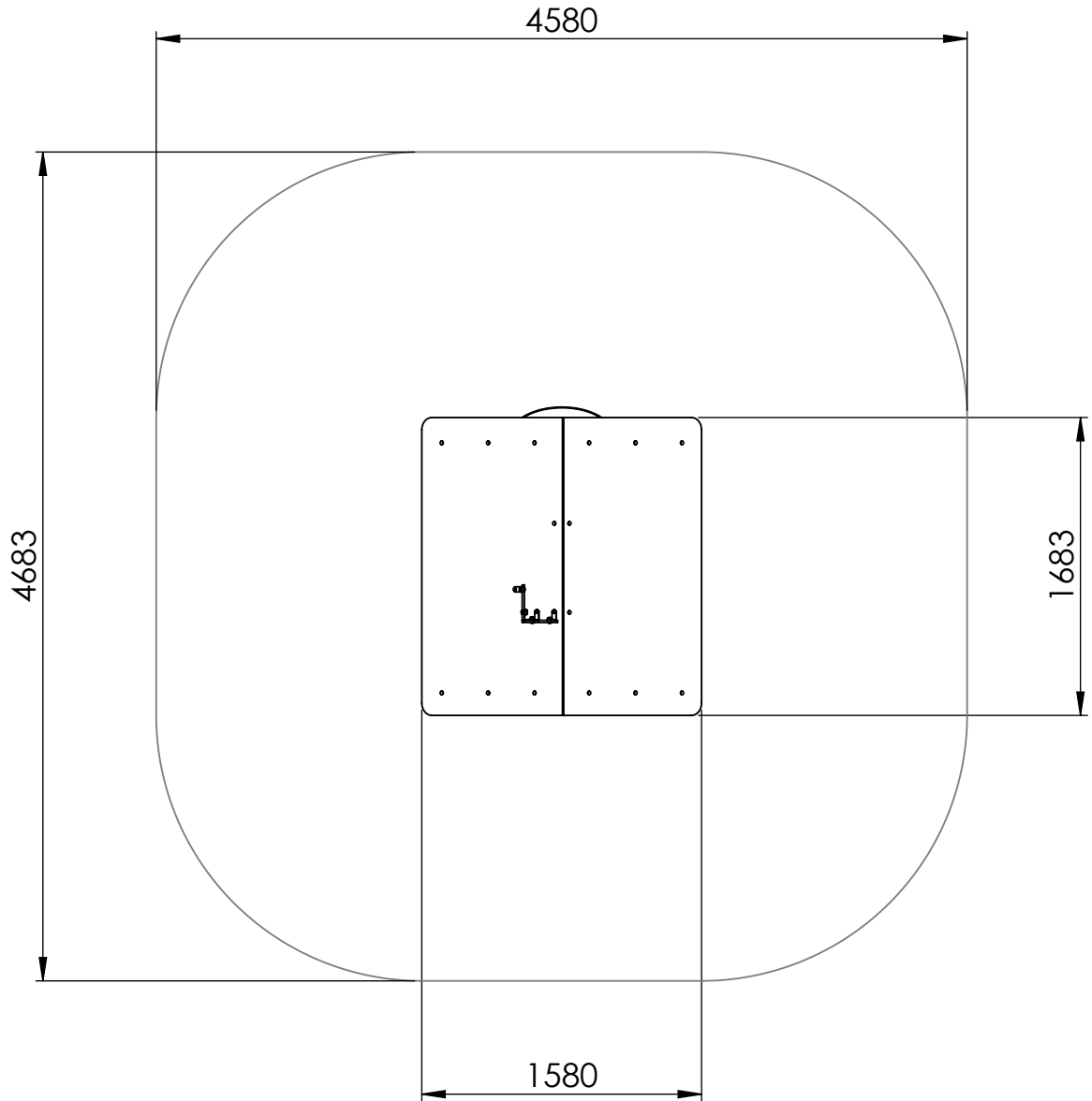
SHEET 1 OF 14



Tiptaptap OÜ

Tiptaptap OÜ
Veetorni 9,
Jüri alevik, Rae vald,
75301 Harjumaa

safety area



UNLESS OTHERWISE SPECIFIED:
DIMENSIONS ARE IN MILLIMETERS
WEIGHT ARE IN KILOGRAMM

PART NUMBER / DWG NO.:
MM400

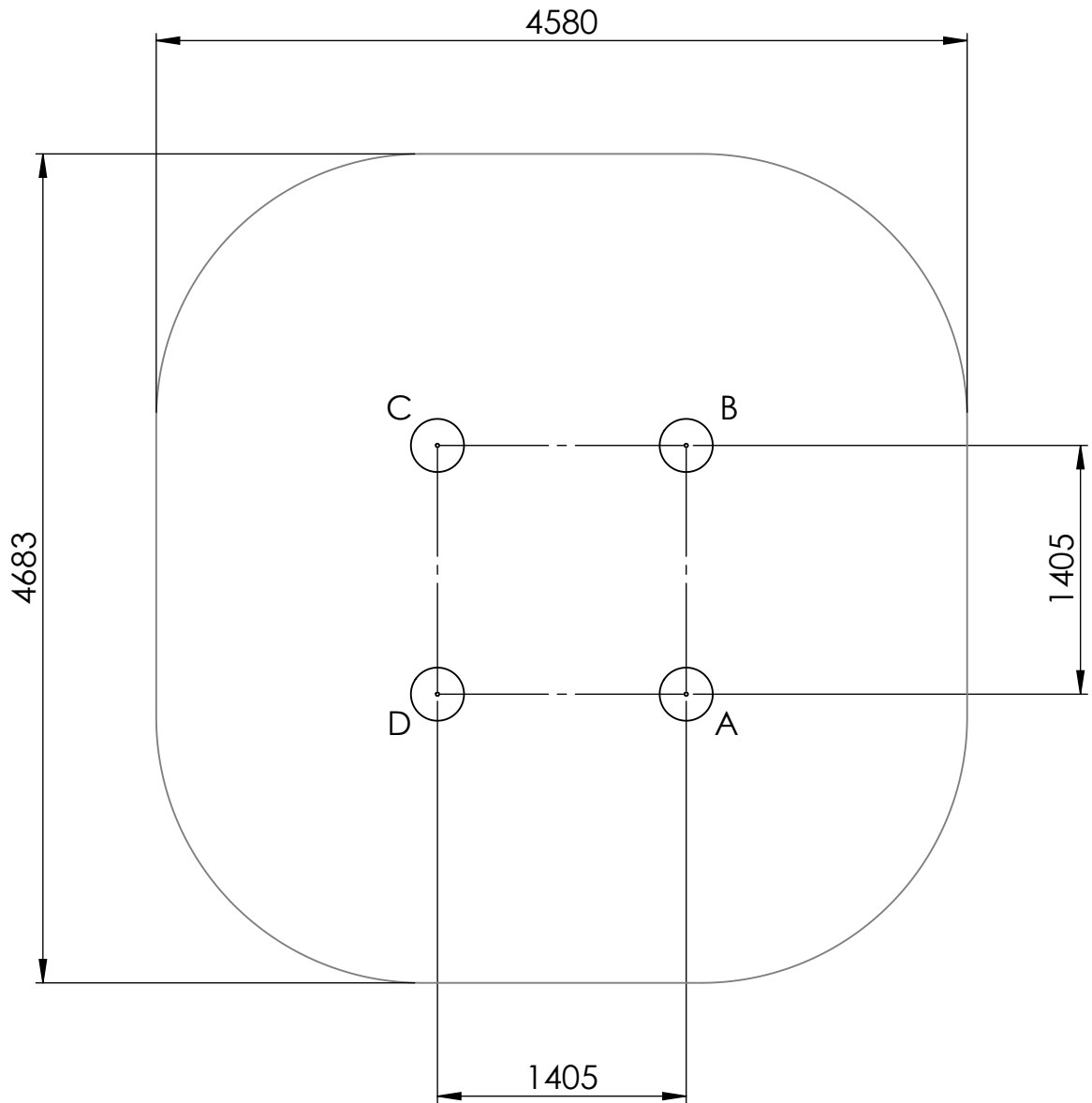
	NAME	SIGNATURE	DATE	REVISION
DRAWN	M.Rebase		19.09.2013	
APPV'D				

DESCRIPTION:
Playhouse BUFFET


Tiptap OÜ
 Veetorni 9,
 Jüri alevik, Rae vald,
 75301 Harjumaa

MATERIAL:	wood, metal, plastic	A4
WEIGHT:	SCALE: 1:40	SHEET 2 OF 14

foundation



UNLESS OTHERWISE SPECIFIED:
DIMENSIONS ARE IN MILLIMETERS
WEIGHT ARE IN KILOGRAMM

PART NUMBER / DWG NO.:

MM400

	NAME	SIGNATURE	DATE	REVISION
DRAWN	M.Rebase		19.09.2013	
APPV'D				

DESCRIPTION:

Playhouse BUFFET



Tiptap OÜ

Tiptap OÜ
Veetorni 9,
Jüri alevik, Rae vald,
75301 Harjumaa

MATERIAL:

wood, metal, plastic

A4

WEIGHT:

SCALE: 1:40

SHEET 3 OF 14

A

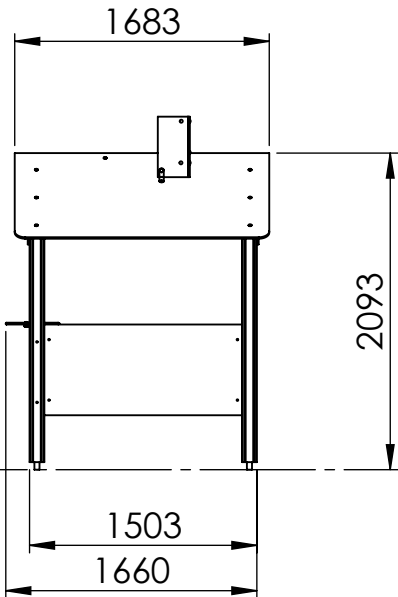
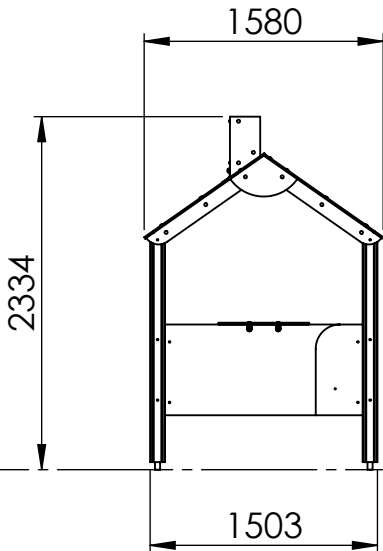
B

C

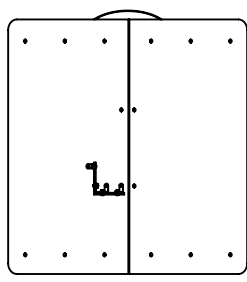
D

E

F



ground



UNLESS OTHERWISE SPECIFIED: DIMENSIONS ARE IN MILLIMETERS WEIGHT ARE IN KILOGRAMM				
	NAME	SIGNATURE	DATE	REVISION
DRAWN	M.Rebase		19.09.2013	
APPV'D				

PART NUMBER / DWG NO.:
MM400

DESCRIPTION:
Playhouse BUFFET



Tiptiptap OÜ
Veetorni 9,
Jüri alevik, Rae vald,
75301 Harjumaa

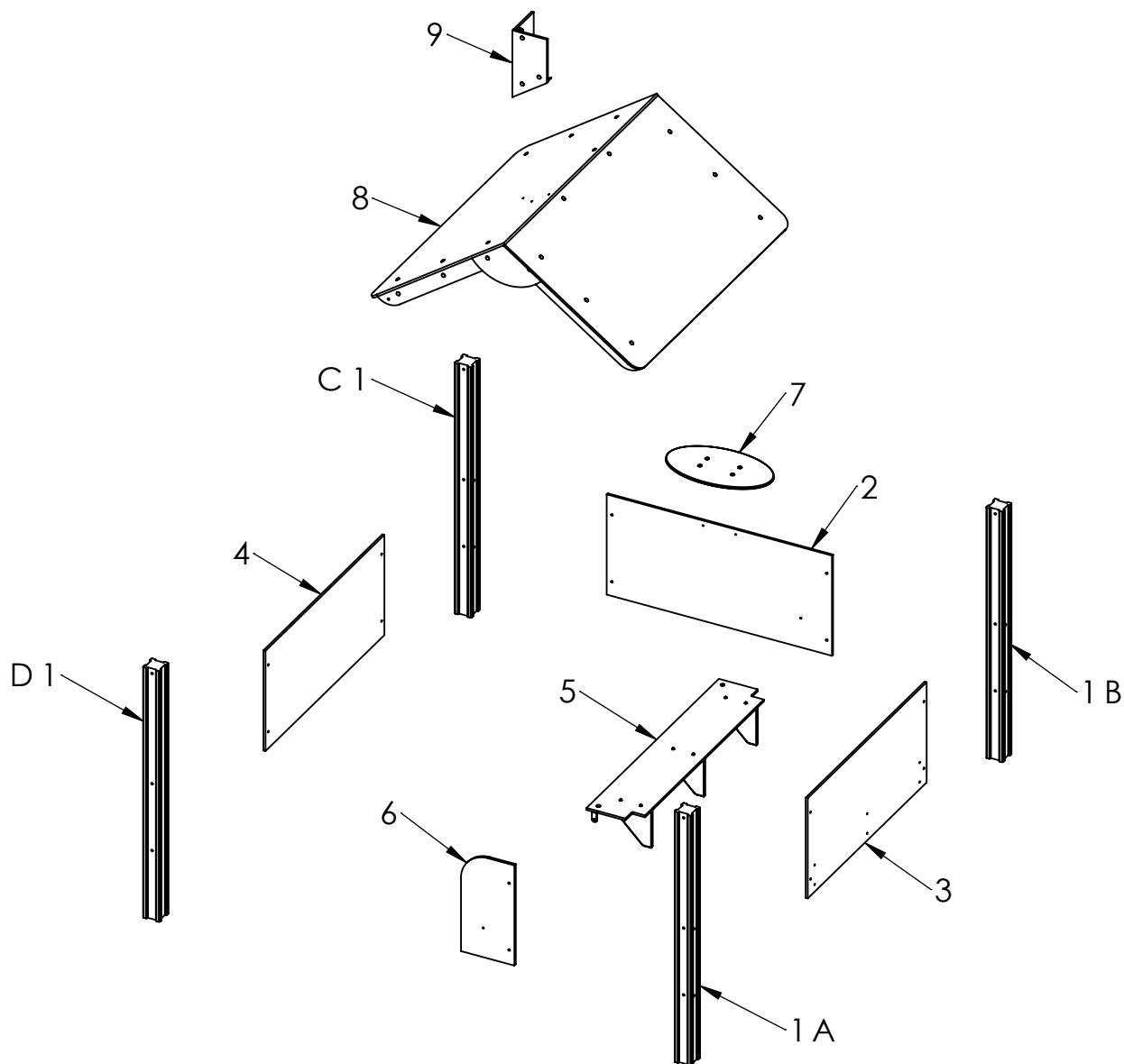
MATERIAL:	wood, metal, plastic	A4
WEIGHT:	SCALE: 1:50	SHEET 4 OF 14

A

B

C

D



ITEM NO.	PART NUMBER	DESCRIPTION	QTY.
1	post 98x98x1500	laminated wood	4
2	panel 600x1307 for table	plywood	1
3	panel 600x1307 for seat	plywood	1
4	panel 600x1307	plywood	1
5	seat 1455x300 wiht fixings	plywood, PE plastic	1
6	panel 310 x 600 R160	plywood	1
7	table 350x600	plywood	1
8	roof	plywood	1
9	chimney	plywood	1

UNLESS OTHERWISE SPECIFIED:
DIMENSIONS ARE IN MILLIMETERS
WEIGHT ARE IN KILOGRAMM

PART NUMBER / DWG NO.:

MM400

	NAME	SIGNATURE	DATE	REVISION
DRAWN	M.Rebase		19.09.2013	
APPV'D				

DESCRIPTION:

Playhouse BUFFET

MATERIAL:

wood, metal, plastic

A4

WEIGHT:

SCALE: 1:35

SHEET 5 OF 14



Tiptiptap OÜ

Tiptiptap OÜ
Veetorni 9,
Jüri alevik, Rae vald,
75301 Harjumaa

A

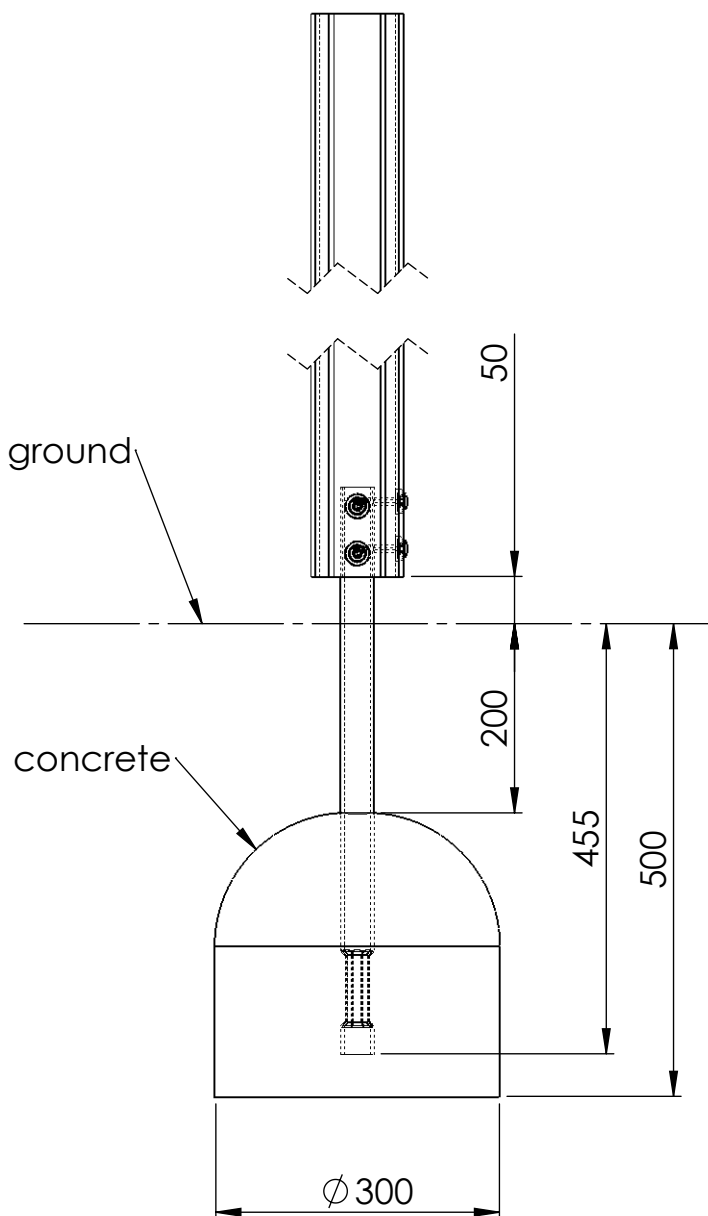
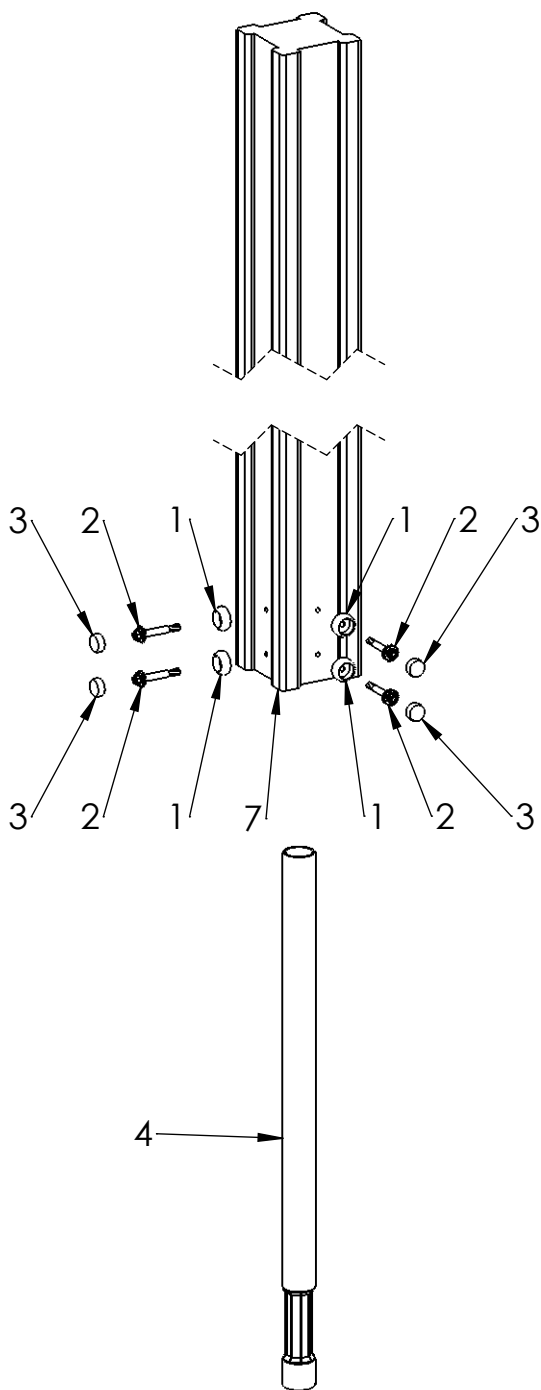
B

C

D

E

F



ITEM NO.	PART NUMBER
1	nut cover M6
2	screw DIN7504K 5,5x50
3	nut cover cap M6
4	metal ground fixing L_600

UNLESS OTHERWISE SPECIFIED:
DIMENSIONS ARE IN MILLIMETERS
WEIGHT ARE IN KILOGRAMM

PART NUMBER / DWG NO.:

MM400

	NAME	SIGNATURE	DATE	REVISION
DRAWN	M.Rebase		19.09.2013	
APPV'D				

DESCRIPTION:

Playhouse BUFFET
connecting metal ground fixing to post

MATERIAL:

wood, metal, plastic

A4

WEIGHT:

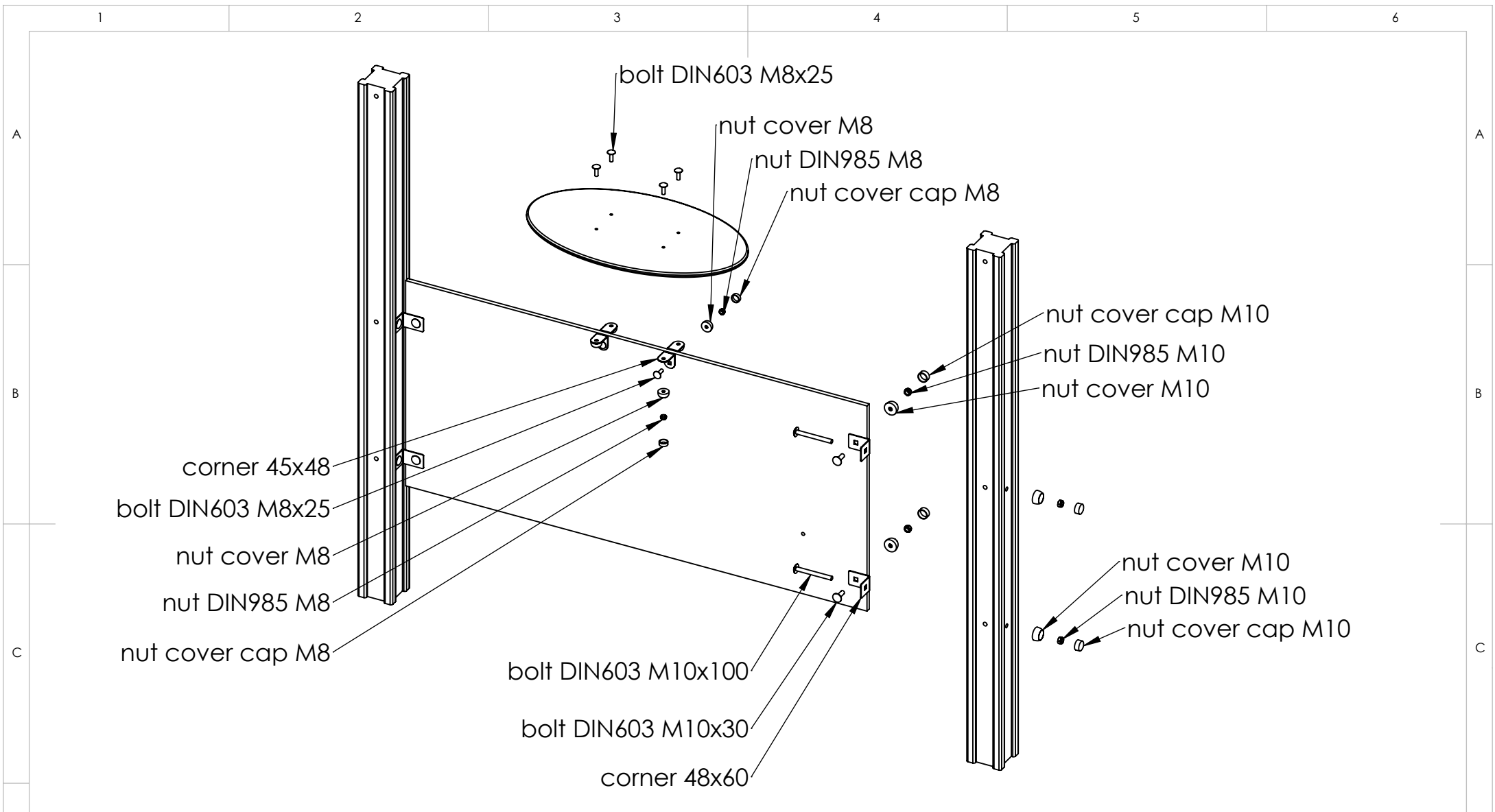
SCALE: 1:8


SHEET 6 OF 14

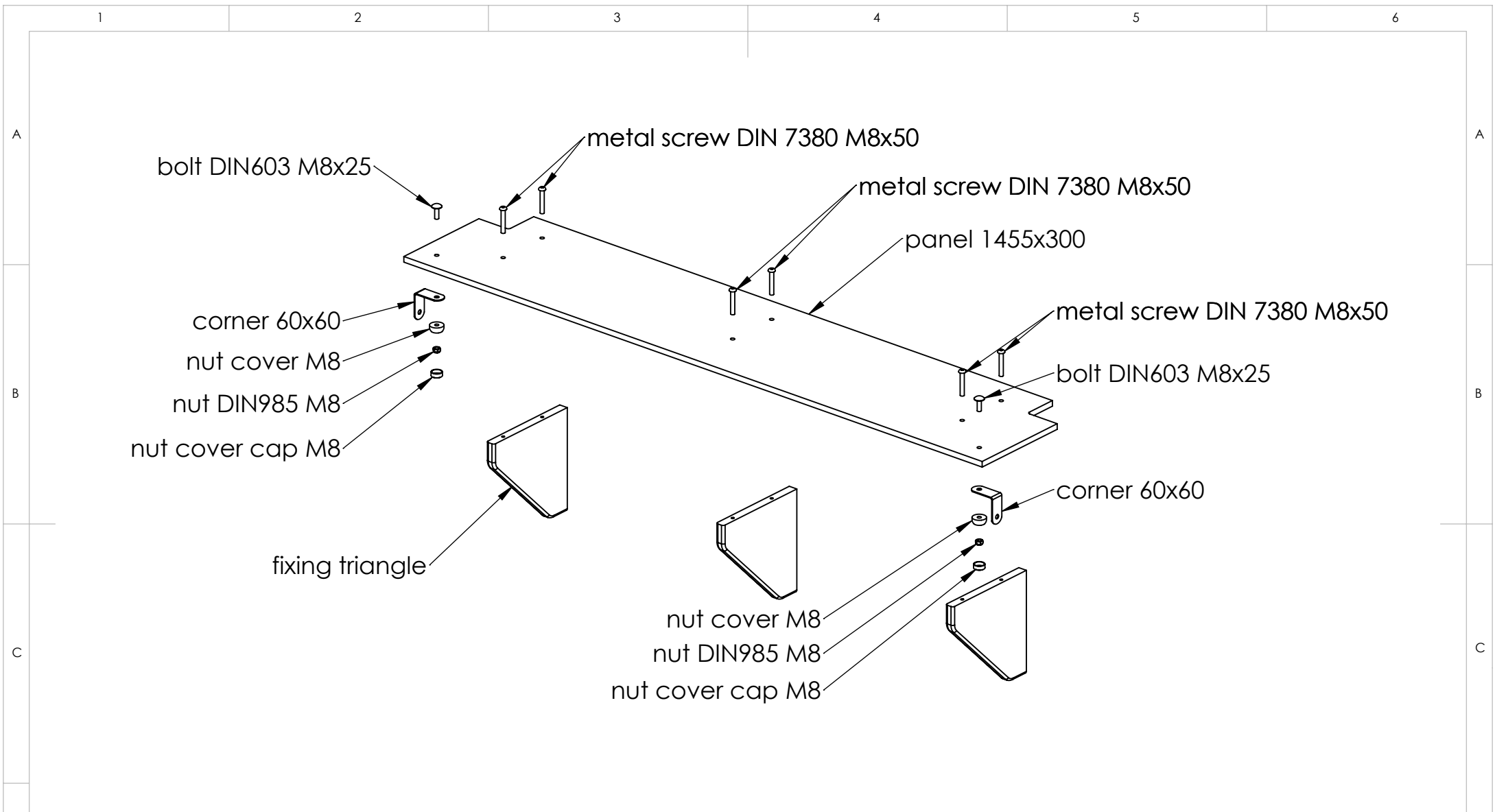



Tiptaptap OÜ

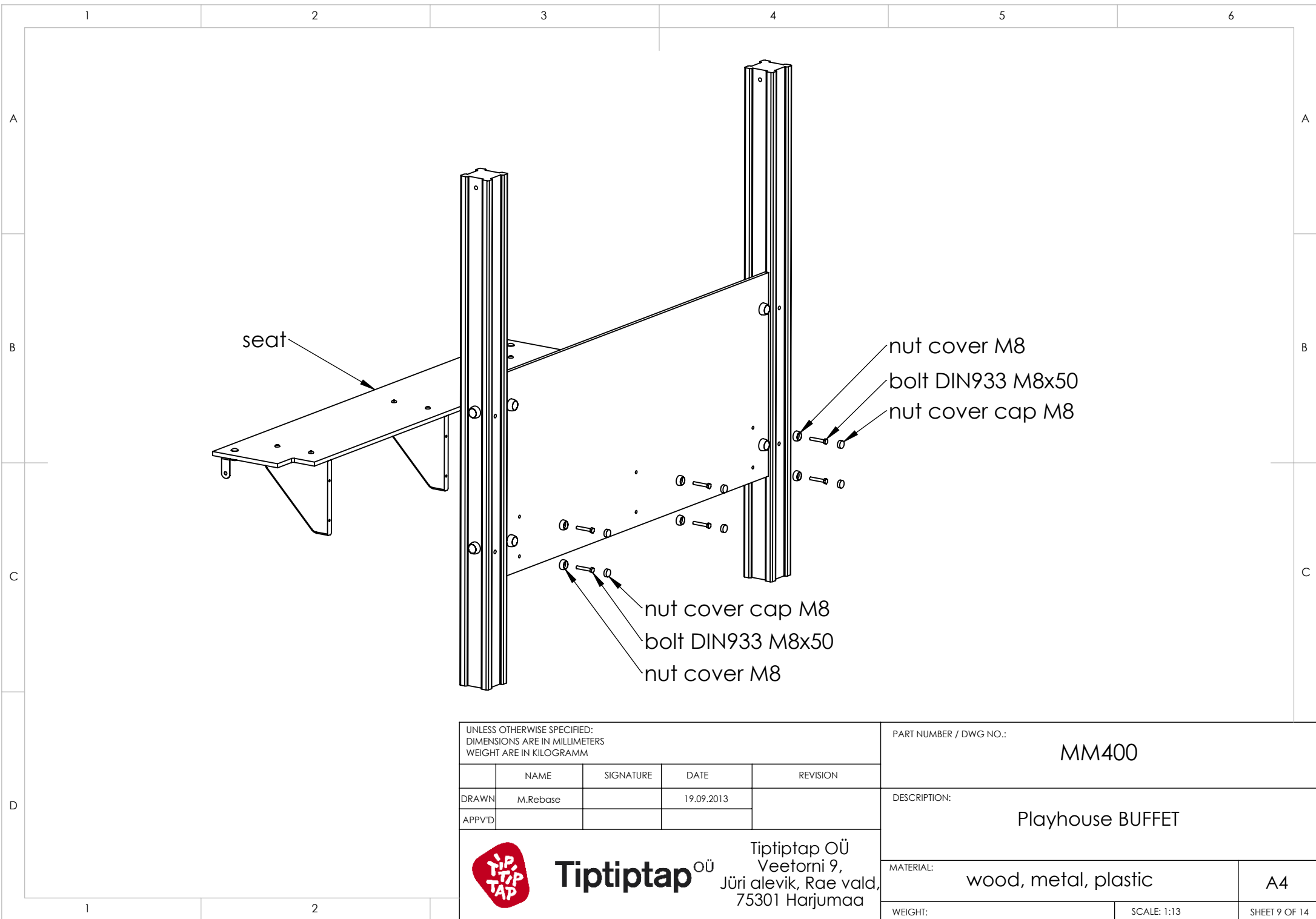
Tiptaptap OÜ
Veetorni 9,
Jüri alevik, Rae vald,
75301 Harjumaa



UNLESS OTHERWISE SPECIFIED: DIMENSIONS ARE IN MILLIMETERS WEIGHT ARE IN KILOGRAMM					PART NUMBER / DWG NO.: MM400	
	NAME	SIGNATURE	DATE	REVISION	DESCRIPTION: Playhouse BUFFET	
DRAWN	M.Rebase		19.09.2013		MATERIAL: wood, metal, plastic	
APPV'D					A4	
 Tiptap OÜ Tiptap OÜ Veetorni 9, Jüri alevik, Rae vald, 75301 Harjumaa					WEIGHT:	
					SCALE: 1:13	
					SHEET 7 OF 14	



UNLESS OTHERWISE SPECIFIED: DIMENSIONS ARE IN MILLIMETERS WEIGHT ARE IN KILOGRAMM					PART NUMBER / DWG NO.: MM400	
	NAME	SIGNATURE	DATE	REVISION	DESCRIPTION: Playhouse BUFFET	
DRAWN	M.Rebase		19.09.2013			
APPV'D						
 Tiptap OÜ Tiptap OÜ Veetorni 9, Jüri alevik, Rae vald, 75301 Harjumaa					MATERIAL:	wood, metal, plastic
					WEIGHT:	SCALE: 1:10



UNLESS OTHERWISE SPECIFIED:
 DIMENSIONS ARE IN MILLIMETERS
 WEIGHT ARE IN KILOGRAMM

PART NUMBER / DWG NO.:
MM400

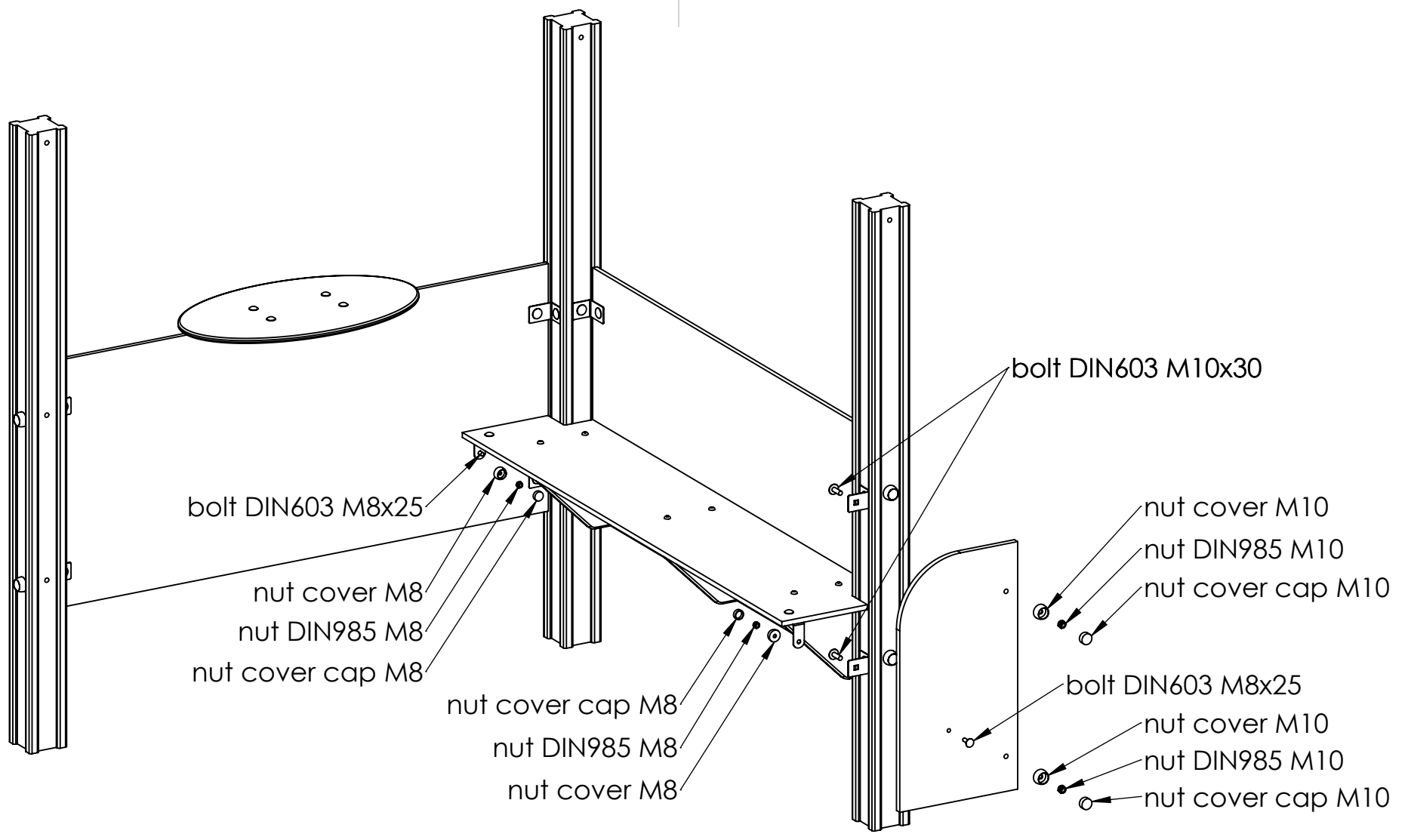
	NAME	SIGNATURE	DATE	REVISION
DRAWN	M.Rebase		19.09.2013	
APPV'D				

DESCRIPTION:
Playhouse BUFFET



Tiptaptap OÜ
 Veetorni 9,
 Jüri alevik, Rae vald,
 75301 Harjumaa

MATERIAL:	wood, metal, plastic	A4
WEIGHT:	SCALE: 1:13	SHEET 9 OF 14



UNLESS OTHERWISE SPECIFIED:
 DIMENSIONS ARE IN MILLIMETERS
 WEIGHT ARE IN KILOGRAMM

	NAME	SIGNATURE	DATE	REVISION
DRAWN	M.Rebase		19.09.2013	
APPV'D				

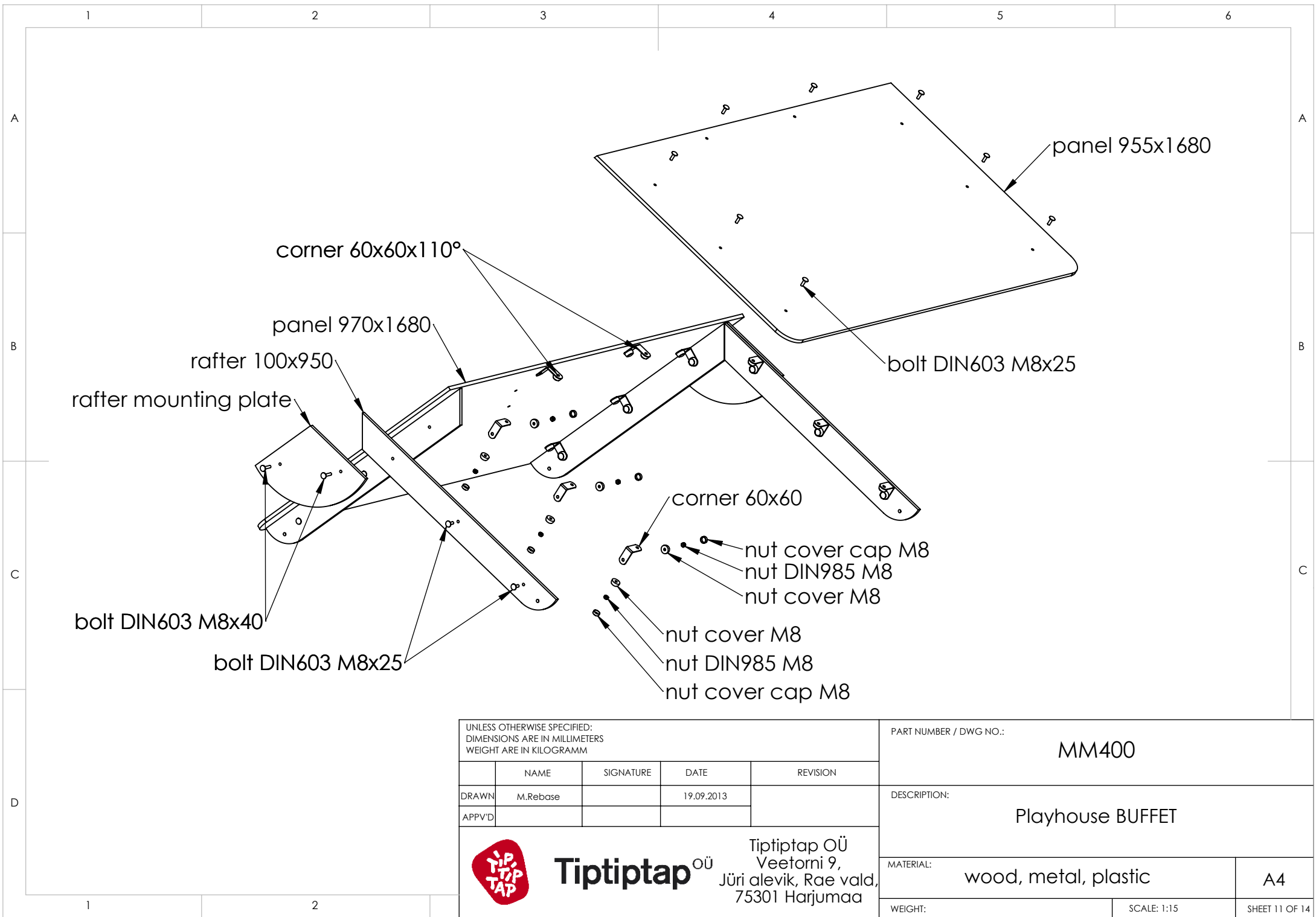
PART NUMBER / DWG NO.:
MM400

DESCRIPTION:
Playhouse BUFFET



Tiptap OÜ
 Tiptap OÜ
 Veetorni 9,
 Jüri alevik, Rae vald,
 75301 Harjumaa

MATERIAL:	wood, metal, plastic	A4
WEIGHT:		SCALE: 1:13
		SHEET 10 OF 14



UNLESS OTHERWISE SPECIFIED:
 DIMENSIONS ARE IN MILLIMETERS
 WEIGHT ARE IN KILOGRAMM

PART NUMBER / DWG NO.:
MM400

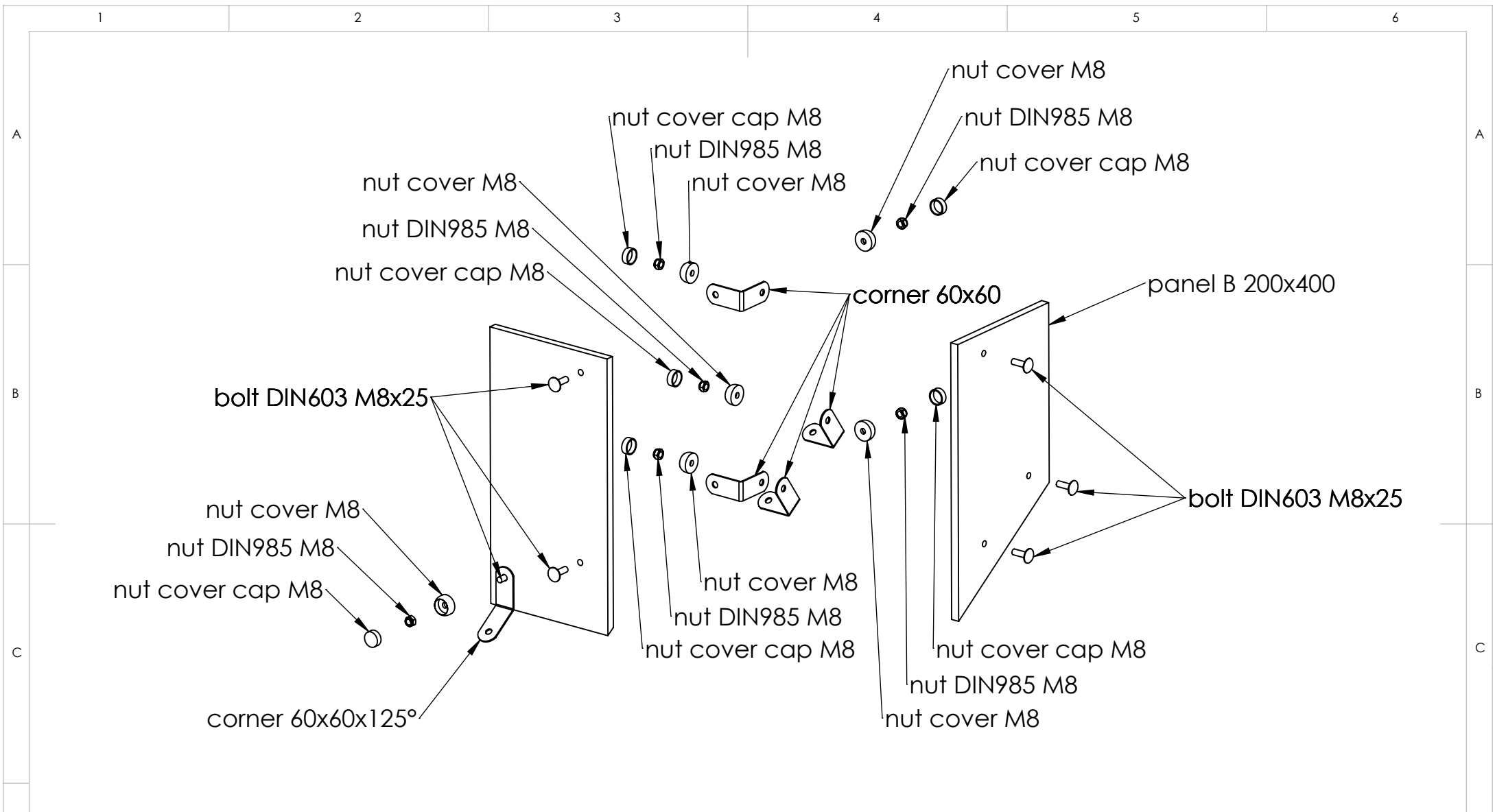
	NAME	SIGNATURE	DATE	REVISION
DRAWN	M.Rebase		19.09.2013	
APPV'D				

DESCRIPTION:
Playhouse BUFFET



Tiptiptap OÜ
 Veetorni 9,
 Jüri alevik, Rae vald,
 75301 Harjumaa

MATERIAL:	wood, metal, plastic	A4
WEIGHT:	SCALE: 1:15	SHEET 11 OF 14



UNLESS OTHERWISE SPECIFIED:
 DIMENSIONS ARE IN MILLIMETERS
 WEIGHT ARE IN KILOGRAMM

	NAME	SIGNATURE	DATE	REVISION
DRAWN	M.Rebase		19.09.2013	
APPV'D				



Tiptiptap OÜ
 Tiptiptap OÜ
 Veetorni 9,
 Jüri alevik, Rae vald,
 75301 Harjumaa

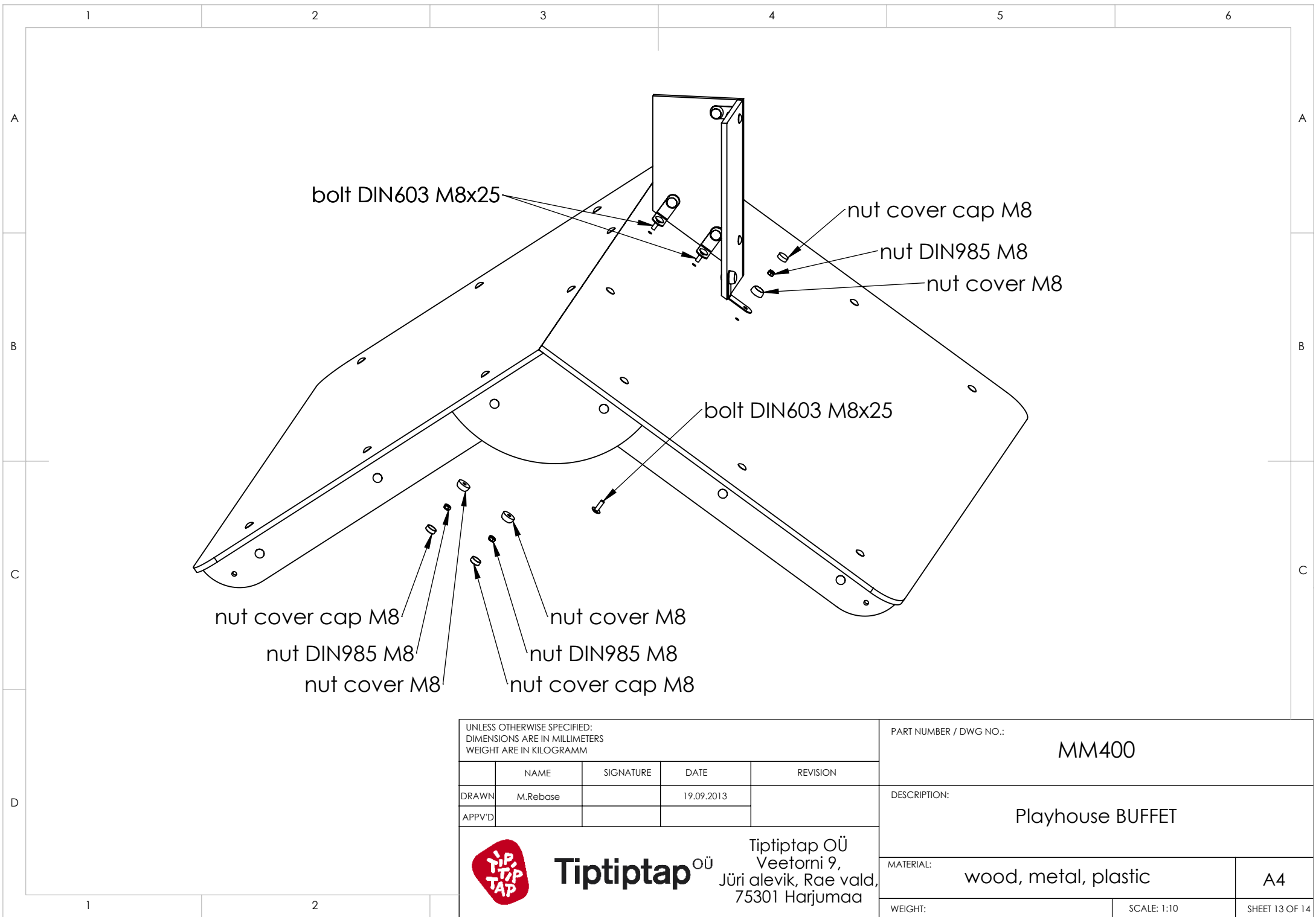
PART NUMBER / DWG NO.:
MM400

DESCRIPTION:
Playhouse BUFFET

MATERIAL: wood, metal, plastic

A4

WEIGHT: SCALE: 1:7 SHEET 12 OF 14



UNLESS OTHERWISE SPECIFIED:
 DIMENSIONS ARE IN MILLIMETERS
 WEIGHT ARE IN KILOGRAMM

PART NUMBER / DWG NO.:
MM400

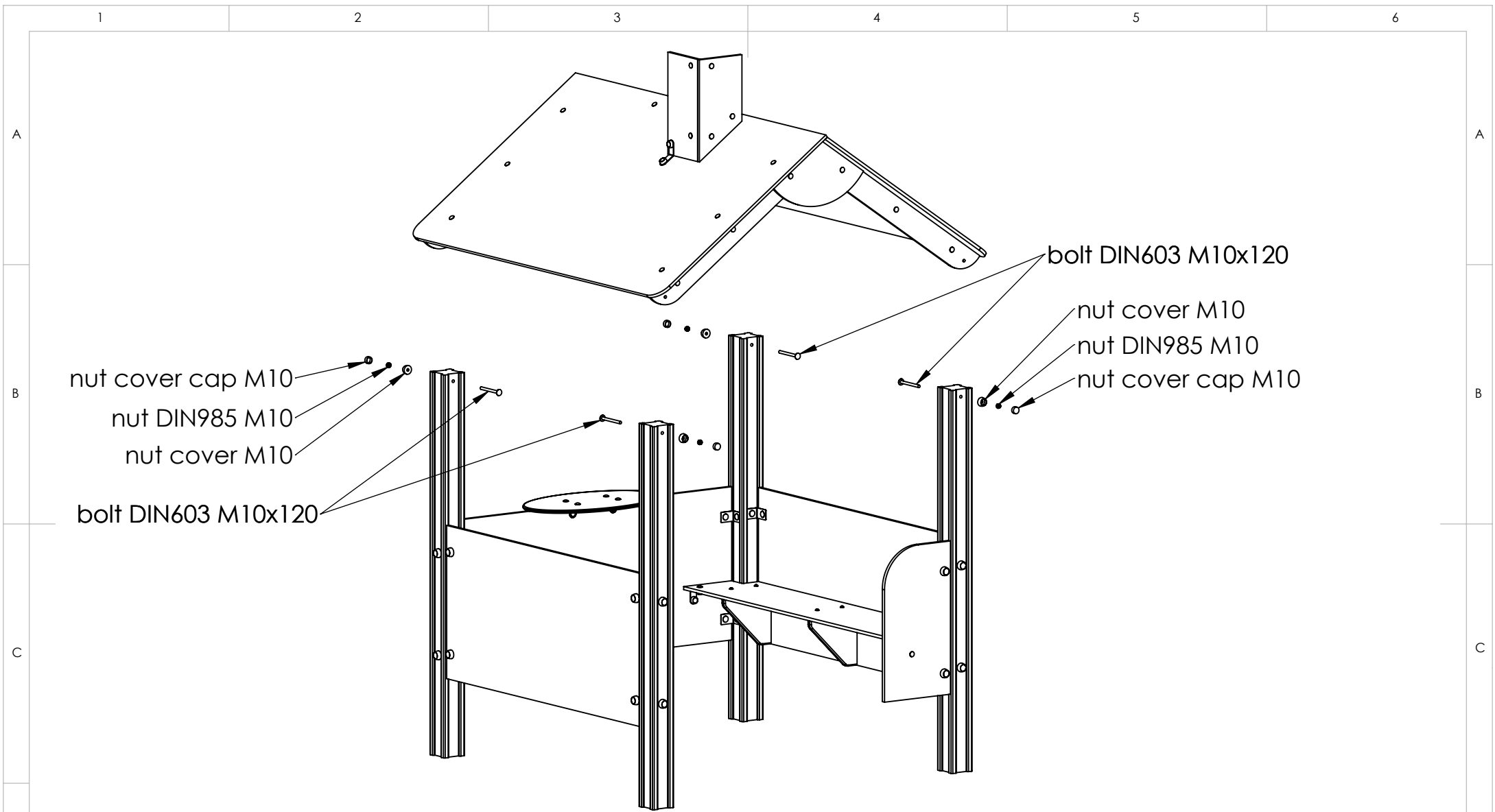
	NAME	SIGNATURE	DATE	REVISION
DRAWN	M.Rebase		19.09.2013	
APPV'D				


DESCRIPTION:
Playhouse BUFFET



Tiptaptap OÜ
 Tiptaptap OÜ
 Veetorni 9,
 Jüri alevik, Rae vald,
 75301 Harjumaa

MATERIAL:	wood, metal, plastic	A4
WEIGHT:		SCALE: 1:10
		SHEET 13 OF 14



UNLESS OTHERWISE SPECIFIED: DIMENSIONS ARE IN MILLIMETERS WEIGHT ARE IN KILOGRAMM					PART NUMBER / DWG NO.: MM400	
	NAME	SIGNATURE	DATE	REVISION	DESCRIPTION: Playhouse BUFFET	
DRAWN	M.Rebase		19.09.2013			
APPV'D						
 Tiptap OÜ Tiptap OÜ Veetorni 9, Jüri alevik, Rae vald, 75301 Harjumaa					MATERIAL:	wood, metal, plastic
					WEIGHT:	SCALE: 1:20