

A

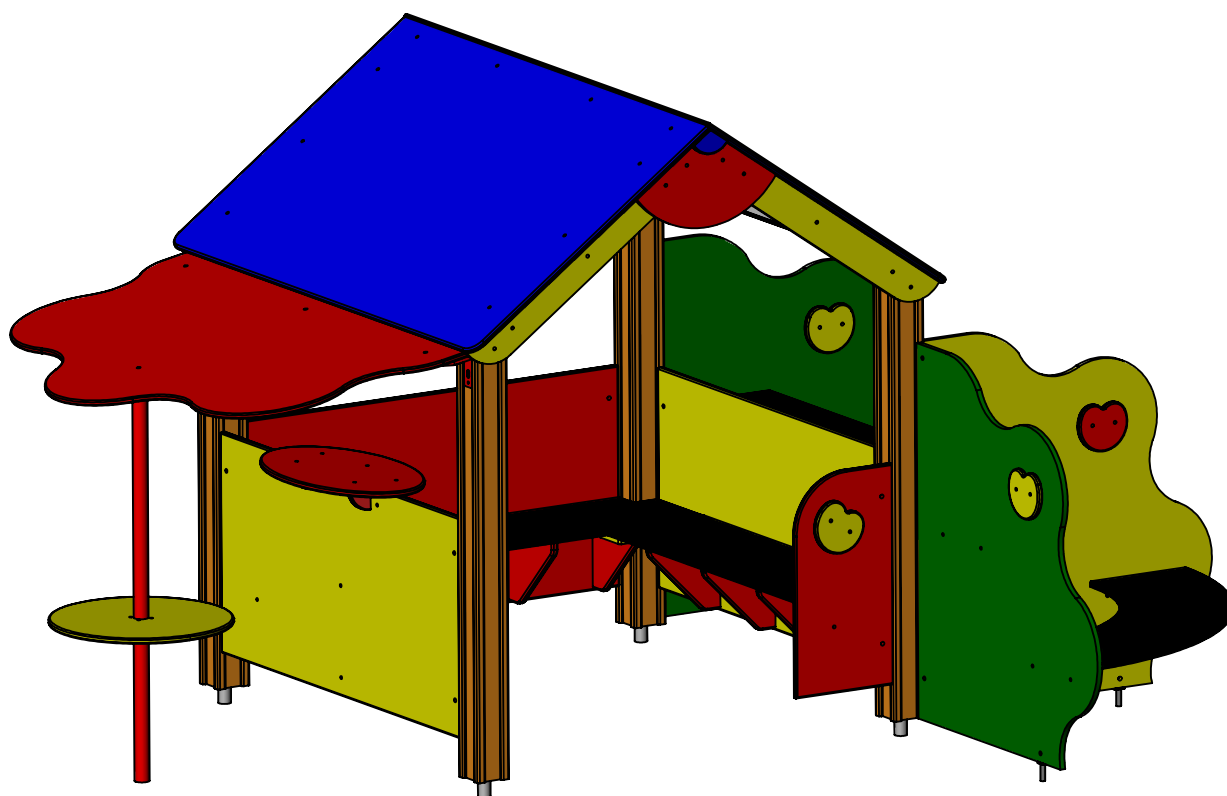
B

C

D

E

F



UNLESS OTHERWISE SPECIFIED:
DIMENSIONS ARE IN MILLIMETERS
WEIGHT ARE IN KILOGRAMM

PART NUMBER / DWG NO.:

MM302

	NAME	SIGNATURE	DATE	REVISION
DRAWN	I.Agar		13.11.2020	
APPV'D				

DESCRIPTION:

Playhouse Apple with bushes



Tiptaptap OÜ

Tiptaptap OÜ
Veetorni 9,
Jüri alevik, Rae vald,
75301 Harjumaa

MATERIAL:

wood, metal, plastic

A4

WEIGHT:

SCALE: 1:20

SHEET 1 OF 18

Safety area

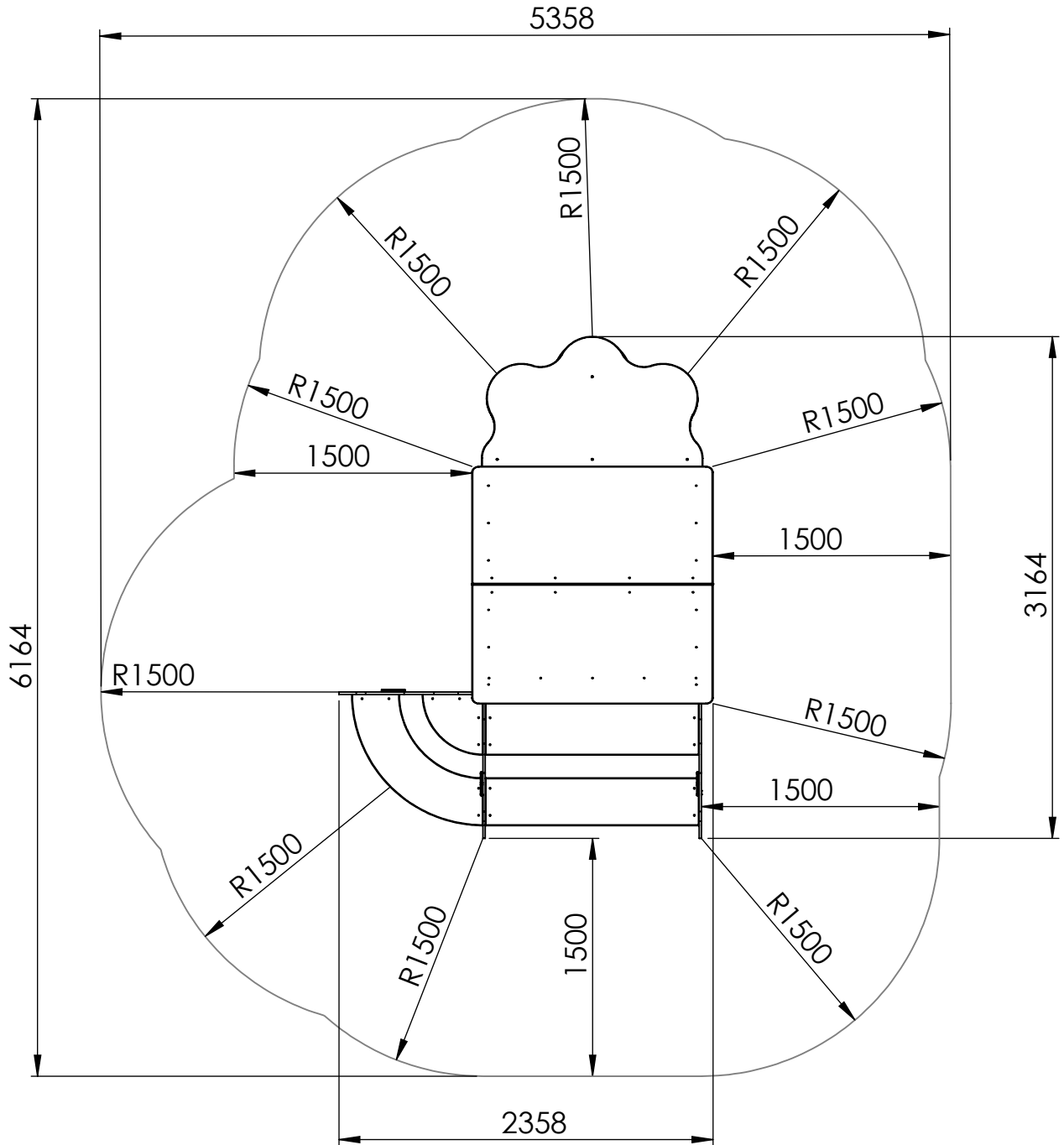
A

B

C

D

E



UNLESS OTHERWISE SPECIFIED:
DIMENSIONS ARE IN MILLIMETERS
WEIGHT ARE IN KILOGRAMM

PART NUMBER / DWG NO.:

MM302

	NAME	SIGNATURE	DATE	REVISION
DRAWN	I.Agar		13.11.2020	
APPV'D				

DESCRIPTION:

Playhouse Apple with bushes



Tiptiptap OÜ

Tiptiptap OÜ
Veetorni 9,
Jüri alevik, Rae vald,
75301 Harjumaa

MATERIAL:

wood, metal, plastic

A4

WEIGHT:

SCALE: 1:40

SHEET 2 OF 18

Foundation

A

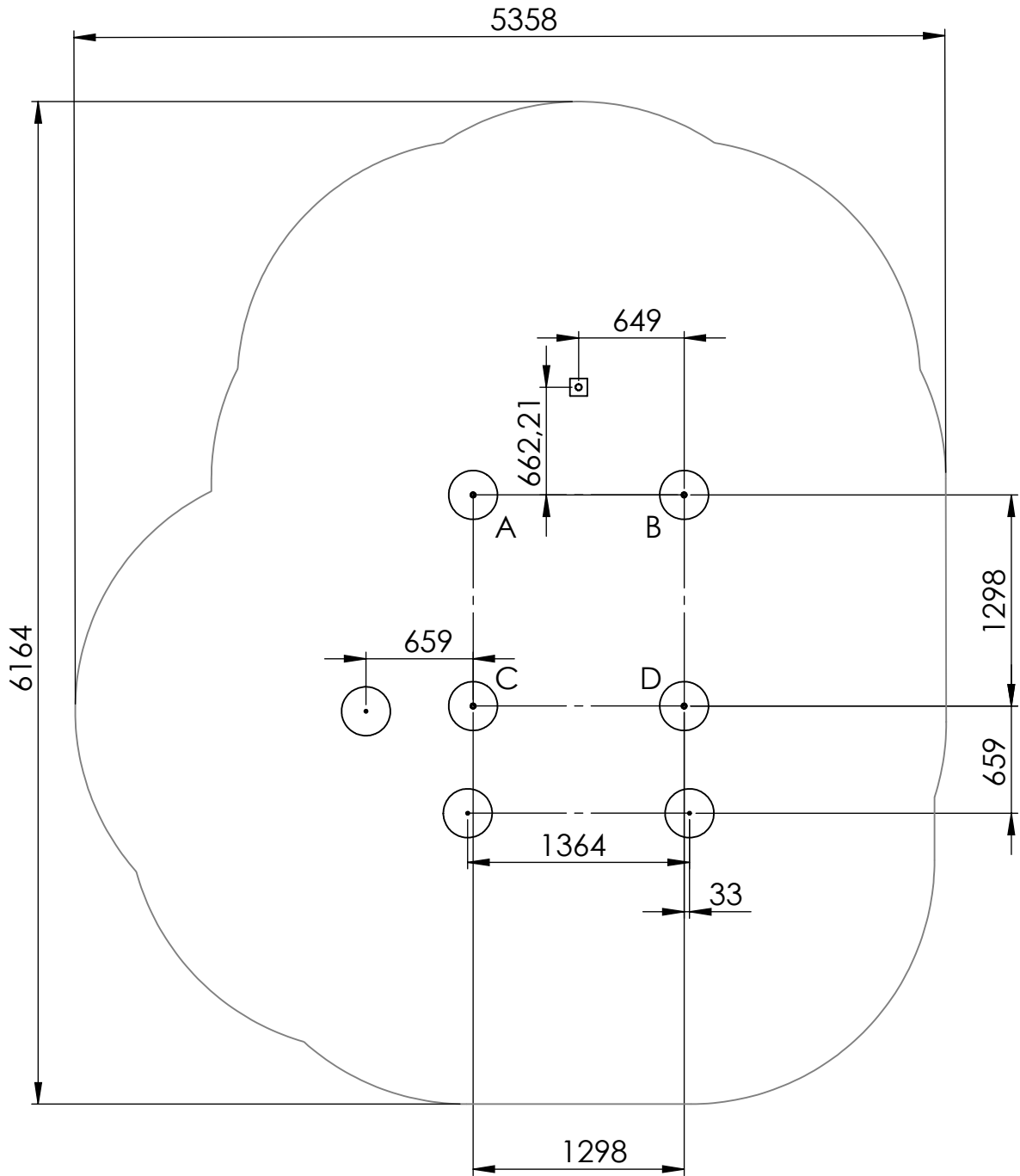
B

C

D

E

F



UNLESS OTHERWISE SPECIFIED: DIMENSIONS ARE IN MILLIMETERS WEIGHT ARE IN KILOGRAMM				
	NAME	SIGNATURE	DATE	REVISION
DRAWN	I.Agar		13.11.2020	
APPV'D				

PART NUMBER / DWG NO.:
MM302

DESCRIPTION:
Playhouse Apple with bushes



Tiptiptap OÜ
Veetorni 9,
Jüri alevik, Rae vald,
75301 Harjumaa

MATERIAL:	wood, metal, plastic	A4
WEIGHT:	SCALE: 1:40	SHEET 3 OF 18

A

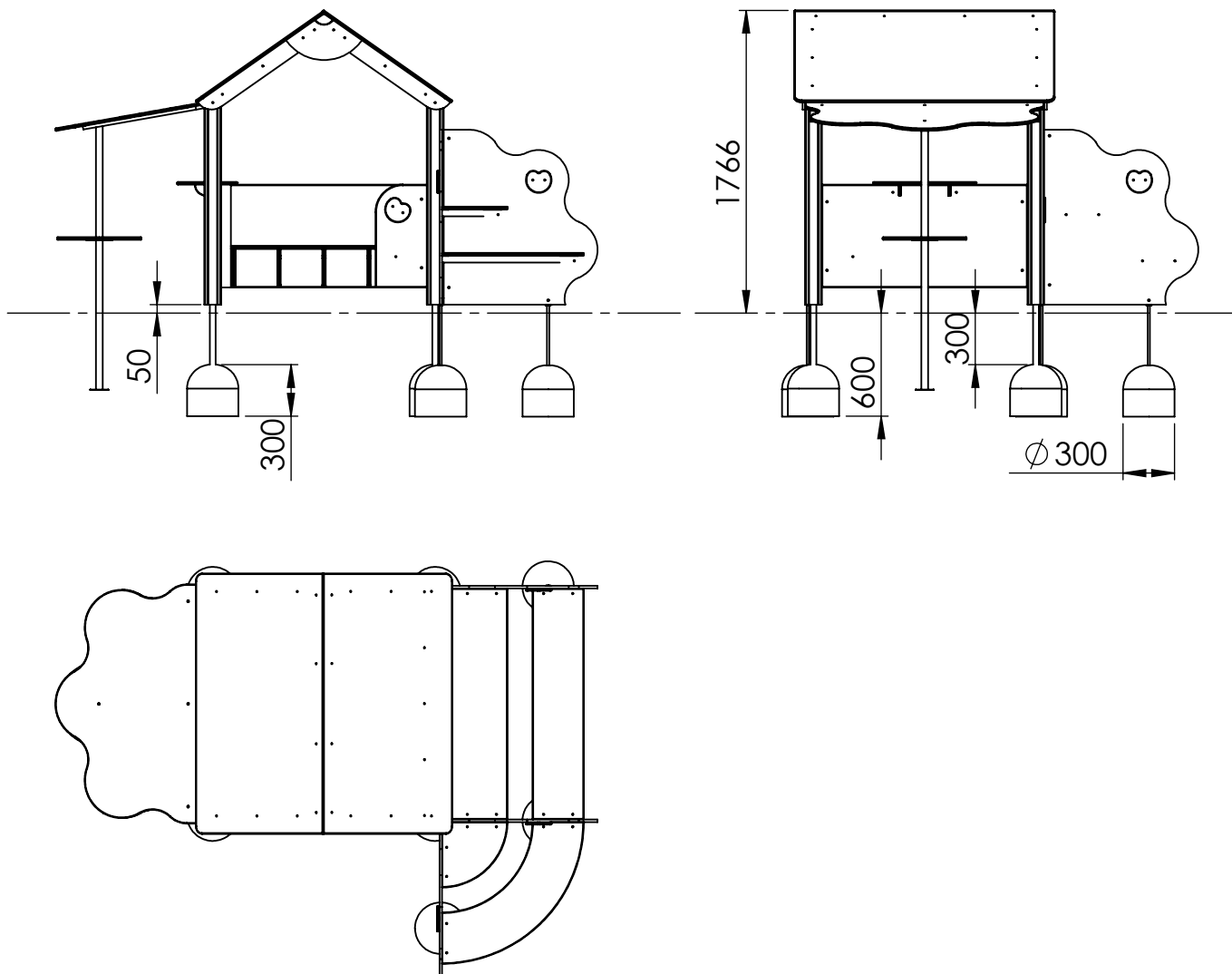
B

C

D

E

F



UNLESS OTHERWISE SPECIFIED:
DIMENSIONS ARE IN MILLIMETERS
WEIGHT ARE IN KILOGRAMM

PART NUMBER / DWG NO.:

MM302

	NAME	SIGNATURE	DATE	REVISION
DRAWN	I.Agar		13.11.2020	
APPV'D				

DESCRIPTION:

Playhouse Apple with bushes

MATERIAL:

wood, metal, plastic

A4

WEIGHT:

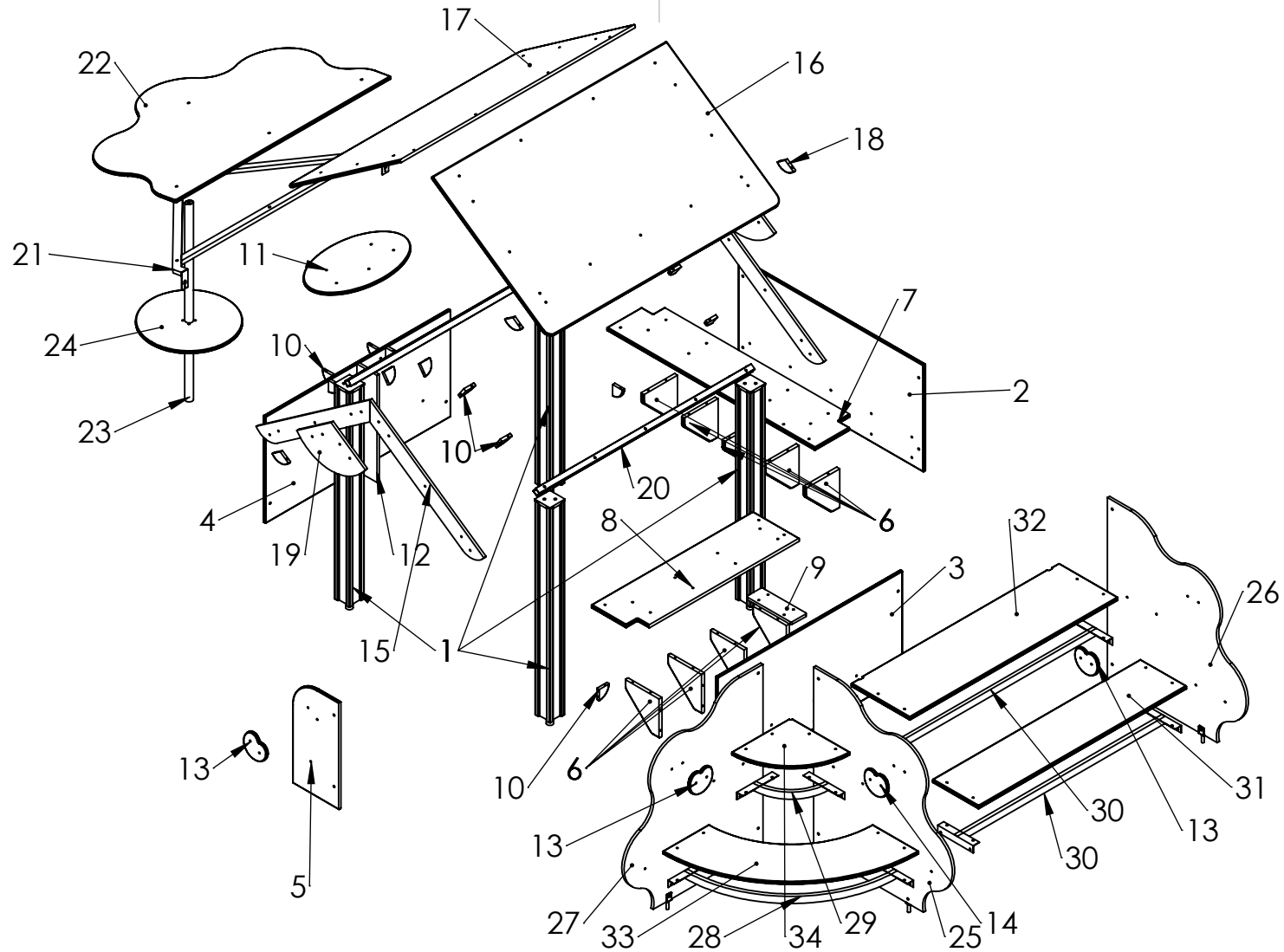
SCALE: 1:40

SHEET 4 OF 18



Tiptiptap OÜ

Tiptiptap OÜ
Veetorni 9,
Jüri alevik, Rae vald,
75301 Harjumaa



UNLESS OTHERWISE SPECIFIED:
 DIMENSIONS ARE IN MILLIMETERS
 WEIGHT ARE IN KILOGRAMM

PART NUMBER / DWG NO.:
MM302

	NAME	SIGNATURE	DATE	REVISION
DRAWN	M. Kalamees		13.11.2020	
APPV'D				

DESCRIPTION:
Playhouse Apple with bushes



Tiptaptap OÜ
 Veetorni 9,
 Jüri alevik, Rae vald,
 75301 Harjumaa

MATERIAL:	wood, metal, plastic	A4
WEIGHT:	SCALE: 1:30	SHEET 5 OF 18

	1	2	3	4																
	ITEM NO.	PART NUMBER	DESCRIPTION	QTY.																
A	1	post 98x98x1200	laminated wood	4																
	2	Apple panel with seat, lower hole 100	HDPE plastic	1																
	3	Apple panel with seat, lower hole 115	HDPE plastic	1																
	4	Apple panel with table	HDPE plastic	1																
	5	Apple entrance panel	HDPE plastic	1																
B	6	220x220 seat, tabel corner	HDPE plastic	9																
	7	Apple seat bigger	HDPE plastic	1																
	8	Apple seat smaller	HDPE plastic	1																
	9	Apple seats connecting plastic 290x100	HDPE plastic	1																
	10	plastic corner 90°	HDPE plastic	14																
	11	Apple table	HDPE plastic	1																
	12	Apple table panel plastic	HDPE plastic	1																
	13	Apple yellow	HDPE plastic	3																
	14	Apple red	HDPE plastic	1																
	15	Apple rafter	HDPE plastic	4																
C	16	Apple roof bigger	HDPE plastic	1																
	17	Apple roof smaller	HDPE plastic	1																
	18	Apple roof corner	HDPE plastic	4																
	19	Apple refter circle	HDPE plastic	2																
	20	Apple roof Aluminium slat	Aluminium	2																
	21	Apple triangular metal	painted steel	1																
	22	Apple roof with wave	HDPE plastic	1																
D	23	Apple post for roof with wave	painted steel	1																
	24	Apple round table	HDPE plastic	1																
	25	Apple bush, lower hole 100	HDPE plastic	1																
	26	Apple bush, lower hole 100	HDPE plastic	1																
	27	Apple bush, lower hole 115	HDPE plastic	1																
	28	Apple with bushes corner seat metal	painted steel	1																
	29	Apple with bushes corner table metal	painted steel	1																
	30	Apple with bushes seat, table metal	painted steel	2																
	31	Apple with bushes outside seat	HDPE plastic	1																
	32	Apple with bushes outside table	HDPE plastic	1																
E	33	Apple with bushes outside corner seat	HDPE plastic	1																
	34	Apple with bushes outside corner table	HDPE plastic	1																
F	UNLESS OTHERWISE SPECIFIED: DIMENSIONS ARE IN MILLIMETERS WEIGHT ARE IN KILOGRAMM			PART NUMBER / DWG NO.: MM302																
	<table border="1"> <thead> <tr> <th></th> <th>NAME</th> <th>SIGNATURE</th> <th>DATE</th> <th>REVISION</th> </tr> </thead> <tbody> <tr> <td>DRAWN</td> <td>I.Agar</td> <td></td> <td>13.11.2020</td> <td></td> </tr> <tr> <td>APP'VD</td> <td></td> <td></td> <td></td> <td></td> </tr> </tbody> </table>				NAME	SIGNATURE	DATE	REVISION	DRAWN	I.Agar		13.11.2020		APP'VD					DESCRIPTION: Playhouse Apple with bushes	
		NAME	SIGNATURE	DATE	REVISION															
	DRAWN	I.Agar		13.11.2020																
APP'VD																				
 Tiptiptap OÜ Veetorni 9, Jüri alevik, Rae vald, 75301 Harjumaa			MATERIAL: wood, metal, plastic																	
			WEIGHT:	SCALE: 1:30	A4 SHEET 6 OF 18															

A

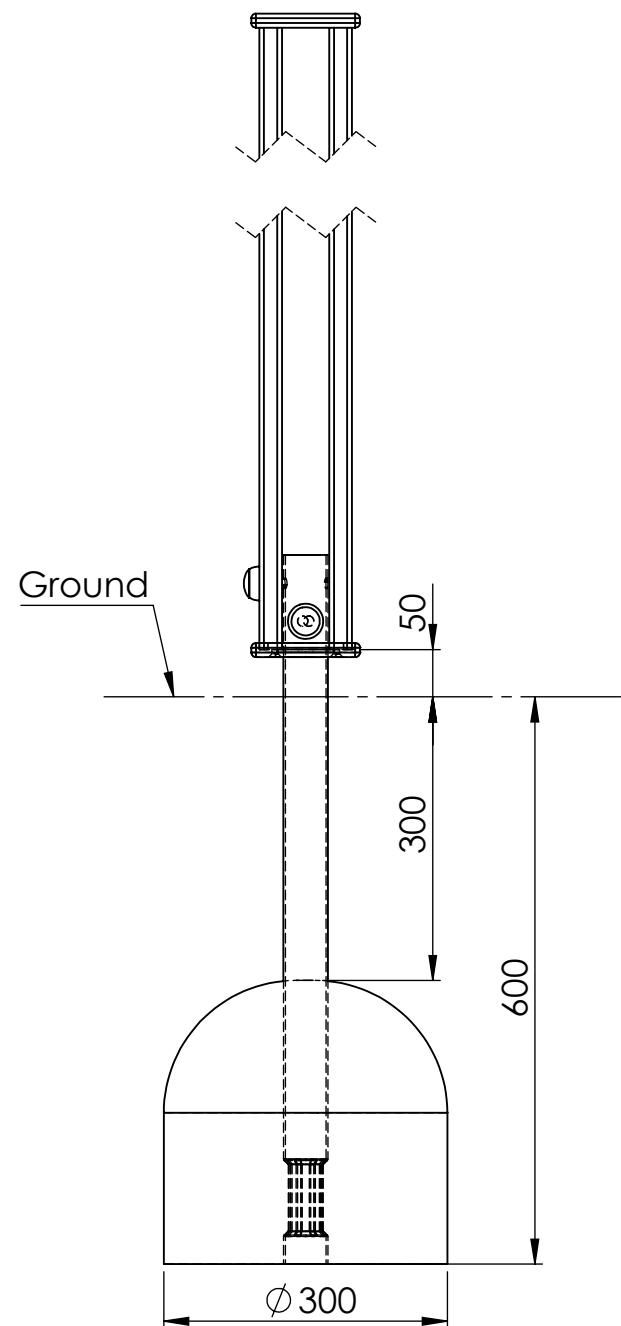
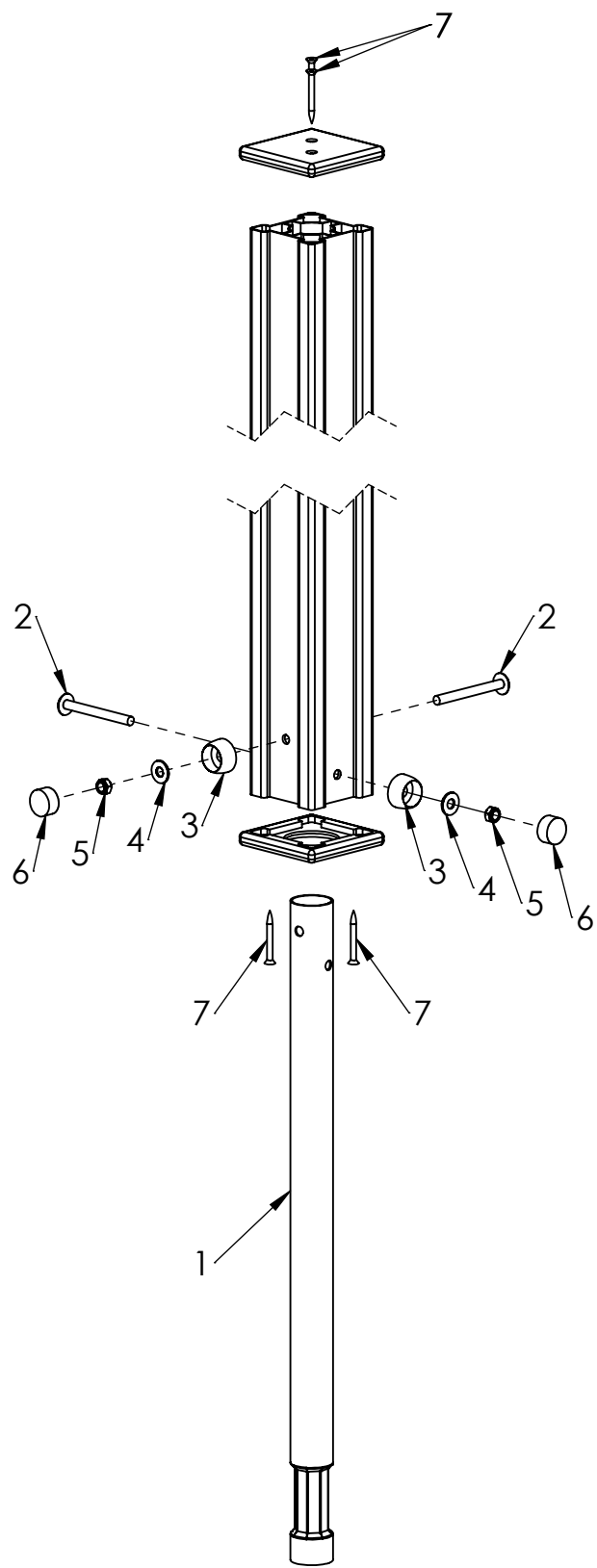
B

C

D

E

F



ITEM NO.	PART NUMBER
1	metal ground fixing L_750
2	bolt DIN603 M10x100
3	nut cover M12
4	Washer M10 DIN9054
5	nut DIN985 M10
6	nut cover cap M12
7	woodscrew 6x60

UNLESS OTHERWISE SPECIFIED:
 DIMENSIONS ARE IN MILLIMETERS
 WEIGHT ARE IN KILOGRAMM

	NAME	SIGNATURE	DATE	REVISION
DRAWN	I.Agar		13.11.2020	
APPV'D				

PART NUMBER / DWG NO.:
MM302

DESCRIPTION:
**Playhouse Apple with bushes
 connecting metal ground fixing to aluminium post**



Tiptiptap OÜ

Tiptiptap OÜ
 Veetorni 9,
 Jüri alevik, Rae vald,
 75301 Harjumaa

MATERIAL: wood, metal, plastic

A4

WEIGHT: SCALE: 1:8 SHEET 7 OF 18

A

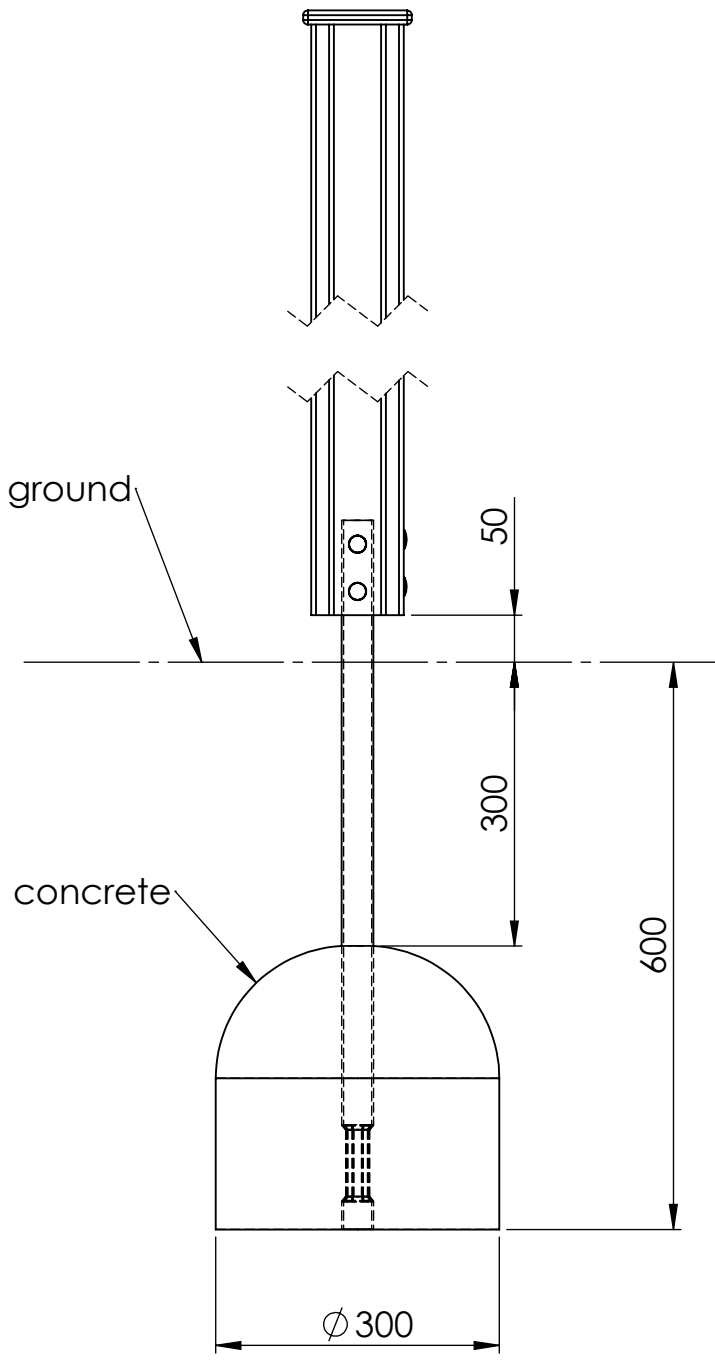
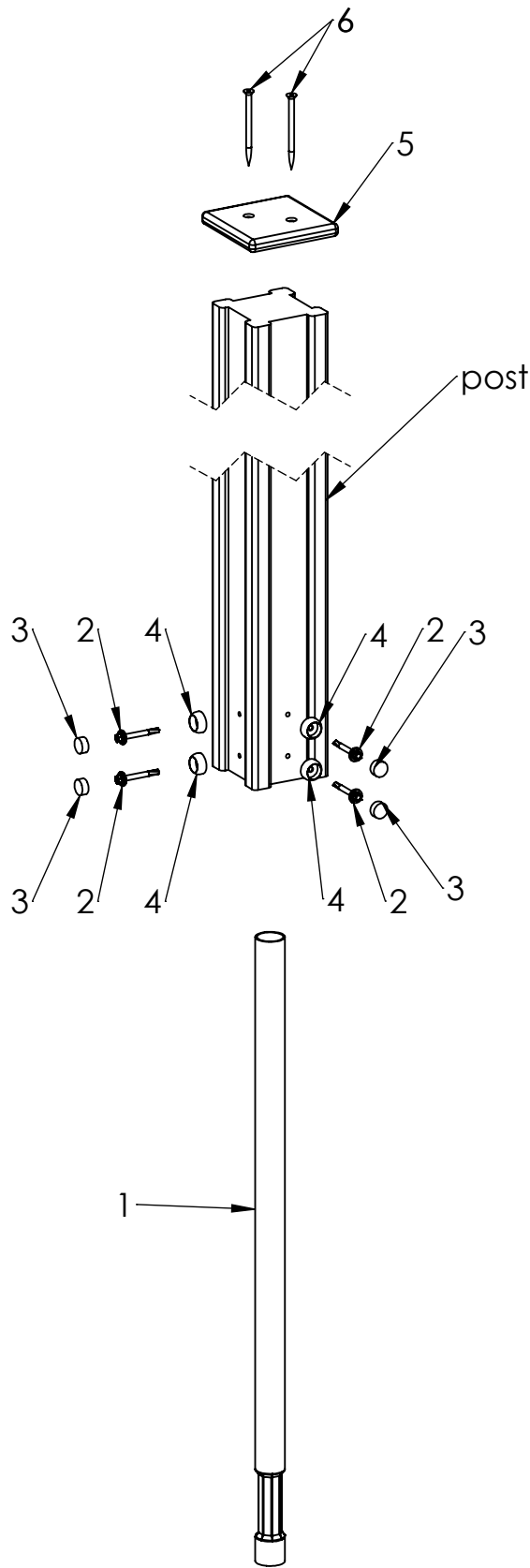
B

C

D

E

F



ITEM NO.	PART NUMBER
1	metal ground fixing L_750
2	screw DIN7504K 5,5x50
3	nut cover cap M6
4	nut cover M6
5	plastic cap 115x115
6	woodscrew 6 x 90

UNLESS OTHERWISE SPECIFIED:
 DIMENSIONS ARE IN MILLIMETERS
 WEIGHT ARE IN KILOGRAMM

	NAME	SIGNATURE	DATE	REVISION
DRAWN	I.Agar		13.11.2020	
APPV'D				

PART NUMBER / DWG NO.:
MM302

DESCRIPTION:
**Playhouse Apple with bushes
 connecting metal ground fixing to post**



Tiptiptap OÜ

Tiptiptap OÜ
 Veetorni 9,
 Jüri alevik, Rae vald,
 75301 Harjumaa

MATERIAL: wood, metal, plastic

A4

WEIGHT: SCALE: 1:8 SHEET 8 OF 18

A

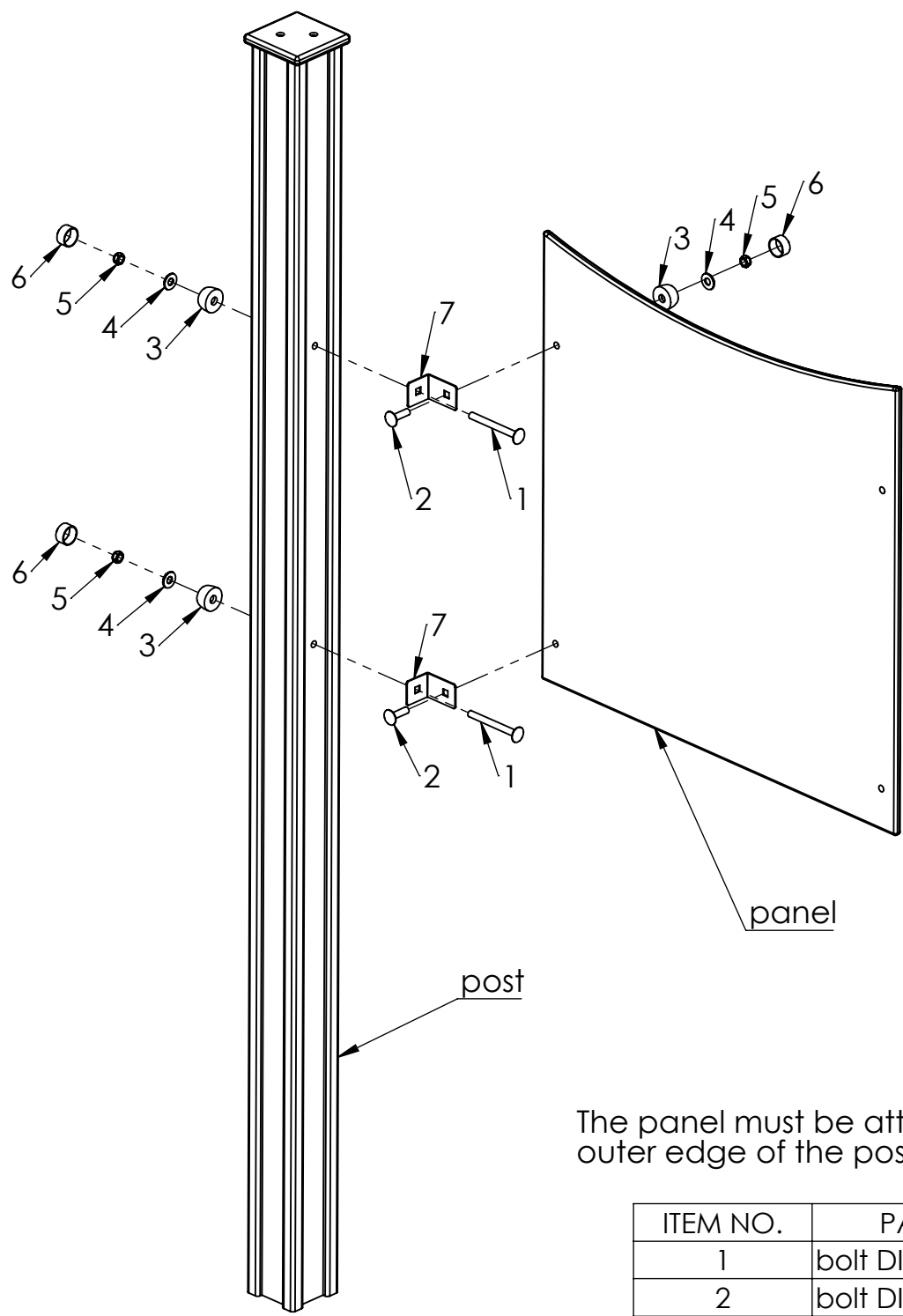
B

C

D

E

F



The panel must be attached to the outer edge of the post !!!

ITEM NO.	PART NUMBER
1	bolt DIN603 M10x100
2	bolt DIN603 M10x35
3	nut cover M12
4	Washer M10 DIN9054
5	nut DIN985 M10
6	nut cover cap M12
7	Corner 90° (45x60)

UNLESS OTHERWISE SPECIFIED:
DIMENSIONS ARE IN MILLIMETERS
WEIGHT ARE IN KILOGRAMM

PART NUMBER / DWG NO.:
MM302

	NAME	SIGNATURE	DATE	REVISION
DRAWN	I.Agar		13.11.2020	
APPV'D				

DESCRIPTION:
Playhouse Apple with bushes connecting panel to post



Tiptaptap OÜ

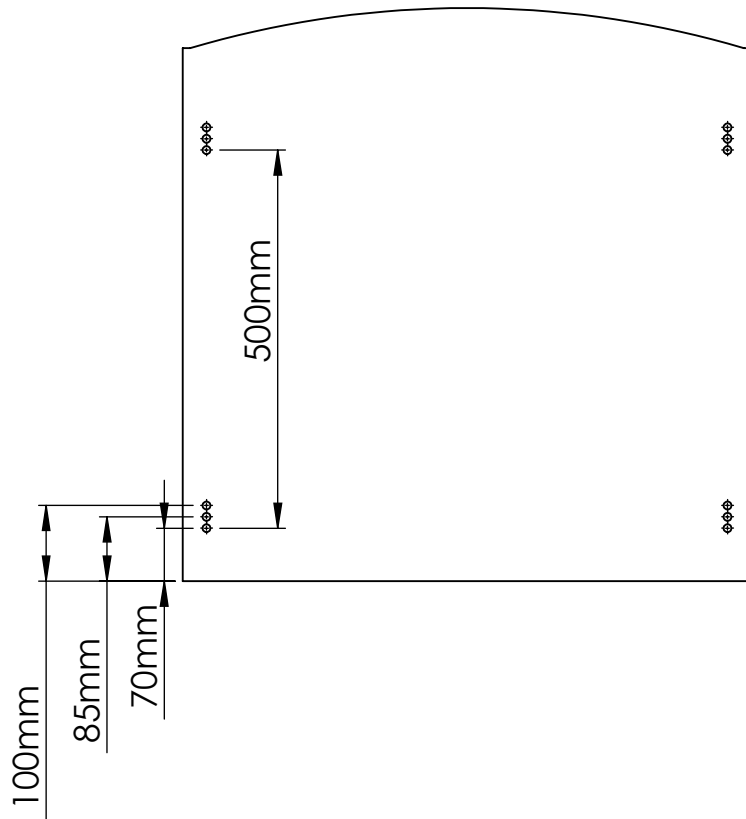
Tiptaptap OÜ
Veetorni 9,
Jüri alevik, Rae vald,
75301 Harjumaa

MATERIAL:
wood, metal, plastic

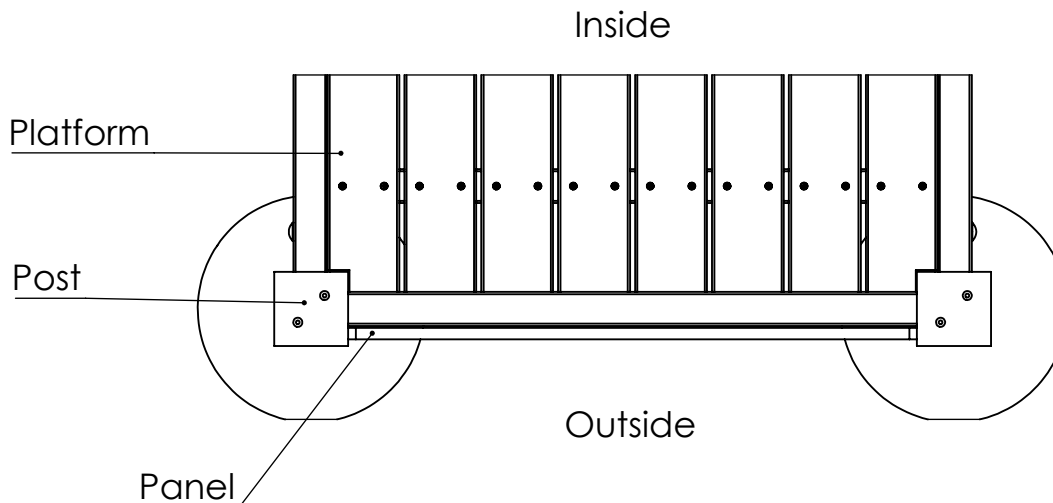
A4

WEIGHT: SCALE: 1:10 SHEET 9 OF 18

Explanation of the 'lower hole' behind the panel name:



The panel must be installed on the post as shown in the picture!



UNLESS OTHERWISE SPECIFIED:
DIMENSIONS ARE IN MILLIMETERS
WEIGHT ARE IN KILOGRAMM

PART NUMBER / DWG NO.:

MM302

	NAME	SIGNATURE	DATE	REVISION
DRAWN	I.Agar		13.11.2020	
APPV'D				

DESCRIPTION:

Playhouse Apple with bushes
connecting panel to post



Tiptiptap OÜ

Tiptiptap OÜ
Veetorni 9,
Jüri alevik, Rae vald,
75301 Harjumaa

MATERIAL:

wood, metal, plastic

A4

WEIGHT:

SCALE: 1:10

SHEET 10 OF 18

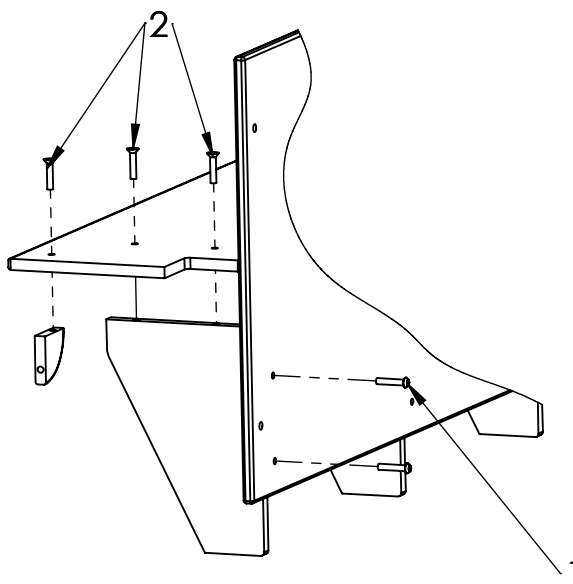
A

B

C

D

E



ITEM NO.	PART NUMBER
1	Art. 9121 TX-PIN M8x40
2	M8x40 DIN7991

UNLESS OTHERWISE SPECIFIED:
DIMENSIONS ARE IN MILLIMETERS
WEIGHT ARE IN KILOGRAMM

PART NUMBER / DWG NO.:

MM302

	NAME	SIGNATURE	DATE	REVISION
DRAWN	I.Agar		13.11.2020	
APPV'D				

DESCRIPTION:

Playhouse Apple with bushes

F



Tiptiptap OÜ

Tiptiptap OÜ
Veetorni 9,
Jüri alevik, Rae vald,
75301 Harjumaa

MATERIAL:

wood, metal, plastic

A4

WEIGHT:

SCALE: 1:10

SHEET 11 OF 18

A

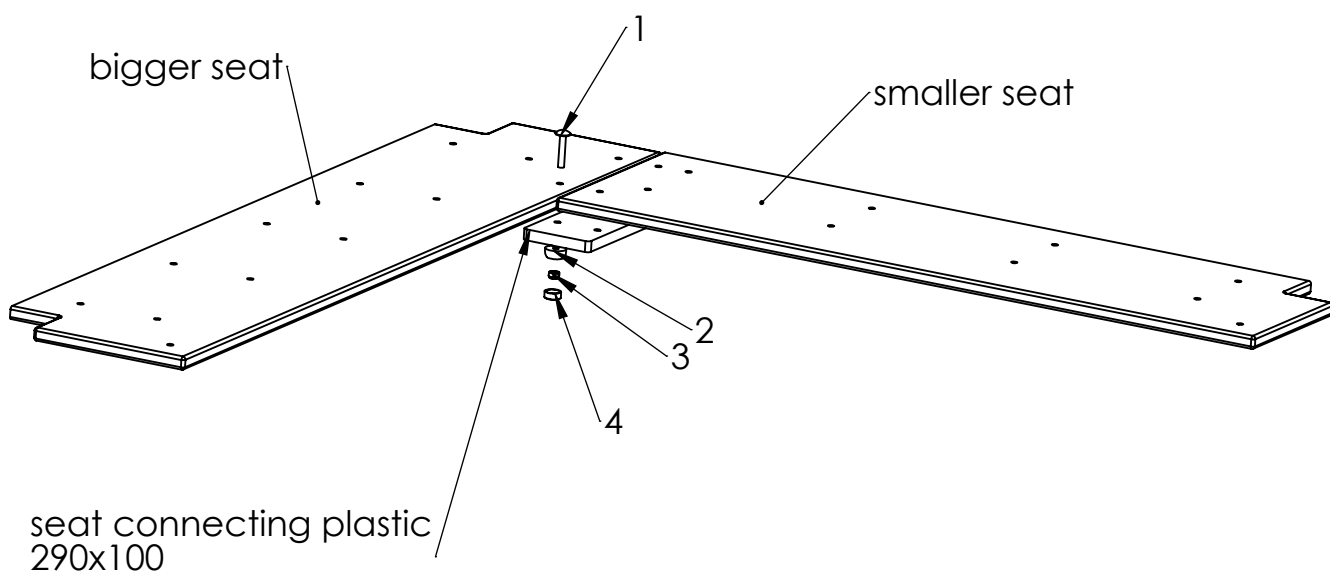
B

C

D

E

F



ITEM NO.	PART NUMBER
1	bolt DIN603 M8x45
2	nut cover M8
3	nut DIN985 M8
4	nut cover cap M8

UNLESS OTHERWISE SPECIFIED:
DIMENSIONS ARE IN MILLIMETERS
WEIGHT ARE IN KILOGRAMM

PART NUMBER / DWG NO.:

MM302

	NAME	SIGNATURE	DATE	REVISION
DRAWN	I.Agar		13.11.2020	
APPV'D				

DESCRIPTION:

Playhouse Apple with bushes

MATERIAL:

wood, metal, plastic

A4

WEIGHT:

SCALE: 1:10

SHEET 12 OF 18



Tiptiptap OÜ

Tiptiptap OÜ
Veetorni 9,
Jüri alevik, Rae vald,
75301 Harjumaa

A

M8x40 PP DIN7991

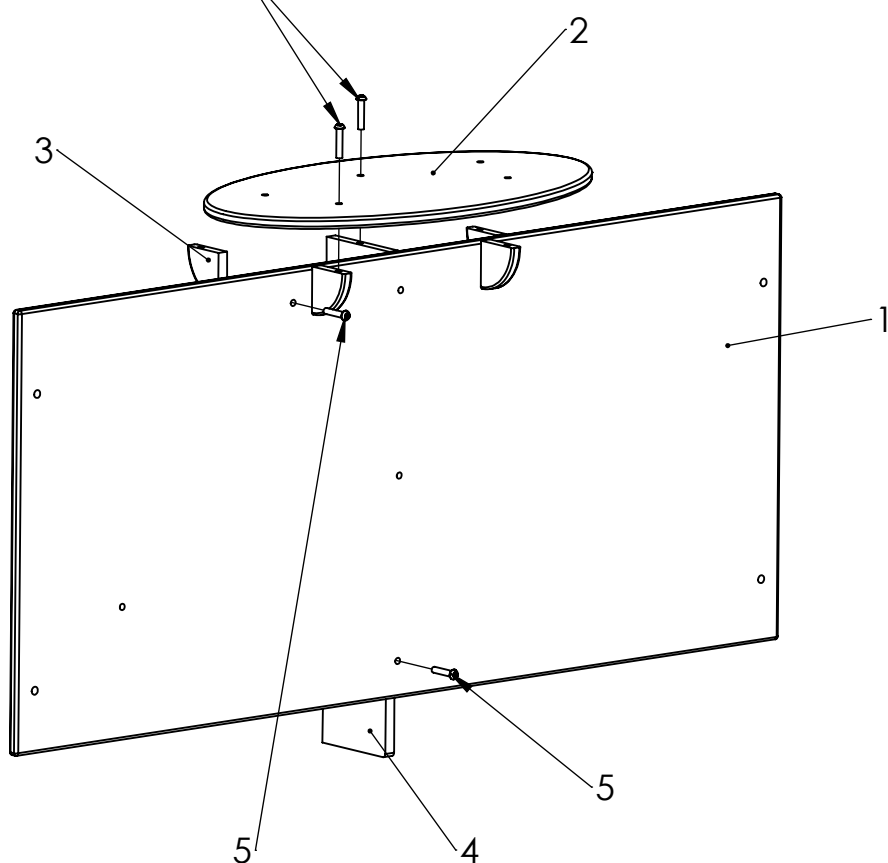
B

C

D

E

F



ITEM NO.	PART NUMBER
1	MM302 table panel
2	MM302 table
3	plastic corner 90°
4	MM302 table panel plastic 600x130
5	Art. 9121 TX-PIN M8x40

UNLESS OTHERWISE SPECIFIED:
DIMENSIONS ARE IN MILLIMETERS
WEIGHT ARE IN KILOGRAMM

PART NUMBER / DWG NO.:

MM302

	NAME	SIGNATURE	DATE	REVISION
DRAWN	I.Agar		13.11.2020	
APPV'D				

DESCRIPTION:

Playhouse Apple with bushes

MATERIAL:

wood, metal, plastic

A4

WEIGHT:

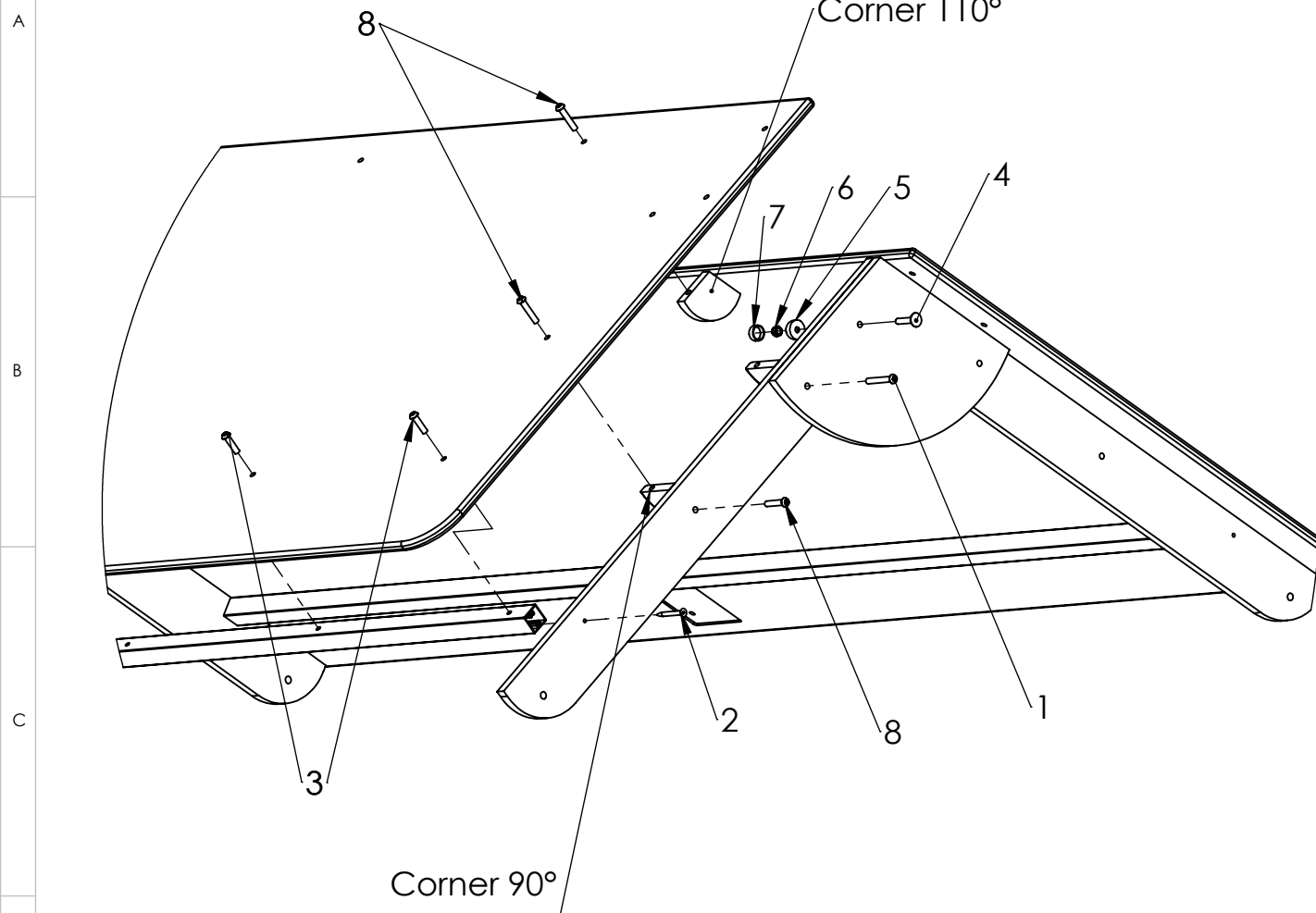
SCALE: 1:10

SHEET 13 OF 18



Tiptaptap OÜ

Tiptaptap OÜ
Veetorni 9,
Jüri alevik, Rae vald,
75301 Harjumaa



ITEM NO.	PART NUMBER
1	bolt DIN7380 M8x50
2	woodscrew 6x60
3	Art. 9121 TX-PIN M8x30
4	bolt DIN603 M8x40
5	nut cover M8
6	nut DIN985 M8
7	nut cover cap M8
8	Art. 9121 TX-PIN M8x40

UNLESS OTHERWISE SPECIFIED:
DIMENSIONS ARE IN MILLIMETERS
WEIGHT ARE IN KILOGRAMM

PART NUMBER / DWG NO.:

MM302

	NAME	SIGNATURE	DATE	REVISION
DRAWN	I.Agar		13.11.2020	
APPV'D				

DESCRIPTION:

Playhouse Apple with bushes

MATERIAL:

wood, metal, plastic

A4

WEIGHT:

SCALE: 1:10

SHEET 14 OF 18



Tiptiptap OÜ

Tiptiptap OÜ
Veetorni 9,
Jüri alevik, Rae vald,
75301 Harjumaa

A

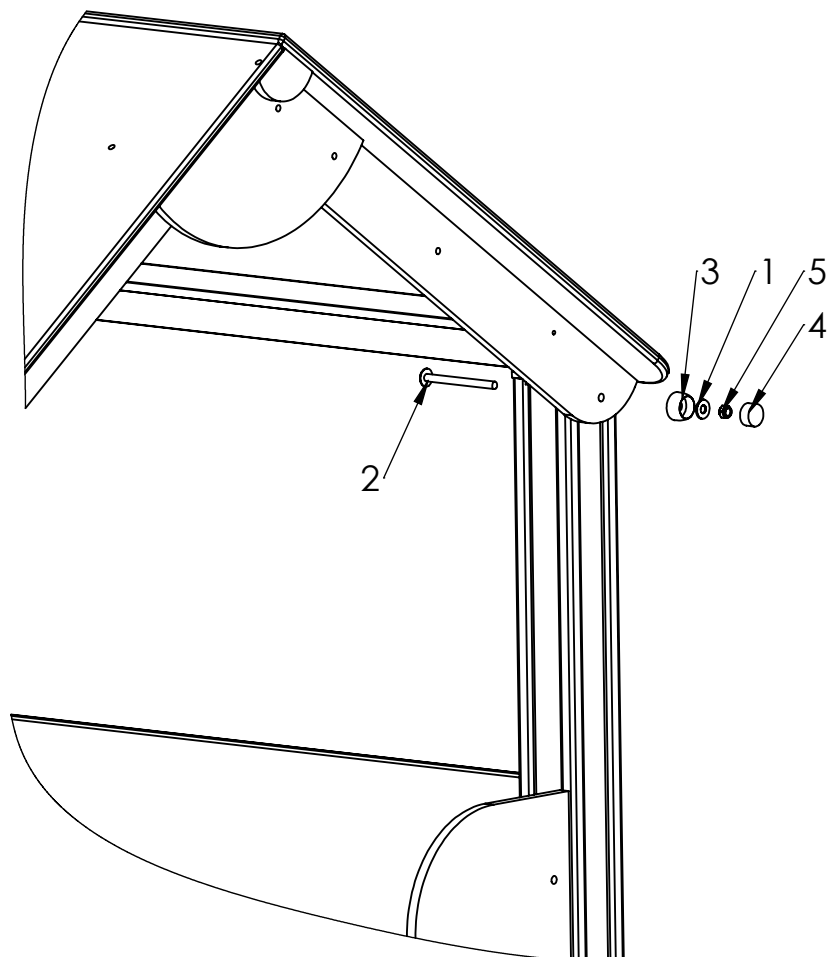
B

C

D

E

F



ITEM NO.	PART NUMBER
1	Washer M10 DIN9054
2	bolt DIN603 M10x120
3	nut cover M12
4	nut cover cap M12
5	nut DIN985 M10

UNLESS OTHERWISE SPECIFIED:
DIMENSIONS ARE IN MILLIMETERS
WEIGHT ARE IN KILOGRAMM

PART NUMBER / DWG NO.:

MM302

	NAME	SIGNATURE	DATE	REVISION
DRAWN	I.Agar		13.11.2020	
APPV'D				

DESCRIPTION:

Playhouse Apple with bushes

MATERIAL:

wood, metal, plastic

A4

WEIGHT:

SCALE: 1:10

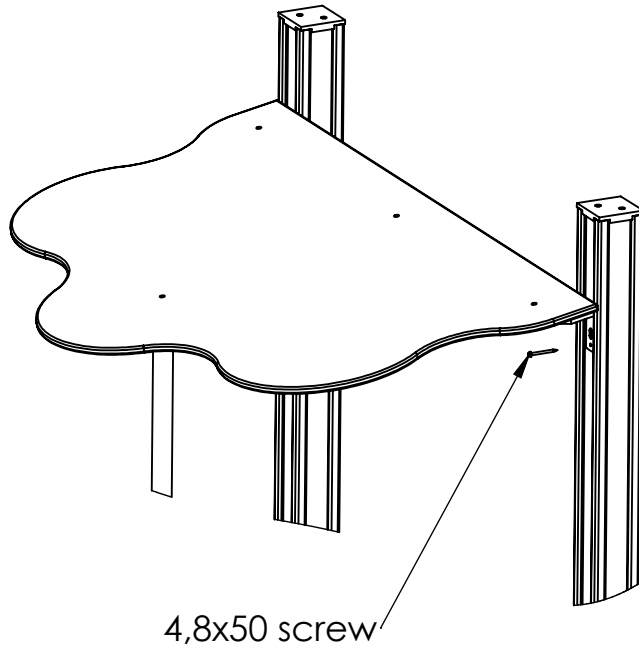
SHEET 15 OF 18



Tiptiptap OÜ

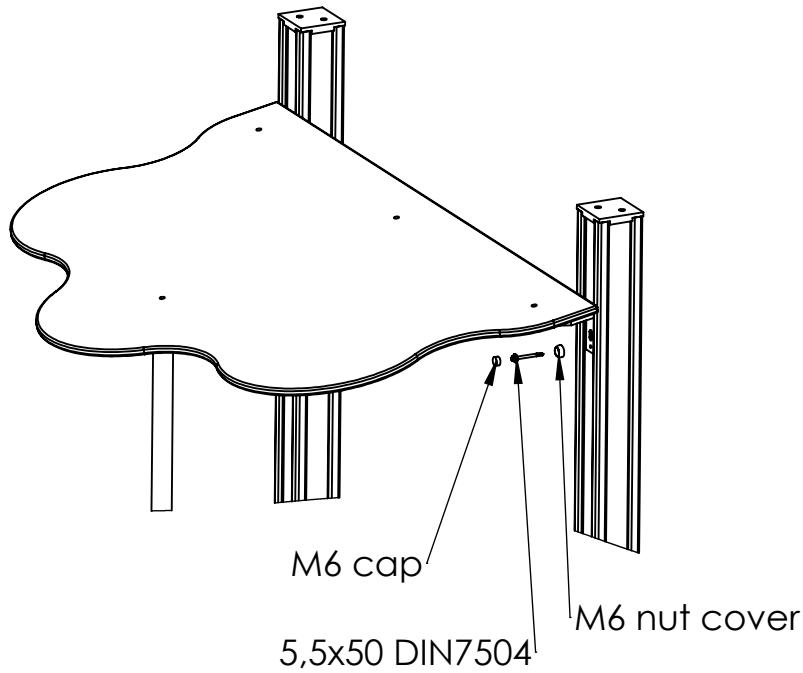
Tiptiptap OÜ
Veetorni 9,
Jüri alevik, Rae vald,
75301 Harjumaa

Wood post version!



Place the wave-shaped roof element to the correct position (against the other roof). Then screw it to the post as shown in the picture and add bolts as shown on the next page

Aluminium post version!



UNLESS OTHERWISE SPECIFIED:
DIMENSIONS ARE IN MILLIMETERS
WEIGHT ARE IN KILOGRAMM

PART NUMBER / DWG NO.:

MM302

	NAME	SIGNATURE	DATE	REVISION
DRAWN	I.Agar		13.11.2020	
APPV'D				

DESCRIPTION:

Playhouse Apple with bushes



Tiptiptap OÜ

Tiptiptap OÜ
Veetorni 9,
Jüri alevik, Rae vald,
75301 Harjumaa

MATERIAL:

wood, metal, plastic

A4

WEIGHT:

SCALE: 1:15

SHEET 16 OF 18

A

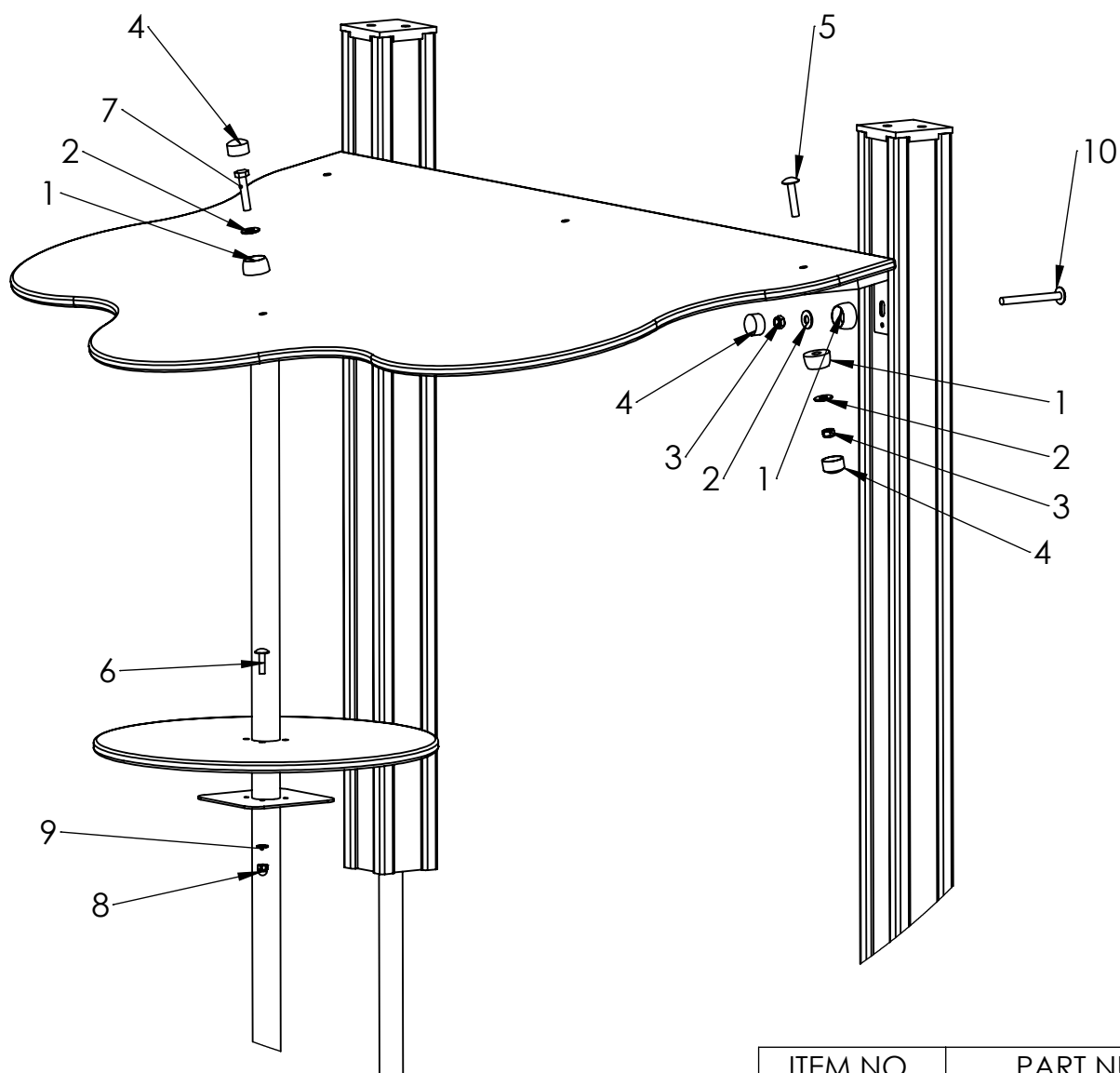
B

C

D

E

F



ITEM NO.	PART NUMBER
1	nut cover M12
2	Washer M10 DIN9054
3	nut DIN985 M10
4	nut cover cap M12
5	bolt DIN603 M10x50
6	bolt DIN603 M8x30
7	bolt DIN933 M10x50
8	domed cap nut DIN1587 M8
9	washer M8 DIN125
10	bolt DIN603 M10x100

UNLESS OTHERWISE SPECIFIED:
DIMENSIONS ARE IN MILLIMETERS
WEIGHT ARE IN KILOGRAMM

PART NUMBER / DWG NO.:

MM302

	NAME	SIGNATURE	DATE	REVISION
DRAWN	I.Agar		13.11.2020	
APPV'D				

DESCRIPTION:

Playhouse Apple with bushes

MATERIAL:

wood, metal, plastic

A4

WEIGHT:

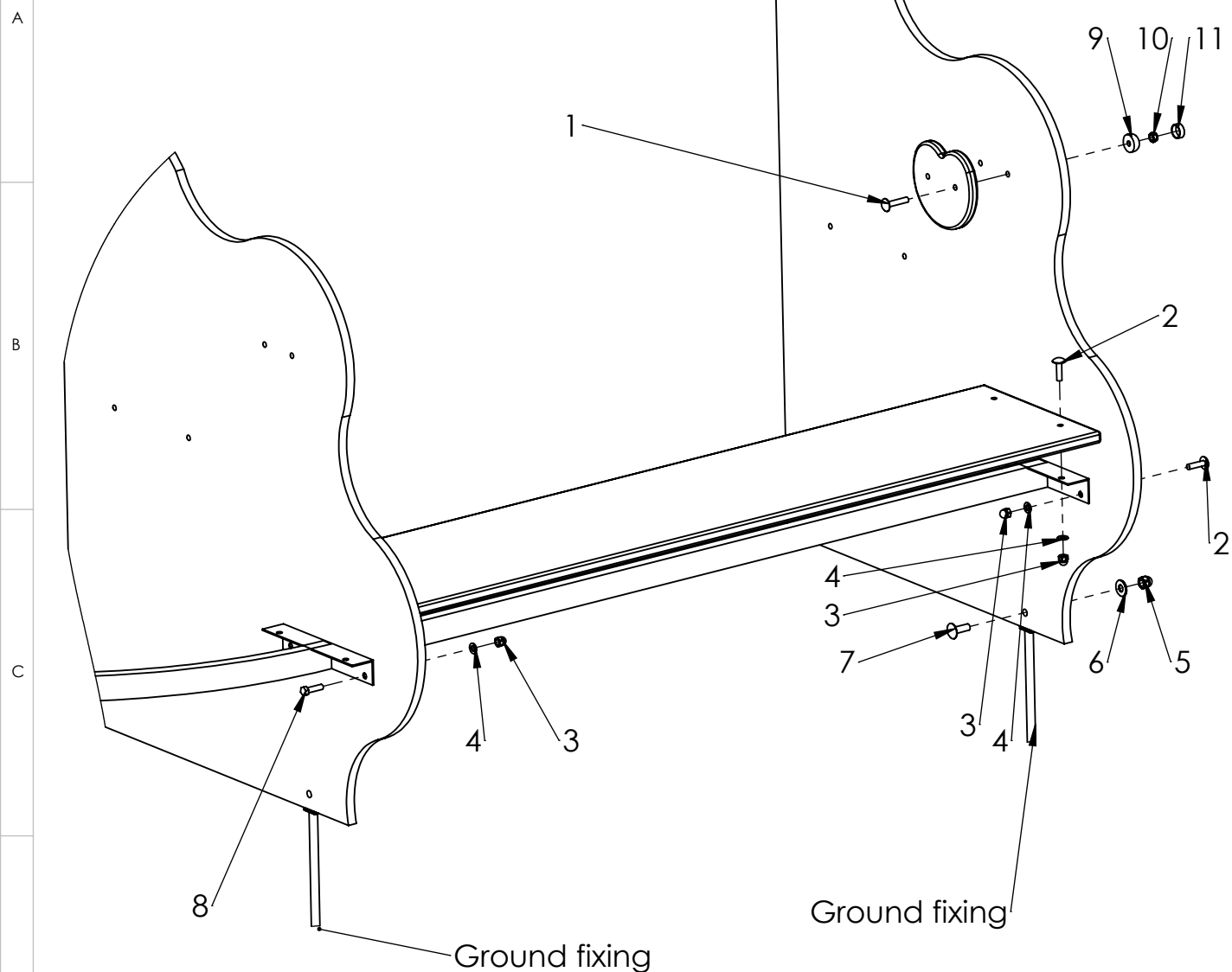
SCALE: 1:10

SHEET 17 OF 18



Tiptiptap OÜ

Tiptiptap OÜ
Veetorni 9,
Jüri alevik, Rae vald,
75301 Harjumaa



ITEM NO.	PART NUMBER
1	bolt DIN603 M8x40
2	bolt DIN603 M8x30
3	domed cap nut DIN1587 M8
4	washer M8 DIN125
5	domed cap nut DIN986 M10
6	Washer M10 DIN9054
7	bolt DIN603 M10x30
8	bolt DIN933 M8x30
9	nut cover M8
10	nut DIN985 M8
11	nut cover cap M8

UNLESS OTHERWISE SPECIFIED:
DIMENSIONS ARE IN MILLIMETERS
WEIGHT ARE IN KILOGRAMM

PART NUMBER / DWG NO.:

MM302

	NAME	SIGNATURE	DATE	REVISION
DRAWN	I.Agar		13.11.2020	
APPV'D				

DESCRIPTION:

Playhouse Apple with bushes

MATERIAL:

wood, metal, plastic

A4

WEIGHT:

SCALE: 1:10

SHEET 18 OF 18



Tiptiptap OÜ

Tiptiptap OÜ
Veetorni 9,
Jüri alevik, Rae vald,
75301 Harjumaa