

A

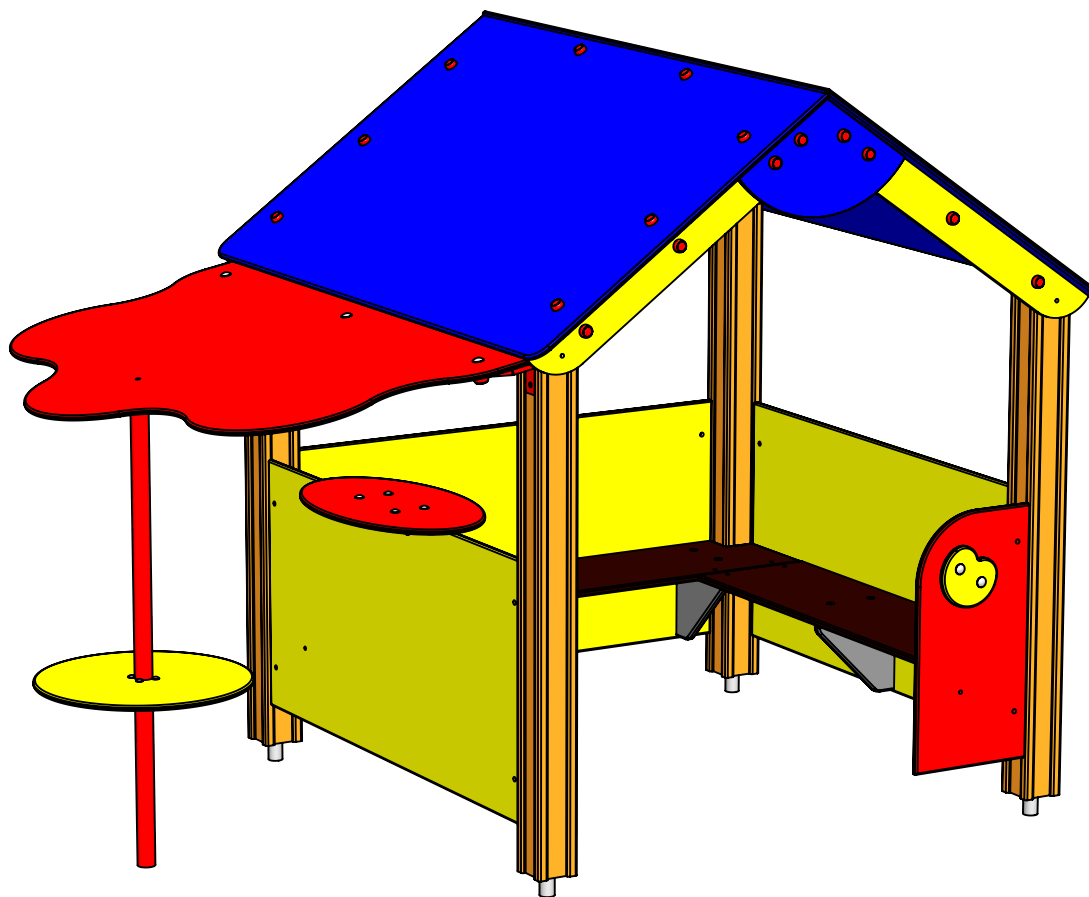
B

C

D

E

F



UNLESS OTHERWISE SPECIFIED:  
DIMENSIONS ARE IN MILLIMETERS  
WEIGHT ARE IN KILOGRAMM

PART NUMBER / DWG NO.:

MM301

|        | NAME     | SIGNATURE | DATE       | REVISION |
|--------|----------|-----------|------------|----------|
| DRAWN  | M.Rebase |           | 12.12.2014 |          |
| APPV'D |          |           |            |          |

DESCRIPTION:

Playhouse APPLE



**Tiptaptap** OÜ

Tiptaptap OÜ  
Veetorni 9,  
Jüri alevik, Rae vald,  
75301 Harjumaa

MATERIAL:

wood, metal, plastic

A4

WEIGHT:

SCALE: 1:15

SHEET 1 OF 13

# safety area

A

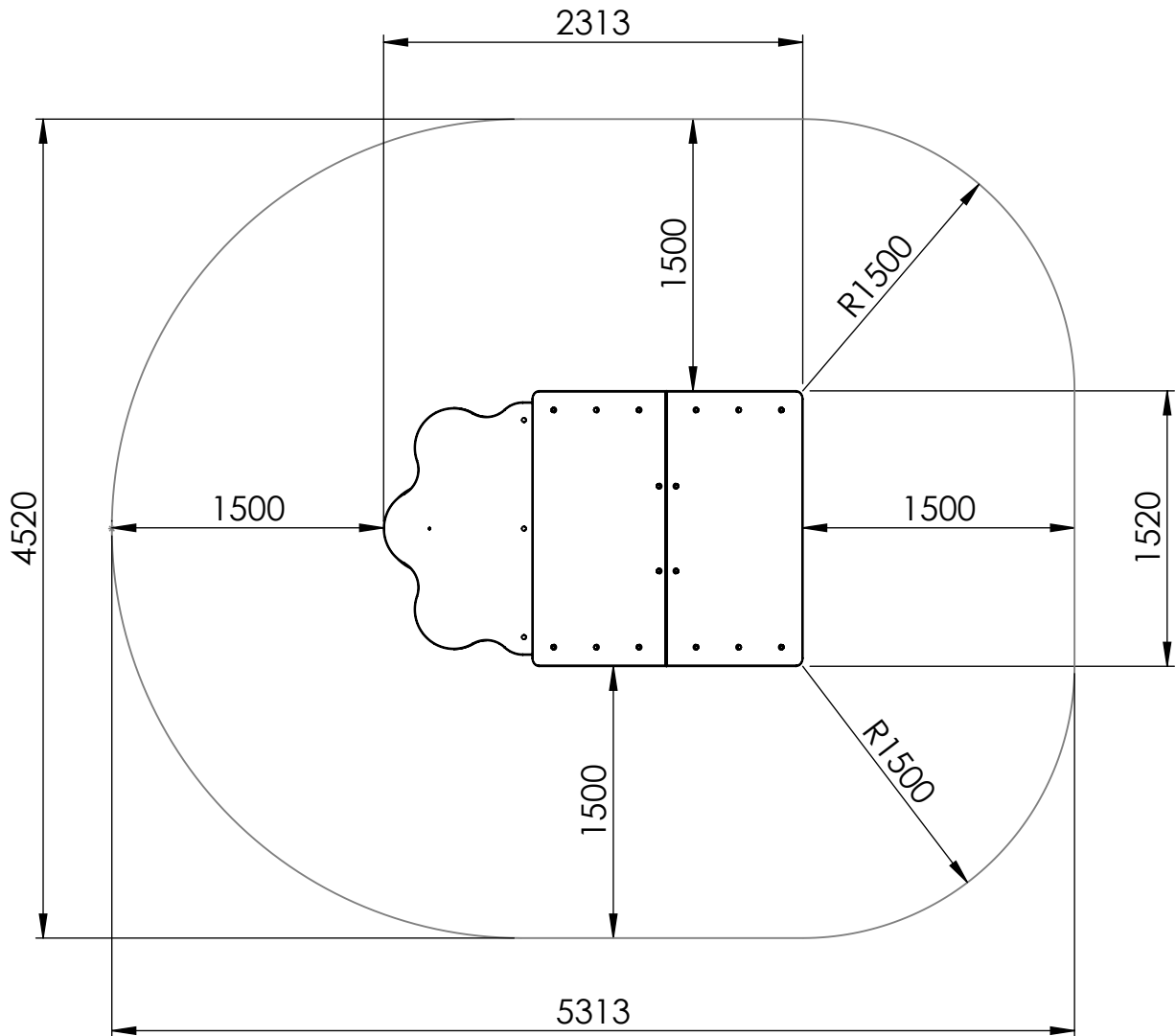
B

C

D

E

F



UNLESS OTHERWISE SPECIFIED:  
DIMENSIONS ARE IN MILLIMETERS  
WEIGHT ARE IN KILOGRAMM

PART NUMBER / DWG NO.:

MM301

|        | NAME     | SIGNATURE | DATE       | REVISION |
|--------|----------|-----------|------------|----------|
| DRAWN  | M.Rebase |           | 12.12.2014 |          |
| APPV'D |          |           |            |          |

DESCRIPTION:

Playhouse APPLE



**Tiptaptap** OÜ

Tiptaptap OÜ  
Veetorni 9,  
Jüri alevik, Rae vald,  
75301 Harjumaa

MATERIAL:

wood, metal, plastic

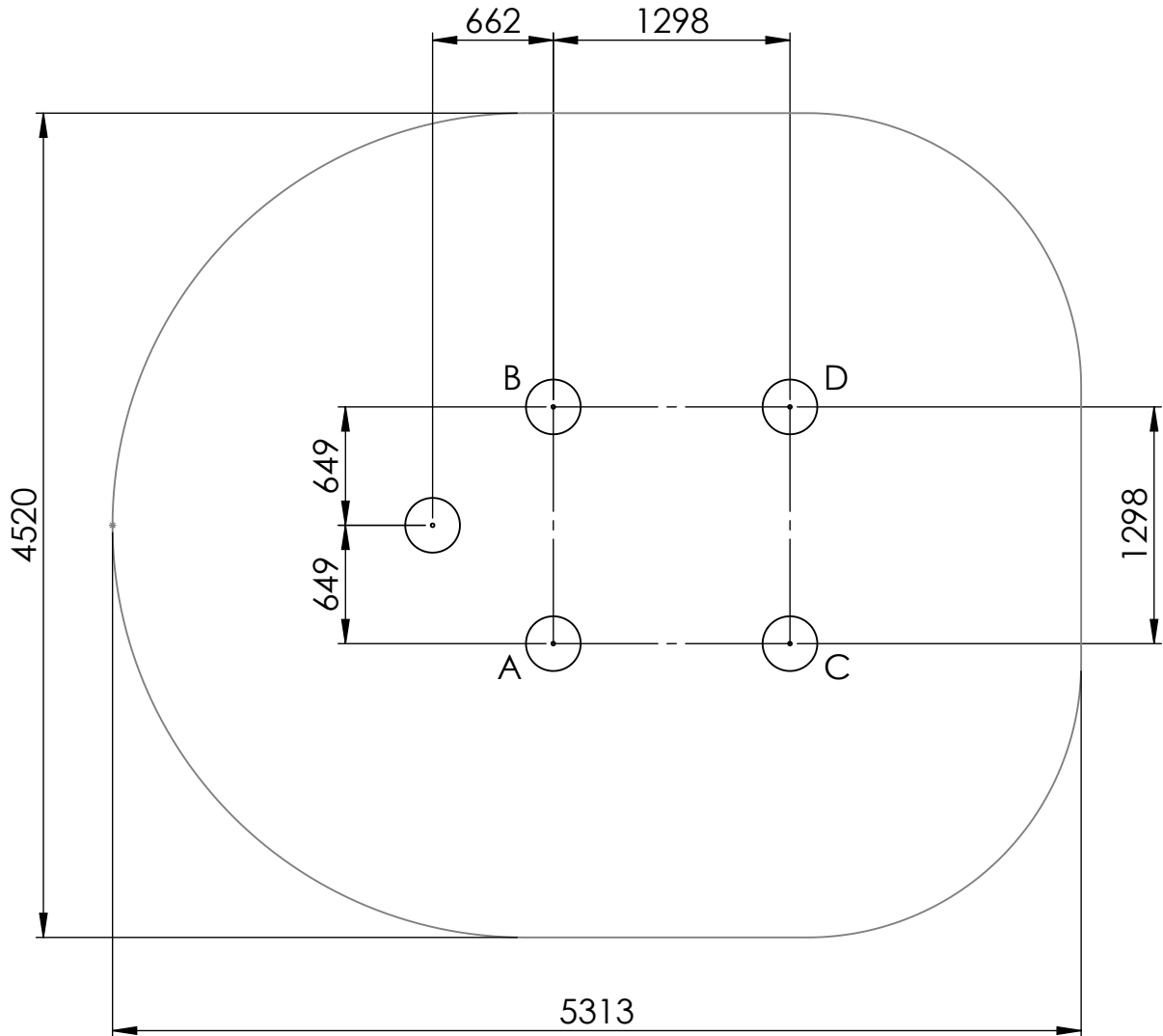
A4

WEIGHT:

SCALE: 1:40

SHEET 2 OF 13

# foundation



depth of foundation 500mm

UNLESS OTHERWISE SPECIFIED:  
DIMENSIONS ARE IN MILLIMETERS  
WEIGHT ARE IN KILOGRAMM

PART NUMBER / DWG NO.:

MM301

|        | NAME     | SIGNATURE | DATE       | REVISION |
|--------|----------|-----------|------------|----------|
| DRAWN  | M.Rebase |           | 12.12.2014 |          |
| APPV'D |          |           |            |          |

DESCRIPTION:

Playhouse APPLE



**Tiptaptap** OÜ

Tiptaptap OÜ  
Veetorni 9,  
Jüri alevik, Rae vald,  
75301 Harjumaa

MATERIAL:

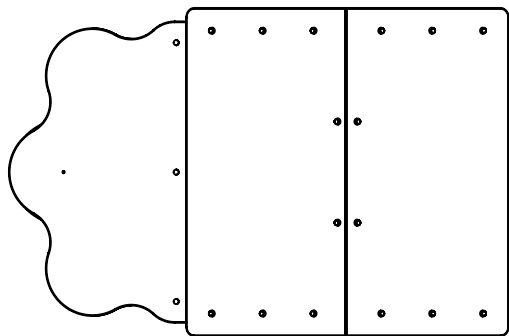
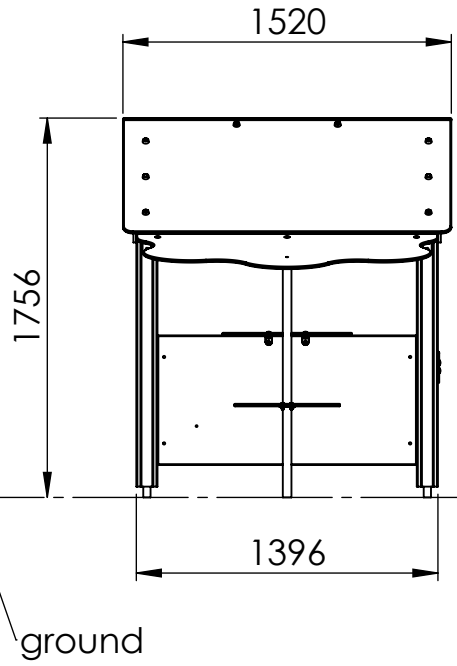
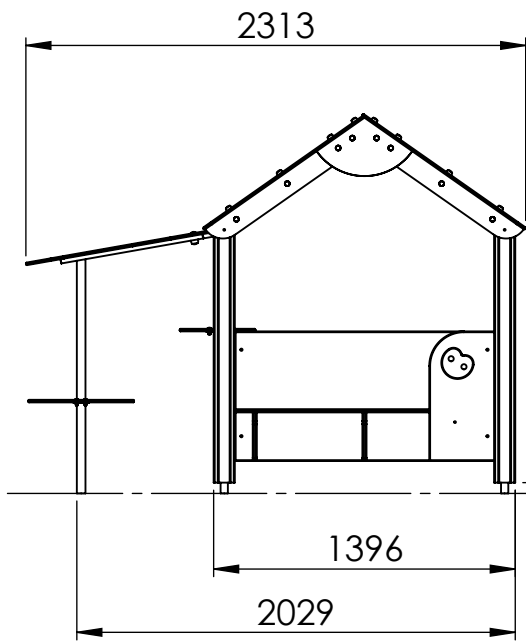
wood, metal, plastic

A4

WEIGHT:

SCALE: 1:40

SHEET 3 OF 13



|   |          |           |            |          |
|---|----------|-----------|------------|----------|
| UNLESS OTHERWISE SPECIFIED:<br>DIMENSIONS ARE IN MILLIMETERS<br>WEIGHT ARE IN KILOGRAMM |          |           |            |          |
|   | NAME     | SIGNATURE | DATE       | REVISION |
| DRAWN   | M.Rebase |           | 12.12.2014 |          |
| APPV'D  |          |           |            |          |

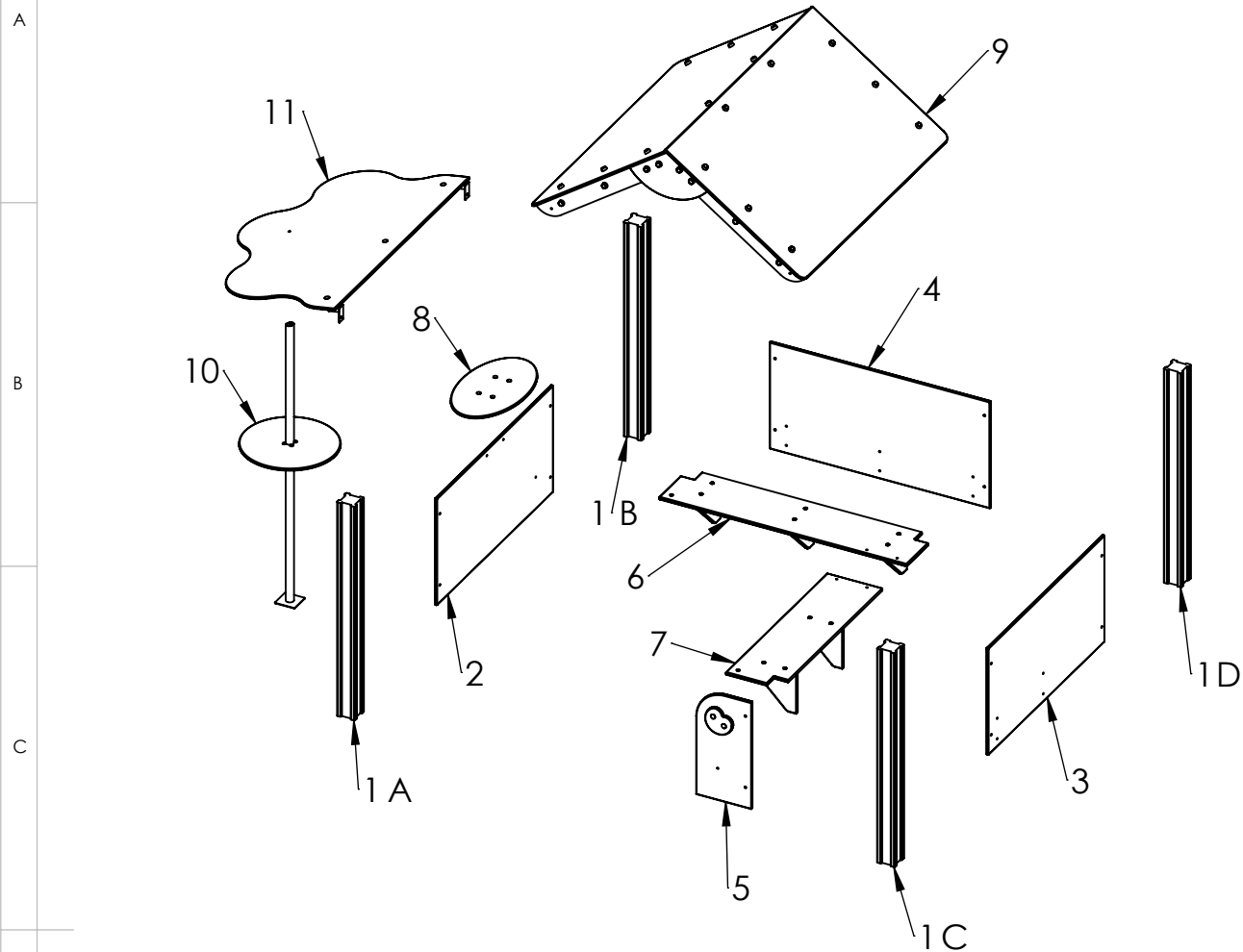
PART NUMBER / DWG NO.: **MM301**

DESCRIPTION: **Playhouse APPLE**



**Tiptaptap** OÜ  
Veetorni 9,  
Jüri alevik, Rae vald,  
75301 Harjumaa

|           |                      |               |
|-----------|----------------------|---------------|
| MATERIAL: | wood, metal, plastic | A4            |
| WEIGHT:   | SCALE: 1:35          | SHEET 4 OF 13 |



| ITEM NO. | PART NUMBER                      | DESCRIPTION         | QTY. |
|----------|----------------------------------|---------------------|------|
| D 1      | post 98x98x1200                  | laminated wood      | 4    |
| 2        | side panel 1                     | plywood             | 1    |
| 3        | side panel 2                     | plywood             | 1    |
| 4        | side panel 3                     | plywood             | 1    |
| 5        | panel 300x600                    | plywood             | 1    |
| 6        | seat 1                           | plywood             | 1    |
| 7        | seat 2                           | plywood             | 1    |
| E 8      | table                            | plywood, metal      | 1    |
| 9        | roof                             | plywood, PE plastic | 1    |
| 10       | beam with table                  | plywood, metal      | 1    |
| 11       | panel 880x1395 with fixing frame | plywood, metal      | 1    |

UNLESS OTHERWISE SPECIFIED:  
DIMENSIONS ARE IN MILLIMETERS  
WEIGHT ARE IN KILOGRAMM

PART NUMBER / DWG NO.:

MM301

|        | NAME     | SIGNATURE | DATE       | REVISION |
|--------|----------|-----------|------------|----------|
| DRAWN  | M.Rebase |           | 12.12.2014 |          |
| APPV'D |          |           |            |          |

DESCRIPTION:

Playhouse APPLE

MATERIAL:

wood, metal, plastic

A4

WEIGHT:

SCALE: 1:35

SHEET 5 OF 13



**Tiptaptap** OÜ

Tiptaptap OÜ  
Veetorni 9,  
Jüri alevik, Rae vald,  
75301 Harjumaa

A

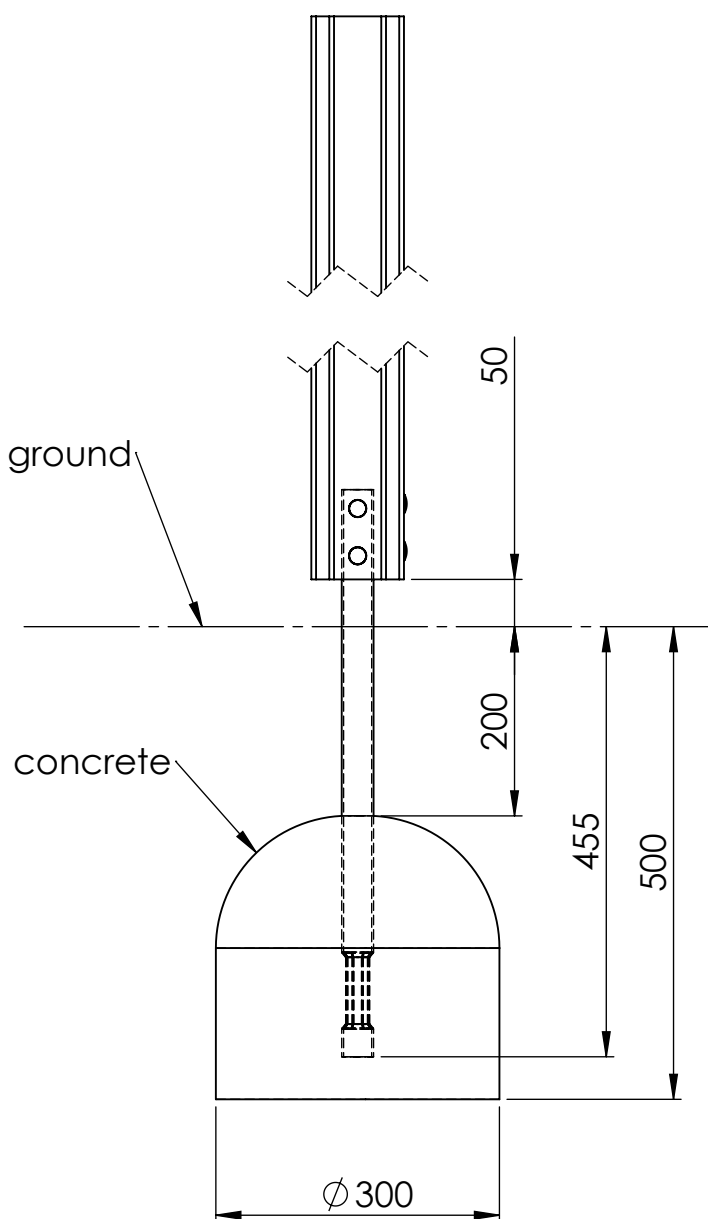
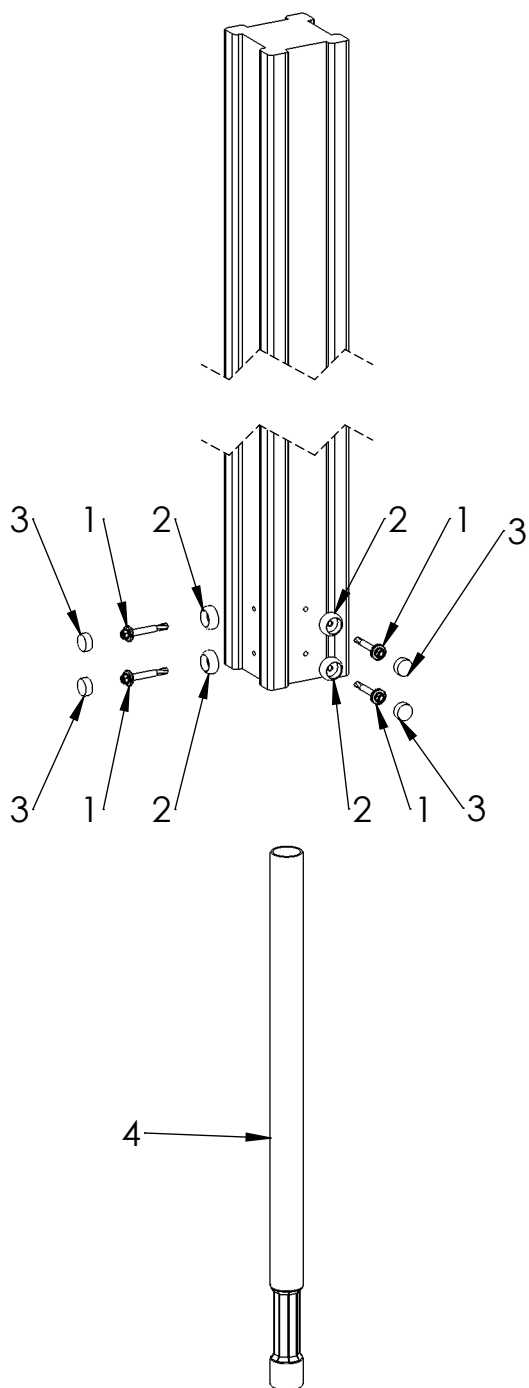
B

C

D

E

F



| ITEM NO. | PART NUMBER               |
|----------|---------------------------|
| 1        | screw DIN7504K 5,5x50     |
| 2        | nut cover M6              |
| 3        | nut cover cap M6          |
| 4        | metal ground fixing L_600 |

UNLESS OTHERWISE SPECIFIED:  
DIMENSIONS ARE IN MILLIMETERS  
WEIGHT ARE IN KILOGRAMM

PART NUMBER / DWG NO.:

MM301

|        | NAME     | SIGNATURE | DATE       | REVISION |
|--------|----------|-----------|------------|----------|
| DRAWN  | M.Rebase |           | 12.12.2014 |          |
| APPV'D |          |           |            |          |

DESCRIPTION:

Playhouse APPLE  
connecting metal ground fixing to post

MATERIAL:

wood, metal, plastic

A4

WEIGHT:

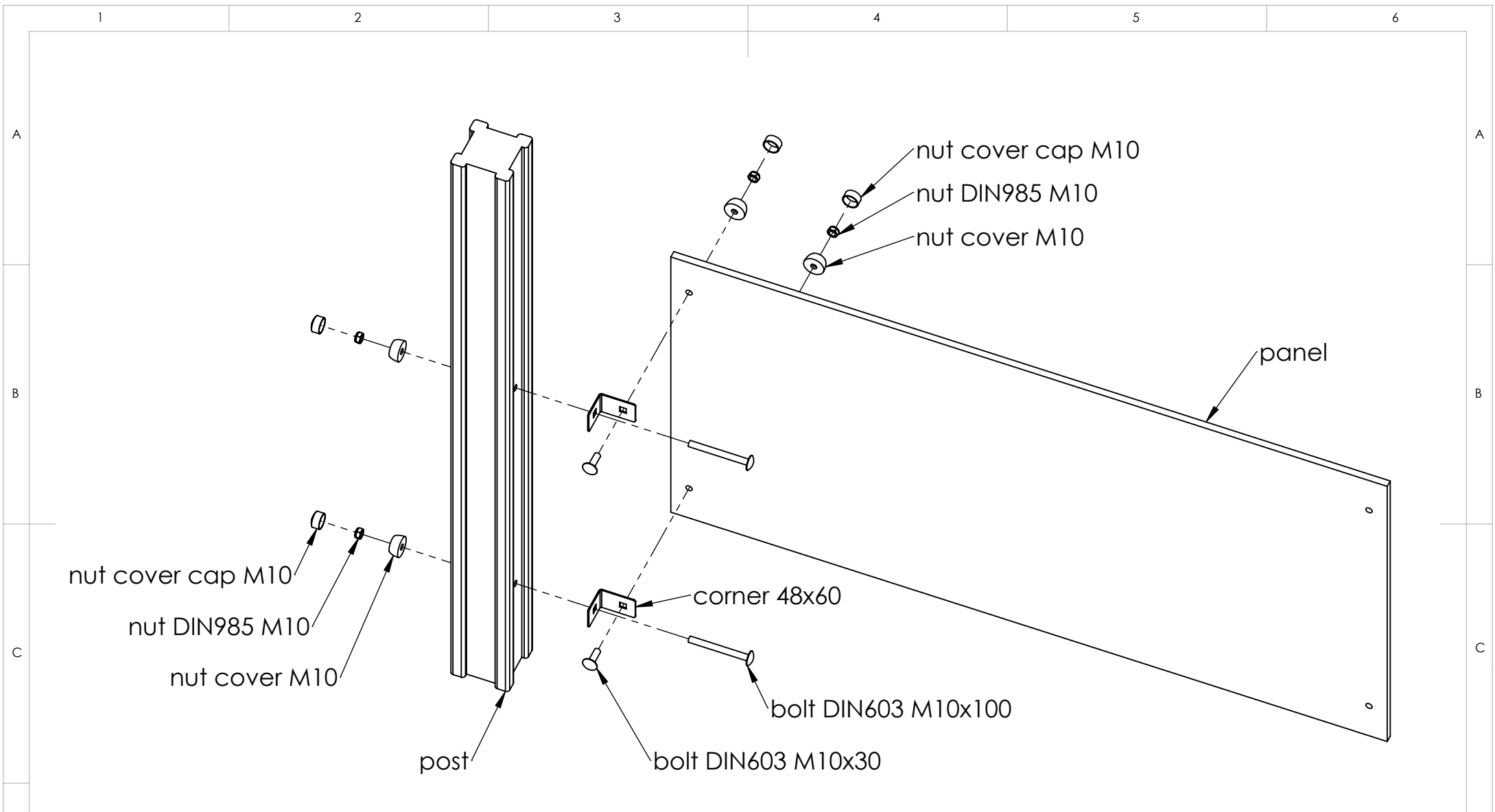
SCALE: 1:8


SHEET 6 OF 13



**Tiptaptap** OÜ

Tiptaptap OÜ  
Veetorni 9,  
Jüri alevik, Rae vald,  
75301 Harjumaa



|  |          |           |            |          |  |  |
|--|----------|-----------|------------|----------|--|--|
| UNLESS OTHERWISE SPECIFIED:<br>DIMENSIONS ARE IN MILLIMETERS<br>WEIGHT ARE IN KILOGRAMM  |          |           |            |          | PART NUMBER / DWG NO.:<br><b>MM301</b> |  |
|  | NAME     | SIGNATURE | DATE       | REVISION | DESCRIPTION:<br><b>Playhouse APPLE</b> |  |
| DRAWN  | M.Rebase |           | 12.12.2014 |          | MATERIAL:<br>wood, metal, plastic      |  |
| APPV'D   |          |           |            |          | A4                                     |  |
|  <b>Tiptaptap</b> OÜ<br>Tiptaptap OÜ<br>Veetorni 9,<br>Jüri alevik, Rae vald,<br>75301 Harjumaa |          |           |            |          | WEIGHT:                                |  |
|  |          |           |            |          | SCALE: 1:8                             |  |
|  |          |           |            |          | SHEET 7 OF 13                          |  |

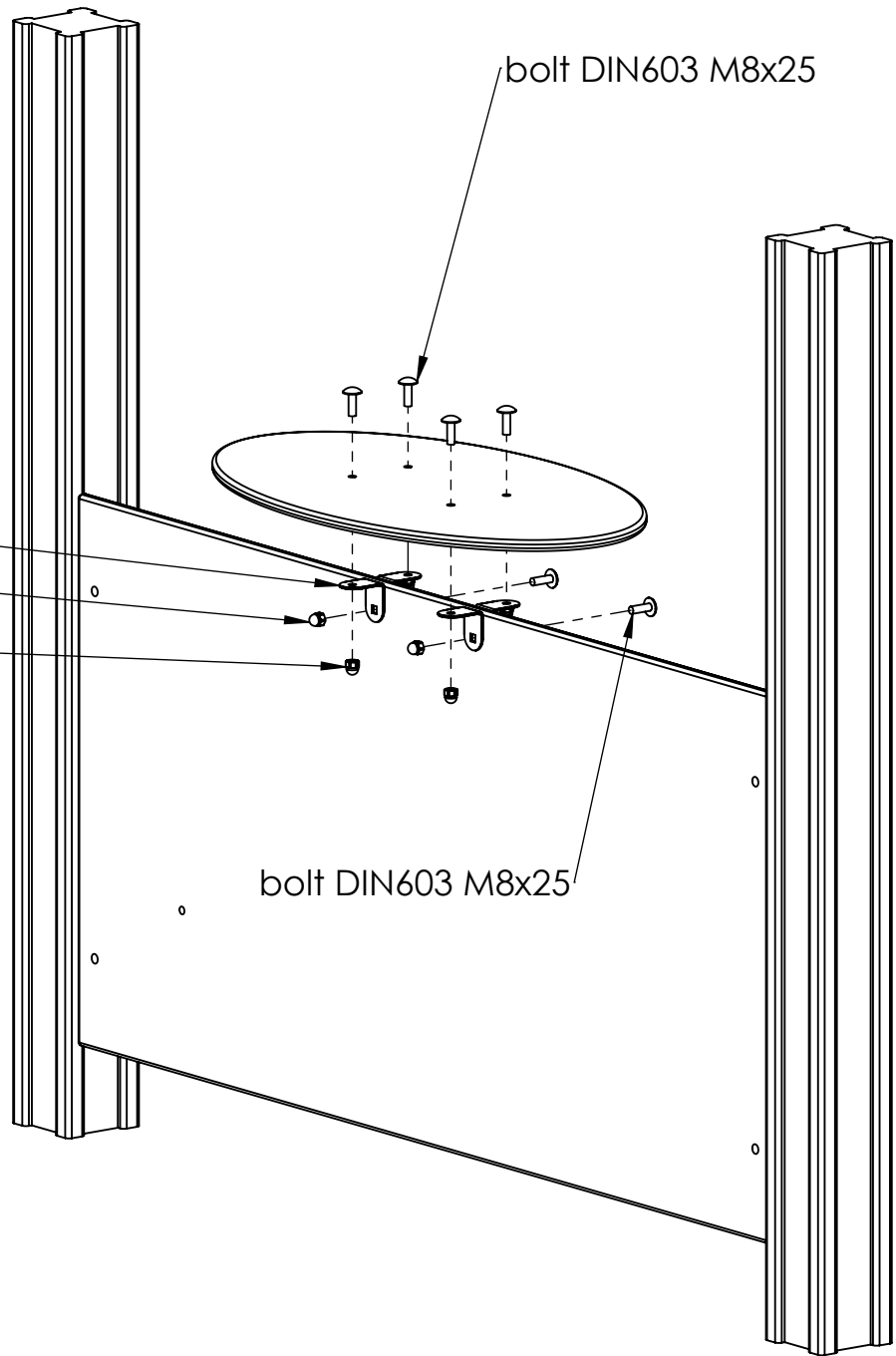
A

B

C

D

E



corner 45x45

nut M6 DIN1587

nut M6 DIN1587

bolt DIN603 M8x25

bolt DIN603 M8x25

UNLESS OTHERWISE SPECIFIED:  
 DIMENSIONS ARE IN MILLIMETERS  
 WEIGHT ARE IN KILOGRAMM

PART NUMBER / DWG NO.:  
**MM301**

|        | NAME     | SIGNATURE | DATE       | REVISION |
|--------|----------|-----------|------------|----------|
| DRAWN  | M.Rebase |           | 12.12.2014 |          |
| APPV'D |          |           |            |          |

DESCRIPTION:  
**Playhouse APPLE**

**Tiptaptap** OÜ  
 Veetorni 9,  
 Jüri alevik, Rae vald,  
 75301 Harjumaa

|           |                      |               |
|-----------|----------------------|---------------|
| MATERIAL: | wood, metal, plastic | A4            |
| WEIGHT:   | SCALE: 1:8           | SHEET 8 OF 13 |



1

2

3

4

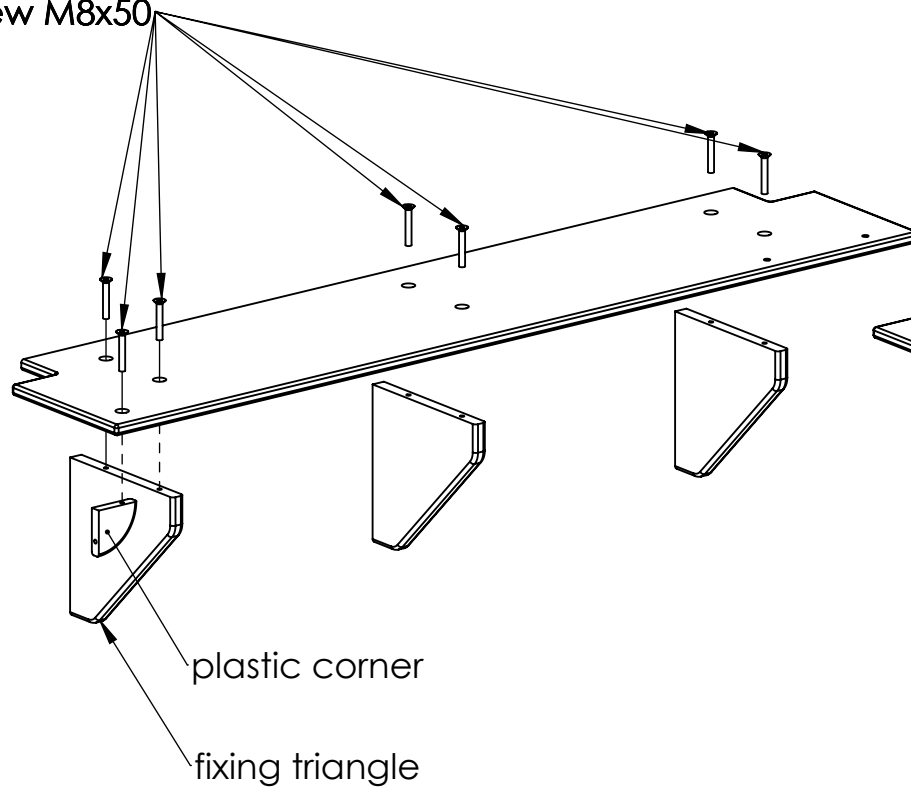
5

6

A

A

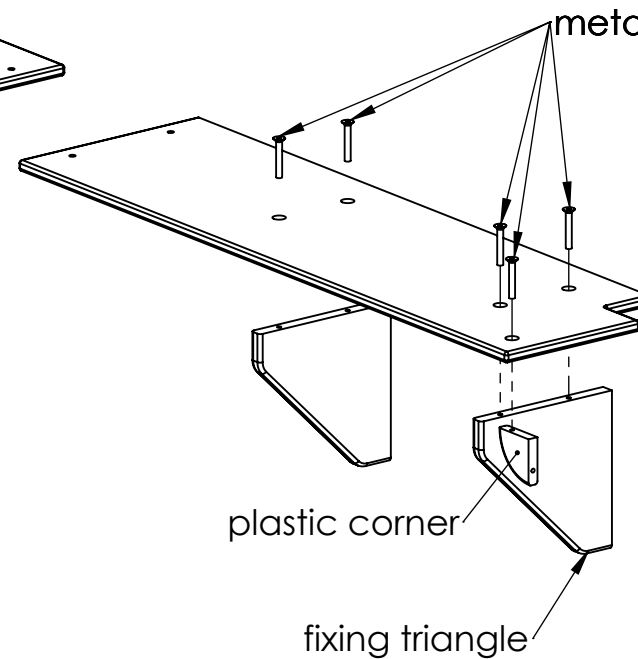
metal screw M8x50



plastic corner

fixing triangle

metal screw M8x50



plastic corner

fixing triangle

B

B

C

C

D

UNLESS OTHERWISE SPECIFIED:  
DIMENSIONS ARE IN MILLIMETERS  
WEIGHT ARE IN KILOGRAMM

PART NUMBER / DWG NO.:

MM301

|        | NAME     | SIGNATURE | DATE       | REVISION |
|--------|----------|-----------|------------|----------|
| DRAWN  | M.Rebase |           | 12.12.2014 |          |
| APPV'D |          |           |            |          |

DESCRIPTION:

Playhouse APPLE

MATERIAL:

wood, metal, plastic

A4

WEIGHT:

SCALE: 1:10

SHEET 9 OF 13

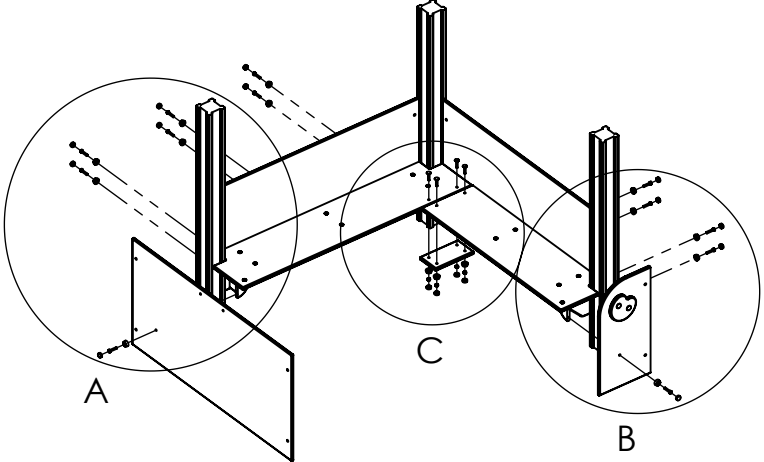


**Tiptaptap** OÜ

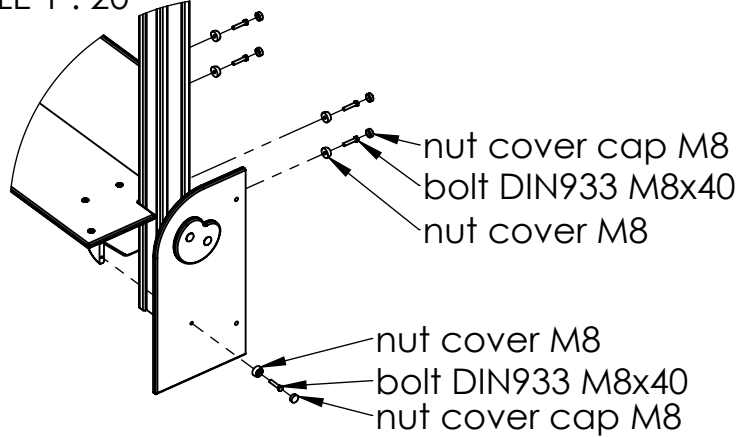
Tiptaptap OÜ  
Veetorni 9,  
Jüri alevik, Rae vald,  
75301 Harjumaa

1

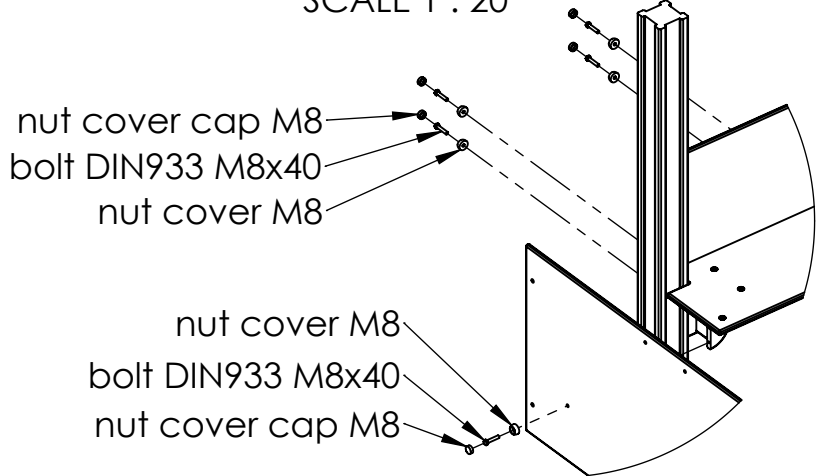
2



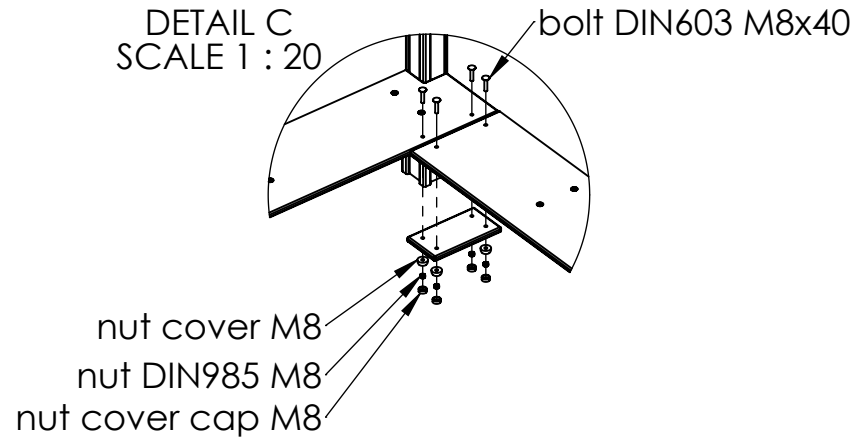
DETAIL B  
SCALE 1 : 20



DETAIL A  
SCALE 1 : 20



DETAIL C  
SCALE 1 : 20



UNLESS OTHERWISE SPECIFIED:  
DIMENSIONS ARE IN MILLIMETERS  
WEIGHT ARE IN KILOGRAMM

PART NUMBER / DWG NO.:  
**MM301**

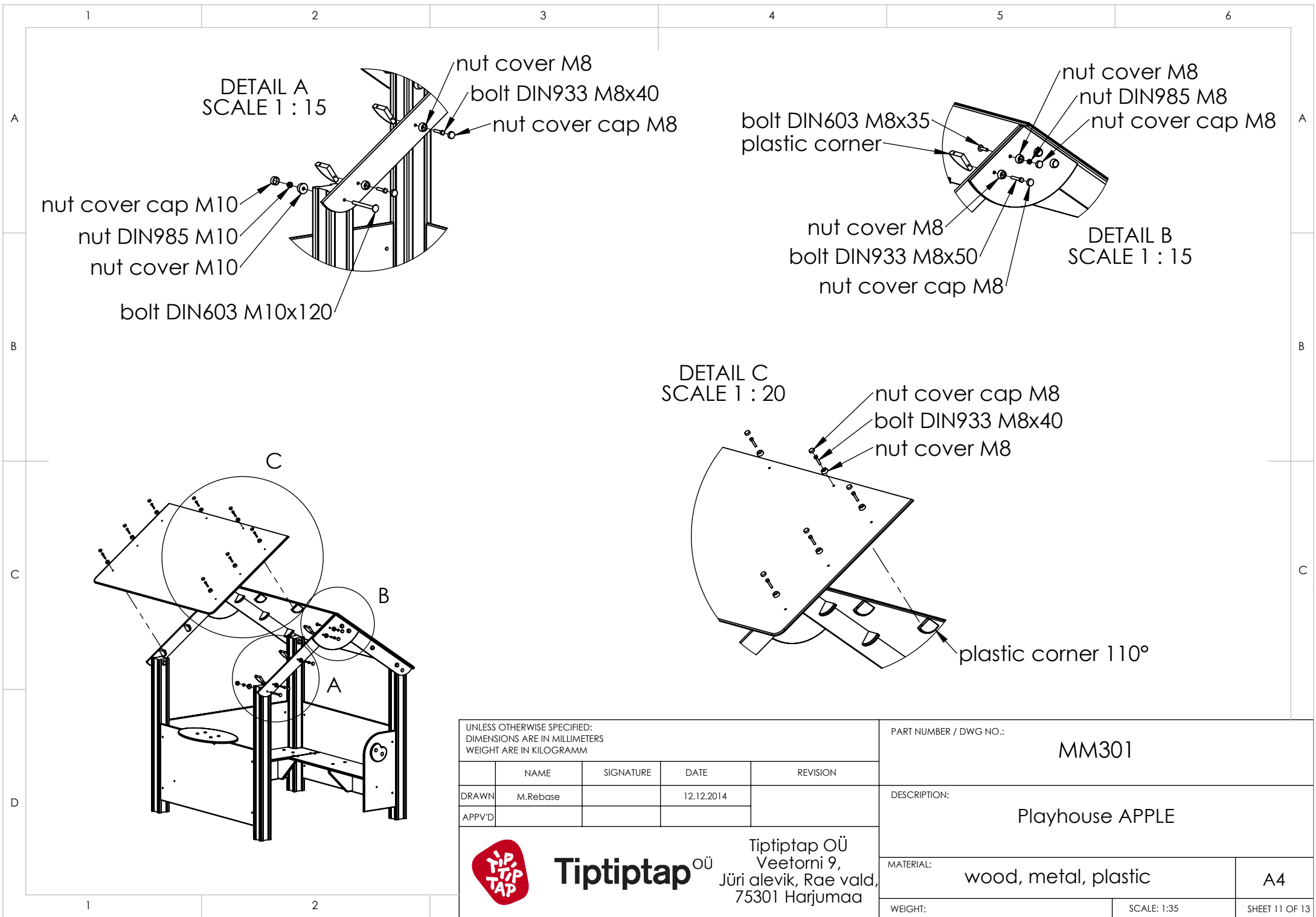
|        | NAME     | SIGNATURE | DATE       | REVISION |
|--------|----------|-----------|------------|----------|
| DRAWN  | M.Rebase |           | 12.12.2014 |          |
| APPV'D |          |           |            |          |

DESCRIPTION:  
**Playhouse APPLE**



**Tiptaptap** OÜ  
Tiptaptap OÜ  
Veetorni 9,  
Jüri alevik, Rae vald,  
75301 Harjumaa

|           |                      |                |
|-----------|----------------------|----------------|
| MATERIAL: | wood, metal, plastic | A4             |
| WEIGHT:   |                      | SCALE: 1:35    |
|           |                      | SHEET 10 OF 13 |



UNLESS OTHERWISE SPECIFIED:  
 DIMENSIONS ARE IN MILLIMETERS  
 WEIGHT ARE IN KILOGRAMM

PART NUMBER / DWG NO.:  
**MM301**

|        | NAME     | SIGNATURE | DATE       | REVISION |
|--------|----------|-----------|------------|----------|
| DRAWN  | M.Rebase |           | 12.12.2014 |          |
| APPV'D |          |           |            |          |

DESCRIPTION:  
**Playhouse APPLE**



**Tiptiptap** OÜ  
 Tiptiptap OÜ  
 Veetorni 9,  
 Jüri alevik, Rae vald,  
 75301 Harjumaa

|           |                      |                |
|-----------|----------------------|----------------|
| MATERIAL: | wood, metal, plastic | A4             |
| WEIGHT:   |                      | SCALE: 1:35    |
|           |                      | SHEET 11 OF 13 |

A  
B  
C  
D  
E  
F

nut cover cap M10  
bolt DIN933 M10x70  
nut cover M10

bolt DIN603 M10x50

nut cover M10  
nut DIN985 M10  
nut cover cap M10

A

DETAIL A  
SCALE 1 : 6

bolt DIN603 M6x25

washer M6

nut M6 DIN1587

UNLESS OTHERWISE SPECIFIED:  
DIMENSIONS ARE IN MILLIMETERS  
WEIGHT ARE IN KILOGRAMM

PART NUMBER / DWG NO.:  
**MM301**

|        | NAME     | SIGNATURE | DATE       | REVISION |
|--------|----------|-----------|------------|----------|
| DRAWN  | M.Rebase |           | 12.12.2014 |          |
| APPV'D |          |           |            |          |

DESCRIPTION:  
**Playhouse APPLE**



**Tiptaptap** OÜ

Tiptaptap OÜ  
Veetorni 9,  
Jüri alevik, Rae vald,  
75301 Harjumaa

MATERIAL:  
wood, metal, plastic

A4

WEIGHT: SCALE: 1:12 SHEET 12 OF 13

A

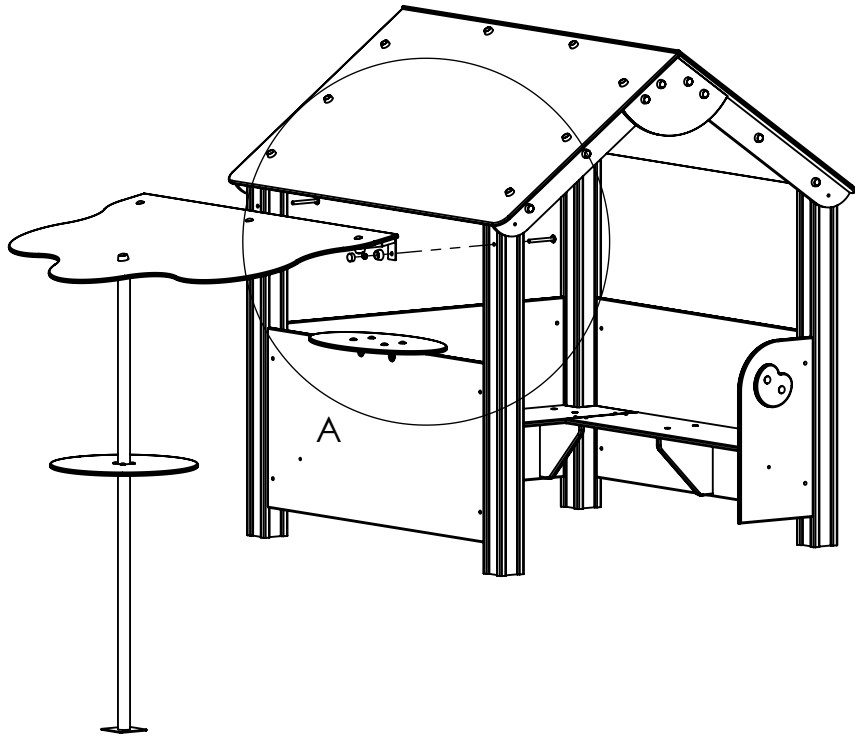
B

C

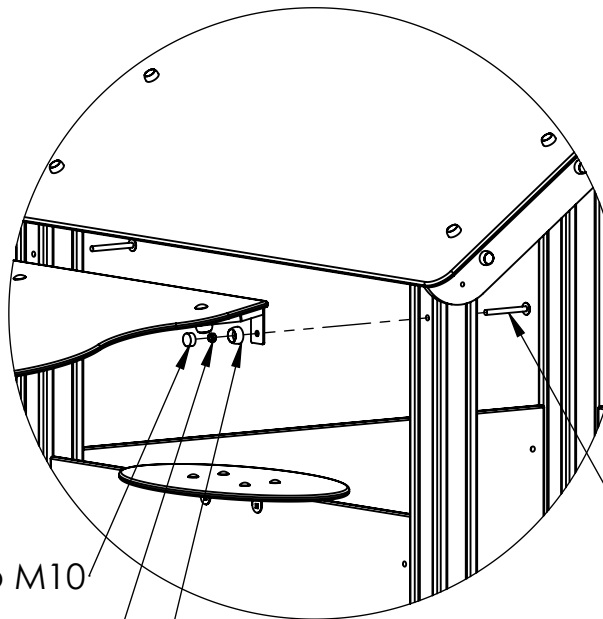
D

E

F



DETAIL A  
SCALE 1 : 15



nut cover cap M10

nut DIN985 M10

nut cover M10

bolt DIN603 M10x100

UNLESS OTHERWISE SPECIFIED:  
DIMENSIONS ARE IN MILLIMETERS  
WEIGHT ARE IN KILOGRAMM

PART NUMBER / DWG NO.:

MM301

|        | NAME     | SIGNATURE | DATE       | REVISION |
|--------|----------|-----------|------------|----------|
| DRAWN  | M.Rebase |           | 12.12.2014 |          |
| APPV'D |          |           |            |          |

DESCRIPTION:

Playhouse APPLE



**Tiptaptap** OÜ

Tiptaptap OÜ  
Veetorni 9,  
Jüri alevik, Rae vald,  
75301 Harjumaa

MATERIAL:

wood, metal, plastic

A4

WEIGHT:

SCALE: 1:25

SHEET 13 OF 13