

A

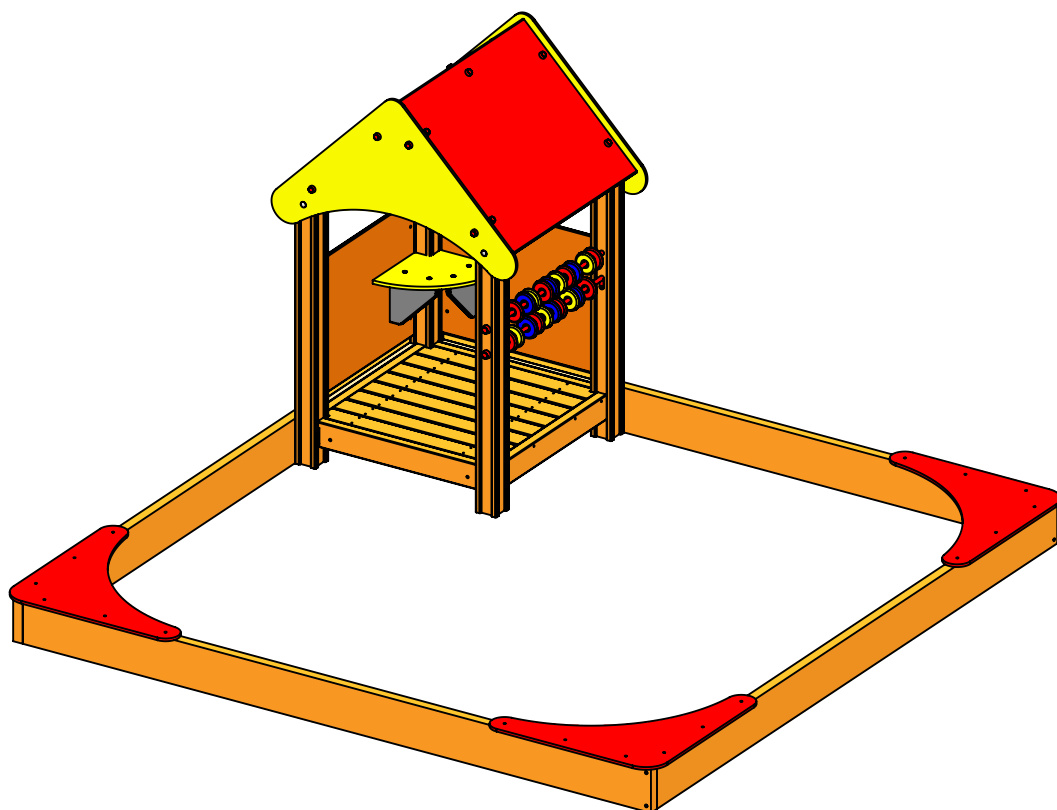
B

C

D

E

F



UNLESS OTHERWISE SPECIFIED:  
DIMENSIONS ARE IN MILLIMETERS  
WEIGHT ARE IN KILOGRAMM

PART NUMBER / DWG NO.:

LMK001

	NAME	SIGNATURE	DATE	REVISION
DRAWN	M.Rebase		03.03.2015	
APPV'D				

DESCRIPTION:

Sandbox 3x3 m with little house



**Tiptaptap** OÜ

Tiptaptap OÜ  
Veetorni 9,  
Jüri alevik, Rae vald,  
75301 Harjumaa

MATERIAL:

wood, metal, plastic

A4

WEIGHT:

SCALE: 1:30

SHEET 1 OF 14

# safety area

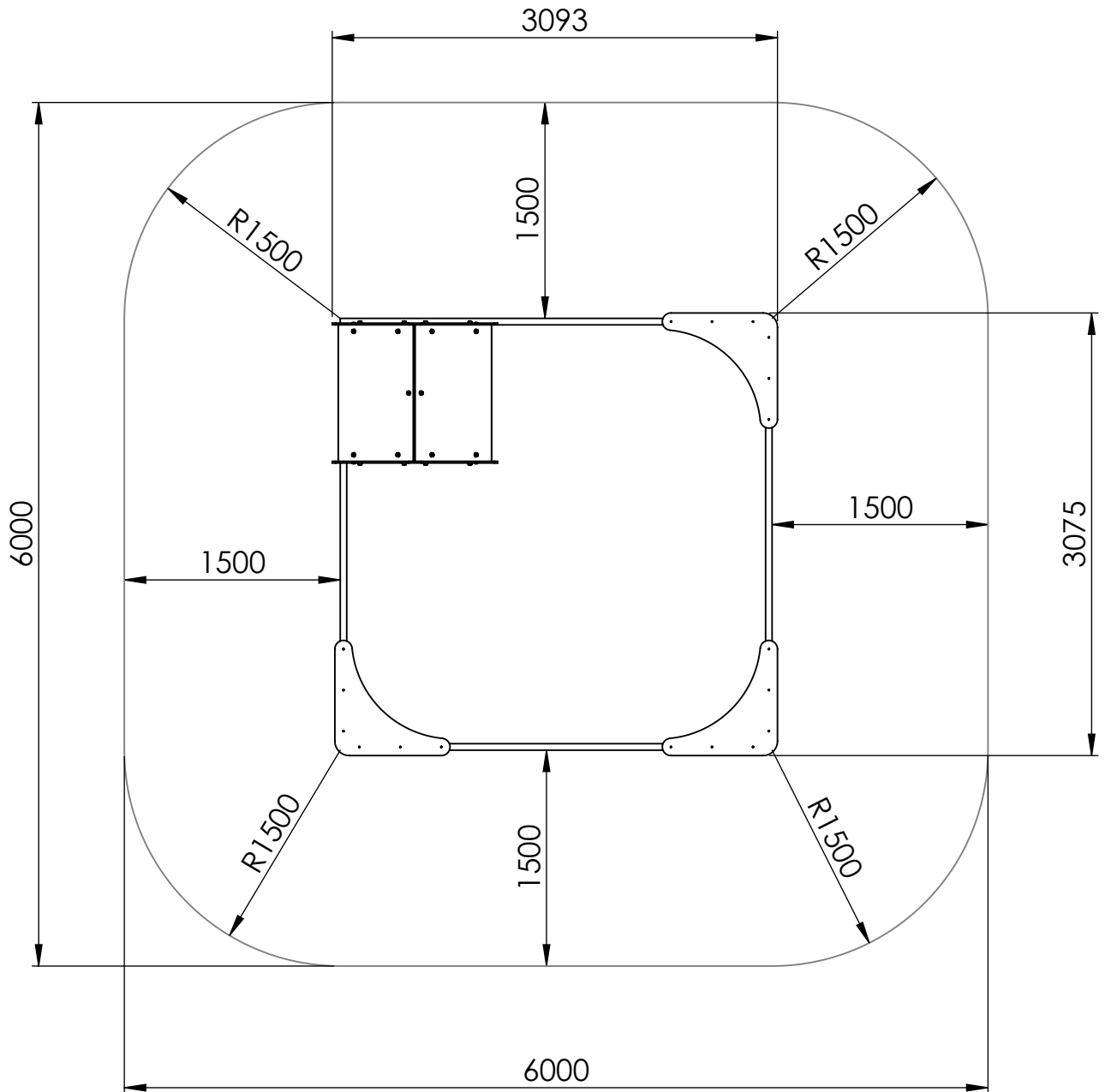
A

B

C

D

E



UNLESS OTHERWISE SPECIFIED:  
DIMENSIONS ARE IN MILLIMETERS  
WEIGHT ARE IN KILOGRAMM

PART NUMBER / DWG NO.:

LMK001

	NAME	SIGNATURE	DATE	REVISION
DRAWN	M.Rebase		03.03.2015	
APPV'D				

DESCRIPTION:

Sandbox 3x3 m with little house



**Tiptaptap** OÜ

Tiptaptap OÜ  
Veetorni 9,  
Jüri alevik, Rae vald,  
75301 Harjumaa

MATERIAL:

wood, metal, plastic

A4

WEIGHT:

SCALE: 1:45

SHEET 2 OF 14

# foundation

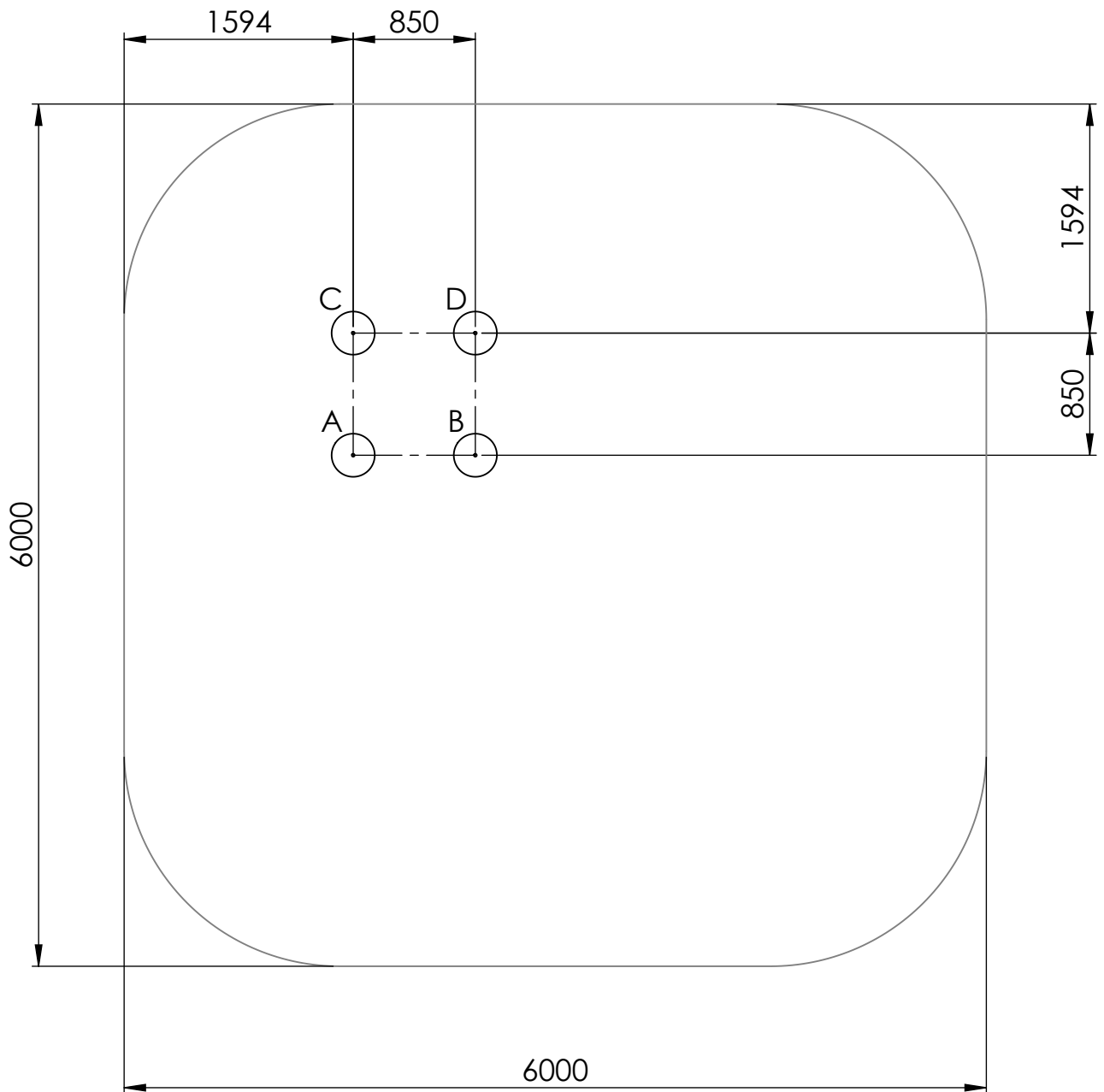
A

B

C

D

E



UNLESS OTHERWISE SPECIFIED:  
DIMENSIONS ARE IN MILLIMETERS  
WEIGHT ARE IN KILOGRAMM

PART NUMBER / DWG NO.:

LMK001

	NAME	SIGNATURE	DATE	REVISION
DRAWN	M.Rebase		03.03.2015	
APPV'D				

DESCRIPTION:

Sandbox 3x3 m with little house

F



**Tiptaptap** OÜ

Tiptaptap OÜ  
Veetorni 9,  
Jüri alevik, Rae vald,  
75301 Harjumaa

MATERIAL:

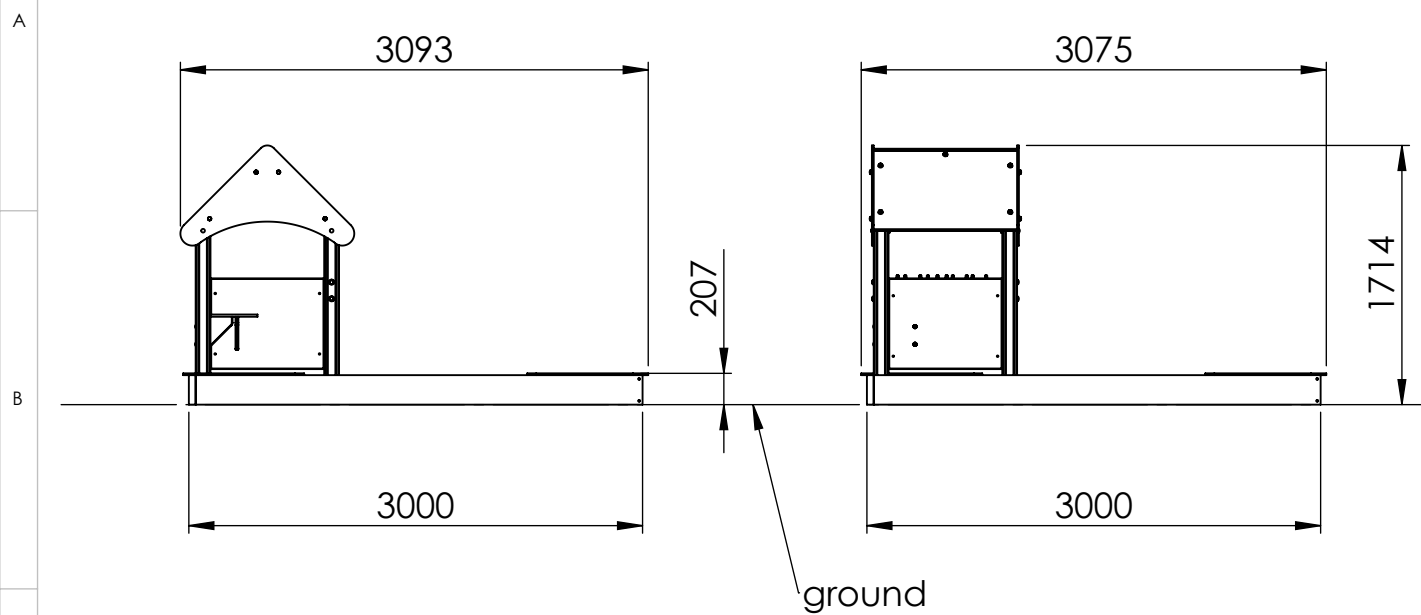
wood, metal, plastic

A4

WEIGHT:

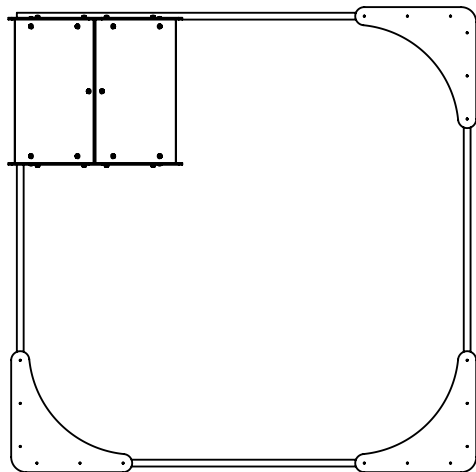
SCALE: 1:45

SHEET 3 OF 14



C

D



E

F

UNLESS OTHERWISE SPECIFIED:  
DIMENSIONS ARE IN MILLIMETERS  
WEIGHT ARE IN KILOGRAMM

PART NUMBER / DWG NO.:

LMK001

	NAME	SIGNATURE	DATE	REVISION
DRAWN	M.Rebase		03.03.2015	
APPV'D				

DESCRIPTION:

Sandbox 3x3 m with little house



**Tiptaptap** OÜ

Tiptaptap OÜ  
Veetorni 9,  
Jüri alevik, Rae vald,  
75301 Harjumaa

MATERIAL:

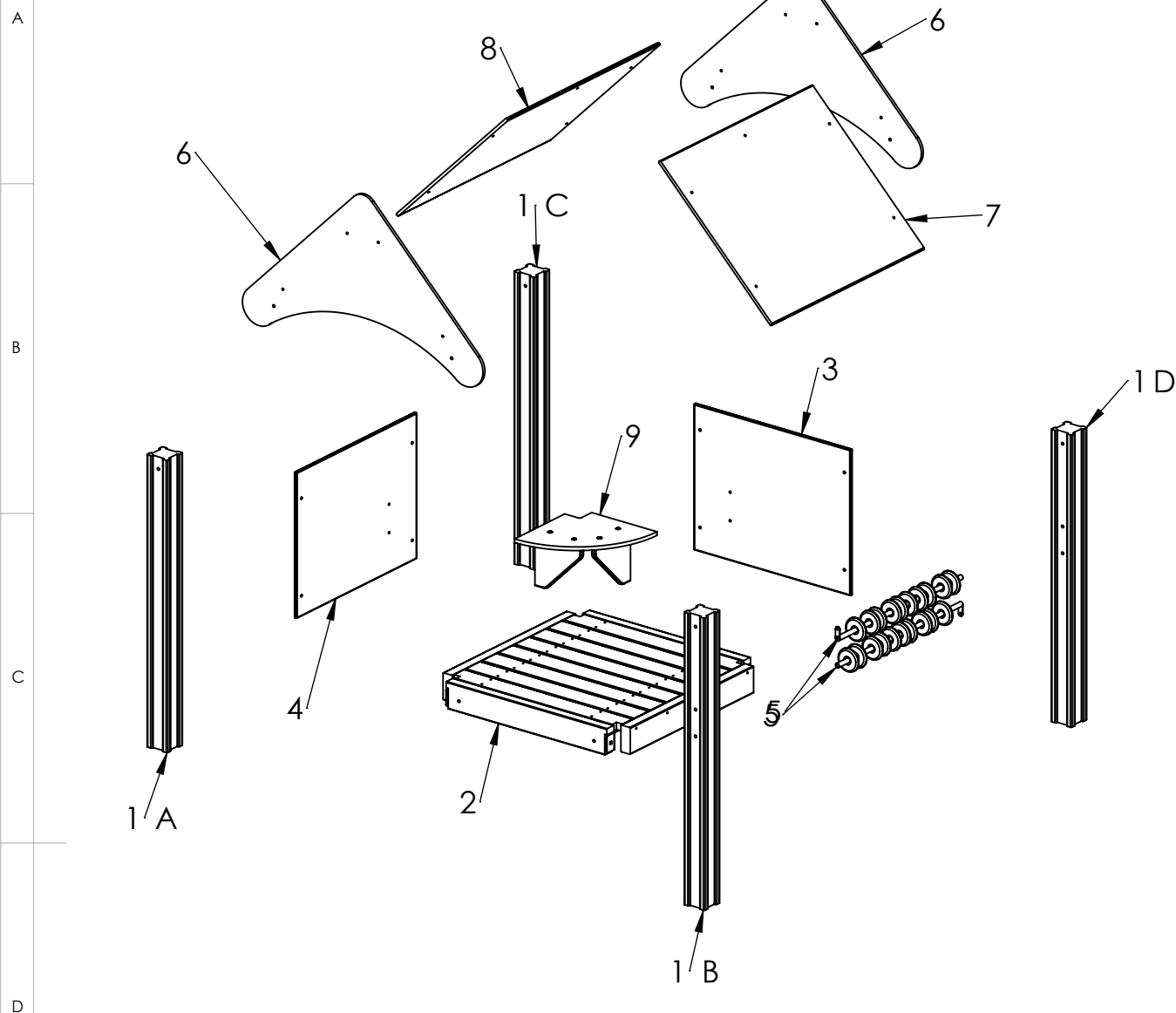
wood, metal, plastic

A4

WEIGHT:

SCALE: 1:50

SHEET 4 OF 14



ITEM NO.	PART NUMBER	DESCRIPTION	QTY.
1	post 98x98x1200	laminated wood	4
2	platform	laminated wood, metal	1
3	panel 750x600	plywood	1
4	panel 750x600	plywood	1
5	counting rings	painted steel, PE plastic	2
6	roof triangle panel	plywood	2
7	roof panel 950x760	plywood	1
8	roof panel 950x745	plywood	1
9	table with fixings	plywood, PE plastic	1

UNLESS OTHERWISE SPECIFIED:  
DIMENSIONS ARE IN MILLIMETERS  
WEIGHT ARE IN KILOGRAMM

PART NUMBER / DWG NO.:

LMK001

	NAME	SIGNATURE	DATE	REVISION
DRAWN	M.Rebase		03.03.2015	
APPV'D				

DESCRIPTION:

Sandbox 3x3 m with little house

MATERIAL:

wood, metal, plastic

A4

WEIGHT:

SCALE: 1:25

SHEET 5 OF 14



**Tiptiptap** OÜ

Tiptiptap OÜ  
Veetorni 9,  
Jüri alevik, Rae vald,  
75301 Harjumaa

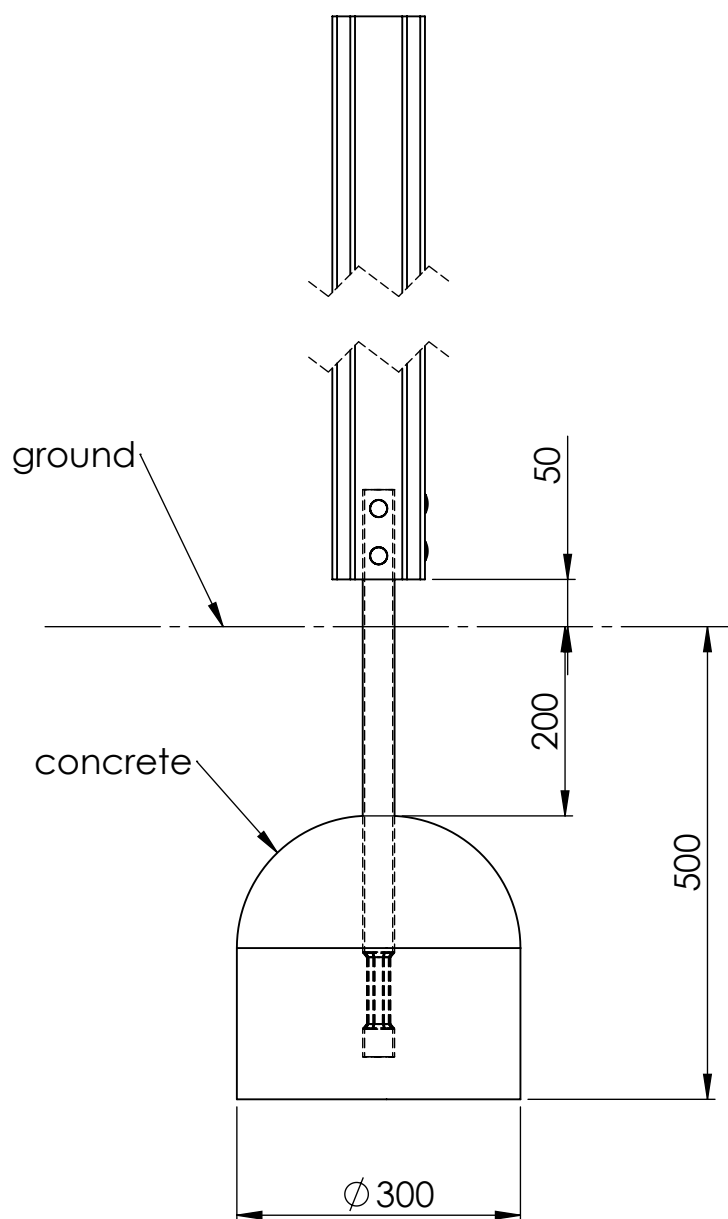
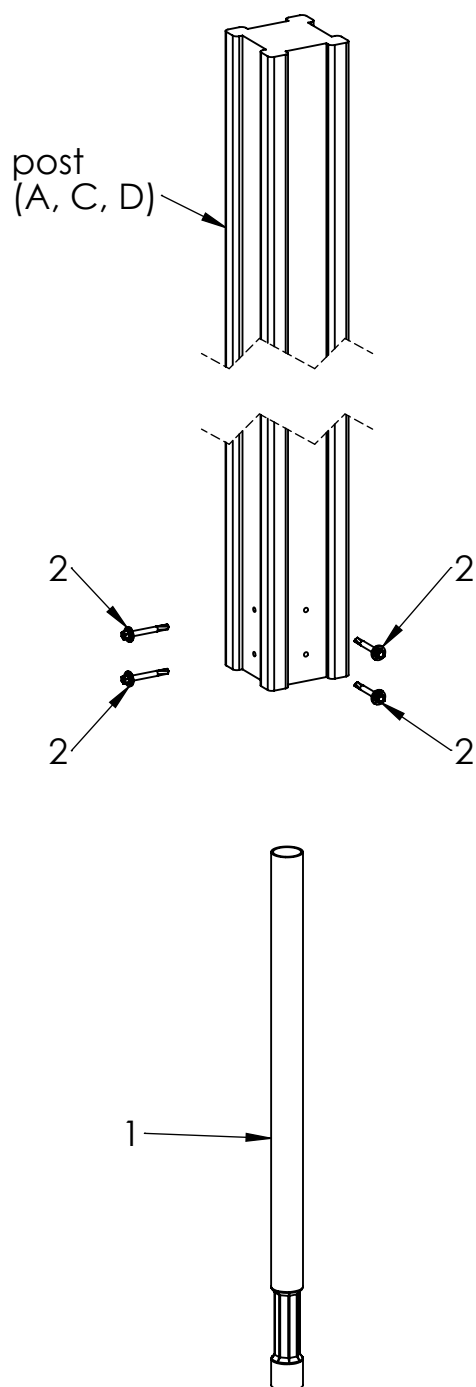
A

B

C

D

E



ITEM NO.	PART NUMBER
1	metal ground fixing L_600
2	screw DIN7504K 5,5x50

UNLESS OTHERWISE SPECIFIED:  
DIMENSIONS ARE IN MILLIMETERS  
WEIGHT ARE IN KILOGRAMM

PART NUMBER / DWG NO.:

LMK001

	NAME	SIGNATURE	DATE	REVISION
DRAWN	M.Rebase		03.03.2015	
APPV'D				

DESCRIPTION:

Sandbox 3x3 m with little house  
connecting metal ground fixing to post

MATERIAL:

wood, metal, plastic

A4

WEIGHT:

SCALE: 1:8

SHEET 6 OF 14



**Tiptaptap** OÜ

Tiptaptap OÜ  
Veetorni 9,  
Jüri alevik, Rae vald,  
75301 Harjumaa

A

B

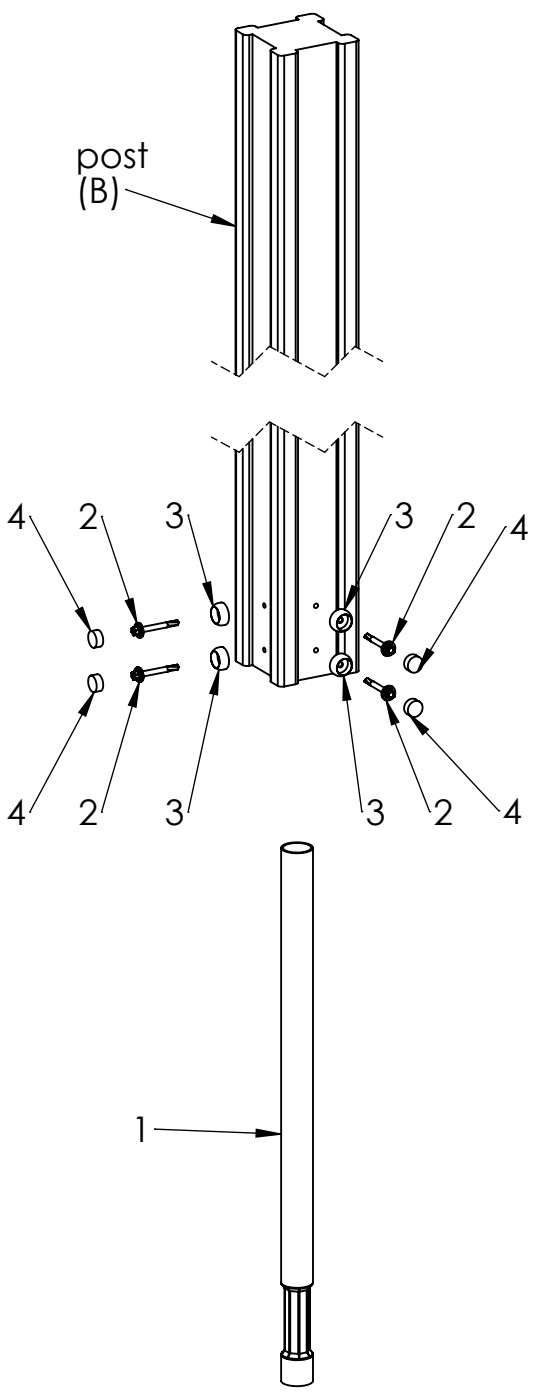
C

D

E

F

post  
(B)



ground

concrete

50

200

500

Ø 300

ITEM NO.	PART NUMBER
1	screw DIN7504K 5,5x50
2	nut cover M6
3	nut cover cap M6
4	metal ground fixing L_600

UNLESS OTHERWISE SPECIFIED:  
DIMENSIONS ARE IN MILLIMETERS  
WEIGHT ARE IN KILOGRAMM

PART NUMBER / DWG NO.:  
**LMK001**

	NAME	SIGNATURE	DATE	REVISION
DRAWN	M.Rebase		03.03.2015	
APPV'D				

DESCRIPTION:  
**Sandbox 3x3 m with little house  
connecting metal ground fixing to post**



**Tiptaptap** OÜ

Tiptaptap OÜ  
Veetorni 9,  
Jüri alevik, Rae vald,  
75301 Harjumaa

MATERIAL: wood, metal, plastic

A4

WEIGHT: SCALE: 1:8 SHEET 7 OF 14

A

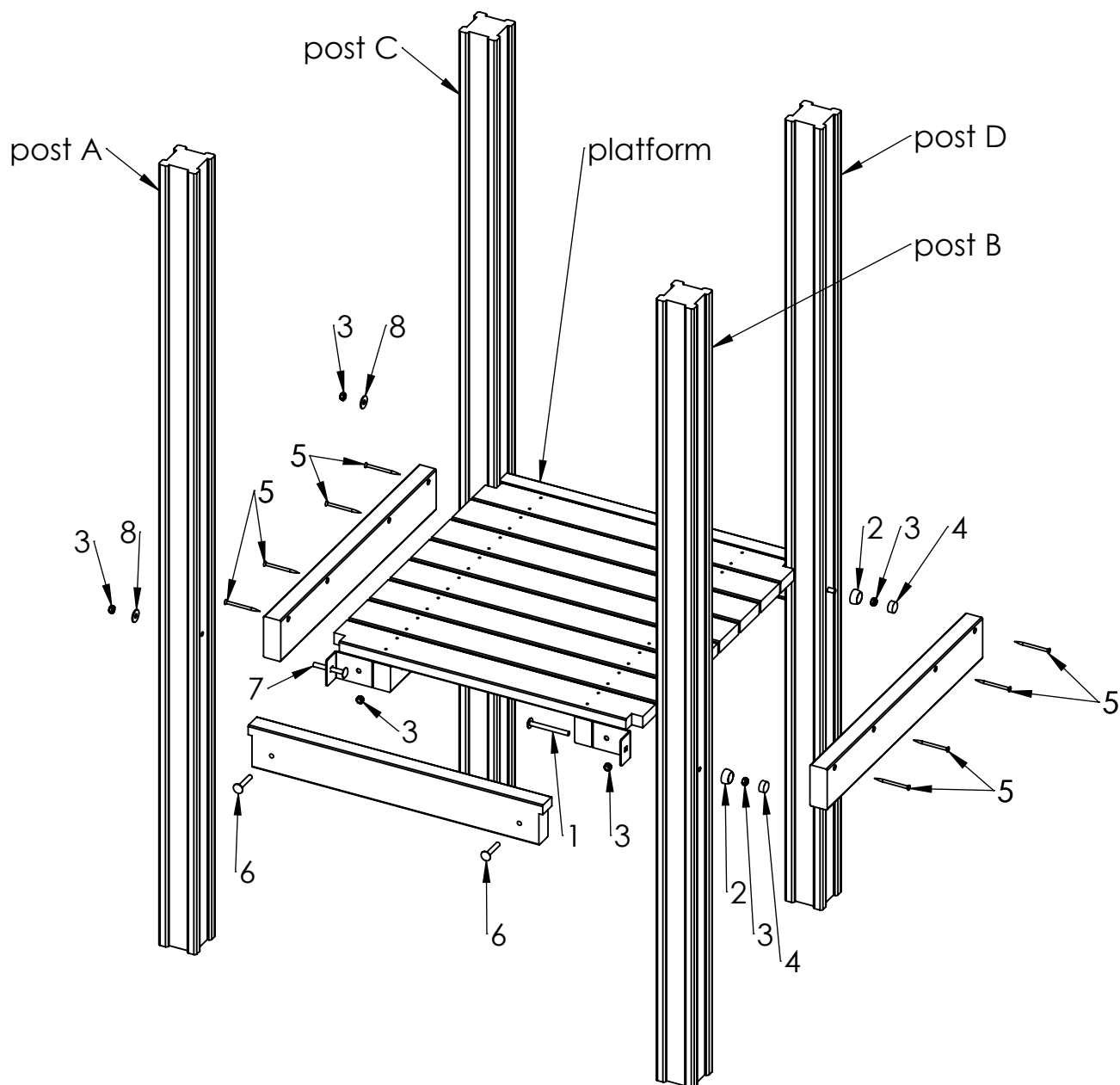
B

C

D

E

F



ITEM NO.	PART NUMBER
1	bolt DIN603 M10x100
2	nut cover M10
3	nut DIN985 M10
4	nut cover cap M10
5	woodscrew 6 x 90
6	bolt DIN603 M10x60
7	bolt DIN603 M10x80
8	washer M10

UNLESS OTHERWISE SPECIFIED:  
DIMENSIONS ARE IN MILLIMETERS  
WEIGHT ARE IN KILOGRAMM

PART NUMBER / DWG NO.:

LMK001

	NAME	SIGNATURE	DATE	REVISION
DRAWN	M.Rebase		03.03.2015	
APPV'D				

DESCRIPTION:

Sandbox 3x3 m with little house  
connecting platform to post

MATERIAL:

wood, metal, plastic

A4

WEIGHT:

SCALE: 1:15

SHEET 8 OF 14



**Tiptap** OÜ

Tiptap OÜ  
Veetorni 9,  
Jüri alevik, Rae vald,  
75301 Harjumaa



A

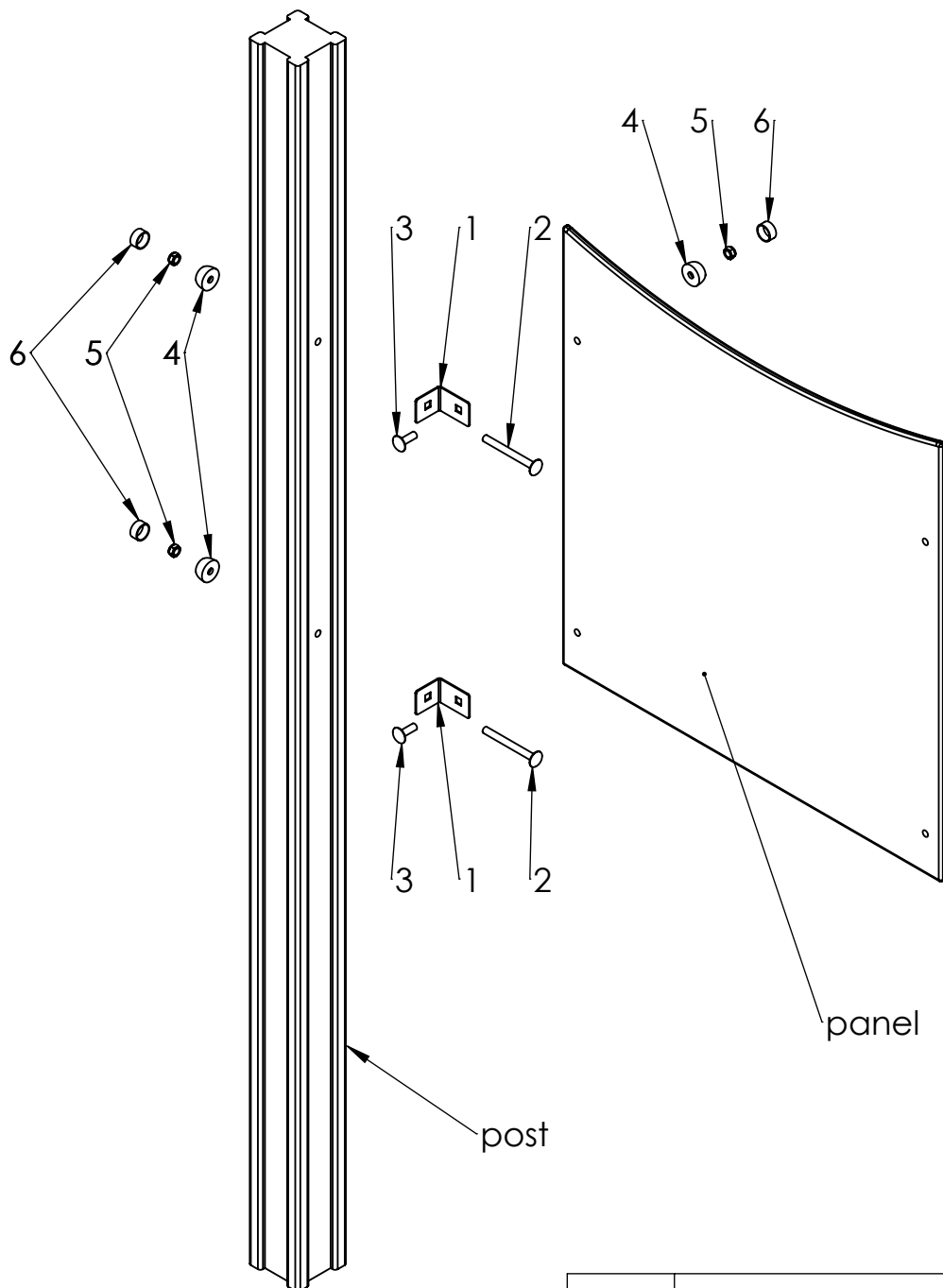
B

C

D

E

F



ITEM NO.	PART NUMBER
1	corner 48x60
2	bolt DIN603 M10x100
3	bolt DIN603 M10x30
4	nut cover M10
5	nut DIN985 M10
6	nut cover cap M10

UNLESS OTHERWISE SPECIFIED:  
DIMENSIONS ARE IN MILLIMETERS  
WEIGHT ARE IN KILOGRAMM

PART NUMBER / DWG NO.:

LMK001

	NAME	SIGNATURE	DATE	REVISION
DRAWN	M.Rebase		03.03.2015	
APPV'D				

DESCRIPTION:

Sandbox 3x3 m with little house  
connecting panel to post

MATERIAL:

wood, metal, plastic

A4

WEIGHT:

SCALE: 1:10

SHEET 9 OF 14



**Tiptap** OÜ

Tiptap OÜ  
Veetorni 9,  
Jüri alevik, Rae vald,  
75301 Harjumaa

A

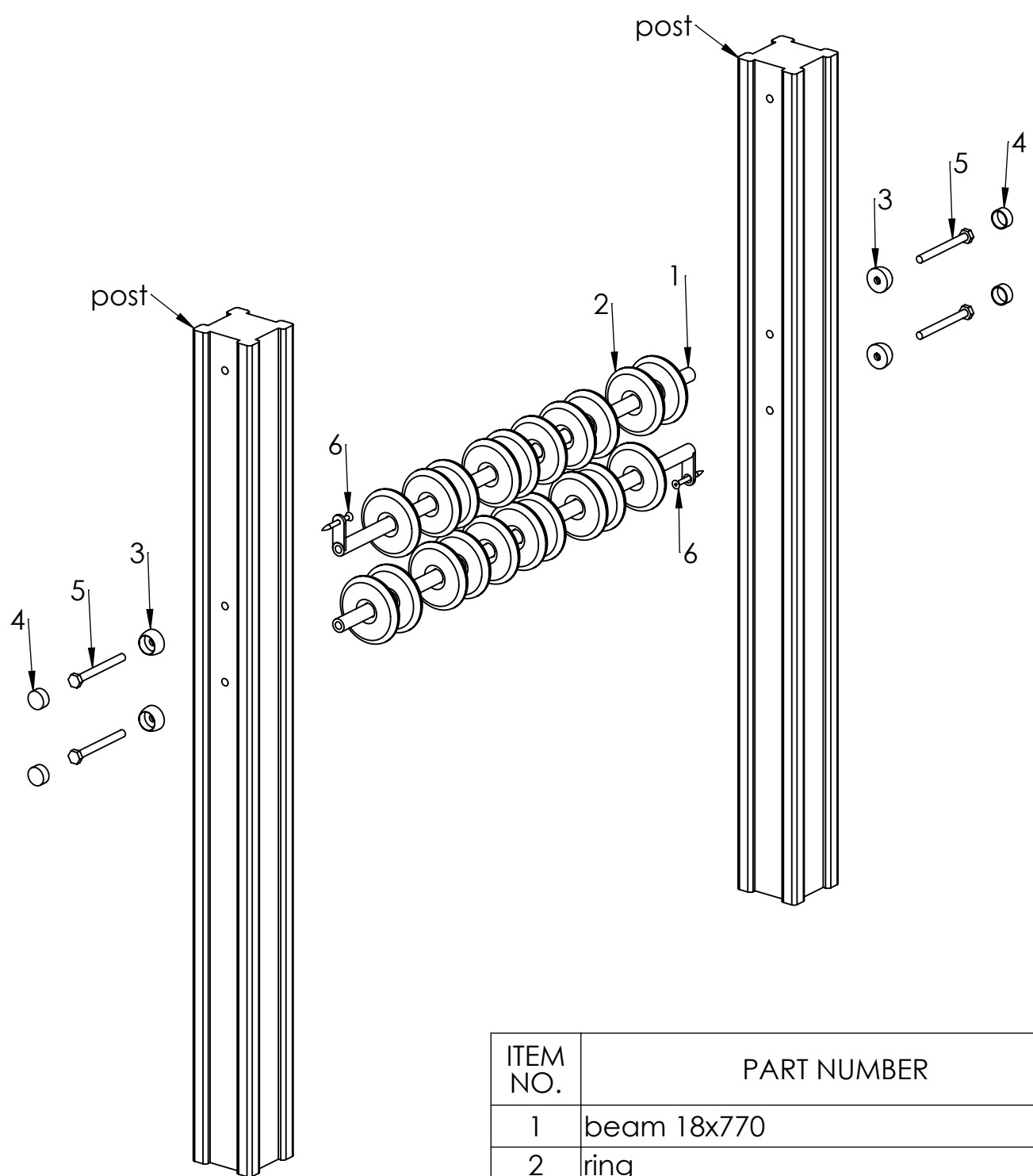
B

C

D

E

F



ITEM NO.	PART NUMBER
1	beam 18x770
2	ring
3	nut cover M10
4	nut cover cap M10
5	bolt DIN931 M10x100
6	woodscrew 6 x 60

UNLESS OTHERWISE SPECIFIED:  
DIMENSIONS ARE IN MILLIMETERS  
WEIGHT ARE IN KILOGRAMM

PART NUMBER / DWG NO.:	LMK001
------------------------	--------

	NAME	SIGNATURE	DATE	REVISION
DRAWN	M.Rebase		03.03.2015	
APPV'D				

DESCRIPTION:  
Sandbox 3x3 m with little house  
connecting counting rings to post



**Tiptiptap** OÜ

Tiptiptap OÜ  
Veetorni 9,  
Jüri alevik, Rae vald,  
75301 Harjumaa

MATERIAL:	wood, metal, plastic	A4
-----------	----------------------	----

WEIGHT:	SCALE: 1:8	SHEET 10 OF 14
---------	------------	----------------

A

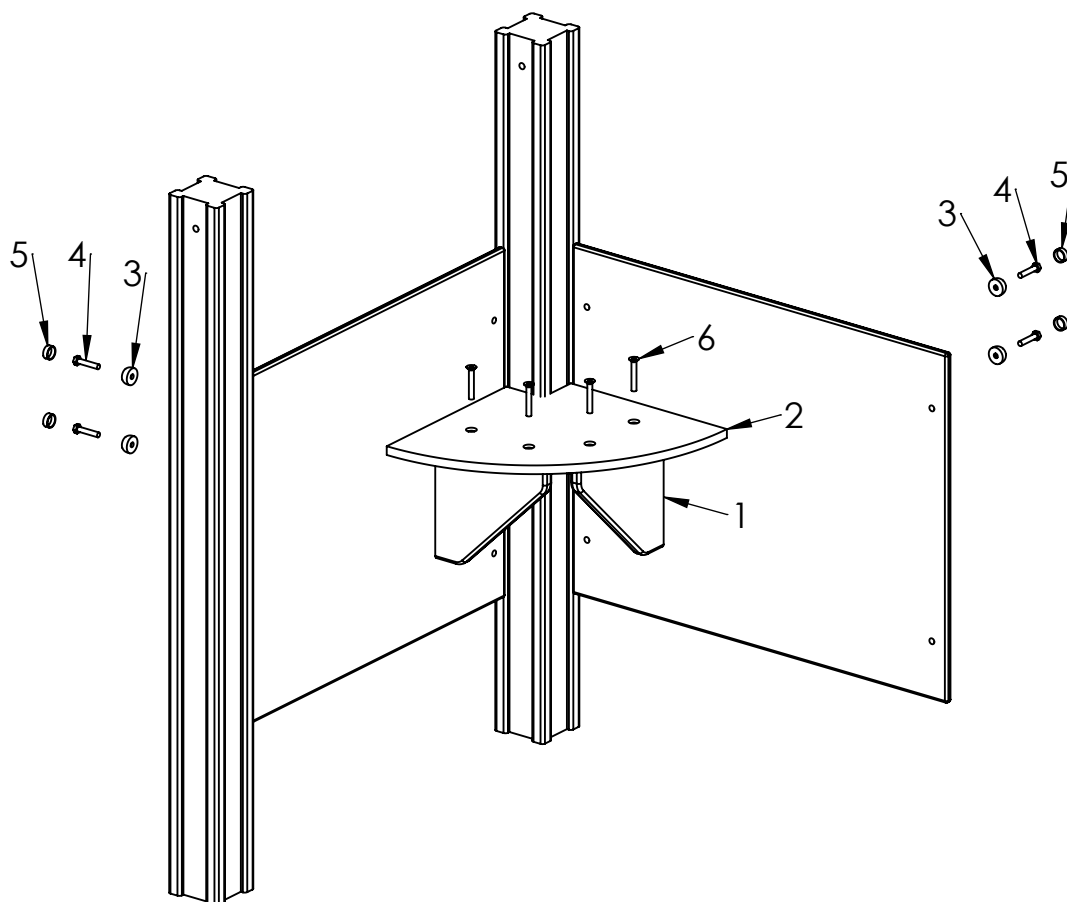
B

C

D

E

F



ITEM NO.	PART NUMBER
1	fixing triangle
2	table plate
3	nut cover M8
4	bolt DIN933 M8x40
5	nut cover cap M8
6	metal screw DIN7991 M8x50

UNLESS OTHERWISE SPECIFIED:  
DIMENSIONS ARE IN MILLIMETERS  
WEIGHT ARE IN KILOGRAMM

	NAME	SIGNATURE	DATE	REVISION
DRAWN	M.Rebase		03.03.2015	
APPV'D				

PART NUMBER / DWG NO.:

LMK001

DESCRIPTION:

Sandbox 3x3 m with little house  
connecting table set to post

MATERIAL:

wood, metal, plastic

A4

WEIGHT:

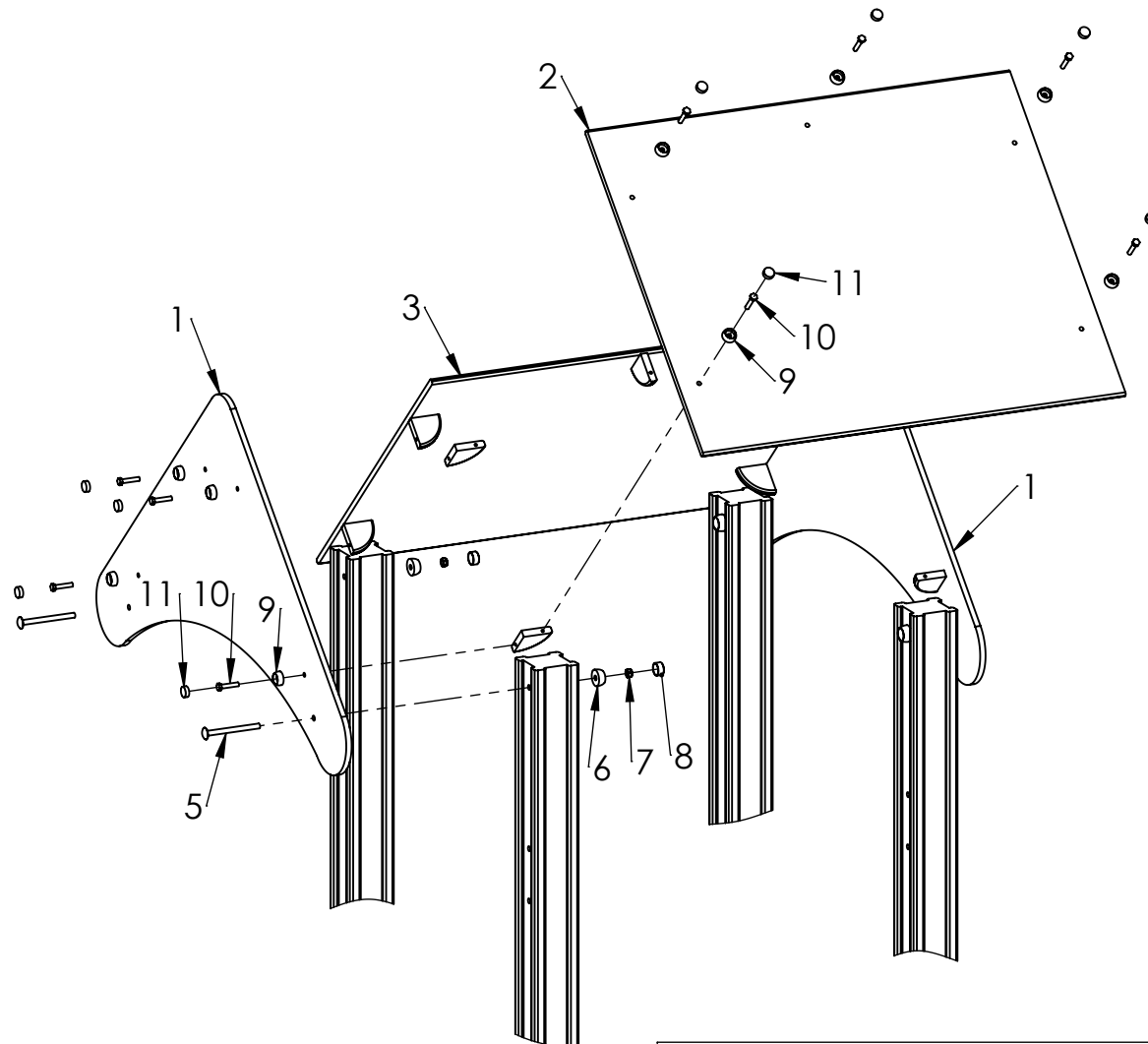
SCALE: 1:12

SHEET 11 OF 14



**Tiptaptap** OÜ

Tiptaptap OÜ  
Veetorni 9,  
Jüri alevik, Rae vald,  
75301 Harjumaa



ITEM NO.	PART NUMBER
1	roof triangle panel
2	roof panel 950x760
3	roof panel 950x745
4	plastic corner
5	bolt DIN603 M10x120
6	nut cover M10
7	nut DIN985 M10
8	nut cover cap M10
9	nut cover M8
10	bolt DIN933 M8x40
11	nut cover cap M8

UNLESS OTHERWISE SPECIFIED:  
DIMENSIONS ARE IN MILLIMETERS  
WEIGHT ARE IN KILOGRAMM

	NAME	SIGNATURE	DATE	REVISION
DRAWN	M.Rebase		03.03.2015	
APPV'D				

PART NUMBER / DWG NO.:  
**LMK001**

DESCRIPTION:  
**Sandbox 3x3 m with little house**



**Tiptap** OÜ  
Tiptap OÜ  
Veetorni 9,  
Jüri alevik, Rae vald,  
75301 Harjumaa

MATERIAL: wood, metal, plastic

A4

WEIGHT: SCALE: 1:15 SHEET 12 OF 14

A

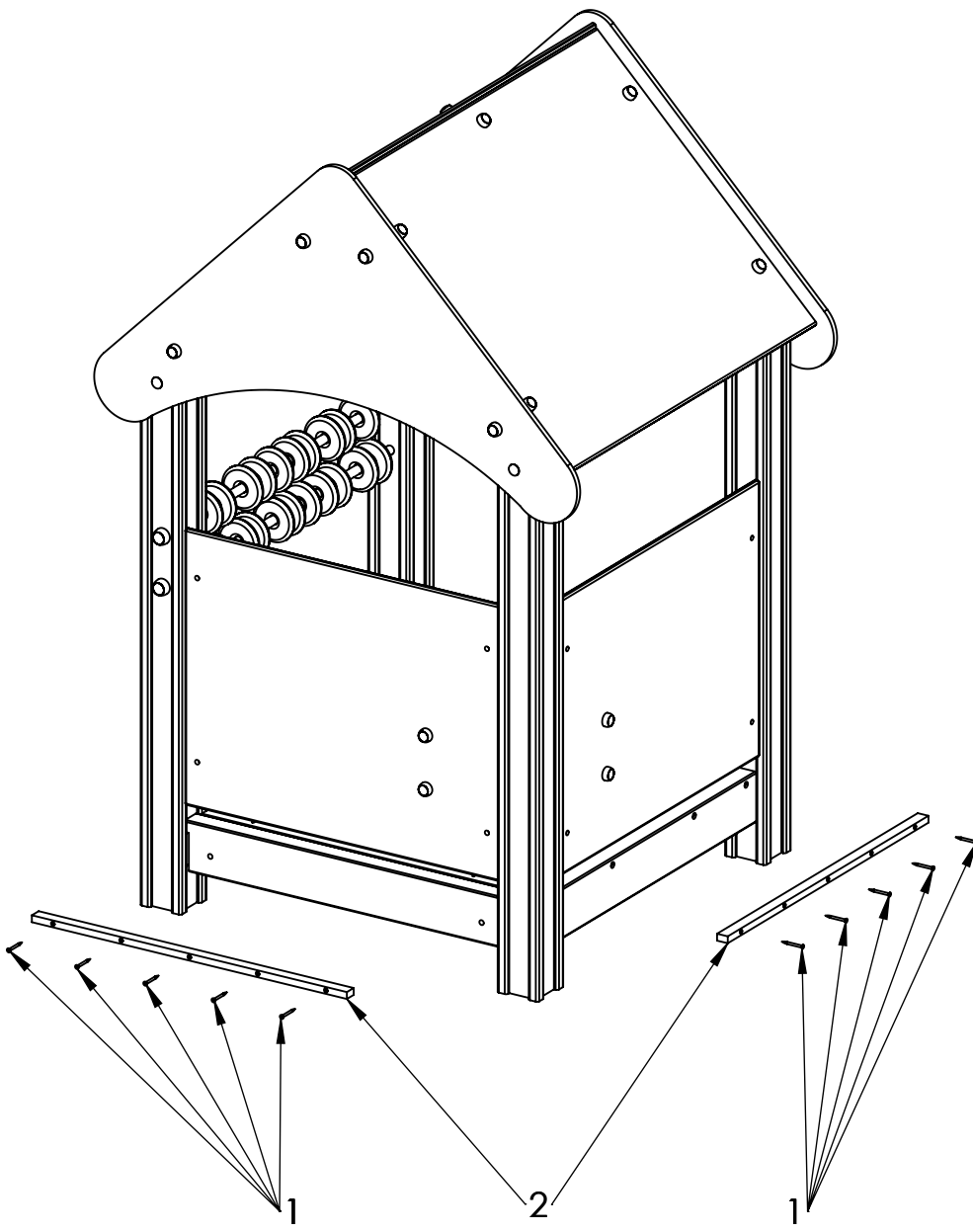
B

C

D

E

F



ITEM NO.	PART NUMBER
1	woodscrew 4,5 x 50
2	slat 15x25x750

UNLESS OTHERWISE SPECIFIED: DIMENSIONS ARE IN MILLIMETERS WEIGHT ARE IN KILOGRAMM				
	NAME	SIGNATURE	DATE	REVISION
DRAWN	M.Rebase		03.03.2015	
APPV'D				

PART NUMBER / DWG NO.:	LMK001
DESCRIPTION:	Sandbox 3x3 m with little house



**Tiptiptap** OÜ  
 Veetorni 9,  
 Jüri alevik, Rae vald,  
 75301 Harjumaa

MATERIAL:	wood, metal, plastic	A4
WEIGHT:	SCALE: 1:15	SHEET 13 OF 14

A

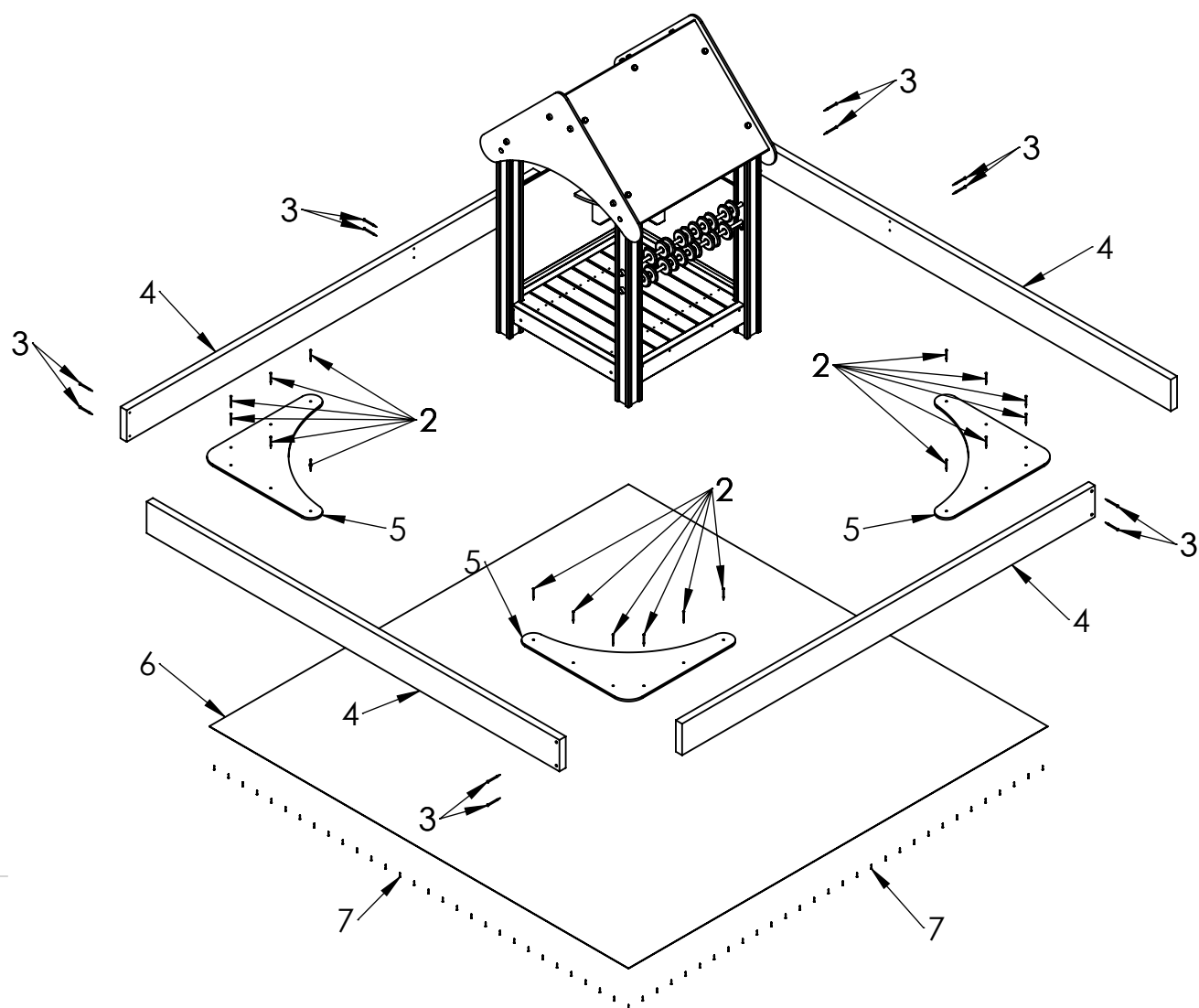
B

C

D

E

F



ITEM NO.	PART NUMBER
1	woodscrew 4,5 x 50
2	woodscrew 4,5 x 70
3	woodscrew 6 x 90
4	side board 45x195x2955
5	sandbox triangle panel
6	geotextile
7	nail 2,5x20

UNLESS OTHERWISE SPECIFIED:  
DIMENSIONS ARE IN MILLIMETERS  
WEIGHT ARE IN KILOGRAMM

	NAME	SIGNATURE	DATE	REVISION
DRAWN	M.Rebase		03.03.2015	
APPV'D				

PART NUMBER / DWG NO.:

LMK001

DESCRIPTION:

Sandbox 3x3 m with little house

MATERIAL:

wood, metal, plastic

A4

WEIGHT:

SCALE: 1:35

SHEET 14 OF 14



**Tiptap** OÜ

Tiptap OÜ  
Veetorni 9,  
Jüri alevik, Rae vald,  
75301 Harjumaa