

A

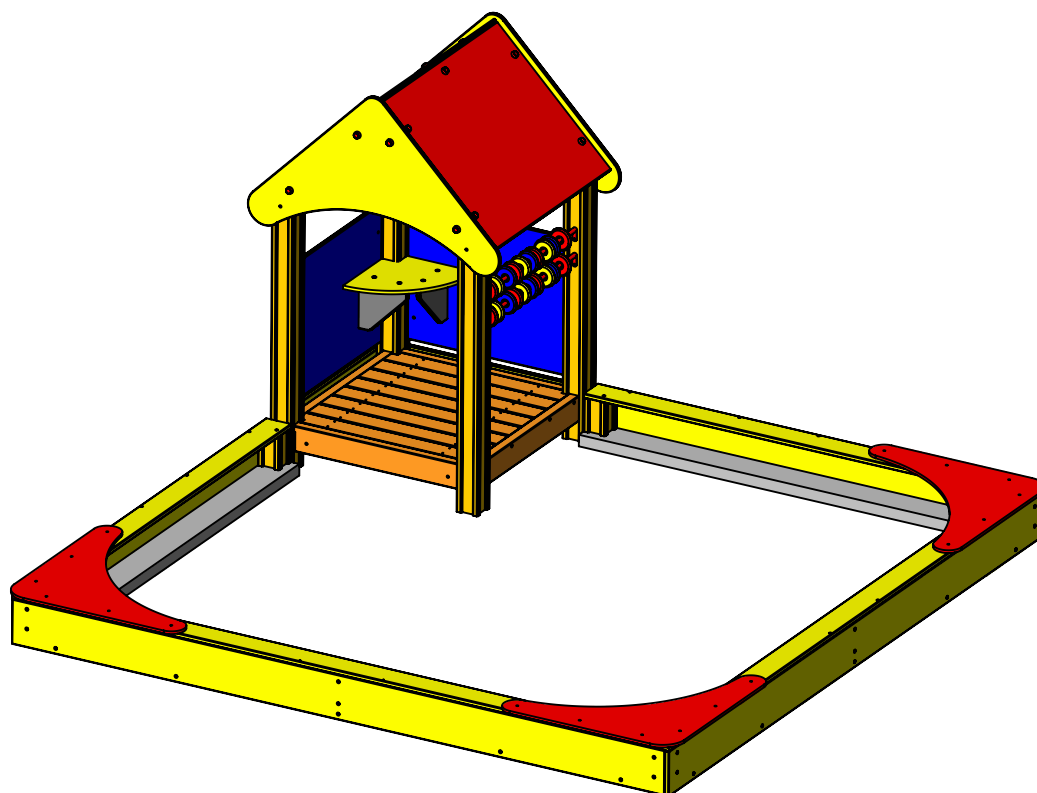
B

C

D

E

F



UNLESS OTHERWISE SPECIFIED:
DIMENSIONS ARE IN MILLIMETERS
WEIGHT ARE IN KILOGRAMM

PART NUMBER / DWG NO.:

LMK001 MF

	NAME	SIGNATURE	DATE	REVISION
DRAWN	R.Fedotov		31.03.2015	
APPV'D				

DESCRIPTION:

Sandbox 3x3m with little house



Tiptaptap OÜ

Tiptaptap OÜ
Veetorni 9,
Jüri alevik, Rae vald,
75301 Harjumaa

MATERIAL:

wood, metal, plastic

A4

WEIGHT:

SCALE: 1:30

SHEET 1 OF 16

Safety area

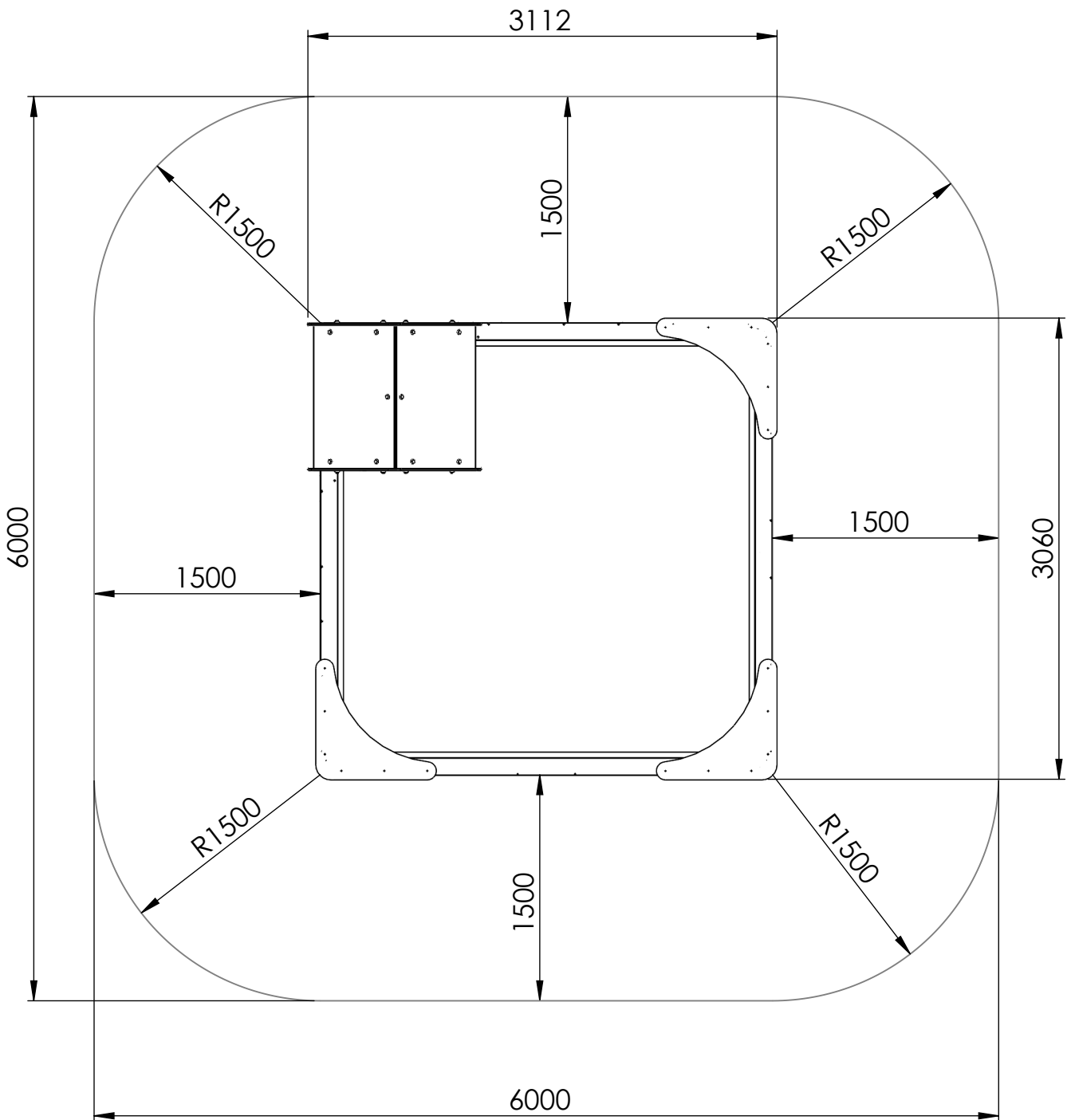
A

B

C

D

E



UNLESS OTHERWISE SPECIFIED:
 DIMENSIONS ARE IN MILLIMETERS
 WEIGHT ARE IN KILOGRAMM

PART NUMBER / DWG NO.:

LMK001 MF

	NAME	SIGNATURE	DATE	REVISION
DRAWN	R.Fedotov		31.03.2015	
APPV'D				

DESCRIPTION:

Sandbox 3x3m with little house



Tiptaptap OÜ

Tiptaptap OÜ
 Veetorni 9,
 Jüri alevik, Rae vald,
 75301 Harjumaa

MATERIAL:

wood, metal, plastic

A4

WEIGHT:

SCALE: 1:40

SHEET 2 OF 16

foundation

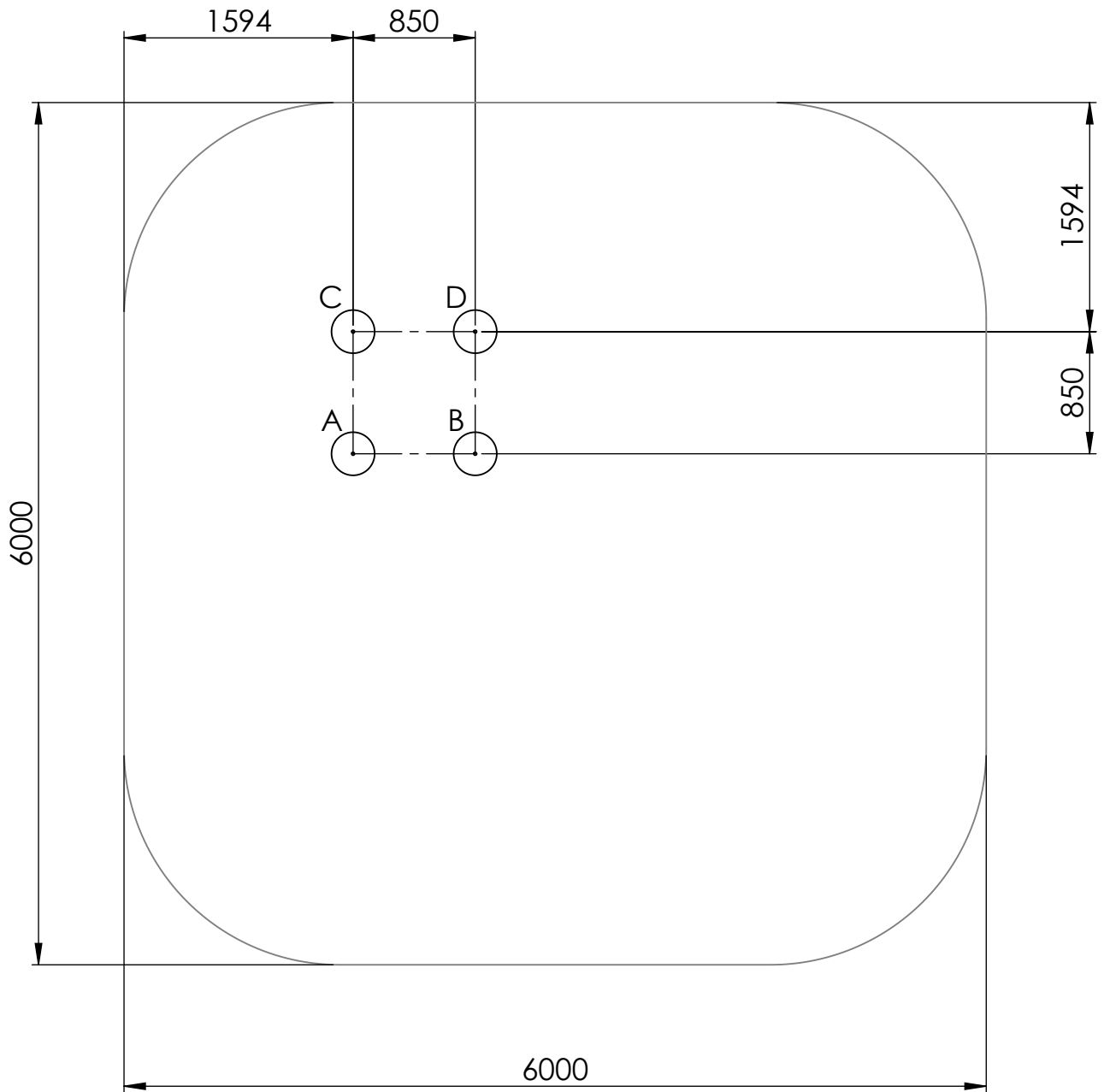
A

B

C

D

E



UNLESS OTHERWISE SPECIFIED:
DIMENSIONS ARE IN MILLIMETERS
WEIGHT ARE IN KILOGRAMM

PART NUMBER / DWG NO.:

LMK001 MF

	NAME	SIGNATURE	DATE	REVISION
DRAWN	R.Fedotov			
APPV'D				

DESCRIPTION:

Sandbox 3x3m with little house

F



Tiptaptap OÜ

Tiptaptap OÜ
Veetorni 9,
Jüri alevik, Rae vald,
75301 Harjumaa

MATERIAL:

wood, metal, plastic

A4

WEIGHT:

SCALE: 1:45

SHEET 3 OF 16

A

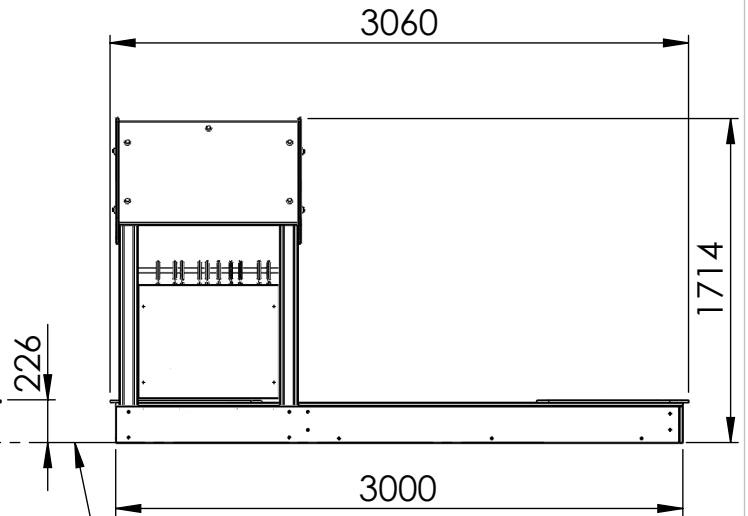
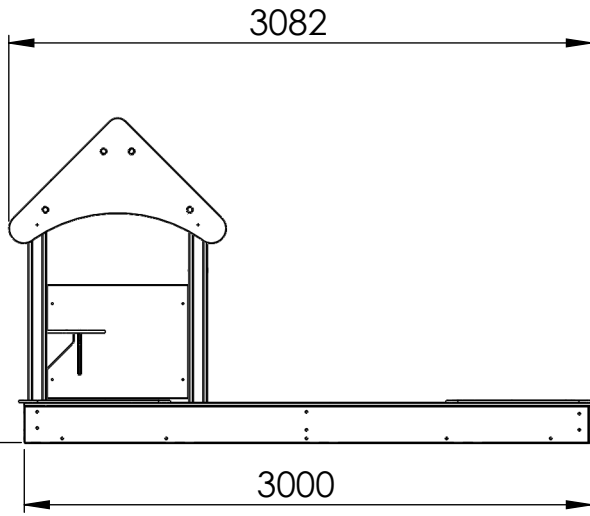
B

C

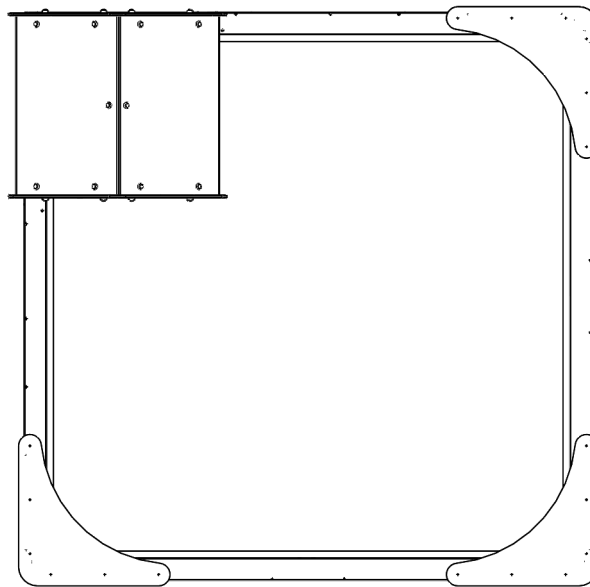
D

E

F



Ground



UNLESS OTHERWISE SPECIFIED:
DIMENSIONS ARE IN MILLIMETERS
WEIGHT ARE IN KILOGRAMM

PART NUMBER / DWG NO.:

LMK001 MF

	NAME	SIGNATURE	DATE	REVISION
DRAWN	R.Fedotov		31.03.2015	
APPV'D				

DESCRIPTION:

Sandbox 3x3m with little house

MATERIAL:

wood, metal, plastic

A4

WEIGHT:

SCALE: 1:40

SHEET 4 OF 16



Tiptaptap OÜ

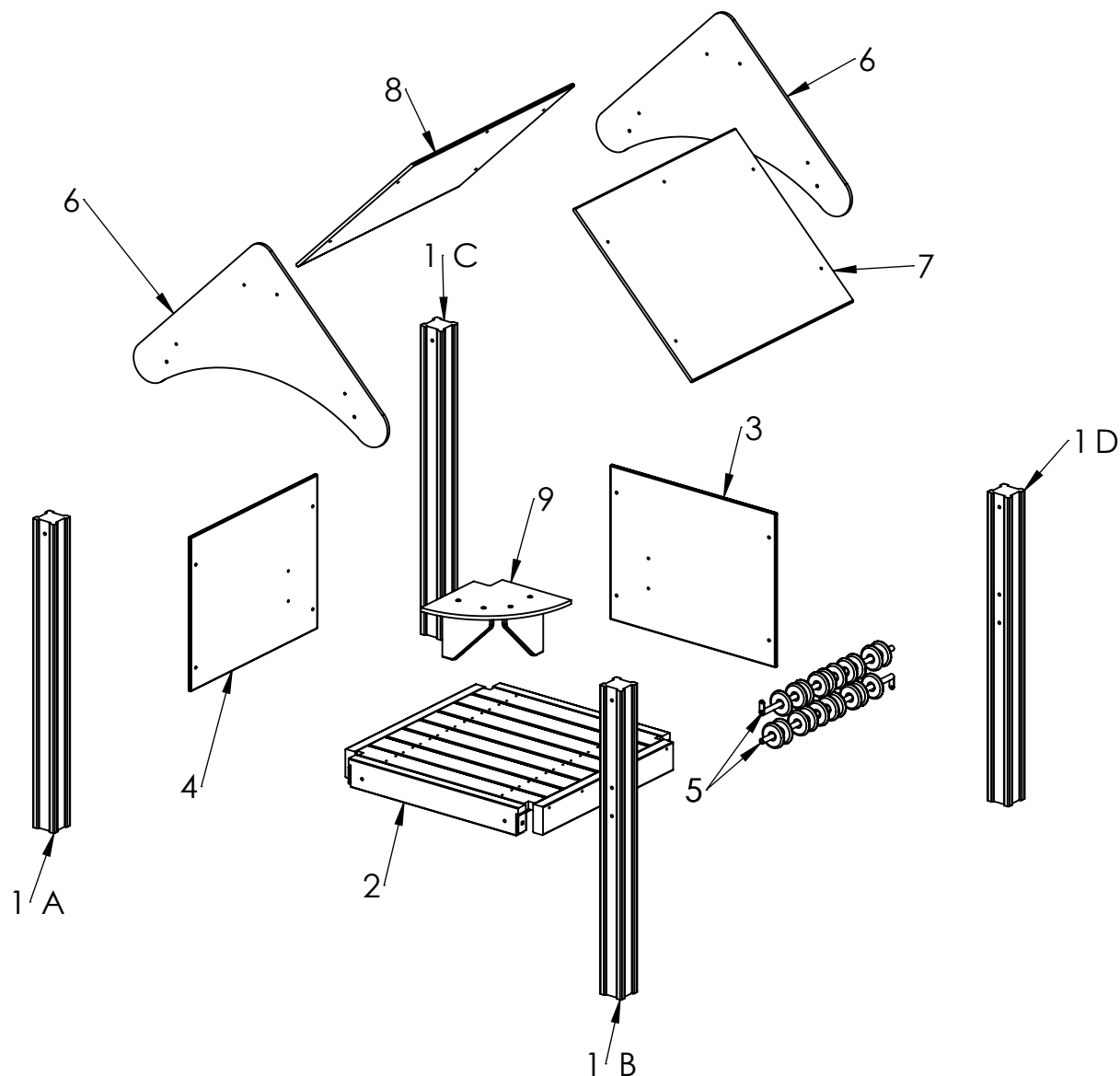
Tiptaptap OÜ
Veetorni 9,
Jüri alevik, Rae vald,
75301 Harjumaa

A

B

C

D



ITEM NO.	PART NUMBER	Description	QTY.
1	post 98x98x1200	painted aluminium	4
2	platform	laminated wood, metal	1
3	panel 750x600	PE plastic	1
4	panel 750x600	PE plastic	1
5	counting rings	painted steel, PE plastic	2
6	roof triangle panel	PE plastic	2
7	roof panel 950x760	PE plastic	1
8	roof panel 950x745	PE plastic	1
9	table with fixings	PE plastic	1

UNLESS OTHERWISE SPECIFIED:
DIMENSIONS ARE IN MILLIMETERS
WEIGHT ARE IN KILOGRAMM

PART NUMBER / DWG NO.:

LMK001 MF

NAME	SIGNATURE	DATE	REVISION
DRAWN R.Fedotov			
APPV'D			

DESCRIPTION:

Sandbox 3x3m with little house

MATERIAL:

wood, metal, plastic

A4

WEIGHT:

SCALE: 1:25

SHEET 5 OF 16



Tiptiptap OÜ

Tiptiptap OÜ
Veetorni 9,
Jüri alevik, Rae vald,
75301 Harjumaa

F

A

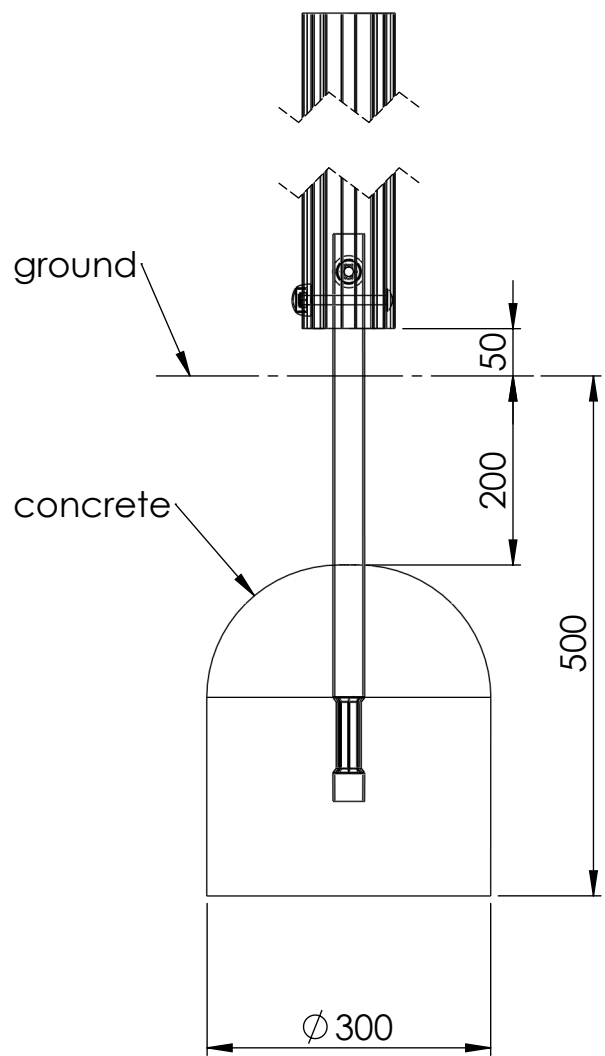
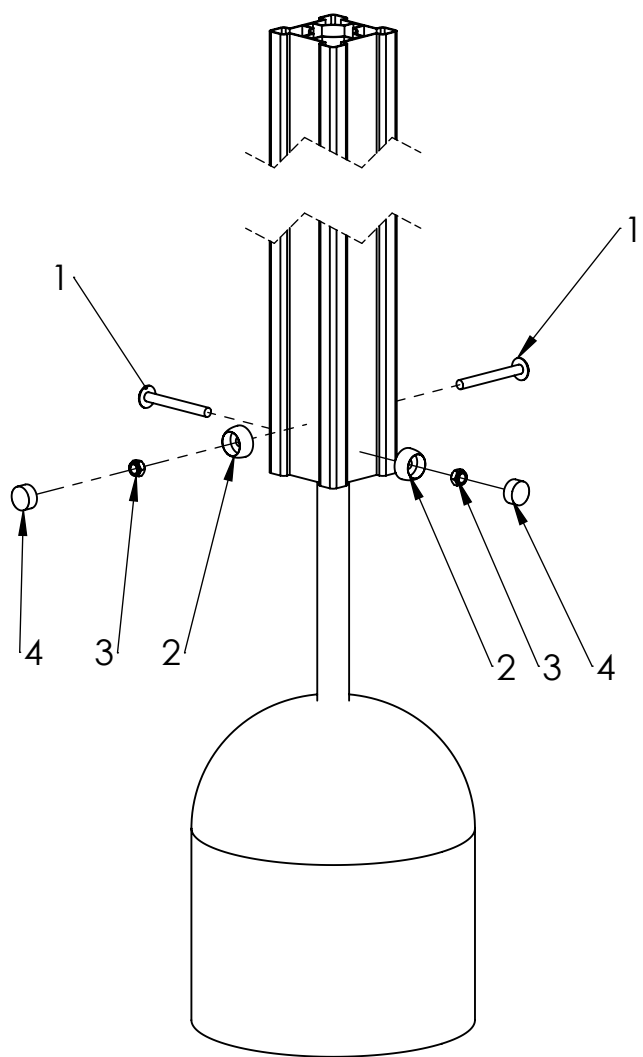
B

C

D

E

F



ITEM NO.	PART NUMBER
1	bolt DIN603 M10x90
2	nut cover M10
3	nut DIN985 M10
4	nut cover cap M10

UNLESS OTHERWISE SPECIFIED:
 DIMENSIONS ARE IN MILLIMETERS
 WEIGHT ARE IN KILOGRAMM

PART NUMBER / DWG NO.:
LMK001 MF

	NAME	SIGNATURE	DATE	REVISION
DRAWN	R.Fedotov			
APPV'D				

DESCRIPTION:
Sandbox 3x3m with little house



Tiptaptap OÜ
 Veetorni 9,
 Jüri alevik, Rae vald,
 75301 Harjumaa

MATERIAL:	wood, metal, plastic	A4
WEIGHT:	SCALE: 1:8	SHEET 6 OF 16

Direction of polts on ground fixing

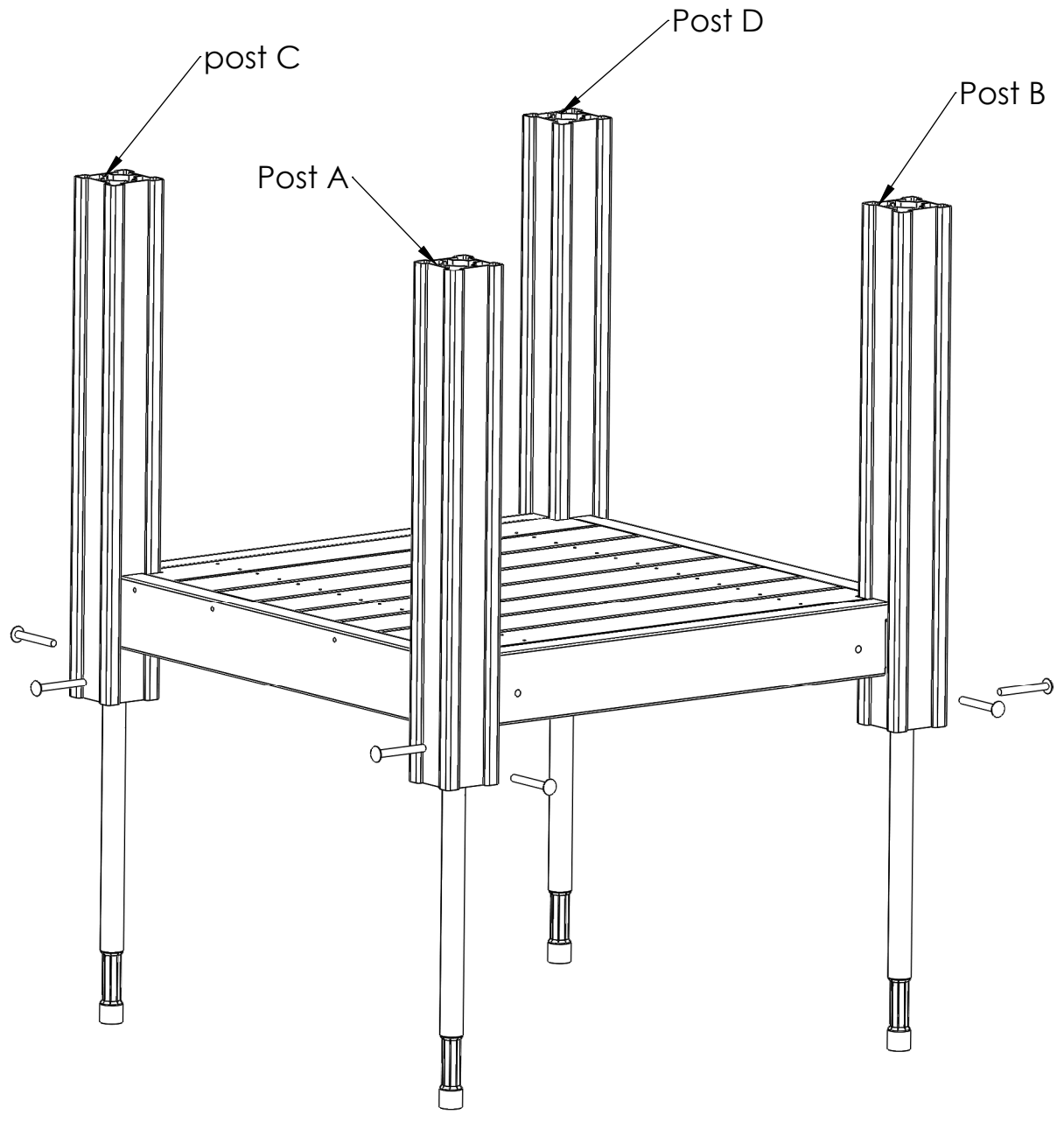
A

B

C

D

E



UNLESS OTHERWISE SPECIFIED:
 DIMENSIONS ARE IN MILLIMETERS
 WEIGHT ARE IN KILOGRAMM

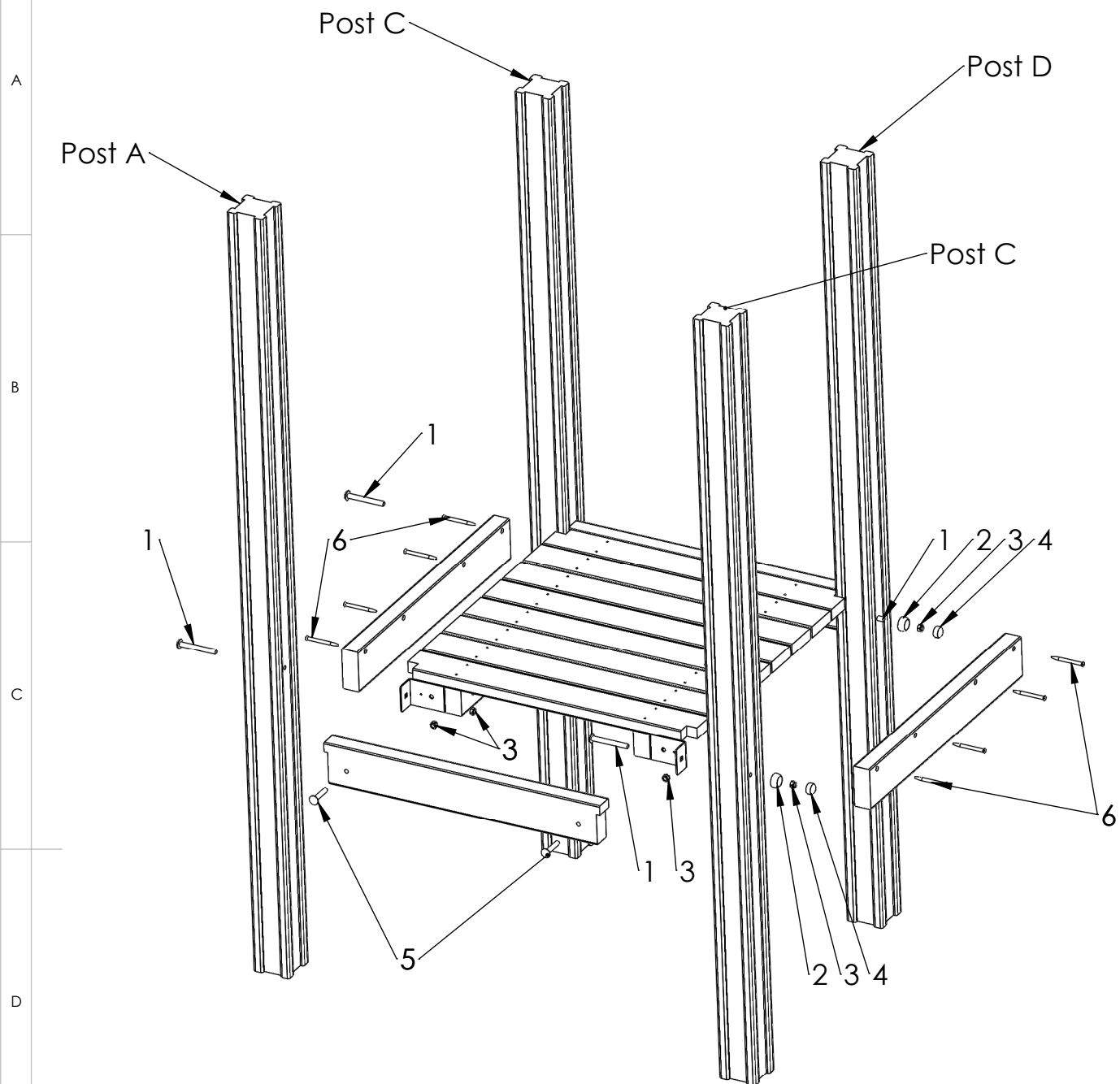
	NAME	SIGNATURE	DATE	REVISION
DRAWN	R.Fedotov			
APPV'D				

PART NUMBER / DWG NO.:
LMK001 MF

DESCRIPTION:
Sandbox 3x3m with little house

Tiptiptap OÜ
 Veetorni 9,
 Jüri alevik, Rae vald,
 75301 Harjumaa

MATERIAL:	wood, metal, plastic	A4
WEIGHT:	SCALE: 1:10	SHEET 7 OF 16



ITEM NO.	PART NUMBER
1	bolt DIN603 M10x100
2	nut cover M10
3	nut DIN985 M10
4	nut cover cap M10
5	bolt DIN603 M10x60
6	Woodscrew 6 x 90

UNLESS OTHERWISE SPECIFIED:
DIMENSIONS ARE IN MILLIMETERS
WEIGHT ARE IN KILOGRAMM

PART NUMBER / DWG NO.:

LMK001 MF

	NAME	SIGNATURE	DATE	REVISION
DRAWN	R.Fedotov			
APPV'D				

DESCRIPTION:

Sandbox 3x3m with little house
connecting platform to post

MATERIAL:

wood, metal, plastic

A4

WEIGHT:

SCALE: 1:15

SHEET 8 OF 16



Tiptap OÜ

Tiptap OÜ
Veetorni 9,
Jüri alevik, Rae vald,
75301 Harjumaa

A

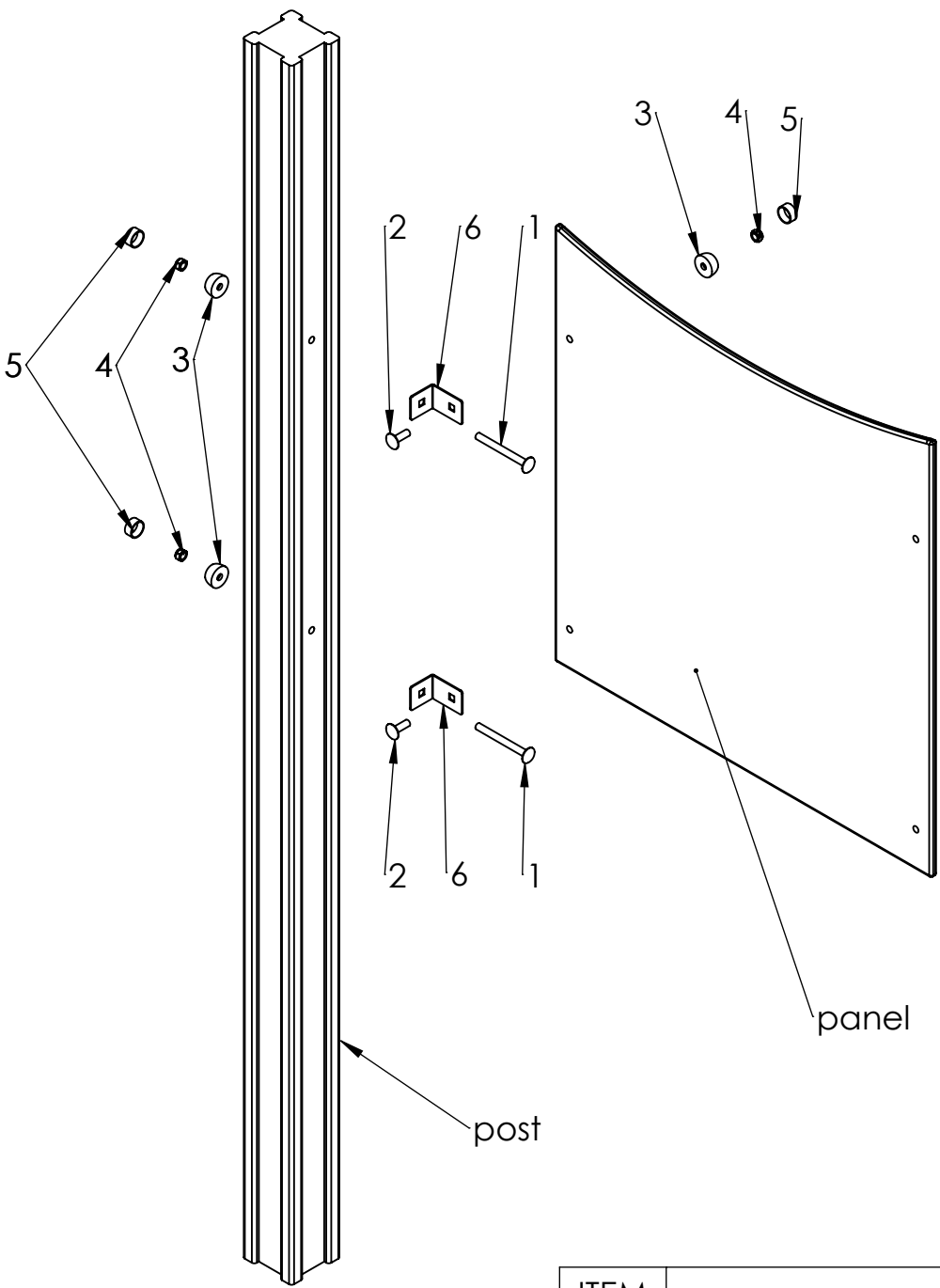
B

C

D

E

F



ITEM NO.	PART NUMBER
1	bolt DIN603 M10x100
2	bolt DIN603 M10x30
3	nut cover M10
4	nut DIN985 M10
5	nut cover cap M10
6	Corner 90°

UNLESS OTHERWISE SPECIFIED: DIMENSIONS ARE IN MILLIMETERS WEIGHT ARE IN KILOGRAMM				
	NAME	SIGNATURE	DATE	REVISION
DRAWN	R.Fedotov			
APPV'D				

PART NUMBER / DWG NO.:	LMK001 MF
DESCRIPTION:	Sandbox 3x3m with little house connecting panel to post



Tiptiptap OÜ
 Tiptiptap OÜ
 Veetorni 9,
 Jüri alevik, Rae vald,
 75301 Harjumaa

MATERIAL:	wood, metal, plastic	A4
WEIGHT:	SCALE: 1:10	SHEET 9 OF 16

A

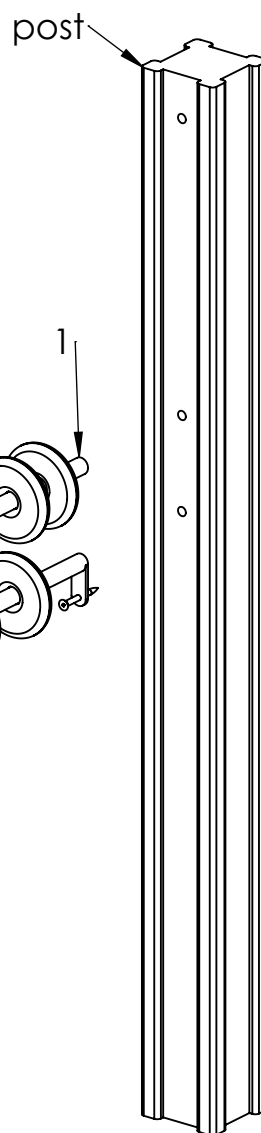
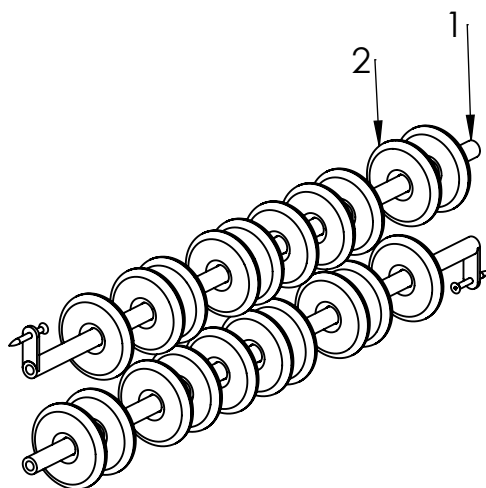
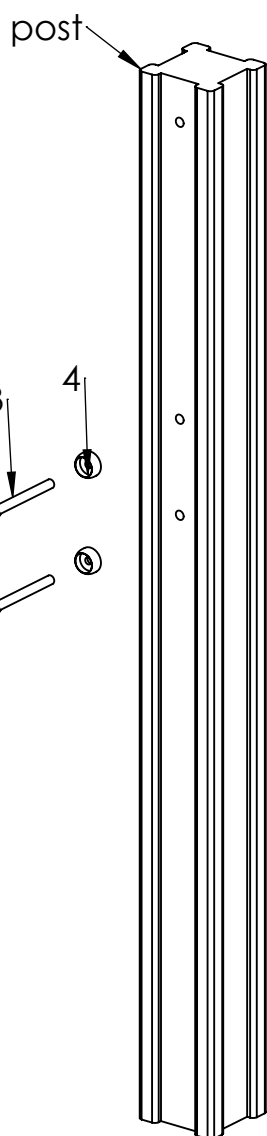
B

C

D

E

F



ITEM NO.	PART NUMBER
1	beam 18x770
2	ring
3	bolt DIN931 M10x100
4	nut cover M8
5	nut cover cap M8
6	woodscrew 6x60

UNLESS OTHERWISE SPECIFIED:
DIMENSIONS ARE IN MILLIMETERS
WEIGHT ARE IN KILOGRAMM

PART NUMBER / DWG NO.:

LMK001 MF

	NAME	SIGNATURE	DATE	REVISION
DRAWN	R.Fedotov			
APPV'D				

DESCRIPTION:

Sandbox 3x3m with little house
connecting counting rings to post



Tiptaptap OÜ

Tiptaptap OÜ
Veetorni 9,
Jüri alevik, Rae vald,
75301 Harjumaa

MATERIAL:

wood, metal, plastic

A4

WEIGHT:

SCALE: 1:8

SHEET 10 OF 16

A

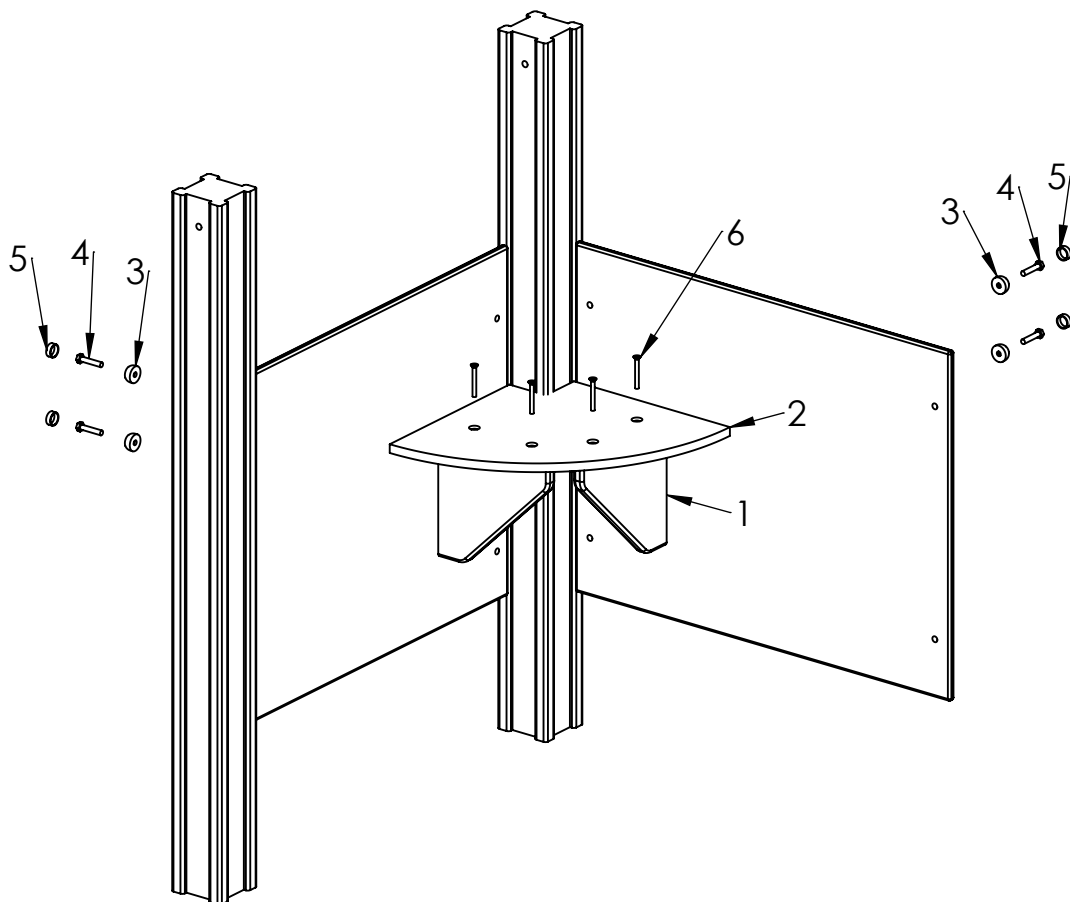
B

C

D

E

F



ITEM NO.	PART NUMBER
1	fixing triangle
2	table plate
3	nut cover M8
4	bolt DIN933 M8x40
5	nut cover cap M8
6	DIN7991 süvis sisekuuskant

UNLESS OTHERWISE SPECIFIED:
DIMENSIONS ARE IN MILLIMETERS
WEIGHT ARE IN KILOGRAMM

PART NUMBER / DWG NO.:

LMK001 MF

	NAME	SIGNATURE	DATE	REVISION
DRAWN	R.Fedotov			
APPV'D				

DESCRIPTION:

Sandbox 3x3m with little house
connecting table set to post

MATERIAL:

wood, metal, plastic

A4

WEIGHT:

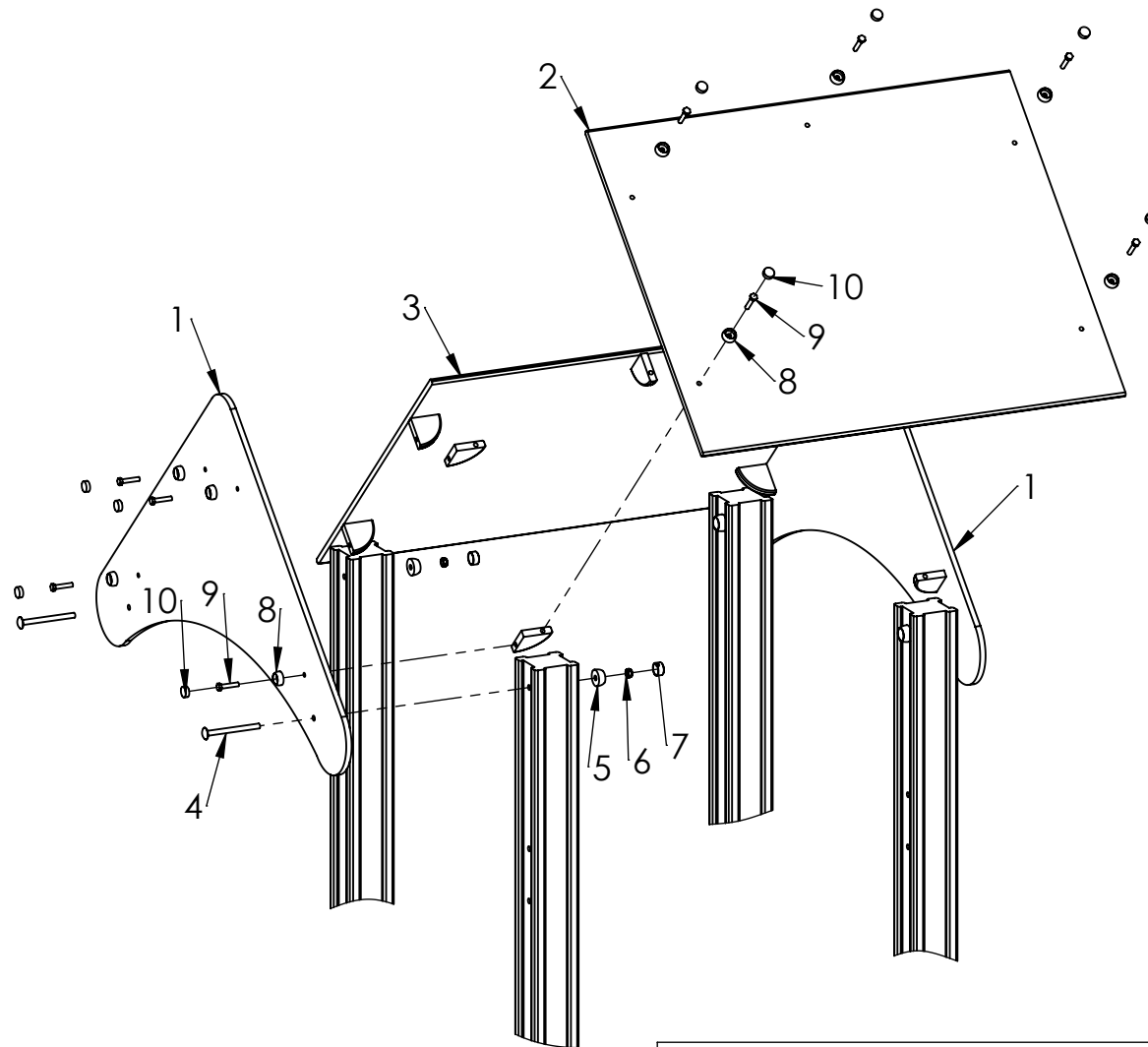
SCALE: 1:12

SHEET 11 OF 16



Tiptaptap OÜ

Tiptaptap OÜ
Veetorni 9,
Jüri alevik, Rae vald,
75301 Harjumaa



ITEM NO.	PART NUMBER
1	roof triangle panel
2	roof panel 950x760
3	roof panel 950x745
4	bolt DIN603 M10x120
5	nut cover M10
6	nut DIN985 M10
7	nut cover cap M10
8	nut cover M8
9	bolt DIN933 M8x40
10	nut cover cap M8
11	Plastic corner 90°

UNLESS OTHERWISE SPECIFIED:
DIMENSIONS ARE IN MILLIMETERS
WEIGHT ARE IN KILOGRAMM

	NAME	SIGNATURE	DATE	REVISION
DRAWN	R.Fedotov			
APPV'D				



Tiptap OÜ

Tiptap OÜ
Veetorni 9,
Jüri alevik, Rae vald,
75301 Harjumaa

PART NUMBER / DWG NO.:

LMK001 MF

DESCRIPTION:

Sandbox 3x3m with little house

MATERIAL:

wood, metal, plastic

A4

WEIGHT:

SCALE: 1:15

SHEET 12 OF 16

A

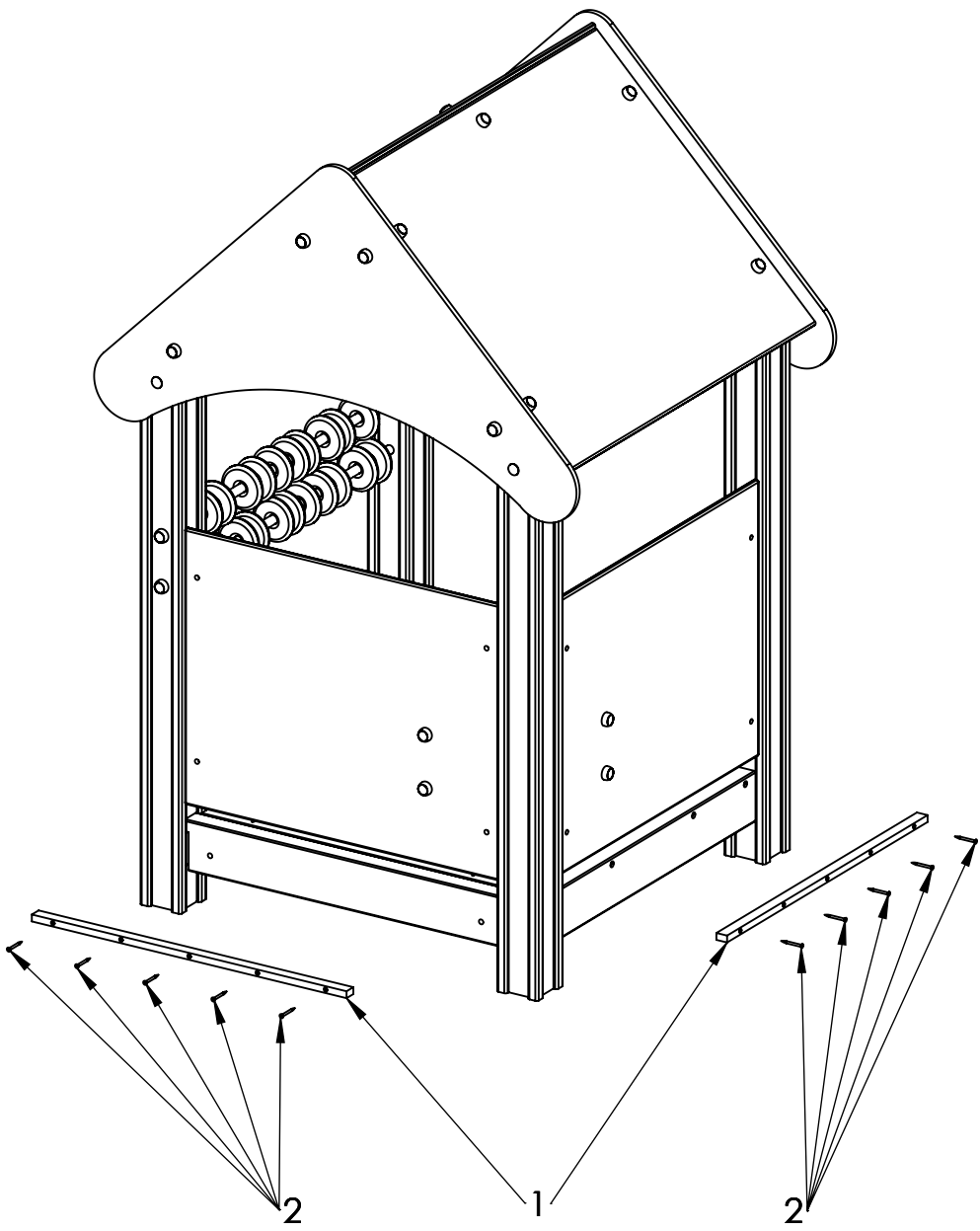
B

C

D

E

F



ITEM NO.	PART NUMBER
1	slat 15x25x750
2	woodscrew 4,5 x 50

UNLESS OTHERWISE SPECIFIED: DIMENSIONS ARE IN MILLIMETERS WEIGHT ARE IN KILOGRAMM				
	NAME	SIGNATURE	DATE	REVISION
DRAWN	R.Fedotov			
APPV'D				

PART NUMBER / DWG NO.:	LMK001 MF
DESCRIPTION:	Sandbox 3x3m with little house



Tiptiptap OÜ
Veetorni 9,
Jüri alevik, Rae vald,
75301 Harjumaa

MATERIAL:	wood, metal, plastic	A4
WEIGHT:	SCALE: 1:15	SHEET 13 OF 16

A

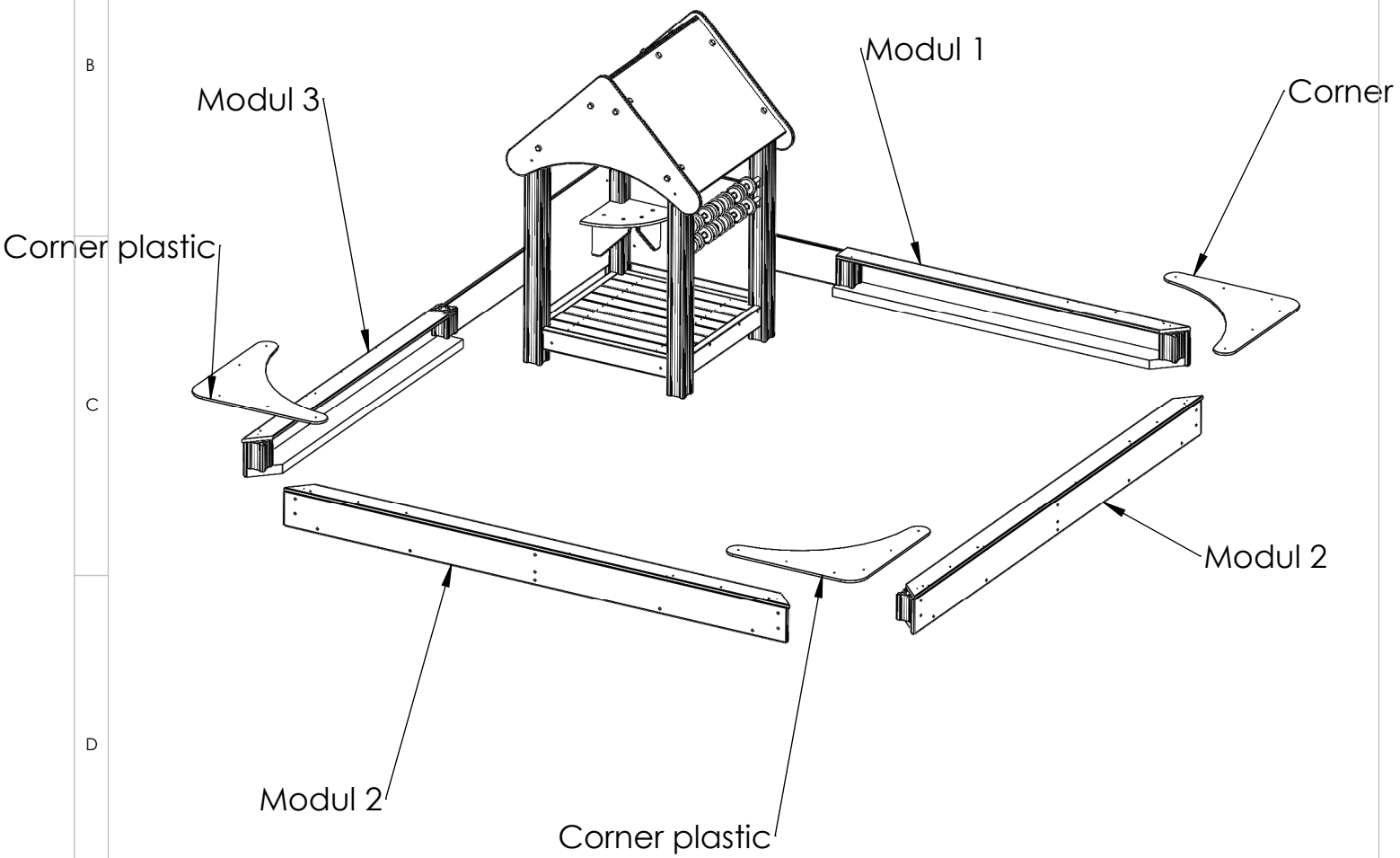
B

C

D

E

F



UNLESS OTHERWISE SPECIFIED: DIMENSIONS ARE IN MILLIMETERS WEIGHT ARE IN KILOGRAMM				
	NAME	SIGNATURE	DATE	REVISION
DRAWN	R.Fedotov		31.03.2015	
APPV'D				

PART NUMBER / DWG NO.:
LMK001 MF

DESCRIPTION:
Sandbox 3x3m with little house



Tiptaptap OÜ
Veetorni 9,
Jüri alevik, Rae vald,
75301 Harjumaa

MATERIAL:	wood, metal, plastic	A4
WEIGHT:	SCALE: 1:35	SHEET 14 OF 16

Fixing corner

A

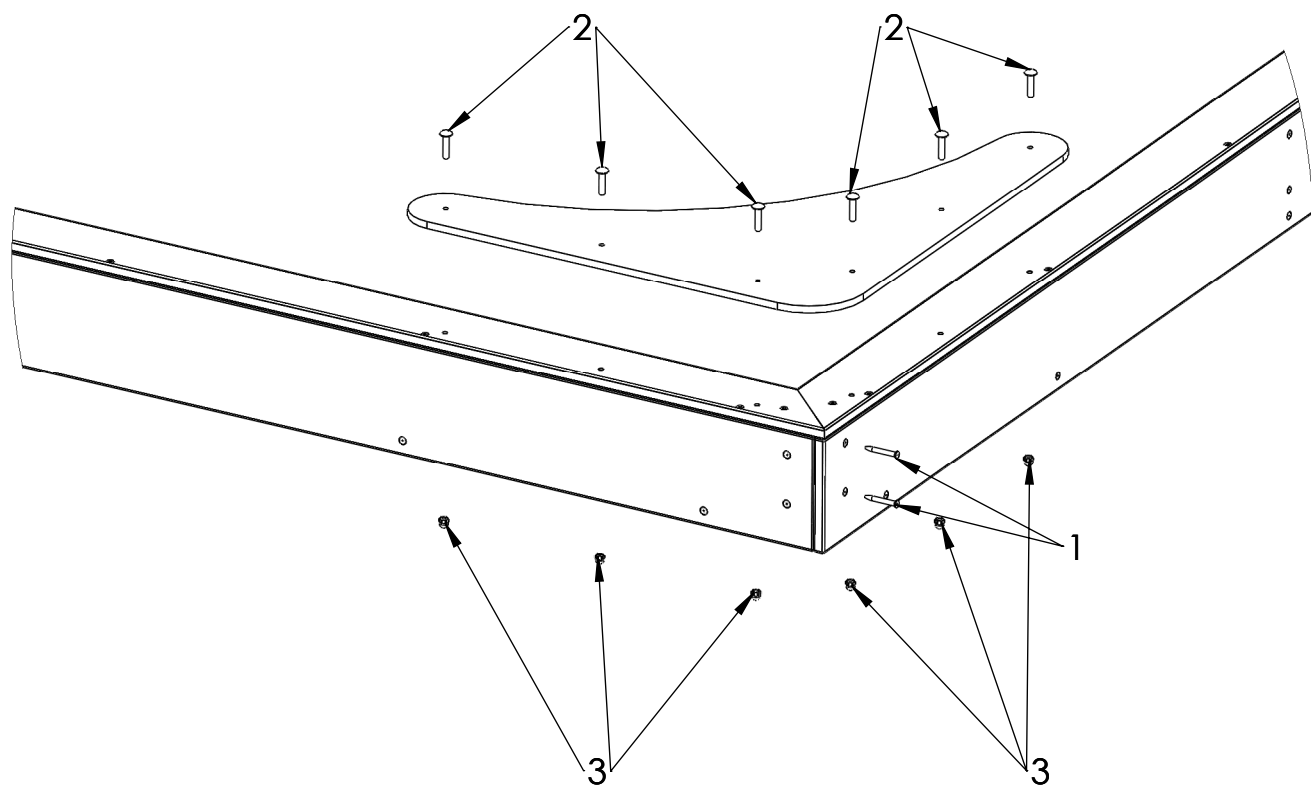
B

C

D

E

F



ITEM NO.	PART NUMBER
1	woodscrew 6x60
2	bolt DIN603 M8x40
3	domed cap nut DIN1587 M8

UNLESS OTHERWISE SPECIFIED:
DIMENSIONS ARE IN MILLIMETERS
WEIGHT ARE IN KILOGRAMM

PART NUMBER / DWG NO.:

LMK001 MF

	NAME	SIGNATURE	DATE	REVISION
DRAWN	R.Fedotov		31.03.2015	
APPV'D				

DESCRIPTION:

Sandbox 3x3m with little house



Tiptaptap OÜ

Tiptaptap OÜ
Veetorni 9,
Jüri alevik, Rae vald,
75301 Harjumaa

MATERIAL:

wood, metal, plastic

A4

WEIGHT:

SCALE: 1:12

SHEET 15 OF 16

A

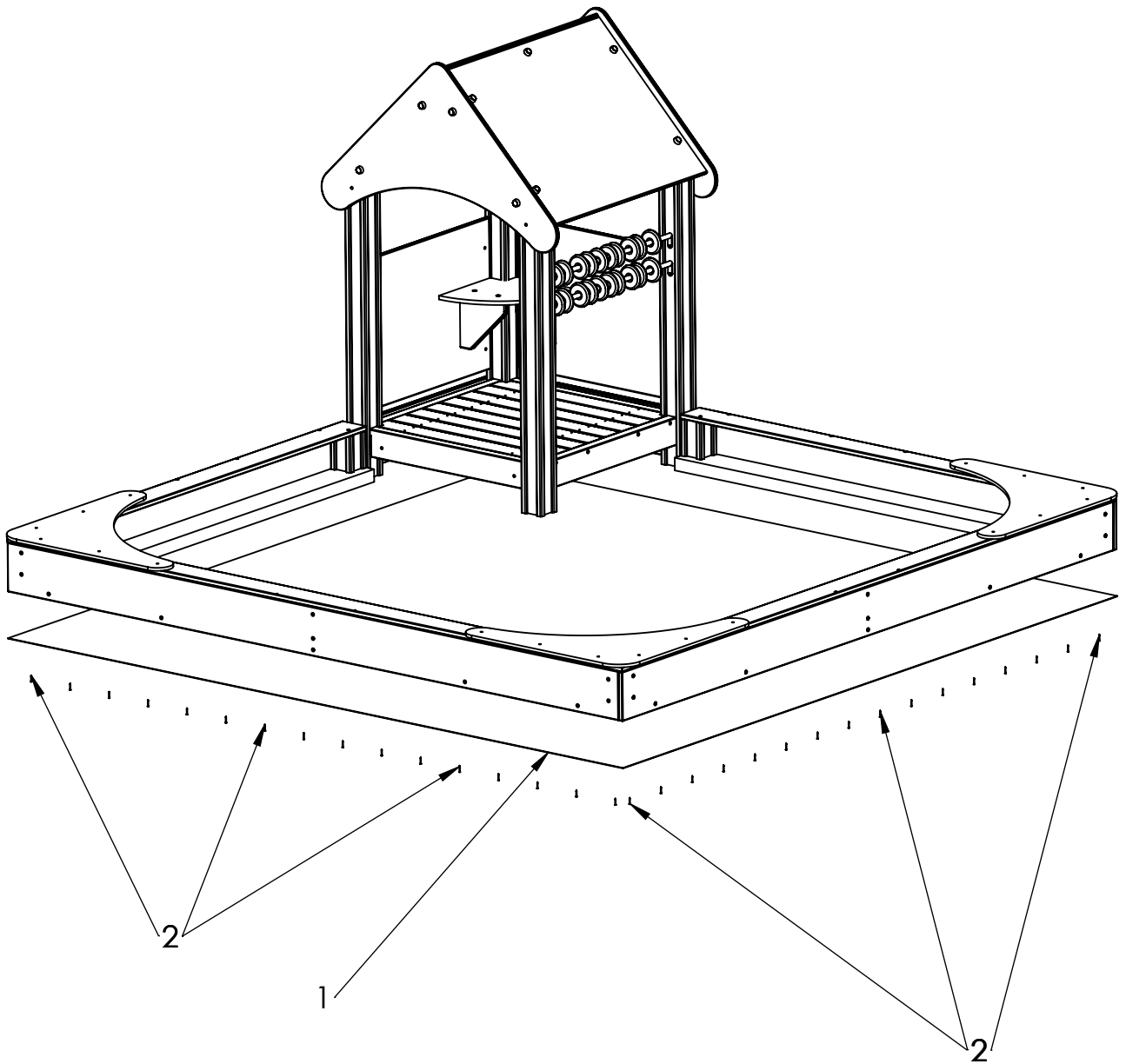
B

C

D

E

F



ITEM NO.	PART NUMBER
1	geotextile
2	nail 2,5x20

UNLESS OTHERWISE SPECIFIED: DIMENSIONS ARE IN MILLIMETERS WEIGHT ARE IN KILOGRAMM				
	NAME	SIGNATURE	DATE	REVISION
DRAWN	R.Fedotov		31.03.2015	
APPV'D				

PART NUMBER / DWG NO.:		LMK001 MF	
DESCRIPTION:			
Sandbox 3x3m with little house			



Tiptaptap OÜ
 Veetorni 9,
 Jüri alevik, Rae vald,
 75301 Harjumaa

MATERIAL:	wood, metal, plastic	A4
WEIGHT:	SCALE: 1:25	SHEET 16 OF 16