

A

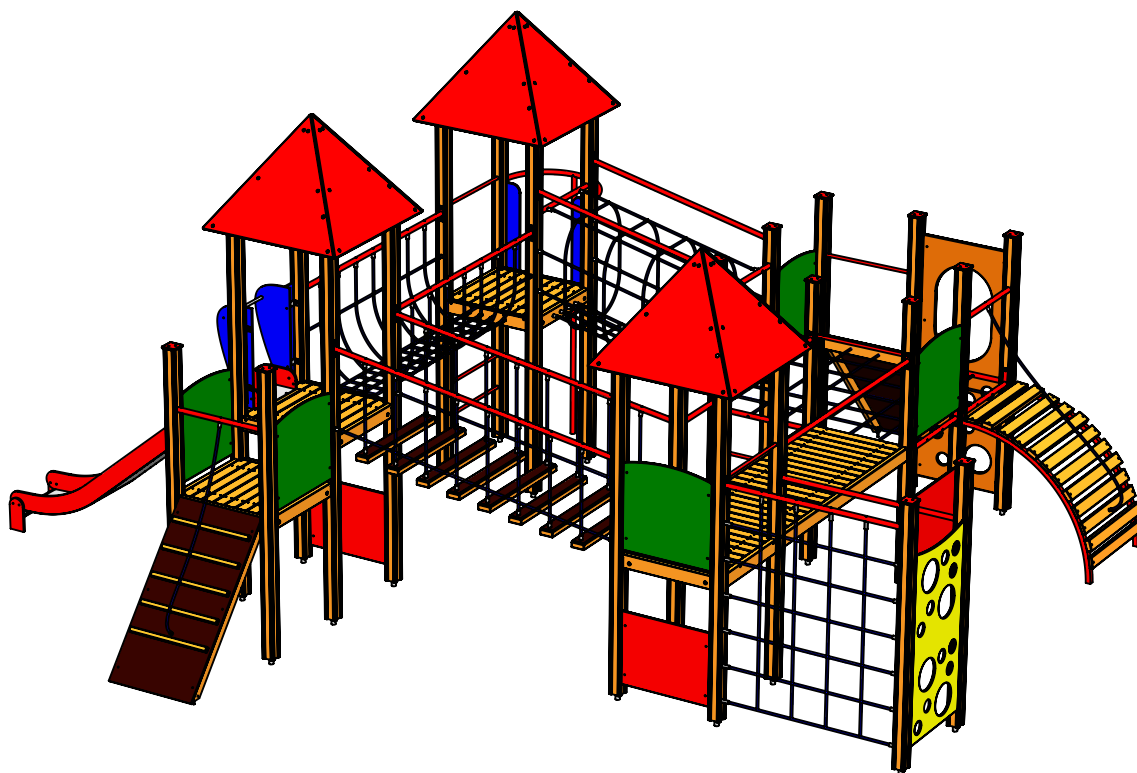
B

C

D

E

F



UNLESS OTHERWISE SPECIFIED:
DIMENSIONS ARE IN MILLIMETERS
WEIGHT ARE IN KILOGRAMM

PART NUMBER / DWG NO.:

LM310

	NAME	SIGNATURE	DATE	REVISION
DRAWN	M.Rebase		29.08.2014	
APPV'D				

DESCRIPTION:

Play Centre ELISABETH



Tiptaptap OÜ

Tiptaptap OÜ
Veetorni 9,
Jüri alevik, Rae vald,
75301 Harjumaa

MATERIAL:

wood, metal, plastic

A4

WEIGHT:

SCALE: 1:50

SHEET 1 OF 28

safety area

A

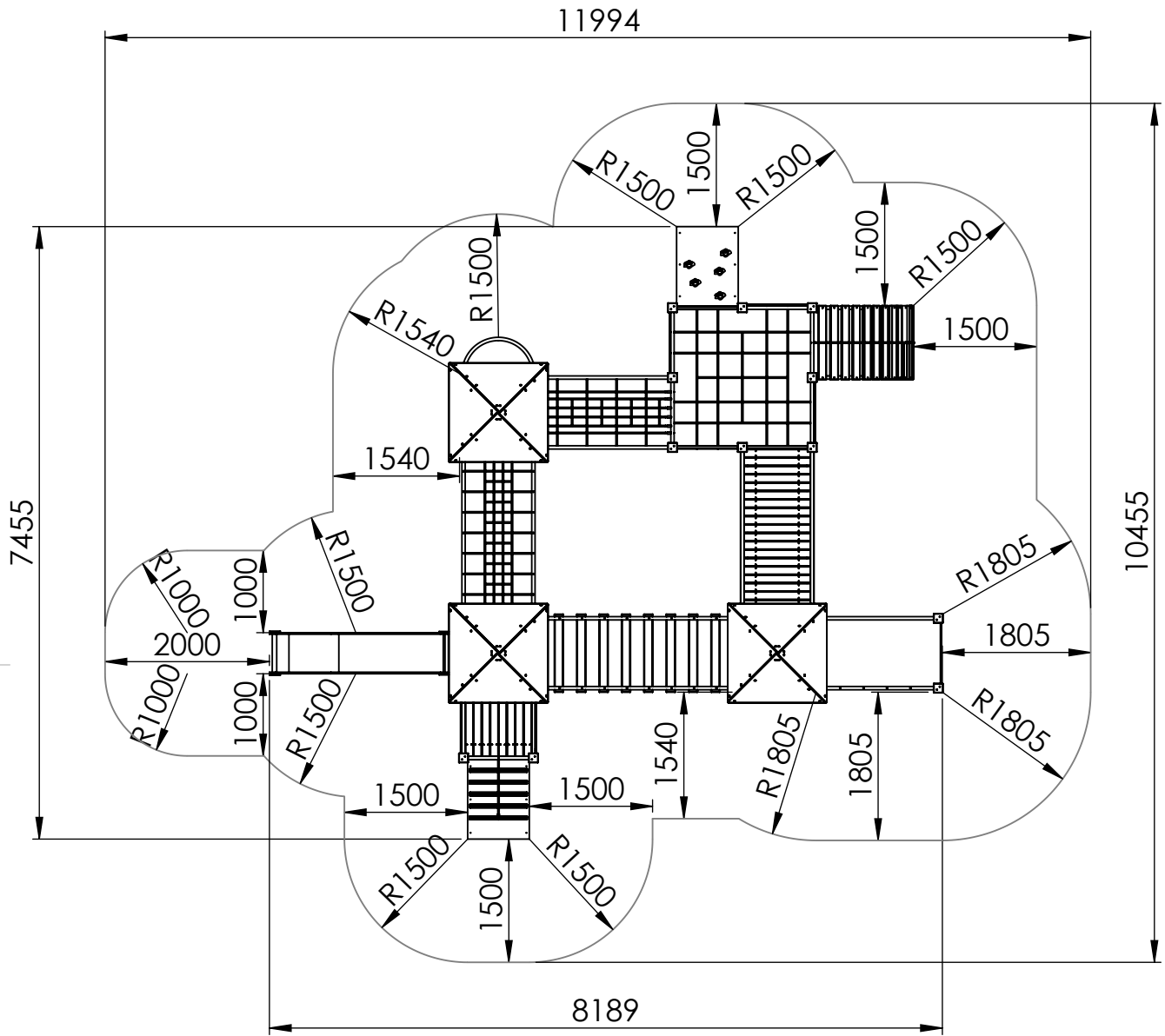
B

C

D

E

F



UNLESS OTHERWISE SPECIFIED:
DIMENSIONS ARE IN MILLIMETERS
WEIGHT ARE IN KILOGRAMM

PART NUMBER / DWG NO.:
LM310

	NAME	SIGNATURE	DATE	REVISION
DRAWN	M.Rebase		29.08.2014	
APPV'D				

DESCRIPTION:
Play Centre ELISABETH



Tiptaptap OÜ
Veetorni 9,
Jüri alevik, Rae vald,
75301 Harjumaa

MATERIAL:	wood, metal, plastic	A4
WEIGHT:		SCALE: 1:80
		SHEET 2 OF 28

foundation

A

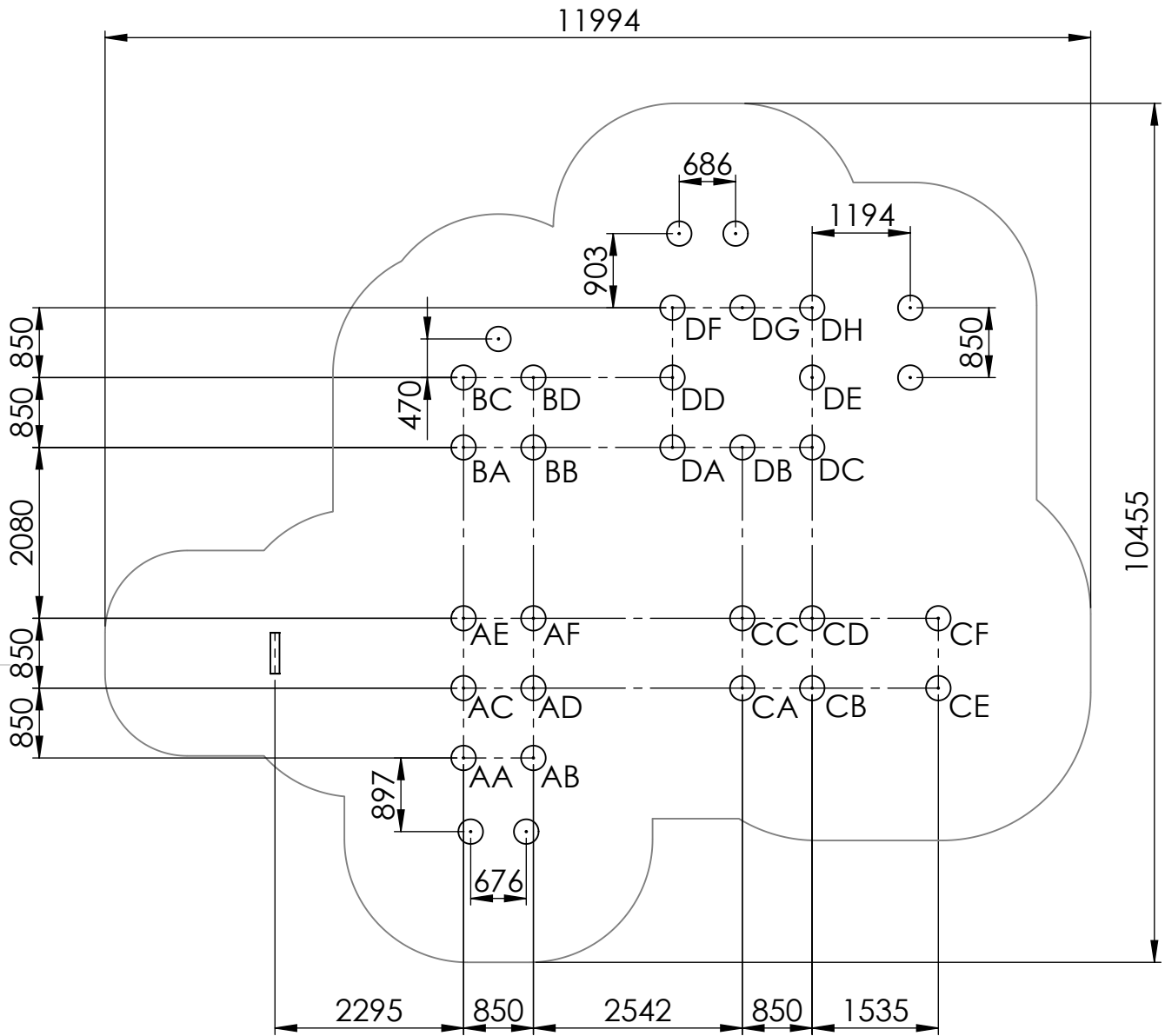
B

C

D

E

F



depth of foundation 500mm

UNLESS OTHERWISE SPECIFIED:
DIMENSIONS ARE IN MILLIMETERS
WEIGHT ARE IN KILOGRAMM

PART NUMBER / DWG NO.:

LM310

	NAME	SIGNATURE	DATE	REVISION
DRAWN	M.Rebase		29.08.2014	
APPV'D				

DESCRIPTION:

Play Centre ELISABETH



Tiptaptap OÜ

Tiptaptap OÜ
Veetorni 9,
Jüri alevik, Rae vald,
75301 Harjumaa

MATERIAL:

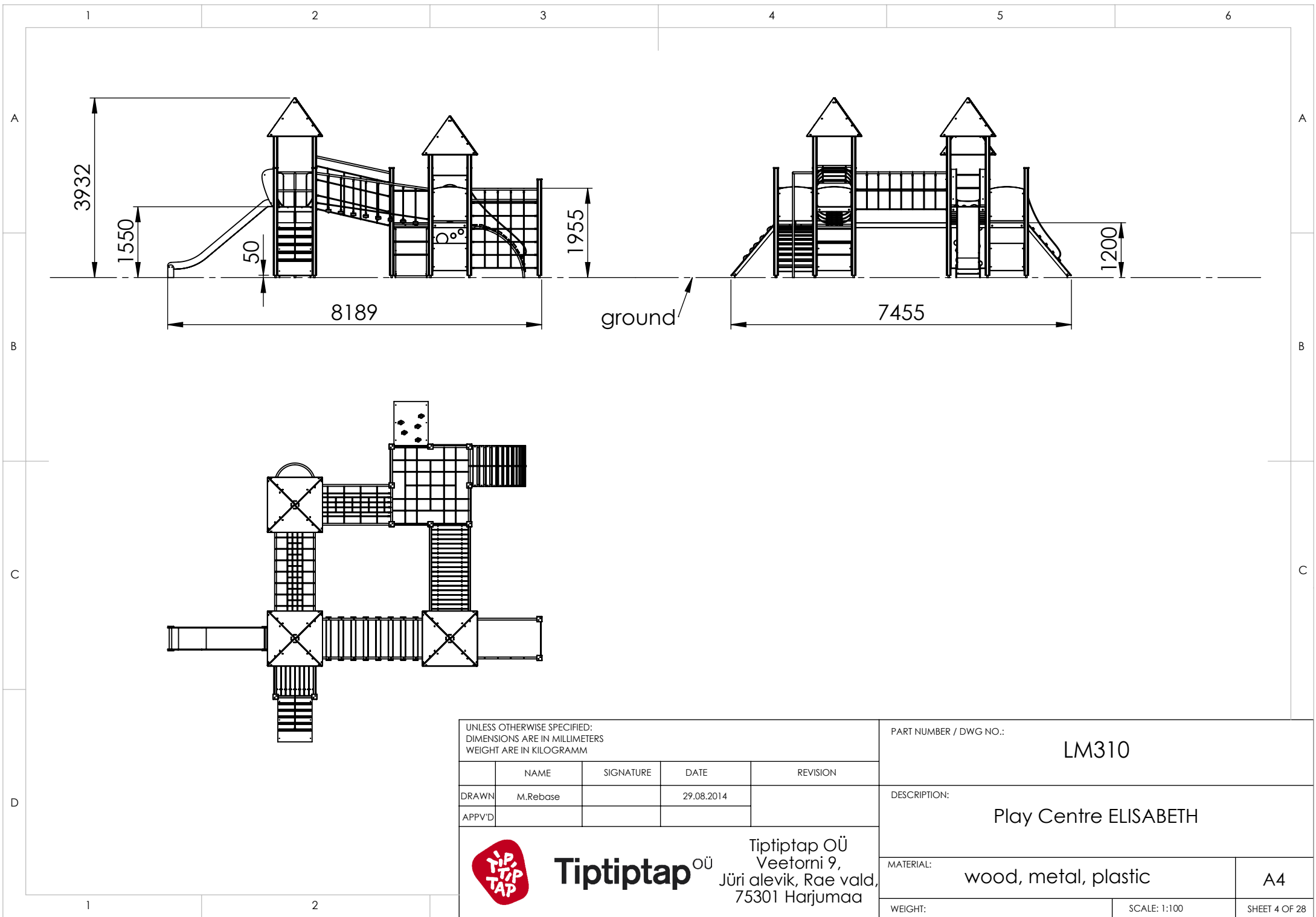
wood, metal, plastic

A4

WEIGHT:

SCALE: 1:80

SHEET 3 OF 28



UNLESS OTHERWISE SPECIFIED:
 DIMENSIONS ARE IN MILLIMETERS
 WEIGHT ARE IN KILOGRAMM

	NAME	SIGNATURE	DATE	REVISION
DRAWN	M.Rebase		29.08.2014	
APPV'D				

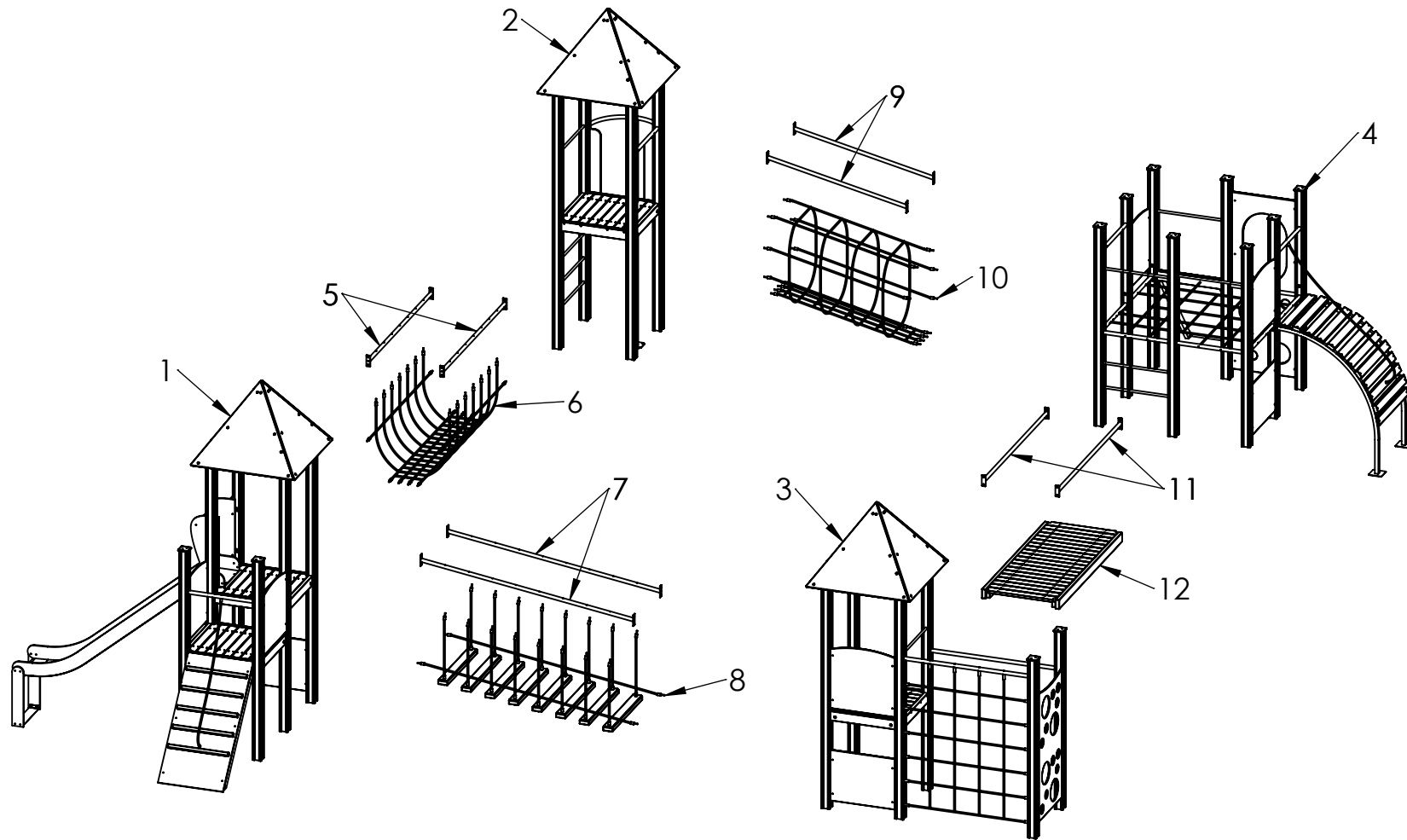


Tiptaptap OÜ
 Tiptaptap OÜ
 Veetorni 9,
 Jüri alevik, Rae vald,
 75301 Harjumaa

PART NUMBER / DWG NO.:
LM310

DESCRIPTION:
Play Centre ELISABETH

MATERIAL:	wood, metal, plastic	A4
WEIGHT:		SCALE: 1:100
		SHEET 4 OF 28



UNLESS OTHERWISE SPECIFIED:
 DIMENSIONS ARE IN MILLIMETERS
 WEIGHT ARE IN KILOGRAMM

PART NUMBER / DWG NO.:
LM310

	NAME	SIGNATURE	DATE	REVISION
DRAWN	M.Rebase		29.08.2014	
APPV'D				

DESCRIPTION:
Play Centre ELISABETH




Tiptaptap OÜ
 Tiptaptap OÜ
 Veetorni 9,
 Jüri alevik, Rae vald,
 75301 Harjumaa

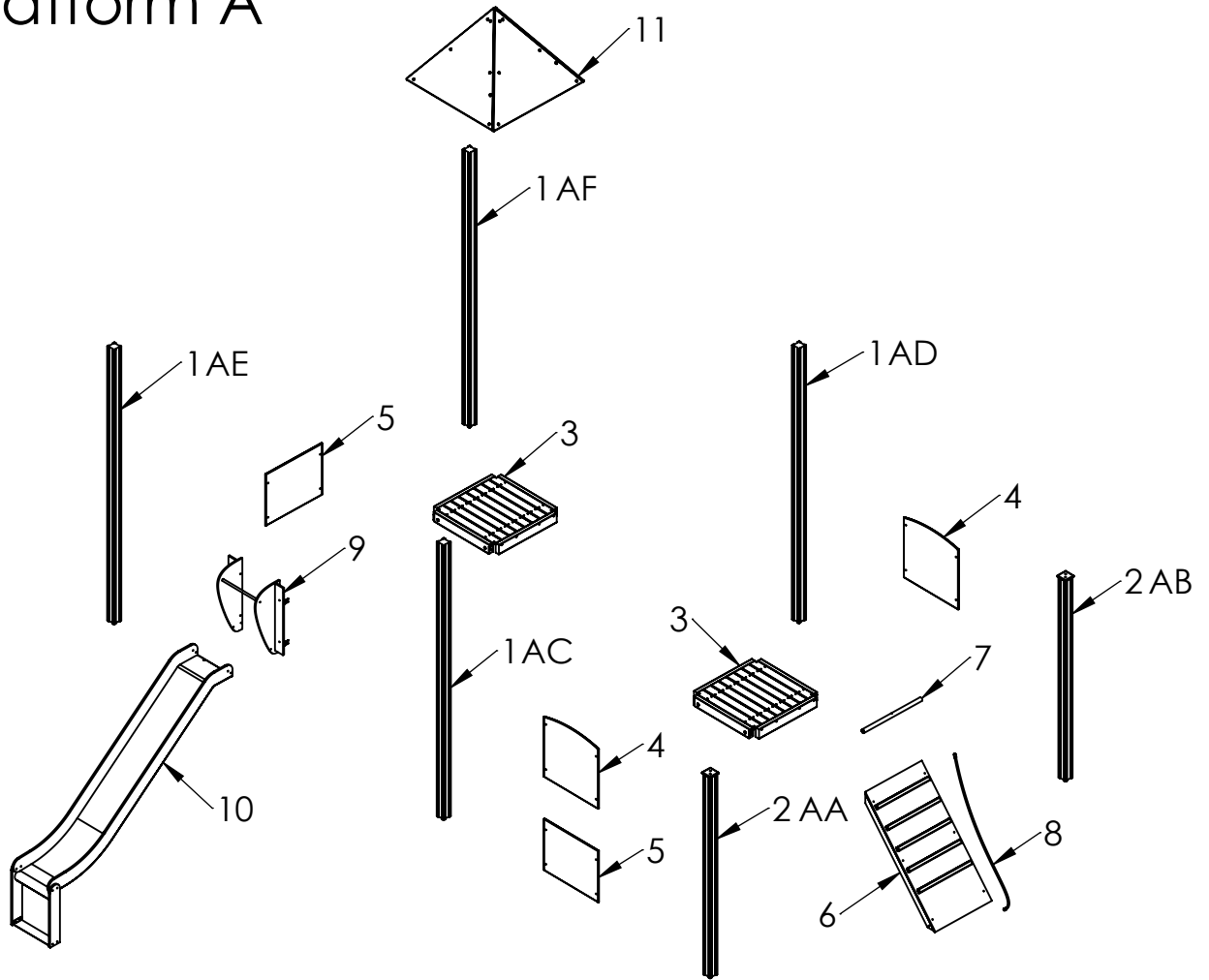
MATERIAL:	wood, metal, plastic	A4
WEIGHT:		SCALE: 1:70
		SHEET 5 OF 28

ITEM NO.	PART NUMBER	DESCRIPTION	QTY.
1	platform A (LM310)	wood, metal, plastic	1
2	platform B (LM310)	wood, metal, plastic	1
3	platform C (LM310)	wood, metal, plastic	1
4	platform D (LM310)	wood, metal, plastic	1
5	beam 40x2000, 7 holes	painting steel	2
6	rope bridge	PP covered steel wire	1
7	inclined beam d.40x2487, 8 holes	painting steel	2
8	inclined brige, 8 steps	PP covered steel wire, wood	1
9	inclined beam d.40x1650	painting steel	2
10	inclined rope tunnel	PP covered steel wire	1
11	beam 40x2000	painting steel	2
12	platform L_2000	laminated wood	1



UNLESS OTHERWISE SPECIFIED: DIMENSIONS ARE IN MILLIMETERS WEIGHT ARE IN KILOGRAMM				PART NUMBER / DWG NO.: LM310		
	NAME	SIGNATURE	DATE	REVISION		
DRAWN	M.Rebase		29.08.2014			
APPV'D						
 Tiptaptap OÜ Tiptaptap OÜ Veetorni 9, Jüri alevik, Rae vald, 75301 Harjumaa				DESCRIPTION: Play Centre ELISABETH		
				MATERIAL: wood, metal, plastic		A4
				WEIGHT:		SCALE: 1:70

platform A



ITEM NO.	PART NUMBER	DESCRIPTION	QTY.
1	post 98x98x3200	laminated wood	4
2	post 98x98x2350	laminated wood	2
3	platform	laminated wood, metal	2
4	panel 750x750	plywood	2
5	panel 750x600	plywood	2
6	climbing panel h.1200	laminated wood, plywood	1
7	guardrail d.40x770 with 1 hole	painted steel	1
8	rope d.16x1815	PP covered steel wire	1
9	slide guard block	plywood, painted steel	1
10	slide h_1550	stainless steel, PE plastic	1
11	roof	plywood	1

UNLESS OTHERWISE SPECIFIED:
DIMENSIONS ARE IN MILLIMETERS
WEIGHT ARE IN KILOGRAMM

PART NUMBER / DWG NO.:

LM310

	NAME	SIGNATURE	DATE	REVISION
DRAWN	M.Rebase		29.08.2014	
APPV'D				

DESCRIPTION:

Play Centre ELISABETH

MATERIAL:

wood, metal, plastic

A4

WEIGHT:

SCALE: 1:70

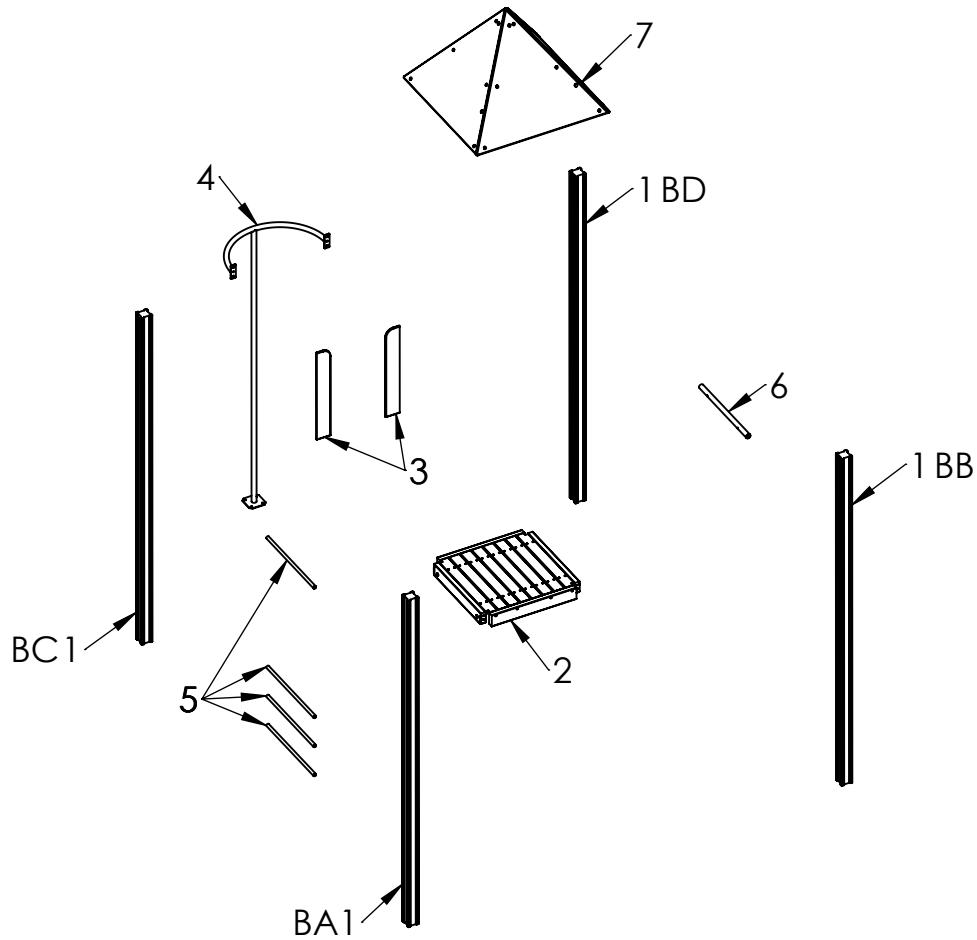
SHEET 7 OF 28




Tiptiptap OÜ

Tiptiptap OÜ
Veetorni 9,
Jüri alevik, Rae vald,
75301 Harjumaa

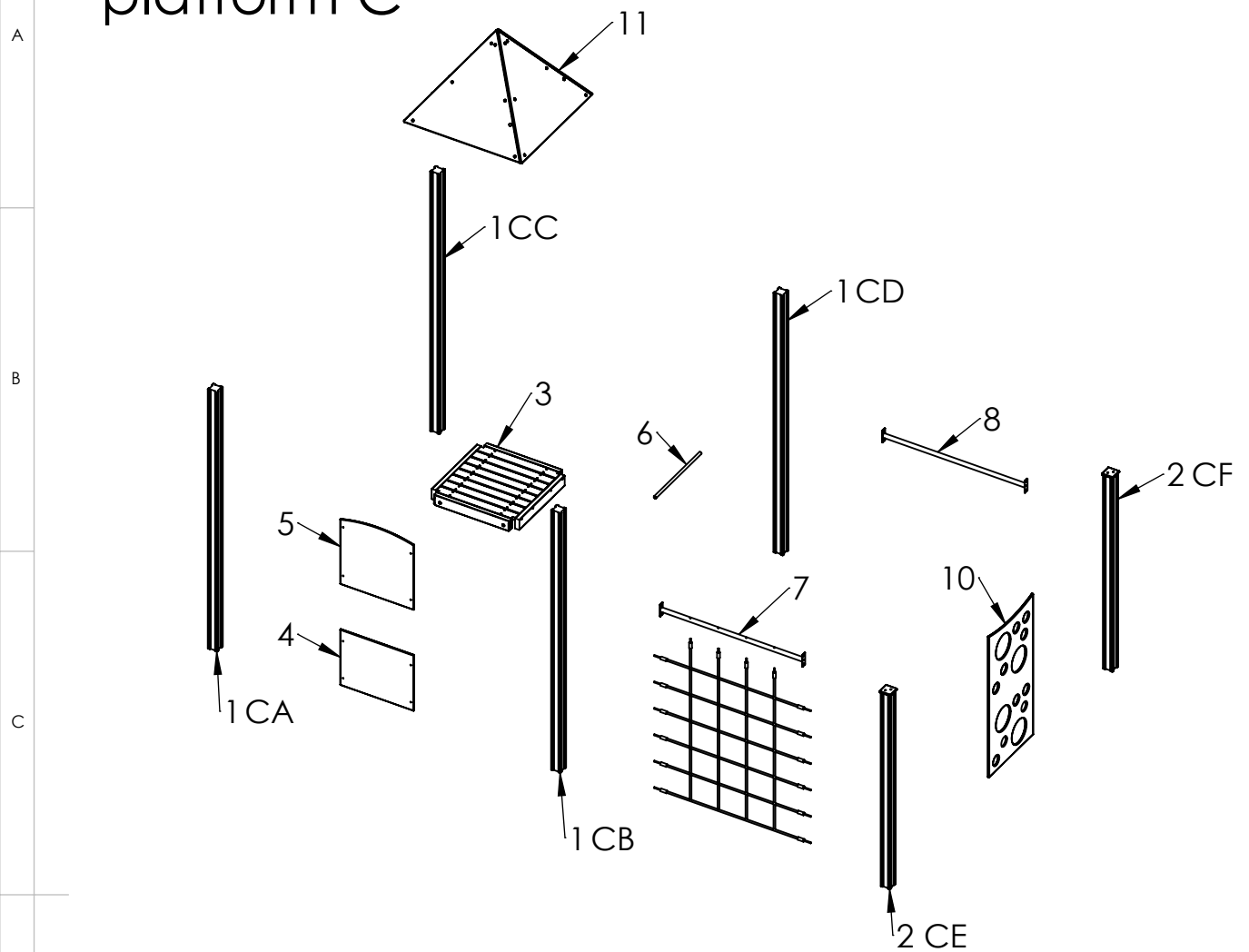
platform B



ITEM NO.	PART NUMBER	DESCRIPTION	QTY.
1	post 98x98x3200	laminated wood	4
2	platform	laminated wood, metal	1
3	panel 850x126	plywood	2
4	climbing pole	galvanized painted steel	1
5	guardrail ϕ 25x770	painted steel	4
6	guardrail d.40x770 with 2 holes	painted steel	1
7	roof	plywood	1

UNLESS OTHERWISE SPECIFIED: DIMENSIONS ARE IN MILLIMETERS WEIGHT ARE IN KILOGRAMM				PART NUMBER / DWG NO.:	
				LM310	
NAME	SIGNATURE	DATE	REVISION	DESCRIPTION:	
DRAWN	M.Rebase	29.08.2014		Play Centre ELISABETH	
APPV'D				MATERIAL:	A4
 Tiptaptap OÜ Tiptaptap OÜ Veetorni 9, Jüri alevik, Rae vald, 75301 Harjumaa				wood, metal, plastic	
				WEIGHT:	SCALE: 1:60

platform C



ITEM NO.	PART NUMBER	DESCRIPTION	QTY.
1	post 98x98x2800	laminated wood	4
2	post 98x98x2100	laminated wood	2
3	platform	laminated wood, metal	1
4	panel 750x600	plywood	1
5	panel 750x750	plywood	1
6	guardrail ϕ 25x770	painted steel	1
7	beam 40x1455 for net	painted steel	1
8	beam 40x1455	painted steel	1
9	climbing net	PP covered steel wire	1
10	climbing wall h_750x1520	plywood	1
11	roof	plywood	1

UNLESS OTHERWISE SPECIFIED:
DIMENSIONS ARE IN MILLIMETERS
WEIGHT ARE IN KILOGRAMM

PART NUMBER / DWG NO.:

LM310

	NAME	SIGNATURE	DATE	REVISION
DRAWN	M.Rebase		29.08.2014	
APPV'D				

DESCRIPTION:

Play Centre ELISABETH

MATERIAL:

wood, metal, plastic

A4

WEIGHT:

SCALE: 1:60

SHEET 9 OF 28



Tiptaptap OÜ

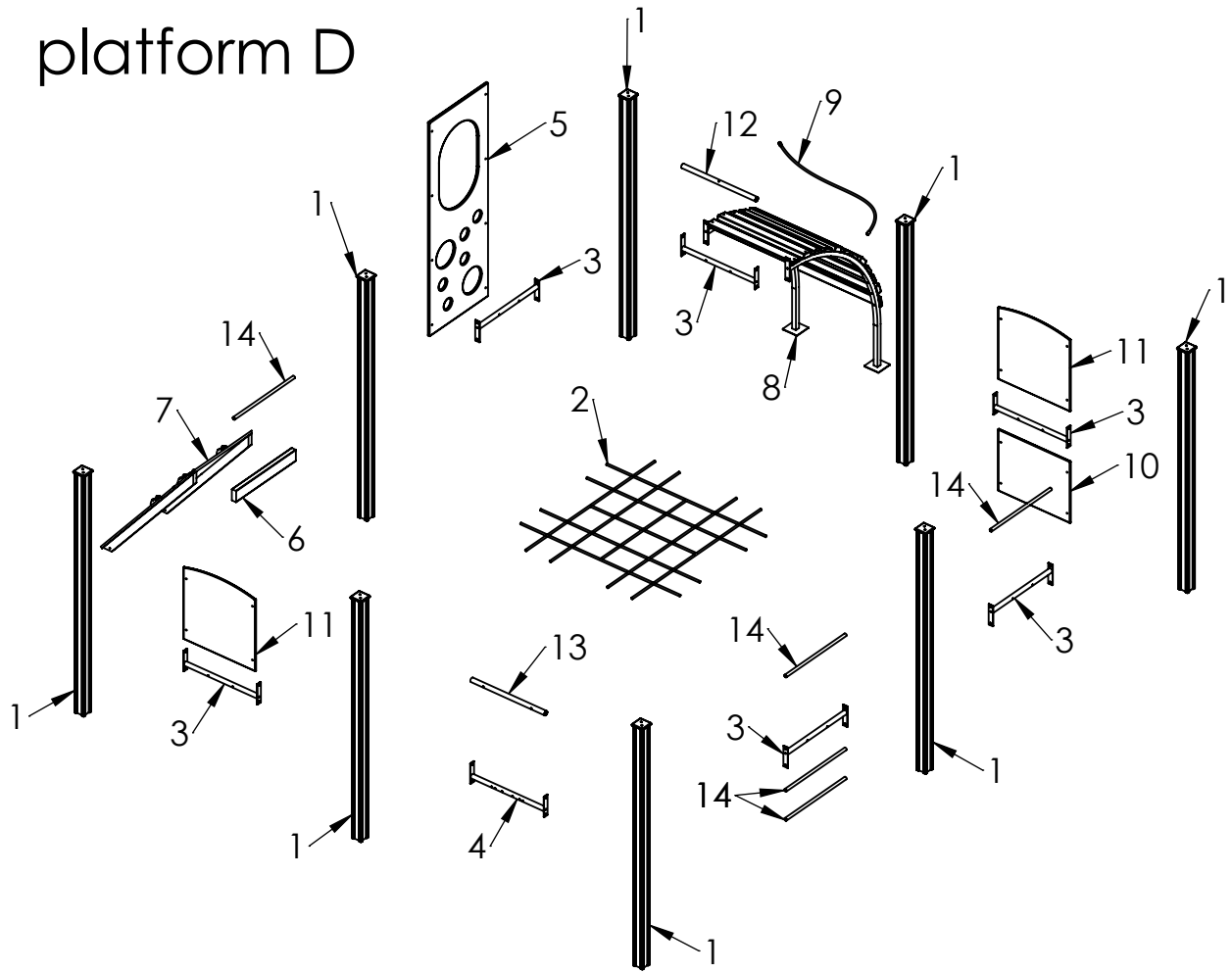
Tiptaptap OÜ
Veetorni 9,
Jüri alevik, Rae vald,
75301 Harjumaa

platform D

A

B

C



D

E

F

ITEM NO.	PART NUMBER	DESCRIPTION	QTY.
1	post 98x98x2350	laminated wood	8
2	net 1670x1670	PP covered steel wire	1
3	beam 40x770_2 holes	painted steel	6
4	beam 40x770_6 holes	painted steel	1
5	climbing wall	plywood	1
6	board 45x110x768	laminated wood	1
7	climbing ramp	plywood	1
8	curved ramp	wood, metal	1
9	rope d.16x1900	PP covered steel wire	1
10	panel 750x600	plywood	1
11	panel 750x750	plywood	2
12	guardrail d.40x770 with 1 hole	painted steel	1
13	guardrail d.40x770 with 2 holes	painted steel	1
14	guardrail ϕ 25x770	painted steel	5

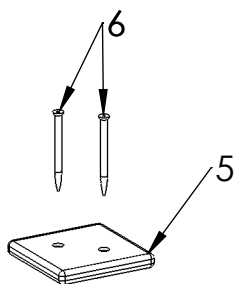
UNLESS OTHERWISE SPECIFIED: DIMENSIONS ARE IN MILLIMETERS WEIGHT ARE IN KILOGRAMM				PART NUMBER / DWG NO.:	
				LM310	
				DESCRIPTION:	
				Play Centre ELISABETH	
				MATERIAL:	
				wood, metal, plastic	
				A4	
				WEIGHT:	
				SCALE: 1:60	
				SHEET 10 OF 28	



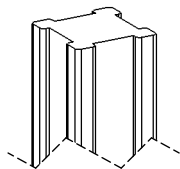
Tiptaptap OÜ

Tiptaptap OÜ
Veetorni 9,
Jüri alevik, Rae vald,
75301 Harjumaa

A

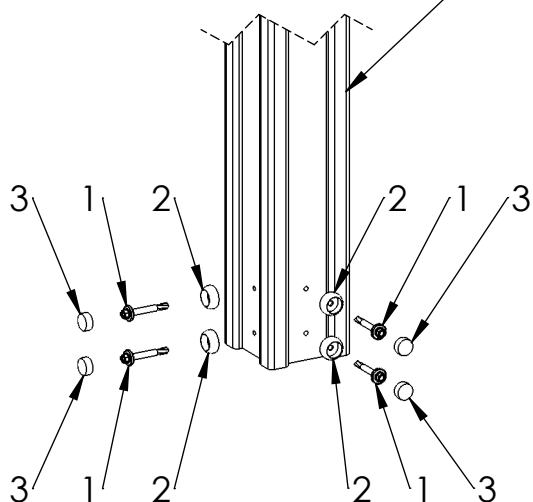


B

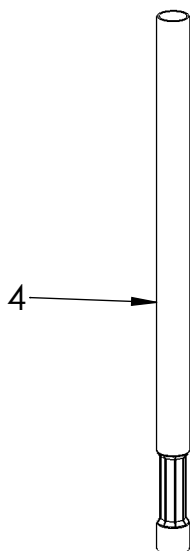


post

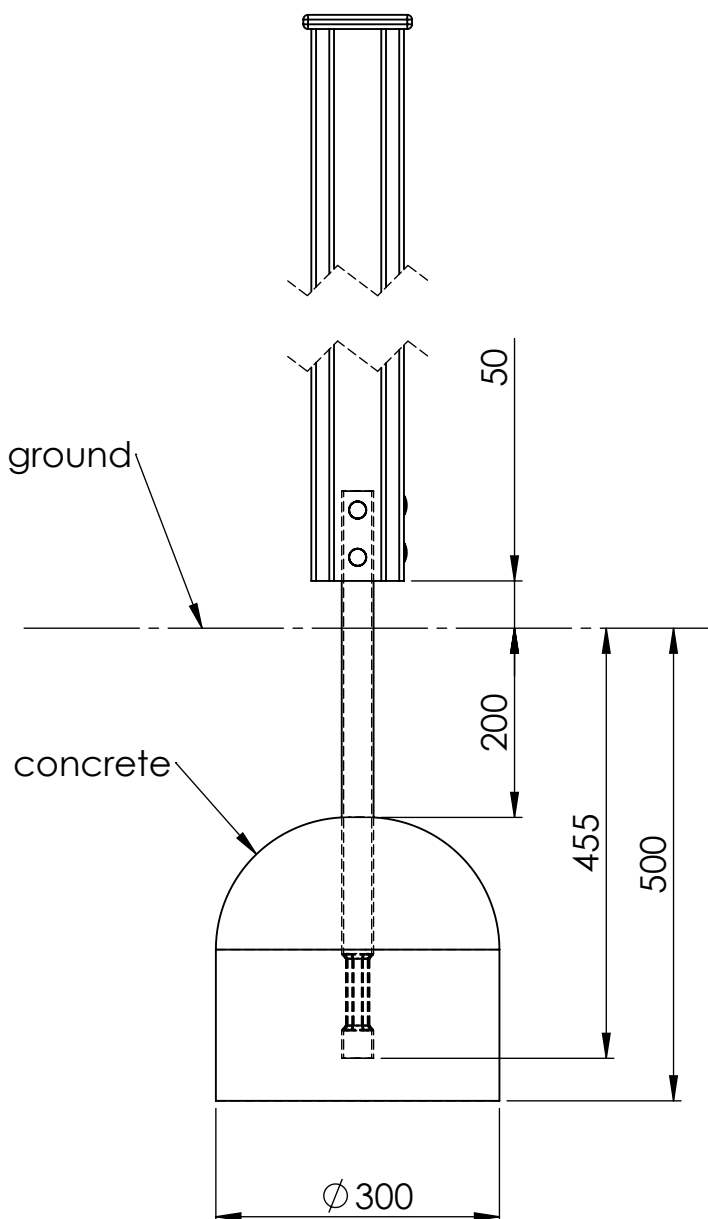
C



D



E



ITEM NO.	PART NUMBER
1	screw DIN7504K 5,5x50
2	nut cover M6
3	nut cover cap M6
4	metal ground fixing L_600
5	plastic cap 115x115
6	woodscrew 6 x 90

UNLESS OTHERWISE SPECIFIED:
DIMENSIONS ARE IN MILLIMETERS
WEIGHT ARE IN KILOGRAMM

PART NUMBER / DWG NO.:

LM310

NAME	SIGNATURE	DATE	REVISION
DRAWN	M.Rebase	29.08.2014	
APPV'D			

DESCRIPTION:

Play Centre ELISABETH
connecting metal ground fixing to post

F



Tiptiptap OÜ

Tiptiptap OÜ
Veetorni 9,
Jüri alevik, Rae vald,
75301 Harjumaa

MATERIAL:

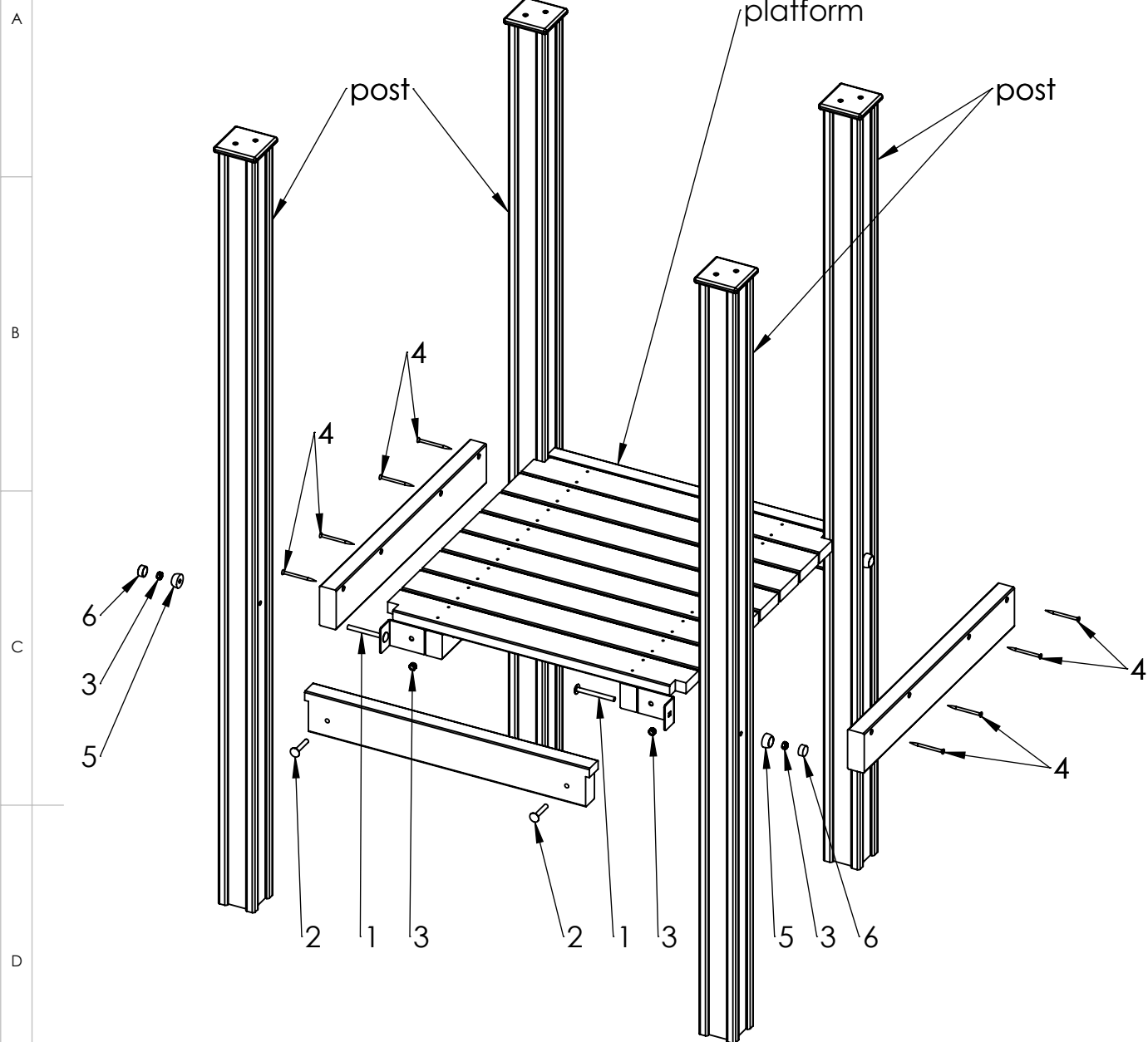
wood, metal, plastic

A4

WEIGHT:

SCALE: 1:8

SHEET 11 OF 28



E

ITEM NO.	PART NUMBER
1	bolt DIN603 M10x100
2	bolt DIN603 M10x60
3	nut DIN985 M10
4	woodscrew 6 x 90
5	nut cover M10
6	nut cover cap M10

F

UNLESS OTHERWISE SPECIFIED:
DIMENSIONS ARE IN MILLIMETERS
WEIGHT ARE IN KILOGRAMM

	NAME	SIGNATURE	DATE	REVISION
DRAWN	M.Rebase		29.08.2014	
APPV'D				

PART NUMBER / DWG NO.:

LM310

DESCRIPTION:

Play Centre ELISABETH
connecting platform to post

MATERIAL:

wood, metal, plastic

A4

WEIGHT:

SCALE: 1:15

SHEET 12 OF 28



Tiptaptap OÜ

Tiptaptap OÜ
Veetorni 9,
Jüri alevik, Rae vald,
75301 Harjumaa

A

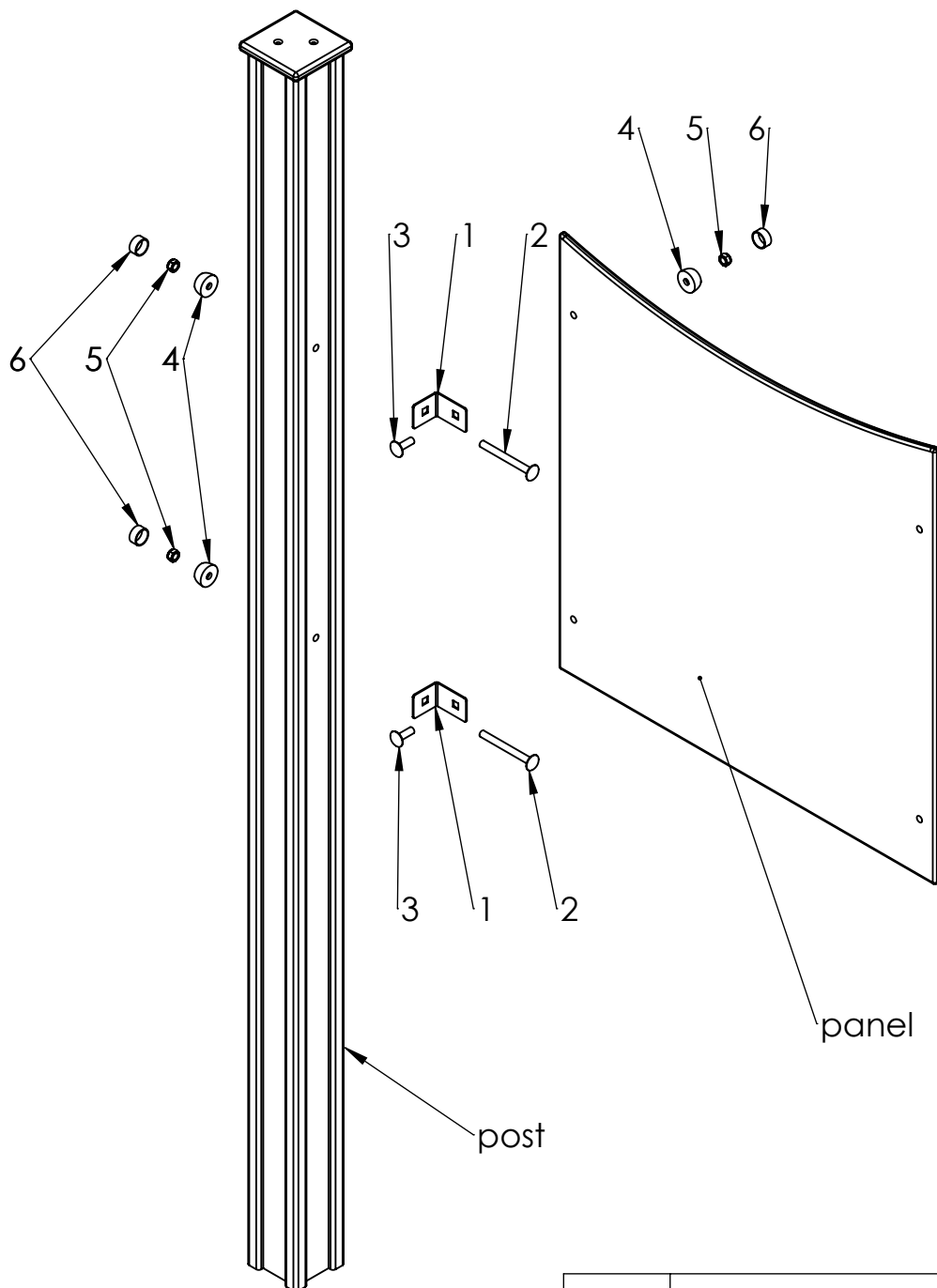
B

C

D

E

F



ITEM NO.	PART NUMBER
1	corner 48x60
2	bolt DIN603 M10x100
3	bolt DIN603 M10x30
4	nut cover M10
5	nut DIN985 M10
6	nut cover cap M10

UNLESS OTHERWISE SPECIFIED:
DIMENSIONS ARE IN MILLIMETERS
WEIGHT ARE IN KILOGRAMM

PART NUMBER / DWG NO.:

LM310

	NAME	SIGNATURE	DATE	REVISION
DRAWN	M.Rebase		29.08.2014	
APPV'D				

DESCRIPTION:

Play Centre ELISABETH
connecting panel to post

MATERIAL:

wood, metal, plastic

A4

WEIGHT:

SCALE: 1:10

SHEET 13 OF 28



Tiptap OÜ

Tiptap OÜ
Veetorni 9,
Jüri alevik, Rae vald,
75301 Harjumaa

A

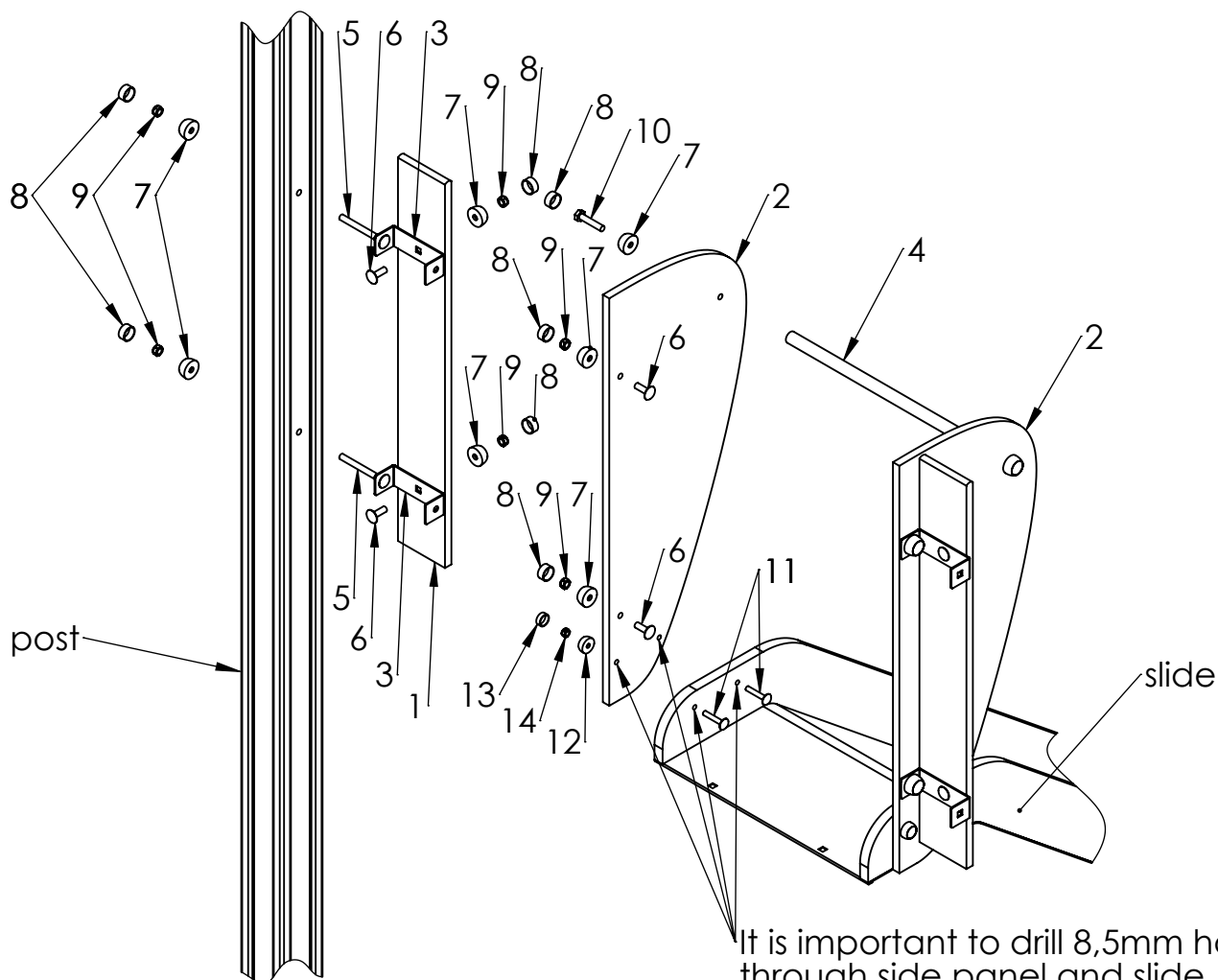
B

C

D

E

F



It is important to drill 8,5mm holes through side panel and slide.

ITEM NO.	PART NUMBER
1	side panel 110x780
2	slide side panel
3	slide side panel fixing 40x120
4	slide guardrail
5	bolt DIN603 M10x100
6	bolt DIN603 M10x30
7	nut cover M10
8	nut cover cap M10
9	nut DIN985 M10
10	bolt DIN931 M10x50
11	bolt DIN603 M8x45
12	nut cover M8
13	nut cover cap M8
14	nut DIN985 M8

UNLESS OTHERWISE SPECIFIED:
DIMENSIONS ARE IN MILLIMETERS
WEIGHT ARE IN KILOGRAMM

PART NUMBER / DWG NO.:

LM310

	NAME	SIGNATURE	DATE	REVISION
DRAWN	M.Rebase		29.08.2014	
APPV'D				

DESCRIPTION:

Play Centre ELISABETH
connecting slide guard block to post



Tiptap OÜ

Tiptap OÜ
Veetorni 9,
Jüri alevik, Rae vald,
75301 Harjumaa

MATERIAL:

wood, metal, plastic

A4

WEIGHT:

SCALE: 1:12

SHEET 14 OF 28

A

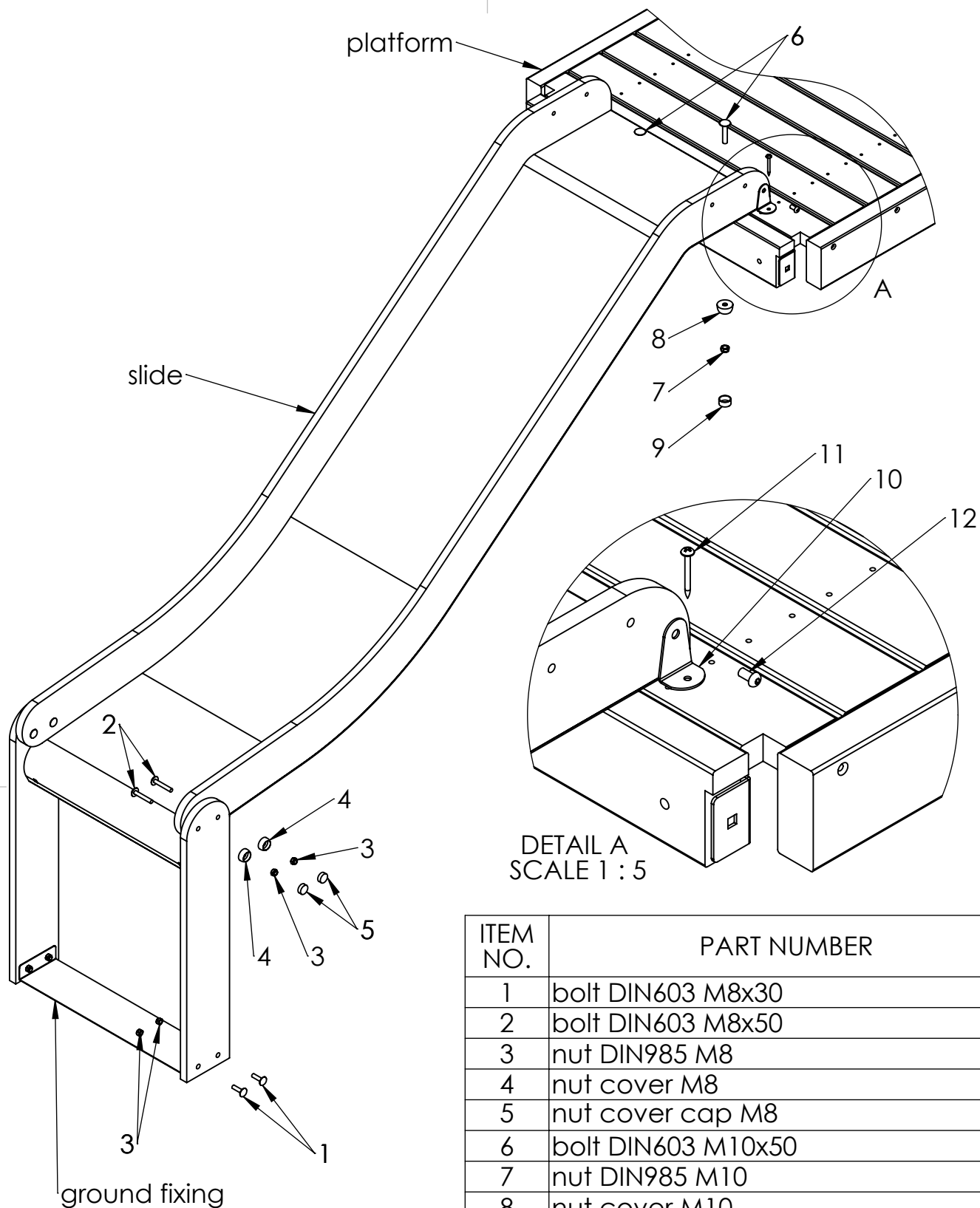
B

C

D

E

F



ITEM NO.	PART NUMBER
1	bolt DIN603 M8x30
2	bolt DIN603 M8x50
3	nut DIN985 M8
4	nut cover M8
5	nut cover cap M8
6	bolt DIN603 M10x50
7	nut DIN985 M10
8	nut cover M10
9	nut cover cap M10
10	corner 58x30
11	screw DIN 7996 d.6x50
12	metal screw DIN 7380 M8x16

UNLESS OTHERWISE SPECIFIED:
DIMENSIONS ARE IN MILLIMETERS
WEIGHT ARE IN KILOGRAMM

	NAME	SIGNATURE	DATE	REVISION
DRAWN	M.Rebase		29.08.2014	
APPV'D				

PART NUMBER / DWG NO.:

LM310

DESCRIPTION:

Play Centre ELISABETH
connecting slide to platform

MATERIAL:

wood, metal, plastic

A4

WEIGHT:

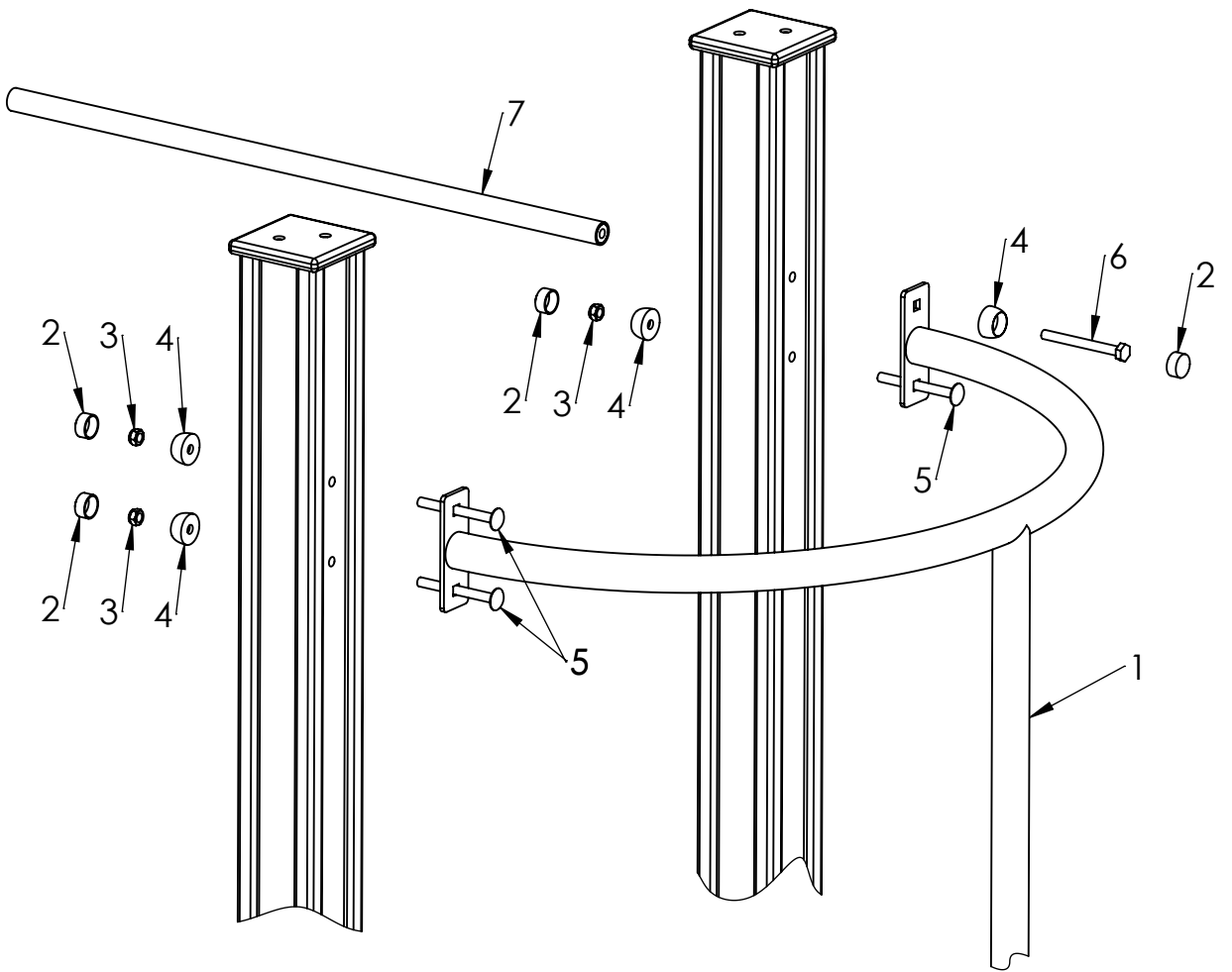
SCALE: 1:12

SHEET 15 OF 28



Tiptap OÜ

Tiptap OÜ
Veetorni 9,
Jüri alevik, Rae vald,
75301 Harjumaa



ITEM NO.	PART NUMBER
1	climbing pole
2	nut cover cap M10
3	nut DIN985 M10
4	nut cover M10
5	bolt DIN603 M10x100
6	bolt DIN931 M10x100
7	guardrail \varnothing 25x770

UNLESS OTHERWISE SPECIFIED:
DIMENSIONS ARE IN MILLIMETERS
WEIGHT ARE IN KILOGRAMM

PART NUMBER / DWG NO.:

LM310

	NAME	SIGNATURE	DATE	REVISION
DRAWN	M.Rebase		29.08.2014	
APPV'D				

DESCRIPTION:

Play Centre ELISABETH
connecting climbing pole and guardrail to post

MATERIAL:

wood, metal, plastic

A4

WEIGHT:

SCALE: 1:8

SHEET 16 OF 28



Tiptap OÜ

Tiptap OÜ
Veetorni 9,
Jüri alevik, Rae vald,
75301 Harjumaa

A

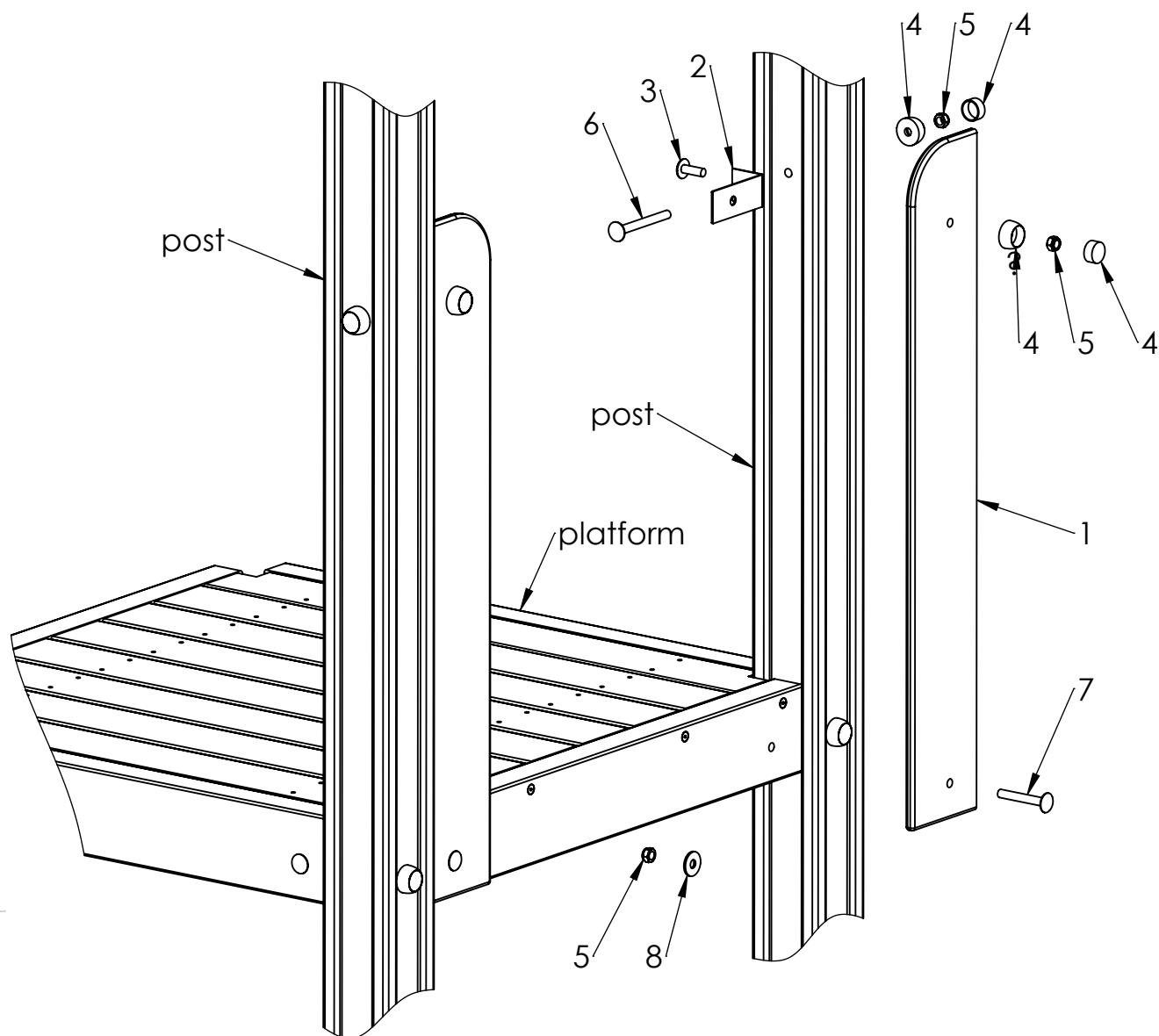
B

C

D

E

F



ITEM NO.	PART NUMBER
1	panel 850x126
2	Liurenni kinnitus
3	bolt DIN603 M10x30
4	nut cover with cap
5	nut DIN985 M10
6	bolt DIN603 M10x100
7	bolt DIN603 M10x70
8	washer M10

UNLESS OTHERWISE SPECIFIED:
DIMENSIONS ARE IN MILLIMETERS
WEIGHT ARE IN KILOGRAMM

	NAME	SIGNATURE	DATE	REVISION
DRAWN	M.Rebase		29.08.2014	
APPV'D				

PART NUMBER / DWG NO.:

LM310

DESCRIPTION:

Play Centre ELISABETH
connecting climbing pole side panel to post

MATERIAL:

wood, metal, plastic

A4

WEIGHT:

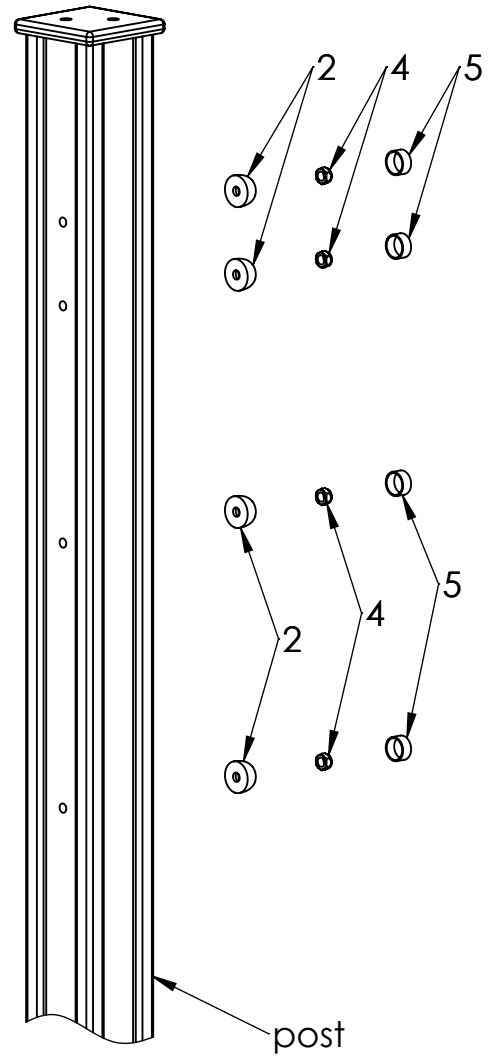
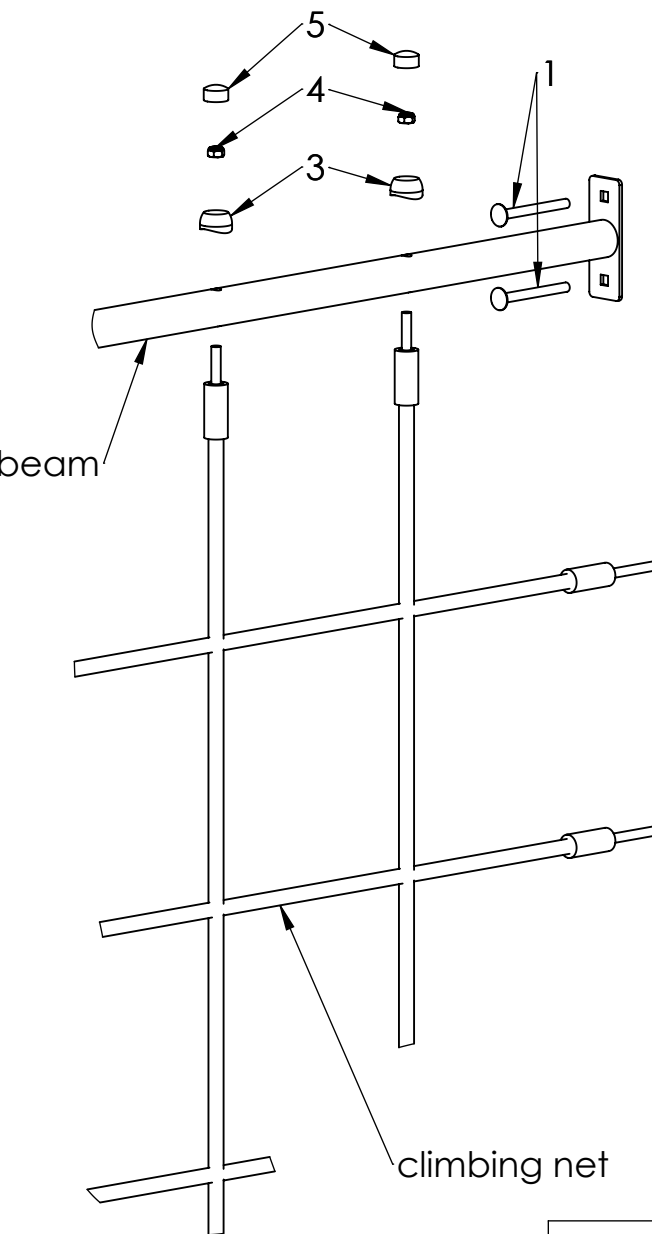
SCALE: 1:8

SHEET 17 OF 28



Tiptap OÜ

Tiptap OÜ
Veetorni 9,
Jüri alevik, Rae vald,
75301 Harjumaa



ITEM NO.	PART NUMBER
1	bolt DIN603 M10x100
2	nut cover M10
3	nut cover for beam M10
4	nut DIN985 M10
5	nut cover cap M10
6	beam 40x1455 for net

UNLESS OTHERWISE SPECIFIED:
DIMENSIONS ARE IN MILLIMETERS
WEIGHT ARE IN KILOGRAMM

PART NUMBER / DWG NO.:

LM310

	NAME	SIGNATURE	DATE	REVISION
DRAWN	M.Rebase		29.08.2014	
APPV'D				

DESCRIPTION:

Play Centre ELISABETH
connecting beam and climbing net to post

MATERIAL:

wood, metal, plastic

A4

WEIGHT:

SCALE: 1:8

SHEET 18 OF 28



Tiptaptap OÜ

Tiptaptap OÜ
Veetorni 9,
Jüri alevik, Rae vald,
75301 Harjumaa

A

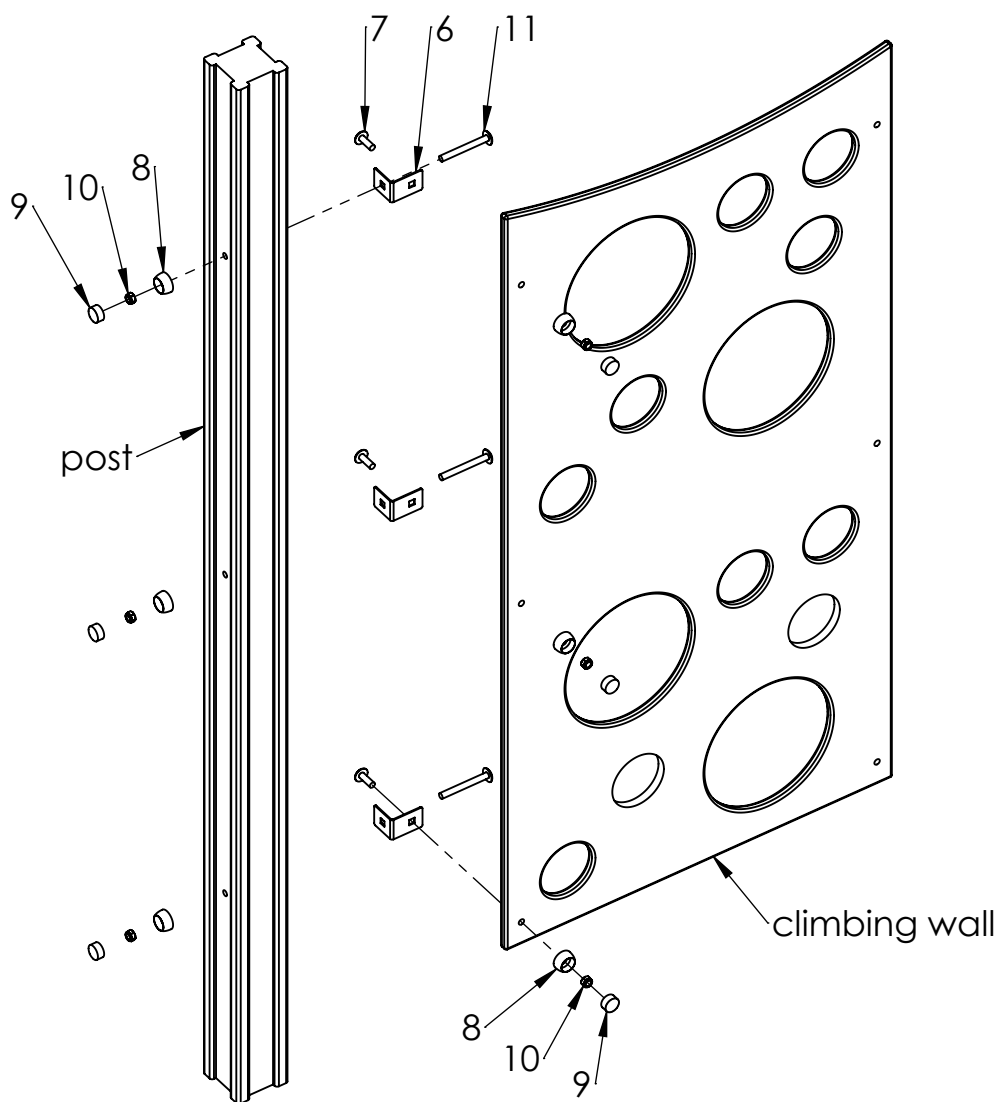
B

C

D

E

F



ITEM NO.	PART NUMBER
1	corner 48x60
2	bolt DIN603 M10x30
3	bolt DIN603 M10x90
4	nut cover M10
5	nut DIN985 M10
6	nut cover cap M10

UNLESS OTHERWISE SPECIFIED:
DIMENSIONS ARE IN MILLIMETERS
WEIGHT ARE IN KILOGRAMM

PART NUMBER / DWG NO.:

LM310

	NAME	SIGNATURE	DATE	REVISION
DRAWN	M.Rebase		29.08.2014	
APPV'D				

DESCRIPTION:

Play Centre ELISABETH
connecting climbing wall to post

MATERIAL:

wood, metal, plastic

A4

WEIGHT:

SCALE: 1:12

SHEET 19 OF 28



Tiptap OÜ

Tiptap OÜ
Veetorni 9,
Jüri alevik, Rae vald,
75301 Harjumaa

1

2

3

4

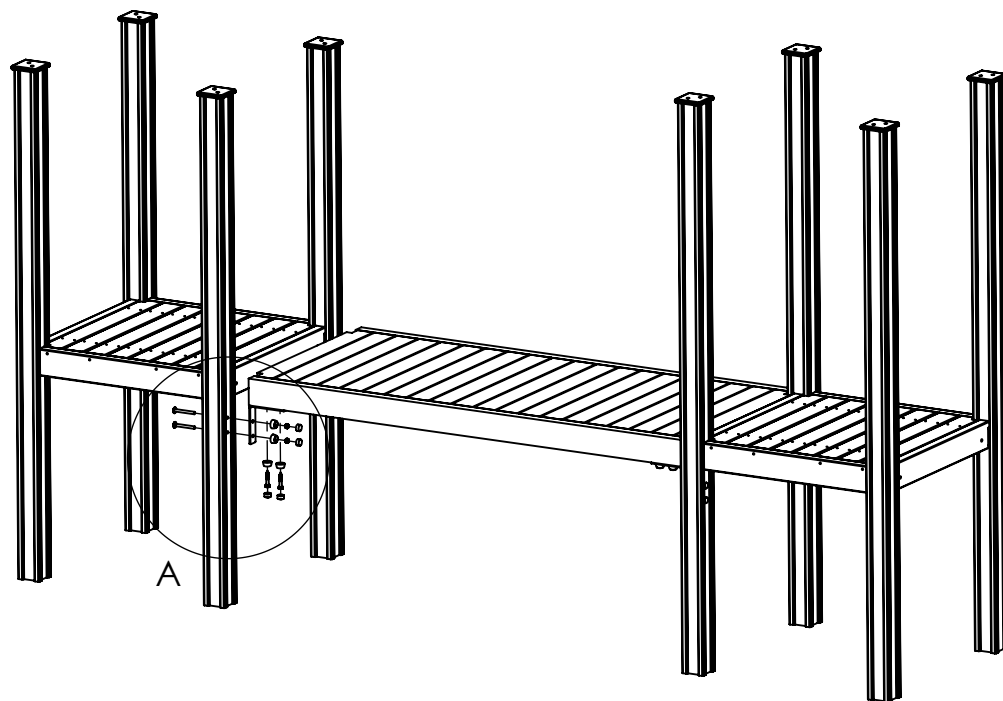
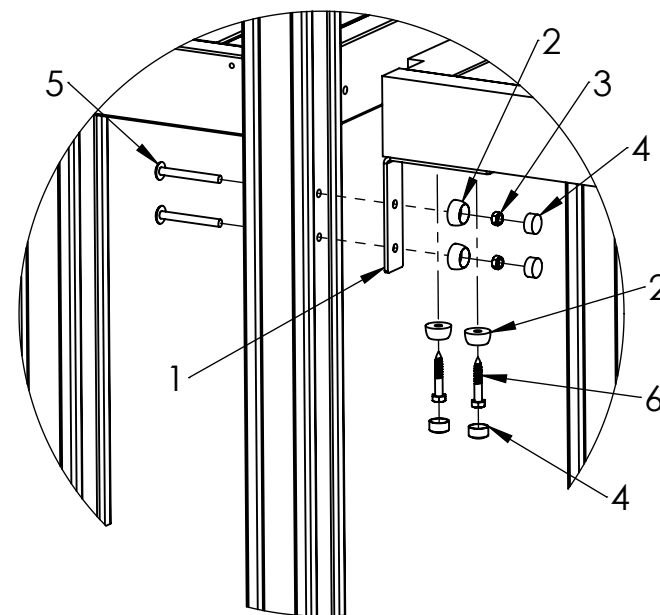
5

6

ITEM
NO.

PART NUMBER

1	corner 160x160x45
2	nut cover M10
3	nut DIN985 M10
4	nut cover cap M10
5	bolt DIN603 M10x90
6	wood screw DIN571 10x60

DETAIL A
SCALE 1 : 10UNLESS OTHERWISE SPECIFIED:
DIMENSIONS ARE IN MILLIMETERS
WEIGHT ARE IN KILOGRAMM

PART NUMBER / DWG NO.:

LM310

	NAME	SIGNATURE	DATE	REVISION
DRAWN	M.Rebase		29.08.2014	
APPV'D				

DESCRIPTION:

Play Centre ELISABETH
connecting bridge to post

MATERIAL:

wood, metal, plastic

A4

WEIGHT:

SCALE: 1:30

SHEET 20 OF 28



Tiptap OÜ

Tiptap OÜ
Veetorni 9,
Jüri alevik, Rae vald,
75301 Harjumaa

A

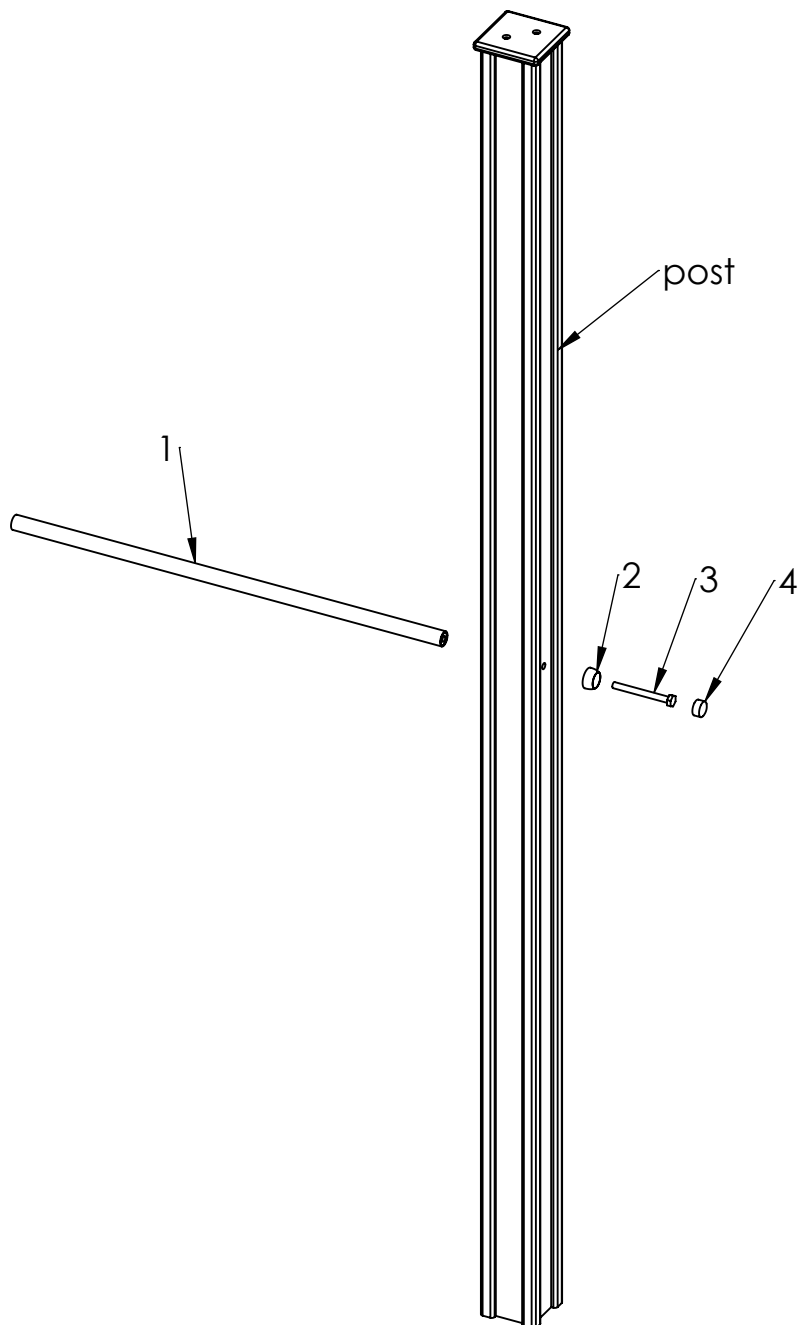
B

C

D

E

F



ITEM NO.	PART NUMBER
1	guardrail ϕ 25x770
2	nut cover M10
3	bolt DIN931 M10x100
4	nut cover cap M10

UNLESS OTHERWISE SPECIFIED:
DIMENSIONS ARE IN MILLIMETERS
WEIGHT ARE IN KILOGRAMM

	NAME	SIGNATURE	DATE	REVISION
DRAWN	M.Rebase		29.08.2014	
APPV'D				

PART NUMBER / DWG NO.:

LM310
connecting guardrail to post

DESCRIPTION:

Play Centre ELISABETH

MATERIAL:

wood, metal, plastic

A4

WEIGHT:

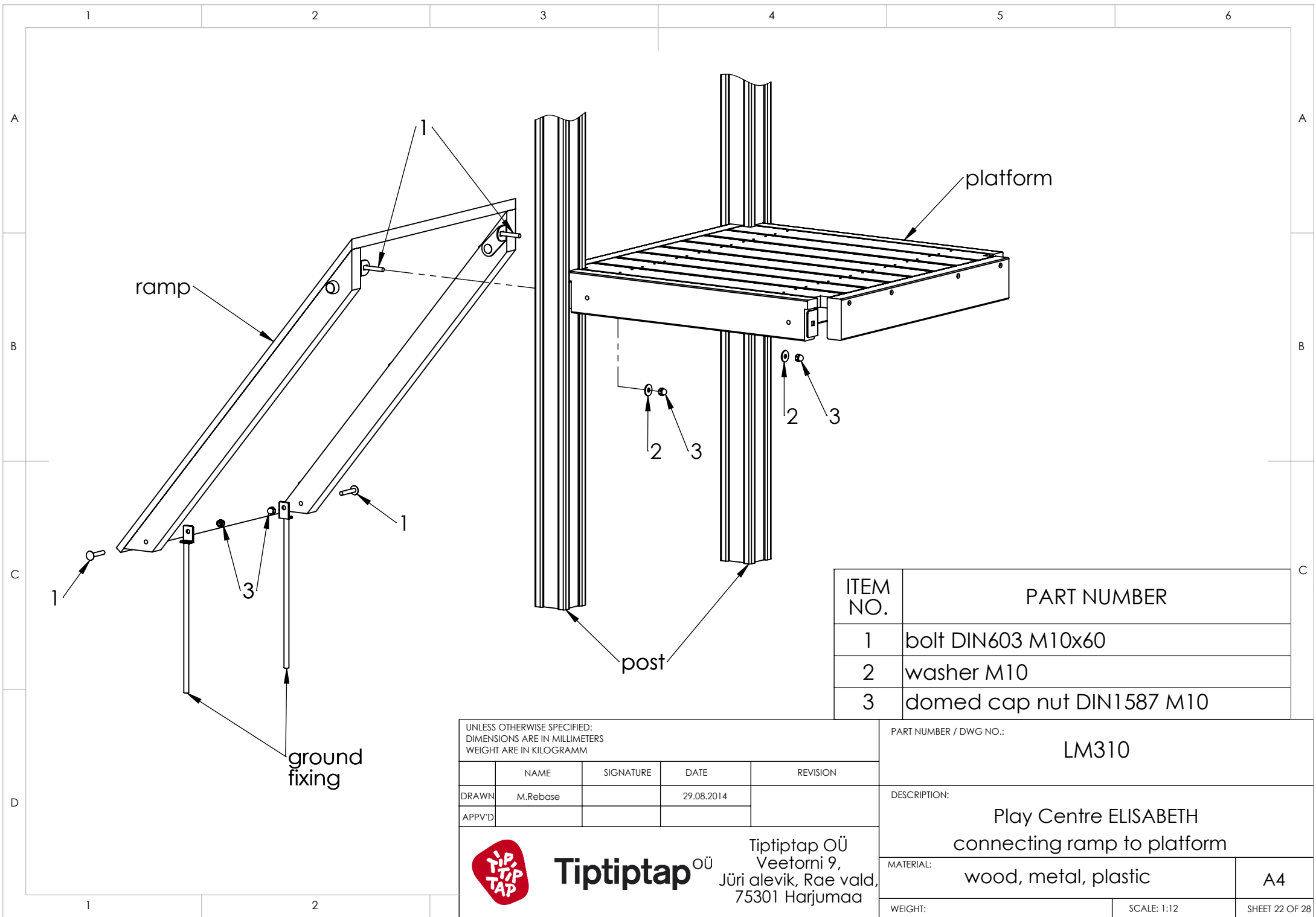
SCALE: 1:12

SHEET 21 OF 28



Tiptap OÜ

Tiptap OÜ
Veetorni 9,
Jüri alevik, Rae vald,
75301 Harjumaa



ITEM NO.	PART NUMBER
1	bolt DIN603 M10x60
2	washer M10
3	domed cap nut DIN1587 M10

UNLESS OTHERWISE SPECIFIED:
 DIMENSIONS ARE IN MILLIMETERS
 WEIGHT ARE IN KILOGRAMM

	NAME	SIGNATURE	DATE	REVISION
DRAWN	M.Rebase		29.08.2014	
APPV'D				

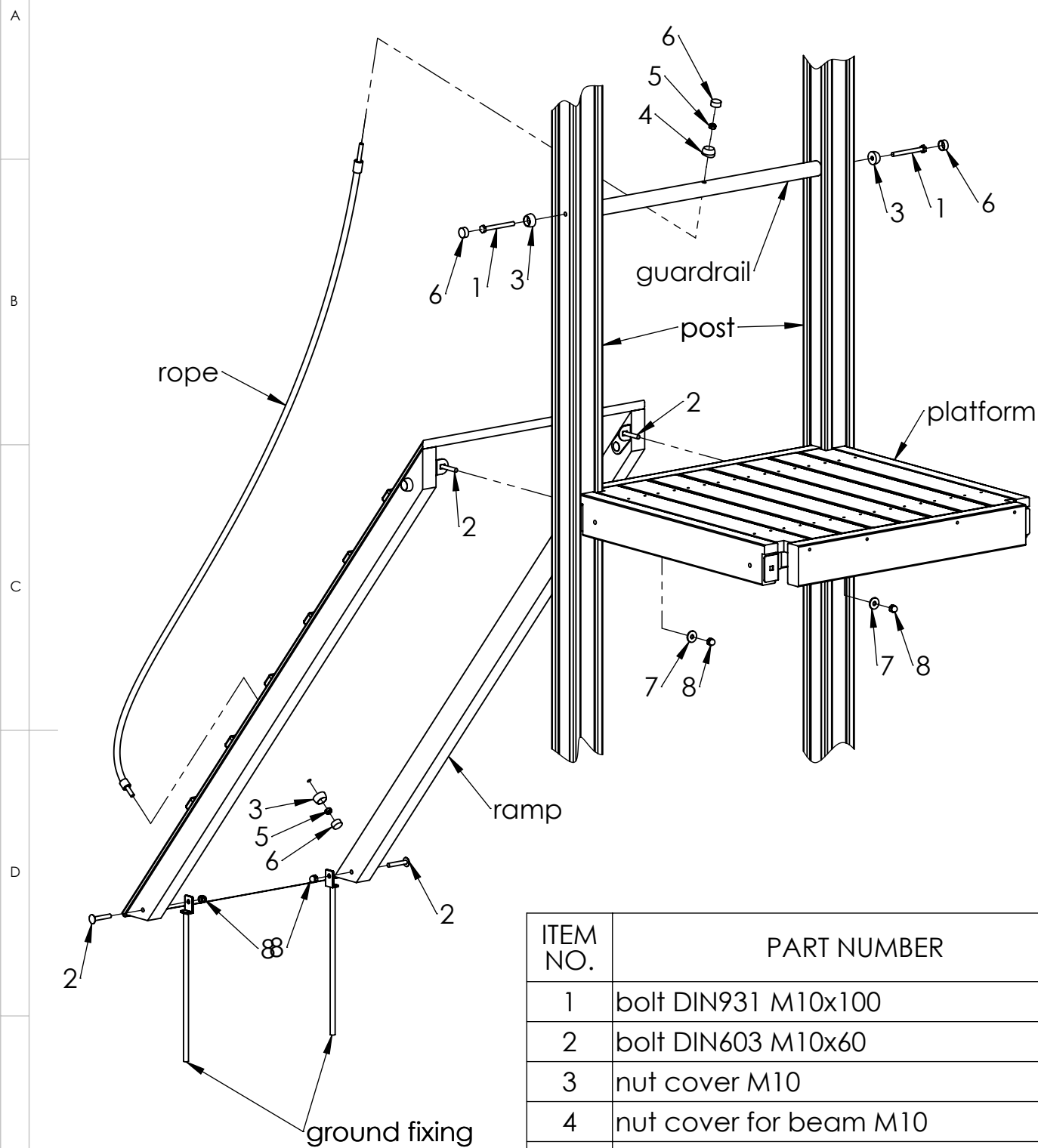

Tiptap OÜ
 Tiptap OÜ
 Veetorni 9,
 Jüri alevik, Rae vald,
 75301 Harjumaa

PART NUMBER / DWG NO.: **LM310**

DESCRIPTION:
**Play Centre ELISABETH
 connecting ramp to platform**

MATERIAL: **wood, metal, plastic**

WEIGHT: SCALE: 1:12 SHEET 22 OF 28



ITEM NO.	PART NUMBER
1	bolt DIN931 M10x100
2	bolt DIN603 M10x60
3	nut cover M10
4	nut cover for beam M10
5	nut DIN985 M10
6	nut cover cap M10
7	washer M10
8	domed cap nut DIN1587 M10

UNLESS OTHERWISE SPECIFIED:
DIMENSIONS ARE IN MILLIMETERS
WEIGHT ARE IN KILOGRAMM

PART NUMBER / DWG NO.:

LM310

	NAME	SIGNATURE	DATE	REVISION
DRAWN	M.Rebase		29.08.2014	
APPV'D				

DESCRIPTION:

Play Centre ELISABETH
connecting ramp with rope to platform

MATERIAL:

wood, metal, plastic

A4

WEIGHT:

SCALE: 1:15

SHEET 23 OF 28



Tiptaptap OÜ

Tiptaptap OÜ
Veetorni 9,
Jüri alevik, Rae vald,
75301 Harjumaa

A

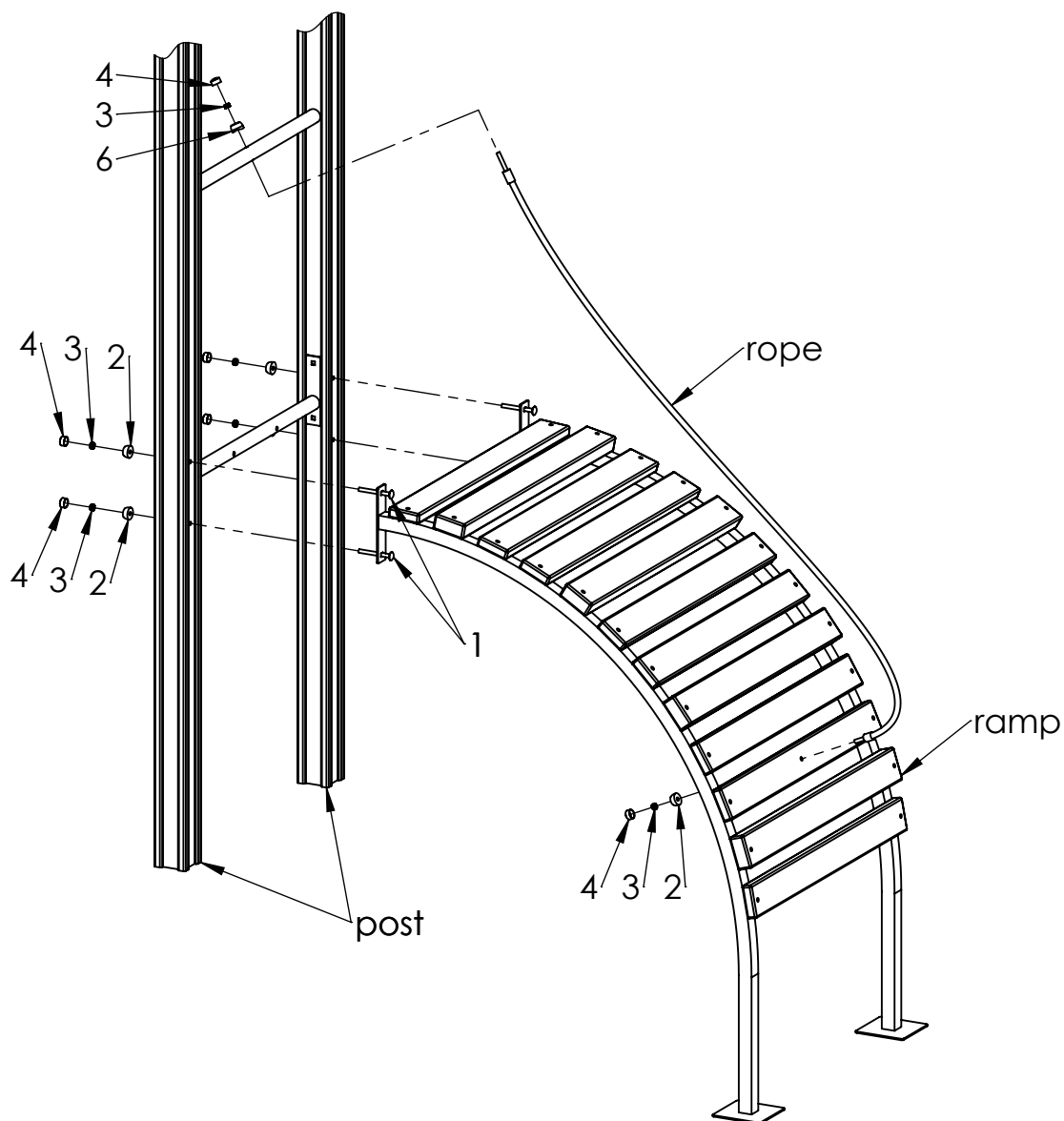
B

C

D

E

F



ITEM NO.	PART NUMBER
1	bolt DIN603 M10x100
2	nut cover M10
3	nut DIN985 M10
4	nut cover cap M10
5	guardrail d.40x770 with 1 hole
6	nut cover for beam M10

UNLESS OTHERWISE SPECIFIED:
DIMENSIONS ARE IN MILLIMETERS
WEIGHT ARE IN KILOGRAMM

PART NUMBER / DWG NO.:

LM310

	NAME	SIGNATURE	DATE	REVISION
DRAWN	M.Rebase		29.08.2014	
APPV'D				

DESCRIPTION:

Play Centre ELISABETH
connecting ramp to post

MATERIAL:

wood, metal, plastic

A4

WEIGHT:

SCALE: 1:20

SHEET 24 OF 28



Tiptaptap OÜ

Tiptaptap OÜ
Veetorni 9,
Jüri alevik, Rae vald,
75301 Harjumaa

A

B

C

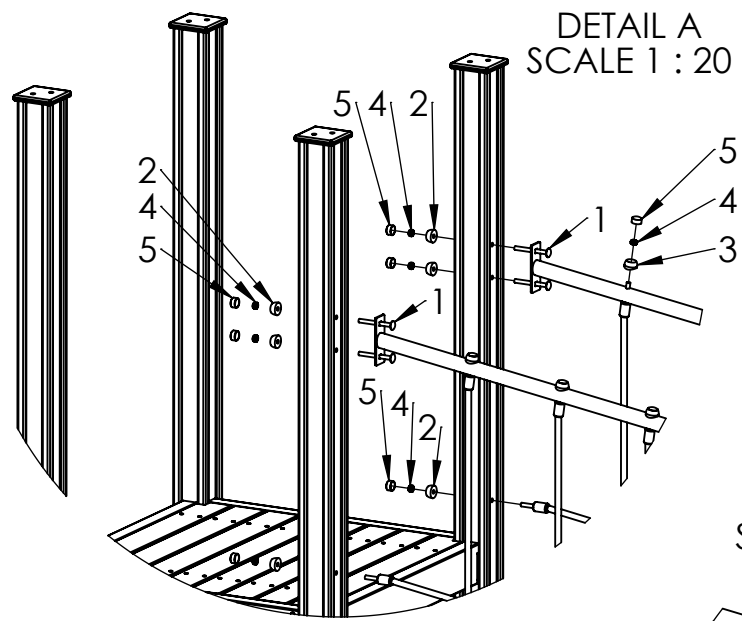
D

A

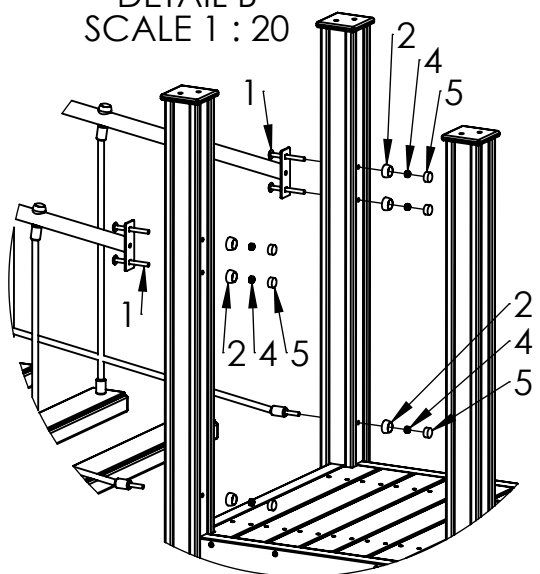
B

C

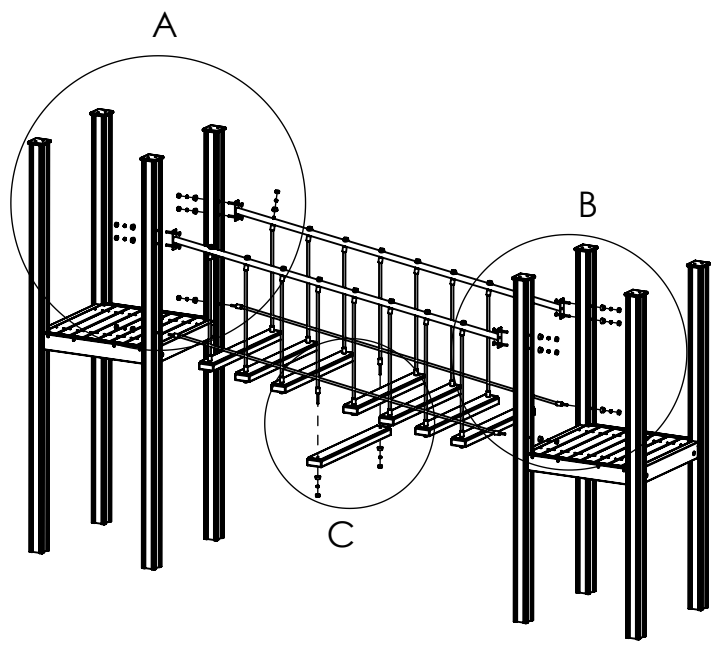
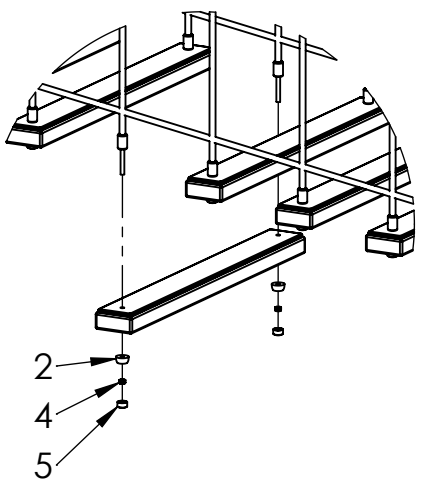
DETAIL A
SCALE 1 : 20



DETAIL B
SCALE 1 : 20



DETAIL C
SCALE 1 : 20



ITEM NO.	PART NUMBER
1	bolt DIN603 M10x100
2	nut cover M10
3	nut cover for beam M10
4	nut DIN985 M10
5	nut cover cap M10

UNLESS OTHERWISE SPECIFIED:
DIMENSIONS ARE IN MILLIMETERS
WEIGHT ARE IN KILOGRAMM

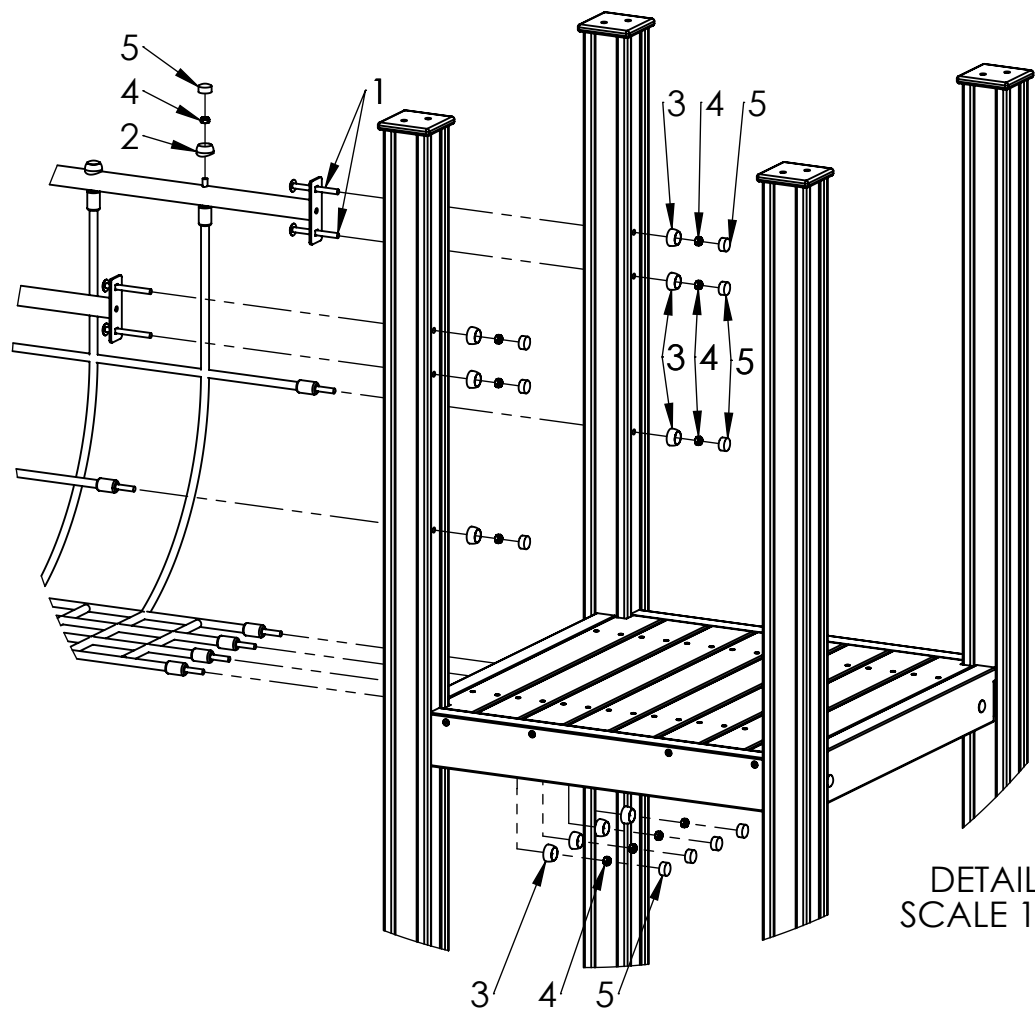
	NAME	SIGNATURE	DATE	REVISION
DRAWN	M.Rebase		29.08.2014	
APPV'D				

PART NUMBER / DWG NO.:
LM310

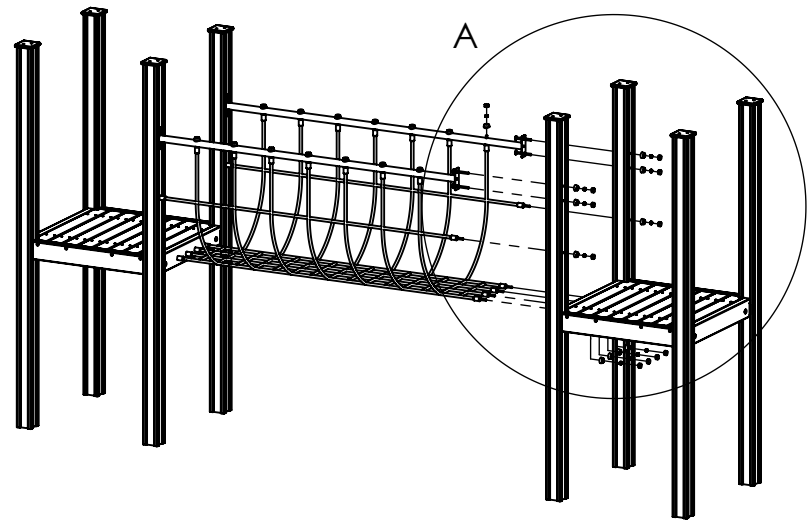
DESCRIPTION:
Play Centre ELISABETH

 **Tiptap** OÜ
Tiptap OÜ
Veetorni 9,
Jüri alevik, Rae vald,
75301 Harjumaa

MATERIAL:	wood, metal, plastic	A4
WEIGHT:	SCALE: 1:50	SHEET 25 OF 28



DETAIL A
SCALE 1 : 15



ITEM NO.	PART NUMBER
1	bolt DIN603 M10x100
2	nut cover for beam M10
3	nut cover M10
4	nut DIN985 M10
5	nut cover cap M10

UNLESS OTHERWISE SPECIFIED:
DIMENSIONS ARE IN MILLIMETERS
WEIGHT ARE IN KILOGRAMM

	NAME	SIGNATURE	DATE	REVISION
DRAWN	M.Rebase		29.08.2014	
APPV'D				

Tiptiptap OÜ
Tiptiptap OÜ
Veetorni 9,
Jüri alevik, Rae vald,
75301 Harjumaa

PART NUMBER / DWG NO.:		LM310	
DESCRIPTION:			
Play Centre ELISABETH connecting bridge to post and platform			
MATERIAL:		wood, metal, plastic	A4
WEIGHT:		SCALE: 1:45	SHEET 26 OF 28

A

B

C

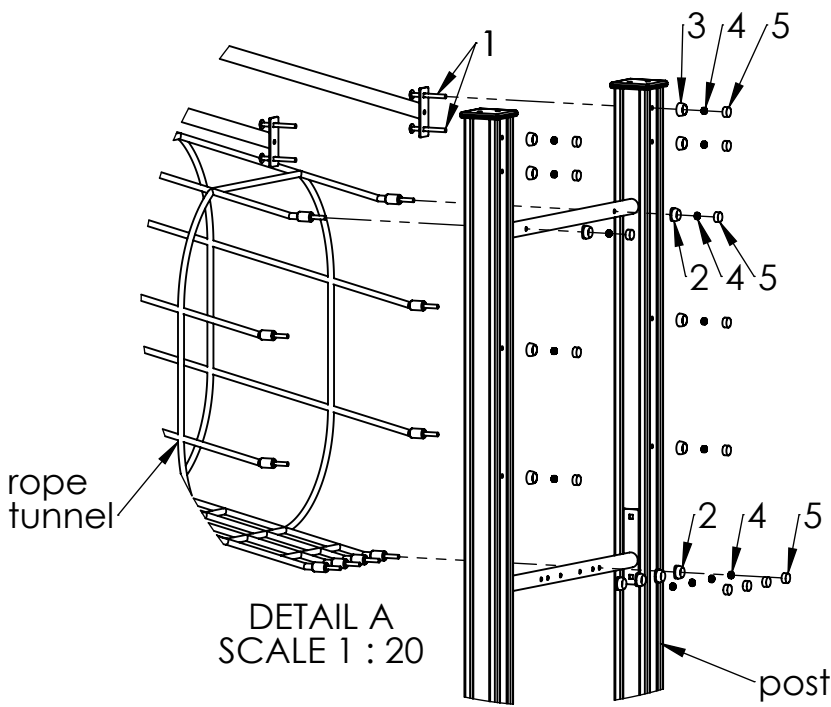
D

A

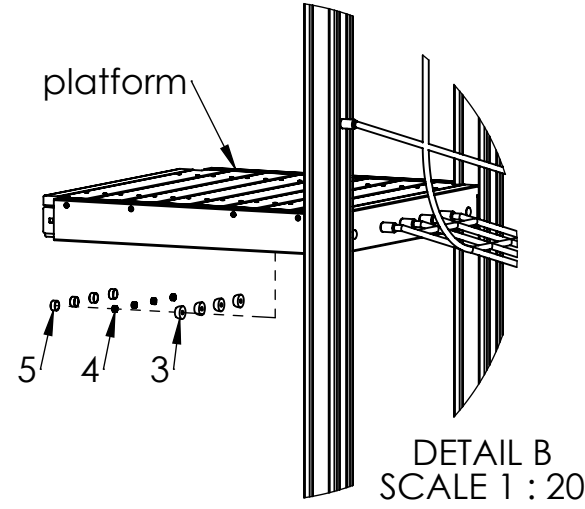
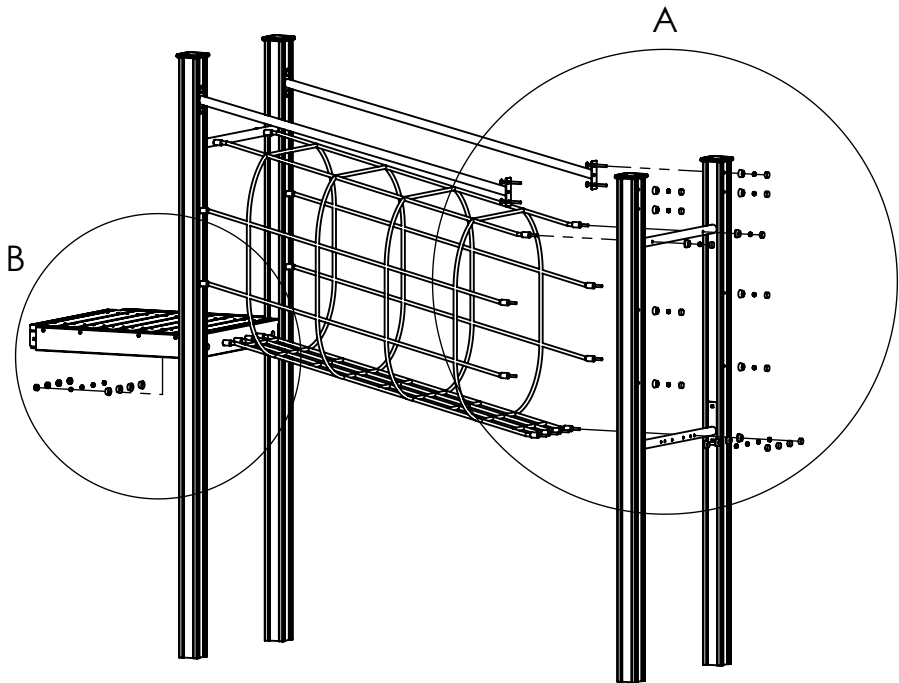
B

C

D



DETAIL A
SCALE 1 : 20



DETAIL B
SCALE 1 : 20

ITEM NO.	PART NUMBER
1	bolt DIN603 M10x100
2	nut cover for beam M10
3	nut cover M10
4	nut DIN985 M10
5	nut cover cap M10

UNLESS OTHERWISE SPECIFIED:
DIMENSIONS ARE IN MILLIMETERS
WEIGHT ARE IN KILOGRAMM

	NAME	SIGNATURE	DATE	REVISION
DRAWN	M.Rebase		29.08.2014	
APPV'D				

PART NUMBER / DWG NO.:
LM310

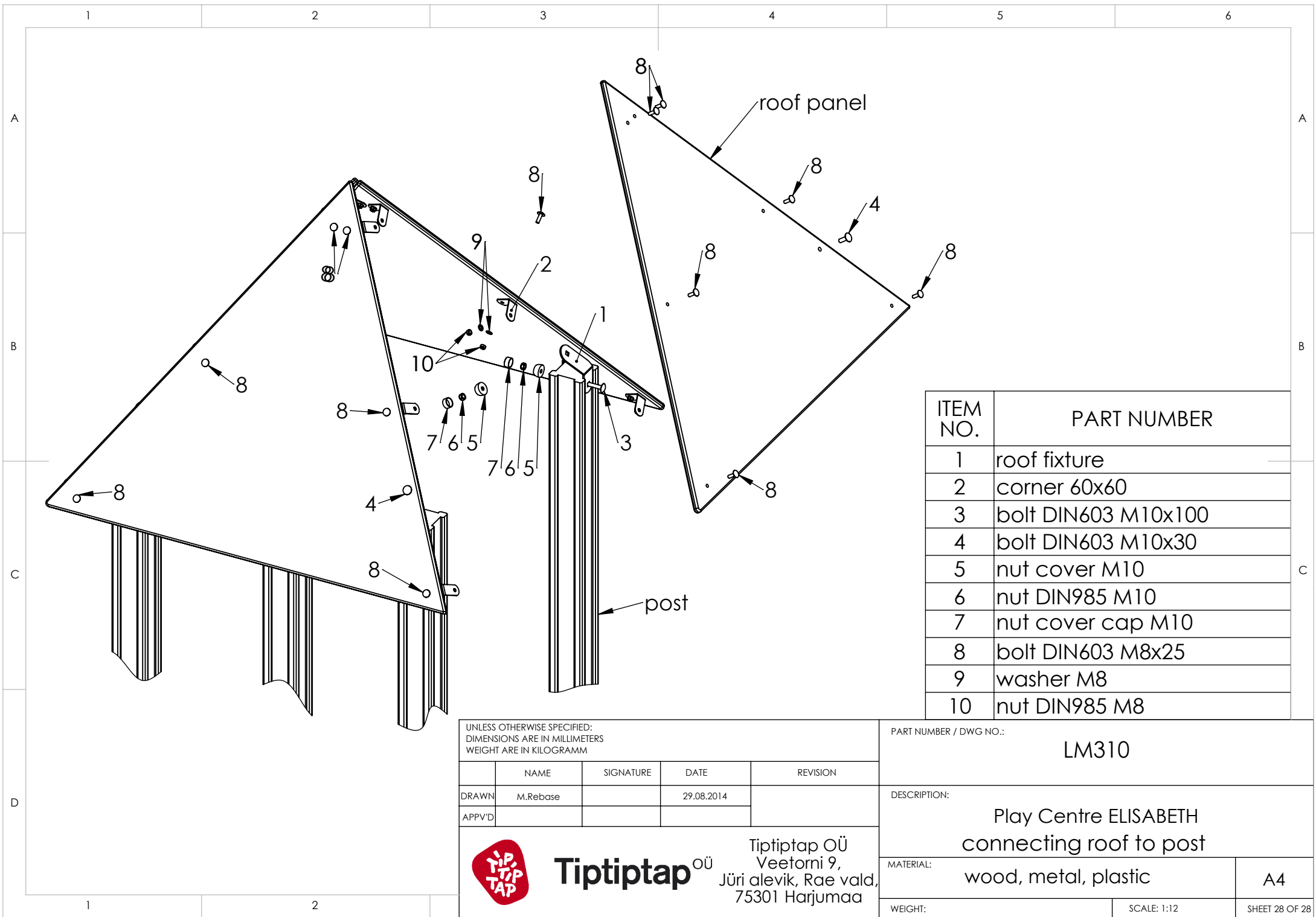
DESCRIPTION:
Play Centre ELISABETH
connecting rope tunnel to post and platform

MATERIAL:
wood, metal, plastic

WEIGHT: SCALE: 1:35 SHEET 27 OF 28



Tiptaptap OÜ
Tiptaptap OÜ
Veetorni 9,
Jüri alevik, Rae vald,
75301 Harjumaa



ITEM NO.	PART NUMBER
1	roof fixture
2	corner 60x60
3	bolt DIN603 M10x100
4	bolt DIN603 M10x30
5	nut cover M10
6	nut DIN985 M10
7	nut cover cap M10
8	bolt DIN603 M8x25
9	washer M8
10	nut DIN985 M8

UNLESS OTHERWISE SPECIFIED:
 DIMENSIONS ARE IN MILLIMETERS
 WEIGHT ARE IN KILOGRAMM

	NAME	SIGNATURE	DATE	REVISION
DRAWN	M.Rebase		29.08.2014	
APPV'D				



Tiptaptap OÜ
 Tiptaptap OÜ
 Veetorni 9,
 Jüri alevik, Rae vald,
 75301 Harjumaa

PART NUMBER / DWG NO.:
LM310

DESCRIPTION:
**Play Centre ELISABETH
 connecting roof to post**

MATERIAL:
 wood, metal, plastic

WEIGHT: SCALE: 1:12 SHEET 28 OF 28

A4