

A

B

C

D

E

F



UNLESS OTHERWISE SPECIFIED:
DIMENSIONS ARE IN MILLIMETERS
WEIGHT ARE IN KILOGRAMM

PART NUMBER / DWG NO.:

LM310

	NAME	SIGNATURE	DATE	REVISION
DRAWN	M.Rebase		21.04.2012	
APPV'D				

DESCRIPTION:

Play Centre ELISABETH



Tiptaptap OÜ

Tiptaptap OÜ
Veetorni 9,
Jüri alevik, Rae vald,
75301 Harjumaa

MATERIAL:

wood, metal, plastic

A4

WEIGHT:

SCALE: 1:60

SHEET 1 OF 11

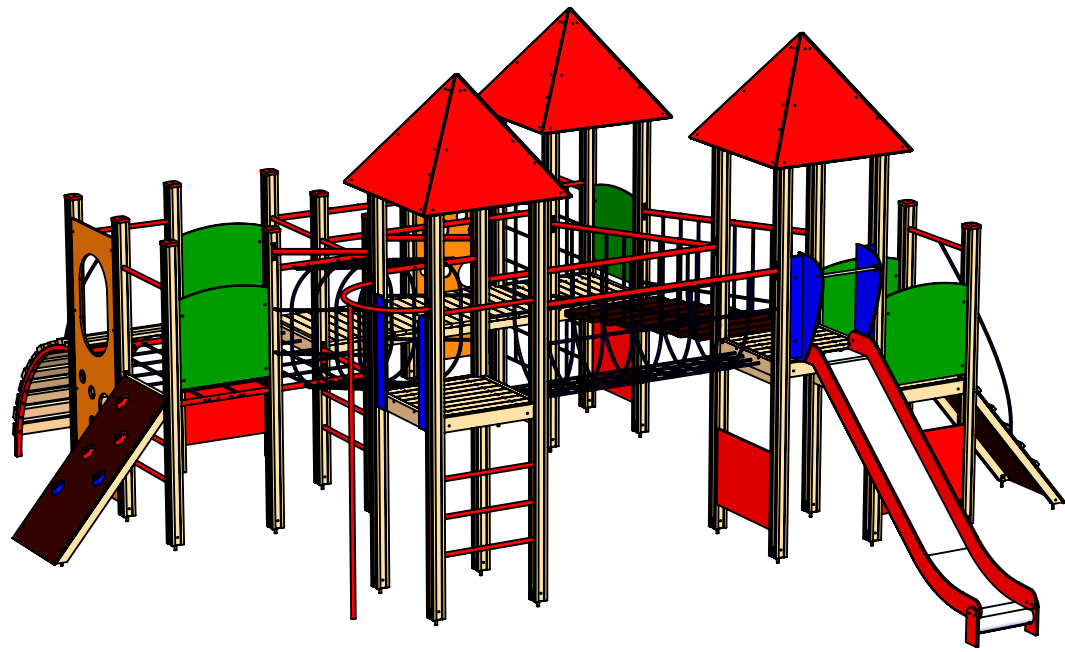
A

B

C

D

E



UNLESS OTHERWISE SPECIFIED:
 DIMENSIONS ARE IN MILLIMETERS
 WEIGHT ARE IN KILOGRAMM

	NAME	SIGNATURE	DATE	REVISION
DRAWN	M.Rebase		21.04.2012	
APPV'D				

PART NUMBER / DWG NO.:
LM310

DESCRIPTION:
Play Centre ELISABETH



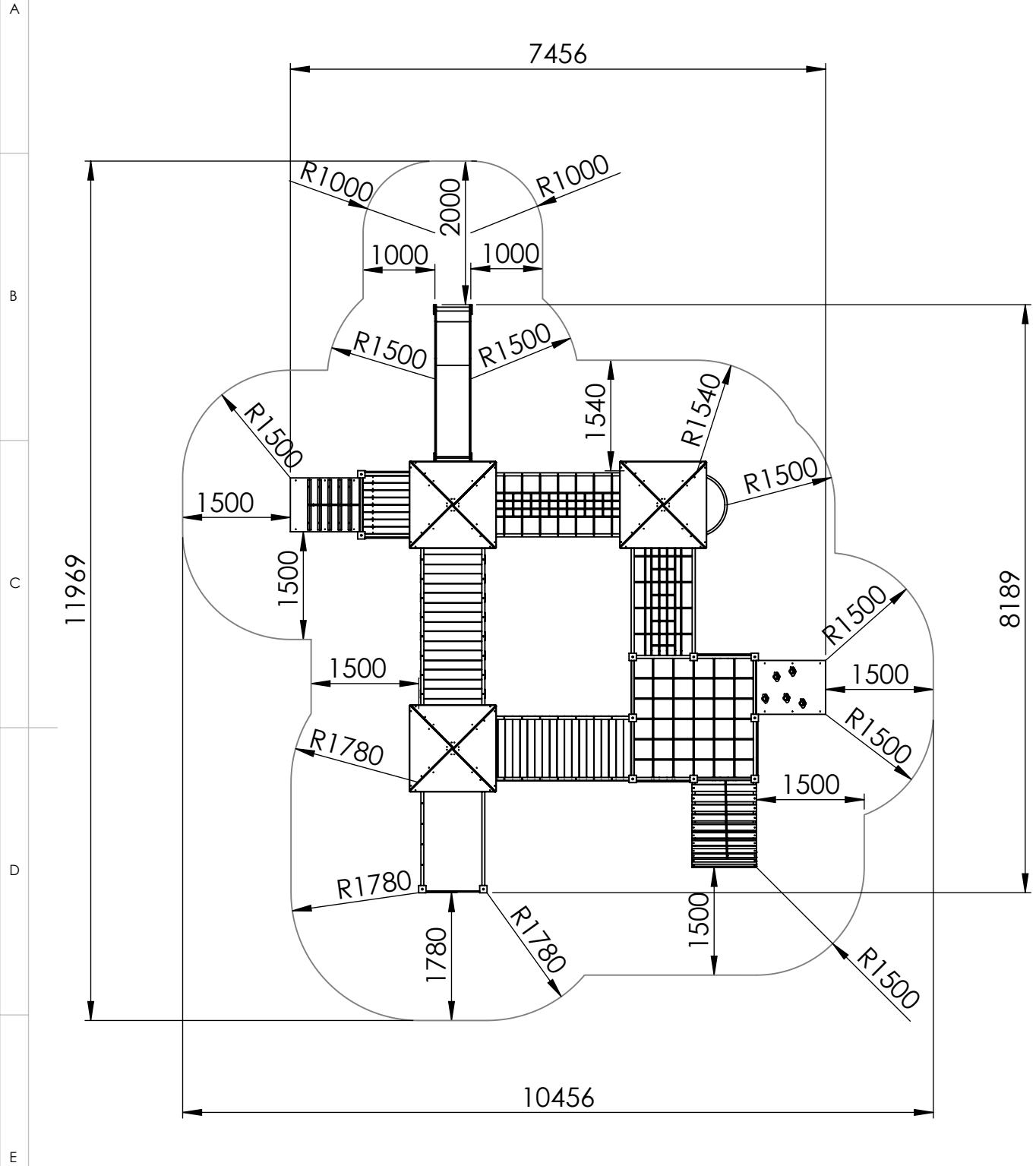
Tiptaptap OÜ
 Veetorni 9,
 Jüri alevik, Rae vald,
 75301 Harjumaa

MATERIAL:
 wood, metal, plastic

A4

WEIGHT: SCALE: 1:50 SHEET 2 OF 11

safety area



UNLESS OTHERWISE SPECIFIED:
DIMENSIONS ARE IN MILLIMETERS
WEIGHT ARE IN KILOGRAMM

PART NUMBER / DWG NO.:

LM310

	NAME	SIGNATURE	DATE	REVISION
DRAWN	M.Rebase		21.04.2012	
APPV'D				

DESCRIPTION:

Play Centre ELISABETH
safety area

MATERIAL:

wood, metal, plastic

A4

WEIGHT:

SCALE: 1:80

SHEET 3 OF 11



Tiptaptap OÜ

Tiptaptap OÜ
Veetorni 9,
Jüri alevik, Rae vald,
75301 Harjumaa

foundation

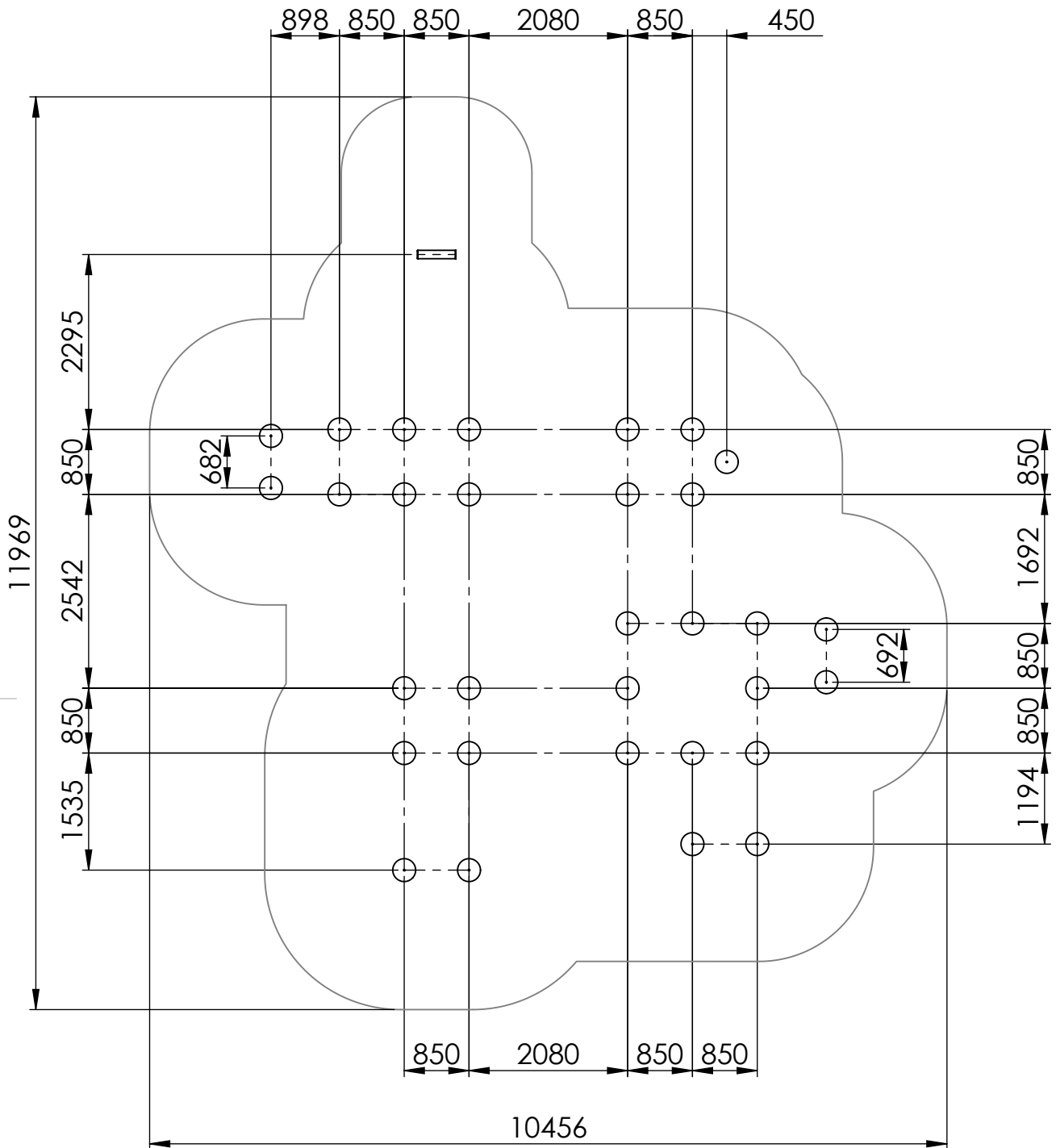
A

B

C

D

E



depth of foundation 450mm

UNLESS OTHERWISE SPECIFIED:
DIMENSIONS ARE IN MILLIMETERS
WEIGHT ARE IN KILOGRAMM

PART NUMBER / DWG NO.:

LM310

	NAME	SIGNATURE	DATE	REVISION
DRAWN	M.Rebase		21.04.2012	
APPV'D				

DESCRIPTION:

Play Centre ELISABETH
foundation

MATERIAL:

wood, metal, plastic

A4

WEIGHT:

SCALE: 1:80

SHEET 4 OF 11



Tiptiptap OÜ

Tiptiptap OÜ
Veetorni 9,
Jüri alevik, Rae vald,
75301 Harjumaa

F

A

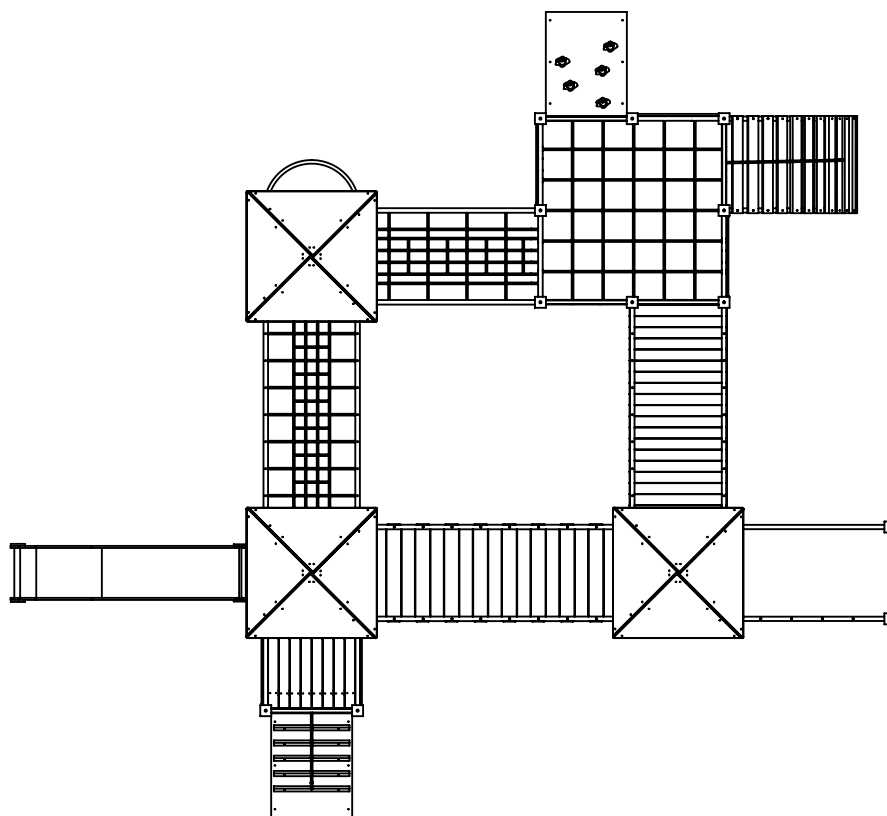
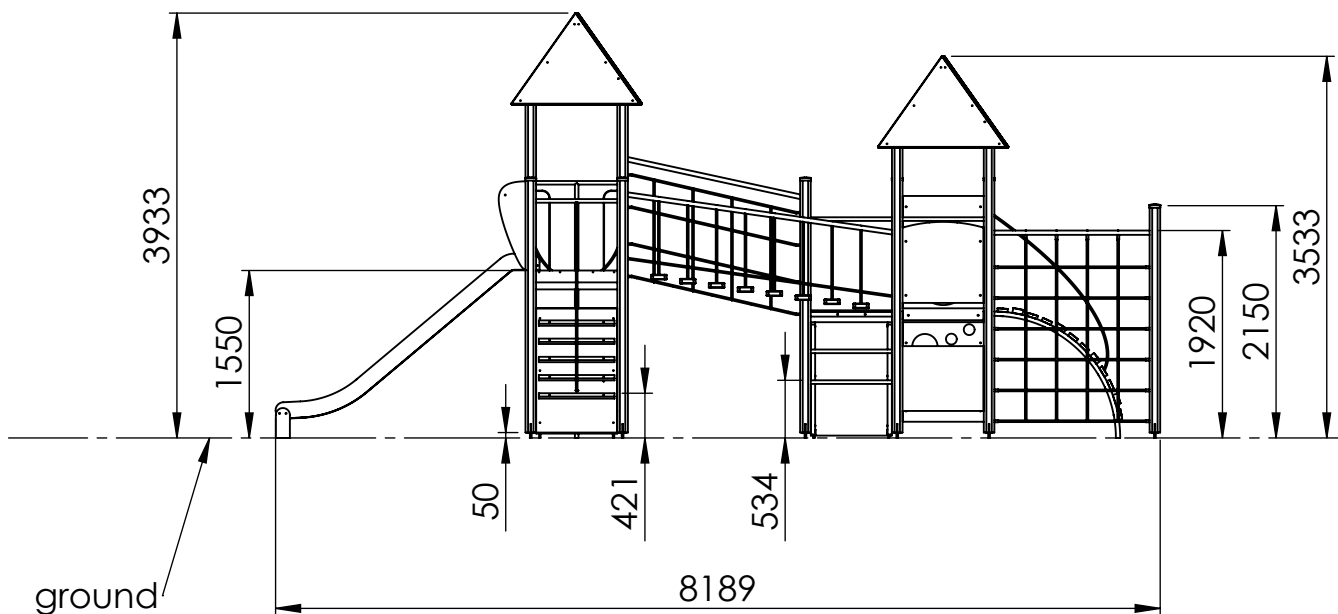
B

C

D

E

F



UNLESS OTHERWISE SPECIFIED:
DIMENSIONS ARE IN MILLIMETERS
WEIGHT ARE IN KILOGRAMM

PART NUMBER / DWG NO.:

LM310

	NAME	SIGNATURE	DATE	REVISION
DRAWN	M.Rebase		21.04.2012	
APPV'D				

DESCRIPTION:

Play Centre ELISABETH



Tiptaptap OÜ

Tiptaptap OÜ
Veetorni 9,
Jüri alevik, Rae vald,
75301 Harjumaa

MATERIAL:

wood, metal, plastic

A4

WEIGHT:

SCALE: 1:70

SHEET 5 OF 11

A

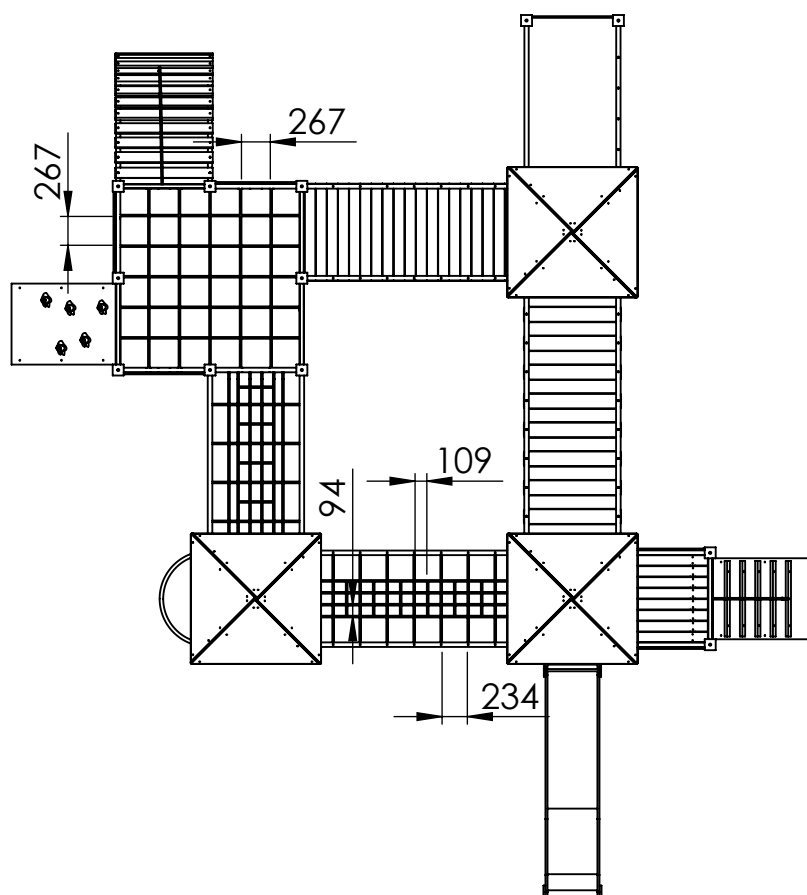
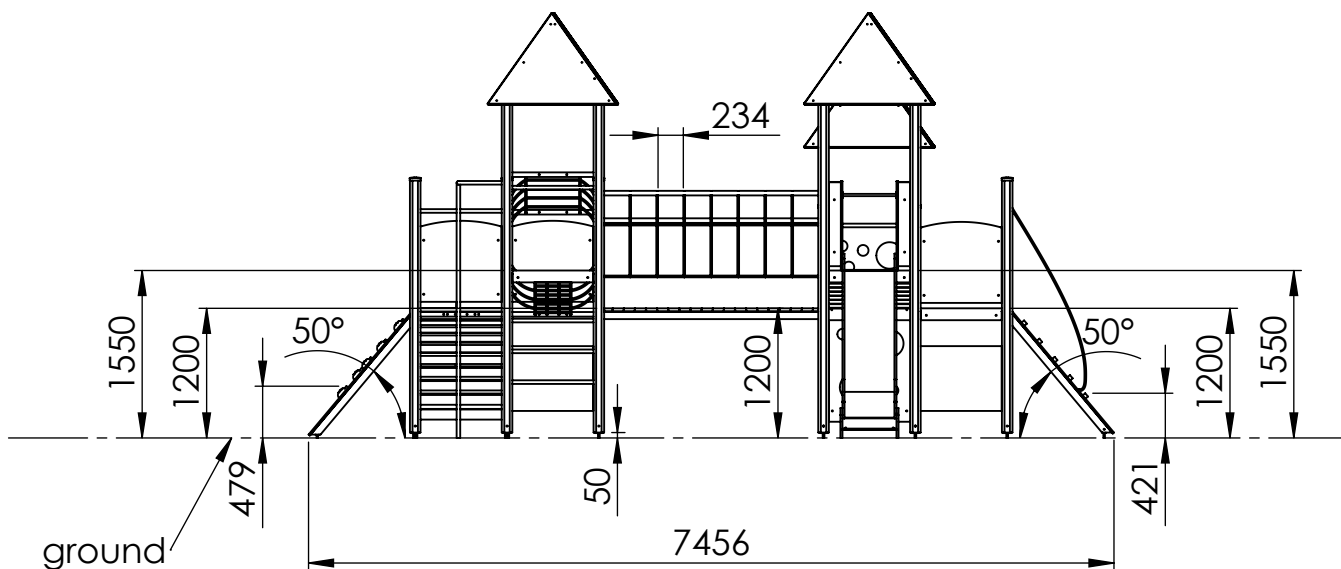
B

C

D

E

F



UNLESS OTHERWISE SPECIFIED:
DIMENSIONS ARE IN MILLIMETERS
WEIGHT ARE IN KILOGRAMM

PART NUMBER / DWG NO.:

LM310

	NAME	SIGNATURE	DATE	REVISION
DRAWN	M.Rebase		21.04.2012	
APPV'D				

DESCRIPTION:

Play Centre ELISABETH



Tiptaptap OÜ

Tiptaptap OÜ
Veetorni 9,
Jüri alevik, Rae vald,
75301 Harjumaa

MATERIAL:

wood, metal, plastic

A4

WEIGHT:

SCALE: 1:70

SHEET 6 OF 11

A

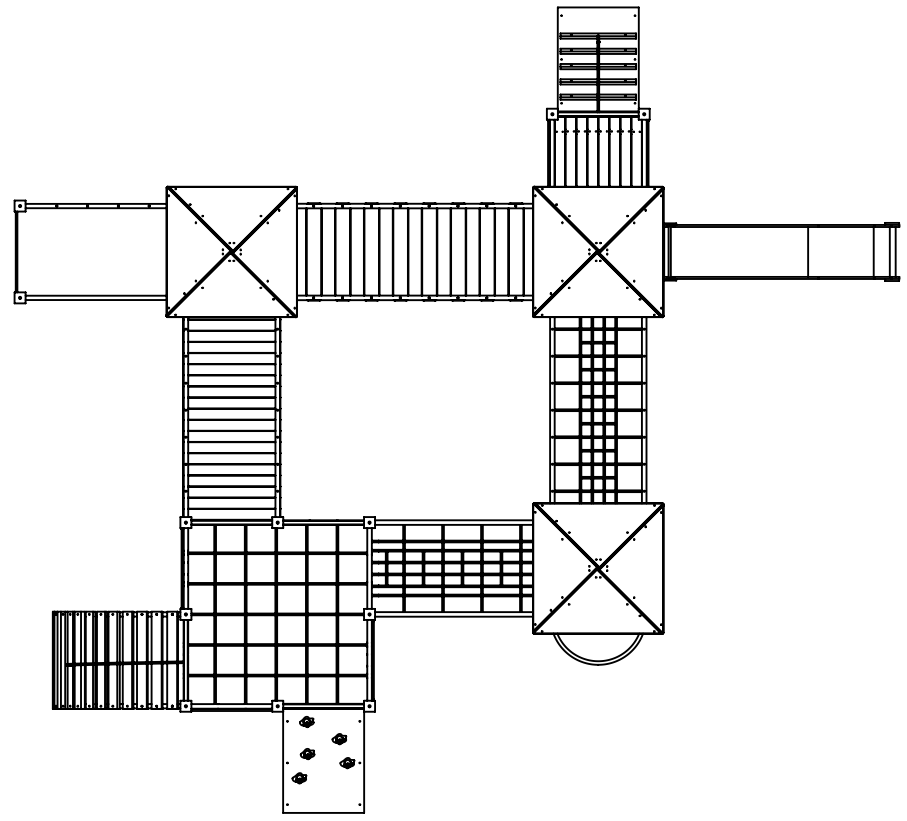
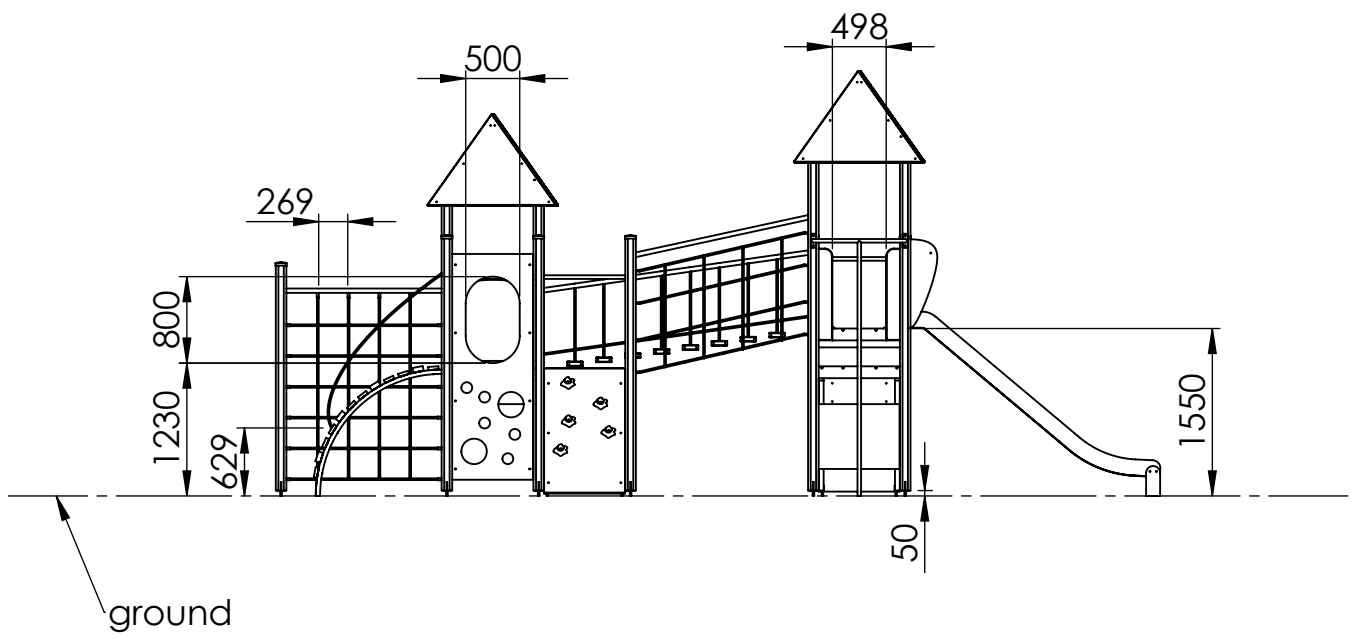
B

C

D

E

F



UNLESS OTHERWISE SPECIFIED:
DIMENSIONS ARE IN MILLIMETERS
WEIGHT ARE IN KILOGRAMM

	NAME	SIGNATURE	DATE	REVISION
DRAWN	M.Rebase		21.04.2012	
APPV'D				

PART NUMBER / DWG NO.:	LM310
DESCRIPTION:	Play Centre ELISABETH



Tiptaptap OÜ
Veetorni 9,
Jüri alevik, Rae vald,
75301 Harjumaa

MATERIAL:	wood, metal, plastic	A4
WEIGHT:	SCALE: 1:70	SHEET 7 OF 11

A

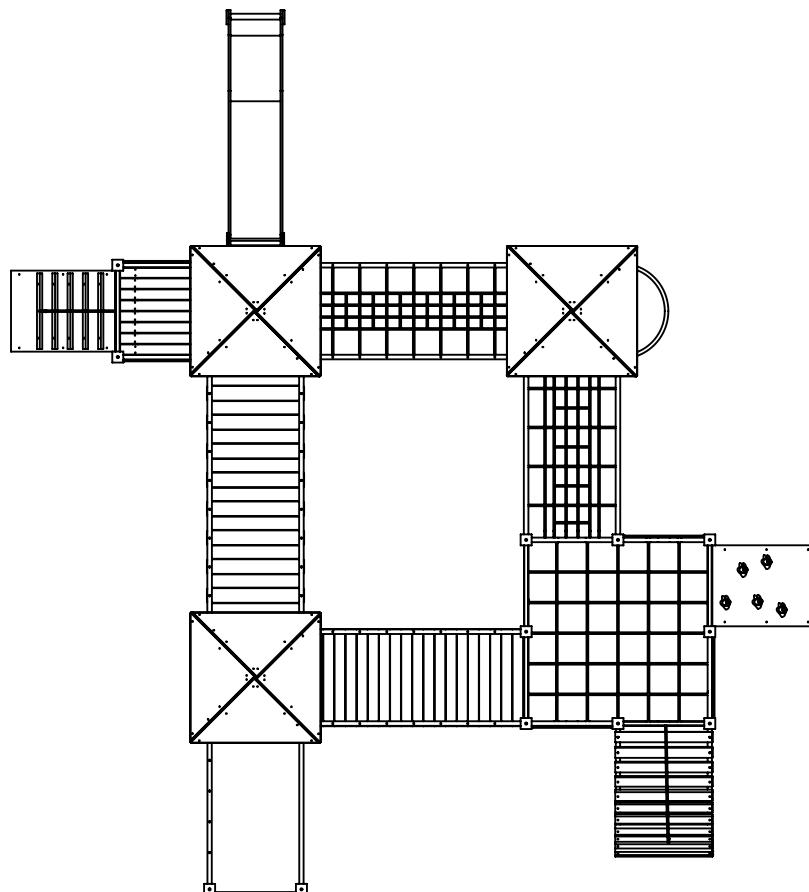
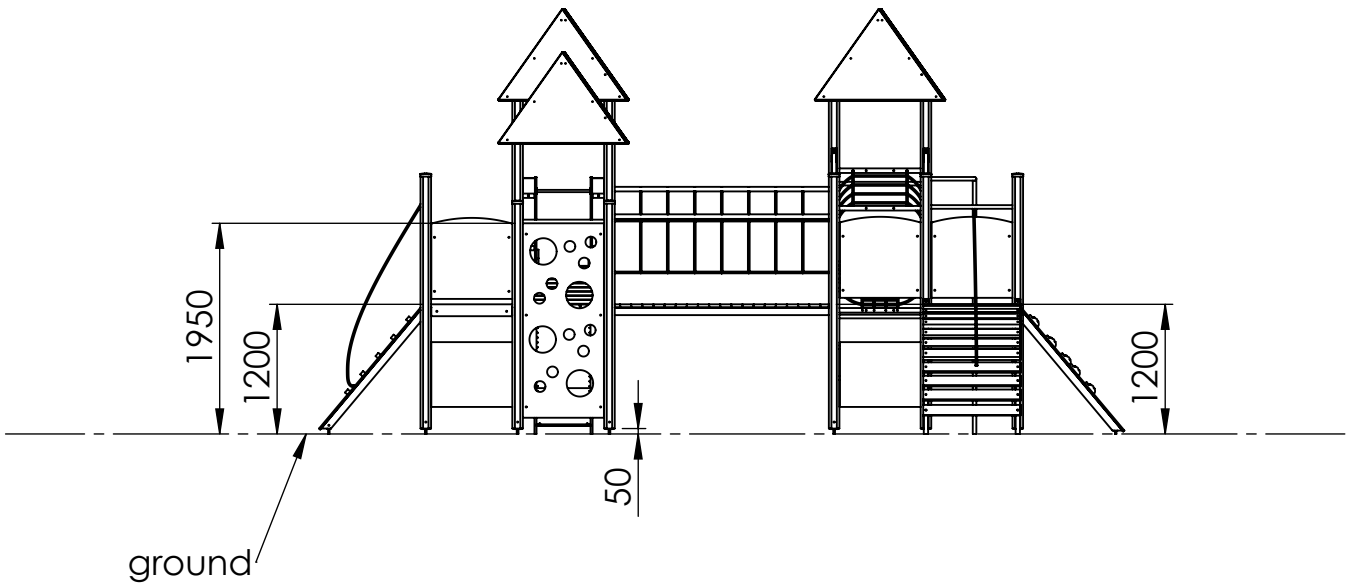
B

C

D

E

F



UNLESS OTHERWISE SPECIFIED:
DIMENSIONS ARE IN MILLIMETERS
WEIGHT ARE IN KILOGRAMM

PART NUMBER / DWG NO.:

LM310

	NAME	SIGNATURE	DATE	REVISION
DRAWN	M.Rebase		21.04.2012	
APPV'D				

DESCRIPTION:

Play Centre ELISABETH



Tiptaptap OÜ

Tiptaptap OÜ
Veetorni 9,
Jüri alevik, Rae vald,
75301 Harjumaa

MATERIAL:

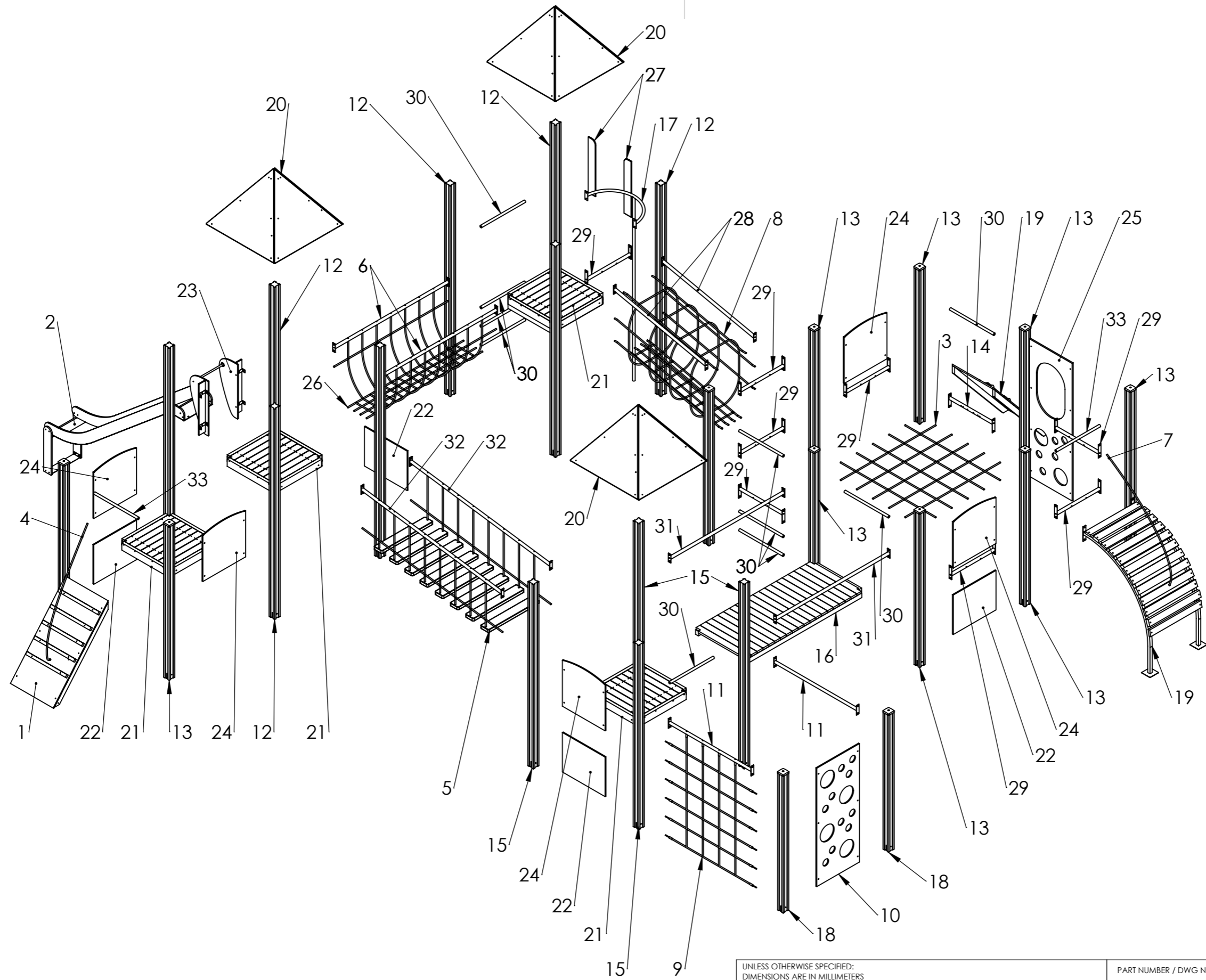
wood, metal, plastic

A4

WEIGHT:

SCALE: 1:70

SHEET 8 OF 11



UNLESS OTHERWISE SPECIFIED:
DIMENSIONS ARE IN MILLIMETERS
WEIGHT ARE IN KILOGRAMM

NAME	SIGNATURE	DATE	REVISION
DRAWN	M.Rebase	21.04.2012	
APPV'D			

Tiptaptap OÜ
Veetorni 9,
Jüri alevik, Rae vald,
75301 Harjumaa

PART NUMBER / DWG NO.:		LM310	
DESCRIPTION:			
		Play Centre ELISABETH	
MATERIAL:	wood, metal, plastic		A4
WEIGHT:	SCALE: 1:50		SHEET 9 OF 11

A

B

C

D

E

F

ITEM NO.	PART NUMBER	DESCRIPTION	QTY.
1	climbing panel h.1200	laminated wood, plywood	1
2	slide h_1550	stainless steel, PE plastic	1
3	net 1670x1670	PP covered steel wire	1
4	rope \varnothing 16x1945	PP covered steel wire	1
5	suspended stairs	wood, metal	1
6	tube \varnothing 40x2000 for bridge	painted steel	2
7	rope \varnothing 16x1920	PP covered steel wire	1
8	inclined rope tunnel	PP covered steel wire	1
9	climbing net 1455x1740	PP covered steel wire	1
10	cheese wall 750x1800	plywood	1
11	tube \varnothing 40x1455	painted steel	1
12	post 98x98x3200	laminated wood	8
13	post 98x98x2350 with top cover	laminated wood, PE plastic	10
14	beam 40x770 for net and bridge	painted steel	1
15	post 98x98x2800	laminated wood	4
16	platform 900x2050	laminated wood	1
17	climbing pole	galvanized painted steel	1
18	post 98x98x2100 with top cover	laminated wood, PE plastic	2
19	climbing ramp	plywood, painted steel	1
20	roof with fixings	plywood, painted steel	3
21	platform	laminated wood	4
22	panel 750x600	plywood	4
23	slide guard block	plywood, metal	1
24	panel 750x750	plywood	5
25	climbing wall	plywood	1
26	rope bridge	PP covered steel wire	1
27	panel 750x127	plywood	2
28	inclined tube \varnothing 40x1650	painted steel	2
29	tube 40x770 for net	painted steel	8
30	guardrail \varnothing 25x770	painted steel	10
31	tube \varnothing 40x2000	painted steel	2
32	tube \varnothing 40x2000 for suspended stairs	painted steel	2
33	tube \varnothing 40x770 for rope	painted steel	2

UNLESS OTHERWISE SPECIFIED:
DIMENSIONS ARE IN MILLIMETERS
WEIGHT ARE IN KILOGRAMM

PART NUMBER / DWG NO.:

LM310

	NAME	SIGNATURE	DATE	REVISION
DRAWN	M.Rebase		21.04.2012	
APPV'D				

DESCRIPTION:

Play Centre ELISABETH

MATERIAL:

wood, metal, plastic

A4

WEIGHT:

SCALE: 1:85

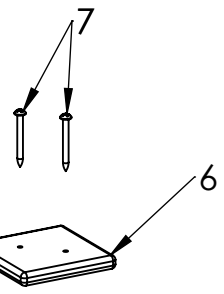
SHEET 10 OF 11



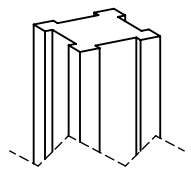
Tiptaptap OÜ

Tiptaptap OÜ
Veetorni 9,
Jüri alevik, Rae vald,
75301 Harjumaa

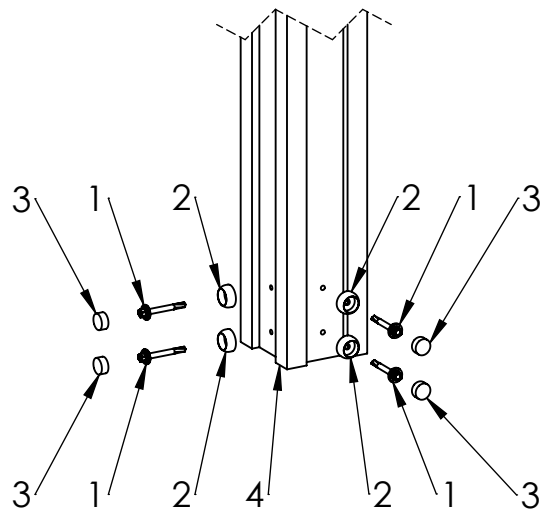
A



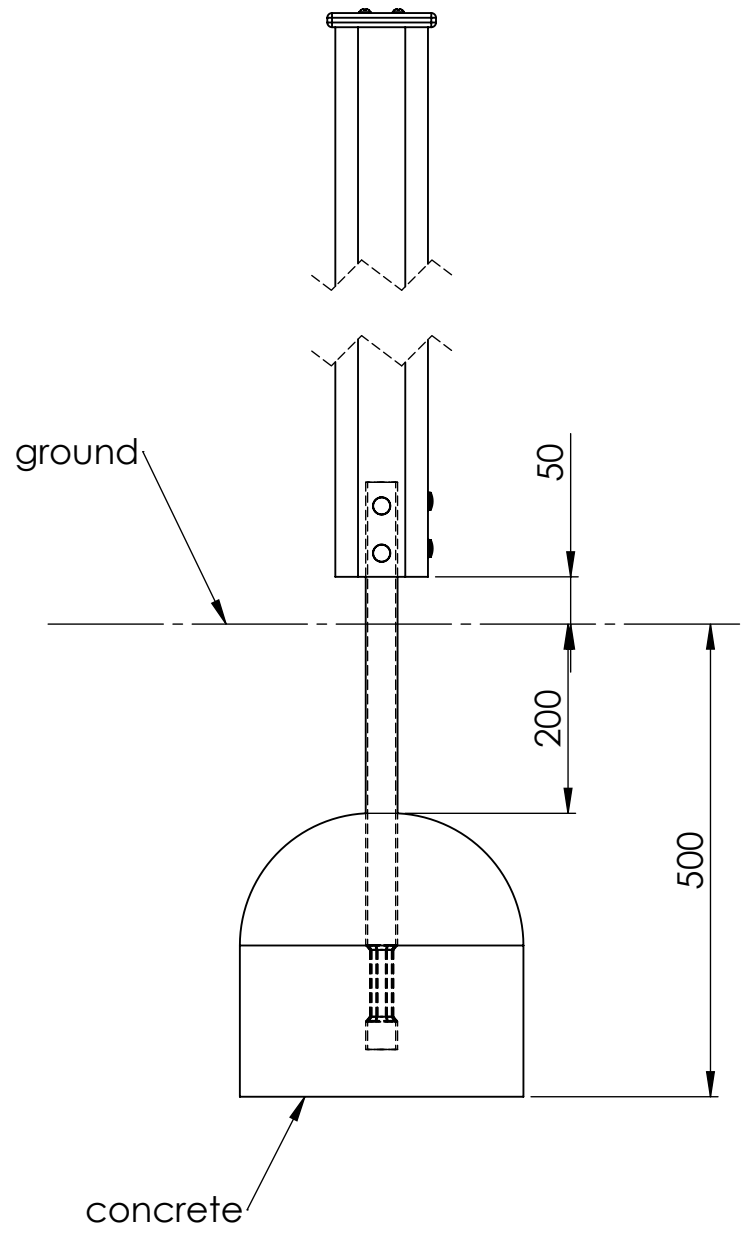
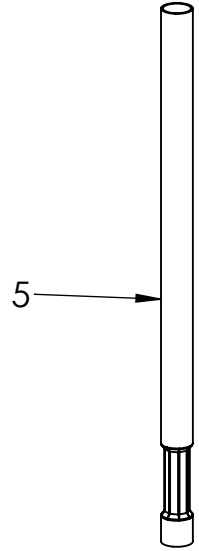
B



C



D



E

ITEM NO.	PART NUMBER
1	screw DIN7504K 5,5x50
2	nut cover M6
3	nut cover cap M6
4	post 98x98
5	metal ground fixing
6	plastic cap 115x115
7	screw DIN7996 6x60

F

UNLESS OTHERWISE SPECIFIED: DIMENSIONS ARE IN MILLIMETERS WEIGHT ARE IN KILOGRAMM				
	NAME	SIGNATURE	DATE	REVISION
DRAWN	M.Rebase		21.04.2012	
APPV'D				

PART NUMBER / DWG NO.:	LM310
DESCRIPTION:	Play Centre ELISABETH connecting metal ground fixing to post



Tiptaptap OÜ

Tiptaptap OÜ
Veetorni 9,
Jüri alevik, Rae vald,
75301 Harjumaa

MATERIAL:	wood, metal, plastic	A4
WEIGHT:	SCALE: 1:8	SHEET 11 OF 11