

A

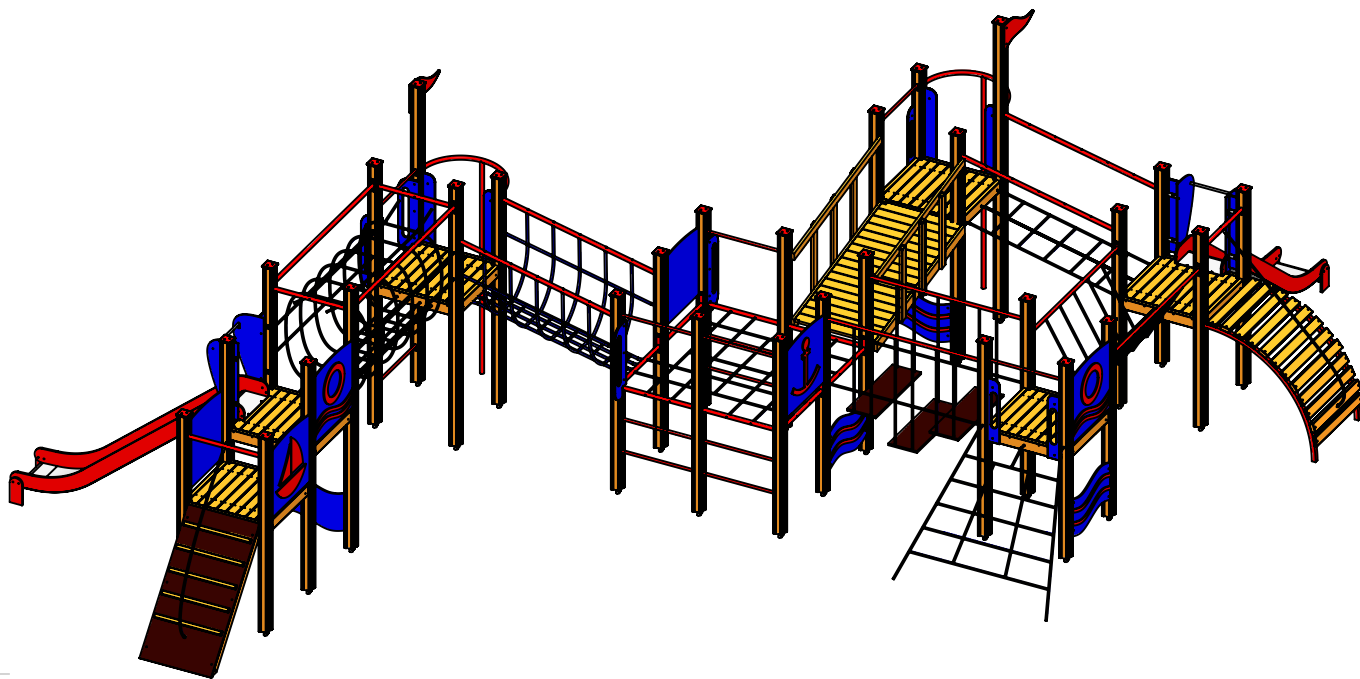
B

C

D

E

F



UNLESS OTHERWISE SPECIFIED:
DIMENSIONS ARE IN MILLIMETERS
WEIGHT ARE IN KILOGRAMM

PART NUMBER / DWG NO.:

LM300-3

	NAME	SIGNATURE	DATE	REVISION
DRAWN	M.Rebase		22.08.2018	
APPV'D				

DESCRIPTION:

Multi Activity Centre HARBOUR Mini



Tiptaptap OÜ

Tiptaptap OÜ
Veetorni 9,
Jüri alevik, Rae vald,
75301 Harjumaa

MATERIAL:

wood, metal, plastic

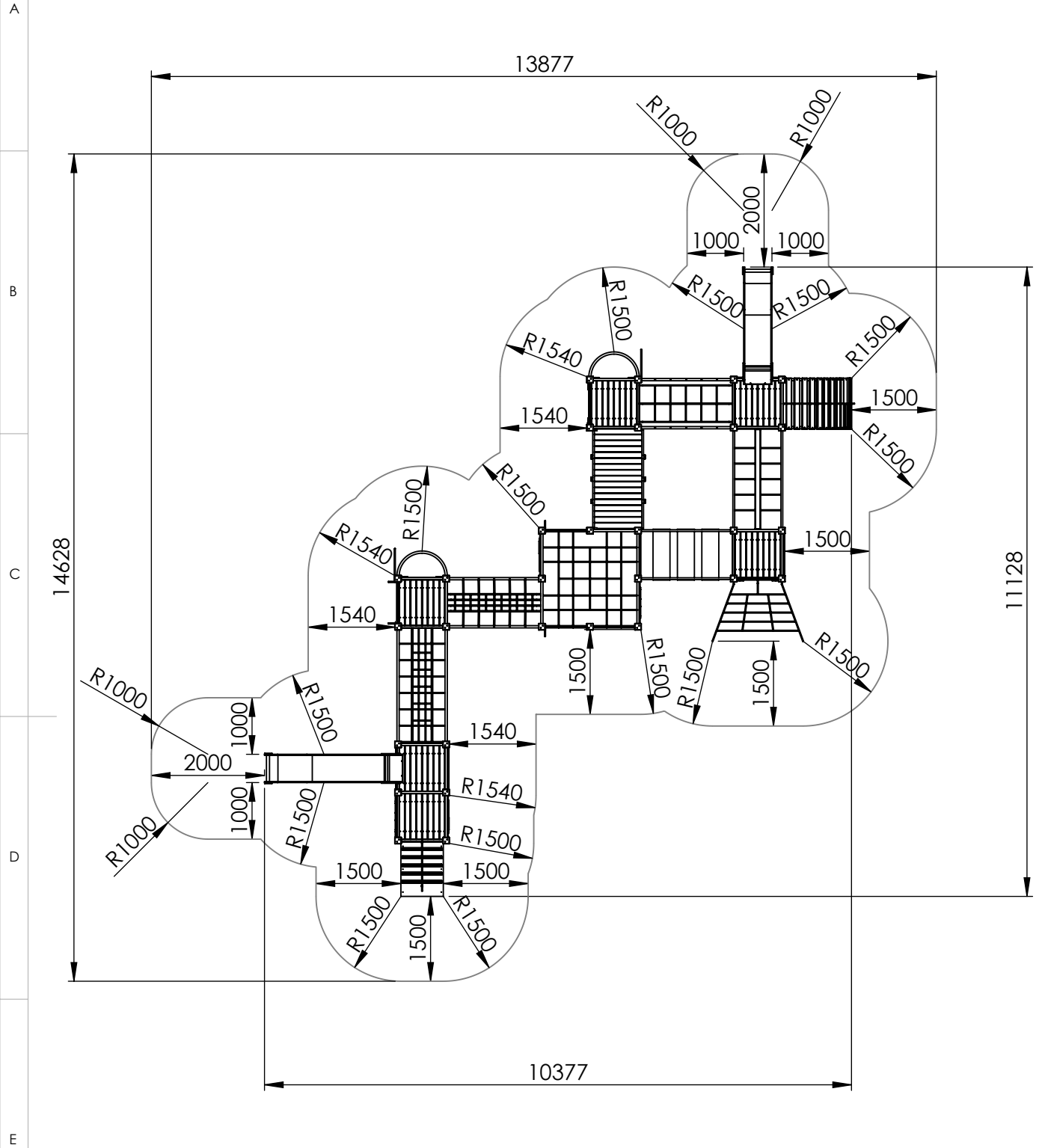
A4

WEIGHT:

SCALE: 1:70

SHEET 1 OF 28

safety area



UNLESS OTHERWISE SPECIFIED:
DIMENSIONS ARE IN MILLIMETERS
WEIGHT ARE IN KILOGRAMM

PART NUMBER / DWG NO.:

LM300-3

	NAME	SIGNATURE	DATE	REVISION
DRAWN	M.Rebase		22.08.2018	
APPV'D				

DESCRIPTION:

Multi Activity Centre HARBOUR Mini



Tiptaptap OÜ

Tiptaptap OÜ
Veetorni 9,
Jüri alevik, Rae vald,
75301 Harjumaa

MATERIAL:

wood, metal, plastic

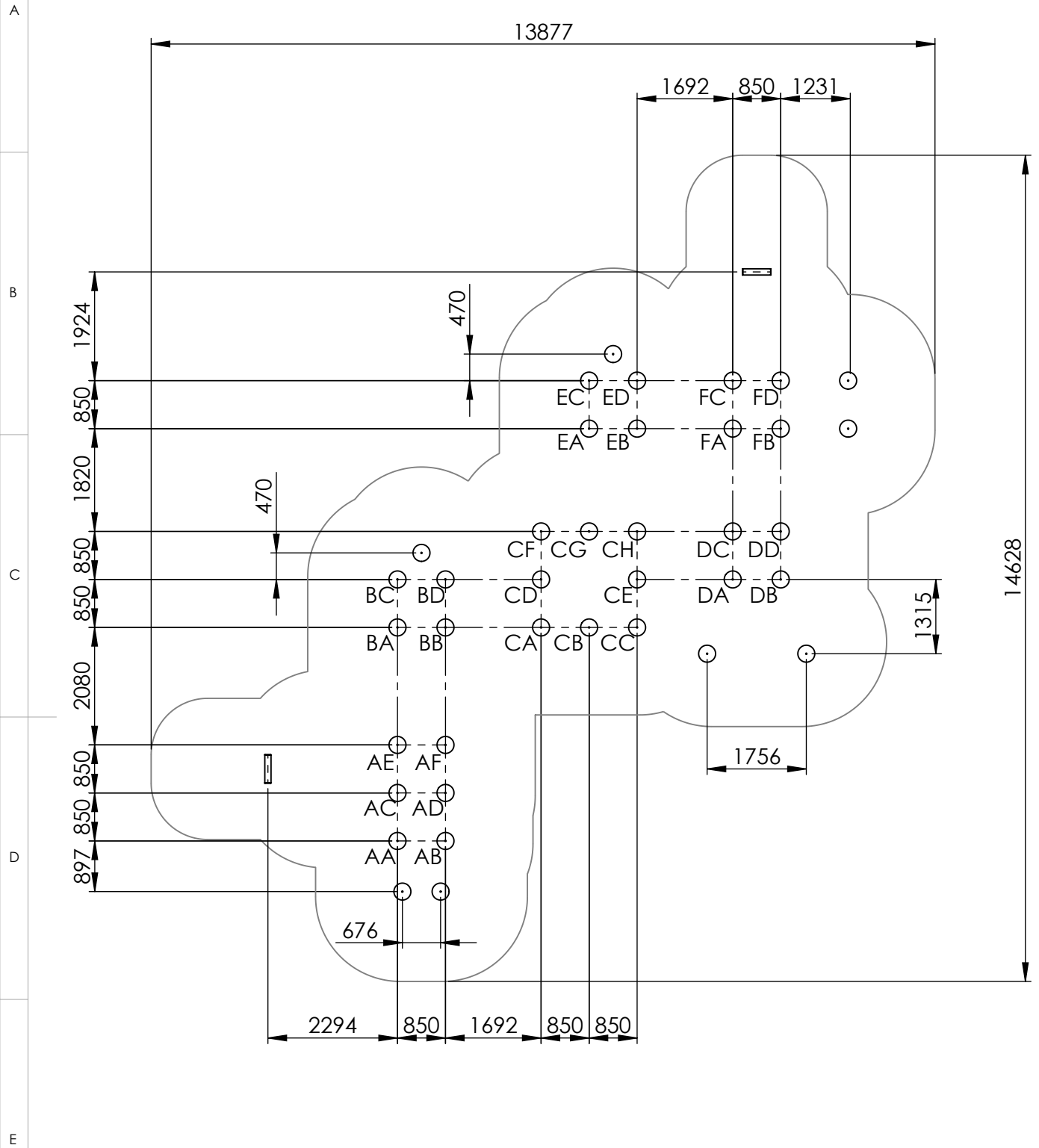
A4

WEIGHT:

SCALE: 1:100

SHEET 2 OF 28

foundation



UNLESS OTHERWISE SPECIFIED:
DIMENSIONS ARE IN MILLIMETERS
WEIGHT ARE IN KILOGRAMM

PART NUMBER / DWG NO.:

LM300-3

	NAME	SIGNATURE	DATE	REVISION
DRAWN	M.Rebase		22.08.2018	
APPV'D				

DESCRIPTION:

Multi Activity Centre HARBOUR Mini



Tiptaptap OÜ

Tiptaptap OÜ
Veetorni 9,
Jüri alevik, Rae vald,
75301 Harjumaa

MATERIAL:

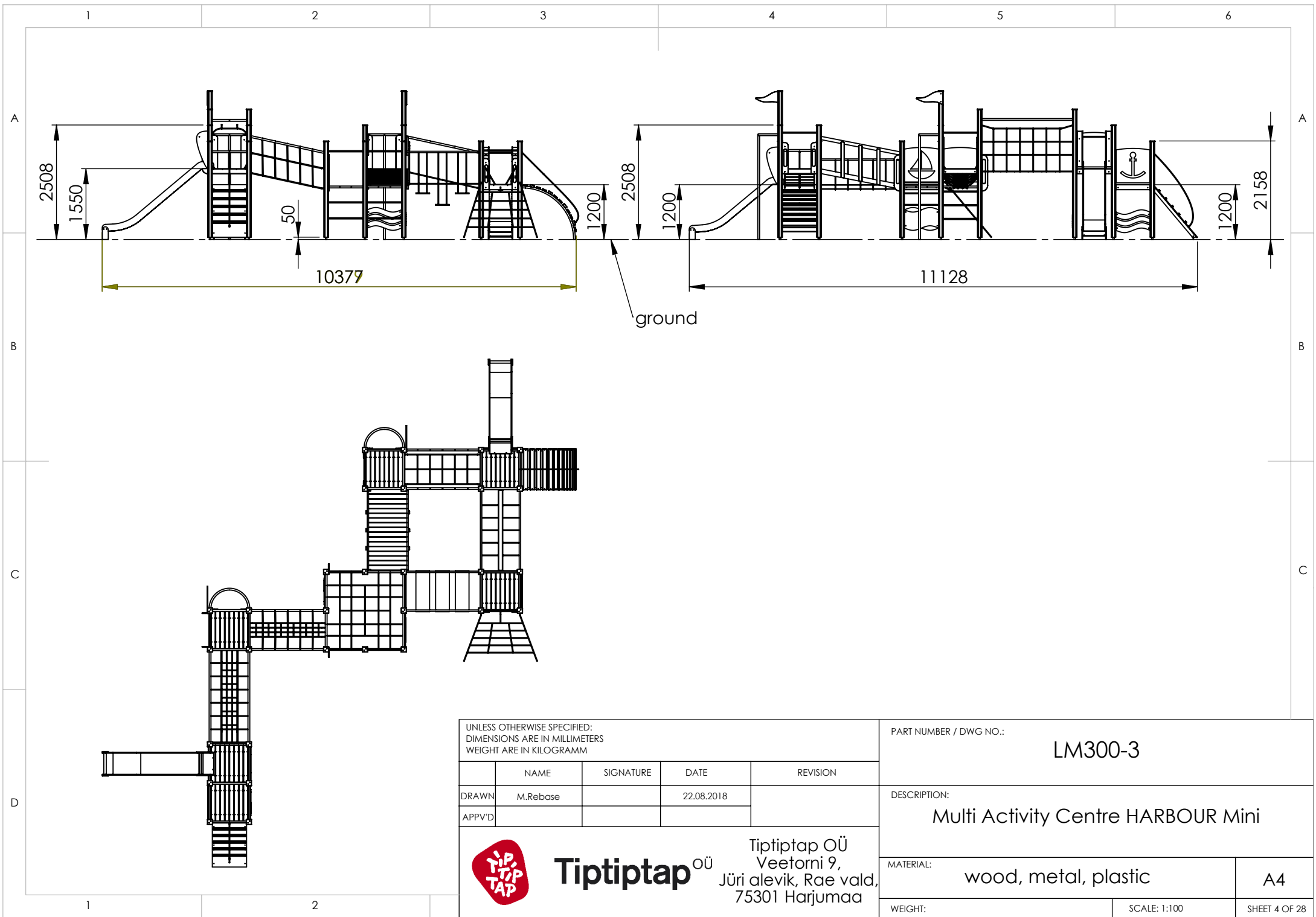
wood, metal, plastic

A4

WEIGHT:

SCALE: 1:100

SHEET 3 OF 28



UNLESS OTHERWISE SPECIFIED:
 DIMENSIONS ARE IN MILLIMETERS
 WEIGHT ARE IN KILOGRAMM

	NAME	SIGNATURE	DATE	REVISION
DRAWN	M.Rebase		22.08.2018	
APPV'D				

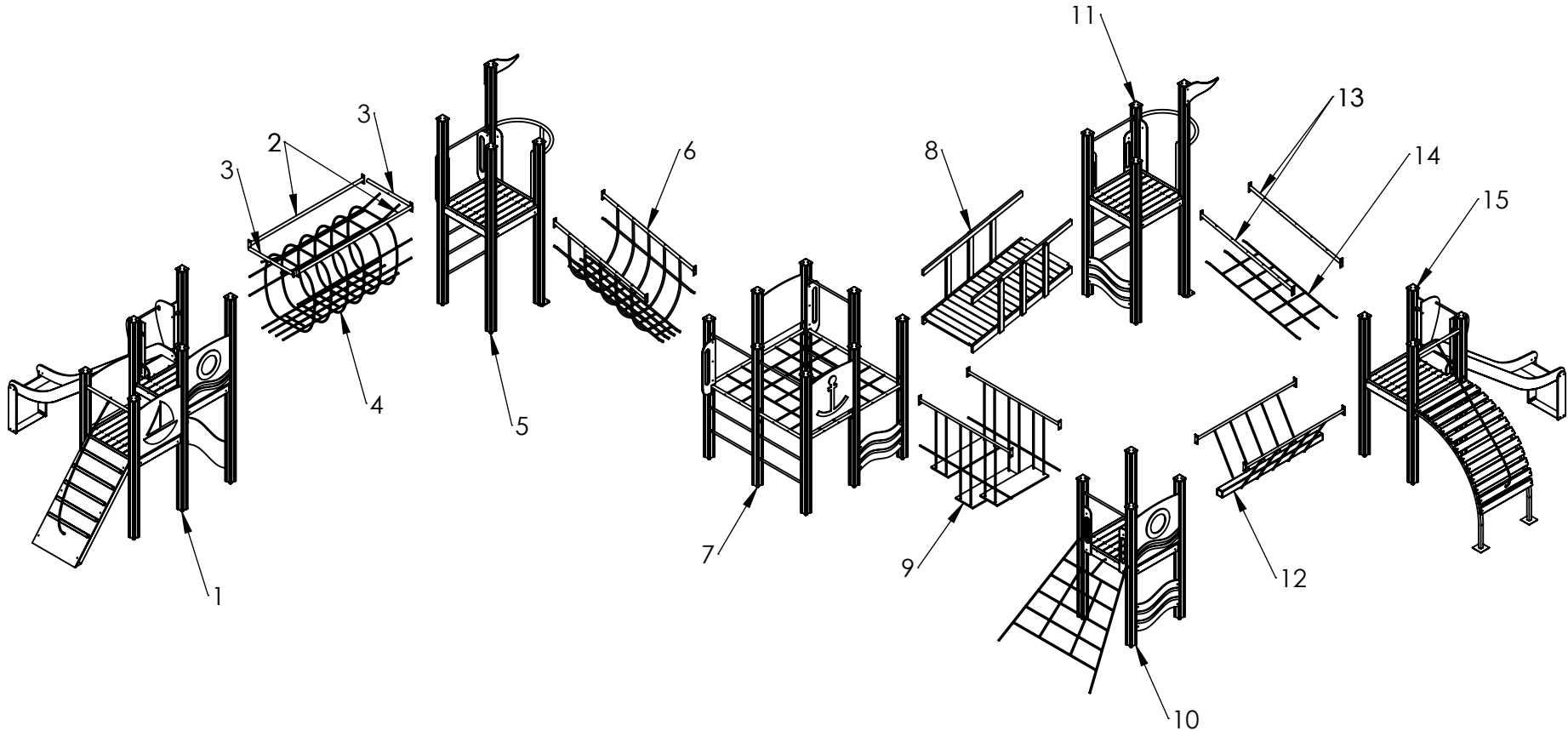
PART NUMBER / DWG NO.:
LM300-3

DESCRIPTION:
Multi Activity Centre HARBOUR Mini



Tiptaptap OÜ
 Tiptaptap OÜ
 Veetorni 9,
 Jüri alevik, Rae vald,
 75301 Harjumaa

MATERIAL:	wood, metal, plastic	A4
WEIGHT:	SCALE: 1:100	SHEET 4 OF 28



UNLESS OTHERWISE SPECIFIED:
 DIMENSIONS ARE IN MILLIMETERS
 WEIGHT ARE IN KILOGRAMM

PART NUMBER / DWG NO.:
LM300-3

	NAME	SIGNATURE	DATE	REVISION
DRAWN	M.Rebase		22.08.2018	
APPV'D				

DESCRIPTION:
Multi Activity Centre HARBOUR Mini



Tiptaptap OÜ
 Veetorni 9,
 Jüri alevik, Rae vald,
 75301 Harjumaa

MATERIAL:
 wood, metal, plastic

A4

WEIGHT: SCALE: 1:80 SHEET 5 OF 28

ITEM NO.	PART NUMBER	DESCRIPTION	QTY.	
A	1	platform A	laminated wood	1
	2	beam 40x2000	painted steel	2
	3	guardrail Ø40x770 with 1 hole	painted steel	2
	4	rope tunnel L_2000	PP covered steel wire	1
B	5	platform B	laminated wood	1
	6	inclined rope bridge	PP covered steel wire	1
	7	platform C	laminated wood	1
	8	inclined bridge I_1590	wood	1
	9	bridge with steps	PP covered steel wire, plywood,metal	1
	10	platform D	laminated wood	1
	11	platform E	laminated wood	1
C	12	bridge with beam	PP covered steel wire, plywood,metal	1
	13	inclined beam d.40x1650, 5 holes	painted steel	2
	14	inclined rope path L_1600	PP covered steel wire	1
	15	platform F	laminated wood	1



UNLESS OTHERWISE SPECIFIED:
DIMENSIONS ARE IN MILLIMETERS
WEIGHT ARE IN KILOGRAMM

PART NUMBER / DWG NO.:
LM300-3

	NAME	SIGNATURE	DATE	REVISION
DRAWN	M.Rebase		22.08.2018	
APPV'D				

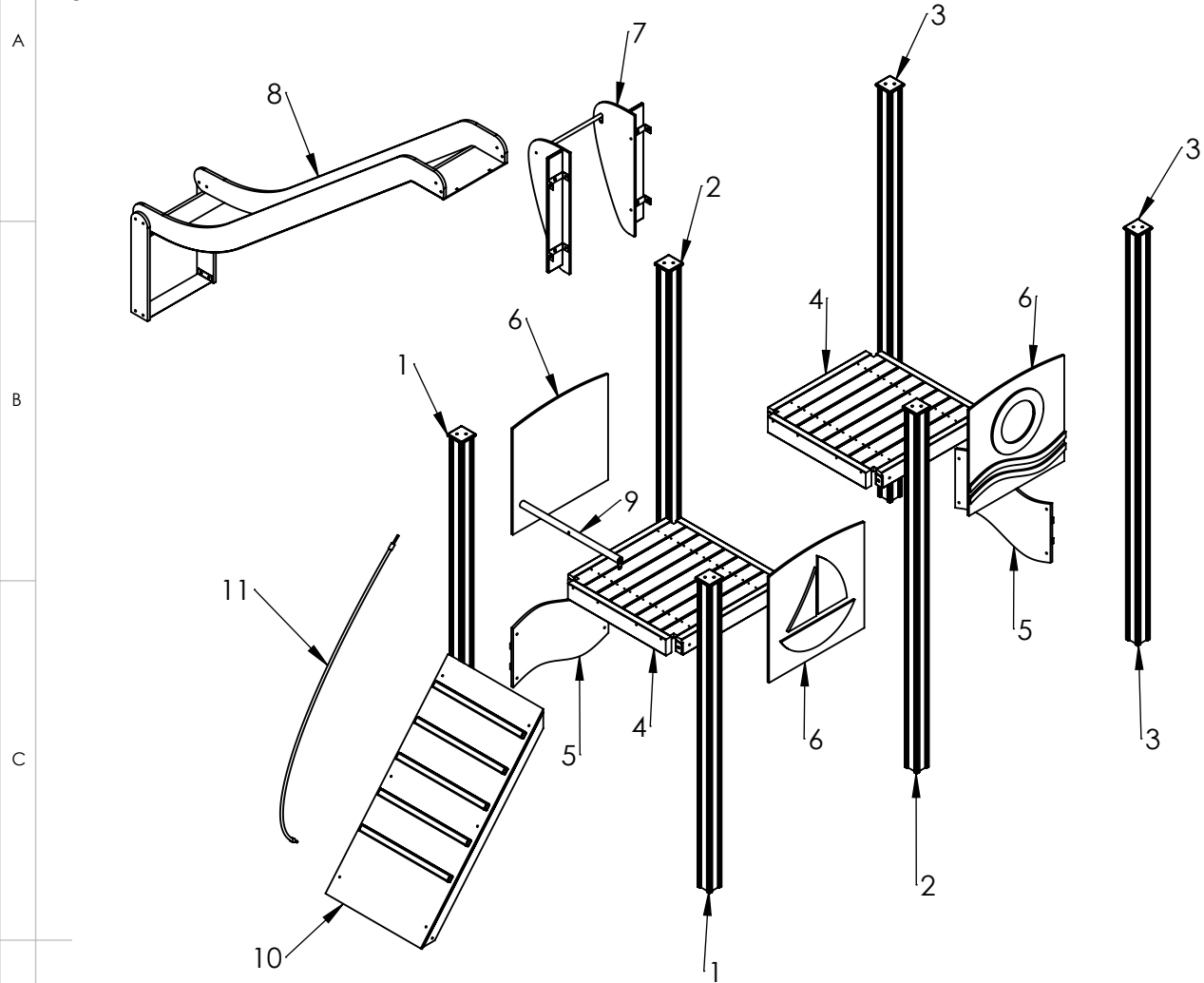
DESCRIPTION:
Multi Activity Centre HARBOUR Mini



Tiptiptap OÜ
Tiptiptap OÜ
Veetorni 9,
Jüri alevik, Rae vald,
75301 Harjumaa

MATERIAL:	wood, metal, plastic	A4
WEIGHT:	SCALE: 1:80	SHEET 6 OF 28

platform A



ITEM NO.	PART NUMBER	DESCRIPTION	QTY.
D 1	post 98x98x2100	laminated wood	2
2	post 98x98x2450	laminated wood	2
3	post 98x98x2800	laminated wood	2
4	platform	laminated wood, metal	2
5	side panel 750x300 wave	plywood	2
6	panel 750x750	plywood	3
7	slide guard block	plywood, painted steel	1
E 8	slide h.1550	stainless steel, PE plastic	1
9	guardrail Ø40x770 with 1 hole	painted steel	1
10	climbing panel h.1200	laminated wood, plywood	1
11	rope d.16x1200	PP covered steel wire	1

UNLESS OTHERWISE SPECIFIED:
DIMENSIONS ARE IN MILLIMETERS
WEIGHT ARE IN KILOGRAMM

PART NUMBER / DWG NO.:

LM300-3

	NAME	SIGNATURE	DATE	REVISION
DRAWN	M.Rebase		22.08.2018	
APPV'D				

DESCRIPTION:

Multi Activity Centre HARBOUR Mini

MATERIAL:

wood, metal, plastic

A4

WEIGHT:

SCALE: 1:40

SHEET 7 OF 28



Tiptaptap OÜ

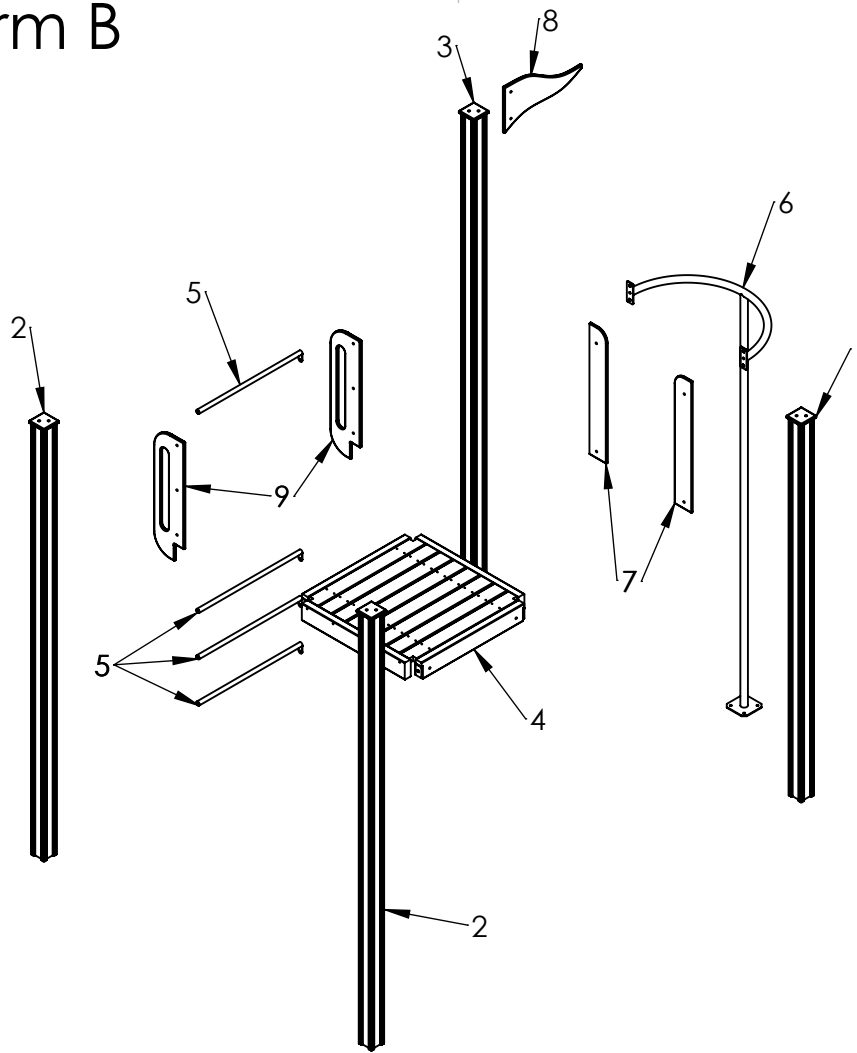
Tiptaptap OÜ
Veetorni 9,
Jüri alevik, Rae vald,
75301 Harjumaa

platform B

A

B

C



D

E

F

ITEM NO.	PART NUMBER	DESCRIPTION	QTY.
1	post 98x98x2450	laminated wood	1
2	post 98x98x2800	laminated wood	2
3	post 98x98x3200	laminated wood	1
4	platform	laminated wood, metal	1
5	guardrail ϕ 25x770	painted steel	4
6	climbing pole	galvanized painted steel	1
7	panel 850x126	plywood	2
8	flag	plywood	1
9	panel 225x800	PE plastic	2

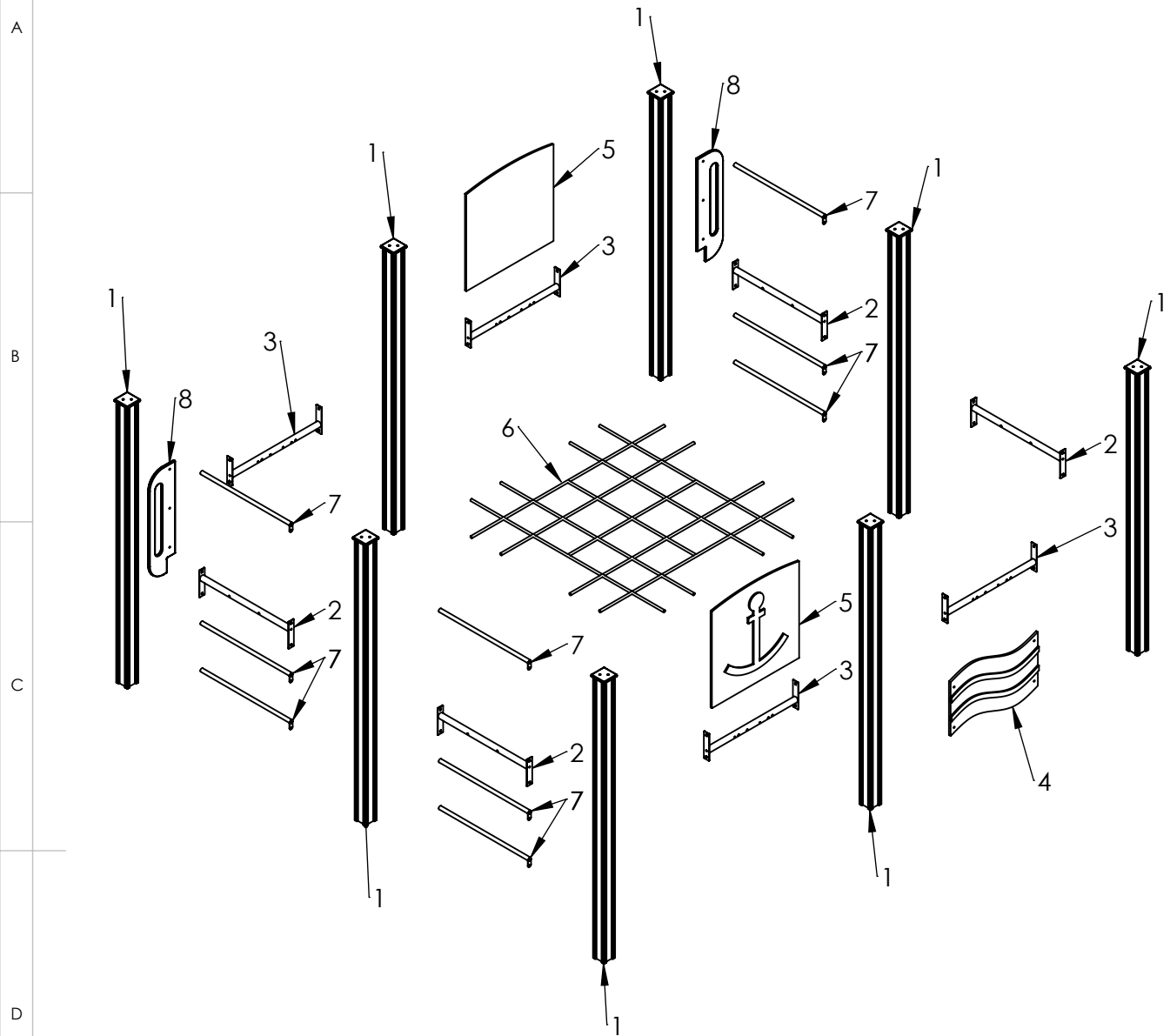
UNLESS OTHERWISE SPECIFIED: DIMENSIONS ARE IN MILLIMETERS WEIGHT ARE IN KILOGRAMM				
	NAME	SIGNATURE	DATE	REVISION
DRAWN	M.Rebase		22.08.2018	
APPV'D				

PART NUMBER / DWG NO.:	LM300-3
DESCRIPTION:	Multi Activity Centre HARBOUR Mini


Tiptaptap OÜ
 Veetorni 9,
 Jüri alevik, Rae vald,
 75301 Harjumaa

MATERIAL:	wood, metal, plastic	A4
WEIGHT:	SCALE: 1:40	SHEET 8 OF 28

platform C



ITEM NO.	PART NUMBER	DESCRIPTION	QTY.
1	post 98x98x2100	laminated wood	8
2	beam 40x770_2 holes	painted steel	4
3	beam 40x770_6 holes	painted steel	4
4	side panel 750x300 wave	plywood	1
5	panel 750x750	plywood	2
6	net 1670x1670	PP covered steel wire	1
7	guardrail ϕ 25x770	painted steel	9
8	panel 225x800	PE plastic	2

UNLESS OTHERWISE SPECIFIED:
DIMENSIONS ARE IN MILLIMETERS
WEIGHT ARE IN KILOGRAMM

PART NUMBER / DWG NO.:

LM300-3

	NAME	SIGNATURE	DATE	REVISION
DRAWN	M.Rebase		22.08.2018	
APPV'D				

DESCRIPTION:

Multi Activity Centre HARBOUR Mini

MATERIAL:

wood, metal, plastic

A4

WEIGHT:

SCALE: 1:40

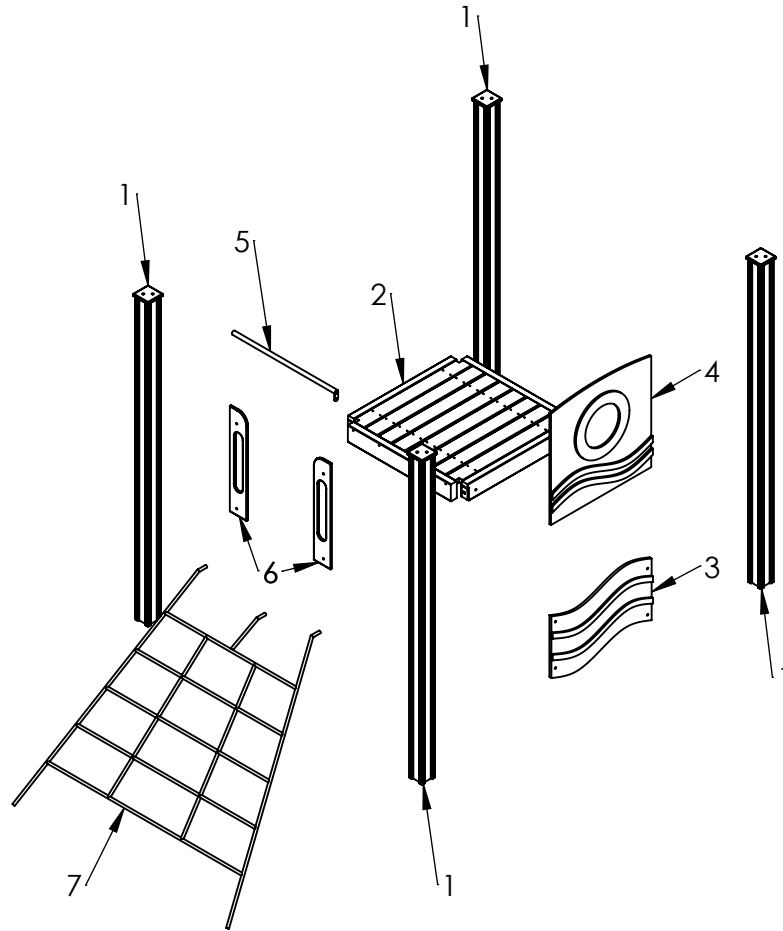
SHEET 9 OF 28



Tiptiptap OÜ

Tiptiptap OÜ
Veetorni 9,
Jüri alevik, Rae vald,
75301 Harjumaa

platform D



ITEM NO.	PART NUMBER	DESCRIPTION	QTY.
1	post 98x98x2100	laminated wood	4
2	platform	laminated wood, metal	1
3	side panel 750x300 wave	plywood	1
4	panel 750x750	plywood	1
5	guardrail ϕ 25x770	painted steel	1
6	panel 685x126	plywood	2
7	rope ladder h_1200	PP covered steel wire	1

UNLESS OTHERWISE SPECIFIED:
DIMENSIONS ARE IN MILLIMETERS
WEIGHT ARE IN KILOGRAMM

PART NUMBER / DWG NO.:

LM300-3

	NAME	SIGNATURE	DATE	REVISION
DRAWN	M.Rebase		22.08.2018	
APPV'D				

DESCRIPTION:

Multi Activity Centre HARBOUR Mini

MATERIAL:

wood, metal, plastic

A4

WEIGHT:

SCALE: 1:40

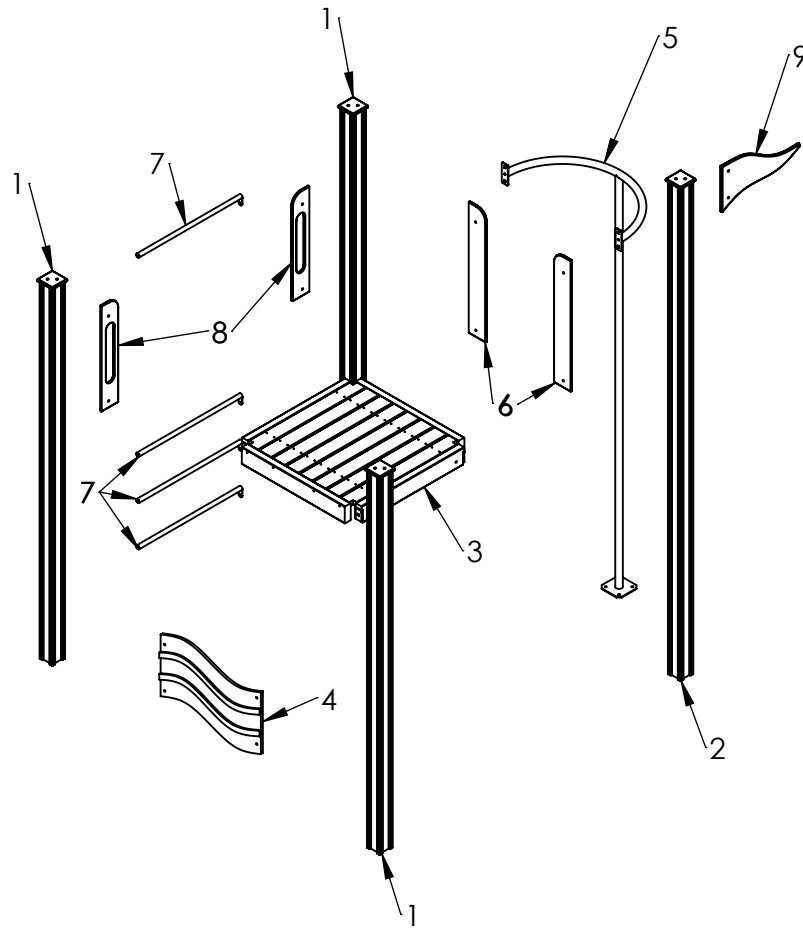
SHEET 10 OF 28



Tiptaptap OÜ

Tiptaptap OÜ
Veetorni 9,
Jüri alevik, Rae vald,
75301 Harjumaa

platform E



ITEM NO.	PART NUMBER	DESCRIPTION	QTY.
1	post 98x98x2450	laminated wood	3
2	post 98x98x3200	laminated wood	1
3	platform	laminated wood, metal	1
4	side panel 750x300 wave	plywood	1
5	climbing pole	galvanized painted steel	1
6	panel 850x126	plywood	2
7	guardrail ϕ 25x770	painted steel	4
8	panel 685x126	plywood	2
9	flag	plywood	1

UNLESS OTHERWISE SPECIFIED: DIMENSIONS ARE IN MILLIMETERS WEIGHT ARE IN KILOGRAMM				
	NAME	SIGNATURE	DATE	REVISION
DRAWN	M.Rebase		22.08.2018	
APPV'D				

PART NUMBER / DWG NO.:	LM300-3
DESCRIPTION:	Multi Activity Centre HARBOUR Mini



Tiptiptap OÜ
Veetorni 9,
Jüri alevik, Rae vald,
75301 Harjumaa

MATERIAL:	wood, metal, plastic	A4
WEIGHT:	SCALE: 1:40	SHEET 11 OF 28

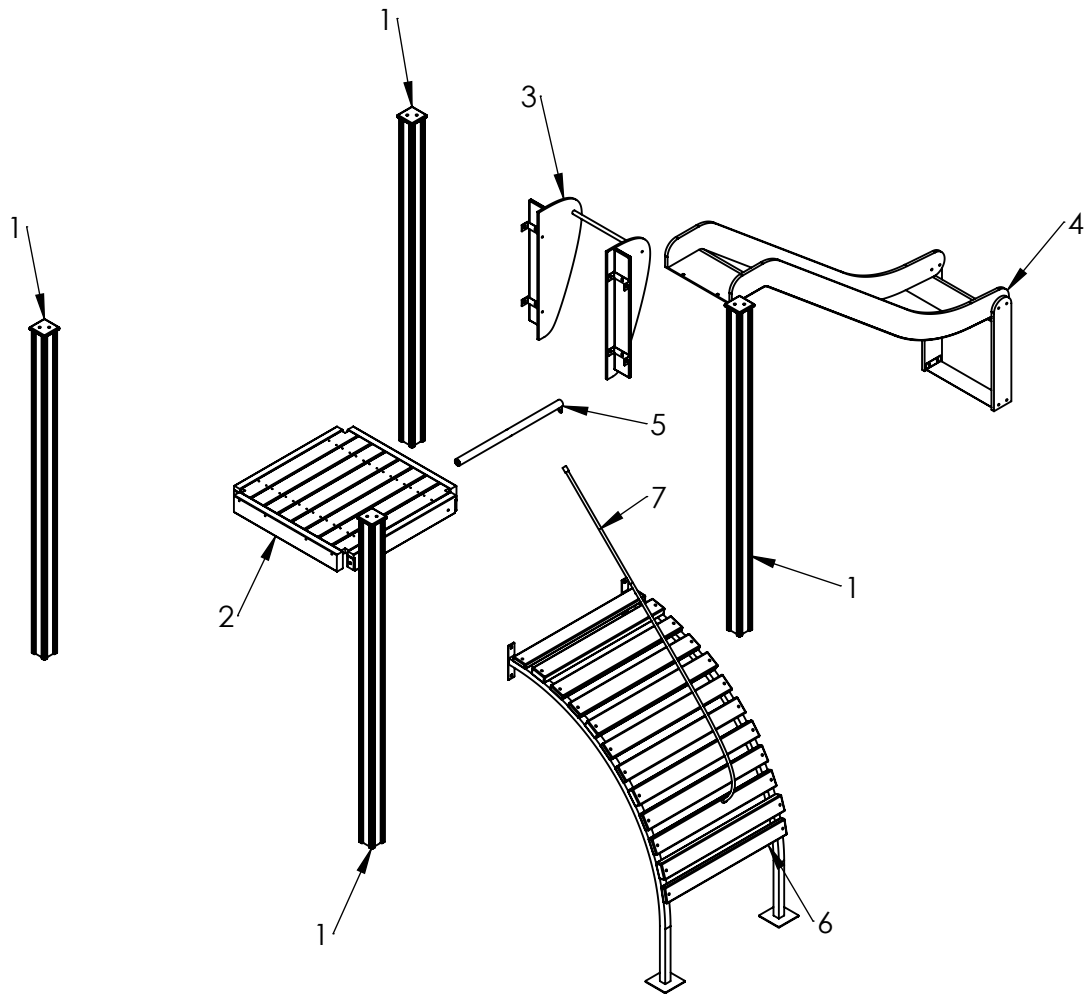
platform F

A

B

C


D



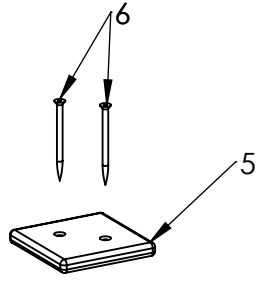
E

F

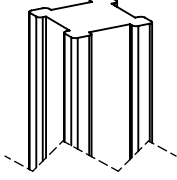
ITEM NO.	PART NUMBER	DESCRIPTION	QTY.
1	post 98x98x2100	laminated wood	4
2	platform	laminated wood, metal	1
3	slide guard block	plywood, painted steel	1
4	slide h_1200	stainless steel, HDPE plastic	1
5	guardrail Ø40x770	painted steel	1
6	curved ramp	wood, metal	1
7	rope	PP covered steel wire	1

UNLESS OTHERWISE SPECIFIED: DIMENSIONS ARE IN MILLIMETERS WEIGHT ARE IN KILOGRAMM				PART NUMBER / DWG NO.: LM300-3	
NAME	SIGNATURE	DATE	REVISION	DESCRIPTION: Multi Activity Centre HARBOUR Mini	
DRAWN M.Rebase		22.08.2018		MATERIAL: wood, metal, plastic	A4
APPV'D				WEIGHT:	SCALE: 1:40
 Tiptiptap OÜ Veetorni 9, Jüri alevik, Rae vald, 75301 Harjumaa				SHEET 12 OF 28	

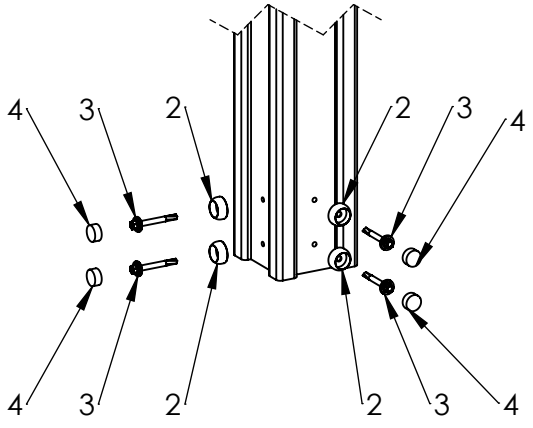
A



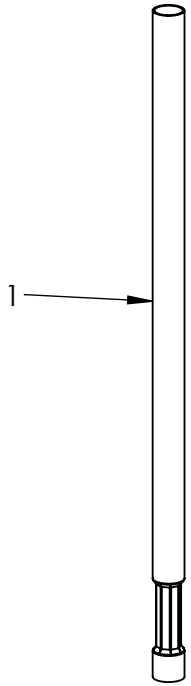
B



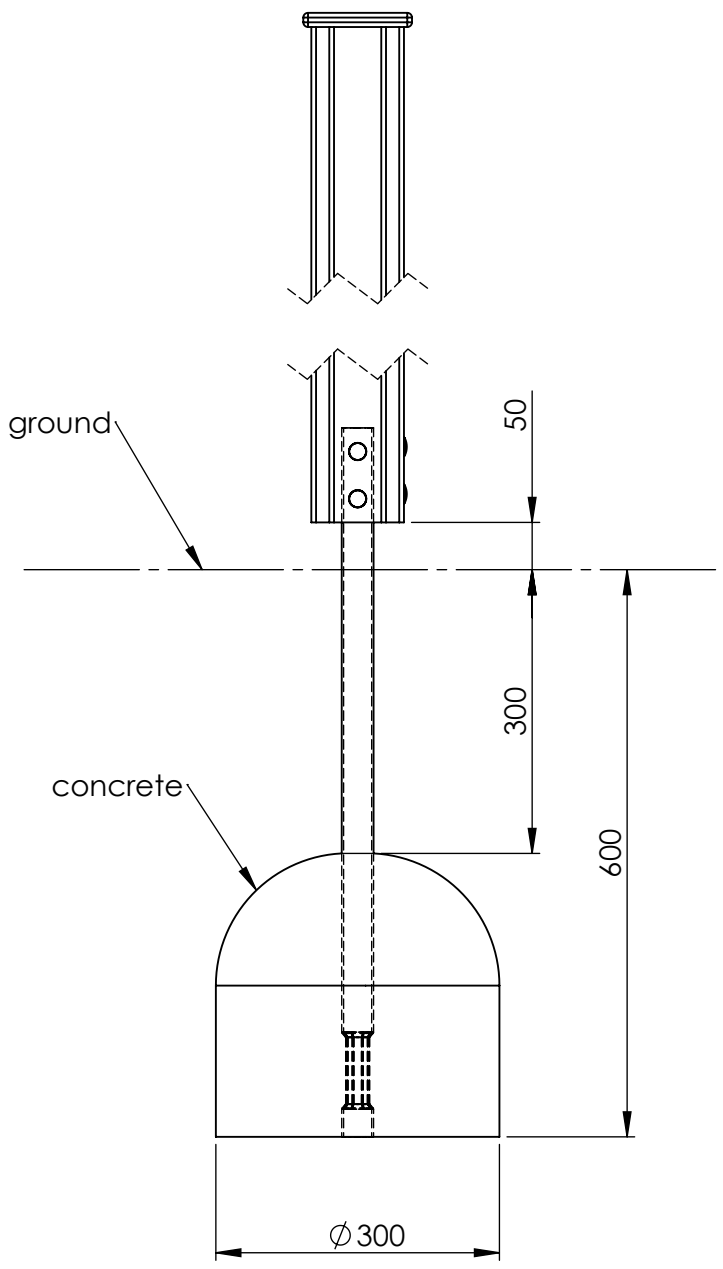
C



D



E



ITEM NO.	PART NUMBER
1	metal ground fixing L_750
2	nut cover M6
3	screw 5,5x50 DIN7504K
4	nut cover cap M6
5	plastic cap 115x115
6	wood screw 6 x 90

UNLESS OTHERWISE SPECIFIED:
 DIMENSIONS ARE IN MILLIMETERS
 WEIGHT ARE IN KILOGRAMM

PART NUMBER / DWG NO.:
LM300-3

	NAME	SIGNATURE	DATE	REVISION
DRAWN	M.Rebase		22.08.2018	
APPV'D				

DESCRIPTION:
Multi Activity Centre HARBOUR Mini connecting metal ground fixing to post

F



Tiptiptap OÜ

Tiptiptap OÜ
 Veetorni 9,
 Jüri alevik, Rae vald,
 75301 Harjumaa

MATERIAL:	wood, metal, plastic	A4
WEIGHT:		SHEET 13 OF 28

SCALE: 1:8

A

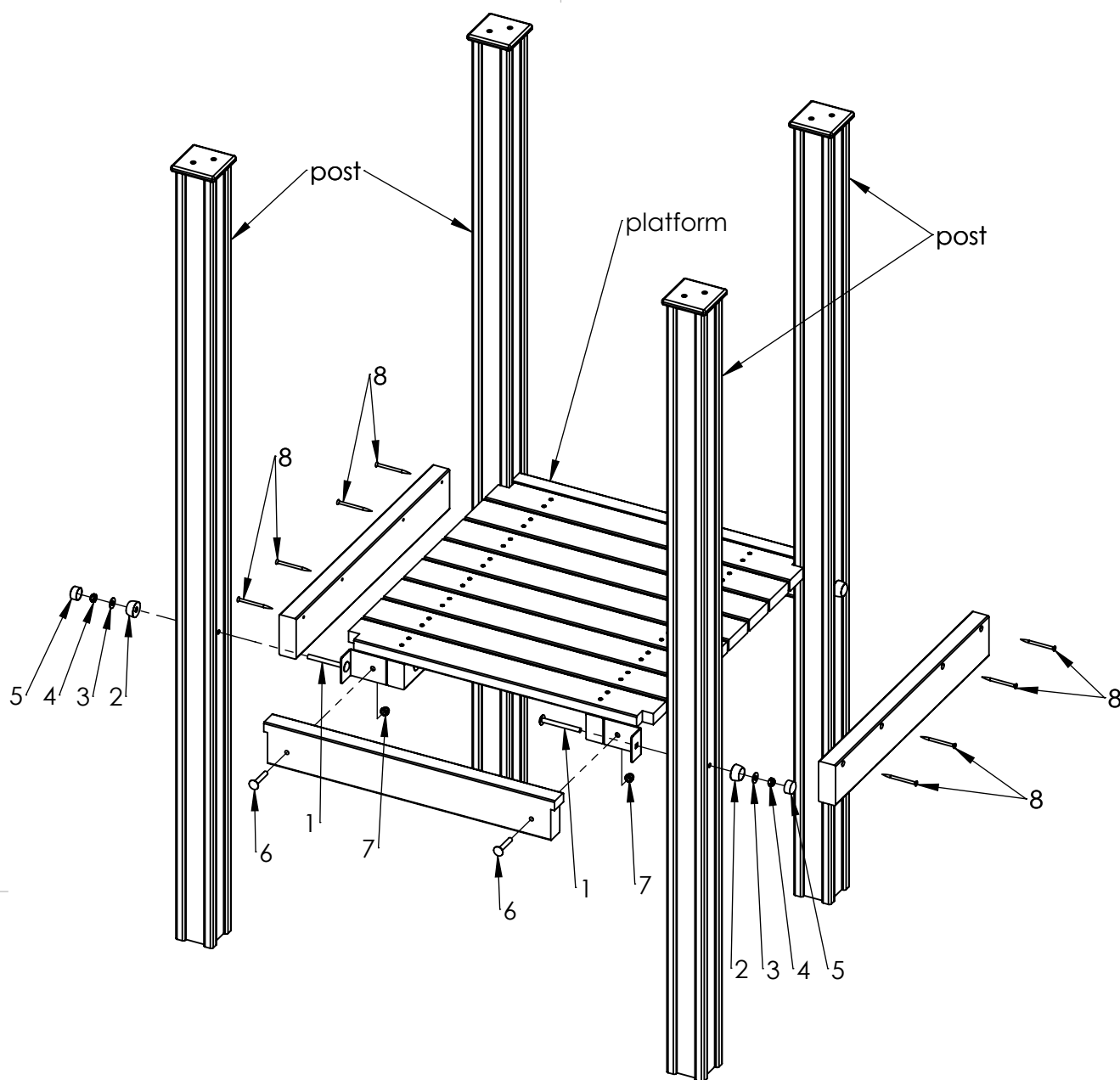
B

C

D

E

F



ITEM NO.	PART NUMBER
1	bolt M10x100 DIN603
2	nut cover M12
3	washer M10 DIN9054
4	nut M10 DIN985
5	nut cover cap M12
6	bolt M10x60 DIN603
7	domed cap nut M10 DIN986
8	wood screw 6 x 90

UNLESS OTHERWISE SPECIFIED:
DIMENSIONS ARE IN MILLIMETERS
WEIGHT ARE IN KILOGRAMM

PART NUMBER / DWG NO.:

LM300-3

	NAME	SIGNATURE	DATE	REVISION
DRAWN	M.Rebase		22.08.2018	
APPV'D				

DESCRIPTION:

Multi Activity Centre HARBOUR Mini
connecting platform to post

MATERIAL:

wood, metal, plastic

A4

WEIGHT:

SCALE: 1:15

SHEET 14 OF 28



Tiptiptap OÜ

Tiptiptap OÜ
Veetorni 9,
Jüri alevik, Rae vald,
75301 Harjumaa

A

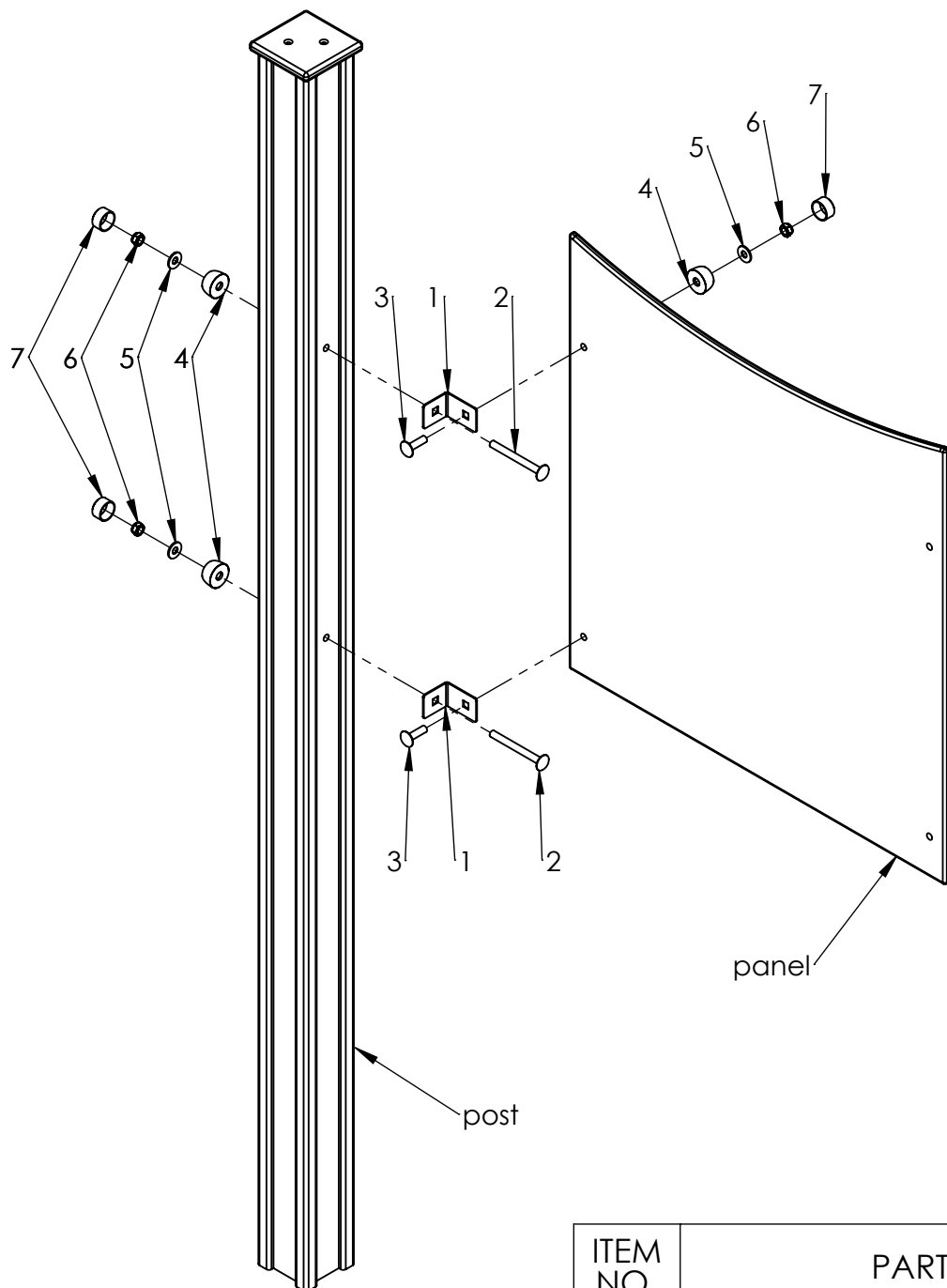
B

C

D

E

F



ITEM NO.	PART NUMBER
1	corner 48x60
2	bolt M10x100 DIN603
3	bolt M10x35 DIN603
4	nut cover M12
5	washer M10 DIN9054
6	nut M10 DIN985
7	nut cover cap M12

UNLESS OTHERWISE SPECIFIED:
DIMENSIONS ARE IN MILLIMETERS
WEIGHT ARE IN KILOGRAMM

PART NUMBER / DWG NO.:

LM300-3

	NAME	SIGNATURE	DATE	REVISION
DRAWN	M.Rebase		22.08.2018	
APPV'D				

DESCRIPTION:

Multi Activity Centre HARBOUR Mini
connecting panel to post

MATERIAL:

wood, metal, plastic

A4

WEIGHT:

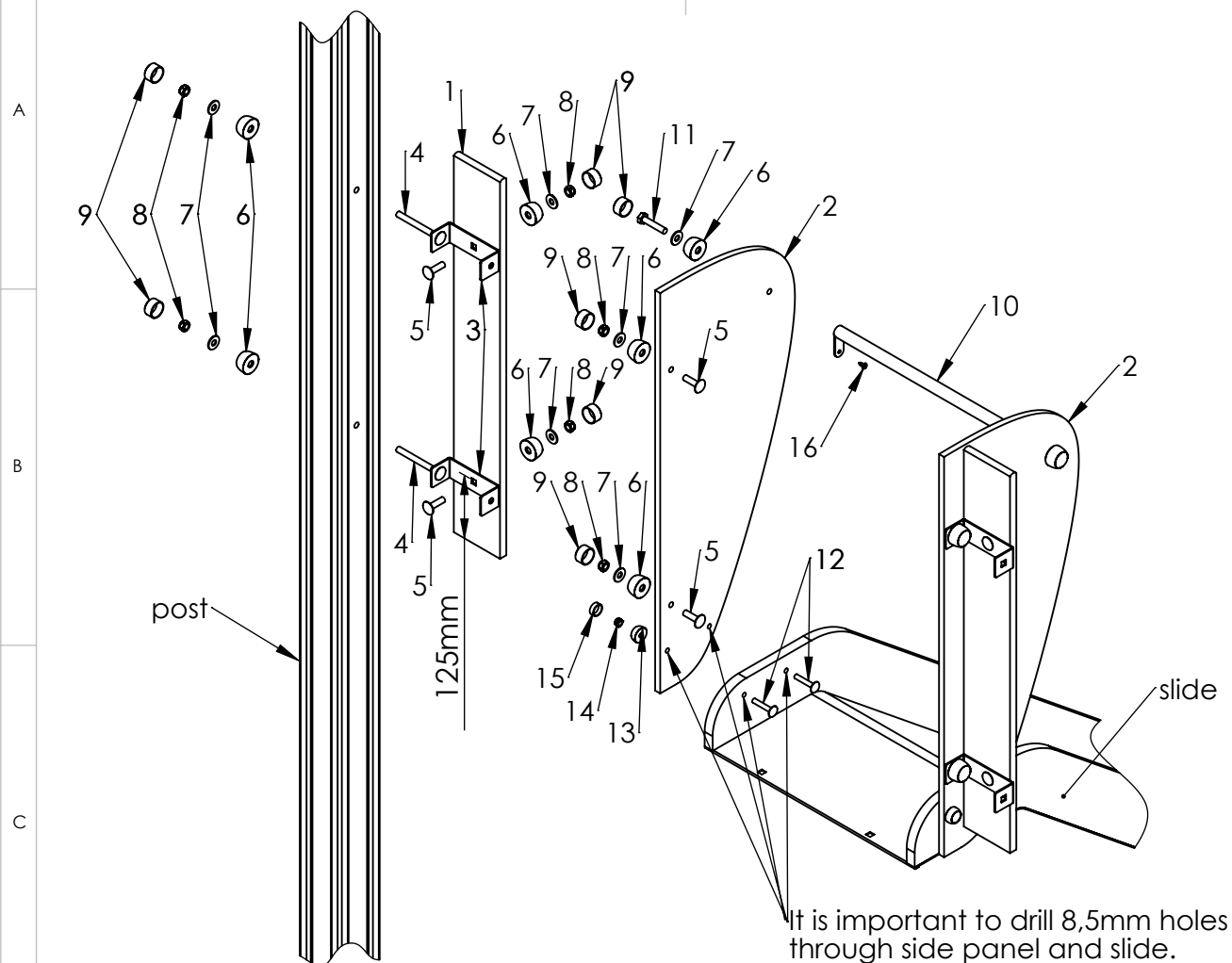
SCALE: 1:10

SHEET 15 OF 28



Tiptap OÜ

Tiptap OÜ
Veetorni 9,
Jüri alevik, Rae vald,
75301 Harjumaa



ITEM NO.	PART NUMBER
1	side panel 110x780
2	slide side panel
3	slide side panel fixing 40x120
4	bolt M10x100 DIN603
5	bolt M10x35 DIN603
6	nut cover M12
7	washer M10 DIN9054
8	nut M10 DIN985
9	nut cover cap M12
10	slide guardrail
11	bolt M10x50 DIN931
12	bolt M8x45 DIN603
13	nut cover M8
14	nut M8 DIN985
15	nut cover cap M8
16	wood screw 4,8x13

UNLESS OTHERWISE SPECIFIED:
DIMENSIONS ARE IN MILLIMETERS
WEIGHT ARE IN KILOGRAMM

PART NUMBER / DWG NO.:

LM300-3

	NAME	SIGNATURE	DATE	REVISION
DRAWN	M.Rebase		22.08.2018	
APPV'D				

DESCRIPTION:

Multi Activity Centre HARBOUR Mini
connecting silde quard block to post

MATERIAL:

wood, metal, plastic

A4

WEIGHT:

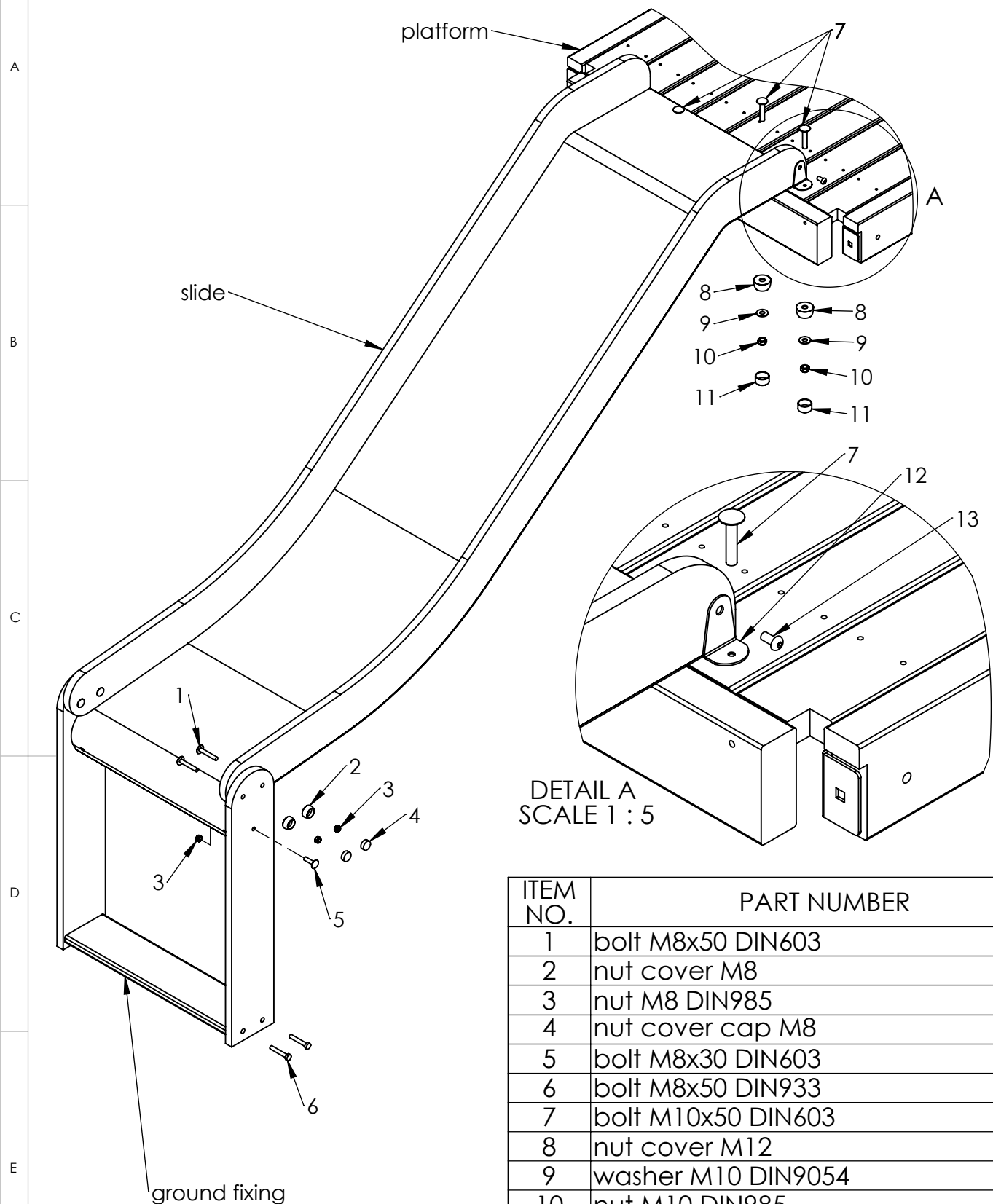
SCALE: 1:12

SHEET 16 OF 28



Tiptap OÜ

Tiptap OÜ
Veetorni 9,
Jüri alevik, Rae vald,
75301 Harjumaa



DETAIL A
SCALE 1 : 5

ITEM NO.	PART NUMBER
1	bolt M8x50 DIN603
2	nut cover M8
3	nut M8 DIN985
4	nut cover cap M8
5	bolt M8x30 DIN603
6	bolt M8x50 DIN933
7	bolt M10x50 DIN603
8	nut cover M12
9	washer M10 DIN9054
10	nut M10 DIN985
11	nut cover cap M12
12	corner 58x30
13	metal screw M8x16 DIN7380

UNLESS OTHERWISE SPECIFIED:
DIMENSIONS ARE IN MILLIMETERS
WEIGHT ARE IN KILOGRAMM

PART NUMBER / DWG NO.:

LM300-3

	NAME	SIGNATURE	DATE	REVISION
DRAWN	M.Rebase		22.08.2018	
APPV'D				

DESCRIPTION:

Multi Activity Centre HARBOUR Mini
connecting slide to platform

MATERIAL:

wood, metal, plastic

A4

WEIGHT:

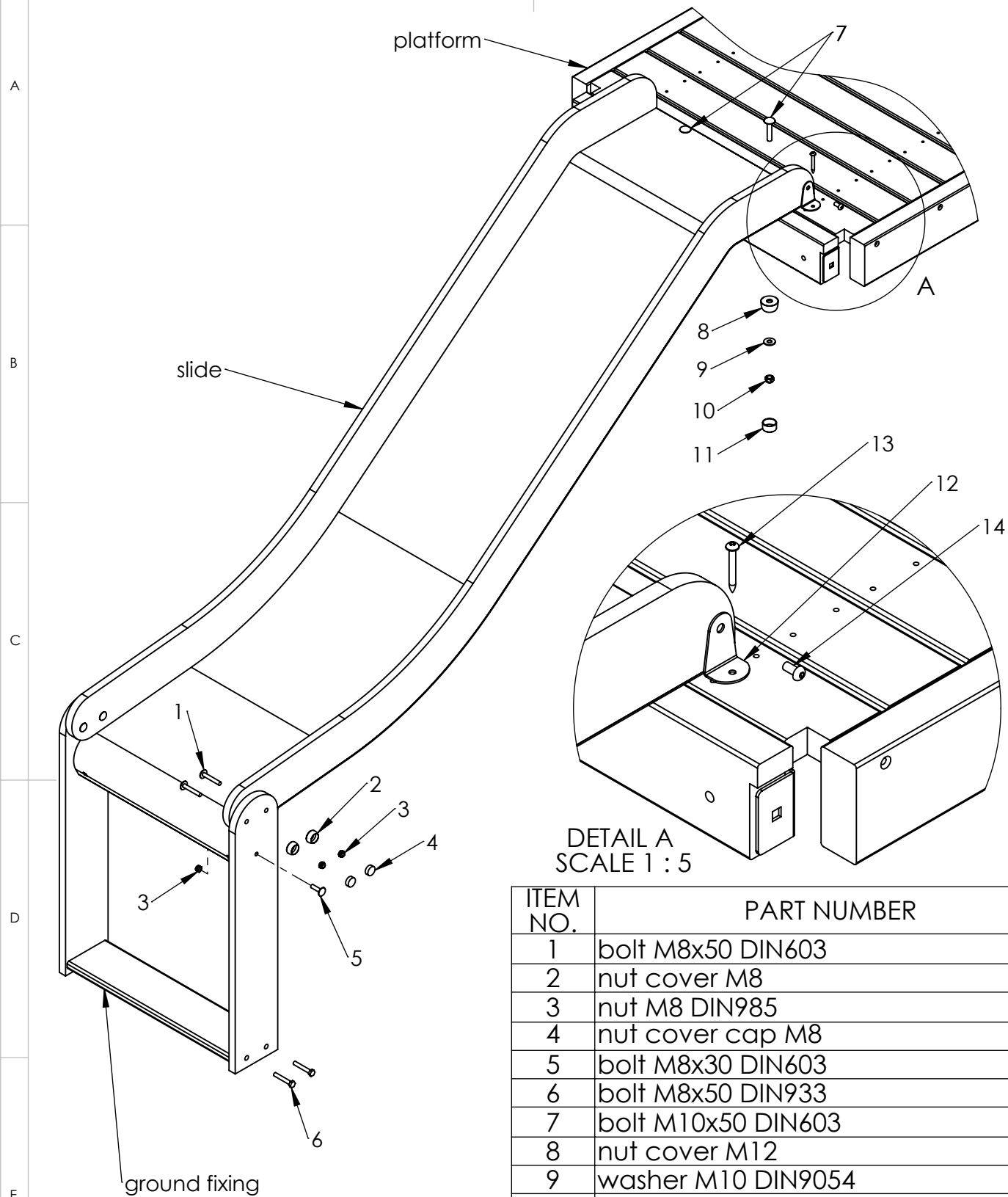
SCALE: 1:12

SHEET 17 OF 28



Tiptap OÜ

Tiptap OÜ
Veetorni 9,
Jüri alevik, Rae vald,
75301 Harjumaa



DETAIL A
SCALE 1 : 5

ITEM NO.	PART NUMBER
1	bolt M8x50 DIN603
2	nut cover M8
3	nut M8 DIN985
4	nut cover cap M8
5	bolt M8x30 DIN603
6	bolt M8x50 DIN933
7	bolt M10x50 DIN603
8	nut cover M12
9	washer M10 DIN9054
10	nut M10 DIN985
11	nut cover cap M12
12	corner 58x30
13	screw 4,8x40
14	metal screw M8x16 DIN7380

UNLESS OTHERWISE SPECIFIED:
DIMENSIONS ARE IN MILLIMETERS
WEIGHT ARE IN KILOGRAMM

PART NUMBER / DWG NO.:

LM300-3

	NAME	SIGNATURE	DATE	REVISION
DRAWN	M.Rebase		22.08.2018	
APPV'D				

DESCRIPTION:

Multi Activity Centre HARBOUR Mini
connecting slide to platform

MATERIAL:

wood, metal, plastic

A4

WEIGHT:

SCALE: 1:12

SHEET 18 OF 28



Tiptiptap OÜ

Tiptiptap OÜ
Veetorni 9,
Jüri alevik, Rae vald,
75301 Harjumaa

A

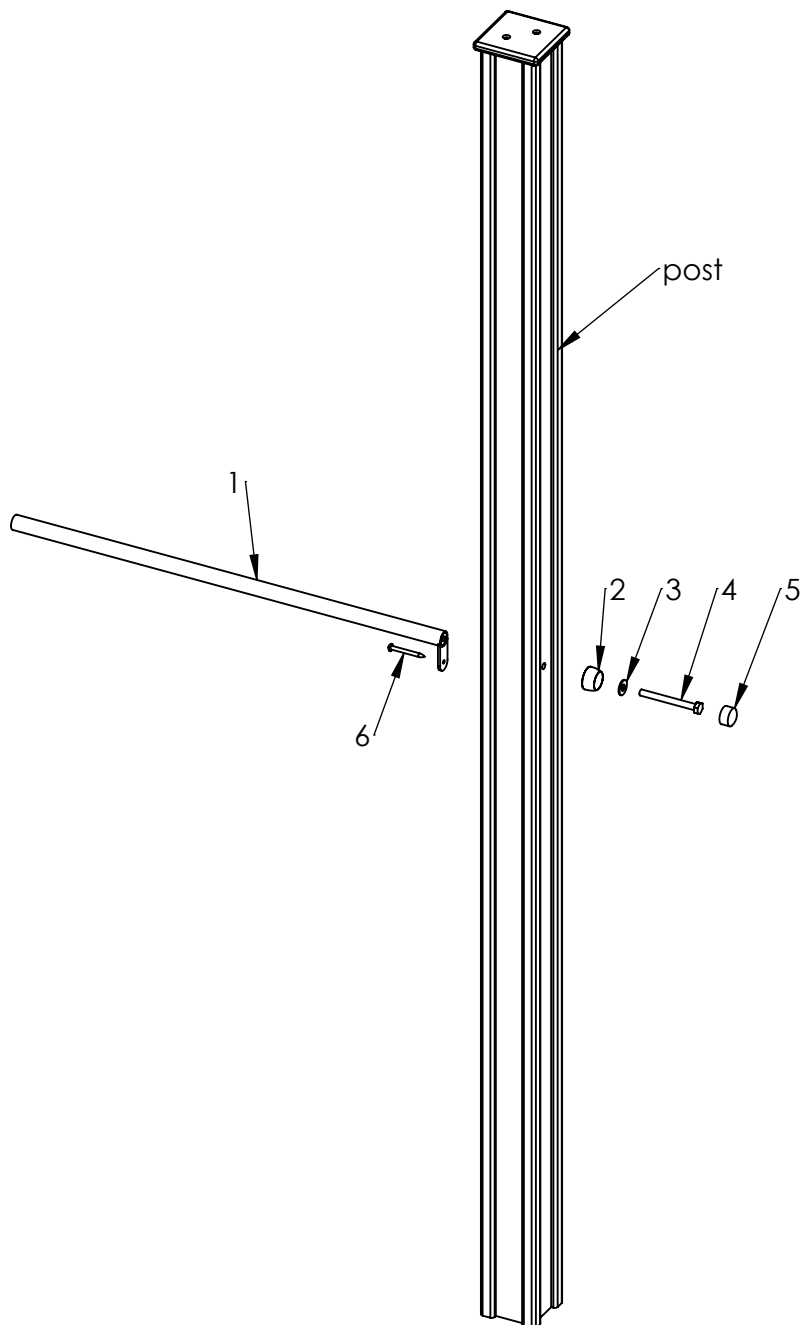
B

C

D

E

F



ITEM NO.	PART NUMBER
1	guardrail ϕ 25x770
2	nut cover M12
3	washer M10 DIN9054
4	bolt M10x100 DIN931
5	nut cover cap M12
6	screw 5,0x40

UNLESS OTHERWISE SPECIFIED:
DIMENSIONS ARE IN MILLIMETERS
WEIGHT ARE IN KILOGRAMM

	NAME	SIGNATURE	DATE	REVISION
DRAWN	M.Rebase		22.08.2018	
APPV'D				

PART NUMBER / DWG NO.:

LM300-3
connecting guardrail to post

DESCRIPTION:

Multi Activity Centre HARBOUR Mini

MATERIAL:

wood, metal, plastic

A4

WEIGHT:

SCALE: 1:12

SHEET 19 OF 28



Tiptiptap OÜ

Tiptiptap OÜ
Veetorni 9,
Jüri alevik, Rae vald,
75301 Harjumaa

A

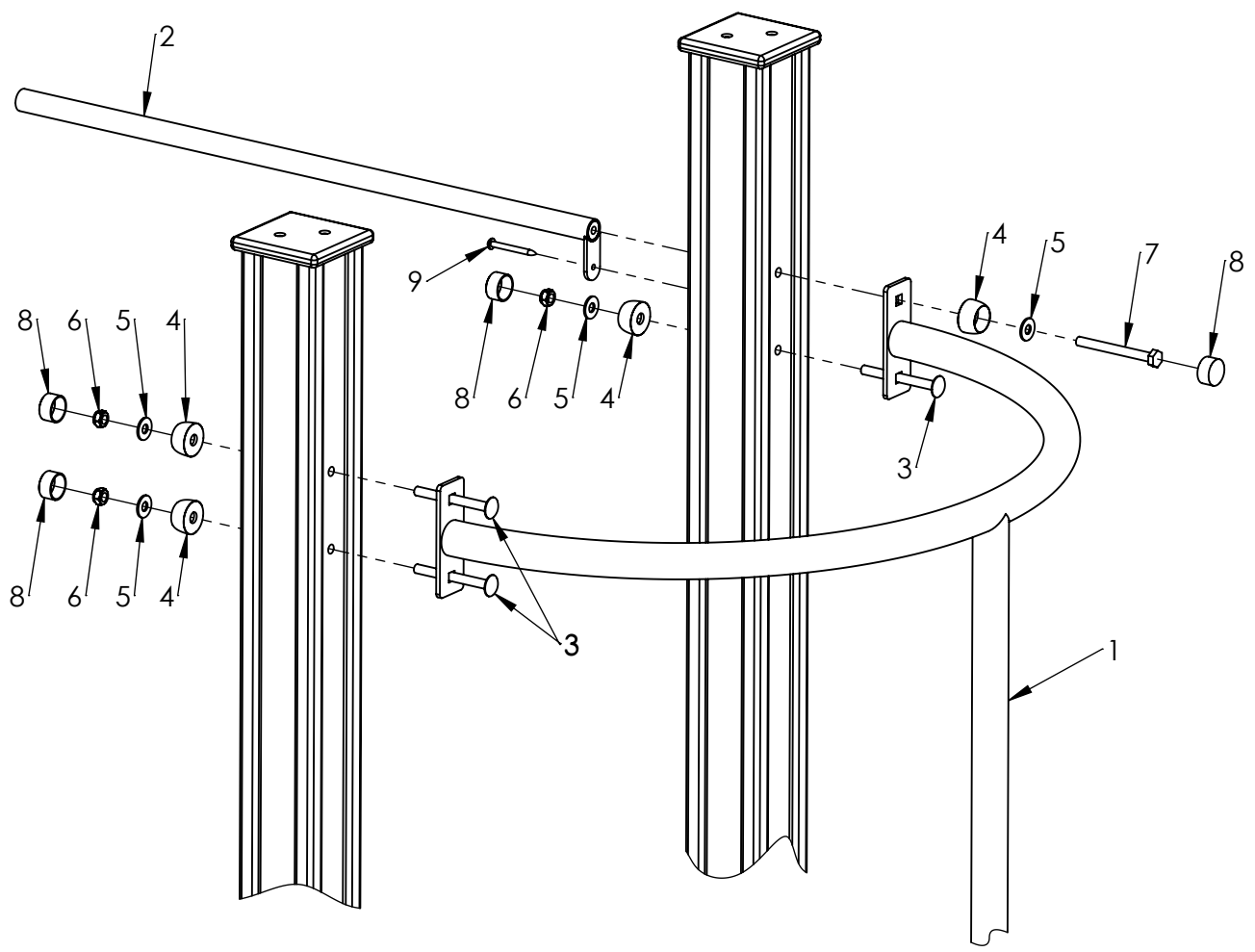
B

C

D

E

F



ITEM NO.	PART NUMBER
1	climbing pole
2	guardrail ϕ 25x770
3	bolt M10x100 DIN603
4	nut cover M12
5	washer M10 DIN9054
6	nut M10 DIN985
7	bolt M10x100 DIN931
8	nut cover cap M12
9	screw 5,0x40

UNLESS OTHERWISE SPECIFIED:
 DIMENSIONS ARE IN MILLIMETERS
 WEIGHT ARE IN KILOGRAMM

	NAME	SIGNATURE	DATE	REVISION
DRAWN	M.Rebase		22.08.2018	
APPV'D				

PART NUMBER / DWG NO.:
LM300-3

DESCRIPTION:
**Multi Activity Centre HARBOUR Mini
 connecting climbing pole and quardrail to post**



Tiptap OÜ

Tiptap OÜ
 Veetorni 9,
 Jüri alevik, Rae vald,
 75301 Harjumaa

MATERIAL: wood, metal, plastic

A4

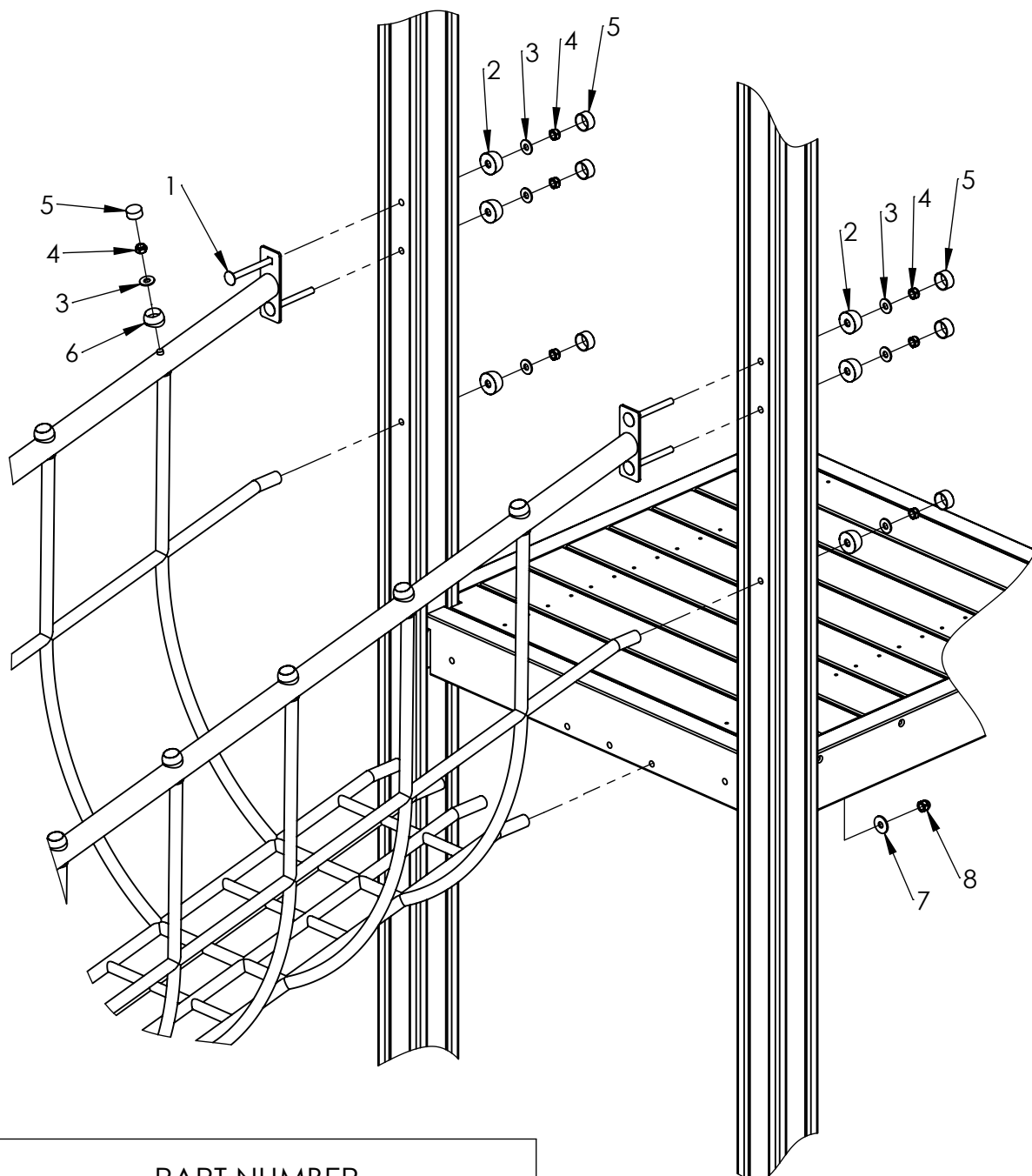
WEIGHT: SCALE: 1:8 SHEET 20 OF 28

A

B

C

D



ITEM NO.	PART NUMBER
1	bolt M10x100 DIN603
2	nut cover M12
3	washer M10 DIN9054
4	nut M10 DIN985
5	nut cover cap M12
6	nut cover M12 for beam
7	washer M10 DIN9021
8	domed cap nut M10 DIN986

UNLESS OTHERWISE SPECIFIED:
DIMENSIONS ARE IN MILLIMETERS
WEIGHT ARE IN KILOGRAMM

PART NUMBER / DWG NO.:

LM300-3

	NAME	SIGNATURE	DATE	REVISION
DRAWN	M.Rebase		22.08.2018	
APPV'D				

DESCRIPTION:

Multi Activity Centre HARBOUR Mini
connecting bridge to post and platform

MATERIAL:

wood, metal, plastic

A4

WEIGHT:

SCALE: 1:11

SHEET 21 OF 28



Tiptiptap OÜ

Tiptiptap OÜ
Veetorni 9,
Jüri alevik, Rae vald,
75301 Harjumaa

F

A

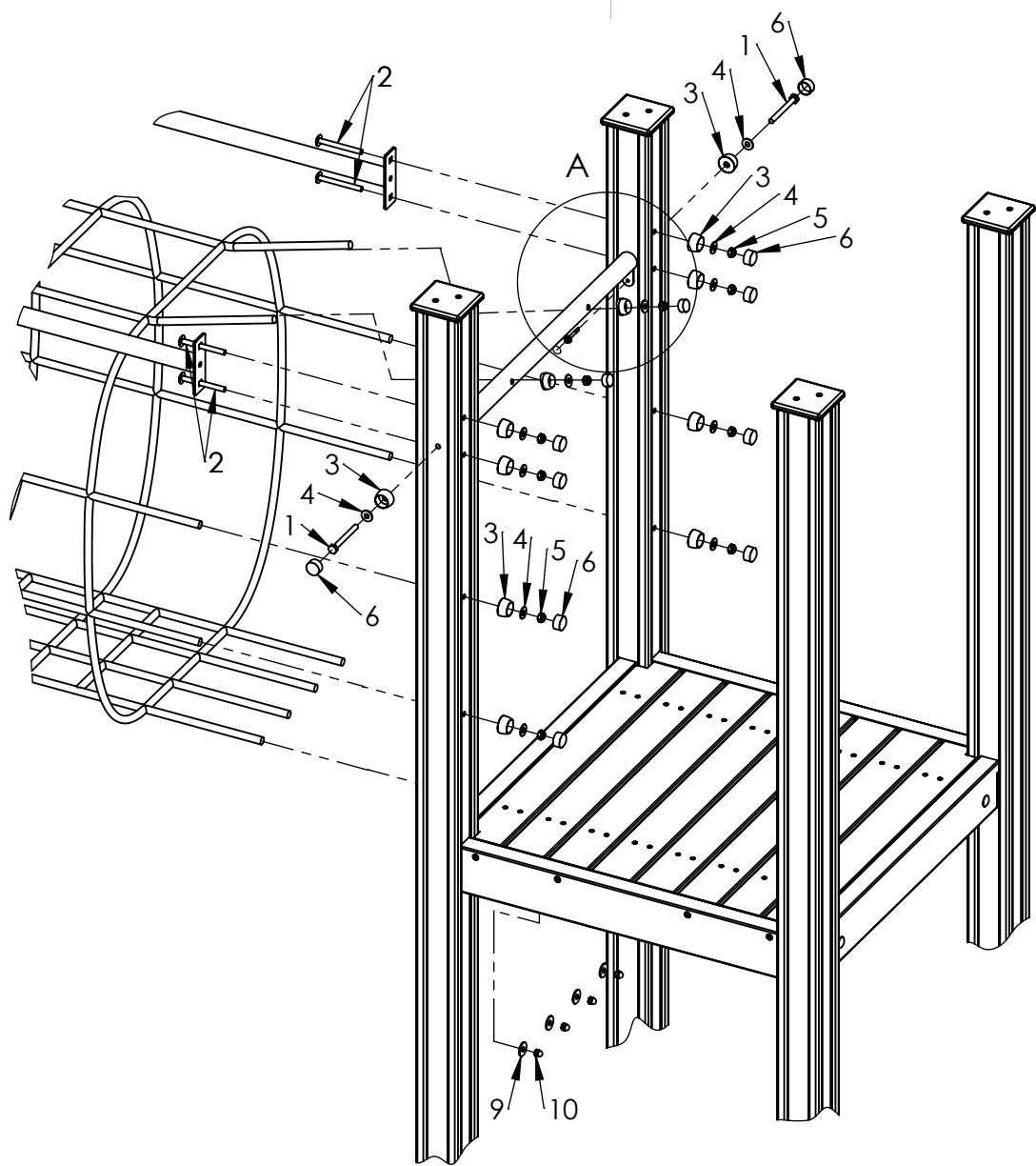
B

C

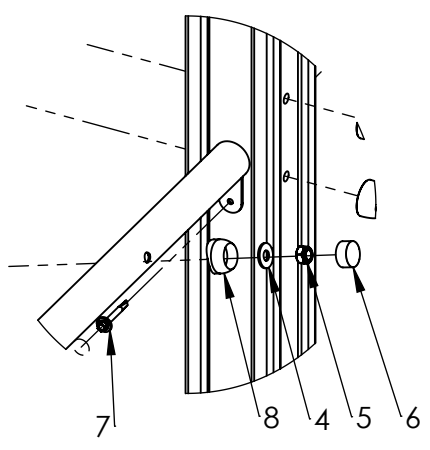
D

E

F



DETAIL A
SCALE 2 : 15



ITEM NO.	PART NUMBER
1	bolt M10x100 DIN931
2	bolt M10x100 DIN603
3	nut cover M12
4	washer M10 DIN9054
5	nut M10 DIN985
6	nut cover cap M12
7	screw 5,0x40
8	nut cover M12 for beam
9	washer M10 DIN9021
10	domed cap nut M8 DIN986

UNLESS OTHERWISE SPECIFIED:
DIMENSIONS ARE IN MILLIMETERS
WEIGHT ARE IN KILOGRAMM

NAME	SIGNATURE	DATE	REVISION
DRAWN M.Rebase		22.08.2018	
APPV'D			

PART NUMBER / DWG NO.:
LM300-3

DESCRIPTION:
**Multi Activity Centre HARBOUR Mini
connecting rope tunnel to post and platform**



Tiptiptap OÜ

Tiptiptap OÜ
Veetorni 9,
Jüri alevik, Rae vald,
75301 Harjumaa

MATERIAL: wood, metal, plastic

A4

WEIGHT: SCALE: 1:15 SHEET 22 OF 28

1 2 3 4 5 6

A

B

C

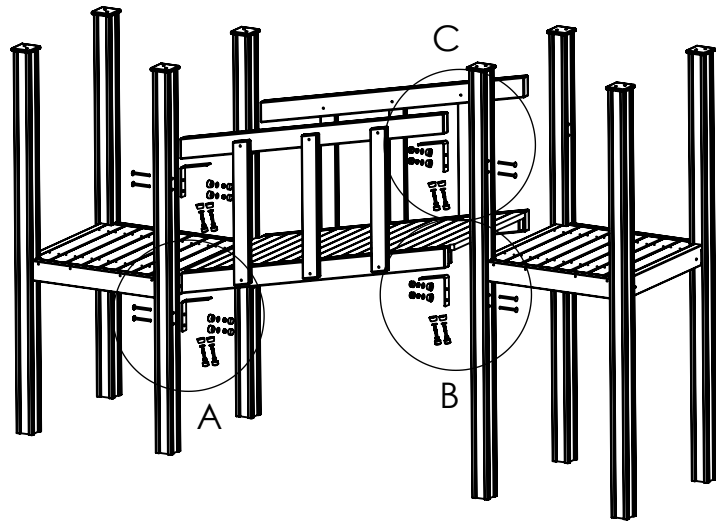
D

A

B

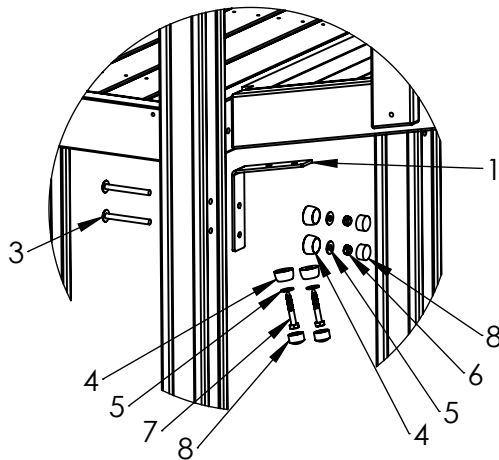
C

D

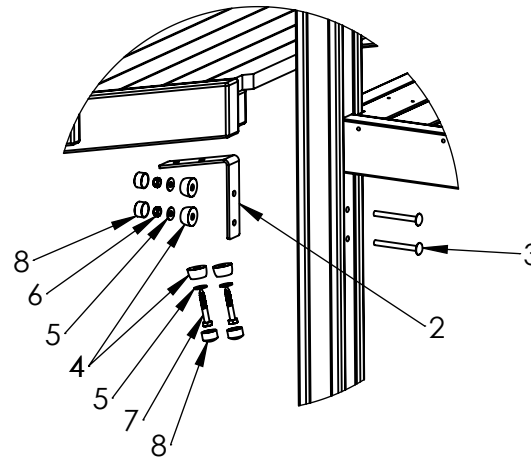


ITEM NO.	PART NUMBER
1	corner 160x160x45 102°
2	corner 160x160x45 78°
3	bolt M10x100 DIN603
4	nut cover M12
5	washer M10 DIN9054
6	nut M10 DIN985
7	wood screw 10x70 DIN571
8	nut cover cap M12

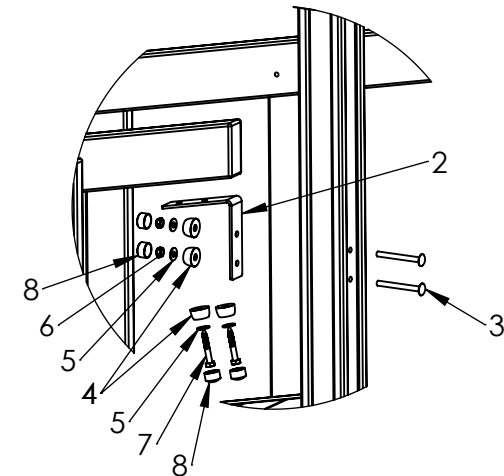
DETAIL A
SCALE 1 : 15



DETAIL B
SCALE 1 : 15



DETAIL C
SCALE 1 : 15



UNLESS OTHERWISE SPECIFIED:
DIMENSIONS ARE IN MILLIMETERS
WEIGHT ARE IN KILOGRAMM

	NAME	SIGNATURE	DATE	REVISION
DRAWN	M.Rebase		22.08.2018	
APPV'D				

PART NUMBER / DWG NO.:
LM300-3

DESCRIPTION:
**Multi Activity Centre HARBOUR Mini
connecting bridge to post**

MATERIAL:
wood, metal, plastic

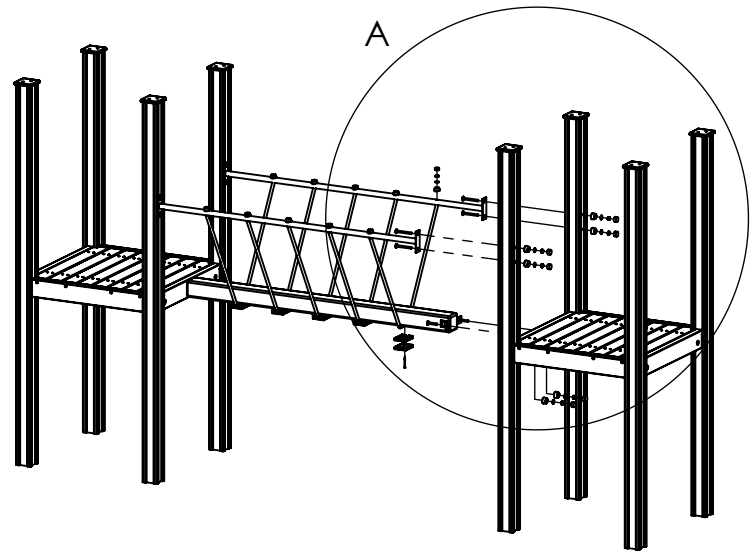
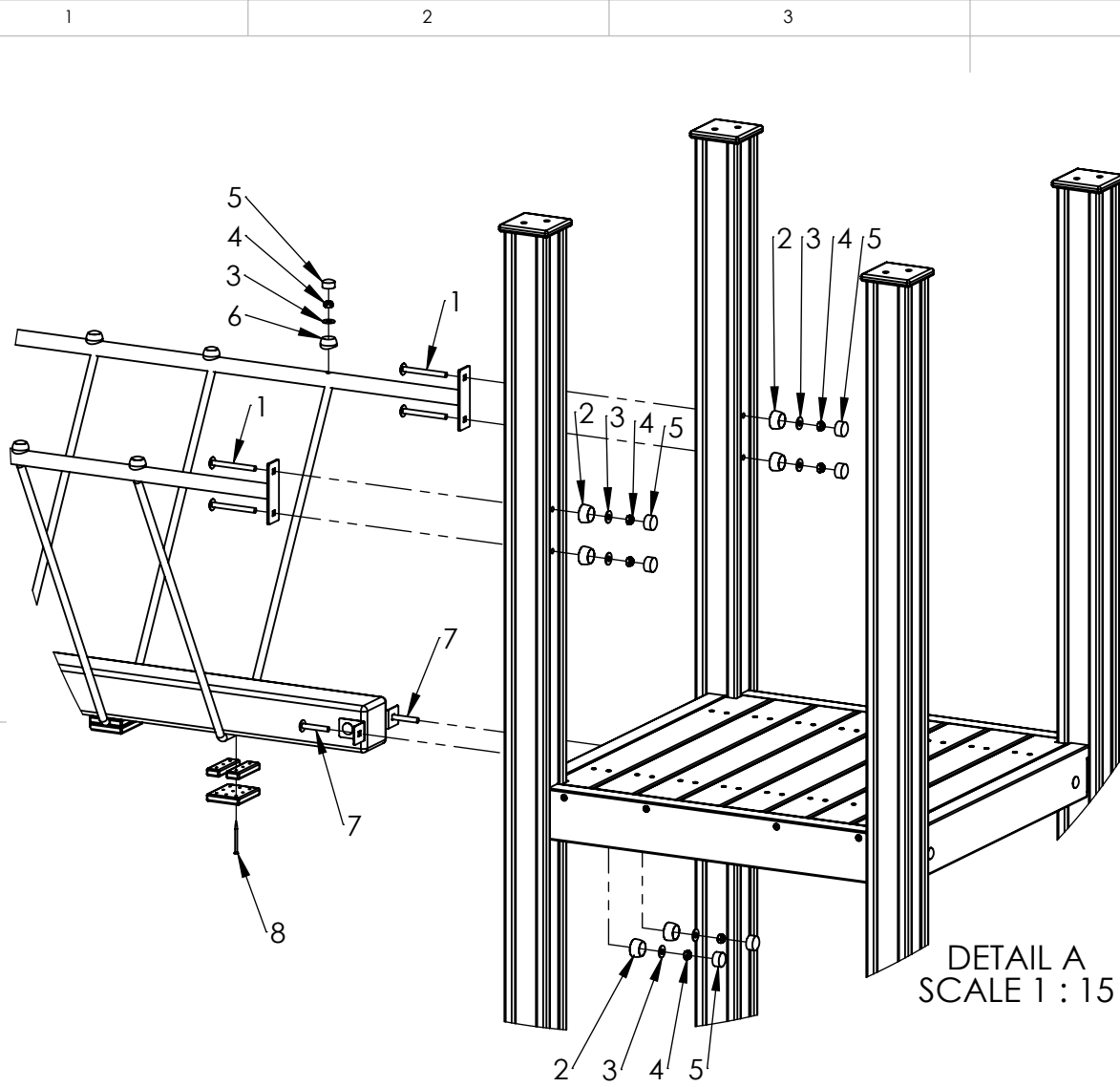
WEIGHT: SCALE: 1:40 SHEET 23 OF 28



Tiptaptap OÜ
Tiptaptap OÜ
Veetorni 9,
Jüri alevik, Rae vald,
75301 Harjumaa

1

2



ITEM NO.	PART NUMBER
1	bolt M10x100 DIN603
2	nut cover M12
3	washer M10 DIN9054
4	nut M10 DIN985
5	nut cover cap M12
6	nut cover M12 for beam
7	bolt M10x60 DIN603
8	wood screw 4,5 x 70

UNLESS OTHERWISE SPECIFIED:
DIMENSIONS ARE IN MILLIMETERS
WEIGHT ARE IN KILOGRAMM

	NAME	SIGNATURE	DATE	REVISION
DRAWN	M.Rebase		22.08.2018	
APPV'D				

Tiptiptap OÜ
Tiptiptap OÜ
Veetorni 9,
Jüri alevik, Rae vald,
75301 Harjumaa

PART NUMBER / DWG NO.:
LM300-3

DESCRIPTION:
**Multi Activity Centre HARBOUR Mini
connecting bridge to post and platform**

MATERIAL:	wood, metal, plastic	A4
WEIGHT:	SCALE: 1:45	SHEET 24 OF 28

A

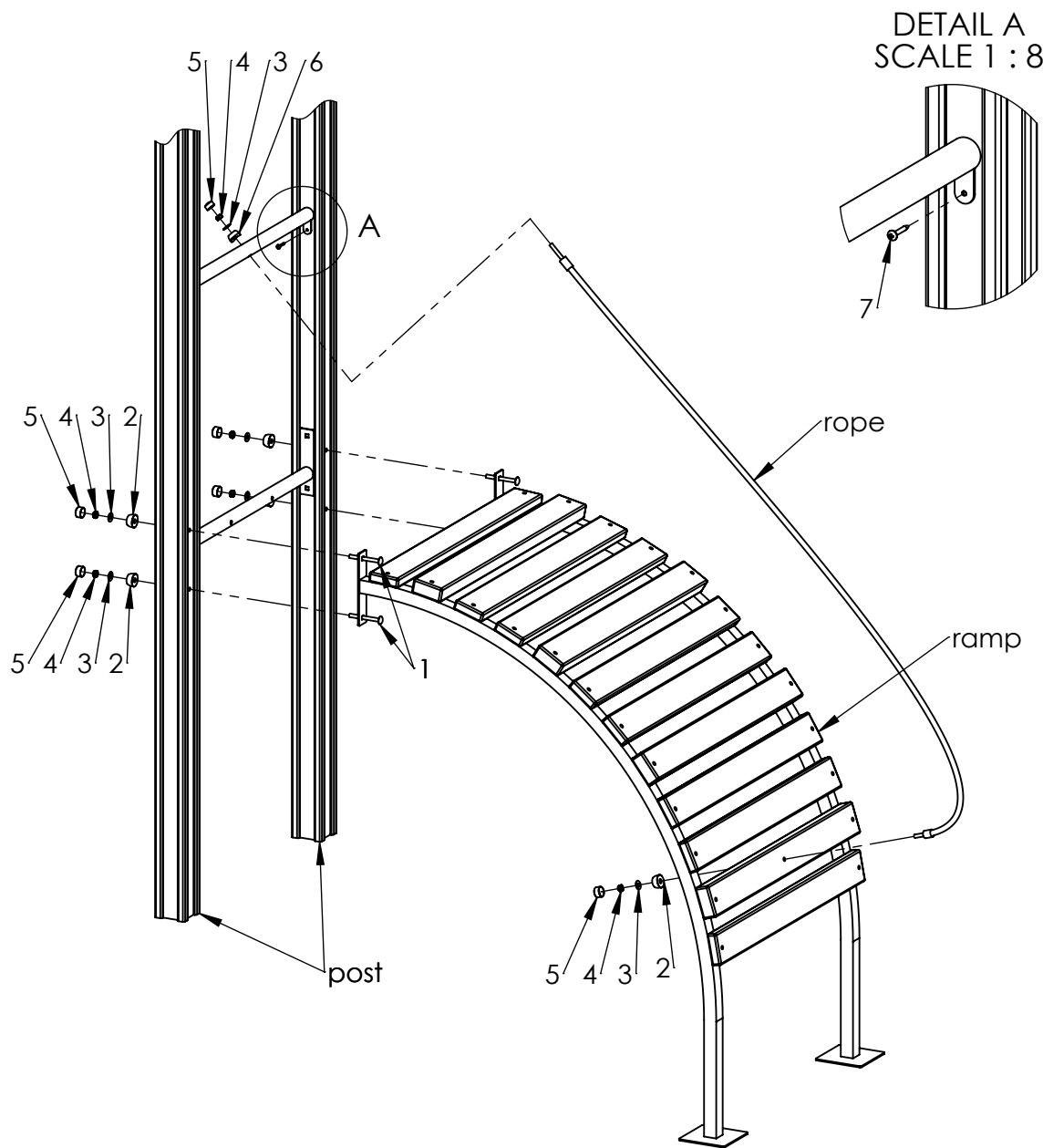
B

C

D

E

F



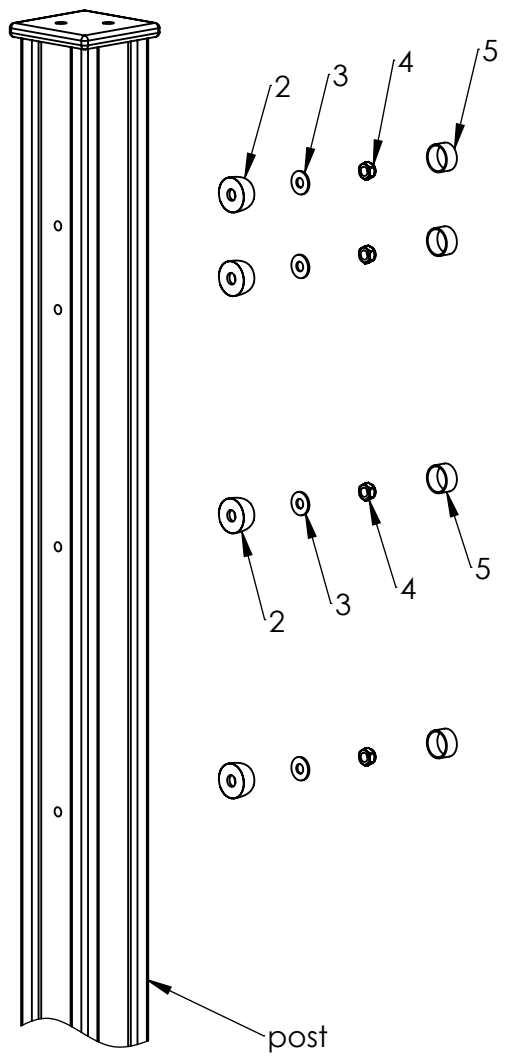
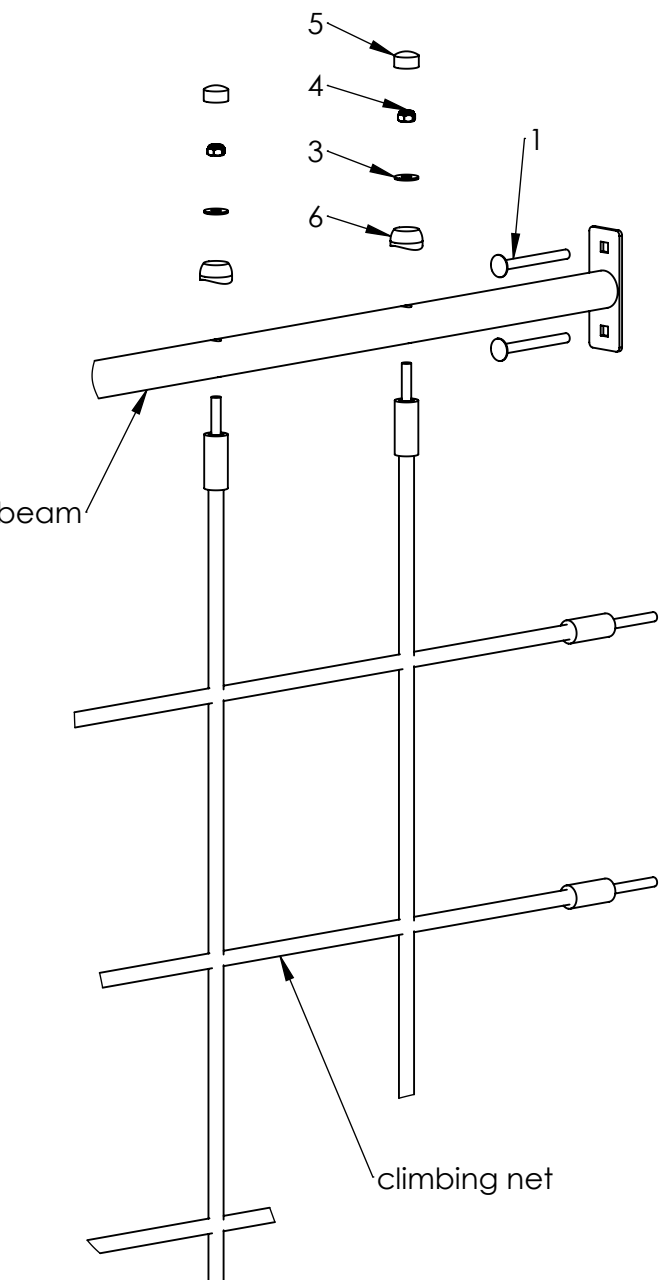
ITEM NO.	PART NUMBER
1	bolt M10x100 DIN603
2	nut cover M12
3	washer M10 DIN9054
4	nut M10 DIN985
5	nut cover cap M12
6	nut cover M12 for beam
7	screw 5x40

UNLESS OTHERWISE SPECIFIED: DIMENSIONS ARE IN MILLIMETERS WEIGHT ARE IN KILOGRAMM				
	NAME	SIGNATURE	DATE	REVISION
DRAWN	M.Rebase		22.08.2018	
APPV'D				

PART NUMBER / DWG NO.:	LM300-3
DESCRIPTION:	Multi Activity Centre HARBOUR Mini connecting ramp to post


Tiptaptap OÜ
 Tiptaptap OÜ
 Veetorni 9,
 Jüri alevik, Rae vald,
 75301 Harjumaa

MATERIAL:	wood, metal, plastic	A4
WEIGHT:	SCALE: 1:20	SHEET 25 OF 28



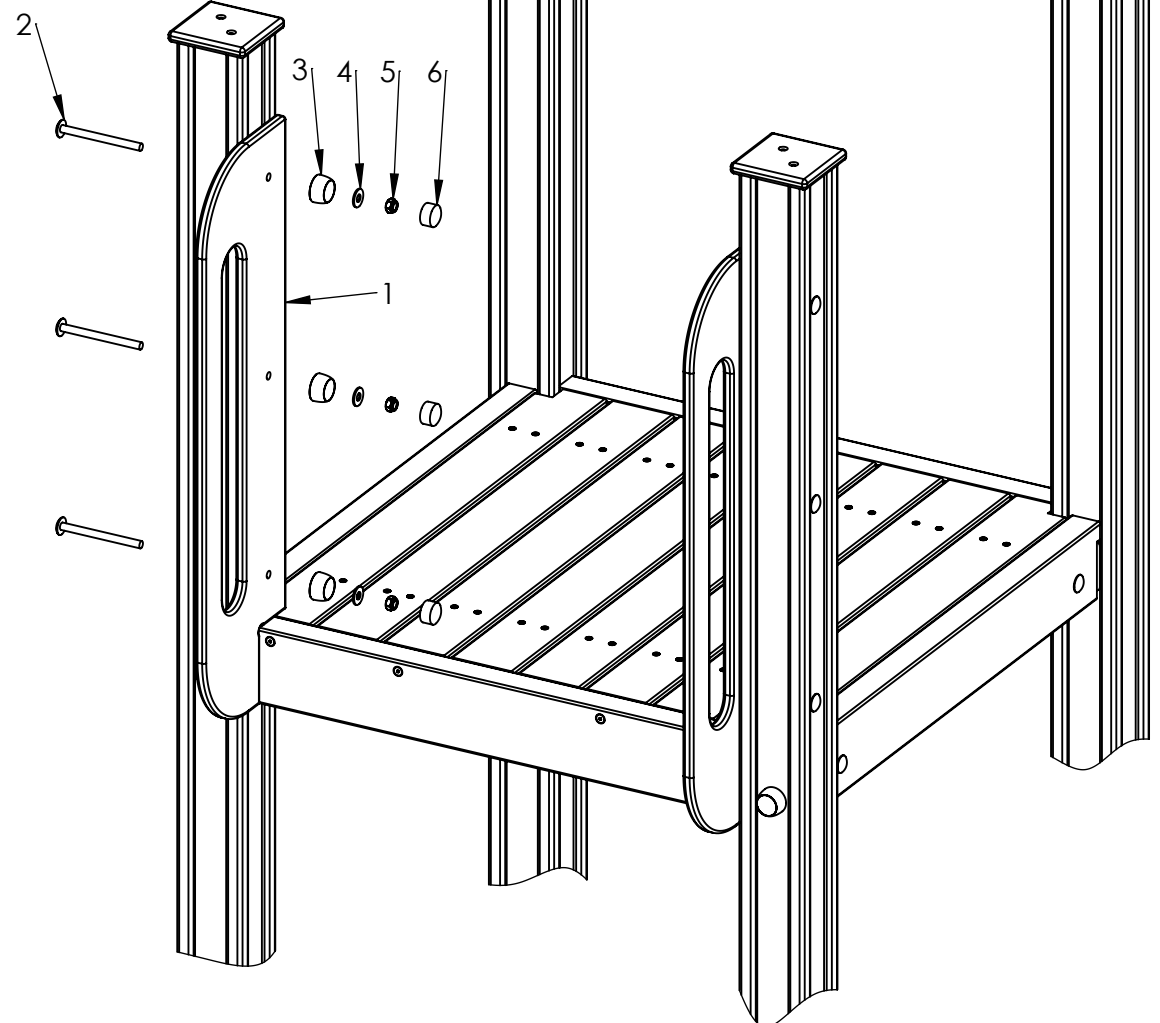
ITEM NO.	PART NUMBER
1	bolt M10x100 DIN603
2	nut cover M12
3	washer M10 DIN9054
4	nut M10 DIN985
5	nut cover cap M12
6	nut cover M12 for beam

UNLESS OTHERWISE SPECIFIED:
DIMENSIONS ARE IN MILLIMETERS
WEIGHT ARE IN KILOGRAMM

	NAME	SIGNATURE	DATE	REVISION
DRAWN	M.Rebase		22.08.2018	
APPV'D				

PART NUMBER / DWG NO.:		LM300-3	
DESCRIPTION:			
Multi Activity Centre HARBOUR Mini connecting beam and climbing net to post			
MATERIAL:		wood, metal, plastic	A4
WEIGHT:		SCALE: 1:8	SHEET 26 OF 28

 **Tiptaptap** OÜ
Veetorni 9,
Jüri alevik, Rae vald,
75301 Harjumaa



ITEM NO.	PART NUMBER
1	handle
2	bolt M10x120 DIN603
3	nut cover M12
4	washer M10 DIN9054
5	nut M10 DIN985
6	nut cover cap M12

UNLESS OTHERWISE SPECIFIED: DIMENSIONS ARE IN MILLIMETERS WEIGHT ARE IN KILOGRAMM				
	NAME	SIGNATURE	DATE	REVISION
DRAWN	M.Rebase		22.08.2018	
APPV'D				

PART NUMBER / DWG NO.:		LM300-3	
DESCRIPTION: Multi Activity Centre HARBOUR Mini connecting handle to post			
MATERIAL:		wood, metal, plastic	A4
WEIGHT:		SCALE: 1:10	SHEET 27 OF 28


Tiptiptap OÜ
 Veetorni 9,
 Jüri alevik, Rae vald,
 75301 Harjumaa

A

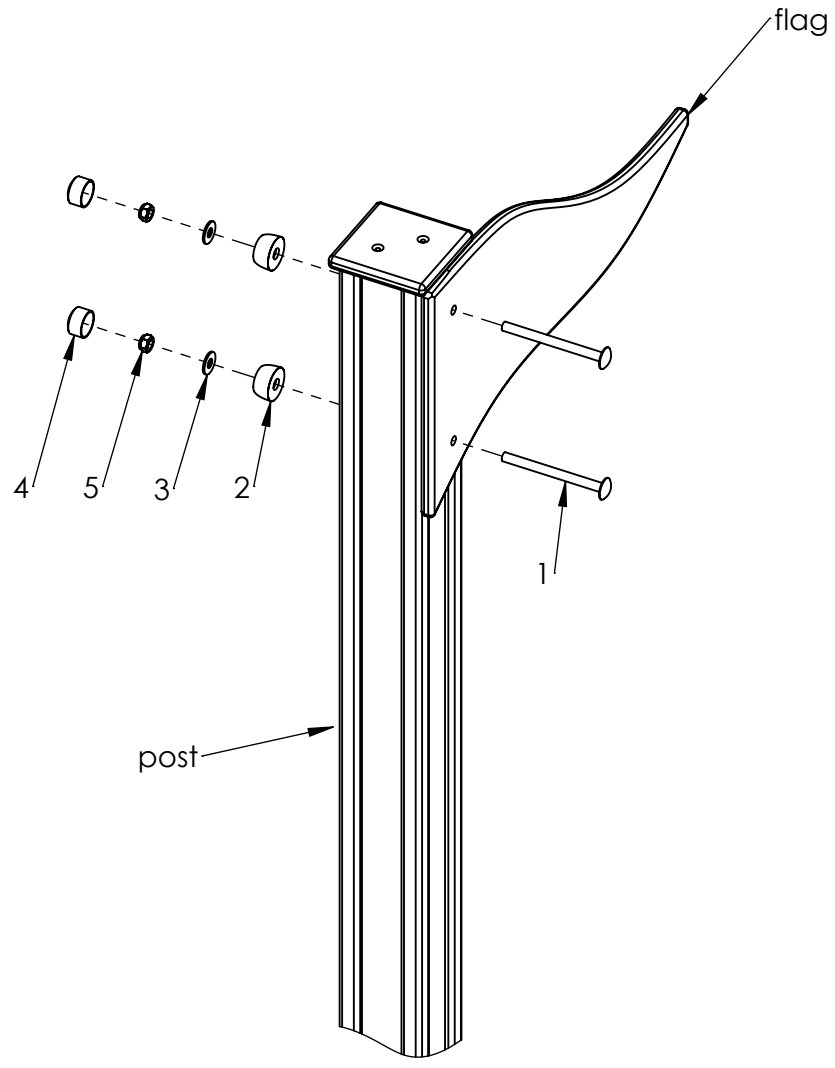
B

C

D

E

F



ITEM NO.	PART NUMBER
1	bolt M10x120 DIN603
2	nut cover M12
3	washer M10 DIN9054
4	nut cover cap M12
5	nut M10 DIN985

UNLESS OTHERWISE SPECIFIED: DIMENSIONS ARE IN MILLIMETERS WEIGHT ARE IN KILOGRAMM				
	NAME	SIGNATURE	DATE	REVISION
DRAWN	M.Rebase		22.08.2018	
APPV'D				

PART NUMBER / DWG NO.:	LM300-3
------------------------	---------

DESCRIPTION:	Multi Activity Centre HARBOUR Mini connecting flag to post
--------------	---



Tiptiptap OÜ
Veetorni 9,
Jüri alevik, Rae vald,
75301 Harjumaa

MATERIAL:	wood, metal, plastic	A4
WEIGHT:		SCALE: 1:8
		SHEET 28 OF 28