

A

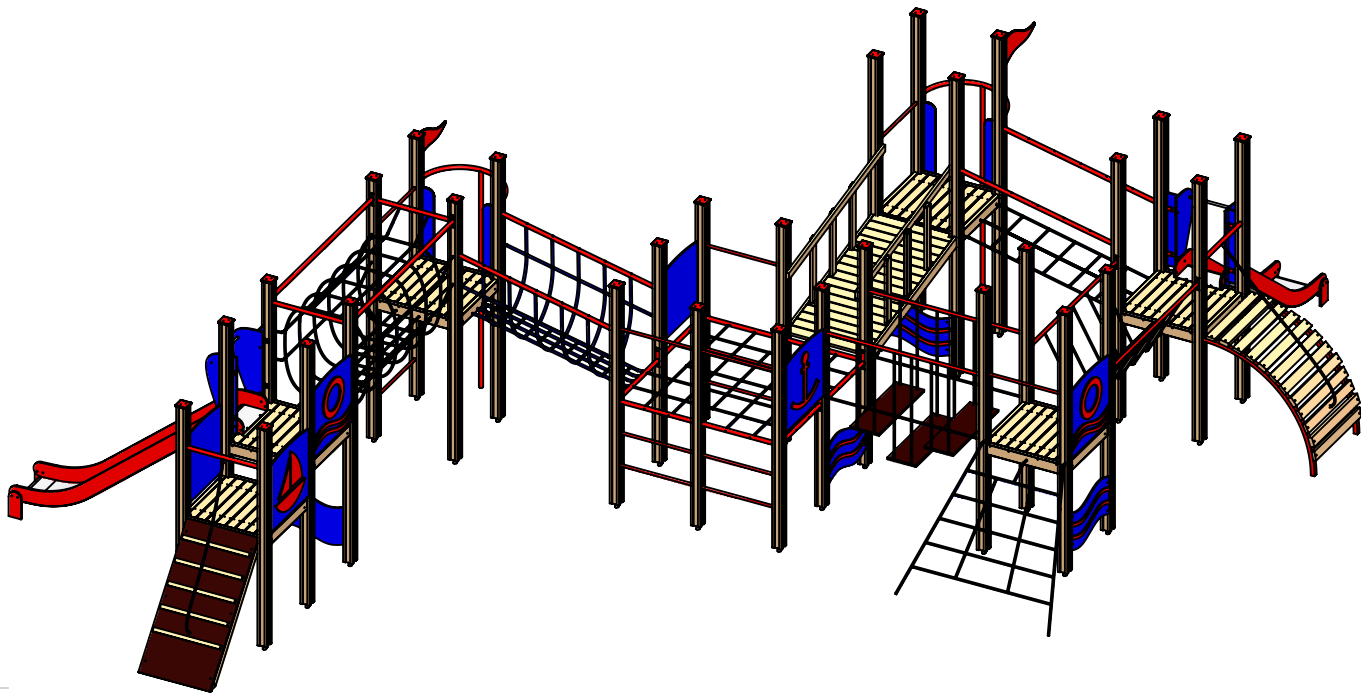
B

C

D

E

F



UNLESS OTHERWISE SPECIFIED:  
 DIMENSIONS ARE IN MILLIMETERS  
 WEIGHT ARE IN KILOGRAMM

PART NUMBER / DWG NO.:

LM300-3

	NAME	SIGNATURE	DATE	REVISION
DRAWN	M.Rebase		30.08.2012	
APPV'D				

DESCRIPTION:

Multi Activity Centre HARBOUR Mini



**Tiptaptap** OÜ

Tiptaptap OÜ  
 Veetorni 9,  
 Jüri alevik, Rae vald,  
 75301 Harjumaa

MATERIAL:

wood, metal, plastic

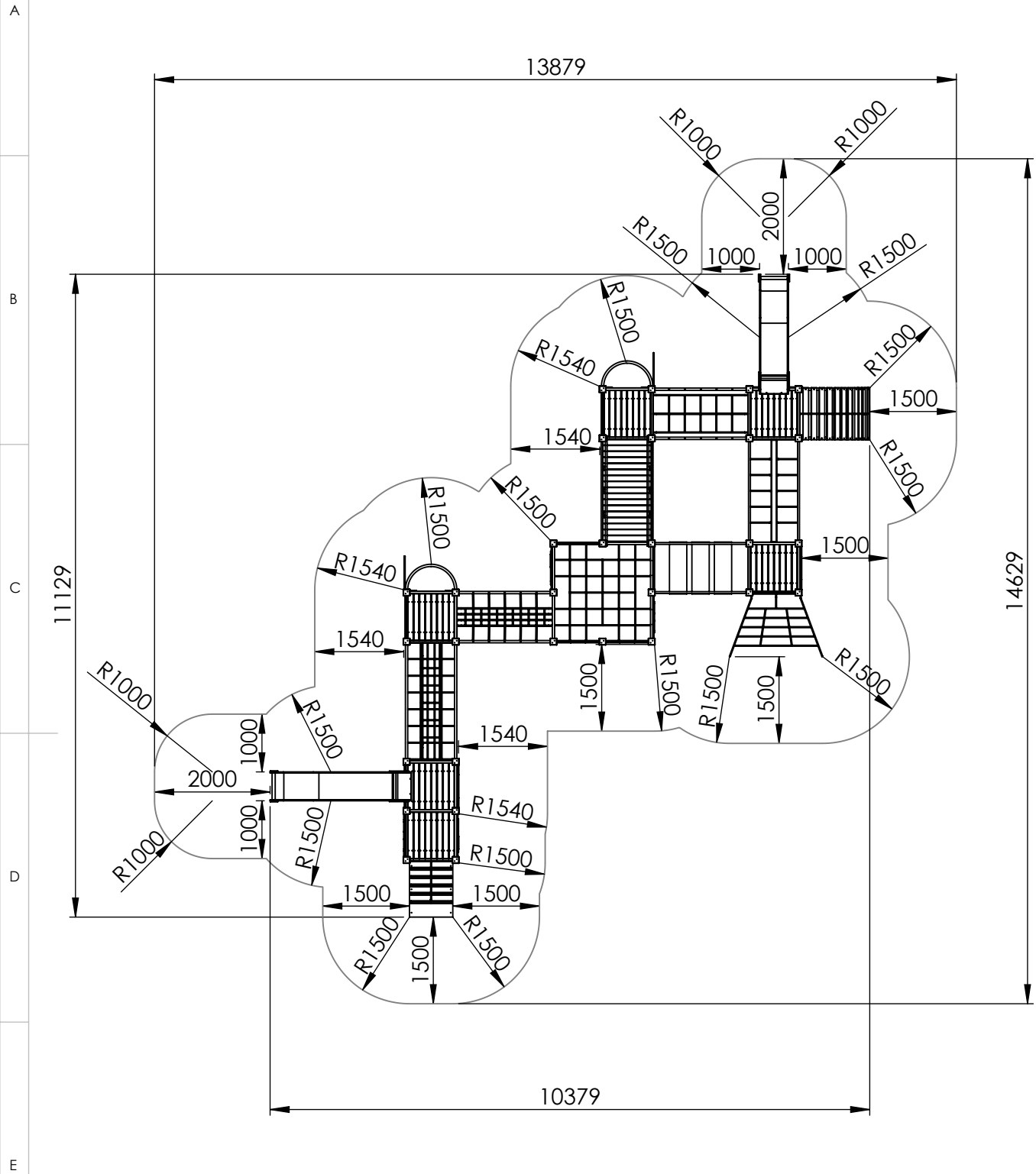
A4

WEIGHT:

SCALE: 1:70

SHEET 1 OF 13

# safety area



UNLESS OTHERWISE SPECIFIED:  
DIMENSIONS ARE IN MILLIMETERS  
WEIGHT ARE IN KILOGRAMM

PART NUMBER / DWG NO.:

LM300-3

	NAME	SIGNATURE	DATE	REVISION
DRAWN	M.Rebase		30.08.2012	
APPV'D				

DESCRIPTION:

Multi Activity Centre HARBOUR Mini



**Tiptap** OÜ

Tiptap OÜ  
Veetorni 9,  
Jüri alevik, Rae vald,  
75301 Harjumaa

MATERIAL:

wood, metal, plastic

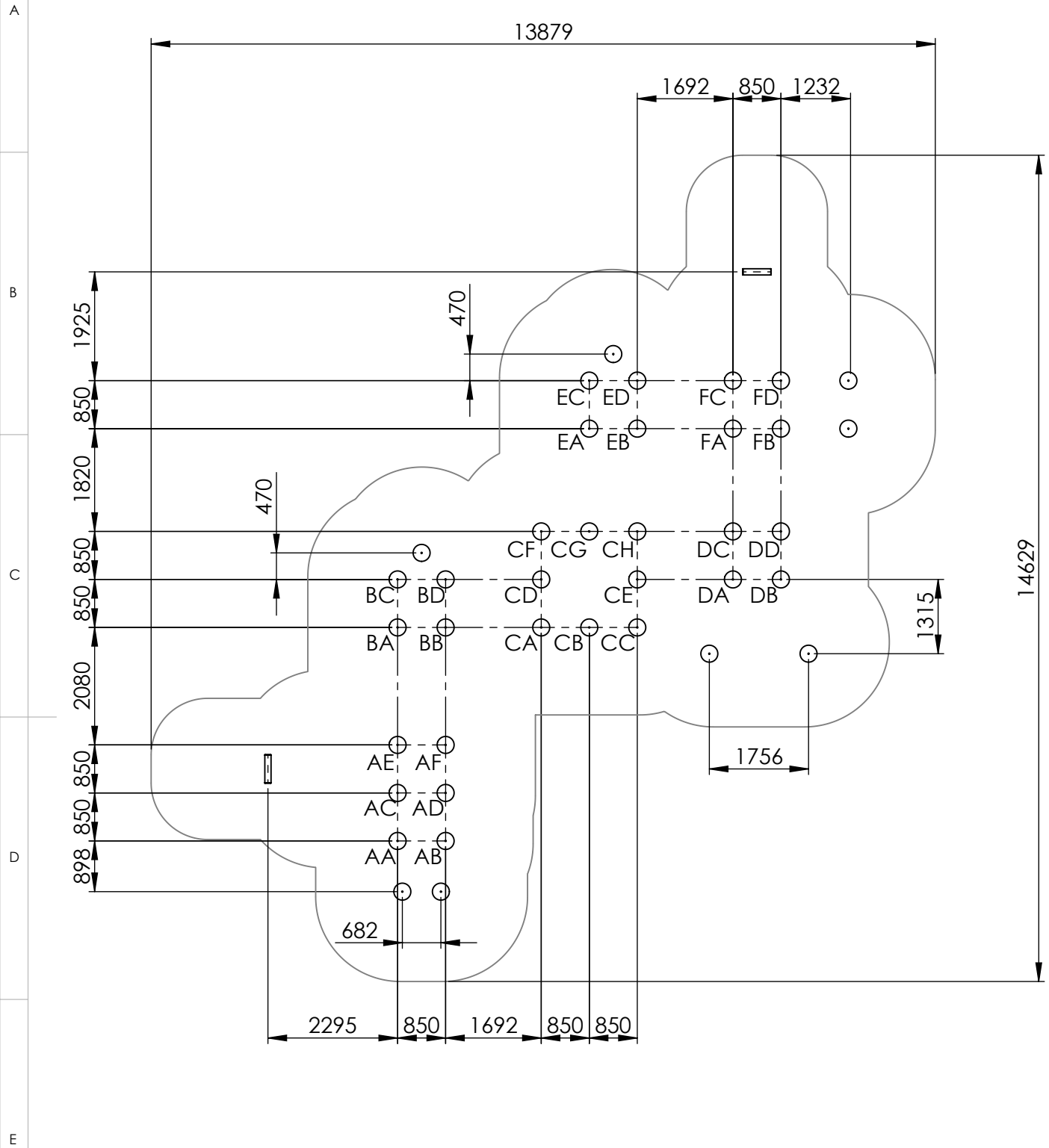
A4

WEIGHT:

SCALE: 1:100

SHEET 2 OF 13

# foundation



UNLESS OTHERWISE SPECIFIED:  
DIMENSIONS ARE IN MILLIMETERS  
WEIGHT ARE IN KILOGRAMM

PART NUMBER / DWG NO.:

LM300-3

	NAME	SIGNATURE	DATE	REVISION
DRAWN	M.Rebase		30.08.2012	
APPV'D				

DESCRIPTION:

Multi Activity Centre HARBOUR Mini



**Tiptaptap** OÜ

Tiptaptap OÜ  
Veetorni 9,  
Jüri alevik, Rae vald,  
75301 Harjumaa

MATERIAL:

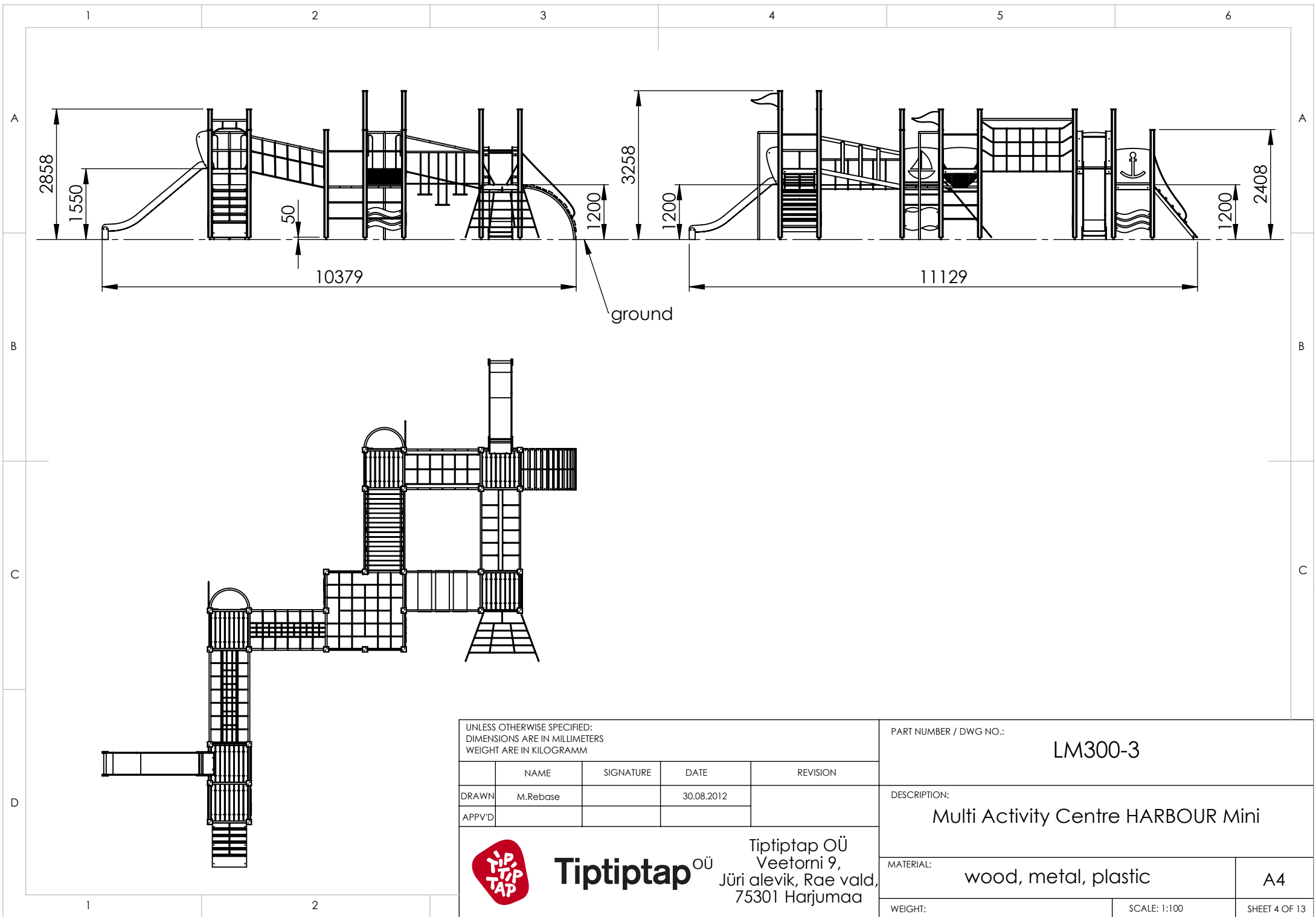
wood, metal, plastic

A4

WEIGHT:

SCALE: 1:100

SHEET 3 OF 13



UNLESS OTHERWISE SPECIFIED:  
DIMENSIONS ARE IN MILLIMETERS  
WEIGHT ARE IN KILOGRAMM

	NAME	SIGNATURE	DATE	REVISION
DRAWN	M.Rebase		30.08.2012	
APPV'D				

**Tiptaptap** OÜ  
Tiptaptap OÜ  
Veetorni 9,  
Jüri alevik, Rae vald,  
75301 Harjumaa

PART NUMBER / DWG NO.: <b>LM300-3</b>	
DESCRIPTION: <b>Multi Activity Centre HARBOUR Mini</b>	
MATERIAL:	wood, metal, plastic
WEIGHT:	SCALE: 1:100
A4	
SHEET 4 OF 13	

1 2 3 4 5 6

A

A

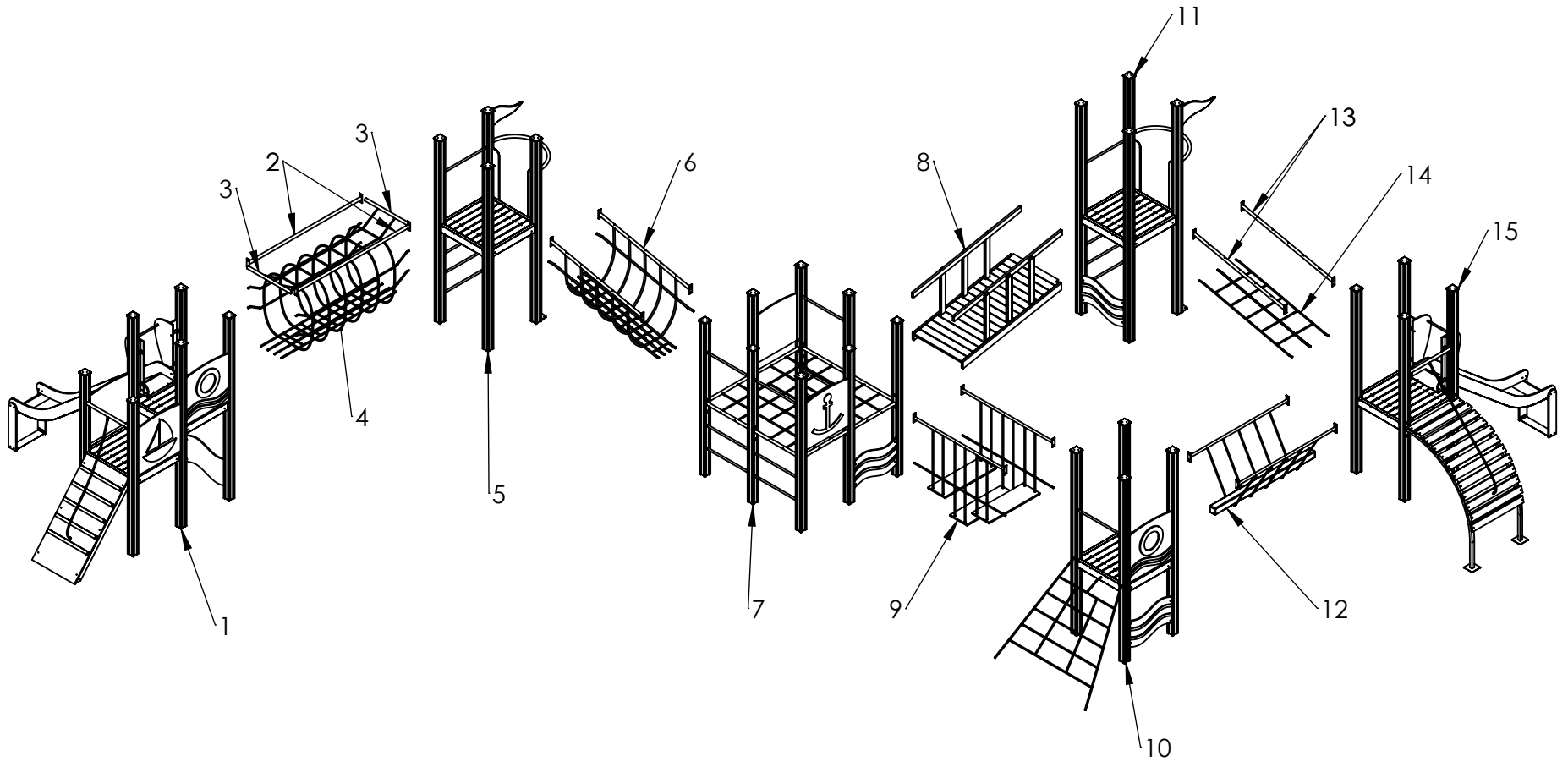
B

B

C

C

D



UNLESS OTHERWISE SPECIFIED:  
DIMENSIONS ARE IN MILLIMETERS  
WEIGHT ARE IN KILOGRAMM

PART NUMBER / DWG NO.:  
**LM300-3**

	NAME	SIGNATURE	DATE	REVISION
DRAWN	M.Rebase		30.08.2012	
APPV'D				

DESCRIPTION:  
**Multi Activity Centre HARBOUR Mini**



**Tiptaptap** OÜ  
Tiptaptap OÜ  
Veetorni 9,  
Jüri alevik, Rae vald,  
75301 Harjumaa

MATERIAL:	wood, metal, plastic	A4
WEIGHT:		SCALE: 1:80
		SHEET 5 OF 13

1 2

ITEM NO.	PART NUMBER	DESCRIPTION	QTY.	
A	1	platform A	laminated wood	1
	2	beam 40x2000	painted steel	2
	3	guardrail d.40x770	painted steel	2
	4	rope tunnel L_2000	PP covered steel wire	1
B	5	platform B	laminated wood	1
	6	inclined rope bridge	PP covered steel wire	1
	7	platform C	laminated wood	1
	8	inclined bridge I_1590	wood	1
	9	bridge with steps	PP covered steel wire, plywood,metal	1
	10	platform D	laminated wood	1
	11	platform E	laminated wood	1
C	12	bridge with beam	PP covered steel wire, plywood,metal	1
	13	inclined beam d.40x1650	painted steel	2
	14	inclined rope path L_1600	PP covered steel wire	1
	15	platform F	laminated wood	1



UNLESS OTHERWISE SPECIFIED: DIMENSIONS ARE IN MILLIMETERS WEIGHT ARE IN KILOGRAMM				
	NAME	SIGNATURE	DATE	REVISION
DRAWN	M.Rebase		30.08.2012	
APPV'D				

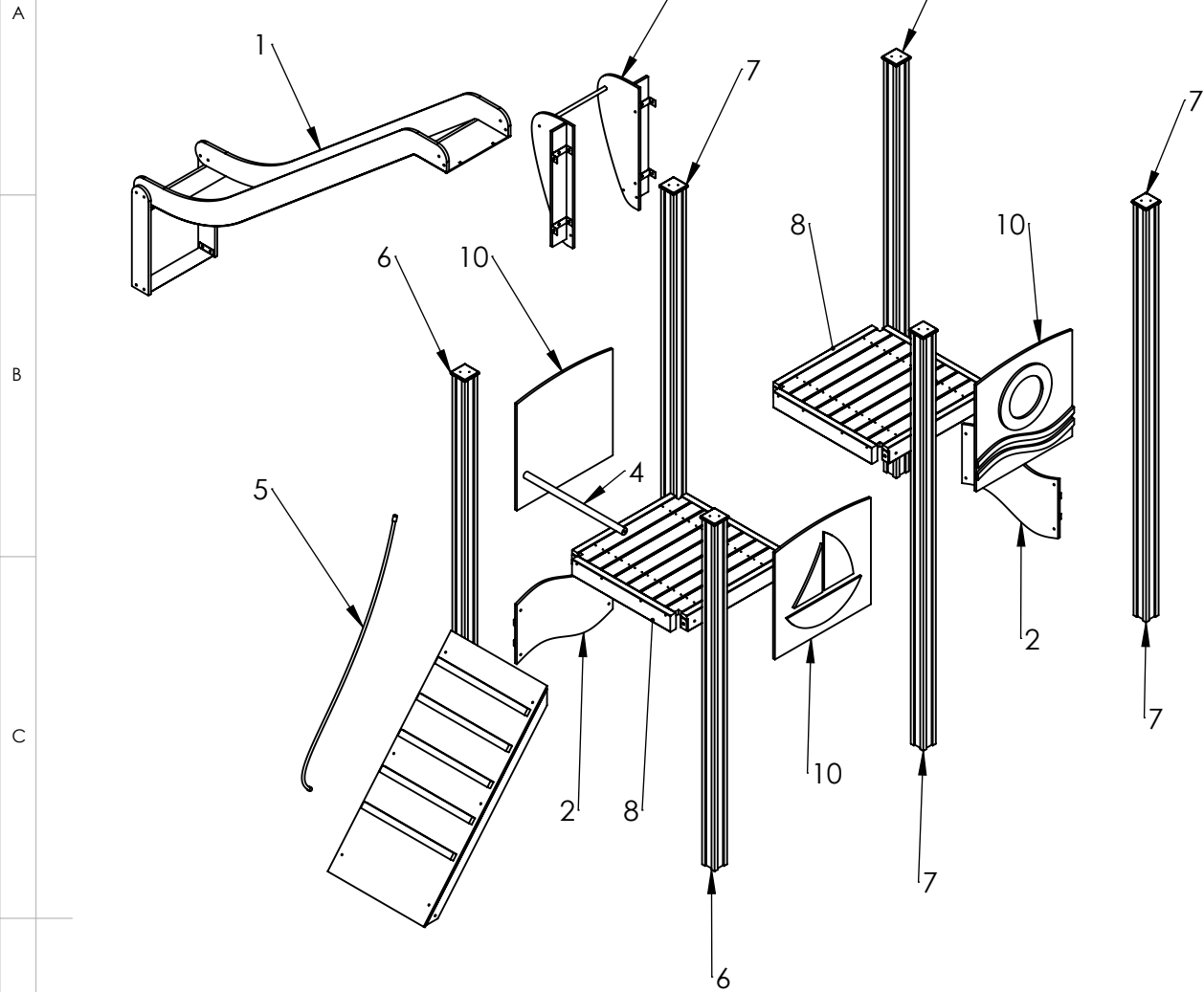
PART NUMBER / DWG NO.:	LM300-3
DESCRIPTION:	Multi Activity Centre HARBOUR Mini



**Tiptiptap** OÜ  
 Veetorni 9,  
 Jüri alevik, Rae vald,  
 75301 Harjumaa

MATERIAL:	wood, metal, plastic	A4
WEIGHT:	SCALE: 1:80	SHEET 6 OF 13

# platform A



ITEM NO.	PART NUMBER	DESCRIPTION	QTY.
1	slide h_1550	stainless steel, PE plastic	1
2	side panel 750x300 wave	plywood	2
3	climbing panel h.1200	laminated wood, plywood	1
4	guardrail d.40x770	painted steel	1
5	rope d.16x1200	PP covered steel wire	1
6	post 98x98x2350 with top cover	laminated wood	2
7	post 98x98x2800 with top cover	laminated wood, PE plastic	4
8	platform	laminated wood, metal	2
9	slide guard block	plywood, painted steel	1
10	panel 750x750	plywood	3

UNLESS OTHERWISE SPECIFIED:  
DIMENSIONS ARE IN MILLIMETERS  
WEIGHT ARE IN KILOGRAMM

PART NUMBER / DWG NO.:

LM300-3

	NAME	SIGNATURE	DATE	REVISION
DRAWN	M.Rebase		30.08.2012	
APPV'D				

DESCRIPTION:

Multi Activity Centre HARBOUR Mini

MATERIAL:

wood, metal, plastic

A4

WEIGHT:

SCALE: 1:40

SHEET 7 OF 13



**Tiptiptap** OÜ

Tiptiptap OÜ  
Veetorni 9,  
Jüri alevik, Rae vald,  
75301 Harjumaa

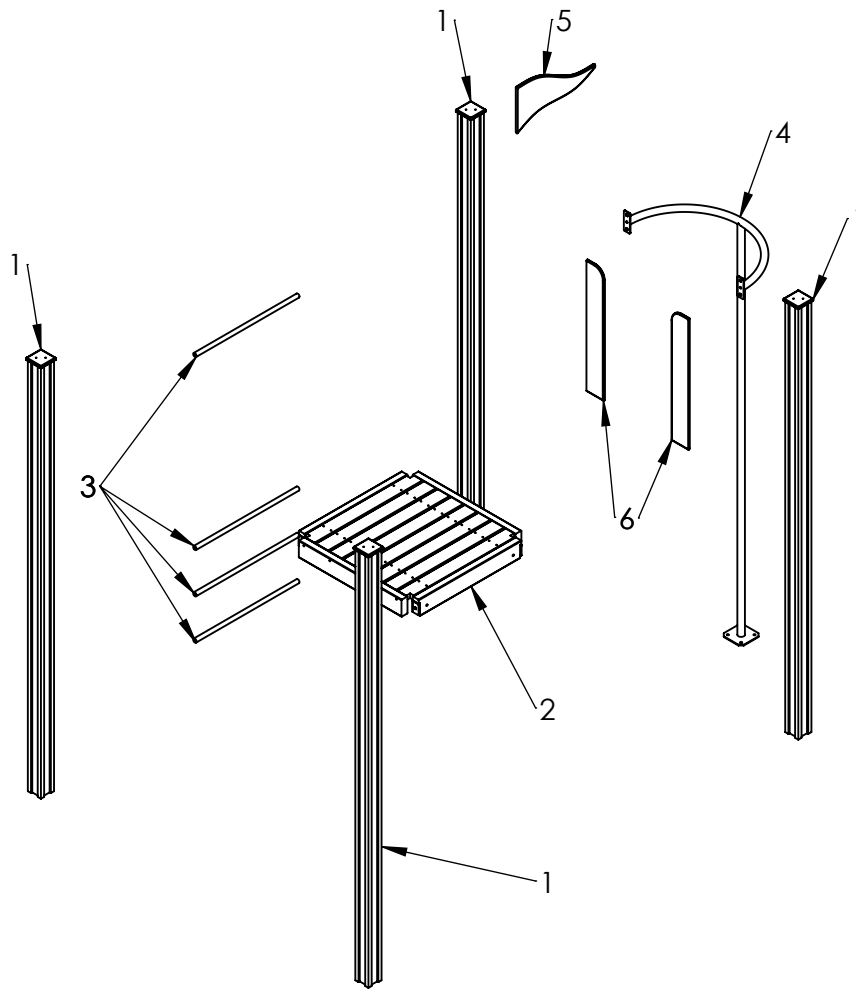
# platform B

A

B

C


D



E

F

ITEM NO.	PART NUMBER	DESCRIPTION	QTY.
1	post 98x98x2800 with top cover	laminated wood, PE plastic	4
2	platform	laminated wood, metal	1
3	guardrail $\phi$ 25x770	painted steel	4
4	climbing pole	galvanized painted steel	1
5	flag	plywood	1
6	panel 750x127	plywood	2

UNLESS OTHERWISE SPECIFIED: DIMENSIONS ARE IN MILLIMETERS WEIGHT ARE IN KILOGRAMM				PART NUMBER / DWG NO.: <b>LM300-3</b>	
	NAME	SIGNATURE	DATE	REVISION	
DRAWN	M.Rebase		30.08.2012		
APPV'D					
 <b>Tiptaptap</b> OÜ Veetorni 9, Jüri alevik, Rae vald, 75301 Harjumaa				DESCRIPTION: <b>Multi Activity Centre HARBOUR Mini</b>	
				MATERIAL:	wood, metal, plastic
				WEIGHT:	A4
				SCALE: 1:40	SHEET 8 OF 13



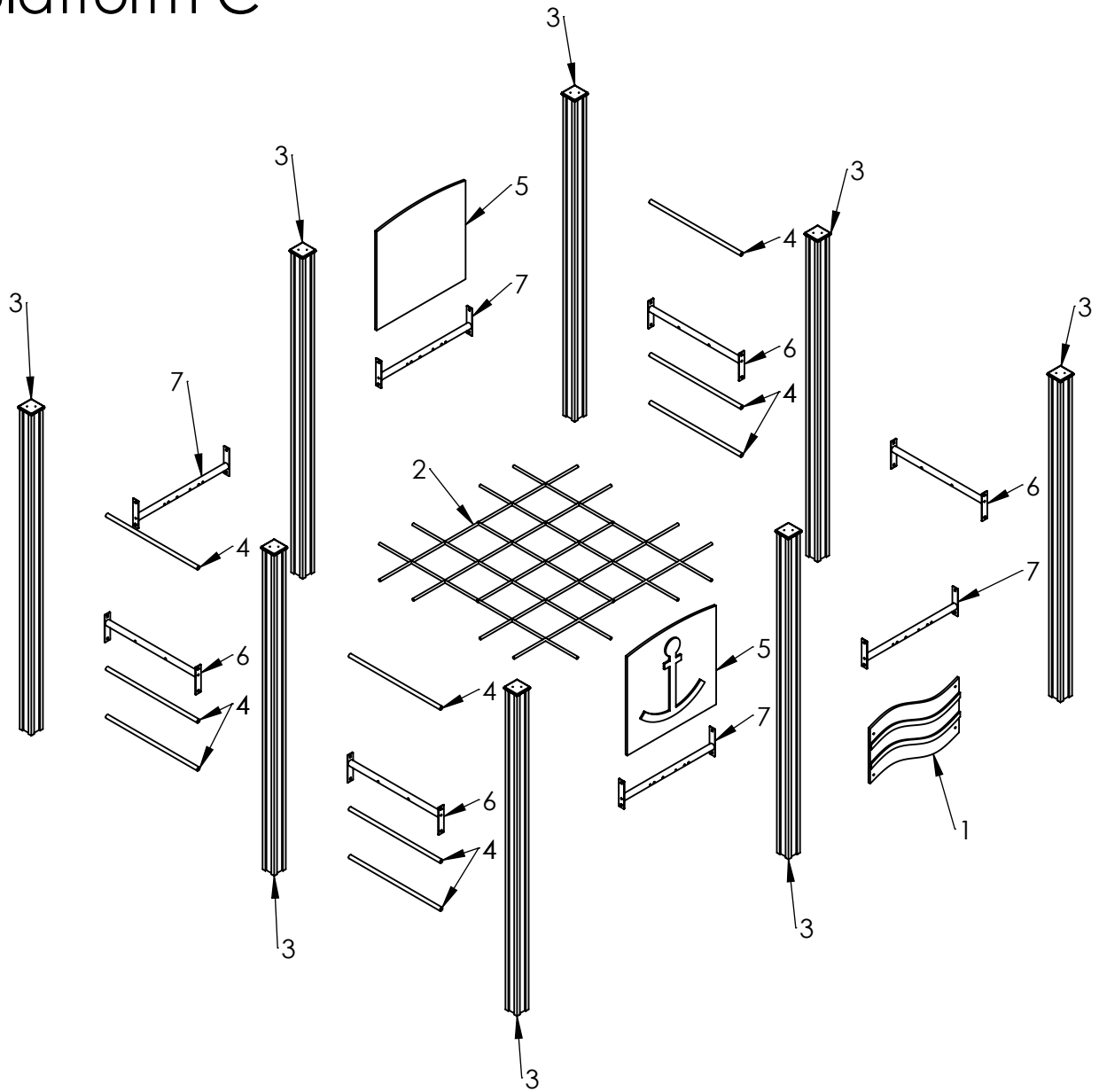
# platform C

A


B

C

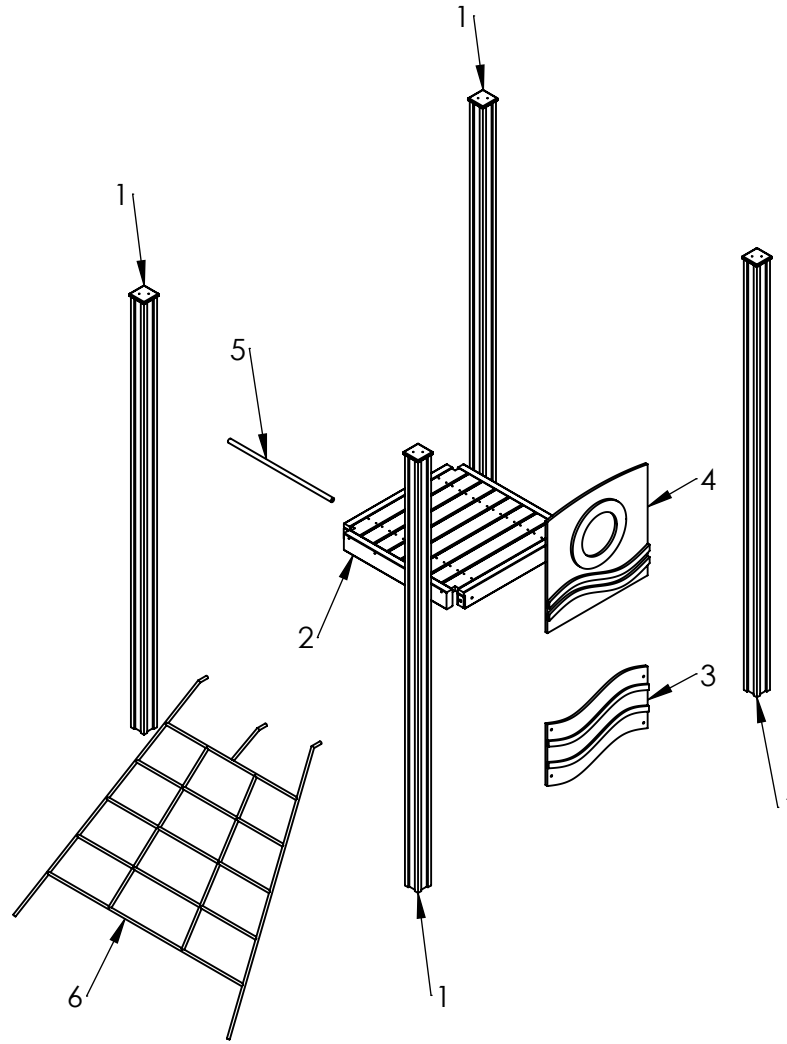
D




ITEM NO.	PART NUMBER	DESCRIPTION	QTY.
1	side panel 750x300 wave	plywood	1
2	net 1670x1670	PP covered steel wire	1
3	post 98x98x2350 with top cover	laminated wood	8
4	guardrail $\phi$ 25x770	painted steel	9
5	panel 750x750	plywood	2
6	beam 40x770_2 holes	painted steel	4
7	beam 40x770_6 holes	painted steel	4

UNLESS OTHERWISE SPECIFIED: DIMENSIONS ARE IN MILLIMETERS WEIGHT ARE IN KILOGRAMM				PART NUMBER / DWG NO.: <b>LM300-3</b>	
NAME	SIGNATURE	DATE	REVISION	DESCRIPTION: <b>Multi Activity Centre HARBOUR Mini</b>	
DRAWN M.Rebase		30.08.2012		MATERIAL: wood, metal, plastic	
APPV'D				WEIGHT:	A4
 <b>Tiptiptap</b> OÜ Tiptiptap OÜ Veetorni 9, Jüri alevik, Rae vald, 75301 Harjumaa				SCALE: 1:40	SHEET 9 OF 13

# platform D



ITEM NO.	PART NUMBER	DESCRIPTION	QTY.
1	post 98x98x2800 with top cover	laminated wood, PE plastic	4
2	platform	laminated wood, metal	1
3	side panel 750x300 wave	plywood	1
4	panel 750x750	plywood	1
5	guardrail $\phi$ 25x770	painted steel	1
6	rope ladder h_1200	PP covered steel wire	1

UNLESS OTHERWISE SPECIFIED: DIMENSIONS ARE IN MILLIMETERS WEIGHT ARE IN KILOGRAMM				PART NUMBER / DWG NO.: <b>LM300-3</b>																
<table border="1"> <thead> <tr> <th></th> <th>NAME</th> <th>SIGNATURE</th> <th>DATE</th> <th>REVISION</th> </tr> </thead> <tbody> <tr> <td>DRAWN</td> <td>M.Rebase</td> <td></td> <td>30.08.2012</td> <td></td> </tr> <tr> <td>APPV'D</td> <td></td> <td></td> <td></td> <td></td> </tr> </tbody> </table>					NAME	SIGNATURE	DATE	REVISION	DRAWN	M.Rebase		30.08.2012		APPV'D					DESCRIPTION: <b>Multi Activity Centre HARBOUR Mini</b>	
	NAME	SIGNATURE	DATE	REVISION																
DRAWN	M.Rebase		30.08.2012																	
APPV'D																				
 <b>Tiptaptap</b> OÜ Veetorni 9, Jüri alevik, Rae vald, 75301 Harjumaa				MATERIAL: wood, metal, plastic																
				A4																
				WEIGHT:																
				SCALE: 1:40																
				SHEET 10 OF 13																

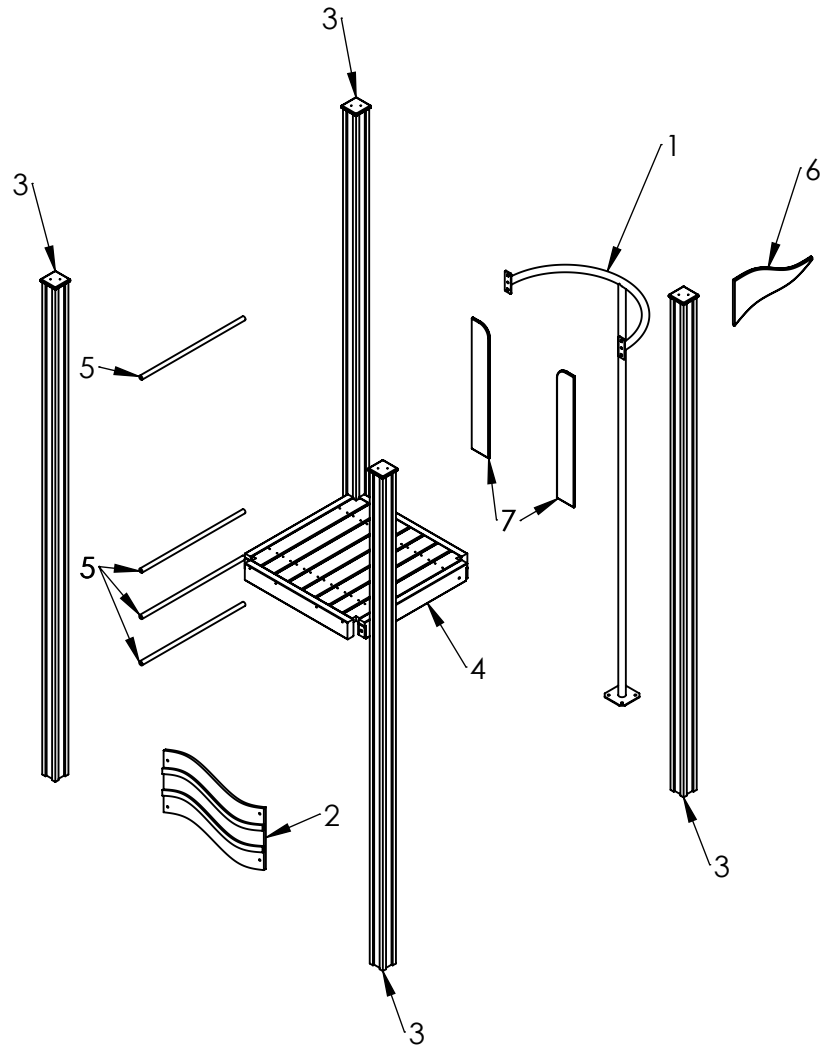
# platform E

A


B

C

D



ITEM NO.	PART NUMBER	DESCRIPTION	QTY.
1	climbing pole	galvanized painted steel	1
2	side panel 750x300 wave	plywood	1
3	post 98x98x3200	laminated wood, PE plastic	4
4	platform	laminated wood, metal	1
5	guardrail $\phi$ 25x770	painted steel	4
6	flag	plywood	1
7	panel 750x127	plywood	2

UNLESS OTHERWISE SPECIFIED: DIMENSIONS ARE IN MILLIMETERS WEIGHT ARE IN KILOGRAMM				PART NUMBER / DWG NO.: <b>LM300-3</b>	
NAME	SIGNATURE	DATE	REVISION	DESCRIPTION: <b>Multi Activity Centre HARBOUR Mini</b>	
DRAWN M.Rebase		30.08.2012			
APPV'D					
 <b>Tiptiptap</b> OÜ Veetorni 9, Jüri alevik, Rae vald, 75301 Harjumaa				MATERIAL: wood, metal, plastic	
				WEIGHT:	A4
				SCALE: 1:40	SHEET 11 OF 13

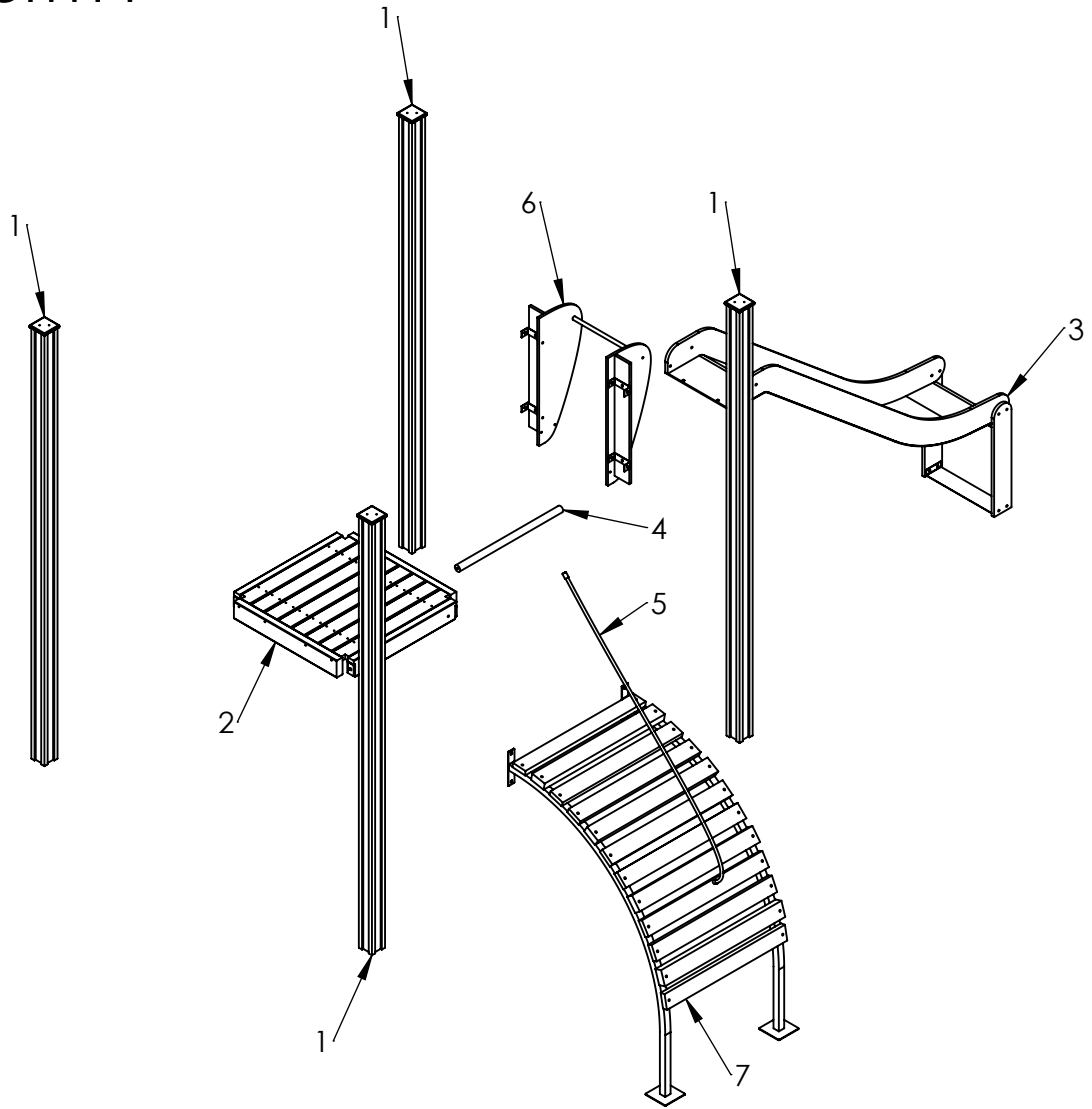
# platform F

A

B

C

D



E

F

ITEM NO.	PART NUMBER	DESCRIPTION	QTY.
1	post 98x98x2800 with top cover	laminated wood, PE plastic	4
2	platform	laminated wood, metal	1
3	slide h_1200	stainless steel, PE plastic	1
4	guardrail d.40x770	painted steel	1
5	rope	PP covered steel wire	1
6	slide guard block	plywood, painted steel	1
7	curved ramp	wood, metal	1

UNLESS OTHERWISE SPECIFIED:  
DIMENSIONS ARE IN MILLIMETERS  
WEIGHT ARE IN KILOGRAMM

PART NUMBER / DWG NO.:

LM300-3

	NAME	SIGNATURE	DATE	REVISION
DRAWN	M.Rebase		30.08.2012	
APPV'D				

DESCRIPTION:

Multi Activity Centre HARBOUR Mini

MATERIAL:

wood, metal, plastic

A4

WEIGHT:

SCALE: 1:40

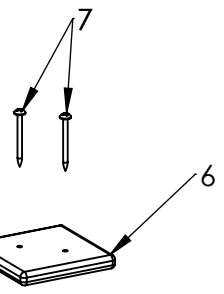
SHEET 12 OF 13



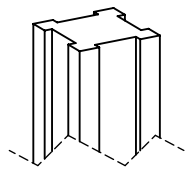
**Tiptaptap** OÜ

Tiptaptap OÜ  
Veetorni 9,  
Jüri alevik, Rae vald,  
75301 Harjumaa

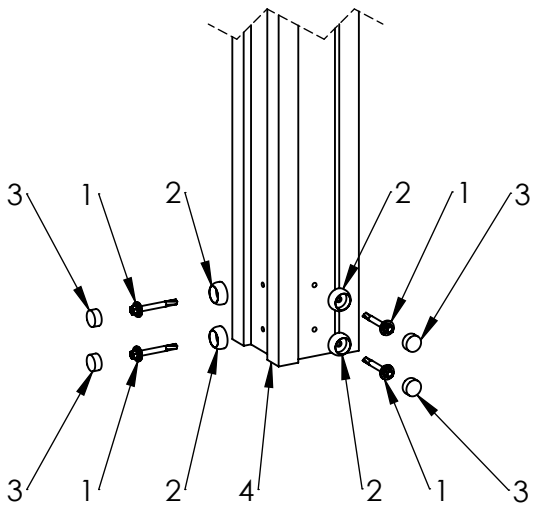
A



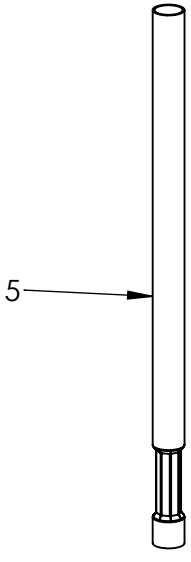
B



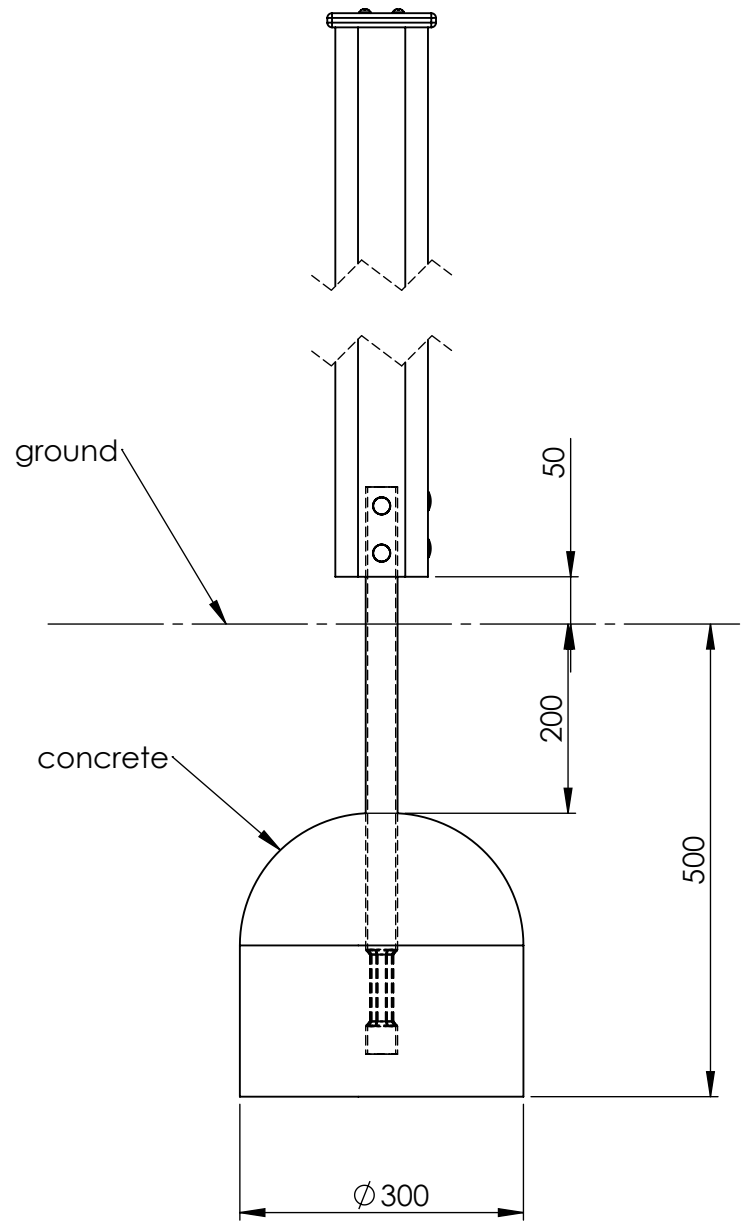
C



D



E



ITEM NO.	PART NUMBER
1	screw DIN7504K 5,5x50
2	nut cover M6
3	nut cover cap M6
4	post 98x98
5	metal ground fixing L_600
6	plastic cap 115x115
7	screw DIN7996 6x60

UNLESS OTHERWISE SPECIFIED:  
 DIMENSIONS ARE IN MILLIMETERS  
 WEIGHT ARE IN KILOGRAMM

PART NUMBER / DWG NO.:  
**LM300-3**

	NAME	SIGNATURE	DATE	REVISION
DRAWN	M.Rebase		30.08.2012	
APPV'D				

DESCRIPTION:  
**Multi Activity Centre HARBOUR Mini connecting metal ground fixing to post**

F



**Tiptaptap** OÜ

Tiptaptap OÜ  
 Veetorni 9,  
 Jüri alevik, Rae vald,  
 75301 Harjumaa

MATERIAL:	wood, metal, plastic	A4
WEIGHT:	SCALE: 1:8	SHEET 13 OF 13