

A

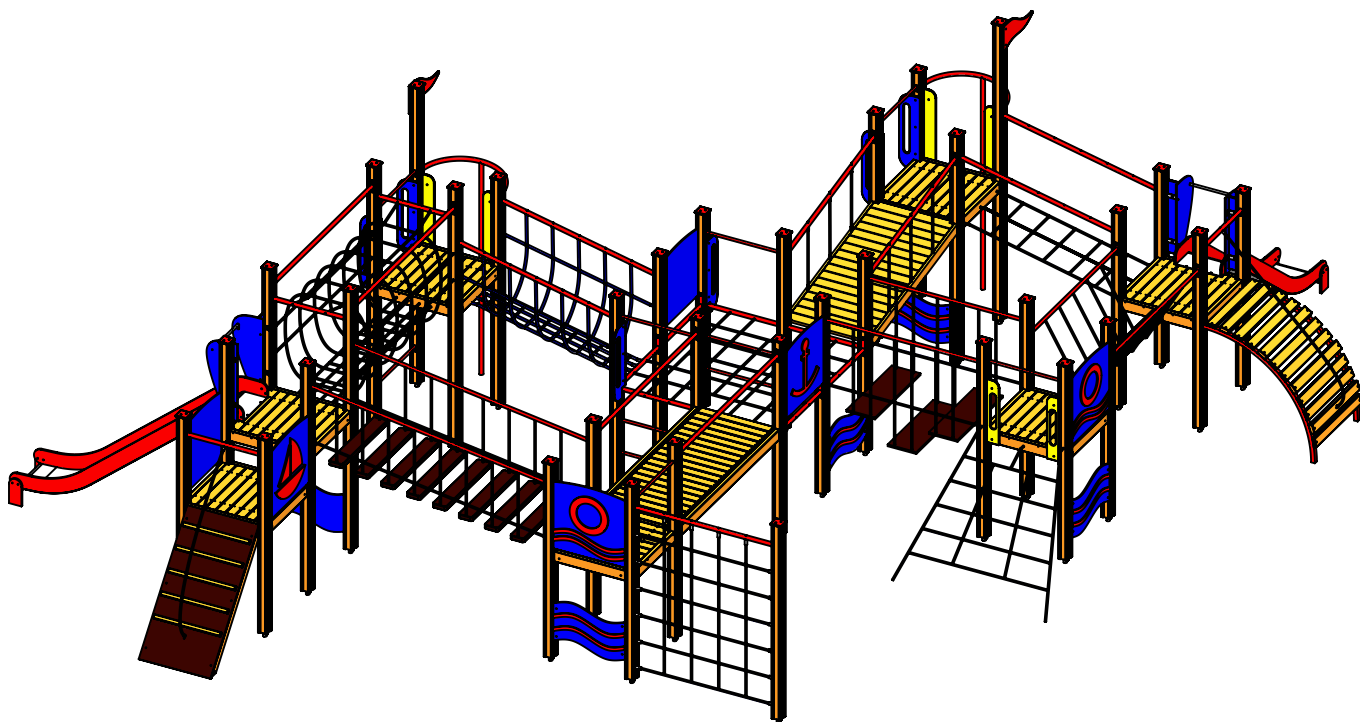
B

C

D

E

F



UNLESS OTHERWISE SPECIFIED:
DIMENSIONS ARE IN MILLIMETERS
WEIGHT ARE IN KILOGRAMM

Lekplatsgrossisten.se

PART NUMBER / DWG NO.:

LM300-2

	NAME	SIGNATURE	DATE	REVISION
DRAWN	R.Fedotov		11.12.2017	
APPV'D				

DESCRIPTION:

Multi Activity Centre HARBOUR Midi



Tiptaptap OÜ

Tiptaptap OÜ
Veetorni 9,
Jüri alevik, Rae vald,
75301 Harjumaa

MATERIAL:

wood, metal, plastic

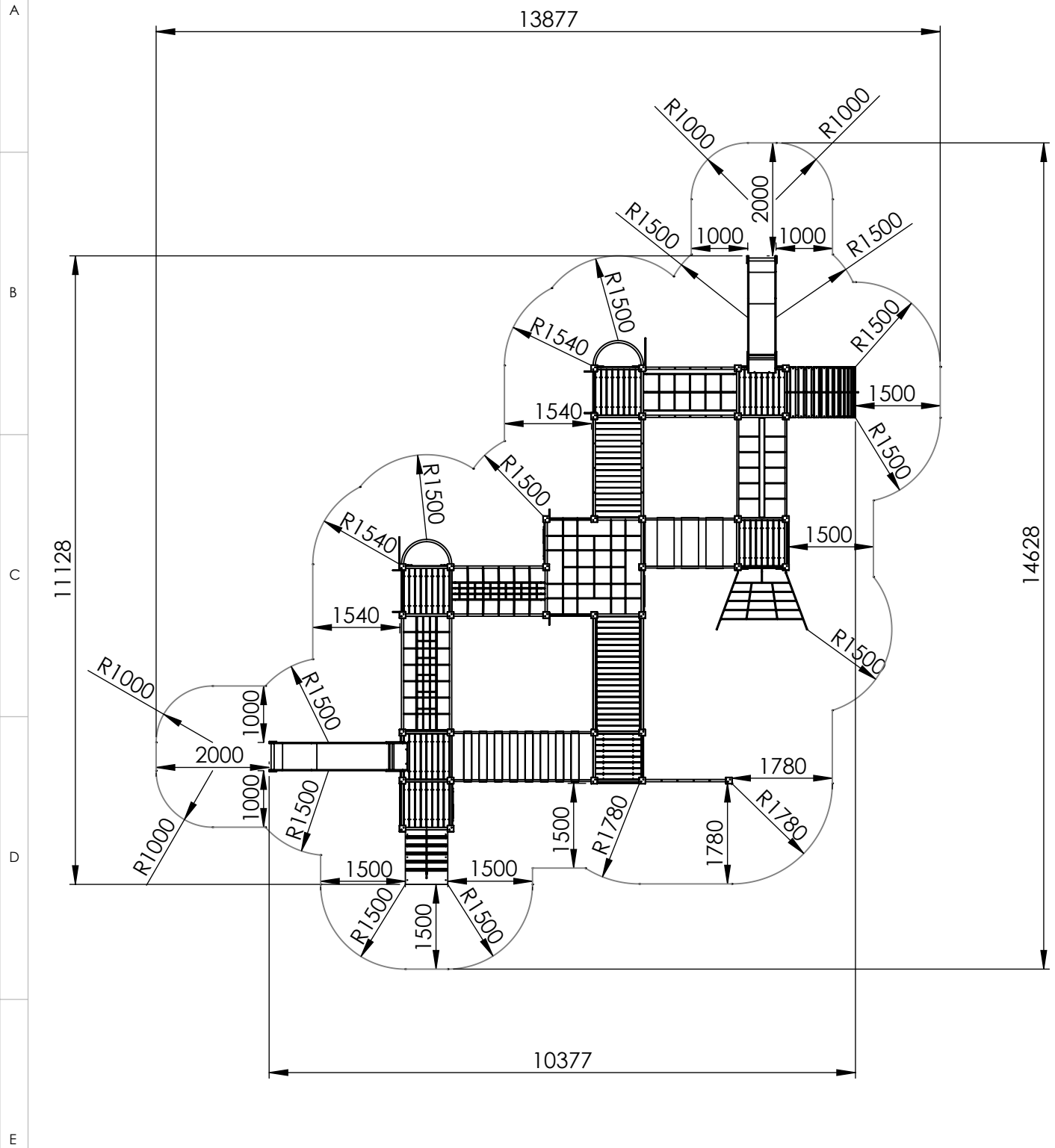
A4

WEIGHT:

SCALE: 1:70

SHEET 1 OF 31

safety area



UNLESS OTHERWISE SPECIFIED:
DIMENSIONS ARE IN MILLIMETERS
WEIGHT ARE IN KILOGRAMM

Lekplatsgrossisten.se

PART NUMBER / DWG NO.:

LM300-2

	NAME	SIGNATURE	DATE	REVISION
DRAWN	R.Fedotov		11.12.2017	
APPV'D				

DESCRIPTION:

Multi Activity Centre HARBOUR Midi



Tiptaptap OÜ

Tiptaptap OÜ
Veetorni 9,
Jüri alevik, Rae vald,
75301 Harjumaa

MATERIAL:

wood, metal, plastic

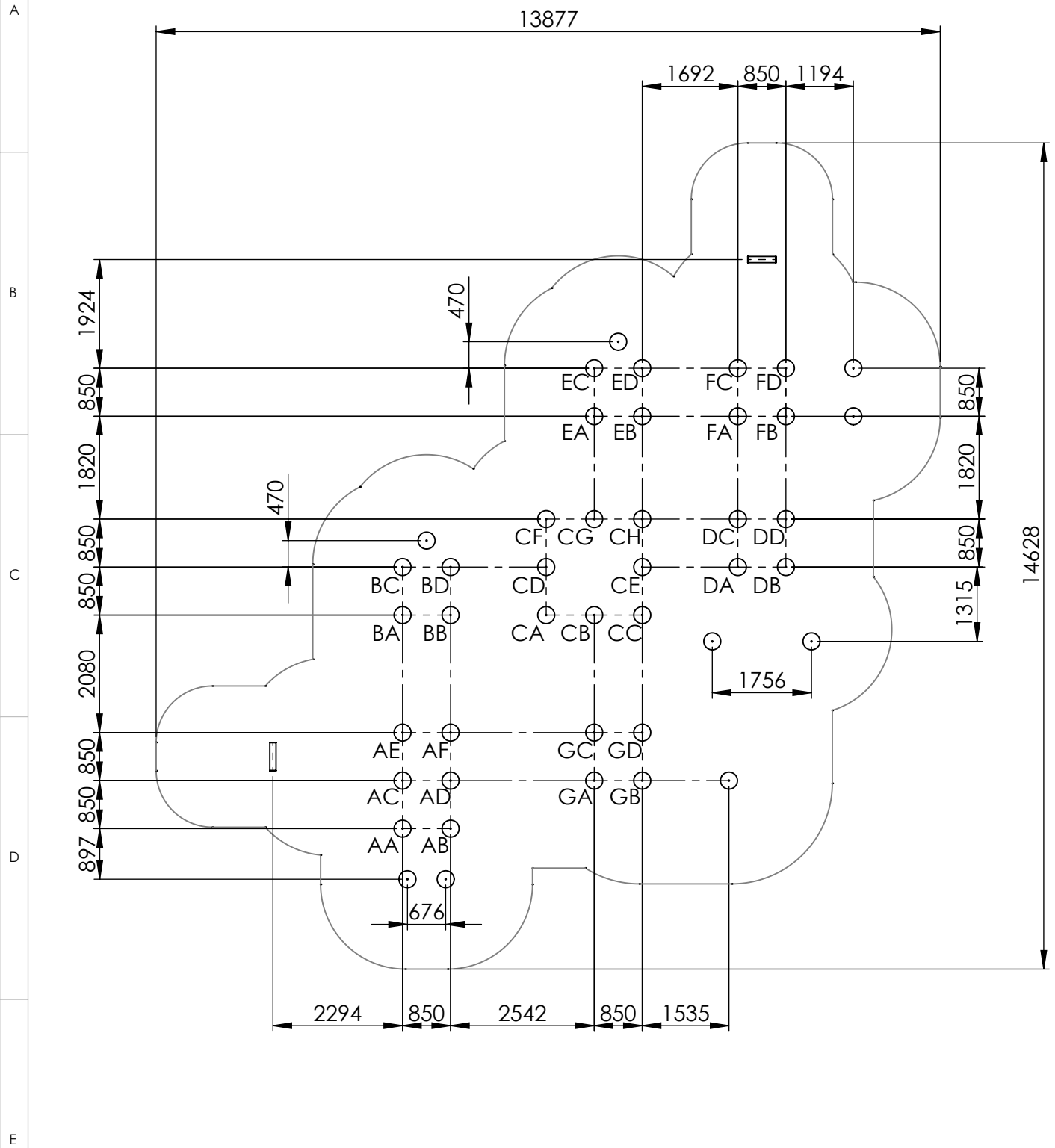
A4

WEIGHT:

SCALE: 1:100

SHEET 2 OF 31

foundation



UNLESS OTHERWISE SPECIFIED:
DIMENSIONS ARE IN MILLIMETERS
WEIGHT ARE IN KILOGRAMM

Lekplatsgrossisten.se

PART NUMBER / DWG NO.:

LM300-2

	NAME	SIGNATURE	DATE	REVISION
DRAWN	R.Fedotov		11.12.2017	
APPV'D				

DESCRIPTION:

Multi Activity Centre HARBOUR Midi



Tiptaptap OÜ

Tiptaptap OÜ
Veetorni 9,
Jüri alevik, Rae vald,
75301 Harjumaa

MATERIAL:

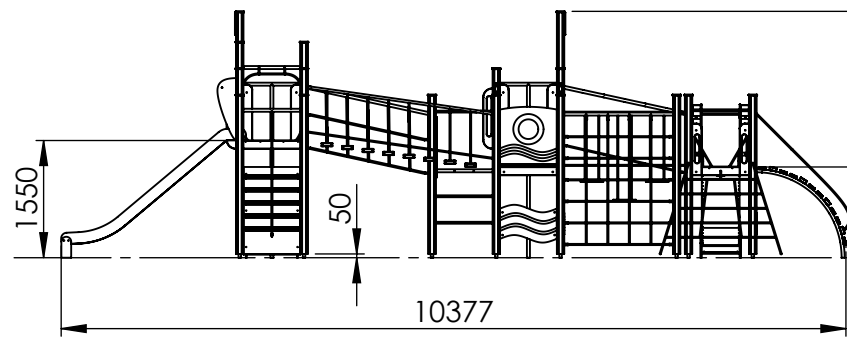
wood, metal, plastic

A4

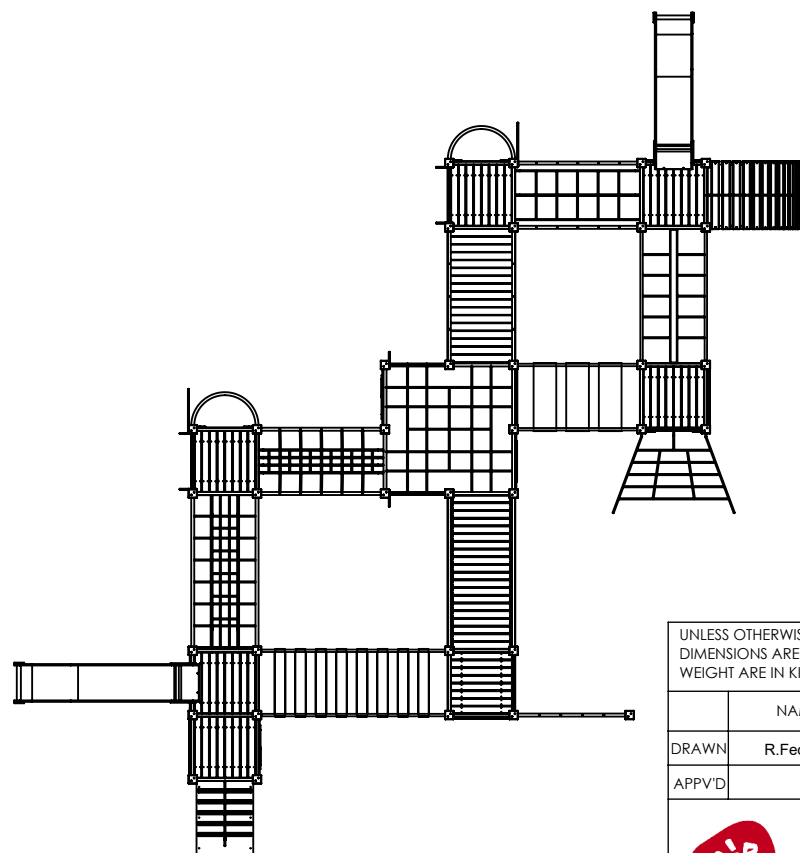
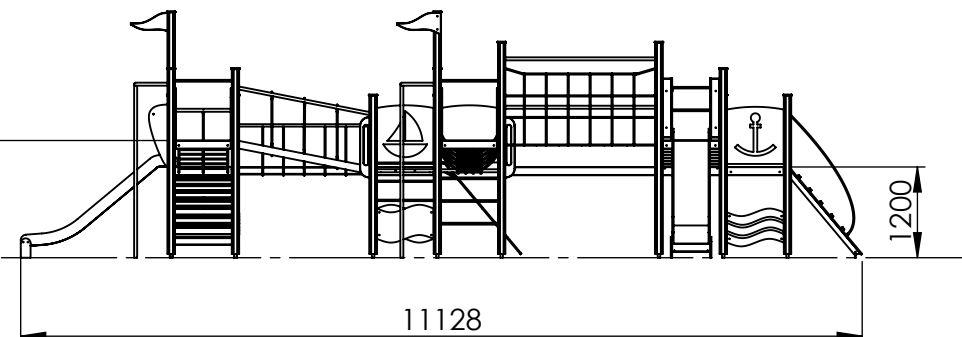
WEIGHT:

SCALE: 1:100

SHEET 3 OF 31



ground



UNLESS OTHERWISE SPECIFIED:
DIMENSIONS ARE IN MILLIMETERS
WEIGHT ARE IN KILOGRAMM

Lekplatsgrossisten.se

PART NUMBER / DWG NO.:

LM300-2

	NAME	SIGNATURE	DATE	REVISION
DRAWN	R.Fedotov		11.12.2017	
APPV'D				

DESCRIPTION:

Multi Activity Centre HARBOUR Midi



Tiptaptap OÜ

Tiptaptap OÜ
Veetorni 9,
Jüri alevik, Rae vald,
75301 Harjumaa

MATERIAL:

wood, metal, plastic

A4

WEIGHT:

SCALE: 1:100

SHEET 4 OF 31

1 2 3 4 5 6

A

A

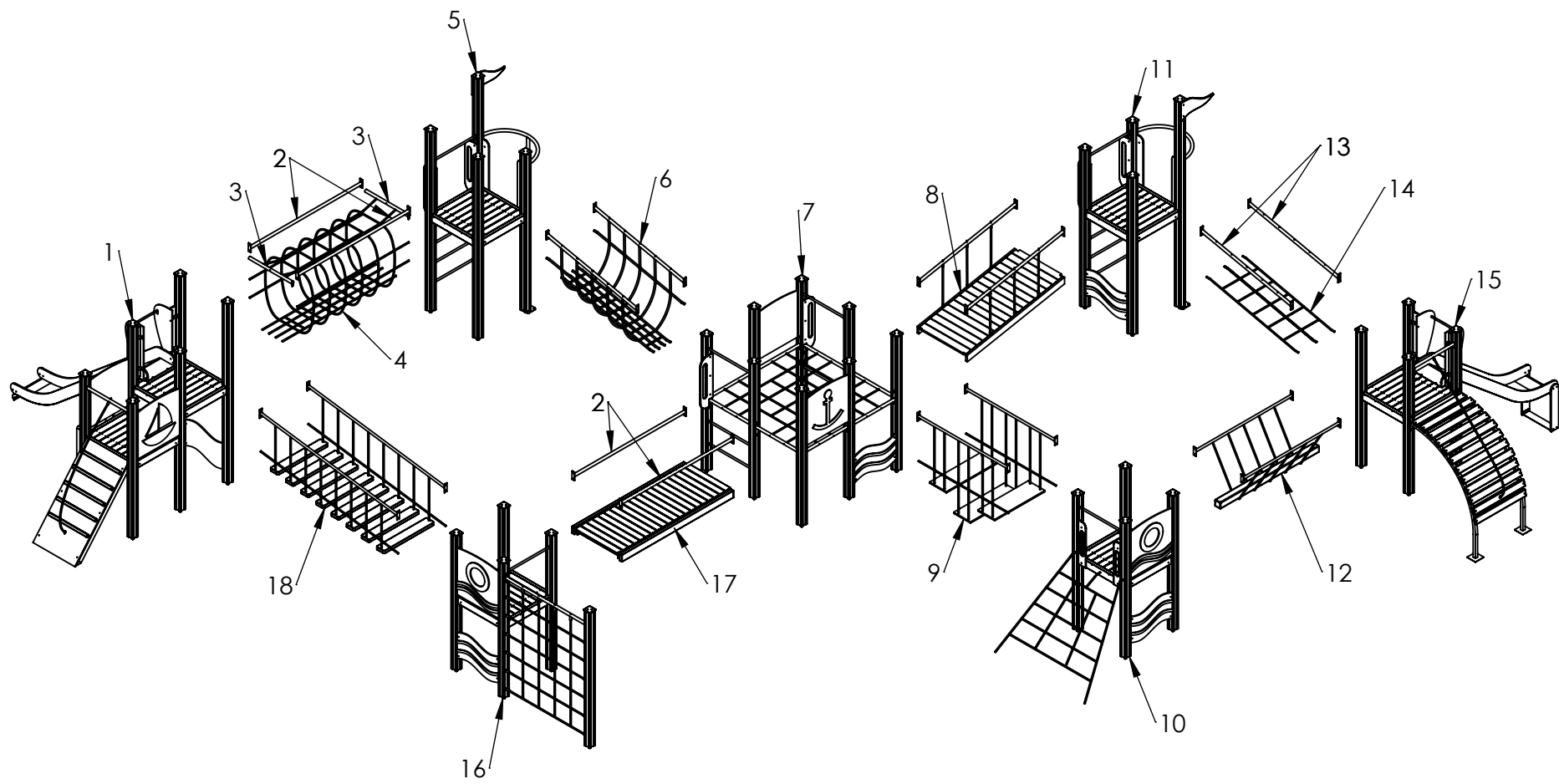
B


B

C

C

D




UNLESS OTHERWISE SPECIFIED: DIMENSIONS ARE IN MILLIMETERS WEIGHT ARE IN KILOGRAMM				Lekplatsgrossisten.se		PART NUMBER / DWG NO.: LM300-2	
	NAME	SIGNATURE	DATE	REVISION		DESCRIPTION: Multi Activity Centre HARBOUR Midi	
DRAWN	R.Fedotov		11.12.2017				
APPV'D							
 Tiptap OÜ Tiptap OÜ Veetorni 9, Jüri alevik, Rae vald, 75301 Harjumaa				MATERIAL: wood, metal, plastic		A4	
				WEIGHT:		SCALE: 1:80	
						SHEET 5 OF 31	

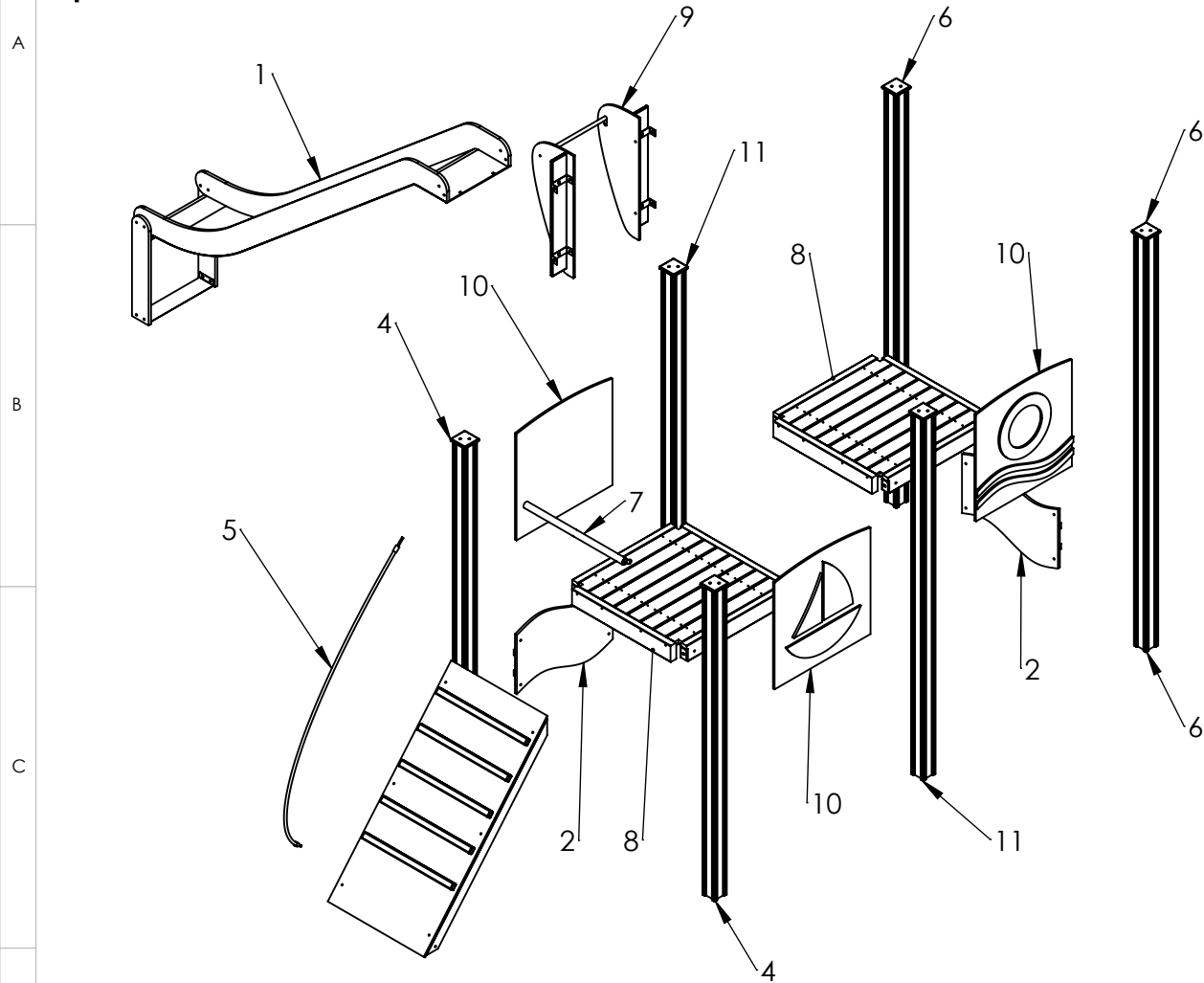
1 2

ITEM NO.	PART NUMBER	DESCRIPTION	QTY.
1	platform A	laminated wood	1
2	beam 40x2000	painted steel	4
3	guardrail Ø40x770 with 1 hole	painted steel	2
4	rope tunnel L_2000	PP covered steel wire	1
5	platform B	laminated wood	1
6	inclined rope bridge	PP covered steel wire	1
7	platform C	laminated wood	1
8	inclined bridge l_1590	PP covered steel wire, laminated wood, metal	1
9	bridge with steps	PP covered steel wire, plywood, metal	1
10	platform D	laminated wood	1
11	platform E	laminated wood	1
12	bridge with beam	PP covered steel wire, plywood, metal	1
13	inclined beam d.40x1650, 5 holes	painted steel	2
14	inclined rope path L_1600	PP covered steel wire	1
15	platform F	laminated wood	1
16	platform G	laminated wood	1
17	platform L_2000	laminated wood	1
18	suspended stairs	PP covered steel wire, wood, metal	1



UNLESS OTHERWISE SPECIFIED: DIMENSIONS ARE IN MILLIMETERS WEIGHT ARE IN KILOGRAMM		Lekplatsgrossisten.se		PART NUMBER / DWG NO.: LM300-2	
	NAME	SIGNATURE	DATE	REVISION	DESCRIPTION: Multi Activity Centre HARBOUR Midi
DRAWN	R.Fedotov		11.12.2017		
APPV'D					
 Tiptaptap OÜ Tiptaptap OÜ Veetorni 9, Jüri alevik, Rae vald, 75301 Harjumaa		MATERIAL: wood, metal, plastic		A4	
WEIGHT:		SCALE: 1:80		SHEET 6 OF 31	

platform A



ITEM NO.	PART NUMBER	DESCRIPTION	QTY.
D 1	slide h_1550	stainless steel, PE plastic	1
2	side panel 750x300 wave	plywood	2
3	climbing panel h.1200	laminated wood, plywood	1
4	post 98x98x2100	laminated wood	2
5	rope	PP covered steel wire	1
6	post 98x98x2800	laminated wood	2
7	guardrail Ø40x770 with 1 hole	painted steel	1
E 8	platform	laminated wood, metal	2
9	slide guard block	plywood, painted steel	1
10	panel 750x750	plywood	3
11	post 98x98x2450	laminated wood	2

UNLESS OTHERWISE SPECIFIED:
DIMENSIONS ARE IN MILLIMETERS
WEIGHT ARE IN KILOGRAMM

Lekplatsgrossisten.se

PART NUMBER / DWG NO.:

LM300-2

	NAME	SIGNATURE	DATE	REVISION
DRAWN	R.Fedotov		11.12.2017	
APPV'D				

DESCRIPTION:

Multi Activity Centre HARBOUR Midi



Tiptaptap OÜ

Tiptaptap OÜ
Veetorni 9,
Jüri alevik, Rae vald,
75301 Harjumaa

MATERIAL:

wood, metal, plastic

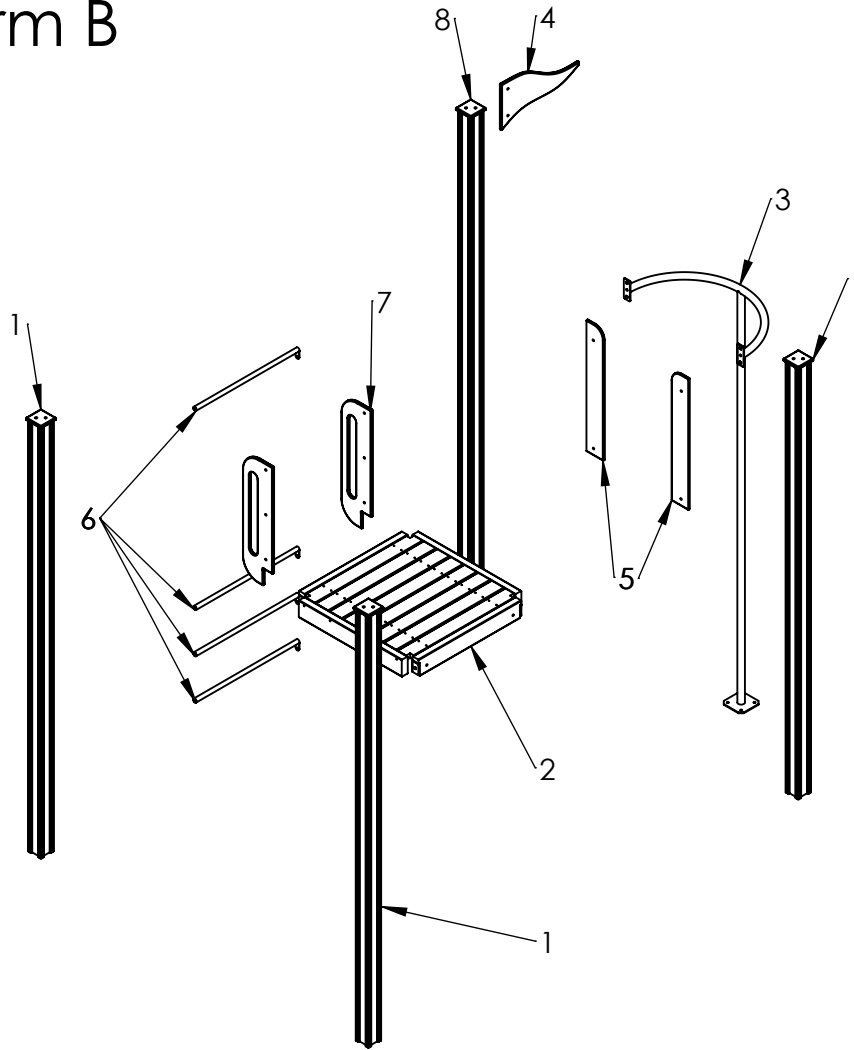
A4

WEIGHT:


SCALE: 1:40

SHEET 7 OF 31

platform B



ITEM NO.	PART NUMBER	DESCRIPTION	QTY.
1	post 98x98x2800	laminated wood	3
2	platform	laminated wood, metal	1
3	climbing pole	galvanized painted steel	1
4	flag	plywood	1
5	panel 850x126	plywood	2
6	guardrail ϕ 25x770	painted steel	4
7	handle 225x830	PE plastic	2
8	post 98x98x3200	laminated wood	1

UNLESS OTHERWISE SPECIFIED: DIMENSIONS ARE IN MILLIMETERS WEIGHT ARE IN KILOGRAMM		Lekplatsgrossisten.se			PART NUMBER / DWG NO.: LM300-2	
NAME	SIGNATURE	DATE	REVISION	DESCRIPTION: Multi Activity Centre HARBOUR Midi		
DRAWN R.Fedotov		11.12.2017		MATERIAL: wood, metal, plastic		
APPV'D				WEIGHT:		A4
 Tiptiptap OÜ Veetorni 9, Jüri alevik, Rae vald, 75301 Harjumaa				SCALE: 1:40		SHEET 8 OF 31

platform C

A

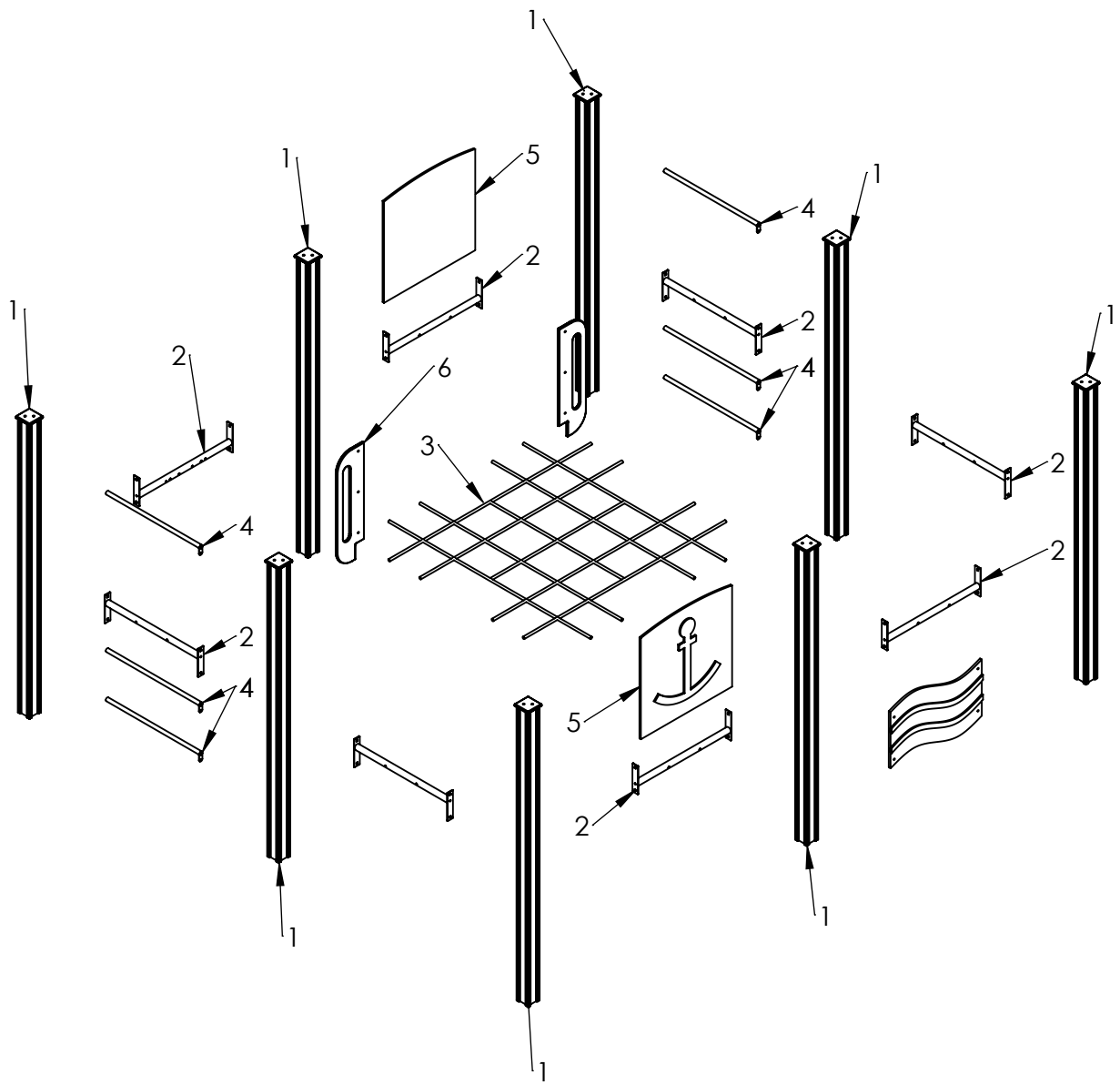
B

C

D

E

F



ITEM NO.	PART NUMBER
1	post 98x98x2100
2	beam 40x770_2 holes
3	net 1670x1670
4	guardrail ϕ 25x770
5	panel 750x750
6	handle 225x830

UNLESS OTHERWISE SPECIFIED:
DIMENSIONS ARE IN MILLIMETERS
WEIGHT ARE IN KILOGRAMM

Lekplatsgrossisten.se

PART NUMBER / DWG NO.:

LM300-2

	NAME	SIGNATURE	DATE	REVISION
DRAWN	R.Fedotov		11.12.2017	
APPV'D				

DESCRIPTION:

Multi Activity Centre HARBOUR Midi



Tiptaptap OÜ

Tiptaptap OÜ
Veetorni 9,
Jüri alevik, Rae vald,
75301 Harjumaa

MATERIAL:

wood, metal, plastic

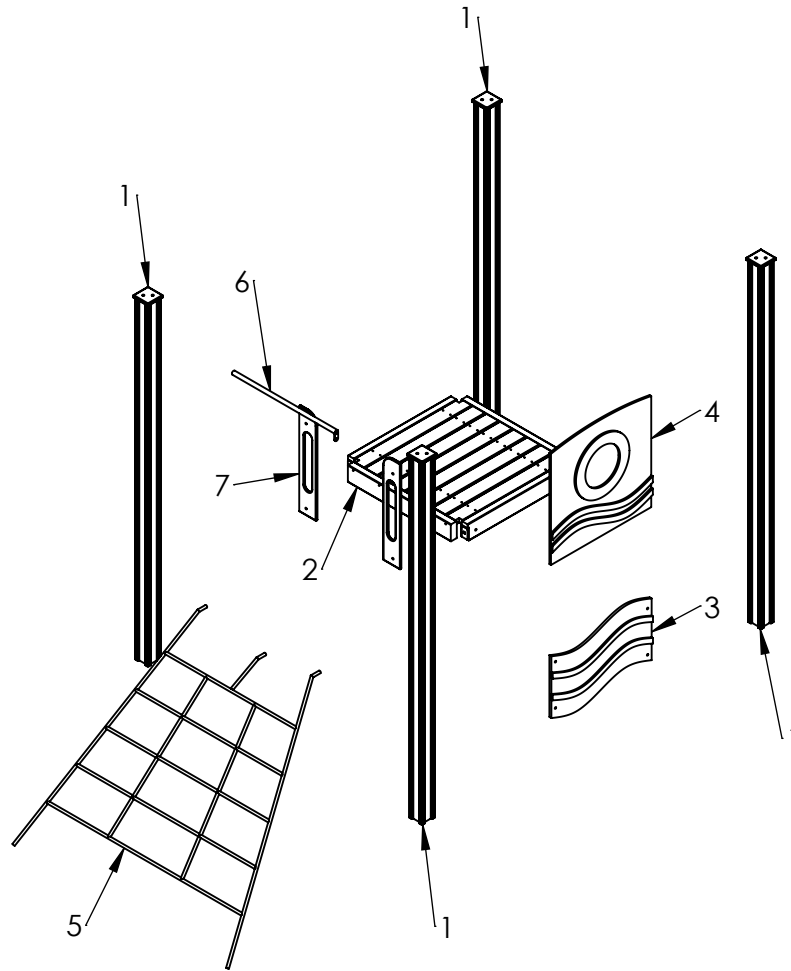
A4

WEIGHT:


SCALE: 1:40

SHEET 9 OF 31

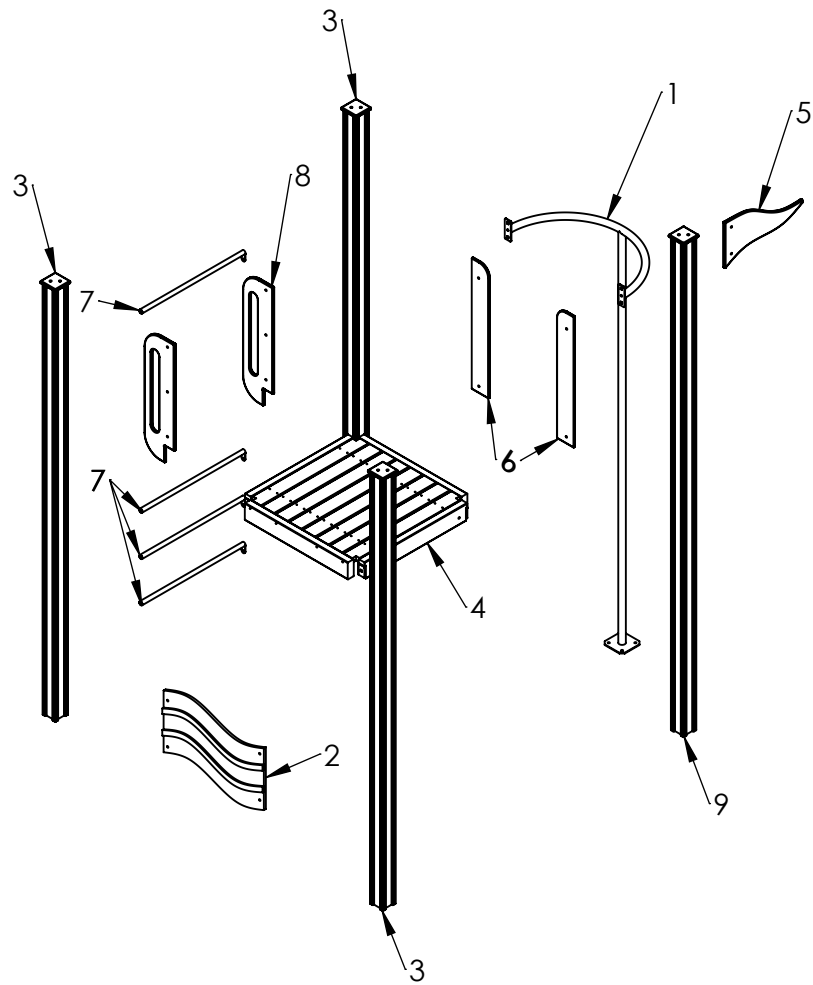
platform D



ITEM NO.	PART NUMBER	DESCRIPTION	QTY.
1	post 98x98x2350	laminated wood	4
2	platform	laminated wood, metal	1
3	side panel 750x300 wave	plywood	1
4	panel 750x750 for platform D	plywood	1
5	rope ladder h_1200	PP covered steel wire	1
6	guardrail ϕ 25x770	painted steel	1
7	panel 850x126	plywood	2

UNLESS OTHERWISE SPECIFIED: DIMENSIONS ARE IN MILLIMETERS WEIGHT ARE IN KILOGRAMM		Lekplatsgrossisten.se			PART NUMBER / DWG NO.: LM300-2	
	NAME	SIGNATURE	DATE	REVISION	DESCRIPTION: Multi Activity Centre HARBOUR Midi	
DRAWN	R.Fedotov		11.12.2017		MATERIAL: wood, metal, plastic	
APPV'D					A4	
 Tiptiptap OÜ Veetorni 9, Jüri alevik, Rae vald, 75301 Harjumaa					WEIGHT:	SCALE: 1:40
						SHEET 10 OF 31

platform E



ITEM NO.	PART NUMBER	DESCRIPTION	QTY.
1	climbing pole	galvanized painted steel	1
2	side panel 750x300 wave	plywood	1
3	post 98x98x2800	laminated wood	3
4	platform	laminated wood, metal	1
5	flag	plywood	1
6	panel 850x126	plywood	2
7	guardrail ϕ 25x770	painted steel	4
8	handle 225x830	PE plastic	2
9	post 98x98x3200	laminated wood	1

UNLESS OTHERWISE SPECIFIED:
DIMENSIONS ARE IN MILLIMETERS
WEIGHT ARE IN KILOGRAMM

Lekplatsgrossisten.se

PART NUMBER / DWG NO.:

LM300-2

	NAME	SIGNATURE	DATE	REVISION
DRAWN	R.Fedotov		11.12.2017	
APPV'D				

DESCRIPTION:

Multi Activity Centre HARBOUR Midi



Tiptaptap OÜ

Tiptaptap OÜ
Veetorni 9,
Jüri alevik, Rae vald,
75301 Harjumaa

MATERIAL:

wood, metal, plastic

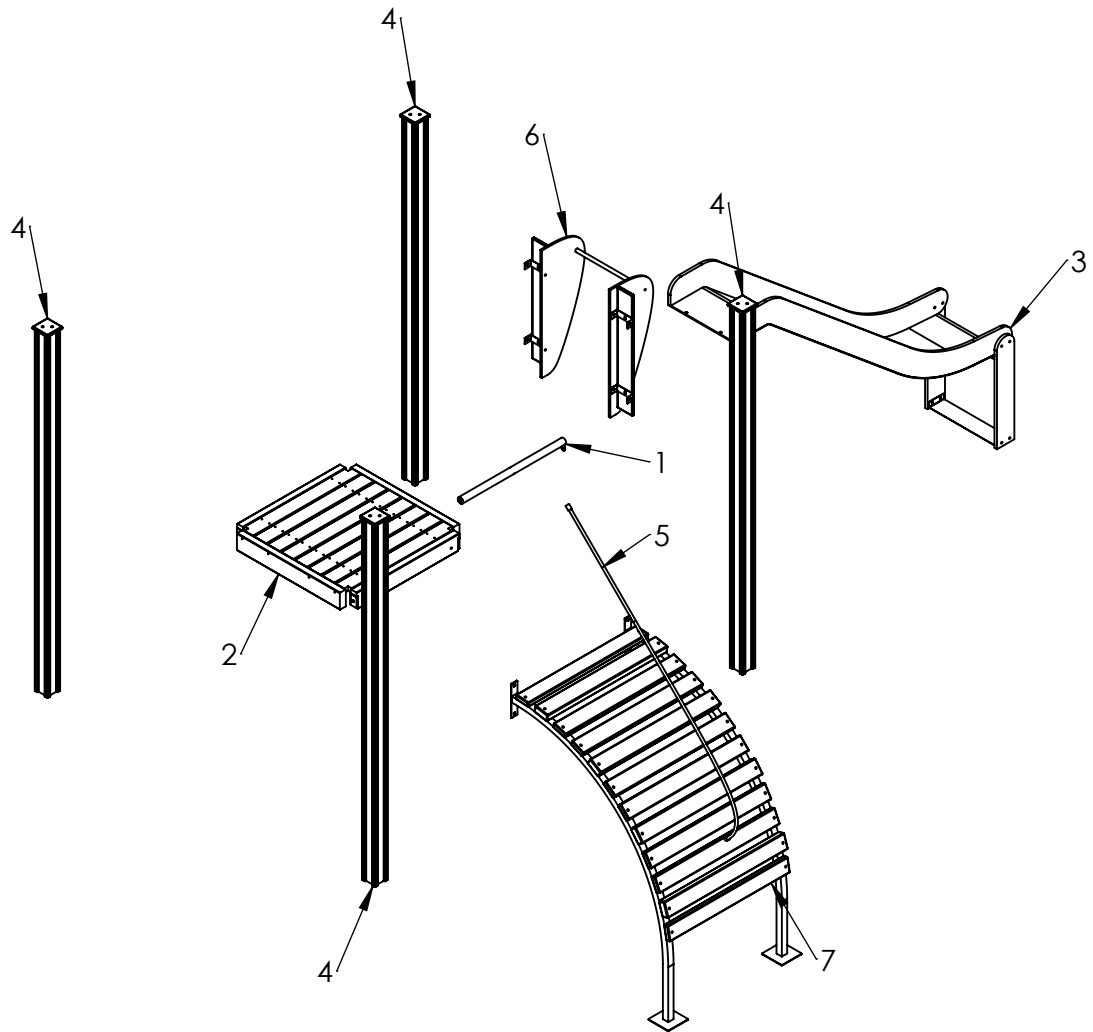
A4

WEIGHT:


SCALE: 1:40

SHEET 11 OF 31

platform F



ITEM NO.	PART NUMBER	DESCRIPTION	QTY.
1	guardrail d.40x770	painted steel	1
2	platform	laminated wood, metal	1
3	slide h_1200	stainless steel, PE plastic	1
4	post 98x98x2350	laminated wood	4
5	rope	PP covered steel wire	1
6	slide guard block	plywood, painted steel	1
7	curved ramp	wood, metal	1

UNLESS OTHERWISE SPECIFIED: DIMENSIONS ARE IN MILLIMETERS WEIGHT ARE IN KILOGRAMM		Lekplatsgrossisten.se			PART NUMBER / DWG NO.: LM300-2	
NAME	SIGNATURE	DATE	REVISION		DESCRIPTION: Multi Activity Centre HARBOUR Midi	
DRAWN	R.Fedotov	11.12.2017				
APPV'D						
 Tiptaptap OÜ Veetorni 9, Jüri alevik, Rae vald, 75301 Harjumaa		MATERIAL: wood, metal, plastic		A4		
WEIGHT:		SCALE: 1:40		SHEET 12 OF 31		

platform G

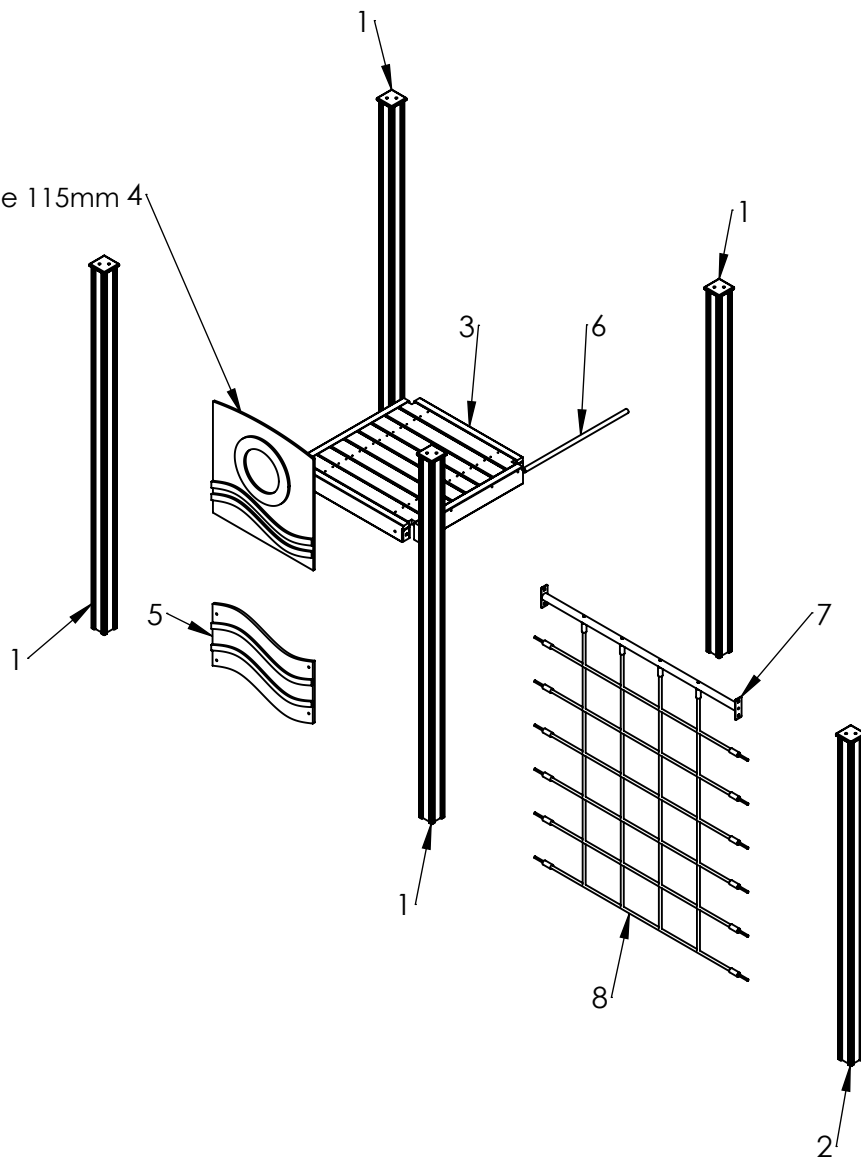
A

B


C

D

holes from bottom edge 115mm 4

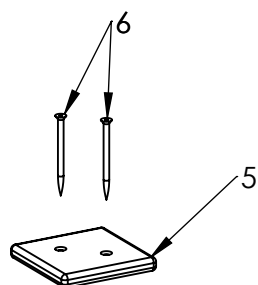


ITEM NO.	PART NUMBER	DESCRIPTION	QTY.
1	post 98x98x2350	laminated wood	4
2	post 98x98x2100	laminated wood	1
3	platform	laminated wood, metal	1
4	panel 750x750 for platform G	plywood	1
5	side panel 750x300 wave	plywood	1
6	guardrail Ø25x770	painted steel	1
7	beam Ø40x1455 for net-4 holes	painted steel	1
8	climbing net 1455x1715	PP covered steel wire	1

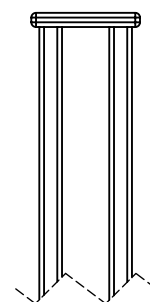
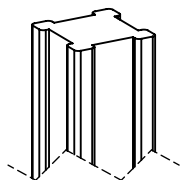
UNLESS OTHERWISE SPECIFIED: DIMENSIONS ARE IN MILLIMETERS WEIGHT ARE IN KILOGRAMM		Lekplatsgrossisten.se			PART NUMBER / DWG NO.: LM300-2		
NAME	SIGNATURE	DATE	REVISION		DESCRIPTION: Multi Activity Centre HARBOUR Midi		
DRAWN R.Fedotov		11.12.2017					
APPV'D							
 Tiptaptap OÜ Veetorni 9, Jüri alevik, Rae vald, 75301 Harjumaa				MATERIAL: wood, metal, plastic		A4	
				WEIGHT:		SCALE: 1:40	
						SHEET 13 OF 31	

F

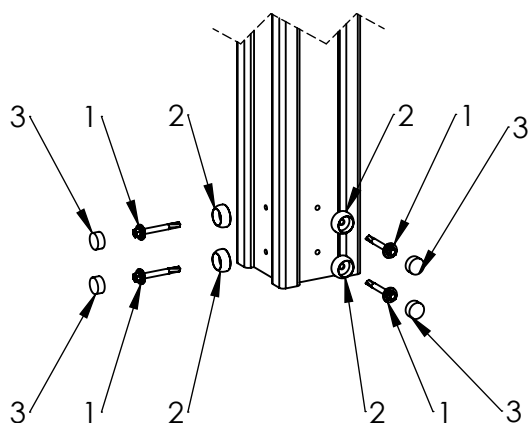
A



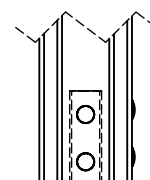
B



C



ground



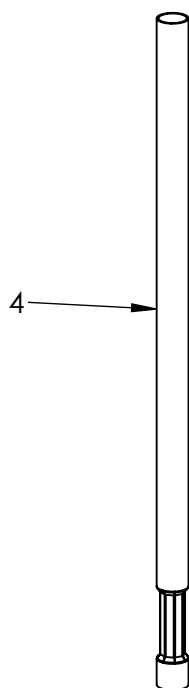
50

300

600

concrete

D



Ø 300

E

ITEM NO.	PART NUMBER
1	screw 5,5x50 DIN7504K
2	nut cover M6
3	nut cover cap M6
4	metal ground fixing L_750
5	plastic cap 115x115
6	wood screw 6 x 90

UNLESS OTHERWISE SPECIFIED:
DIMENSIONS ARE IN MILLIMETERS
WEIGHT ARE IN KILOGRAMM

Lekplatsgrossisten.se

PART NUMBER / DWG NO.:

LM300-2

	NAME	SIGNATURE	DATE	REVISION
DRAWN	R.Fedotov		11.12.2017	
APPV'D				

DESCRIPTION:

Multi Activity Centre HARBOUR Midi
connecting metal ground fixing to post

F



Tiptaptap OÜ

Tiptaptap OÜ
Veetorni 9,
Jüri alevik, Rae vald,
75301 Harjumaa

MATERIAL:

wood, metal, plastic

A4

WEIGHT:

SCALE: 1:8

SHEET 14 OF 31

A

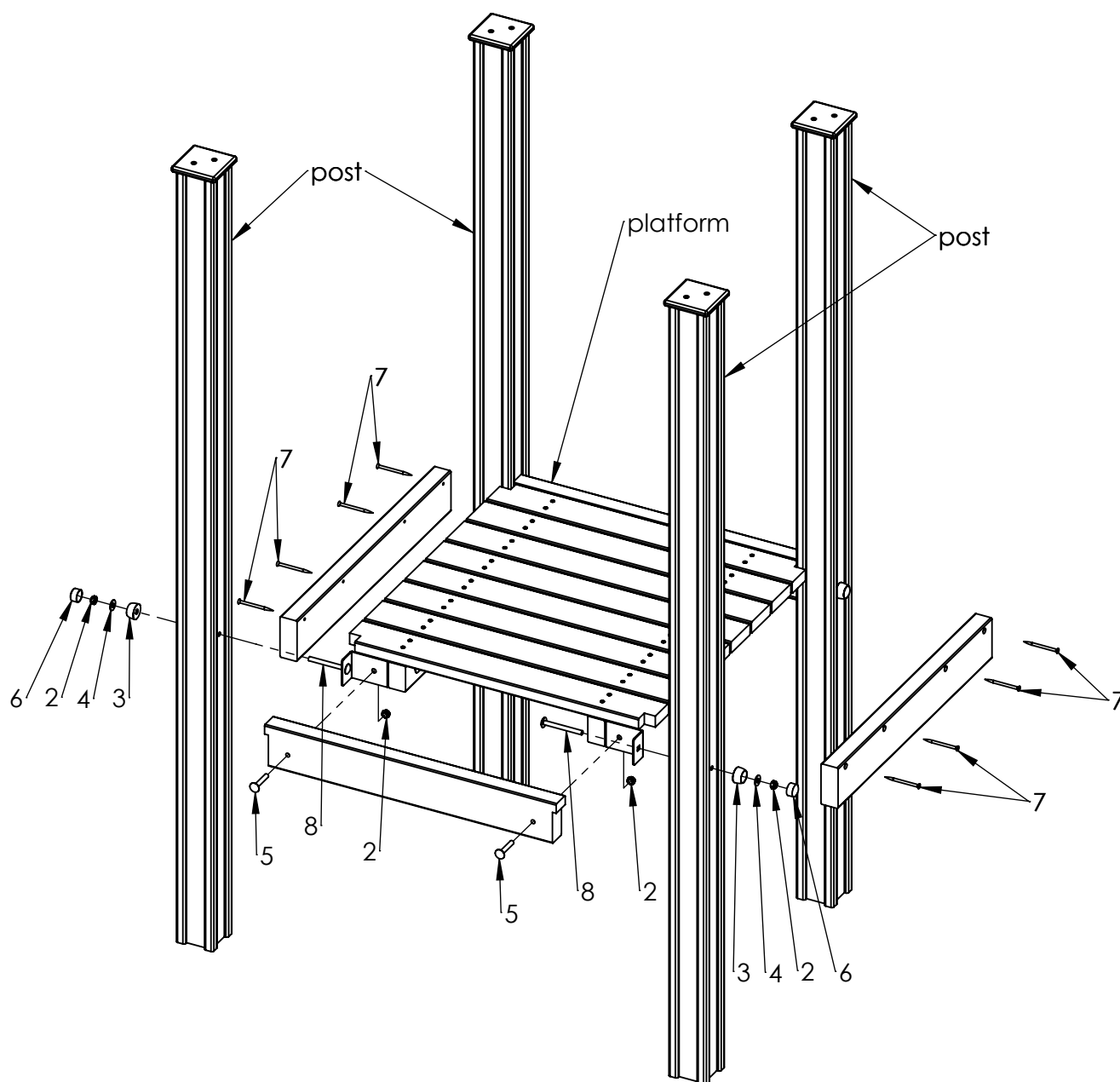
B

C

D

E

F



ITEM NO.	PART NUMBER
1	wood screw 4,5 x 70
2	nut M10 DIN985
3	nut cover M12
4	washer M10 DIN9054
5	bolt M10x60 DIN603
6	nut cover cap M12
7	wood screw 6 x 90

UNLESS OTHERWISE SPECIFIED:
DIMENSIONS ARE IN MILLIMETERS
WEIGHT ARE IN KILOGRAMM

PART NUMBER / DWG NO.:

LM300-2

	NAME	SIGNATURE	DATE	REVISION
DRAWN	R.Fedotov		11.12.2017	
APPV'D				

DESCRIPTION:

Multi Activity Centre HARBOUR Midi
connecting platform to post

MATERIAL:

wood, metal, plastic

A4

WEIGHT:

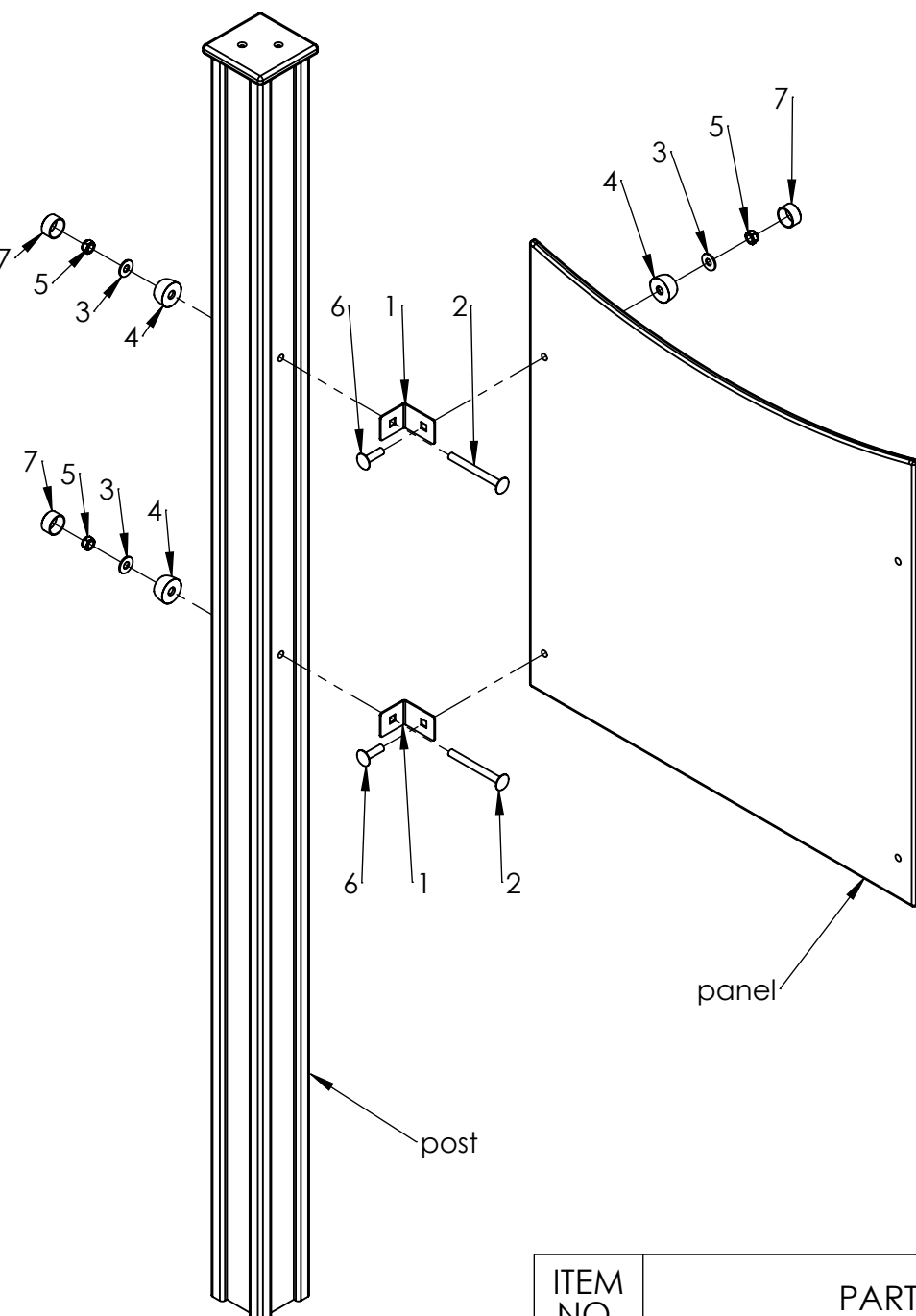
SCALE: 1:15

SHEET 15 OF 31



Tiptap OÜ

Tiptap OÜ
Veetorni 9,
Jüri alevik, Rae vald,
75301 Harjumaa

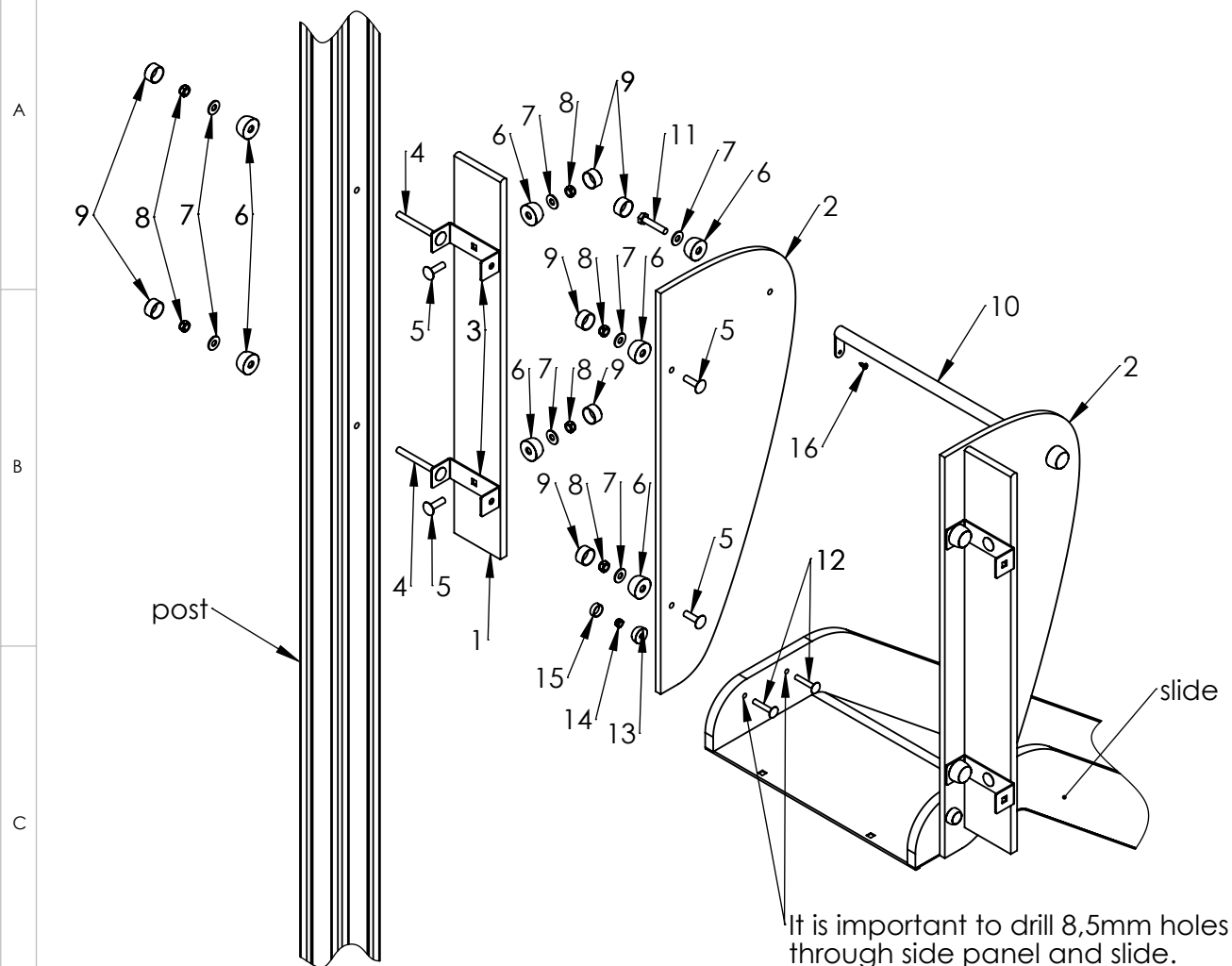


ITEM NO.	PART NUMBER
1	corner 48x60
2	bolt M10x100 DIN603
3	washer M10 DIN9054
4	nut cover M12
5	nut M10 DIN985
6	bolt M10x35 DIN603
7	nut cover cap M12

UNLESS OTHERWISE SPECIFIED: DIMENSIONS ARE IN MILLIMETERS WEIGHT ARE IN KILOGRAMM				
	NAME	SIGNATURE	DATE	REVISION
DRAWN	R.Fedotov		11.12.2017	
APPV'D				

PART NUMBER / DWG NO.:		LM300-2	
DESCRIPTION:			
Multi Activity Centre HARBOUR Midi connecting panel to post			
MATERIAL:		wood, metal, plastic	A4
WEIGHT:		SCALE: 1:10	SHEET 16 OF 31


Tiptaptap OÜ
 Veetorni 9,
 Jüri alevik, Rae vald,
 75301 Harjumaa



It is important to drill 8,5mm holes through side panel and slide.

ITEM NO.	PART NUMBER
1	side panel 110x780
2	slide side panel
3	slide side panel fixing 40x120
4	bolt M10x100 DIN603
5	bolt M10x35 DIN603
6	nut cover M12
7	washer M10 DIN9054
8	nut M10 DIN985
9	nut cover cap M12
10	slide guardrail
11	bolt M10x50 DIN931
12	bolt M8x45 DIN603
13	nut cover M8
14	nut M8 DIN985
15	nut cover cap M8
16	wood screw 4,8x13

UNLESS OTHERWISE SPECIFIED:
DIMENSIONS ARE IN MILLIMETERS
WEIGHT ARE IN KILOGRAMM

Lekplatsgrossisten.se

PART NUMBER / DWG NO.:

LM300-2

	NAME	SIGNATURE	DATE	REVISION
DRAWN	R.Fedotov		11.12.2017	
APPV'D				

DESCRIPTION:

Multi Activity Centre HARBOUR Midi
connecting silde quard block to post

MATERIAL:

wood, metal, plastic

A4

WEIGHT:

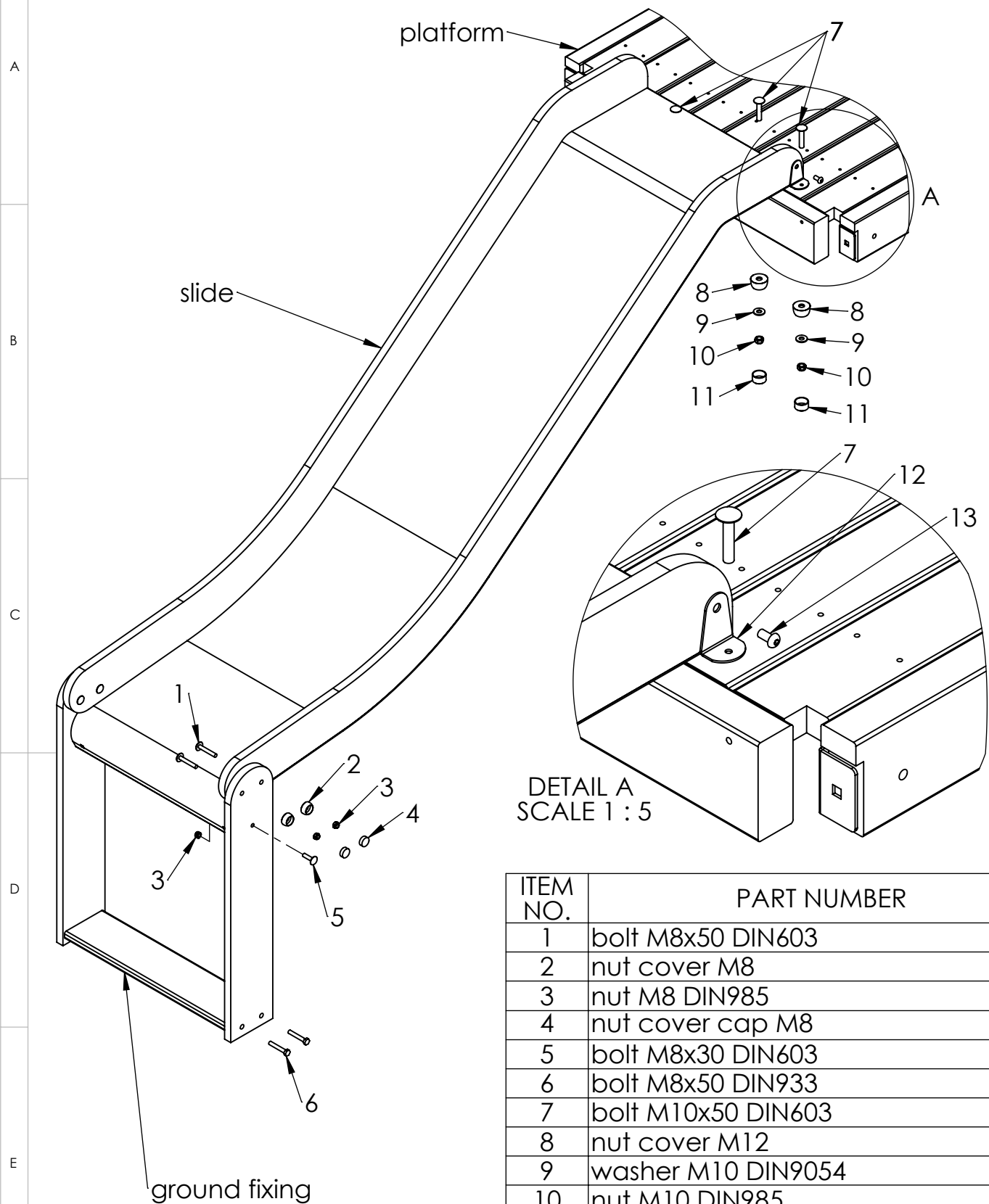
SCALE: 1:12

SHEET 17 OF 31



Tiptap OÜ

Tiptap OÜ
Veetorni 9,
Jüri alevik, Rae vald,
75301 Harjumaa



DETAIL A
SCALE 1 : 5

ITEM NO.	PART NUMBER
1	bolt M8x50 DIN603
2	nut cover M8
3	nut M8 DIN985
4	nut cover cap M8
5	bolt M8x30 DIN603
6	bolt M8x50 DIN933
7	bolt M10x50 DIN603
8	nut cover M12
9	washer M10 DIN9054
10	nut M10 DIN985
11	nut cover cap M12
12	corner 58x30
13	metal screw M8x16 DIN7380

UNLESS OTHERWISE SPECIFIED:
DIMENSIONS ARE IN MILLIMETERS
WEIGHT ARE IN KILOGRAMM

PART NUMBER / DWG NO.:

LM300-2

	NAME	SIGNATURE	DATE	REVISION
DRAWN	R.Fedotov		15.09.2016	
APPV'D				

DESCRIPTION:

Multi Activity Centre HARBOUR Midi
connecting slide to platform

MATERIAL:

wood, metal, plastic

A4

WEIGHT:

SCALE: 1:12

SHEET 18 OF 31



Tiptap OÜ

Tiptap OÜ
Veetorni 9,
Jüri alevik, Rae vald,
75301 Harjumaa

A

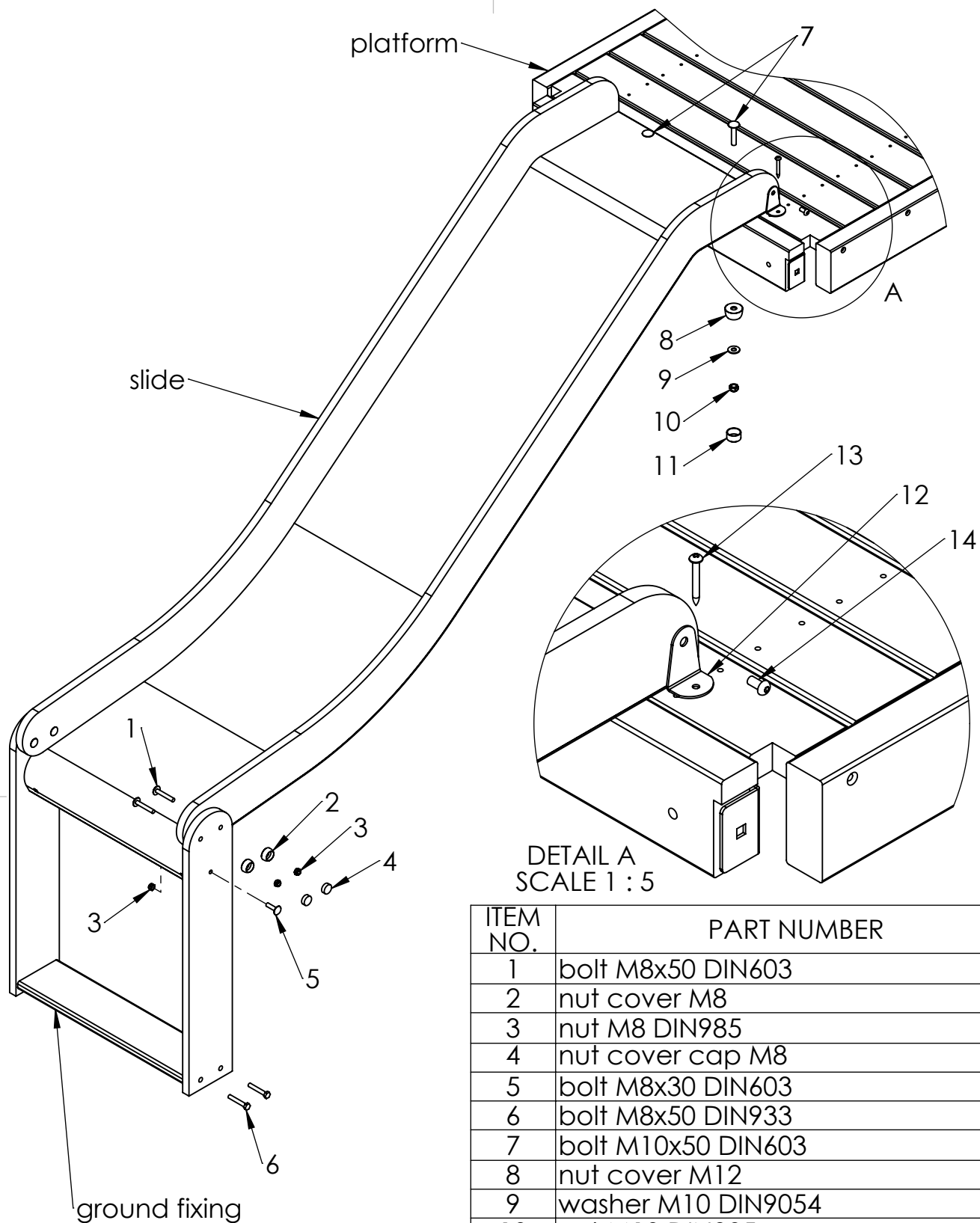
B

C

D

E

F



DETAIL A
SCALE 1 : 5

ITEM NO.	PART NUMBER
1	bolt M8x50 DIN603
2	nut cover M8
3	nut M8 DIN985
4	nut cover cap M8
5	bolt M8x30 DIN603
6	bolt M8x50 DIN933
7	bolt M10x50 DIN603
8	nut cover M12
9	washer M10 DIN9054
10	nut M10 DIN985
11	nut cover cap M12
12	corner 58x30
13	screw 4,8x40
14	metal screw M8x16 DIN7380

UNLESS OTHERWISE SPECIFIED:
DIMENSIONS ARE IN MILLIMETERS
WEIGHT ARE IN KILOGRAMM

	NAME	SIGNATURE	DATE	REVISION
DRAWN	R.Fedotov		15.09.2016	
APPV'D				

PART NUMBER / DWG NO.:

LM300-2

DESCRIPTION:

Multi Activity Centre HARBOUR Midi
connecting slide to platform

MATERIAL:

wood, metal, plastic

A4

WEIGHT:

SCALE: 1:12

SHEET 19 OF 31



Tiptap OÜ

Tiptap OÜ
Veetorni 9,
Jüri alevik, Rae vald,
75301 Harjumaa

A

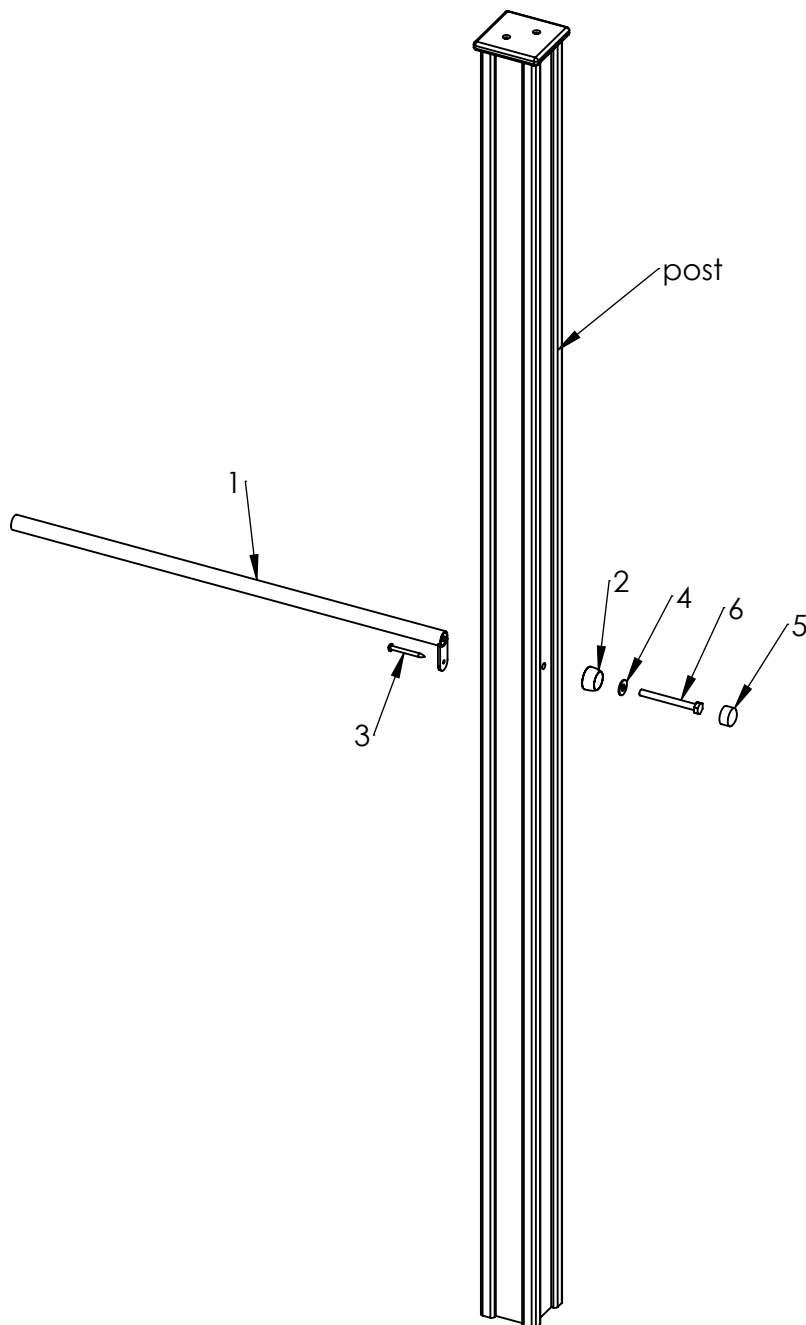
B

C

D

E

F



ITEM NO.	PART NUMBER
1	guardrail ϕ 25x770
2	nut cover M12
3	screw 5,0x40
4	washer M10 DIN9054
5	nut cover cap M12
6	bolt M10x100 DIN931

UNLESS OTHERWISE SPECIFIED:
DIMENSIONS ARE IN MILLIMETERS
WEIGHT ARE IN KILOGRAMM

Lekplatsgrossisten.se

PART NUMBER / DWG NO.:

LM300-2
connecting guardrail to post

	NAME	SIGNATURE	DATE	REVISION
DRAWN	R.Fedotov		11.12.2017	
APPV'D				

DESCRIPTION:

Multi Activity Centre HARBOUR Midi



Tiptaptap OÜ

Tiptaptap OÜ
Veetorni 9,
Jüri alevik, Rae vald,
75301 Harjumaa

MATERIAL:

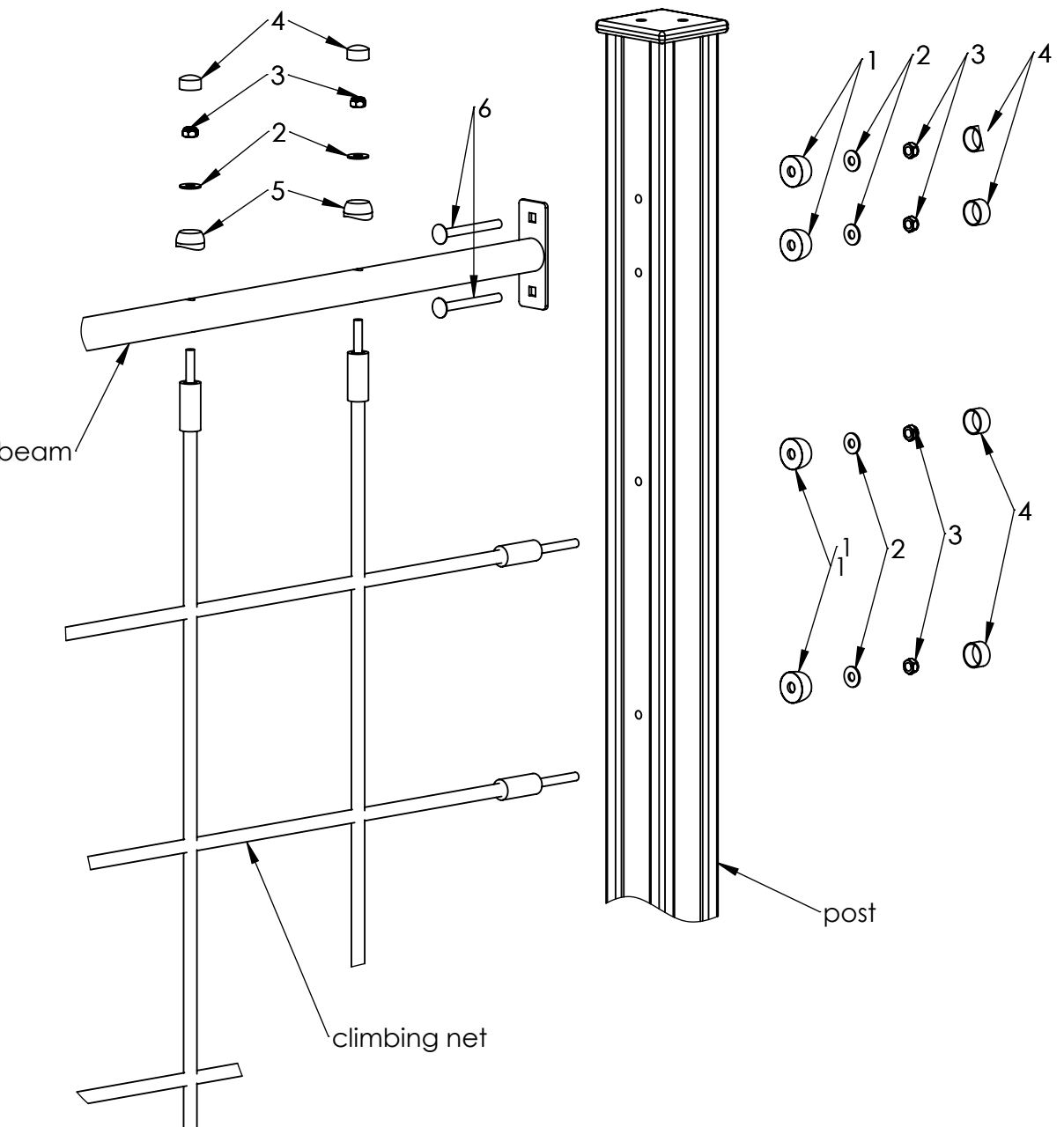
wood, metal, plastic

A4

WEIGHT:

SCALE: 1:12

SHEET 20 OF 31



ITEM NO.	PART NUMBER
1	nut cover M12
2	washer M10 DIN9054
3	nut M10 DIN985
4	nut cover cap M12
5	nut cover M12 for beam
6	bolt M10x100 DIN603

UNLESS OTHERWISE SPECIFIED:
DIMENSIONS ARE IN MILLIMETERS
WEIGHT ARE IN KILOGRAMM

Lekplatsgrossisten.se

PART NUMBER / DWG NO.:
LM300-2

	NAME	SIGNATURE	DATE	REVISION
DRAWN	R.Fedotov		11.12.2017	
APPV'D				

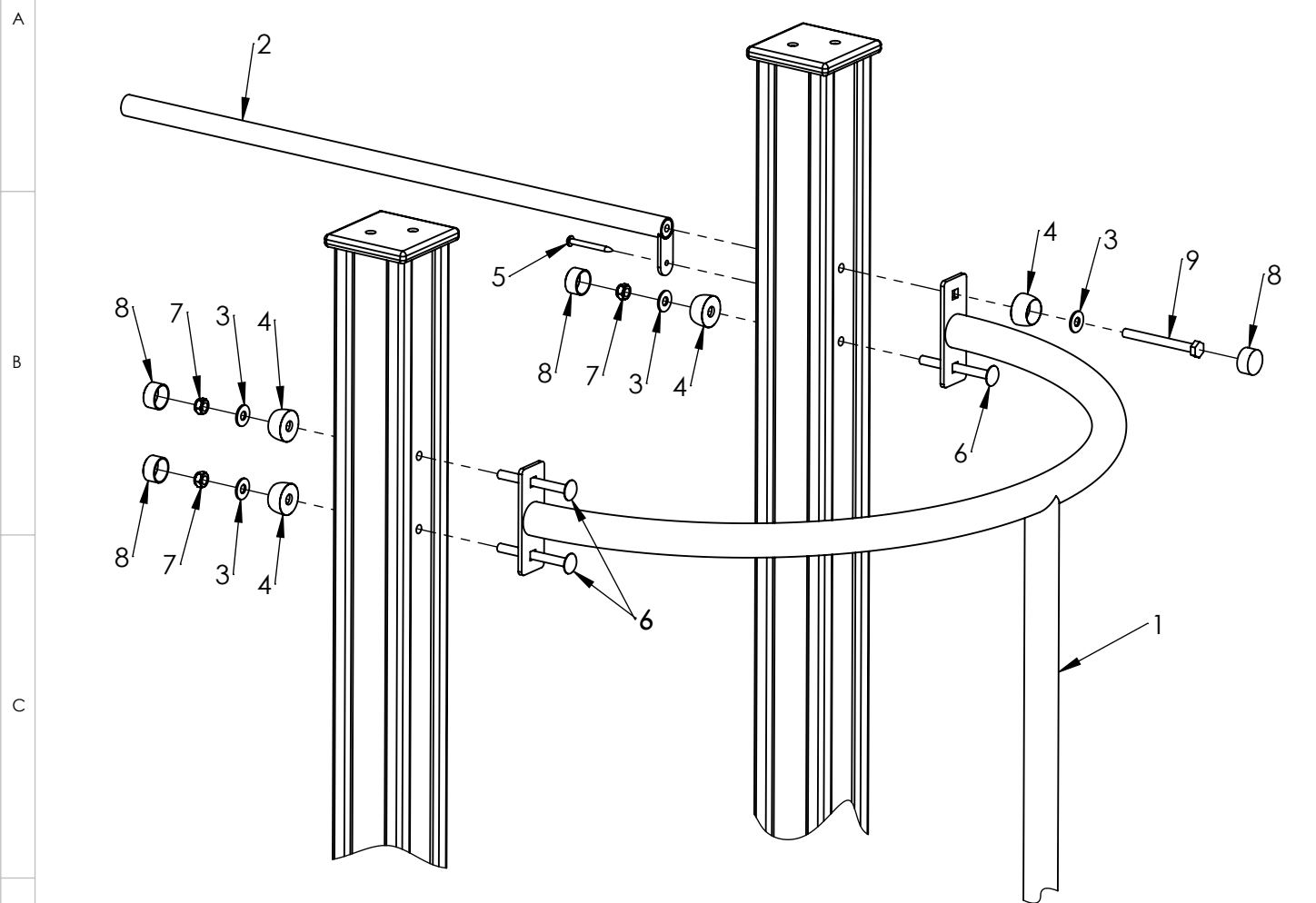
DESCRIPTION:
**Multi Activity Centre HARBOUR Midi
connecting beam and climbing net to post**



Tiptaptap OÜ

Tiptaptap OÜ
Veetorni 9,
Jüri alevik, Rae vald,
75301 Harjumaa

MATERIAL:	wood, metal, plastic	A4
WEIGHT:	SCALE: 1:8	SHEET 21 OF 31



ITEM NO.	PART NUMBER
1	climbing pole
2	guardrail ϕ 25x770
3	washer M10 DIN9054
4	nut cover M12
5	screw 5,0x40
6	bolt M10x100 DIN603
7	nut M10 DIN985
8	nut cover cap M12
9	bolt M10x100 DIN931

UNLESS OTHERWISE SPECIFIED:
DIMENSIONS ARE IN MILLIMETERS
WEIGHT ARE IN KILOGRAMM

Lekplatsgrossisten.se

PART NUMBER / DWG NO.:

LM300-2

	NAME	SIGNATURE	DATE	REVISION
DRAWN	R.Fedotov		11.12.2017	
APPV'D				

DESCRIPTION:

Multi Activity Centre HARBOUR Midi
connecting climbing pole and quardrail to post

MATERIAL:

wood, metal, plastic

A4

WEIGHT:

SCALE: 1:8

SHEET 22 OF 31



Tiptap OÜ

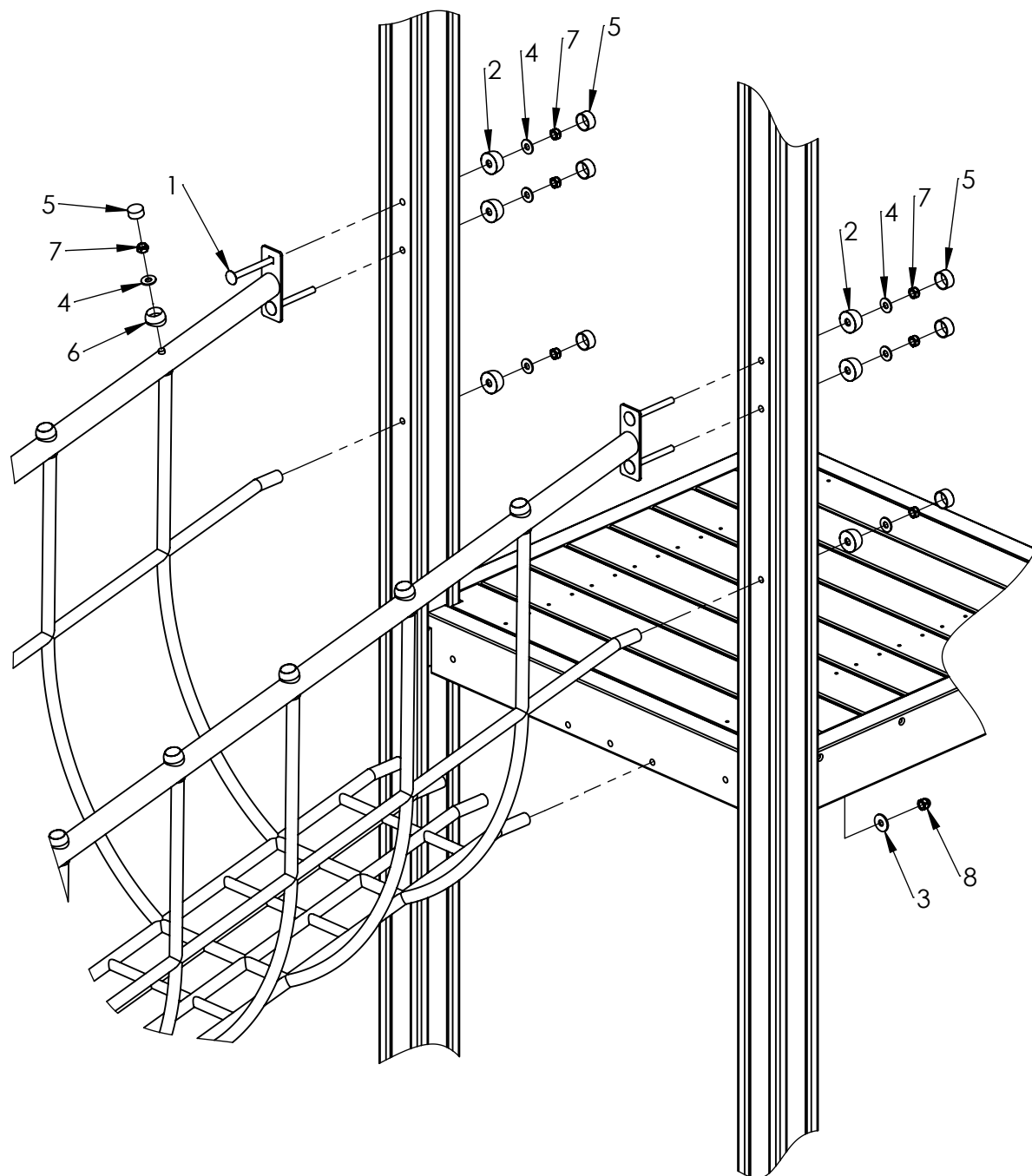
Tiptap OÜ
Veetorni 9,
Jüri alevik, Rae vald,
75301 Harjumaa

A

B

C

D



E

ITEM NO.	PART NUMBER
1	bolt M10x100 DIN603
2	nut cover M12
3	washer M10 DIN9021
4	washer M10 DIN9054
5	nut cover cap M12
6	nut cover M12 for beam
7	nut M10 DIN985
8	domed cap nut M10 DIN986

F

UNLESS OTHERWISE SPECIFIED:
DIMENSIONS ARE IN MILLIMETERS
WEIGHT ARE IN KILOGRAMM

Lekplatsgrossisten.se

PART NUMBER / DWG NO.:

LM300-2

	NAME	SIGNATURE	DATE	REVISION
DRAWN	R.Fedotov		11.12.2017	
APPV'D				

DESCRIPTION:

Multi Activity Centre HARBOUR Midi
connecting bridge to post and platform



Tiptaptap OÜ

Tiptaptap OÜ
Veetorni 9,
Jüri alevik, Rae vald,
75301 Harjumaa

MATERIAL:

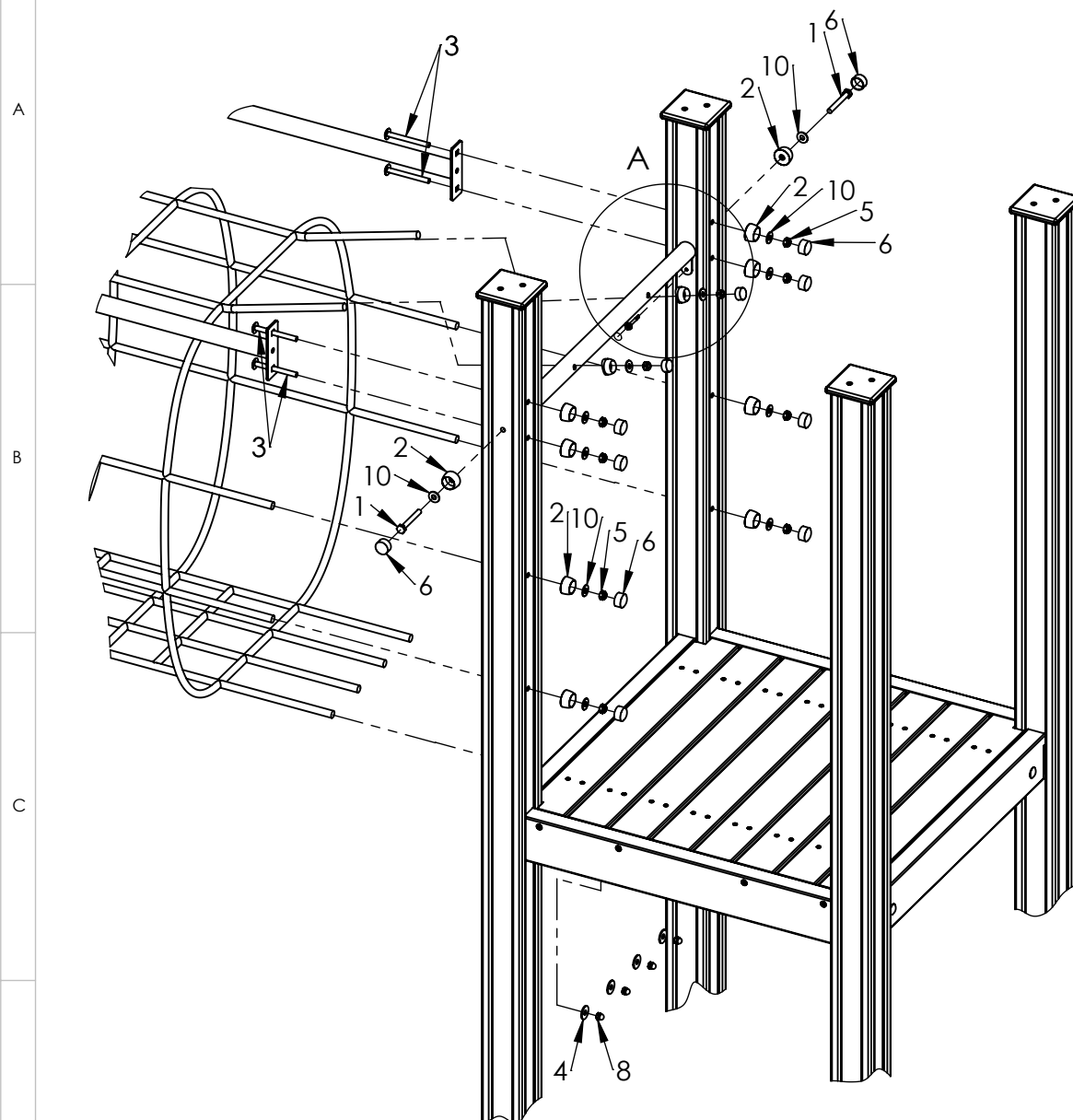
wood, metal, plastic

A4

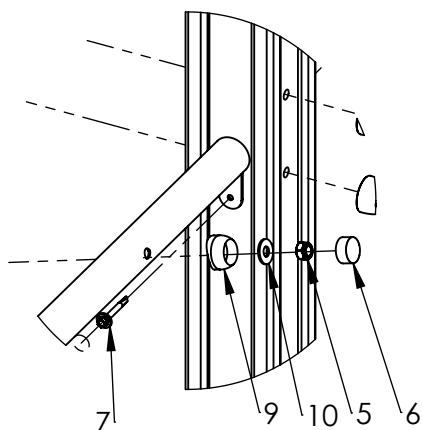
WEIGHT:

SCALE: 1:11

SHEET 23 OF 31



DETAIL A
SCALE 2 : 15



ITEM NO.	PART NUMBER
1	bolt M10x80 DIN931
2	nut cover M12
3	bolt M10x100 DIN603
4	washer M10 DIN9021
5	nut M10 DIN985
6	nut cover cap M12
7	screw DIN7996 6x60
8	domed cap nut M8 DIN986
9	nut cover M12 for beam
10	washer M10 DIN9054

UNLESS OTHERWISE SPECIFIED:
DIMENSIONS ARE IN MILLIMETERS
WEIGHT ARE IN KILOGRAMM

Lekplatsgrossisten.se

PART NUMBER / DWG NO.:

LM300-2

	NAME	SIGNATURE	DATE	REVISION
DRAWN	R.Fedotov		11.12.2017	
APPV'D				

DESCRIPTION:

Multi Activity Centre HARBOUR Midi
connecting rope tunnel to post and platform

MATERIAL:

wood, metal, plastic

A4

WEIGHT:

SCALE: 1:15

SHEET 24 OF 31



Tiptaptap OÜ

Tiptaptap OÜ
Veetorni 9,
Jüri alevik, Rae vald,
75301 Harjumaa

A

B

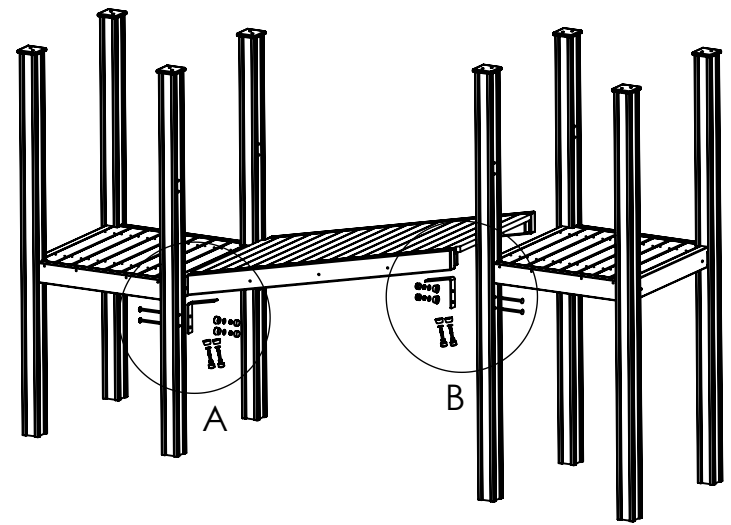
C

D

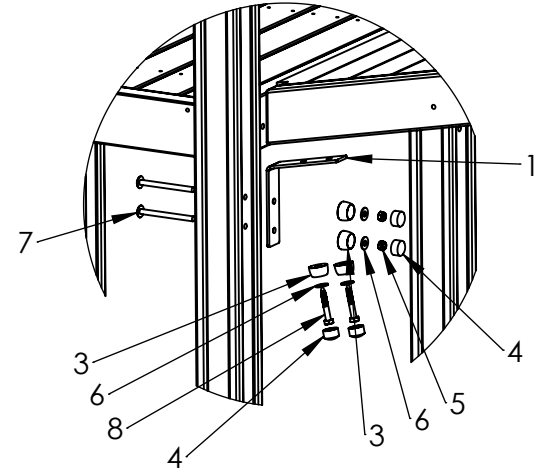
A

B

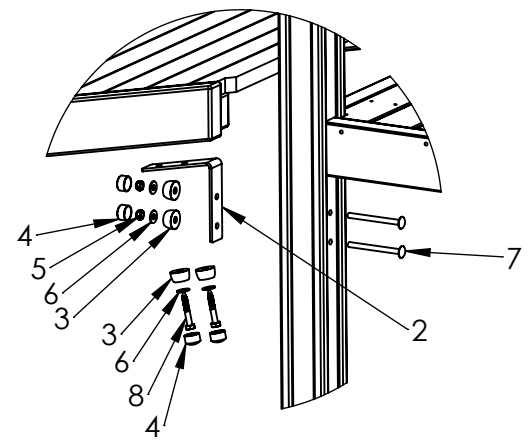
C




DETAIL A
SCALE 1 : 15

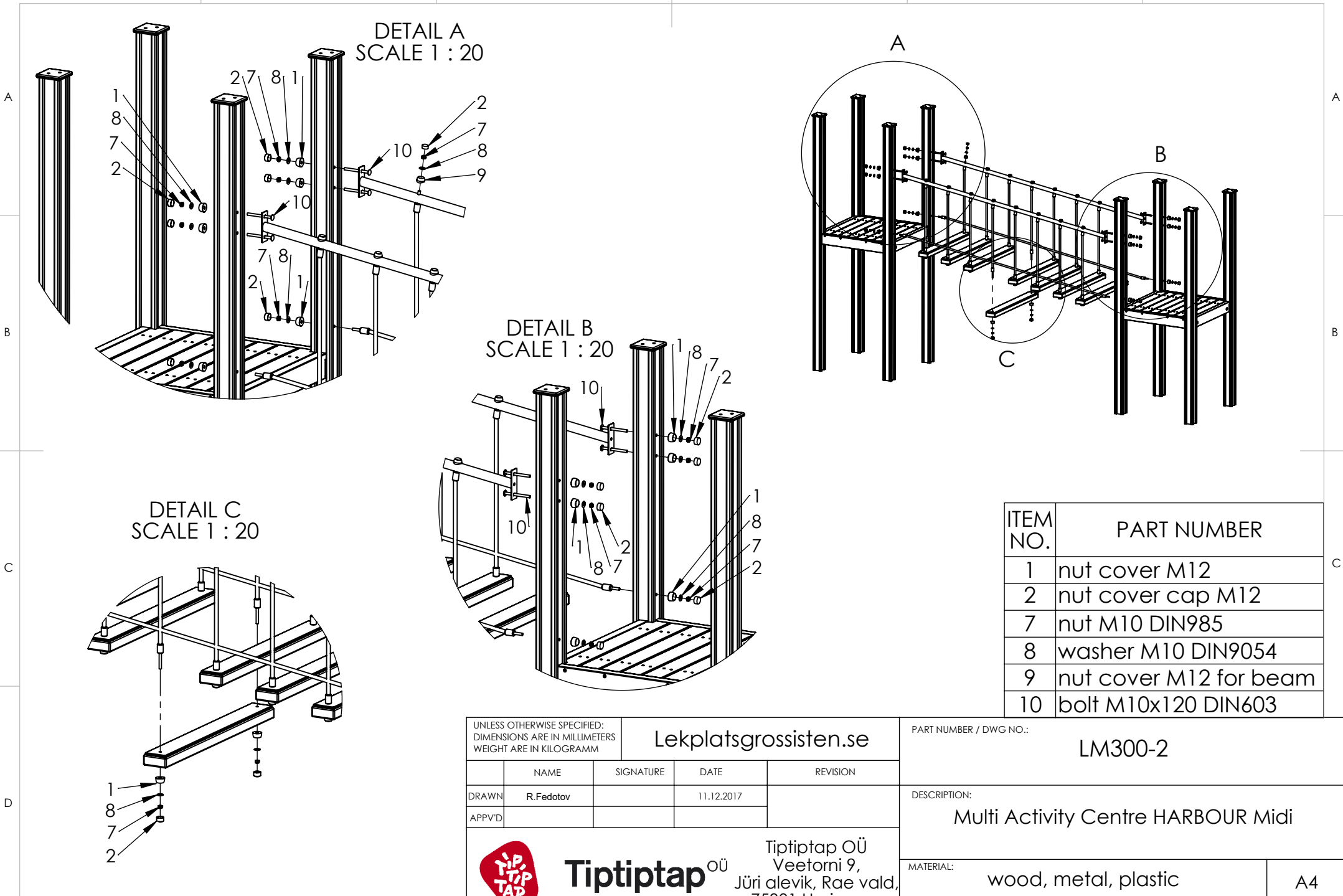


DETAIL B
SCALE 1 : 15



ITEM NO.	PART NUMBER
1	corner 160x160x45 102°
2	corner 160x160x45 78°
3	nut cover M12
4	nut cover cap M12
5	nut M10 DIN985
6	washer M10 DIN9054
7	bolt M10x120 DIN603
8	wood screw 10x70 DIN571

UNLESS OTHERWISE SPECIFIED: DIMENSIONS ARE IN MILLIMETERS WEIGHT ARE IN KILOGRAMM		Lekplatsgrossisten.se			PART NUMBER / DWG NO.: LM300-2	
	NAME	SIGNATURE	DATE	REVISION	DESCRIPTION: Multi Activity Centre HARBOUR Midi connecting bridge to post	
DRAWN	R.Fedotov		11.12.2017			
APPV'D						
 Tiptap OÜ Tiptap OÜ Veetorni 9, Jüri alevik, Rae vald, 75301 Harjumaa		MATERIAL: wood, metal, plastic		A4		
WEIGHT:		SCALE: 1:40		SHEET 25 OF 31		



ITEM NO.	PART NUMBER
1	nut cover M12
2	nut cover cap M12
7	nut M10 DIN985
8	washer M10 DIN9054
9	nut cover M12 for beam
10	bolt M10x120 DIN603

UNLESS OTHERWISE SPECIFIED:
DIMENSIONS ARE IN MILLIMETERS
WEIGHT ARE IN KILOGRAMM

Lekplatsgrossisten.se

NAME	SIGNATURE	DATE	REVISION
DRAWN R.Fedotov		11.12.2017	
APPV'D			

PART NUMBER / DWG NO.: LM300-2

DESCRIPTION:
Multi Activity Centre HARBOUR Midi

Tiptaptap OÜ
Tiptaptap OÜ
Veetorni 9,
Jüri alevik, Rae vald,
75301 Harjumaa

MATERIAL: wood, metal, plastic

WEIGHT: SCALE: 1:50 SHEET 26 OF 31

A

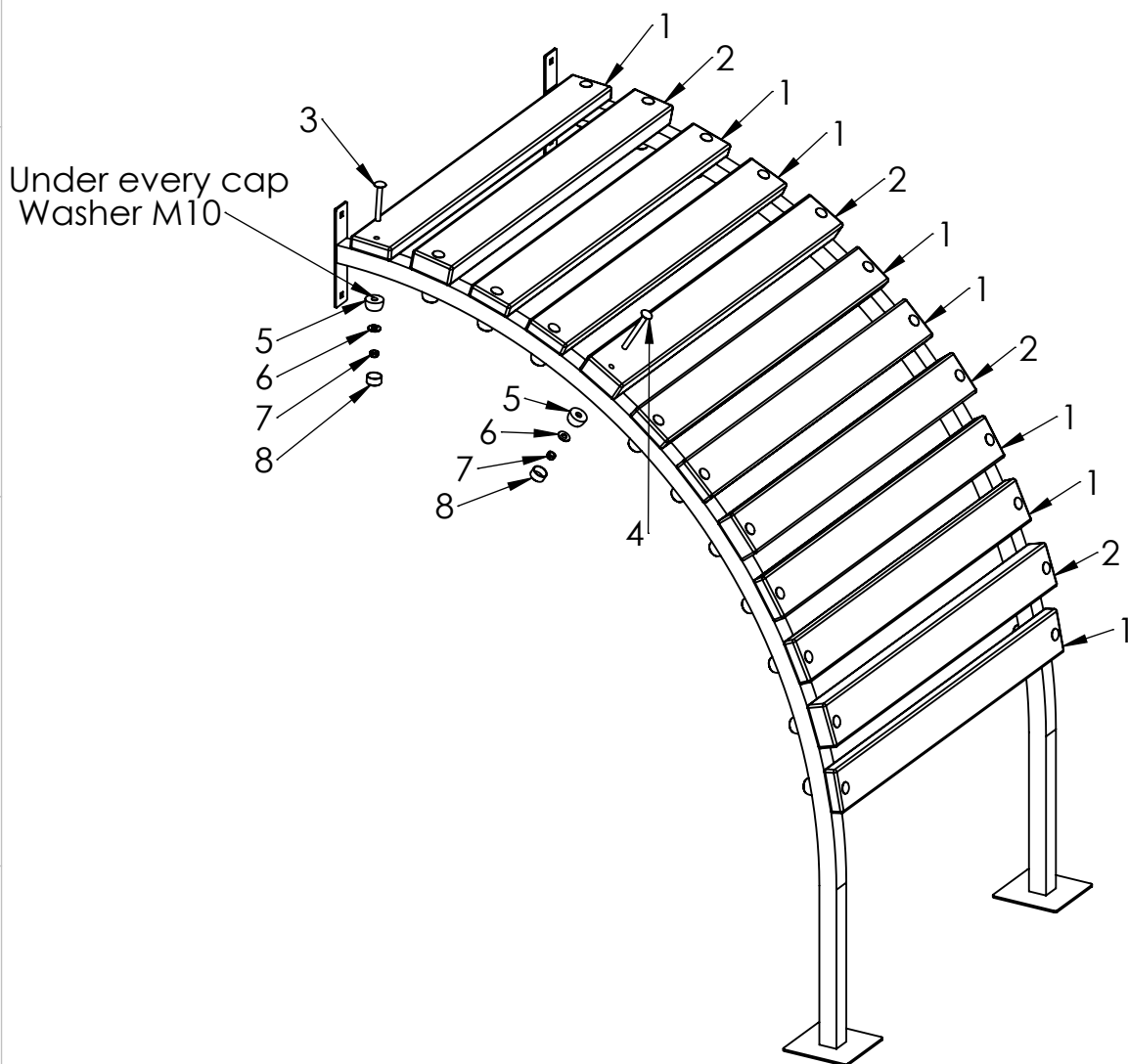
B

C

D

E

F



ITEM NO.	PART NUMBER
1	board 30x95x900
2	board 45x95x900
3	bolt DIN603 M10x90
4	bolt DIN603 M10x110
5	nut cover M12
6	Washer M10 DIN7349
7	nut DIN985 M10
8	nut cover cap M12

UNLESS OTHERWISE SPECIFIED:
DIMENSIONS ARE IN MILLIMETERS
WEIGHT ARE IN KILOGRAMM

Lekplatsgrossisten.se

PART NUMBER / DWG NO.:

LM300-2

	NAME	SIGNATURE	DATE	REVISION
DRAWN	R.Fedotov		11.12.2017	
APPV'D				

DESCRIPTION:

Multi Activity Centre HARBOUR Midi



Tiptap OÜ

Tiptap OÜ
Veetorni 9,
Jüri alevik, Rae vald,
75301 Harjumaa

MATERIAL:

wood, metal, plastic

A4

WEIGHT:

SCALE: 1:50

SHEET 27 OF 31

A

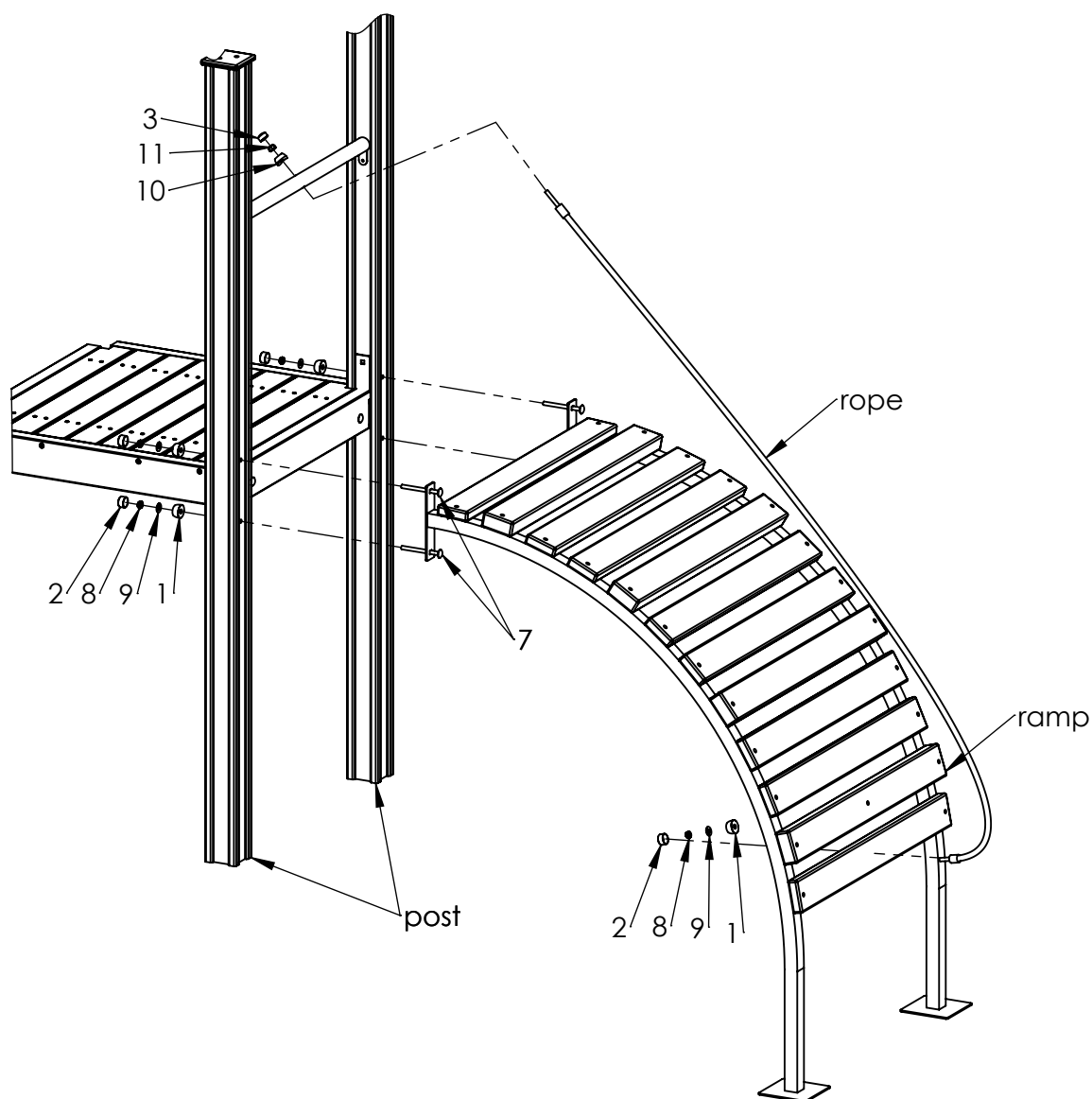
B

C

D

E

F



ITEM NO.	PART NUMBER
1	nut cover M12
2	nut cover cap M12
3	nut cover cap M10
7	bolt M10x120 DIN603
8	nut M10 DIN985
9	washer M10 DIN9054
10	nut cover M12 for beam
11	nut M12 DIN985

UNLESS OTHERWISE SPECIFIED:
DIMENSIONS ARE IN MILLIMETERS
WEIGHT ARE IN KILOGRAMM

Lekplatsgrossisten.se

PART NUMBER / DWG NO.:

LM300-2

	NAME	SIGNATURE	DATE	REVISION
DRAWN	R.Fedotov		11.12.2017	
APPV'D				

DESCRIPTION:

Multi Activity Centre HARBOUR Midi
connecting ramp to post

MATERIAL:

wood, metal, plastic

A4

WEIGHT:

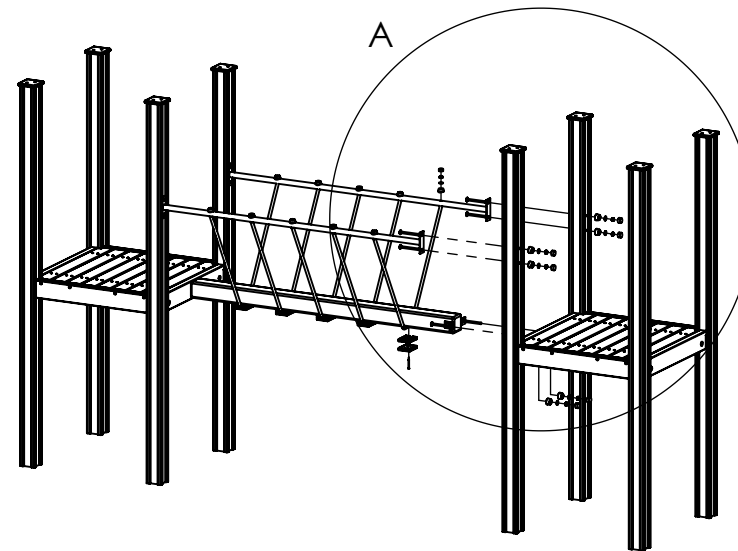
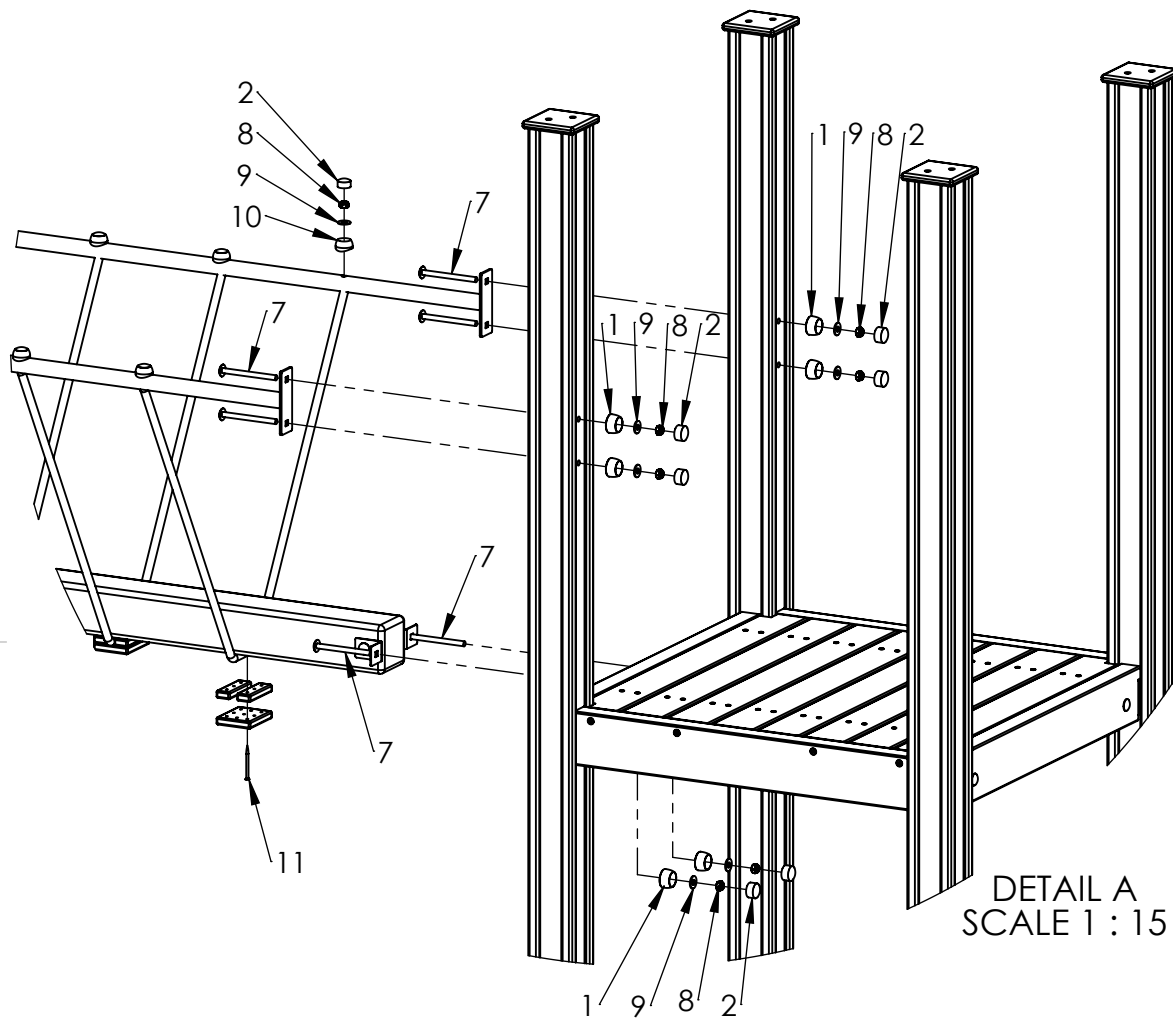
SCALE: 1:20

SHEET 28 OF 31



Tiptaptap OÜ

Tiptaptap OÜ
Veetorni 9,
Jüri alevik, Rae vald,
75301 Harjumaa



DETAIL A
SCALE 1 : 15

ITEM NO.	PART NUMBER
1	nut cover M12
2	nut cover cap M12
7	bolt M10x120 DIN603
8	nut M10 DIN985
9	washer M10 DIN9054
10	nut cover M12 for beam
11	wood screw 4,5 x 70

UNLESS OTHERWISE SPECIFIED:
DIMENSIONS ARE IN MILLIMETERS
WEIGHT ARE IN KILOGRAMM

Lekplatsgrossisten.se

PART NUMBER / DWG NO.:

LM300-2

	NAME	SIGNATURE	DATE	REVISION
DRAWN	R.Fedotov		11.12.2017	
APPV'D				

DESCRIPTION:

Multi Activity Centre HARBOUR Midi
connecting bridge to post and platform

MATERIAL:

wood, metal, plastic

A4

WEIGHT:

SCALE: 1:45

SHEET 29 OF 31



Tiptaptap OÜ

Tiptaptap OÜ
Veetorni 9,
Jüri alevik, Rae vald,
75301 Harjumaa

A

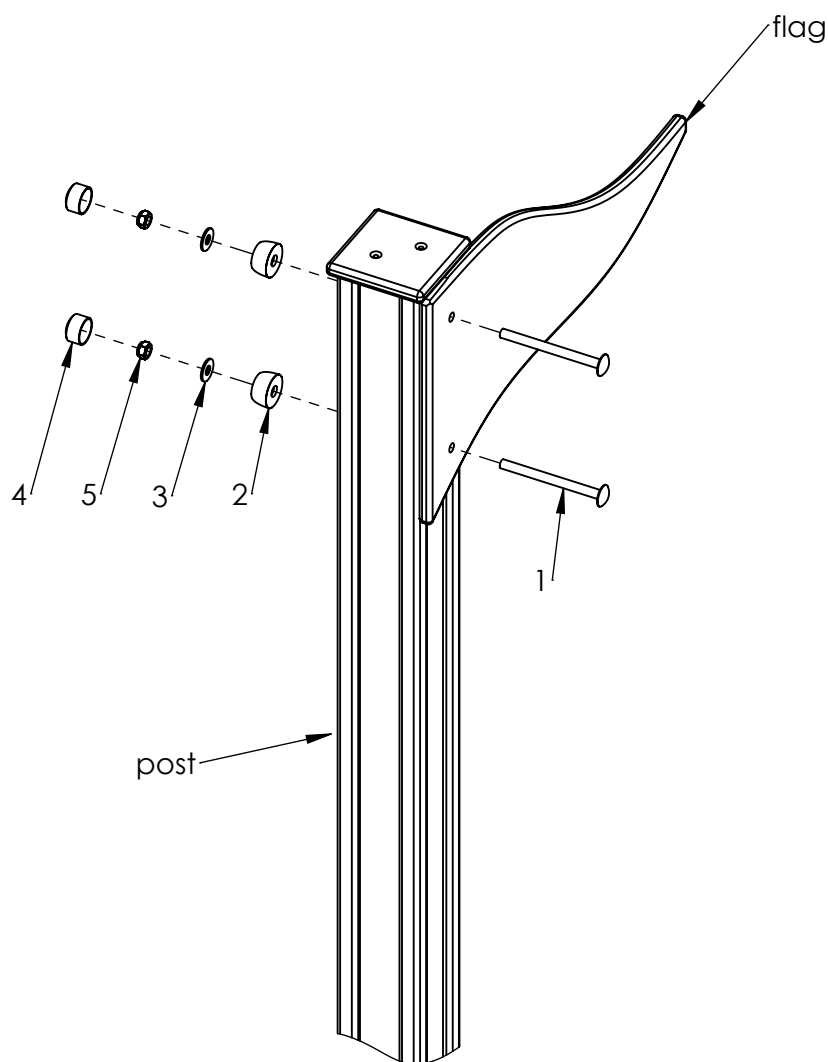
B

C

D

E

F



ITEM NO.	PART NUMBER
1	bolt M10x120 DIN603
2	nut cover M12
3	washer M10 DIN9054
4	nut cover cap M12
5	nut M10 DIN985

UNLESS OTHERWISE SPECIFIED:
DIMENSIONS ARE IN MILLIMETERS
WEIGHT ARE IN KILOGRAMM

Lekplatsgrossisten.se

PART NUMBER / DWG NO.:

LM300-2

	NAME	SIGNATURE	DATE	REVISION
DRAWN	R.Fedotov		11.12.2017	
APPV'D				

DESCRIPTION:

Multi Activity Centre HARBOUR Midi
connecting flag to post

MATERIAL:

wood, metal, plastic

A4

WEIGHT:

SCALE: 1:8

SHEET 30 OF 31



Tiptaptap OÜ

Tiptaptap OÜ
Veetorni 9,
Jüri alevik, Rae vald,
75301 Harjumaa

A

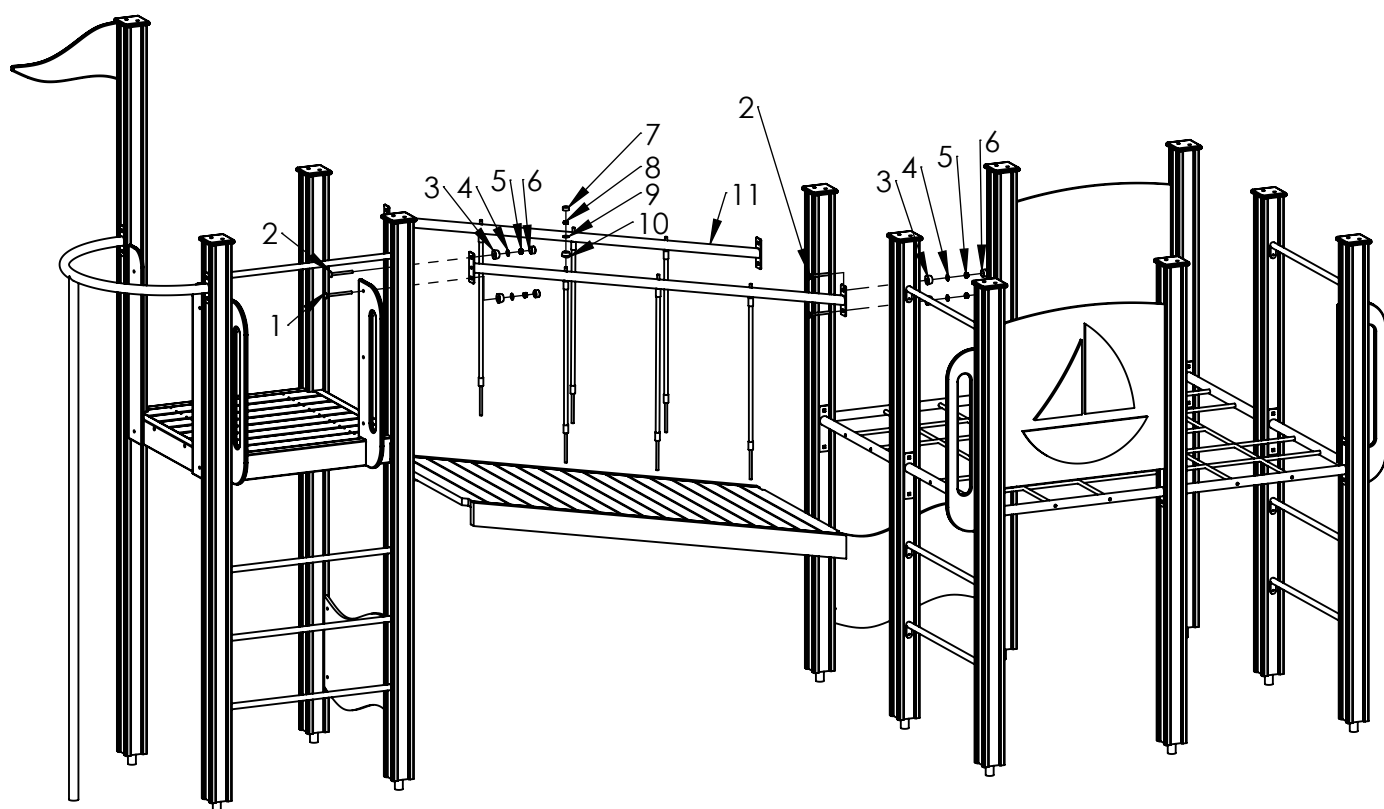
B

C

D

E

F



ITEM NO.	PART NUMBER
1	bolt M10x120 DIN603
2	bolt M10x100 DIN603
3	nut cover M12
4	washer DIN7349 M10
5	nut M12 DIN985
6	nut cover cap M12
7	nut cover cap M12
8	nut M10 DIN985
9	washer M10 DIN9054
10	nut cover M12 for beam
11	beam for bridge

UNLESS OTHERWISE SPECIFIED:
DIMENSIONS ARE IN MILLIMETERS
WEIGHT ARE IN KILOGRAMM

Lekplatsgrossisten.se

PART NUMBER / DWG NO.:

LM300-2

	NAME	SIGNATURE	DATE	REVISION
DRAWN	R.Fedotov		11.12.2017	
APPV'D				

DESCRIPTION:

Multi Activity Centre HARBOUR Midi



Tiptaptap OÜ

Tiptaptap OÜ
Veetorni 9,
Jüri alevik, Rae vald,
75301 Harjumaa

MATERIAL:

wood, metal, plastic

A4

WEIGHT:

SCALE: 1:32

SHEET 31 OF 31