

A

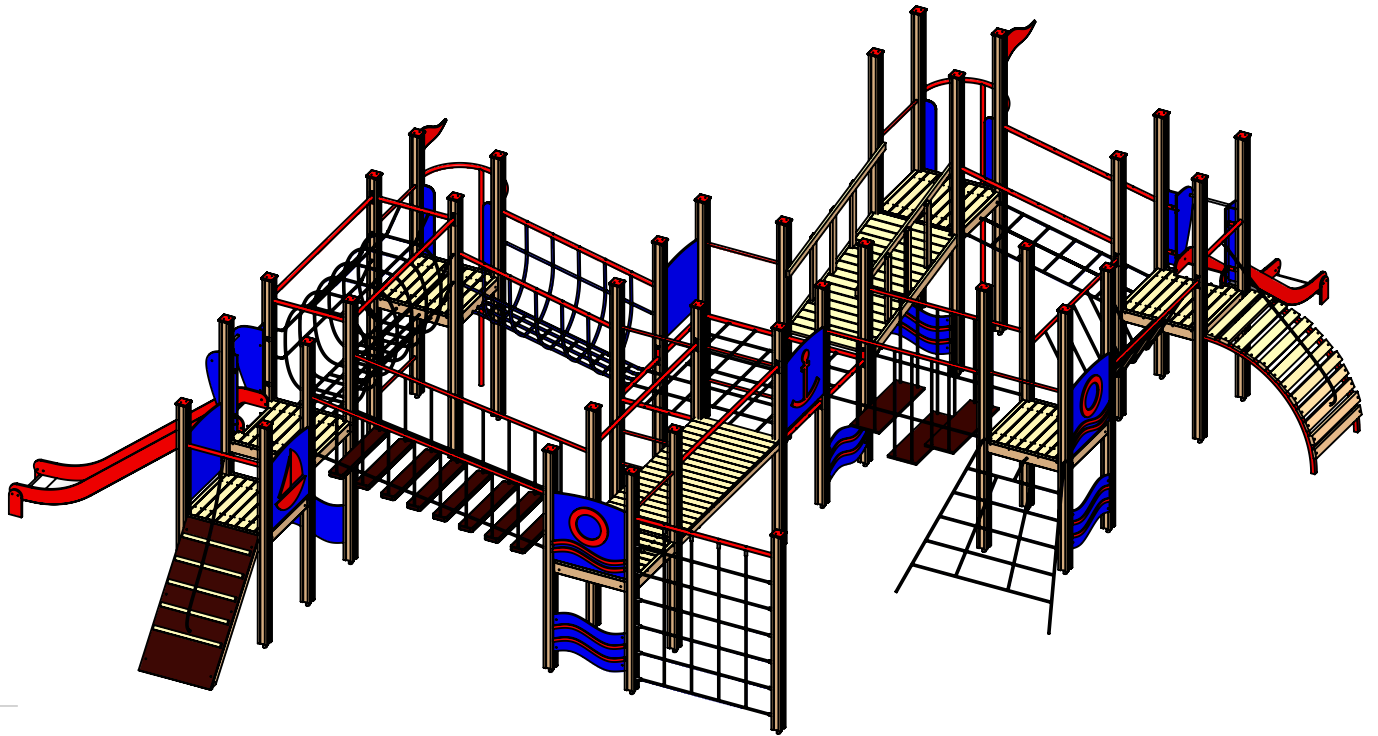
B

C

D

E

F



UNLESS OTHERWISE SPECIFIED:
 DIMENSIONS ARE IN MILLIMETERS
 WEIGHT ARE IN KILOGRAMM

PART NUMBER / DWG NO.:

LM300-2

	NAME	SIGNATURE	DATE	REVISION
DRAWN	M.Rebase		30.08.2012	
APPV'D				

DESCRIPTION:

Multi Activity Centre HARBOUR Midi



Tiptaptap OÜ

Tiptaptap OÜ
 Veetorni 9,
 Jüri alevik, Rae vald,
 75301 Harjumaa

MATERIAL:

wood, metal, plastic

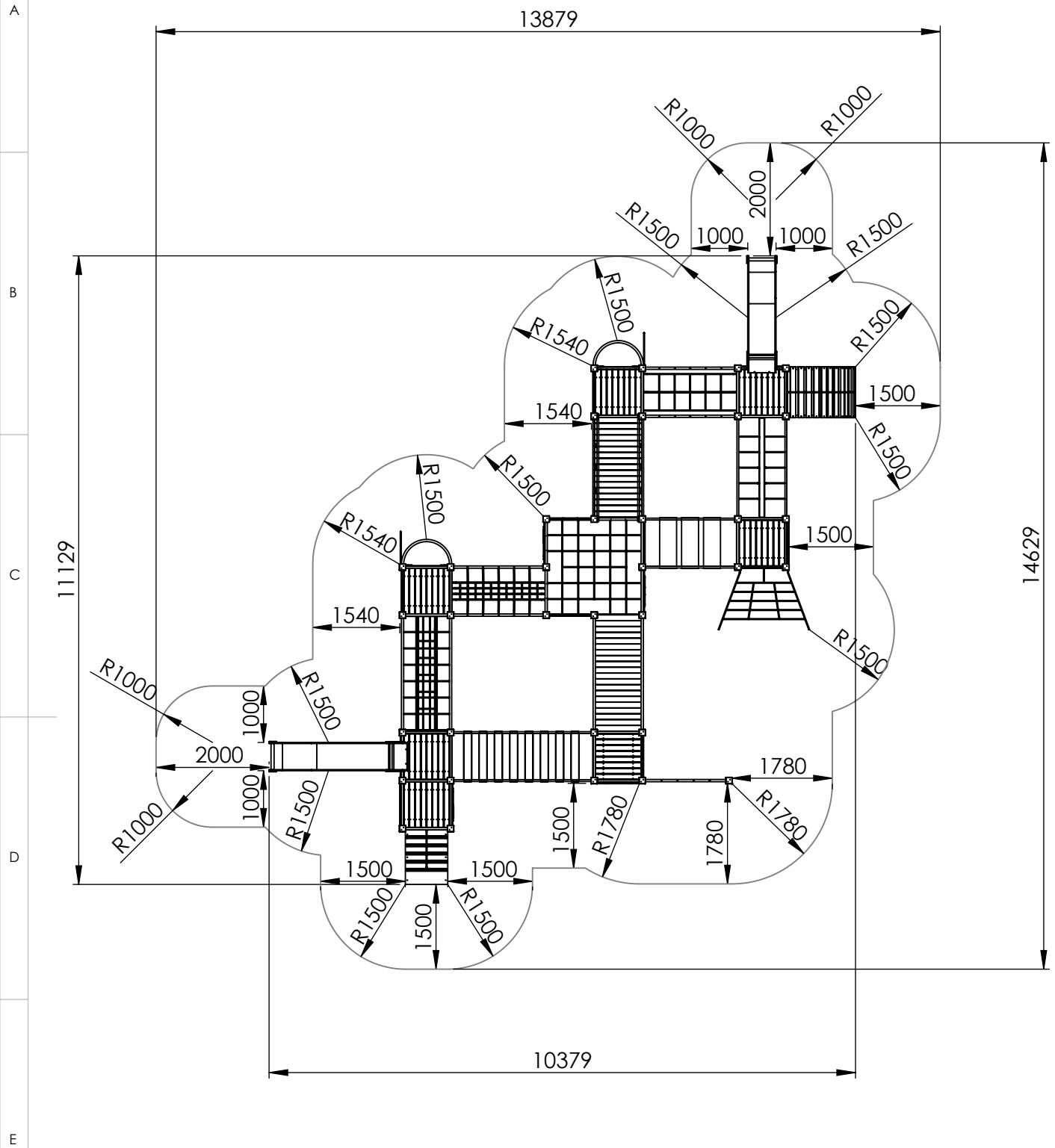
A4

WEIGHT:

SCALE: 1:70

SHEET 1 OF 14

safety area



UNLESS OTHERWISE SPECIFIED:
DIMENSIONS ARE IN MILLIMETERS
WEIGHT ARE IN KILOGRAMM

PART NUMBER / DWG NO.:

LM300-2

	NAME	SIGNATURE	DATE	REVISION
DRAWN	M.Rebase		30.08.2012	
APPV'D				

DESCRIPTION:

Multi Activity Centre HARBOUR Midi



Tiptaptap OÜ

Tiptaptap OÜ
Veetorni 9,
Jüri alevik, Rae vald,
75301 Harjumaa

MATERIAL:

wood, metal, plastic

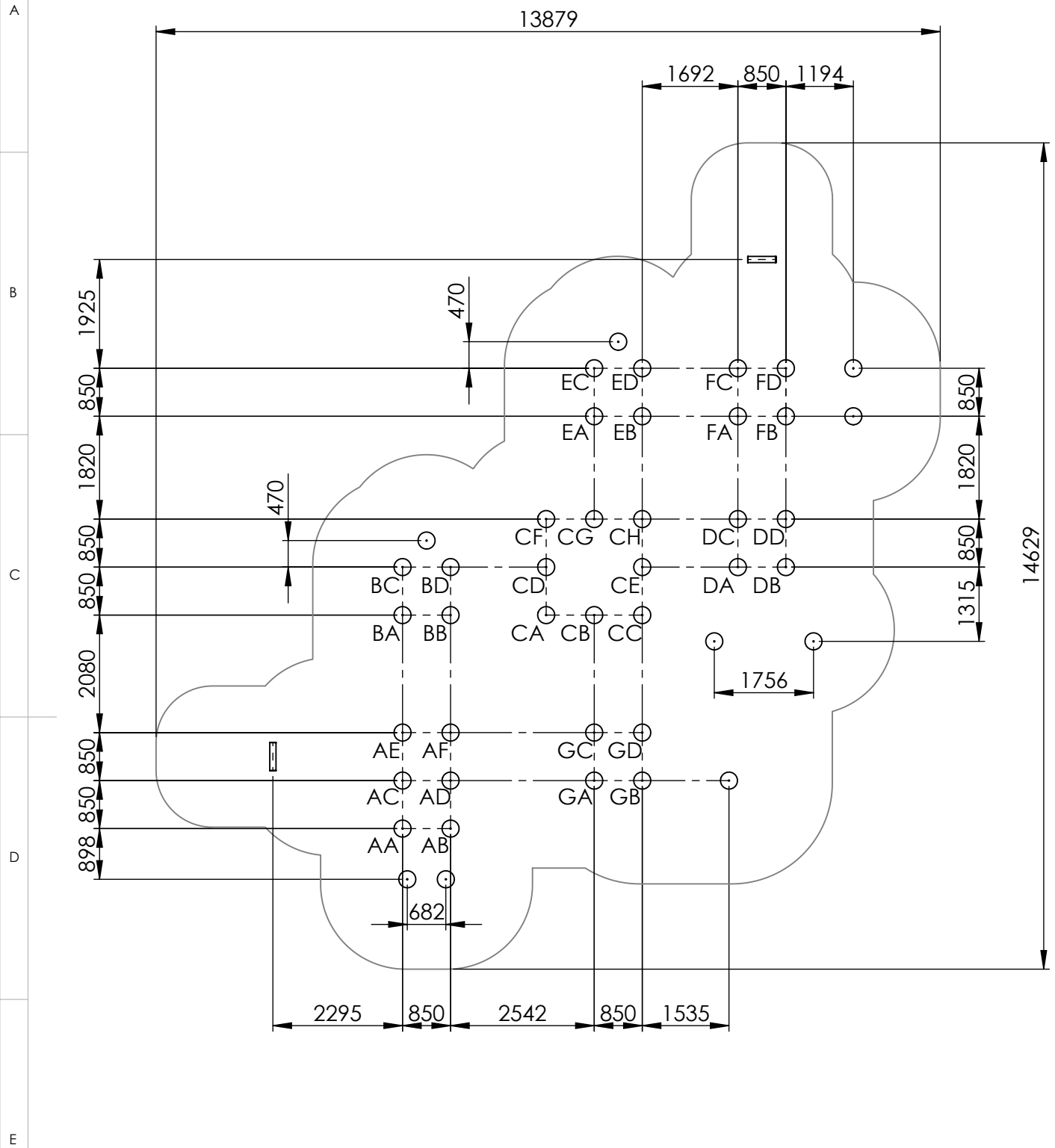
A4

WEIGHT:

SCALE: 1:100

SHEET 2 OF 14

foundation



UNLESS OTHERWISE SPECIFIED:
DIMENSIONS ARE IN MILLIMETERS
WEIGHT ARE IN KILOGRAMM

PART NUMBER / DWG NO.:

LM300-2

	NAME	SIGNATURE	DATE	REVISION
DRAWN	M.Rebase		30.08.2012	
APPV'D				

DESCRIPTION:

Multi Activity Centre HARBOUR Midi



Tiptiptap OÜ

Tiptiptap OÜ
Veetorni 9,
Jüri alevik, Rae vald,
75301 Harjumaa

MATERIAL:

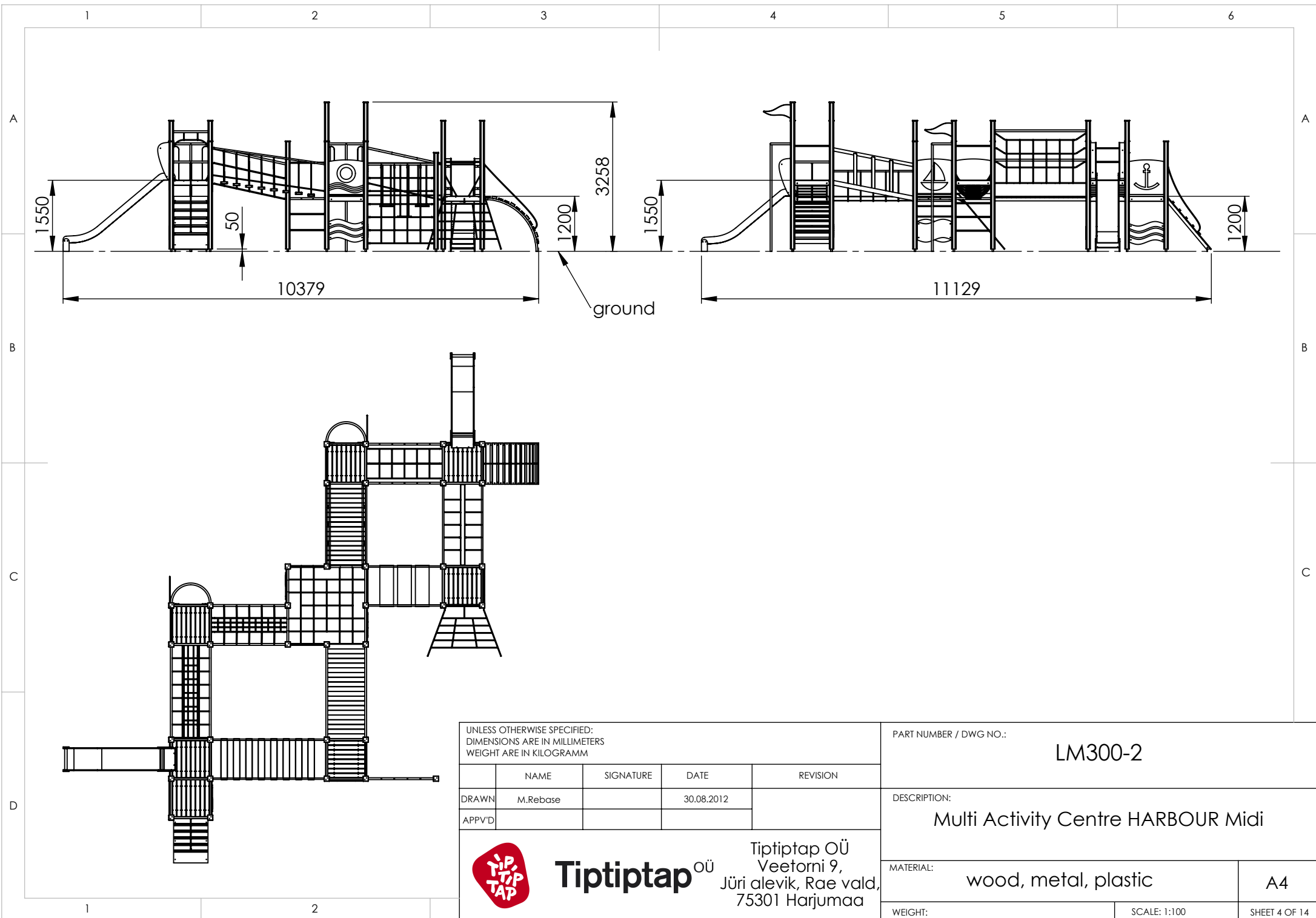
wood, metal, plastic

A4

WEIGHT:

SCALE: 1:100

SHEET 3 OF 14



UNLESS OTHERWISE SPECIFIED:
 DIMENSIONS ARE IN MILLIMETERS
 WEIGHT ARE IN KILOGRAMM

PART NUMBER / DWG NO.:
LM300-2

	NAME	SIGNATURE	DATE	REVISION
DRAWN	M.Rebase		30.08.2012	
APPV'D				

DESCRIPTION:
Multi Activity Centre HARBOUR Midi



Tiptaptap OÜ
 Veetorni 9,
 Jüri alevik, Rae vald,
 75301 Harjumaa

MATERIAL:	wood, metal, plastic	A4
WEIGHT:	SCALE: 1:100	SHEET 4 OF 14

1 2 3 4 5 6

A

A

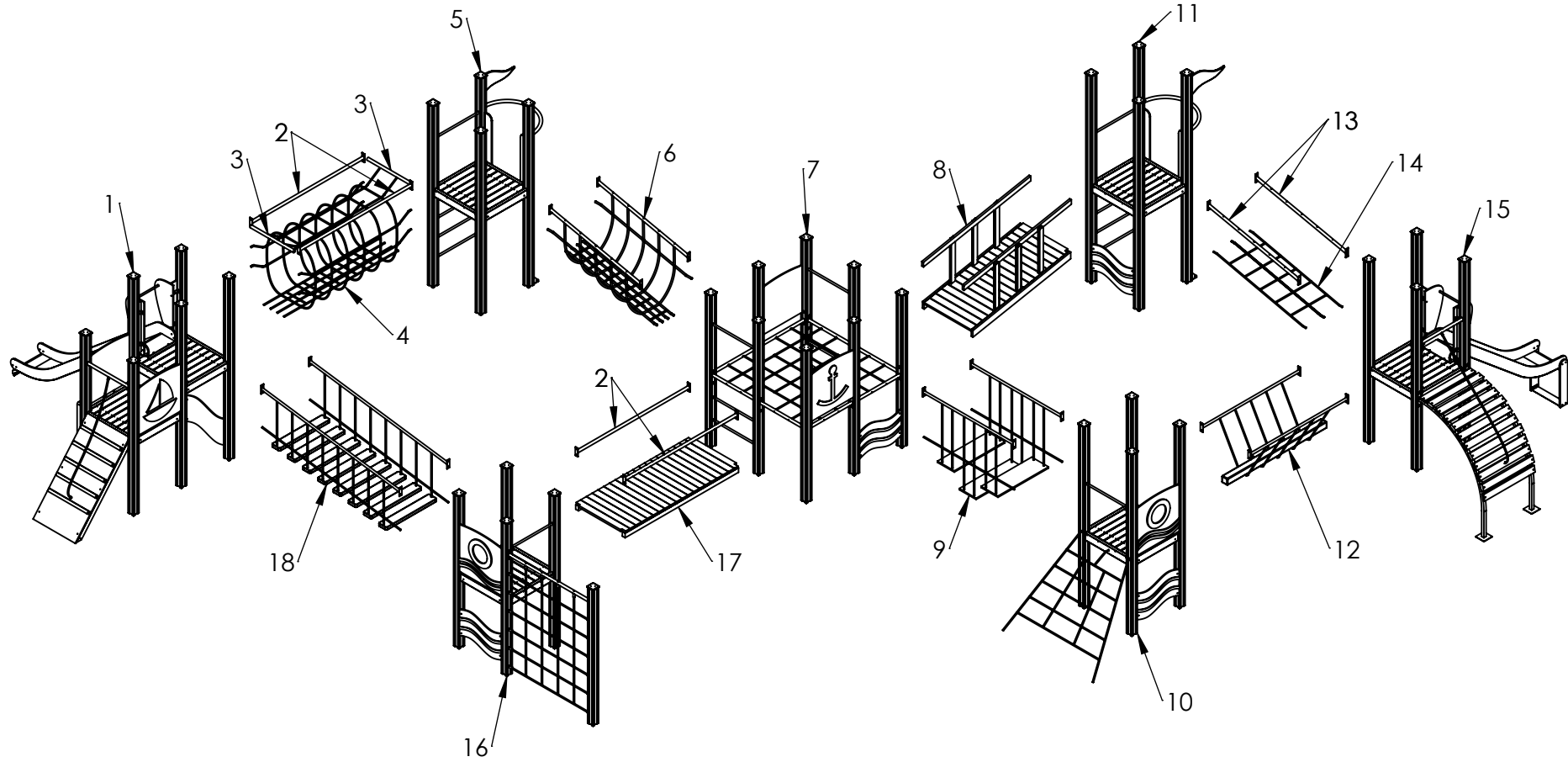
B

B

C

C

D



UNLESS OTHERWISE SPECIFIED:
DIMENSIONS ARE IN MILLIMETERS
WEIGHT ARE IN KILOGRAMM

PART NUMBER / DWG NO.:
LM300-2

	NAME	SIGNATURE	DATE	REVISION
DRAWN	M.Rebase		30.08.2012	
APPV'D				

DESCRIPTION:
Multi Activity Centre HARBOUR Midi




Tiptaptap OÜ
Tiptaptap OÜ
Veetorni 9,
Jüri alevik, Rae vald,
75301 Harjumaa

MATERIAL:	wood, metal, plastic	A4
WEIGHT:		SCALE: 1:80
		SHEET 5 OF 14

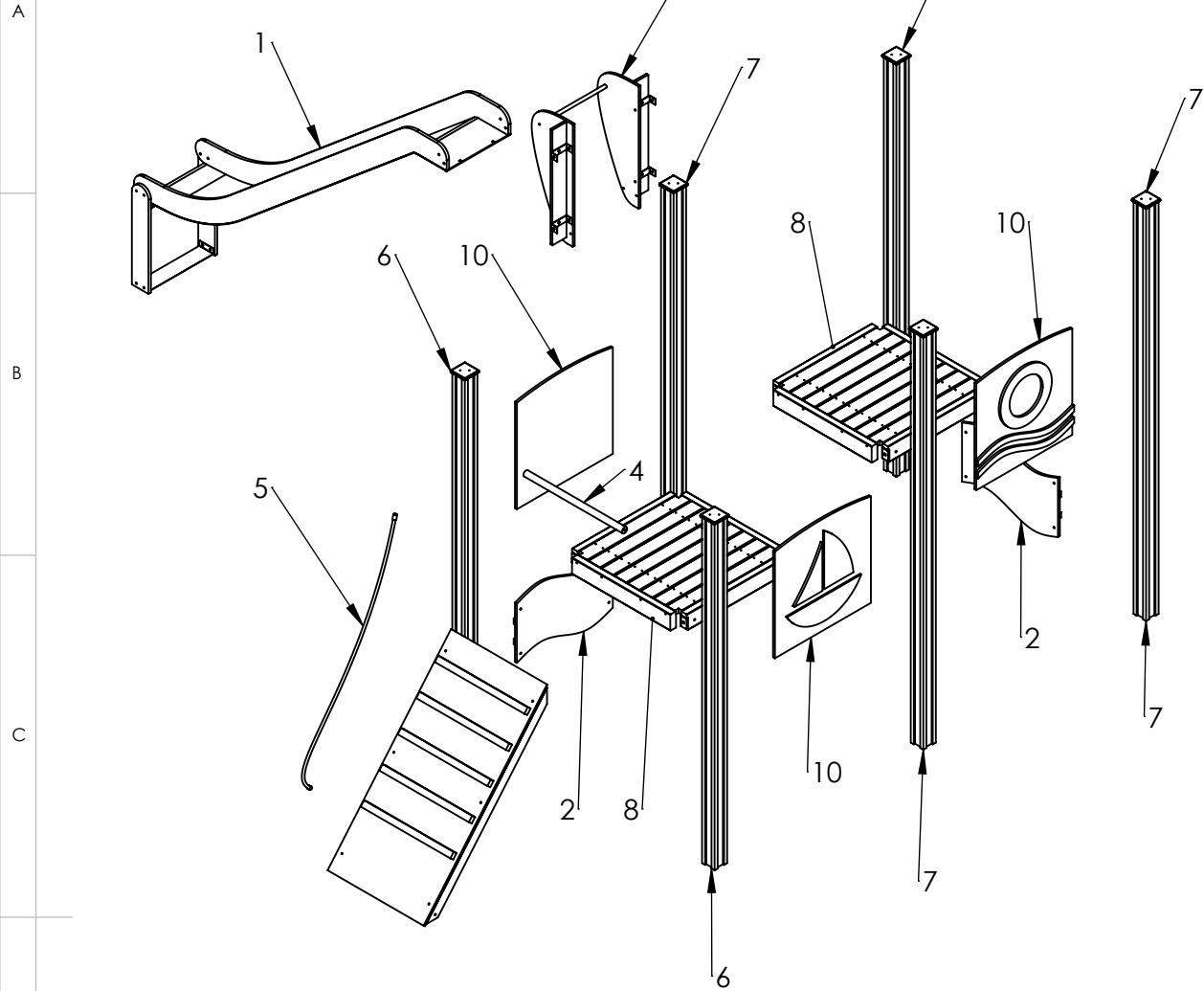
1 2

ITEM NO.	PART NUMBER	DESCRIPTION	QTY.	
A	1	platform A	laminated wood	1
	2	beam 40x2000	painted steel	4
	3	guardrail d.40x770	painted steel	2
	4	rope tunnel L_2000	PP covered steel wire	1
B	5	platform B	laminated wood	1
	6	inclined rope bridge	PP covered steel wire	1
	7	platform C	laminated wood	1
	8	inclined bridge l_1590	wood	1
	9	bridge with steps	PP covered steel wire, plywood,metal	1
	10	platform D	laminated wood	1
	11	platform E	laminated wood	1
C	12	bridge with beam	PP covered steel wire, plywood,metal	1
	13	inclined beam d.40x1650	painted steel	2
	14	inclined rope path L_1600	PP covered steel wire	1
	15	platform F	laminated wood	1
	16	platform G	laminated wood	1
	17	bridge platform	laminated wood	1
	18	suspended stairs		1



UNLESS OTHERWISE SPECIFIED: DIMENSIONS ARE IN MILLIMETERS WEIGHT ARE IN KILOGRAMM				PART NUMBER / DWG NO.: LM300-2		
	NAME	SIGNATURE	DATE	REVISION		
DRAWN	M.Rebase		30.08.2012			
APPV'D						
 Tiptiptap OÜ Veetorni 9, Jüri alevik, Rae vald, 75301 Harjumaa				DESCRIPTION: Multi Activity Centre HARBOUR Midi		
				MATERIAL: wood, metal, plastic		A4
				WEIGHT:		SCALE: 1:80

platform A



ITEM NO.	PART NUMBER	DESCRIPTION	QTY.
1	slide h_1550	stainless steel, PE plastic	1
2	side panel 750x300 wave	plywood	2
3	climbing panel h.1200	laminated wood, plywood	1
4	guardrail d.40x770	painted steel	1
5	rope d.16x1200	PP covered steel wire	1
6	post 98x98x2350 with top cover	laminated wood	2
7	post 98x98x2800 with top cover	laminated wood, PE plastic	4
8	platform	laminated wood, metal	2
9	slide guard block	plywood, painted steel	1
10	panel 750x750	plywood	3

UNLESS OTHERWISE SPECIFIED:
DIMENSIONS ARE IN MILLIMETERS
WEIGHT ARE IN KILOGRAMM

PART NUMBER / DWG NO.:

LM300-2

	NAME	SIGNATURE	DATE	REVISION
DRAWN	M.Rebase		30.08.2012	
APPV'D				

DESCRIPTION:

Multi Activity Centre HARBOUR Midi

MATERIAL:

wood, metal, plastic

A4

WEIGHT:

SCALE: 1:40

SHEET 7 OF 14



Tiptiptap OÜ

Tiptiptap OÜ
Veetorni 9,
Jüri alevik, Rae vald,
75301 Harjumaa

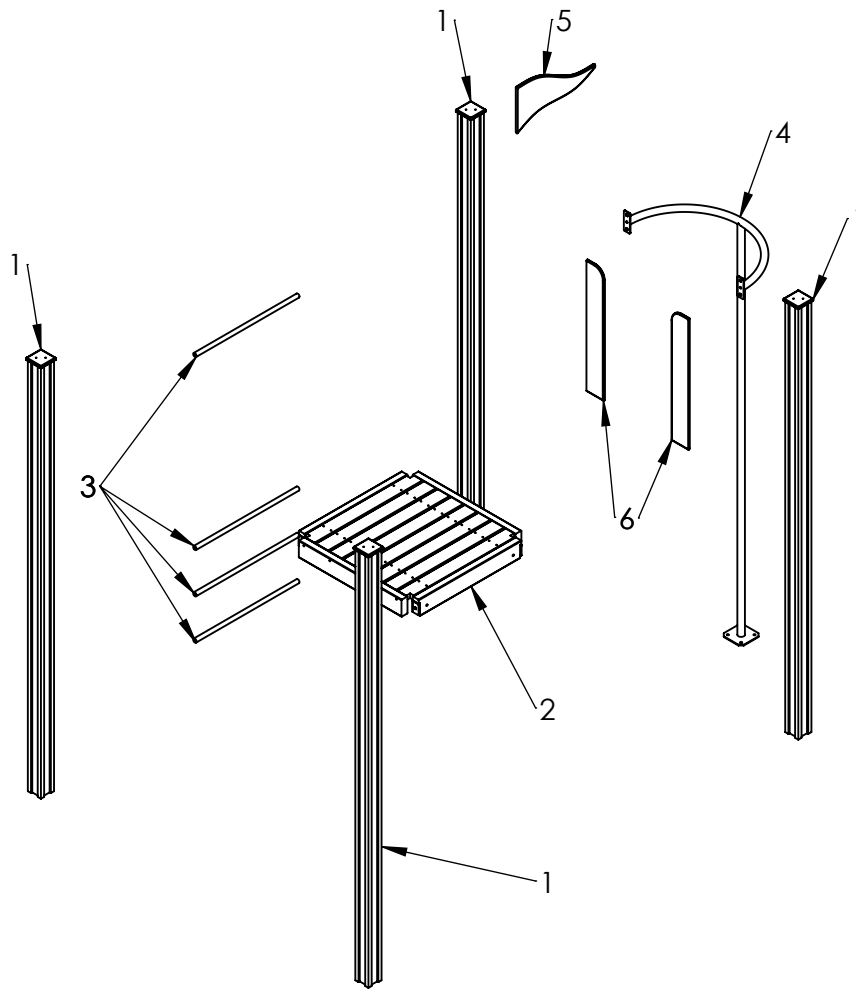
platform B

A

B

C


D



E

F

ITEM NO.	PART NUMBER	DESCRIPTION	QTY.
1	post 98x98x2800 with top cover	laminated wood, PE plastic	4
2	platform	laminated wood, metal	1
3	guardrail ϕ 25x770	painted steel	4
4	climbing pole	galvanized painted steel	1
5	flag	plywood	1
6	panel 750x127	plywood	2

UNLESS OTHERWISE SPECIFIED: DIMENSIONS ARE IN MILLIMETERS WEIGHT ARE IN KILOGRAMM				PART NUMBER / DWG NO.: LM300-2	
NAME	SIGNATURE	DATE	REVISION	DESCRIPTION: Multi Activity Centre HARBOUR Midi	
DRAWN M.Rebase		30.08.2012			
APPV'D					
 Tiptaptap OÜ Tiptaptap OÜ Veetorni 9, Jüri alevik, Rae vald, 75301 Harjumaa				MATERIAL:	wood, metal, plastic
				WEIGHT:	A4
				SCALE: 1:40	SHEET 8 OF 14

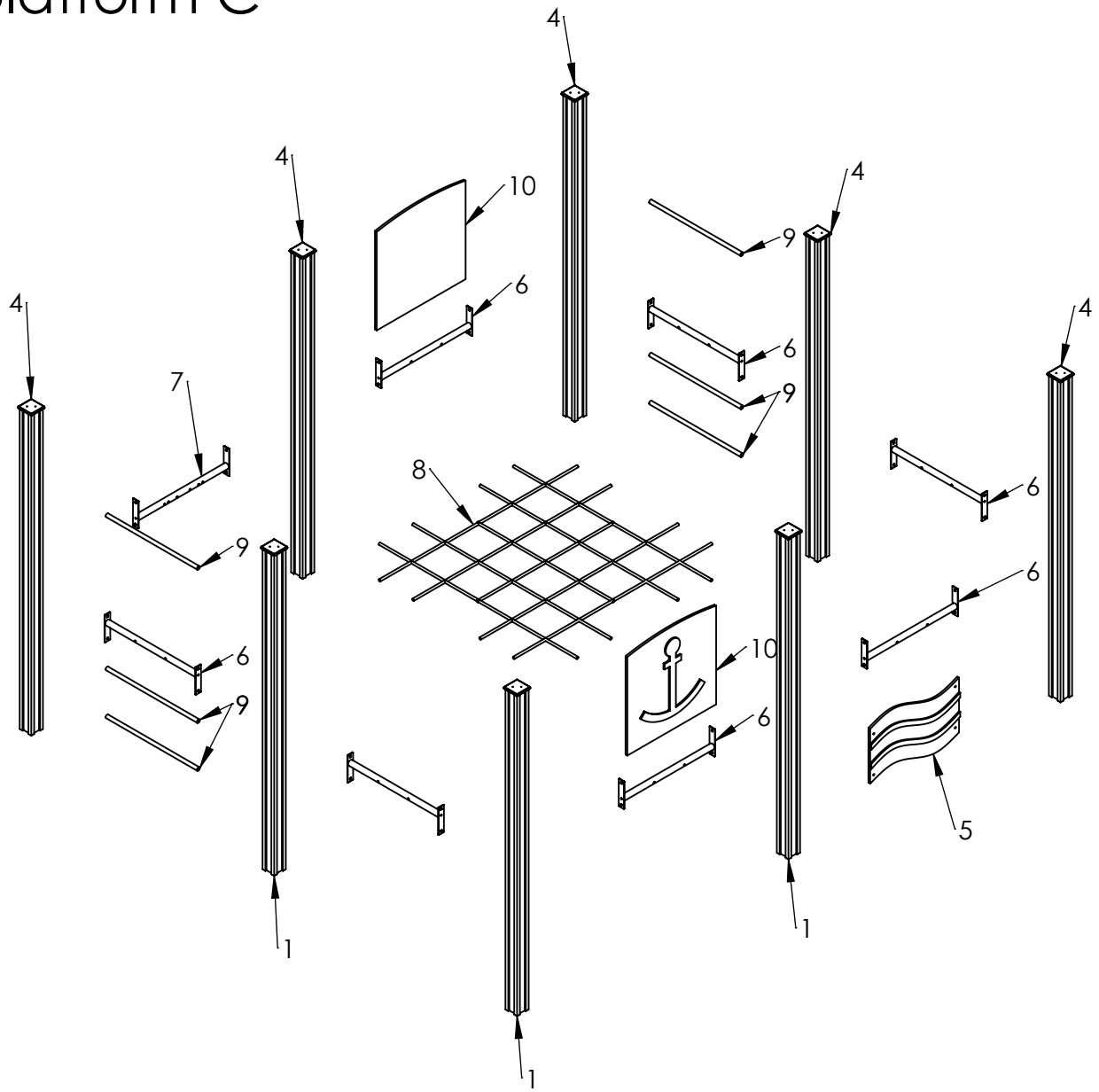
platform C

A


B

C

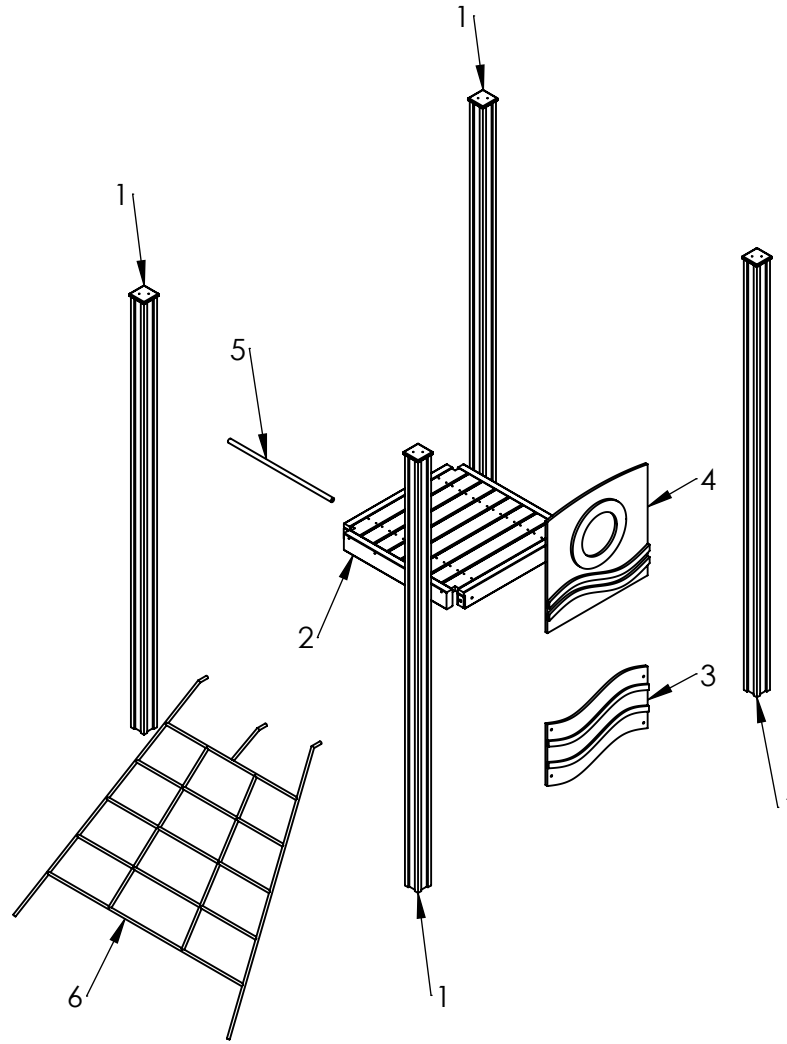
D




ITEM NO.	PART NUMBER	DESCRIPTION	QTY.
1	side panel 750x300 wave	plywood	1
2	net 1670x1670	PP covered steel wire	1
3	post 98x98x2350 with top cover	laminated wood	8
4	guardrail ϕ 25x770	painted steel	9
5	panel 750x750	plywood	2
6	beam 40x770_2 holes	painted steel	4
7	beam 40x770_6 holes	painted steel	4

UNLESS OTHERWISE SPECIFIED: DIMENSIONS ARE IN MILLIMETERS WEIGHT ARE IN KILOGRAMM				PART NUMBER / DWG NO.: LM300-2		
NAME	SIGNATURE	DATE	REVISION	DESCRIPTION: Multi Activity Centre HARBOUR Midi		
DRAWN M.Rebase		30.08.2012				
APPV'D						
 Tiptiptap OÜ Tiptiptap OÜ Veetorni 9, Jüri alevik, Rae vald, 75301 Harjumaa				MATERIAL:	wood, metal, plastic	A4
				WEIGHT:		SCALE: 1:40

platform D



ITEM NO.	PART NUMBER	DESCRIPTION	QTY.
1	post 98x98x2800 with top cover	laminated wood, PE plastic	4
2	platform	laminated wood, metal	1
3	side panel 750x300 wave	plywood	1
4	panel 750x750	plywood	1
5	guardrail ϕ 25x770	painted steel	1
6	rope ladder h_1200	PP covered steel wire	1

UNLESS OTHERWISE SPECIFIED: DIMENSIONS ARE IN MILLIMETERS WEIGHT ARE IN KILOGRAMM				PART NUMBER / DWG NO.: LM300-2	
NAME	SIGNATURE	DATE	REVISION	DESCRIPTION: Multi Activity Centre HARBOUR Midi	
DRAWN M.Rebase		30.08.2012		MATERIAL: wood, metal, plastic	
APPV'D				WEIGHT:	A4
 Tiptaptap OÜ Tiptaptap OÜ Veetorni 9, Jüri alevik, Rae vald, 75301 Harjumaa				SCALE: 1:40	SHEET 10 OF 14

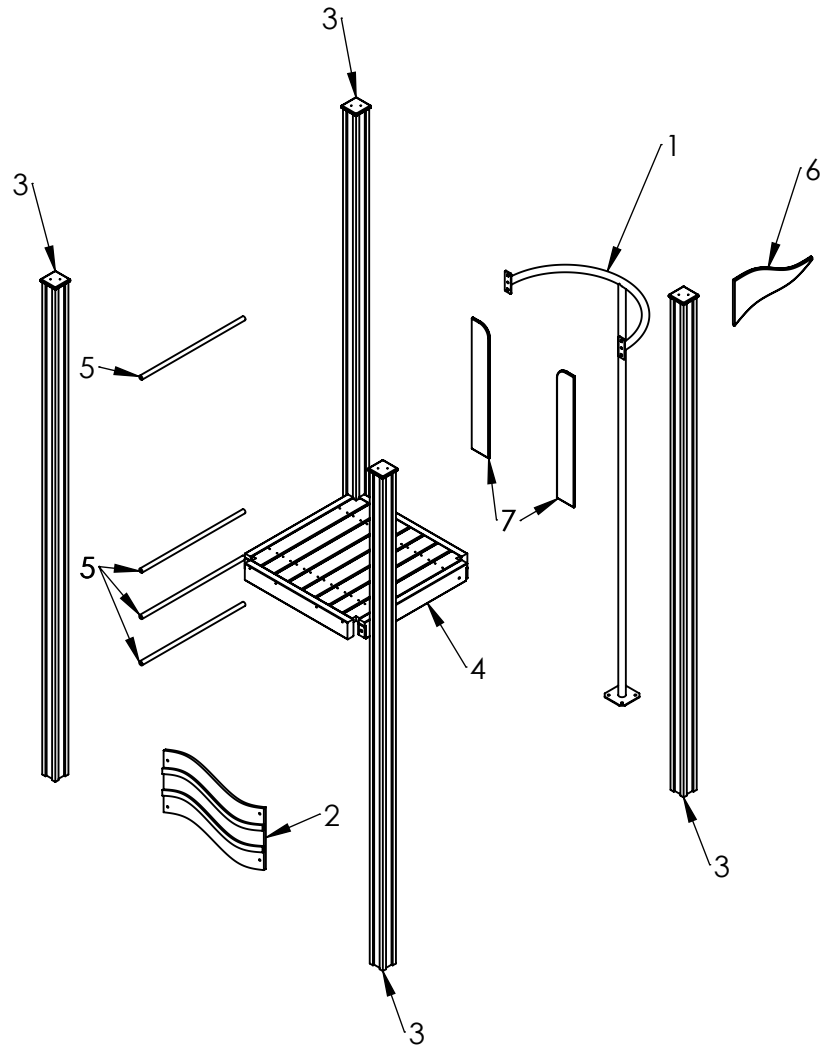
platform E

A

B

C

D



ITEM NO.	PART NUMBER	DESCRIPTION	QTY.
1	climbing pole	galvanized painted steel	1
2	side panel 750x300 wave	plywood	1
3	post 98x98x3200	laminated wood, PE plastic	4
4	platform	laminated wood, metal	1
5	guardrail ϕ 25x770	painted steel	4
6	flag	plywood	1
7	panel 750x127	plywood	2

UNLESS OTHERWISE SPECIFIED: DIMENSIONS ARE IN MILLIMETERS WEIGHT ARE IN KILOGRAMM				
	NAME	SIGNATURE	DATE	REVISION
DRAWN	M.Rebase		30.08.2012	
APPV'D				

PART NUMBER / DWG NO.:	LM300-2
DESCRIPTION:	Multi Activity Centre HARBOUR Midi

F



Tiptiptap OÜ

Tiptiptap OÜ
Veetorni 9,
Jüri alevik, Rae vald,
75301 Harjumaa

MATERIAL:	wood, metal, plastic	A4
WEIGHT:	SCALE: 1:40	SHEET 11 OF 14

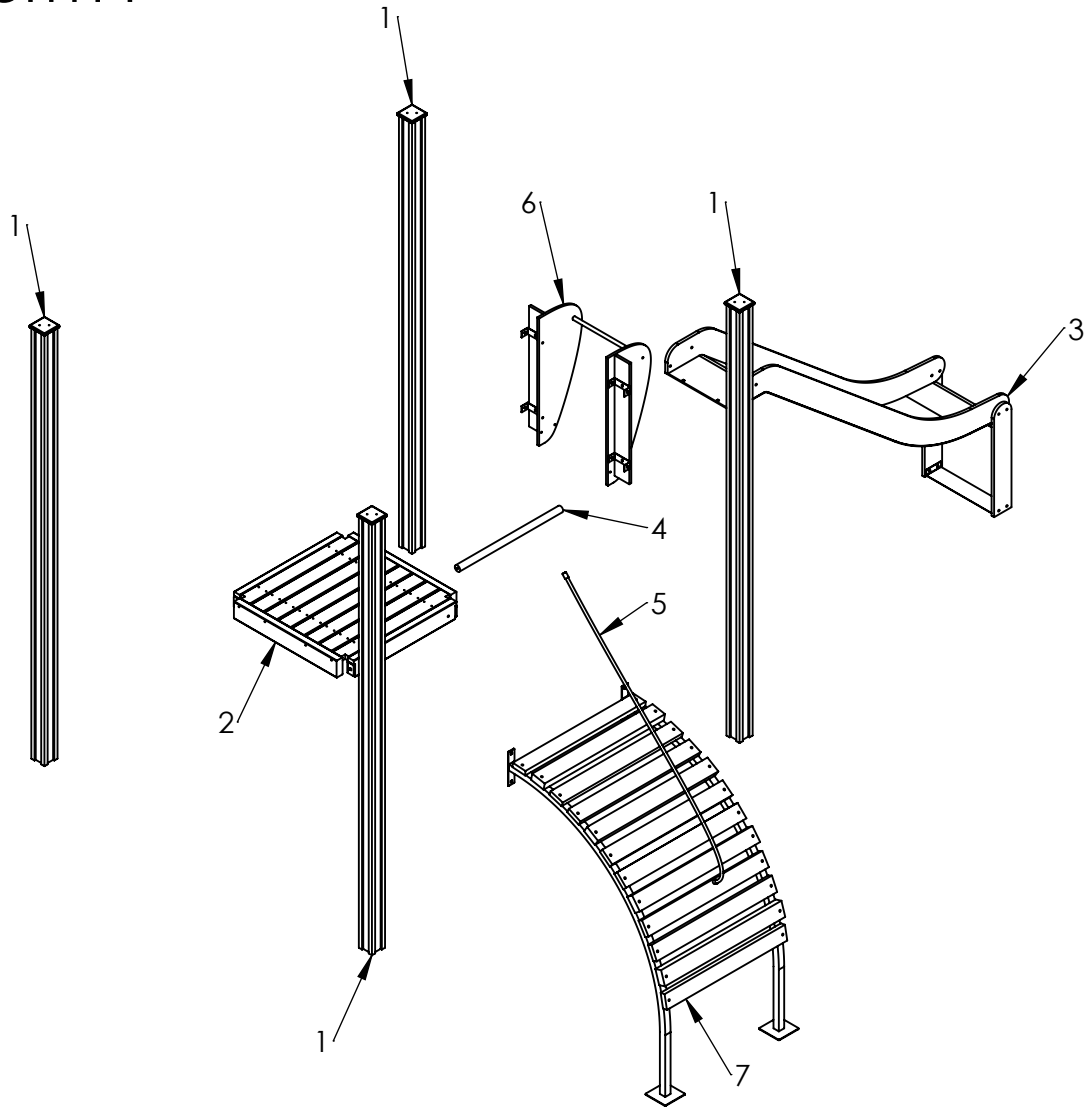
platform F

A

B

C

D



E

F

ITEM NO.	PART NUMBER	DESCRIPTION	QTY.
1	post 98x98x2800 with top cover	laminated wood, PE plastic	4
2	platform	laminated wood, metal	1
3	slide h_1200	stainless steel, PE plastic	1
4	guardrail d.40x770	painted steel	1
5	rope	PP covered steel wire	1
6	slide guard block	plywood, painted steel	1
7	curved ramp	wood, metal	1

UNLESS OTHERWISE SPECIFIED:
DIMENSIONS ARE IN MILLIMETERS
WEIGHT ARE IN KILOGRAMM

PART NUMBER / DWG NO.:

LM300-2

	NAME	SIGNATURE	DATE	REVISION
DRAWN	M.Rebase		30.08.2012	
APPV'D				

DESCRIPTION:

Multi Activity Centre HARBOUR Midi

MATERIAL:

wood, metal, plastic

A4

WEIGHT:

SCALE: 1:40

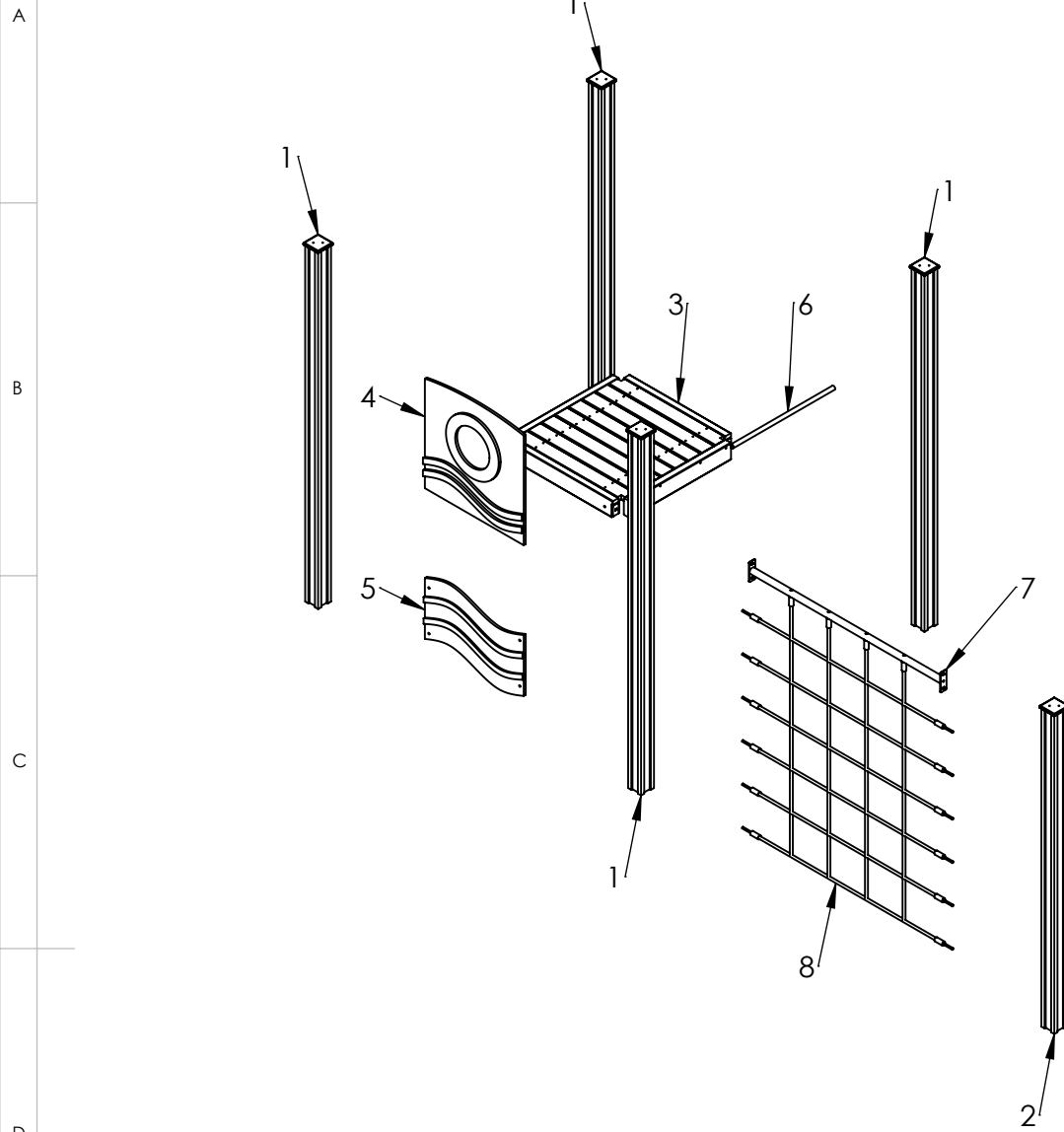
SHEET 12 OF 14



Tiptaptap OÜ

Tiptaptap OÜ
Veetorni 9,
Jüri alevik, Rae vald,
75301 Harjumaa

platform G



ITEM NO.	PART NUMBER	DESCRIPTION	QTY.
1	post 98x98x2350 with top cover	laminated wood	4
2	post 98x98x2100 with top cover	laminated wood, PE plastic	1
3	platform	laminated wood, metal	1
4	panel 750x750	plywood	1
5	side panel 750x300 wave	plywood	1
6	guardrail ϕ 25x770	painted steel	1
7	beam 40x1455	painted steel	1
8	climbing net	PP covered steel wire	1

UNLESS OTHERWISE SPECIFIED:
DIMENSIONS ARE IN MILLIMETERS
WEIGHT ARE IN KILOGRAMM

PART NUMBER / DWG NO.:

LM300-2

	NAME	SIGNATURE	DATE	REVISION
DRAWN	M.Rebase		30.08.2012	
APPV'D				

DESCRIPTION:

Multi Activity Centre HARBOUR Midi

MATERIAL:

wood, metal, plastic

A4

WEIGHT:

SCALE: 1:40

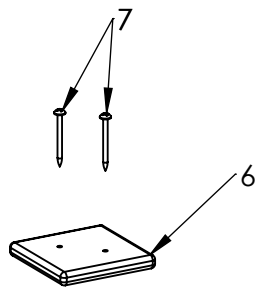
SHEET 13 OF 14



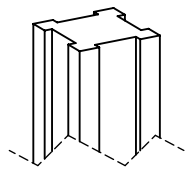
Tiptaptap OÜ

Tiptaptap OÜ
Veetorni 9,
Jüri alevik, Rae vald,
75301 Harjumaa

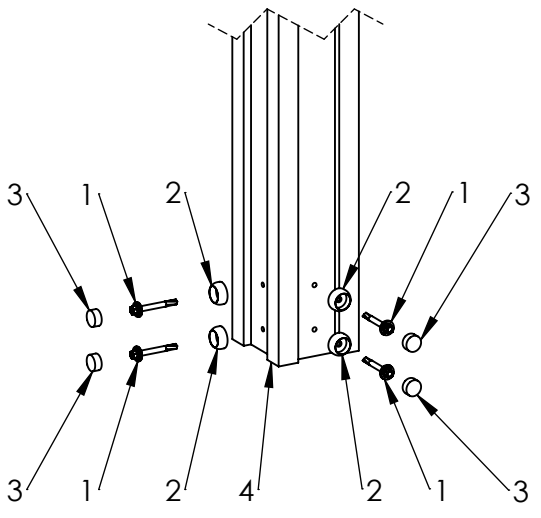
A



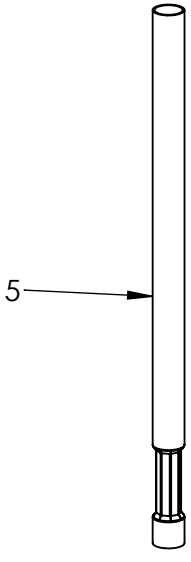
B



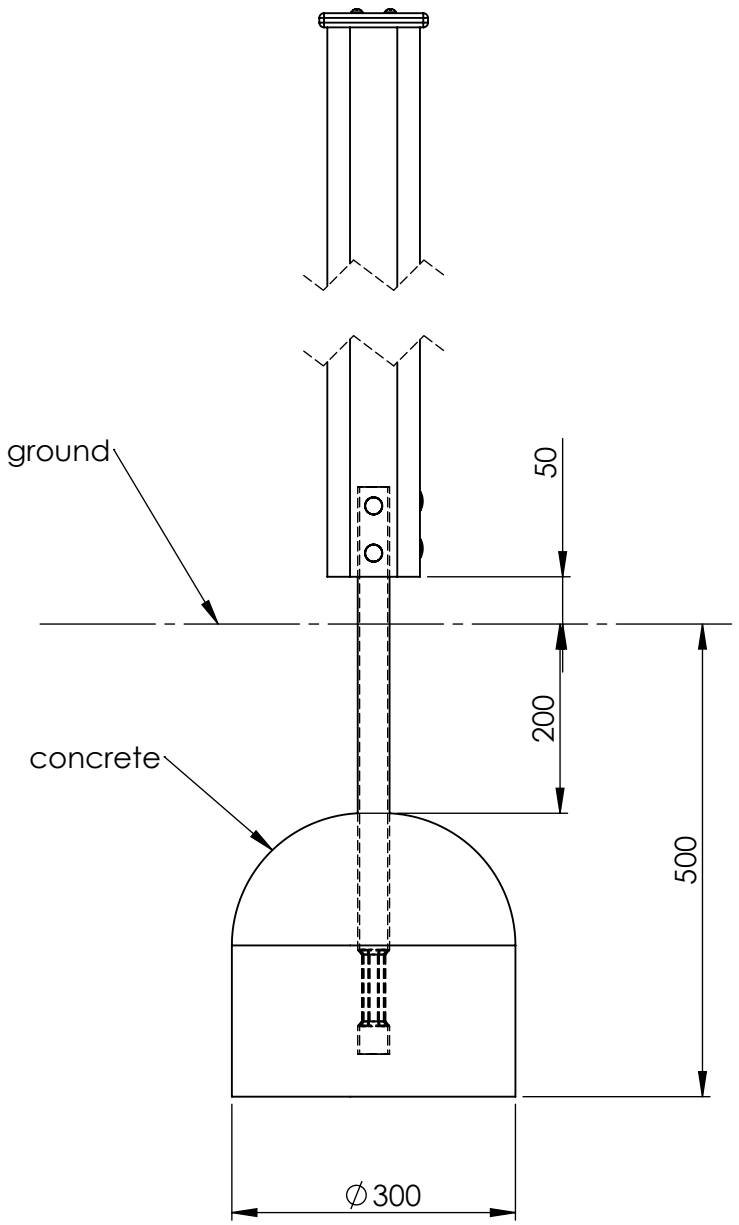
C



D



E



ITEM NO.	PART NUMBER
1	screw DIN7504K 5,5x50
2	nut cover M6
3	nut cover cap M6
4	post 98x98
5	metal ground fixing L_600
6	plastic cap 115x115
7	screw DIN7996 6x60

UNLESS OTHERWISE SPECIFIED:
 DIMENSIONS ARE IN MILLIMETERS
 WEIGHT ARE IN KILOGRAMM

PART NUMBER / DWG NO.:
LM300-2

	NAME	SIGNATURE	DATE	REVISION
DRAWN	M.Rebase		30.08.2012	
APPV'D				

DESCRIPTION:
Multi Activity Centre HARBOUR Midi connecting metal ground fixing to post

F



Tiptaptap OÜ

Tiptaptap OÜ
 Veetorni 9,
 Jüri alevik, Rae vald,
 75301 Harjumaa

MATERIAL:	wood, metal, plastic	A4
WEIGHT:	SCALE: 1:8	SHEET 14 OF 14