

A

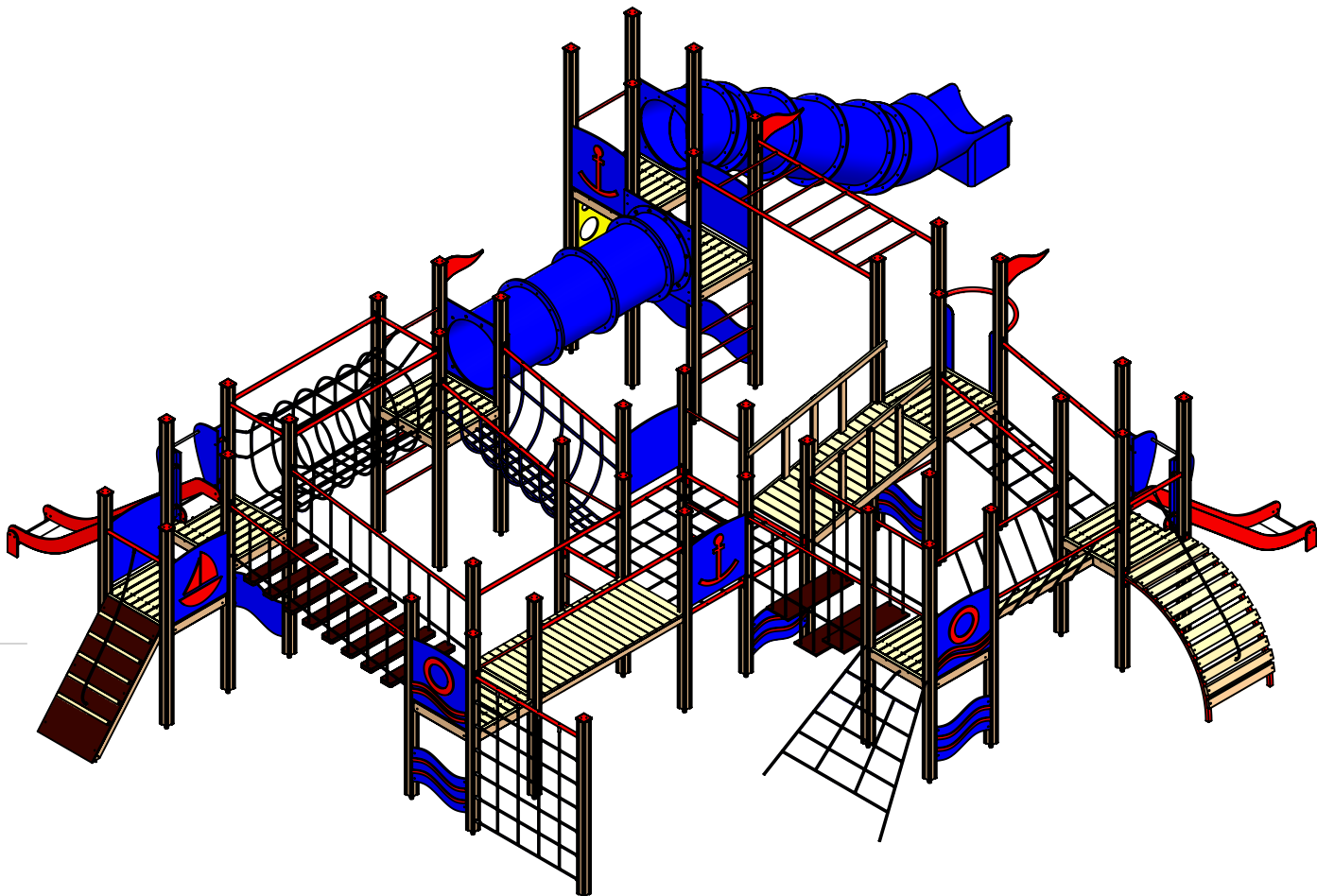
B

C

D

E

F



UNLESS OTHERWISE SPECIFIED:  
 DIMENSIONS ARE IN MILLIMETERS  
 WEIGHT ARE IN KILOGRAMM

PART NUMBER / DWG NO.:

LM300-1

	NAME	SIGNATURE	DATE	REVISION
DRAWN	M.Rebase		31.08.2012	
APPV'D				

DESCRIPTION:

Multi activity Centre HARBOUR Maxi



**Tiptaptap** OÜ

Tiptaptap OÜ  
 Veetorni 9,  
 Jüri alevik, Rae vald,  
 75301 Harjumaa

MATERIAL:

wood, metal, plastic

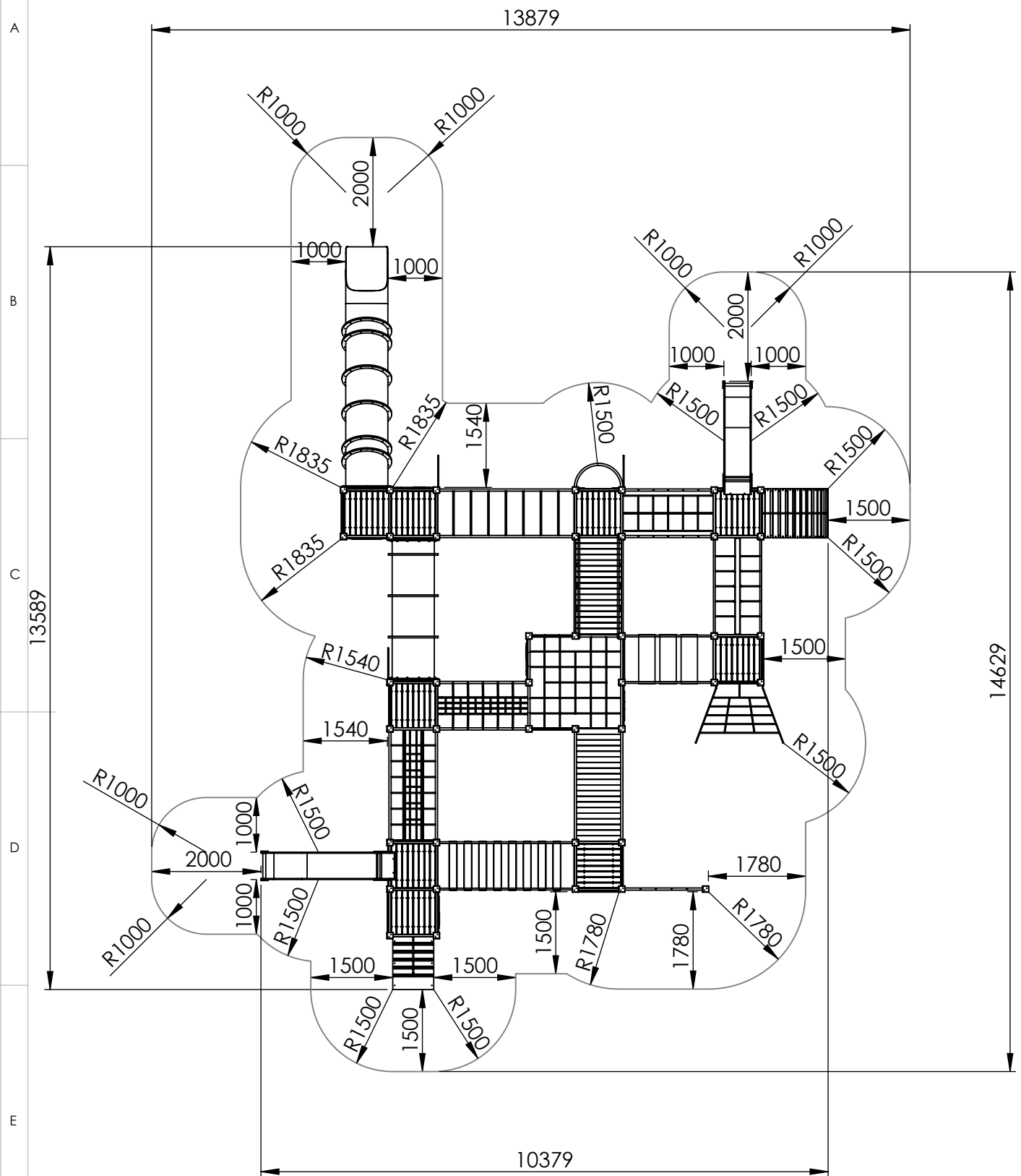
A4

WEIGHT:

SCALE: 1:70

SHEET 1 OF 15

# safety area



UNLESS OTHERWISE SPECIFIED:  
DIMENSIONS ARE IN MILLIMETERS  
WEIGHT ARE IN KILOGRAMM

PART NUMBER / DWG NO.:

LM300-1

	NAME	SIGNATURE	DATE	REVISION
DRAWN	M.Rebase		31.08.2012	
APPV'D				

DESCRIPTION:

Multi activity Centre HARBOUR Maxi



**Tiptap** OÜ

Tiptap OÜ  
Veetorni 9,  
Jüri alevik, Rae vald,  
75301 Harjumaa

MATERIAL:

wood, metal, plastic

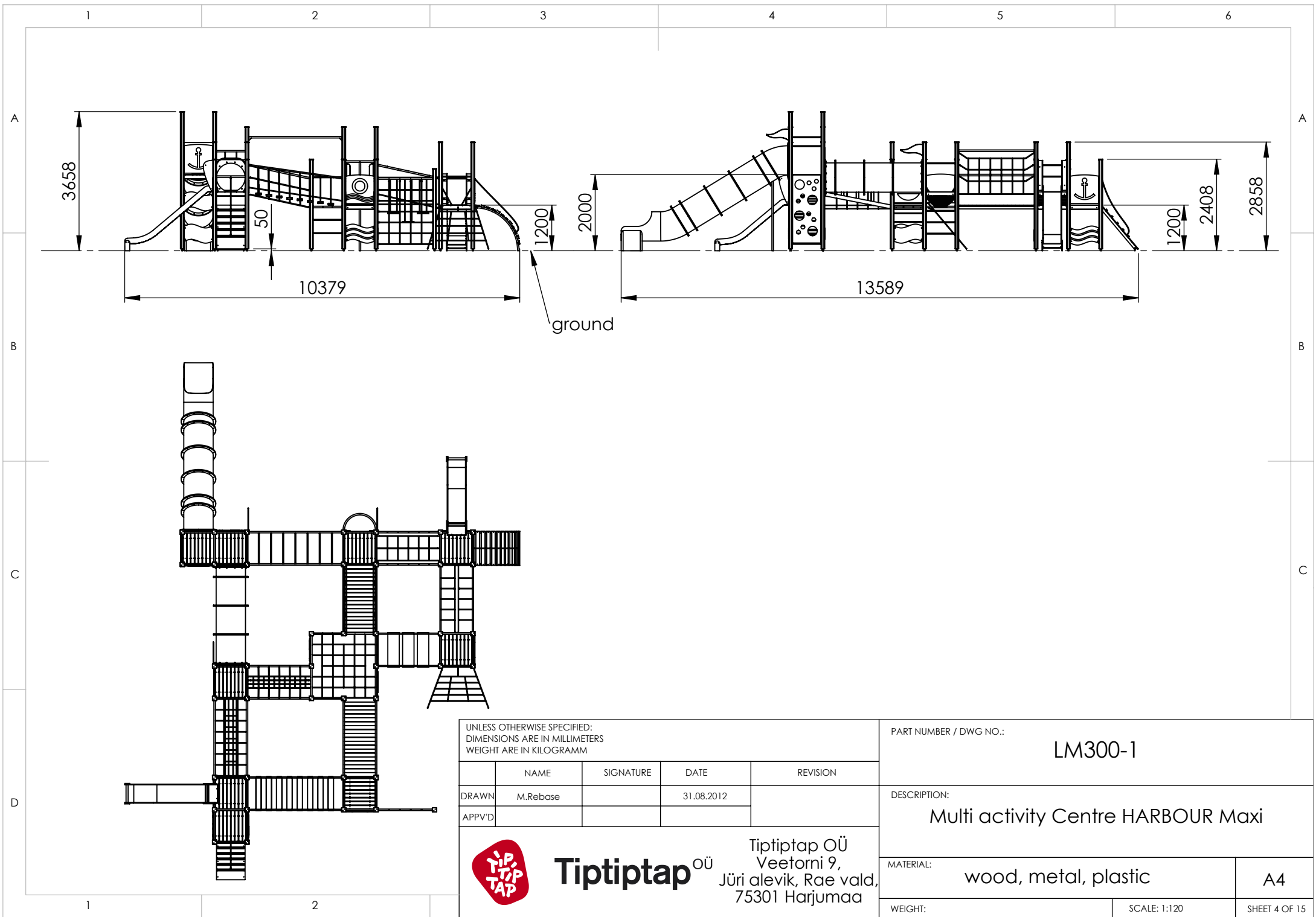
A4

WEIGHT:

SCALE: 1:100

SHEET 2 OF 15





UNLESS OTHERWISE SPECIFIED:  
 DIMENSIONS ARE IN MILLIMETERS  
 WEIGHT ARE IN KILOGRAMM

	NAME	SIGNATURE	DATE	REVISION
DRAWN	M.Rebase		31.08.2012	
APPV'D				

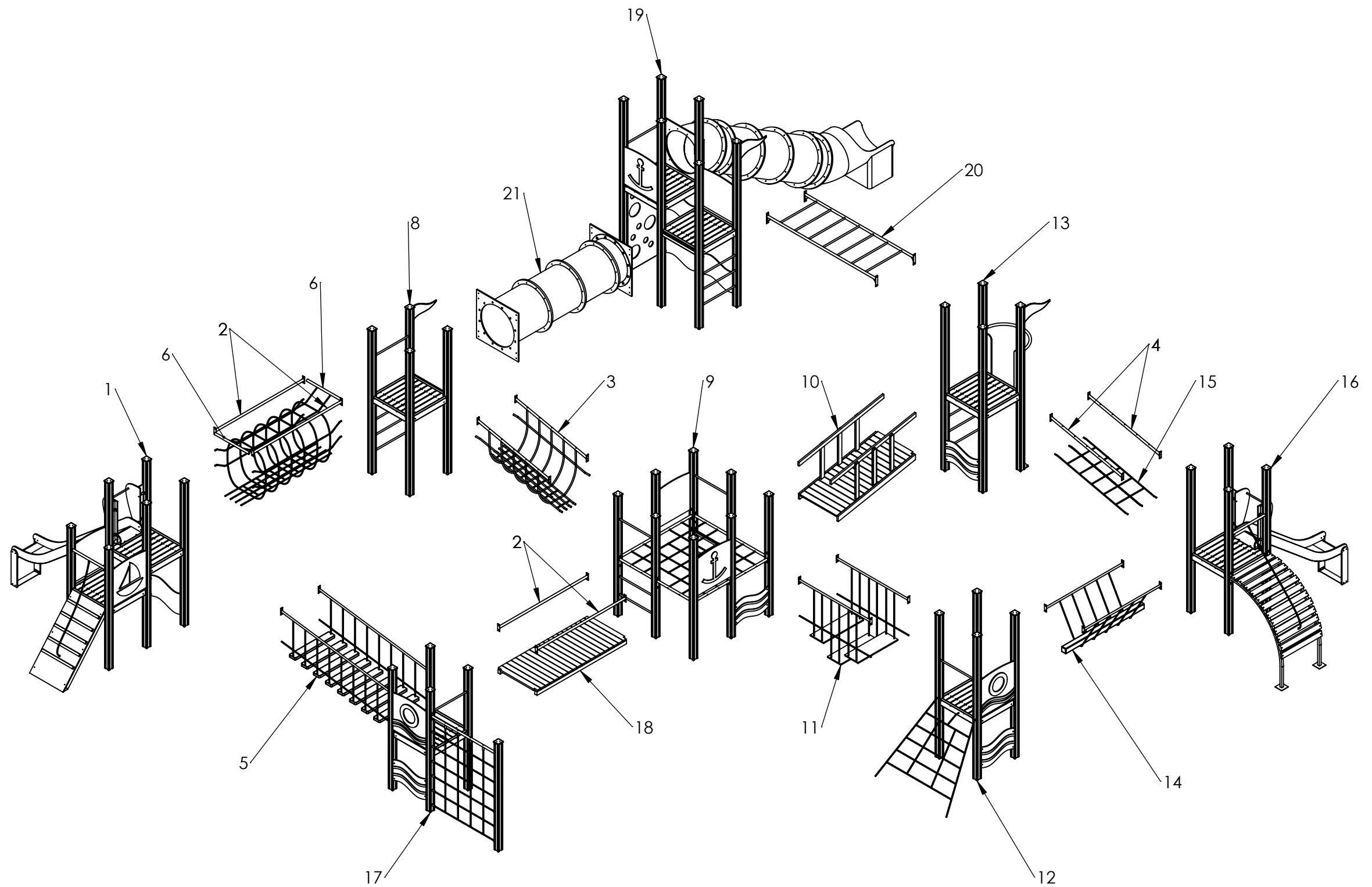
PART NUMBER / DWG NO.:  
**LM300-1**


DESCRIPTION:  
**Multi activity Centre HARBOUR Maxi**



**Tiptaptap** OÜ  
 Veetorni 9,  
 Jüri alevik, Rae vald,  
 75301 Harjumaa

MATERIAL:	wood, metal, plastic	A4
WEIGHT:	SCALE: 1:120	SHEET 4 OF 15



UNLESS OTHERWISE SPECIFIED: DIMENSIONS ARE IN MILLIMETERS WEIGHT ARE IN KILOGRAMM				PART NUMBER / DWG NO.: <b>LM300-1</b>	
	NAME	SIGNATURE	DATE	REVISION	
DRAWN	M.Rebase		31.08.2012		
APPV'D					
 <b>Tiptap</b> OÜ Veetorni 9, Jüri alevik, Rae vald, 75301 Harjumaa				DESCRIPTION: <b>Multi activity Centre HARBOUR Maxi</b>	
				MATERIAL:	wood, metal, plastic
WEIGHT:				SCALE: 1:70	SHEET 5 OF 15

ITEM NO.	PART NUMBER	DESCRIPTION	QTY.	
A	1	platform A	laminated wood	1
	2	beam 40x2000	painted steel	4
	3	inclined rope bridge	PP covered steel wire	1
	4	inclined beam d.40x1650	painted steel	2
B	5	suspended stairs	PP covered steel wire, wood,metal	1
	6	guardrail d.40x770	painted steel	2
	7	rope tunnel L_2000	PP covered steel wire	1
	8	platform B	laminated wood	1
	9	platform C	laminated wood	1
	10	inclined bridge L_1590	wood	1
	11	bridge with steps	PP covered steel wire, plywood,metal	1
C	12	platform D	laminated wood	1
	13	platform E	laminated wood	1
	14	bridge with beam	PP covered steel wire, plywood,metal	1
	15	inclined rope path L_1600	PP covered steel wire	1
	16	platform F	laminated wood	1
	17	platform G	laminated wood	1
	18	bridge platform	laminated wood	1
D	19	platform H	laminated wood	1
	20	horisontal ladder	galvanized painted steel	1
	21	tunnel	PE plastic	1
E				

UNLESS OTHERWISE SPECIFIED: DIMENSIONS ARE IN MILLIMETERS WEIGHT ARE IN KILOGRAMM				
	NAME	SIGNATURE	DATE	REVISION
DRAWN	M.Rebase		31.08.2012	
APPV'D				

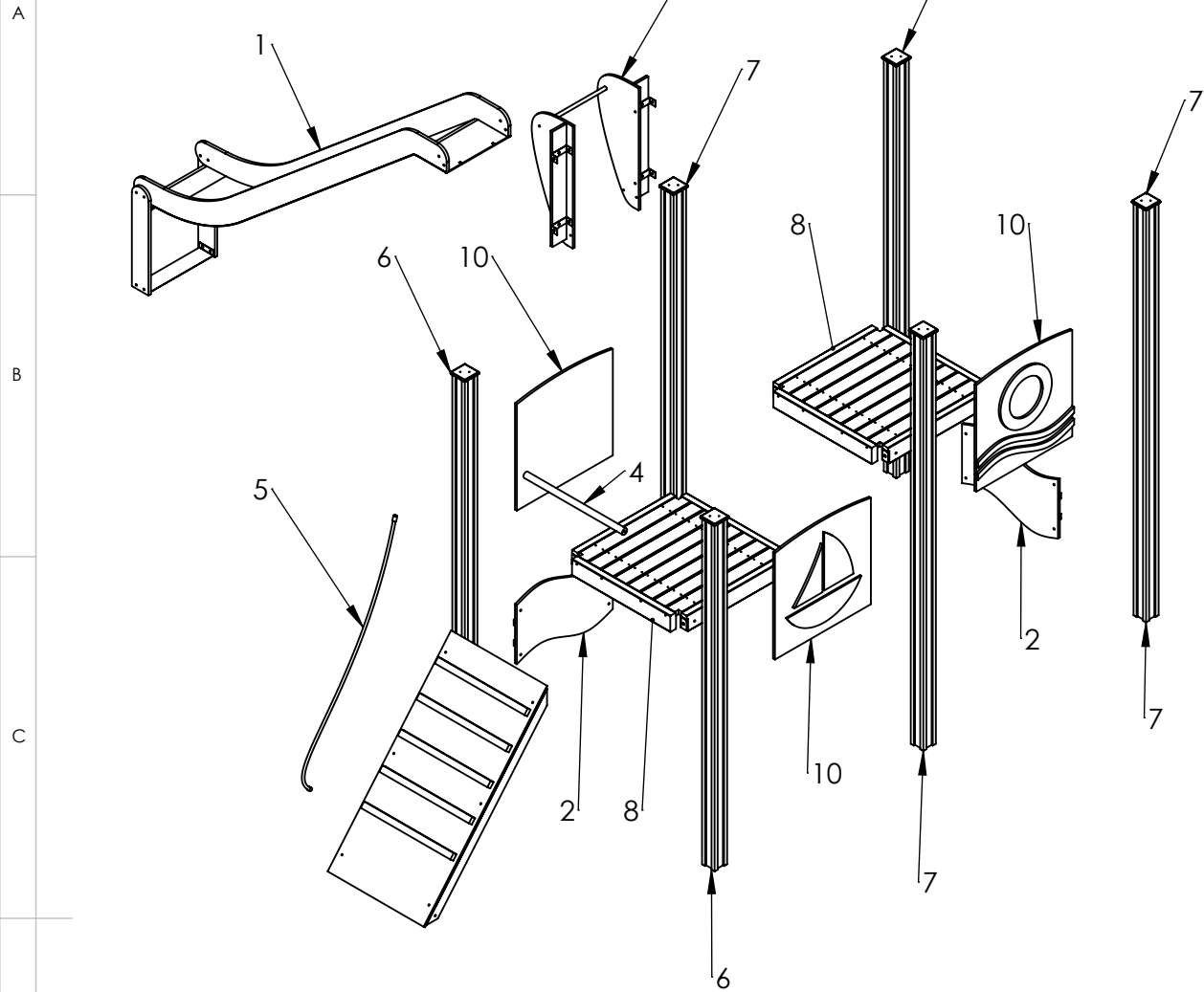
PART NUMBER / DWG NO.:		LM300-1
DESCRIPTION:		
Multi activity Centre HARBOUR Maxi		



**Tiptiptap** OÜ  
 Veetorni 9,  
 Jüri alevik, Rae vald,  
 75301 Harjumaa

MATERIAL:	wood, metal, plastic	A4
WEIGHT:		SCALE: 1:70
		SHEET 6 OF 15

# platform A



ITEM NO.	PART NUMBER	DESCRIPTION	QTY.
1	slide h_1550	stainless steel, PE plastic	1
2	side panel 750x300 wave	plywood	2
3	climbing panel h.1200	laminated wood, plywood	1
4	guardrail d.40x770	painted steel	1
5	rope d.16x1200	PP covered steel wire	1
6	post 98x98x2350 with top cover	laminated wood	2
7	post 98x98x2800 with top cover	laminated wood, PE plastic	4
8	platform	laminated wood, metal	2
9	slide guard block	plywood, painted steel	1
10	panel 750x750	plywood	3

UNLESS OTHERWISE SPECIFIED:  
DIMENSIONS ARE IN MILLIMETERS  
WEIGHT ARE IN KILOGRAMM

PART NUMBER / DWG NO.:

LM300-1

	NAME	SIGNATURE	DATE	REVISION
DRAWN	M.Rebase		31.08.2012	
APPV'D				

DESCRIPTION:

Multi activity Centre HARBOUR Maxi



**Tiptaptap** OÜ

Tiptaptap OÜ  
Veetorni 9,  
Jüri alevik, Rae vald,  
75301 Harjumaa

MATERIAL:

wood, metal, plastic

A4

WEIGHT:

SCALE: 1:40

SHEET 7 OF 15

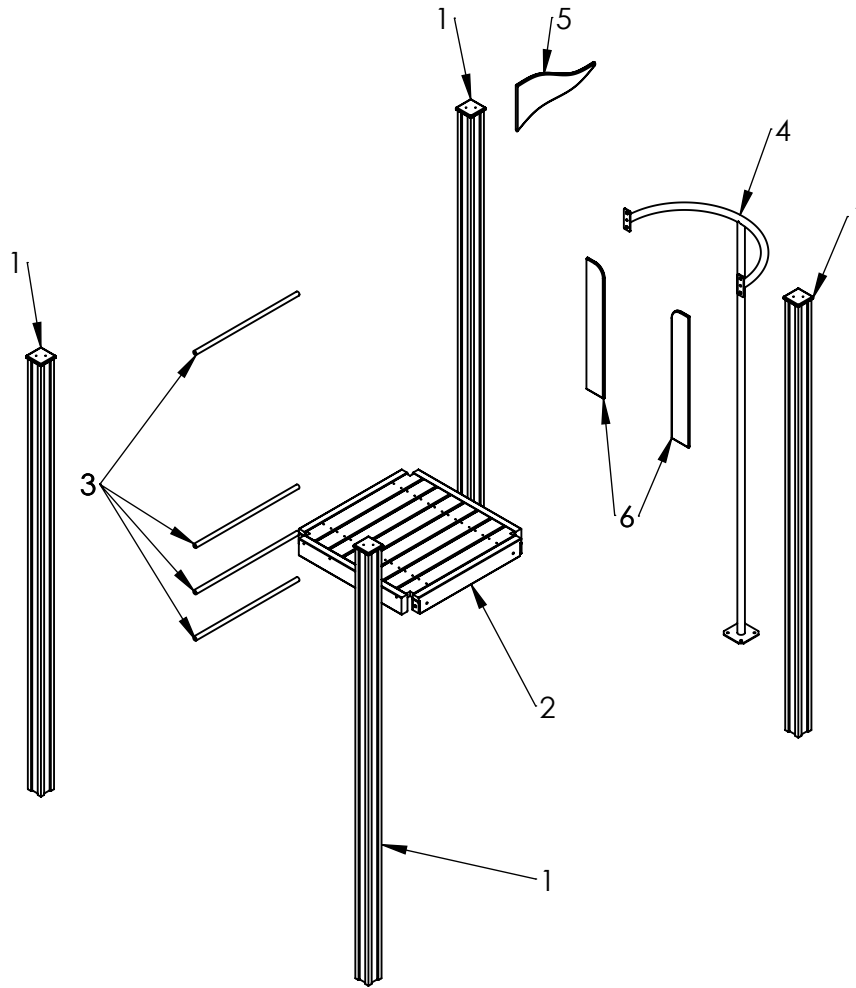
# platform B

A

B

C


D



E

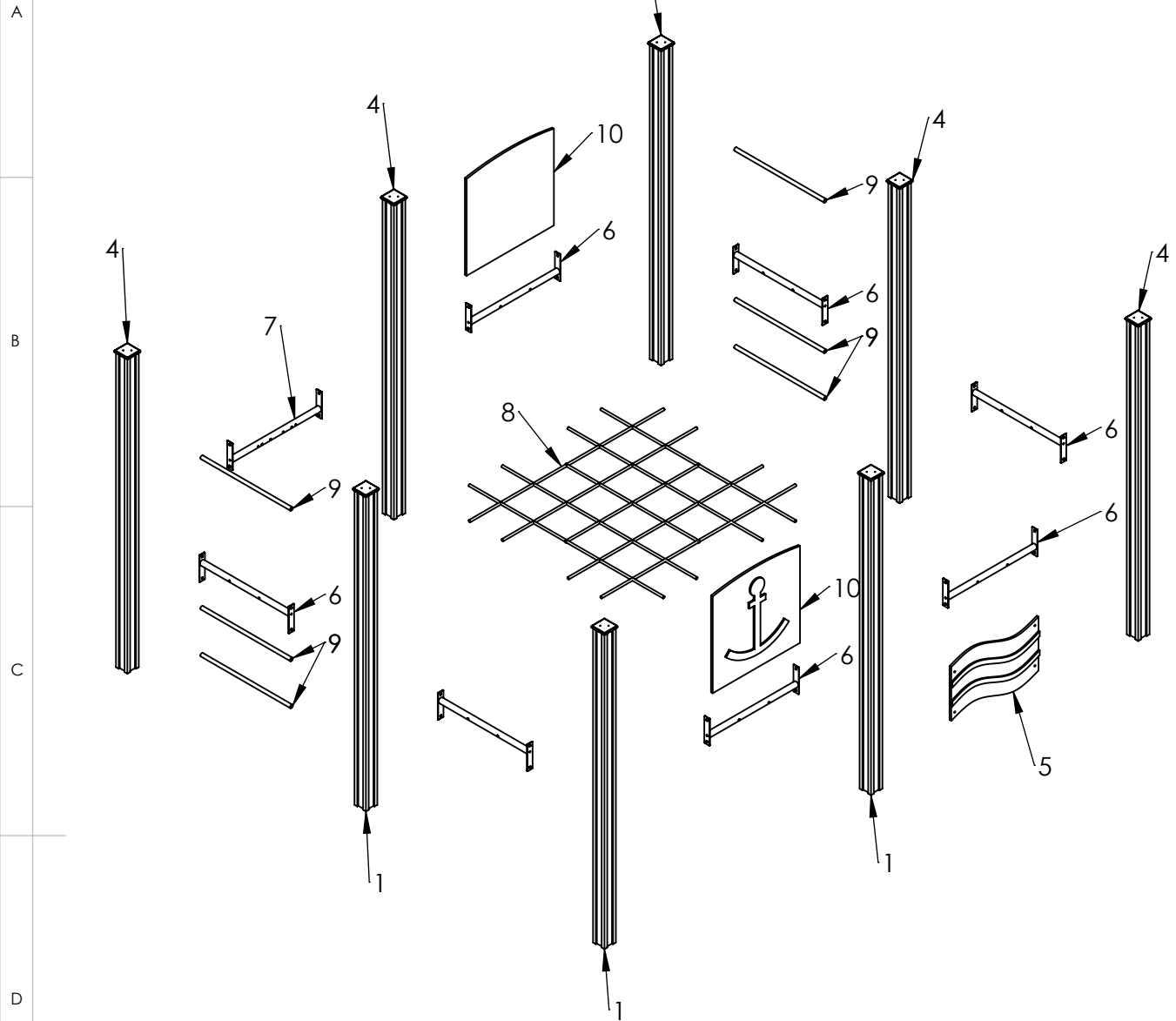
F

ITEM NO.	PART NUMBER	DESCRIPTION	QTY.
1	post 98x98x2800 with top cover	laminated wood, PE plastic	4
2	platform	laminated wood, metal	1
3	guardrail $\phi$ 25x770	painted steel	4
4	climbing pole	galvanized painted steel	1
5	flag	plywood	1
6	panel 750x127	plywood	2

UNLESS OTHERWISE SPECIFIED: DIMENSIONS ARE IN MILLIMETERS WEIGHT ARE IN KILOGRAMM				PART NUMBER / DWG NO.: <b>LM300-1</b>	
NAME	SIGNATURE	DATE	REVISION	DESCRIPTION: <b>Multi activity Centre HARBOUR Maxi</b>	
DRAWN M.Rebase		31.08.2012			
APPV'D					
 <b>Tiptaptap</b> OÜ Tiptaptap OÜ Veetorni 9, Jüri alevik, Rae vald, 75301 Harjumaa				MATERIAL: wood, metal, plastic	
				WEIGHT:	A4
				SCALE: 1:40	SHEET 8 OF 15



# platform C



ITEM NO.	PART NUMBER	DESCRIPTION	QTY.
1	side panel 750x300 wave	plywood	1
2	net 1670x1670	PP covered steel wire	1
3	post 98x98x2350 with top cover	laminated wood	8
4	guardrail $\phi$ 25x770	painted steel	9
5	panel 750x750	plywood	2
6	beam 40x770_2 holes	painted steel	4
7	beam 40x770_6 holes	painted steel	4

UNLESS OTHERWISE SPECIFIED:  
DIMENSIONS ARE IN MILLIMETERS  
WEIGHT ARE IN KILOGRAMM

PART NUMBER / DWG NO.:

LM300-1

	NAME	SIGNATURE	DATE	REVISION
DRAWN	M.Rebase		31.08.2012	
APPV'D				

DESCRIPTION:

Multi activity Centre HARBOUR Maxi

MATERIAL:

wood, metal, plastic

A4

WEIGHT:

SCALE: 1:40

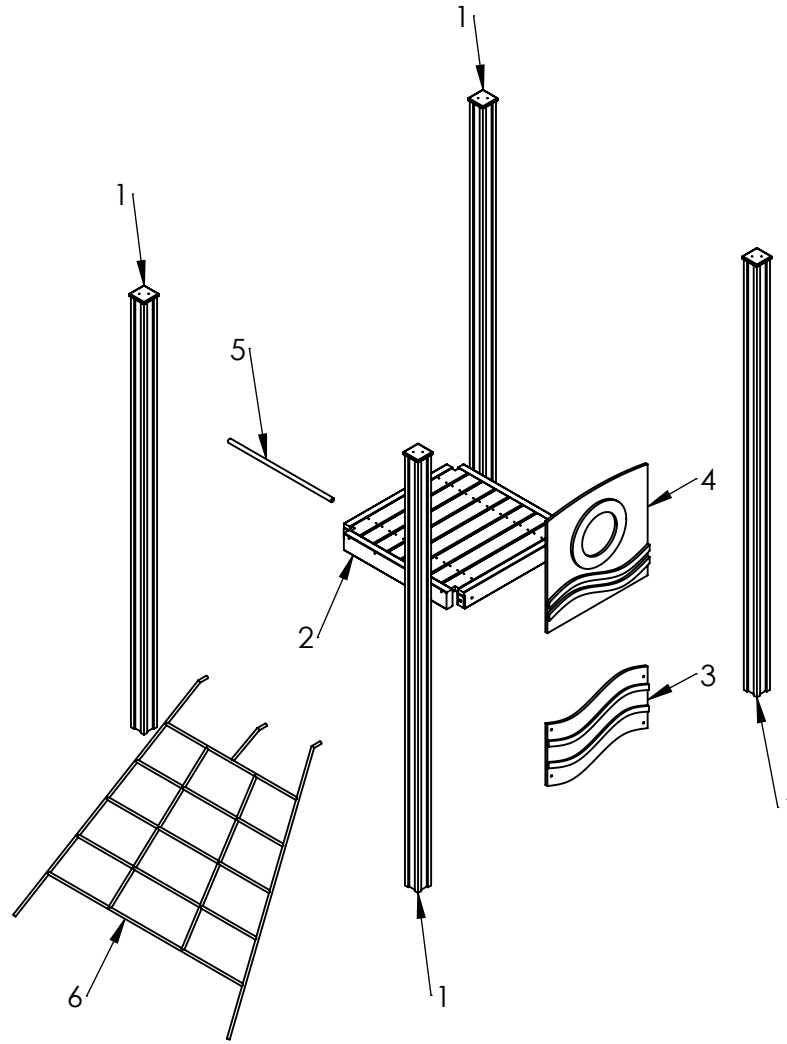
SHEET 9 OF 15




**Tiptaptap** OÜ

Tiptaptap OÜ  
Veetorni 9,  
Jüri alevik, Rae vald,  
75301 Harjumaa

# platform D



ITEM NO.	PART NUMBER	DESCRIPTION	QTY.
1	post 98x98x2800 with top cover	laminated wood, PE plastic	4
2	platform	laminated wood, metal	1
3	side panel 750x300 wave	plywood	1
4	panel 750x750	plywood	1
5	guardrail $\phi$ 25x770	painted steel	1
6	rope ladder h_1200	PP covered steel wire	1

UNLESS OTHERWISE SPECIFIED: DIMENSIONS ARE IN MILLIMETERS WEIGHT ARE IN KILOGRAMM				PART NUMBER / DWG NO.: <b>LM300-1</b>	
NAME	SIGNATURE	DATE	REVISION	DESCRIPTION: <b>Multi activity Centre HARBOUR Maxi</b>	
DRAWN M.Rebase		31.08.2012			
APPV'D					
 <b>Tiptaptap</b> OÜ Veetorni 9, Jüri alevik, Rae vald, 75301 Harjumaa				MATERIAL:	wood, metal, plastic
				WEIGHT:	A4
				SCALE: 1:40	SHEET 10 OF 15

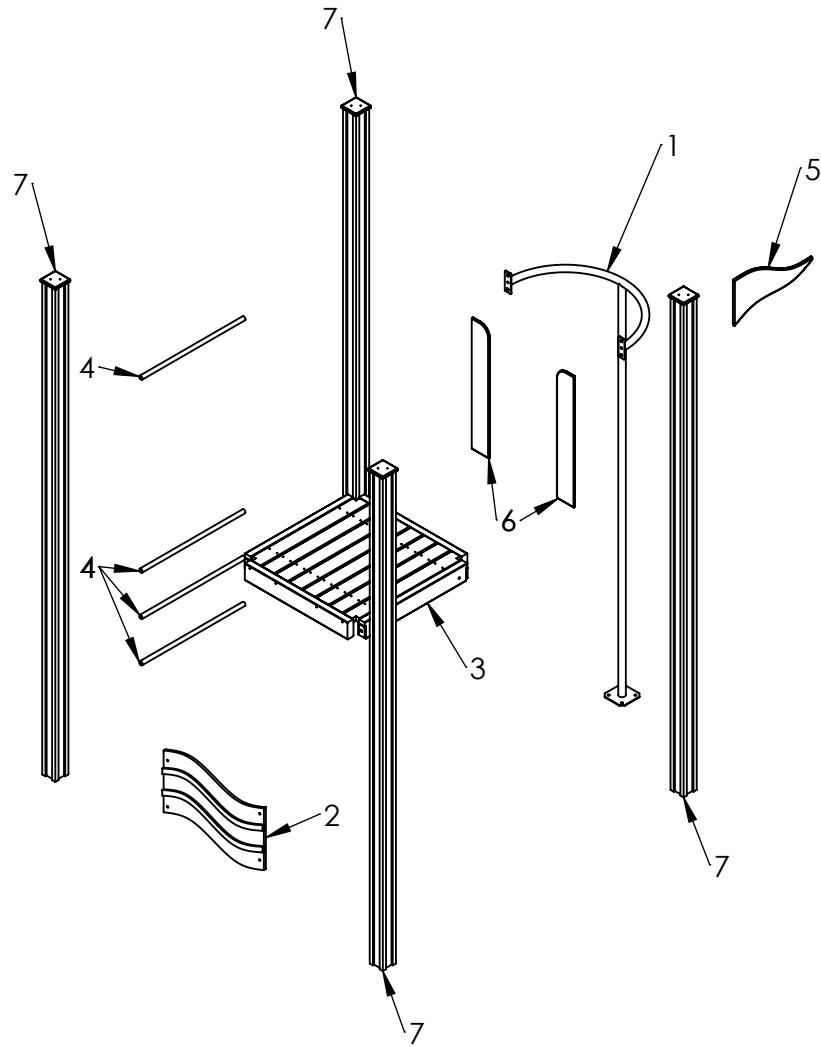
# platform E

A


B

C

D



ITEM NO.	PART NUMBER	DESCRIPTION	QTY.
1	climbing pole	galvanized painted steel	1
2	side panel 750x300 wave	plywood	1
3	platform	laminated wood, metal	1
4	guardrail $\phi$ 25x770	painted steel	4
5	flag	plywood	1
6	panel 750x127	plywood	2
7	post 98x98x3200 with top cover	laminated wood, PE plastic	4

UNLESS OTHERWISE SPECIFIED: DIMENSIONS ARE IN MILLIMETERS WEIGHT ARE IN KILOGRAMM				PART NUMBER / DWG NO.: <b>LM300-1</b>	
	NAME	SIGNATURE	DATE	REVISION	
DRAWN	M.Rebase		31.08.2012		
APPV'D					
 <b>Tiptiptap</b> OÜ Veetorni 9, Jüri alevik, Rae vald, 75301 Harjumaa				DESCRIPTION: <b>Multi activity Centre HARBOUR Maxi</b>	
MATERIAL:				wood, metal, plastic	A4
WEIGHT:				SCALE: 1:40	SHEET 11 OF 15

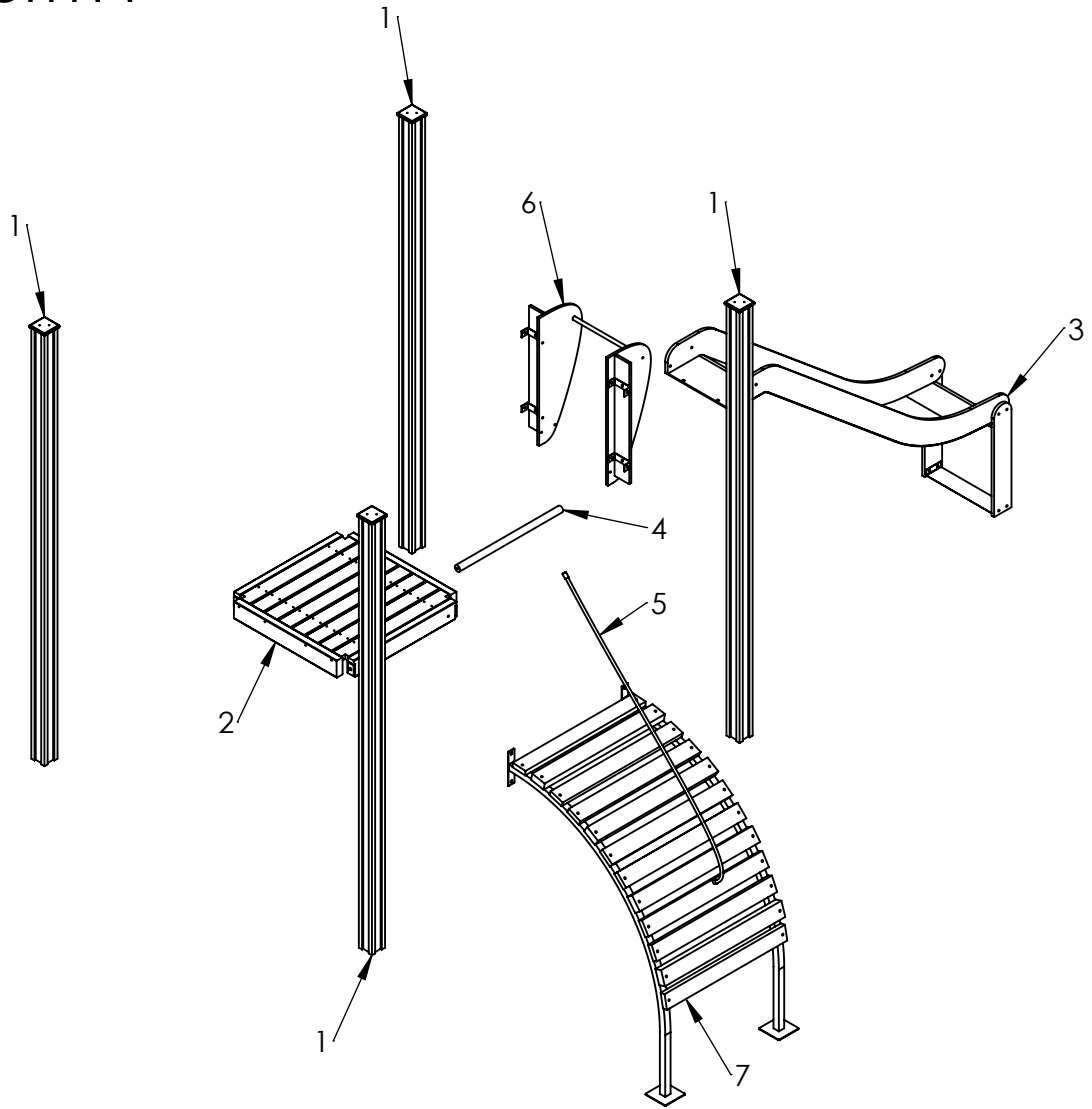
# platform F

A

B

C

D



E

F

ITEM NO.	PART NUMBER	DESCRIPTION	QTY.
1	post 98x98x2800 with top cover	laminated wood, PE plastic	4
2	platform	laminated wood, metal	1
3	slide h_1200	stainless steel, PE plastic	1
4	guardrail d.40x770	painted steel	1
5	rope	PP covered steel wire	1
6	slide guard block	plywood, painted steel	1
7	curved ramp	wood, metal	1

UNLESS OTHERWISE SPECIFIED:  
DIMENSIONS ARE IN MILLIMETERS  
WEIGHT ARE IN KILOGRAMM

PART NUMBER / DWG NO.:

LM300-1

	NAME	SIGNATURE	DATE	REVISION
DRAWN	M.Rebase		31.08.2012	
APPV'D				

DESCRIPTION:

Multi activity Centre HARBOUR Maxi

MATERIAL:

wood, metal, plastic

A4

WEIGHT:

SCALE: 1:40

SHEET 12 OF 15



**Tiptaptap** OÜ

Tiptaptap OÜ  
Veetorni 9,  
Jüri alevik, Rae vald,  
75301 Harjumaa

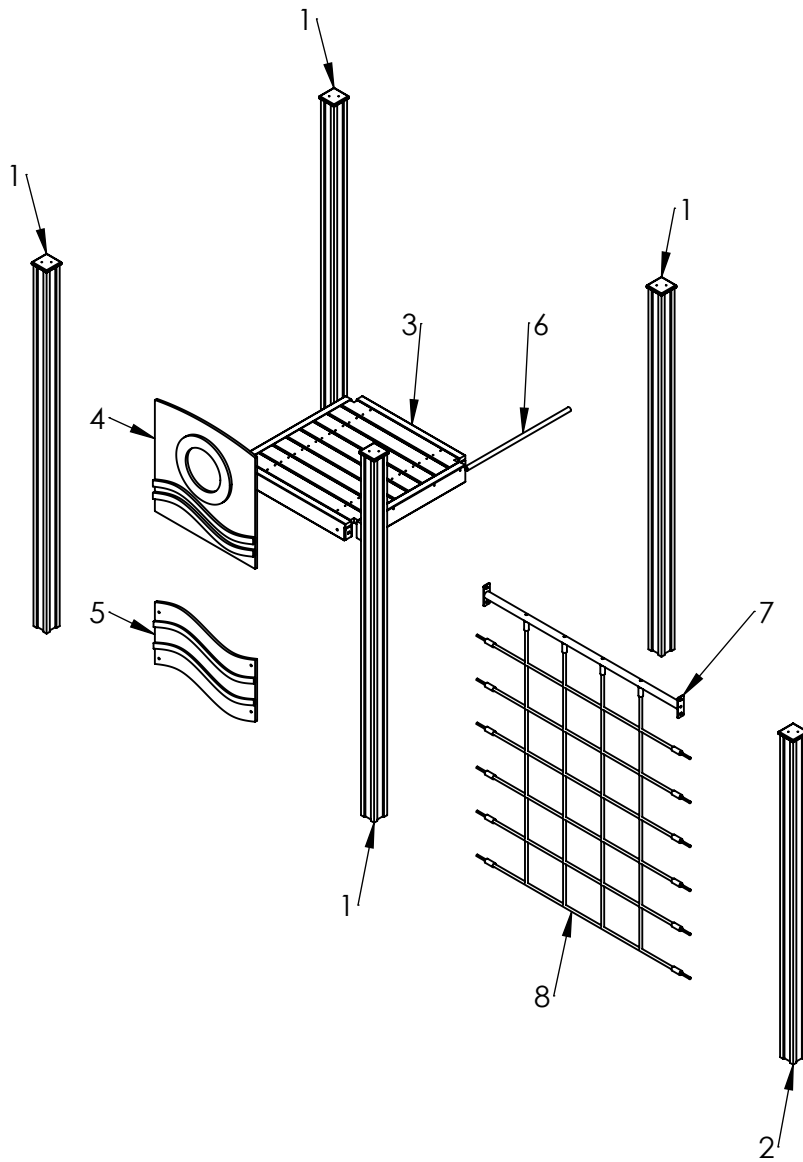
# platform G

A

B

C

D



ITEM NO.	PART NUMBER	DESCRIPTION	QTY.
1	post 98x98x2350 with top cover	laminated wood	4
2	post 98x98x2100 with top cover	laminated wood, PE plastic	1
3	platform	laminated wood, metal	1
4	panel 750x750	plywood	1
5	side panel 750x300 wave	plywood	1
6	guardrail $\phi$ 25x770	painted steel	1
7	beam 40x1455	painted steel	1
8	climbing net	PP covered steel wire	1

UNLESS OTHERWISE SPECIFIED:  
DIMENSIONS ARE IN MILLIMETERS  
WEIGHT ARE IN KILOGRAMM

PART NUMBER / DWG NO.:

LM300-1

	NAME	SIGNATURE	DATE	REVISION
DRAWN	M.Rebase		31.08.2012	
APPV'D				

DESCRIPTION:

Multi activity Centre HARBOUR Maxi

MATERIAL:

wood, metal, plastic

A4

WEIGHT:

SCALE: 1:40

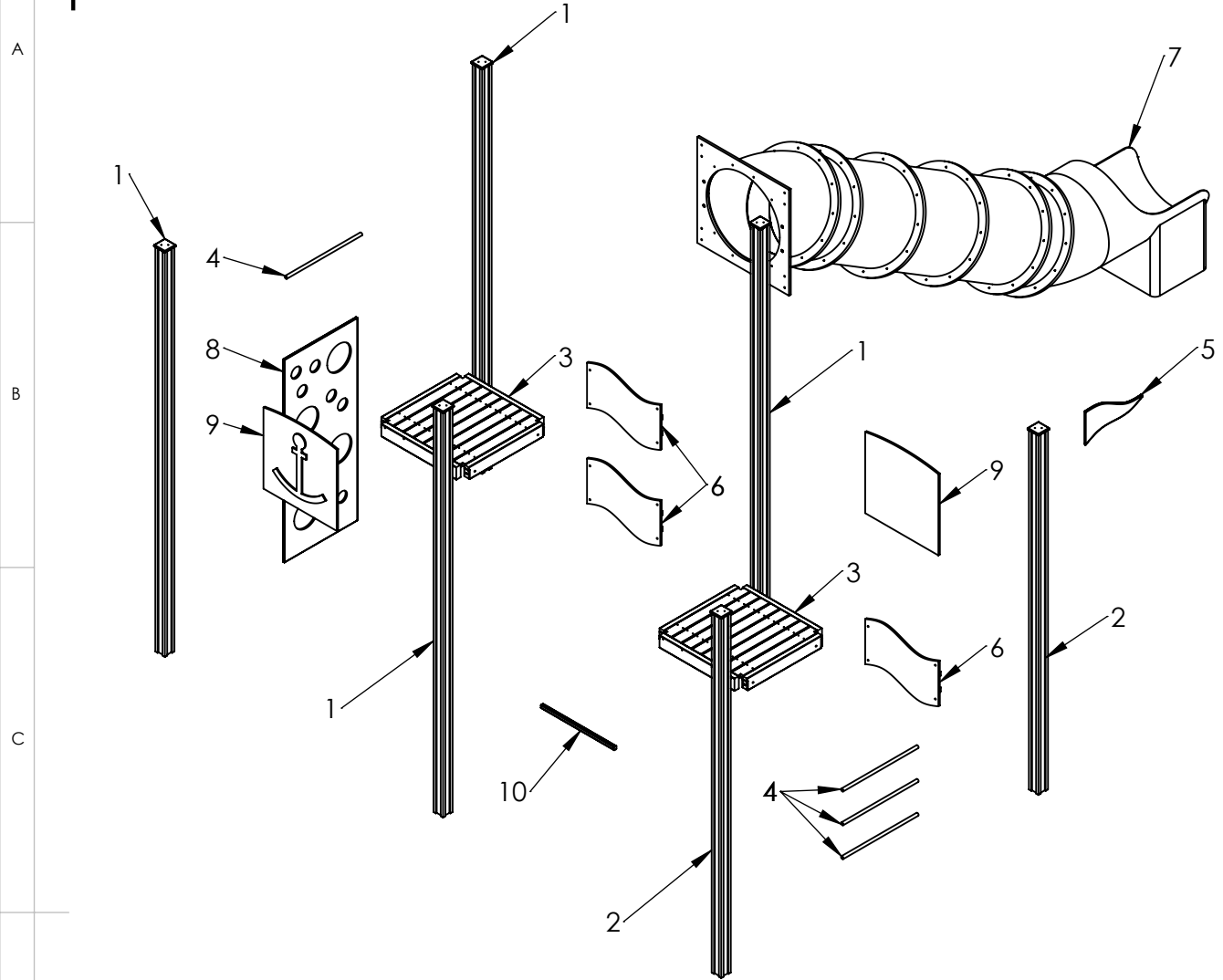
SHEET 13 OF 15



**Tiptaptap** OÜ

Tiptaptap OÜ  
Veetorni 9,  
Jüri alevik, Rae vald,  
75301 Harjumaa

# platform H



ITEM NO.	PART NUMBER	DESCRIPTION	QTY.
1	post 98x98x3600 with top cover	laminated wood, PE plastic	4
2	post 98x98x3200 with top cover	laminated wood, PE plastic	2
3	platform	laminated wood, metal	2
4	guardrail $\phi$ 25x770	painted steel	4
5	flag	plywood	1
6	side panel 750x300 wave	plywood	3
7	tunnel slide	PE plastic	1
8	climbing wall 750x1800	plywood	1
9	panel 750x750	plywood	2
10	slat 25x30x750	wood	1

UNLESS OTHERWISE SPECIFIED:  
DIMENSIONS ARE IN MILLIMETERS  
WEIGHT ARE IN KILOGRAMM

PART NUMBER / DWG NO.:

LM300-1

	NAME	SIGNATURE	DATE	REVISION
DRAWN	M.Rebase		31.08.2012	
APPV'D				

DESCRIPTION:

Multi activity Centre HARBOUR Maxi



**Tiptiptap** OÜ

Tiptiptap OÜ  
Veetorni 9,  
Jüri alevik, Rae vald,  
75301 Harjumaa

MATERIAL:

wood, metal, plastic

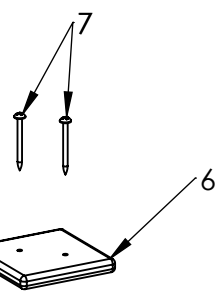
A4

WEIGHT:

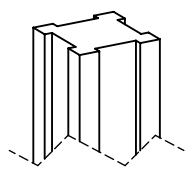
SCALE: 1:50

SHEET 14 OF 15

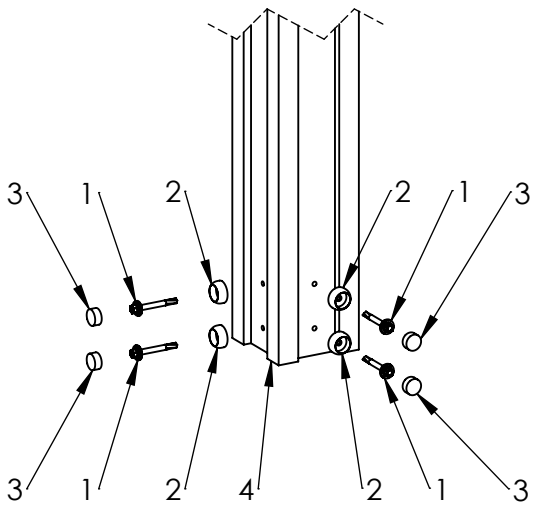
A



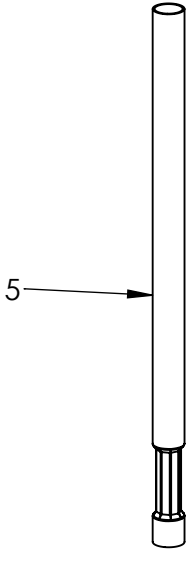
B



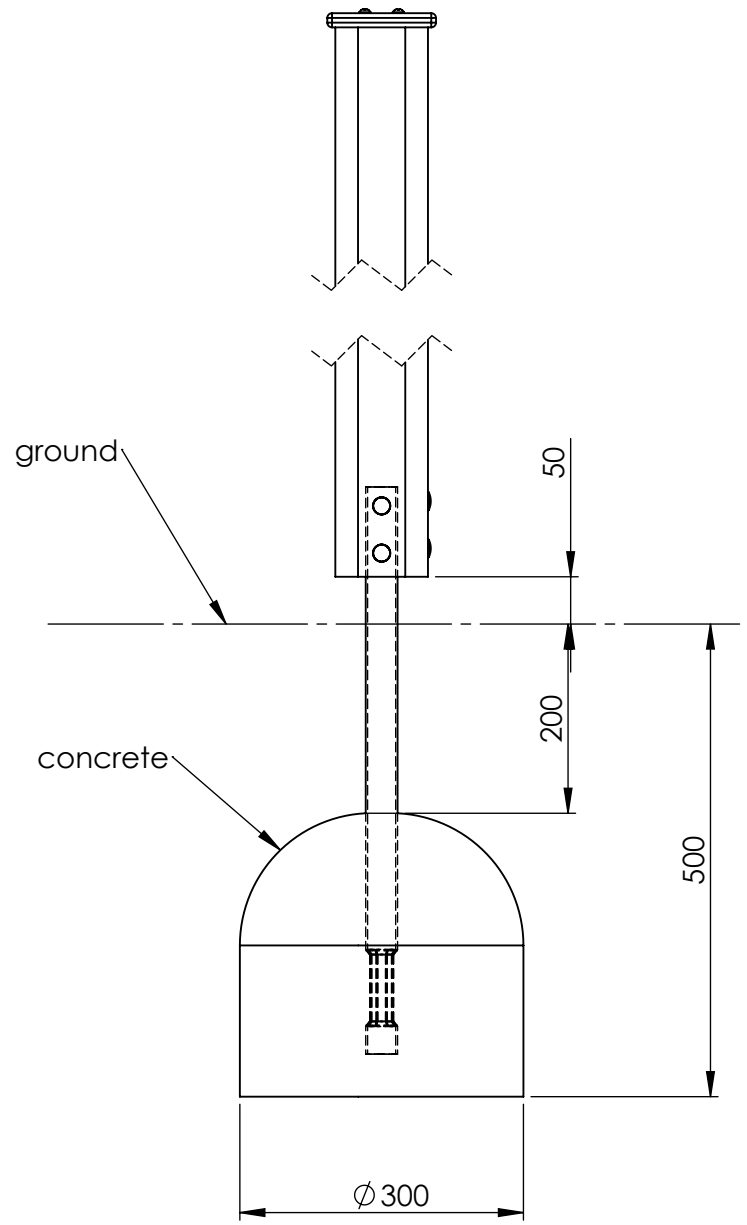
C



D



E



ITEM NO.	PART NUMBER
1	screw DIN7504K 5,5x50
2	nut cover M6
3	nut cover cap M6
4	post 98x98
5	metal ground fixing L_600
6	plastic cap 115x115
7	screw DIN7996 6x60

UNLESS OTHERWISE SPECIFIED:  
 DIMENSIONS ARE IN MILLIMETERS  
 WEIGHT ARE IN KILOGRAMM

PART NUMBER / DWG NO.:  
**LM300-1**

	NAME	SIGNATURE	DATE	REVISION
DRAWN	M.Rebase		31.08.2012	
APPV'D				

DESCRIPTION:  
**Multi activity Centre HARBOUR Maxi connecting metal ground fixing to post**

F



**Tiptaptap** OÜ

Tiptaptap OÜ  
 Veetorni 9,  
 Jüri alevik, Rae vald,  
 75301 Harjumaa

MATERIAL:	wood, metal, plastic	A4
WEIGHT:	SCALE: 1:8	SHEET 15 OF 15