

A

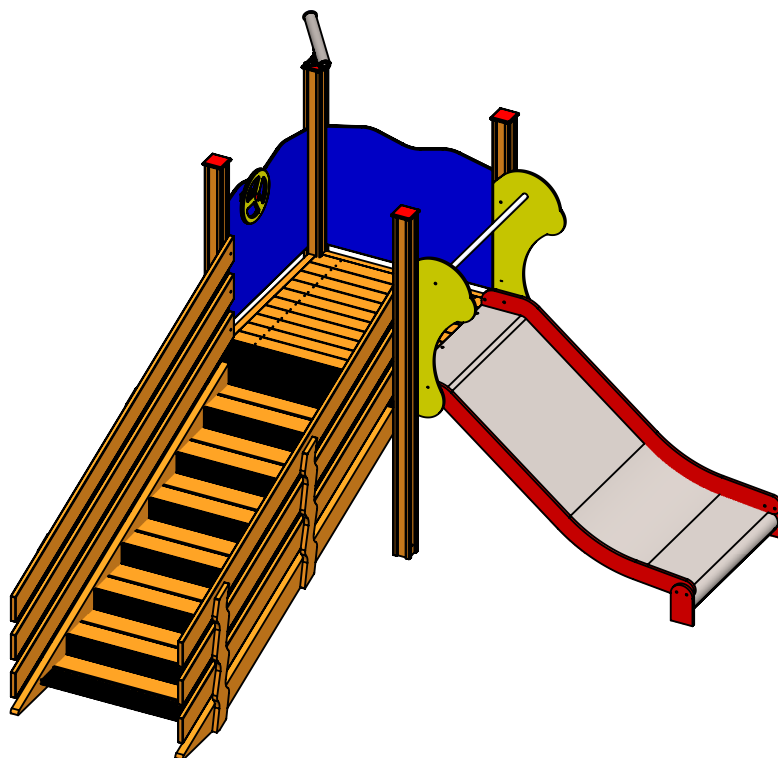
B

C

D

E

F



UNLESS OTHERWISE SPECIFIED:
DIMENSIONS ARE IN MILLIMETERS
WEIGHT ARE IN KILOGRAMM

PART NUMBER / DWG NO.:

LM224

	NAME	SIGNATURE	DATE	REVISION
DRAWN	M.Rebase		07.05.2014	
APPV'D				

DESCRIPTION:

Slide THEO



Tiptaptap OÜ

Tiptaptap OÜ
Veetorni 9,
Jüri alevik, Rae vald,
75301 Harjumaa

MATERIAL:

wood, metal, plastic

A4

WEIGHT:

SCALE: 1:40

SHEET 1 OF 7

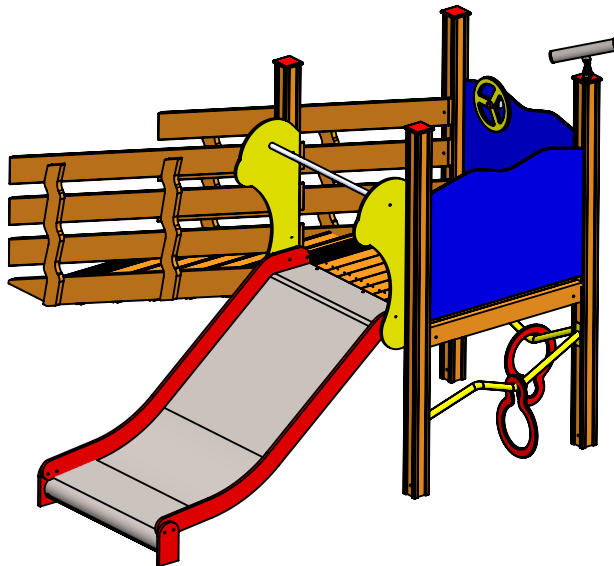
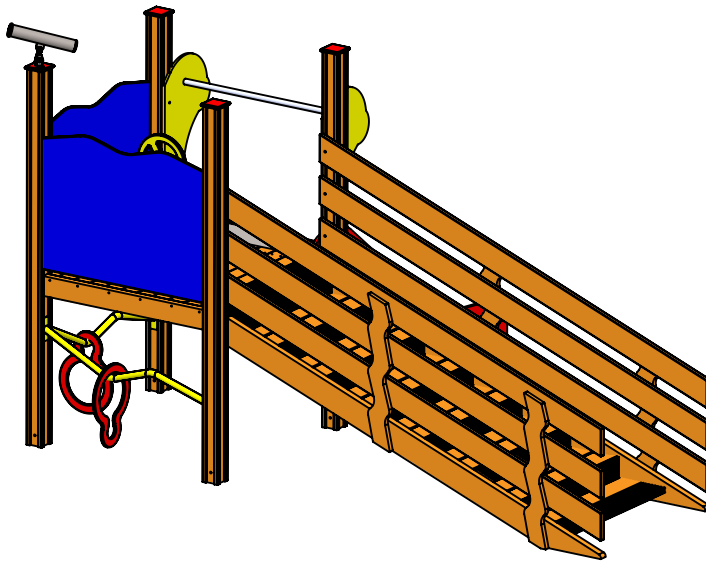
A

B

C

D

E



UNLESS OTHERWISE SPECIFIED:
 DIMENSIONS ARE IN MILLIMETERS
 WEIGHT ARE IN KILOGRAMM

PART NUMBER / DWG NO.:

LM224

	NAME	SIGNATURE	DATE	REVISION
DRAWN	M.Rebase		07.05.2014	
APPV'D				

DESCRIPTION:

Slide THEO

F



Tiptaptap OÜ

Tiptaptap OÜ
 Veetorni 9,
 Jüri alevik, Rae vald,
 75301 Harjumaa

MATERIAL:

wood, metal, plastic

A4

WEIGHT:

SCALE: 1:40

SHEET 2 OF 7

safety area

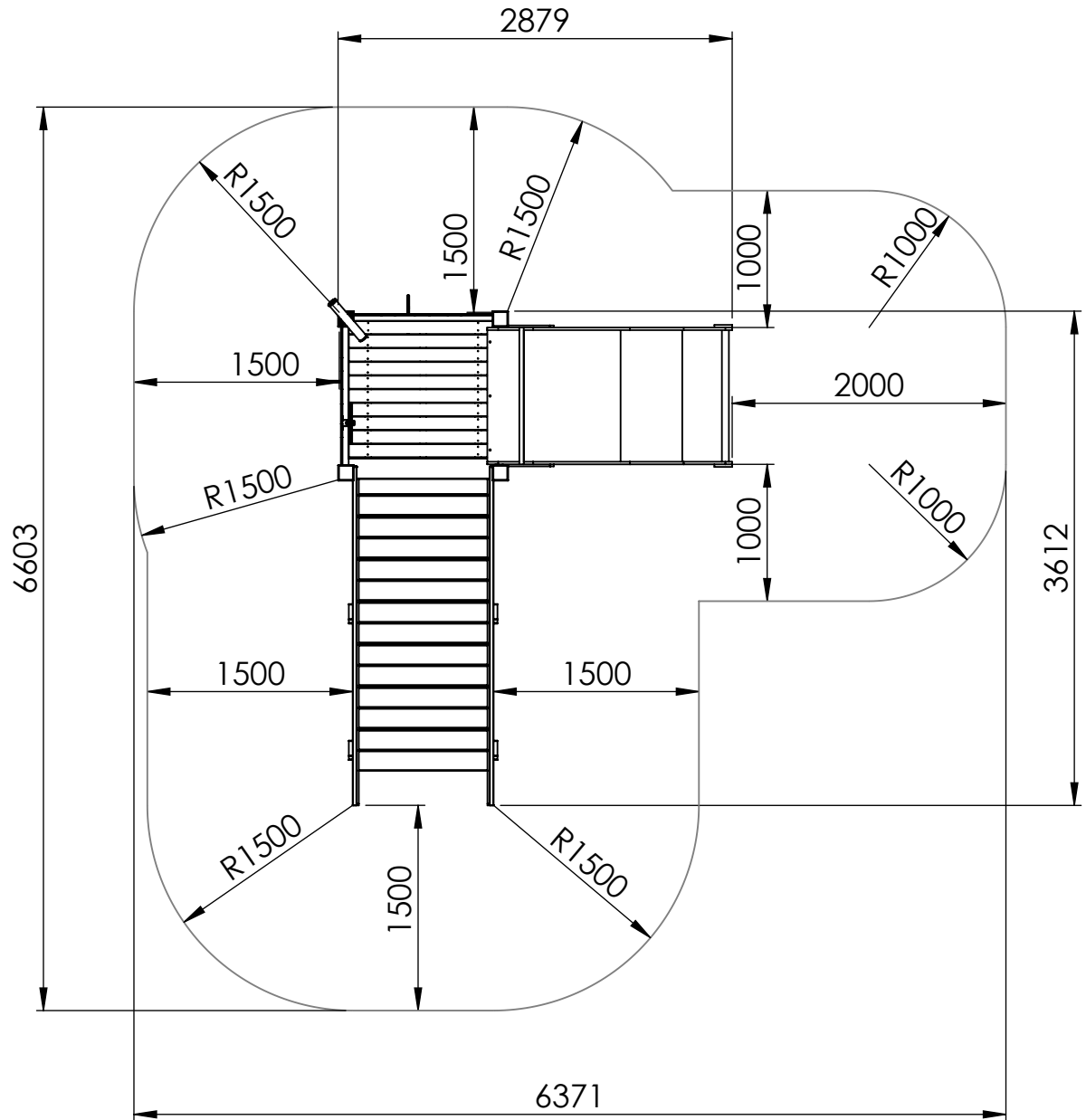
A

B

C

D

E



UNLESS OTHERWISE SPECIFIED:
DIMENSIONS ARE IN MILLIMETERS
WEIGHT ARE IN KILOGRAMM

PART NUMBER / DWG NO.:

LM224

	NAME	SIGNATURE	DATE	REVISION
DRAWN	M.Rebase		07.05.2014	
APPV'D				

DESCRIPTION:

Slide THEO

F



Tiptaptap OÜ

Tiptaptap OÜ
Veetorni 9,
Jüri alevik, Rae vald,
75301 Harjumaa

MATERIAL:

wood, metal, plastic

A4

WEIGHT:

SCALE: 1:50

SHEET 3 OF 7

foundation

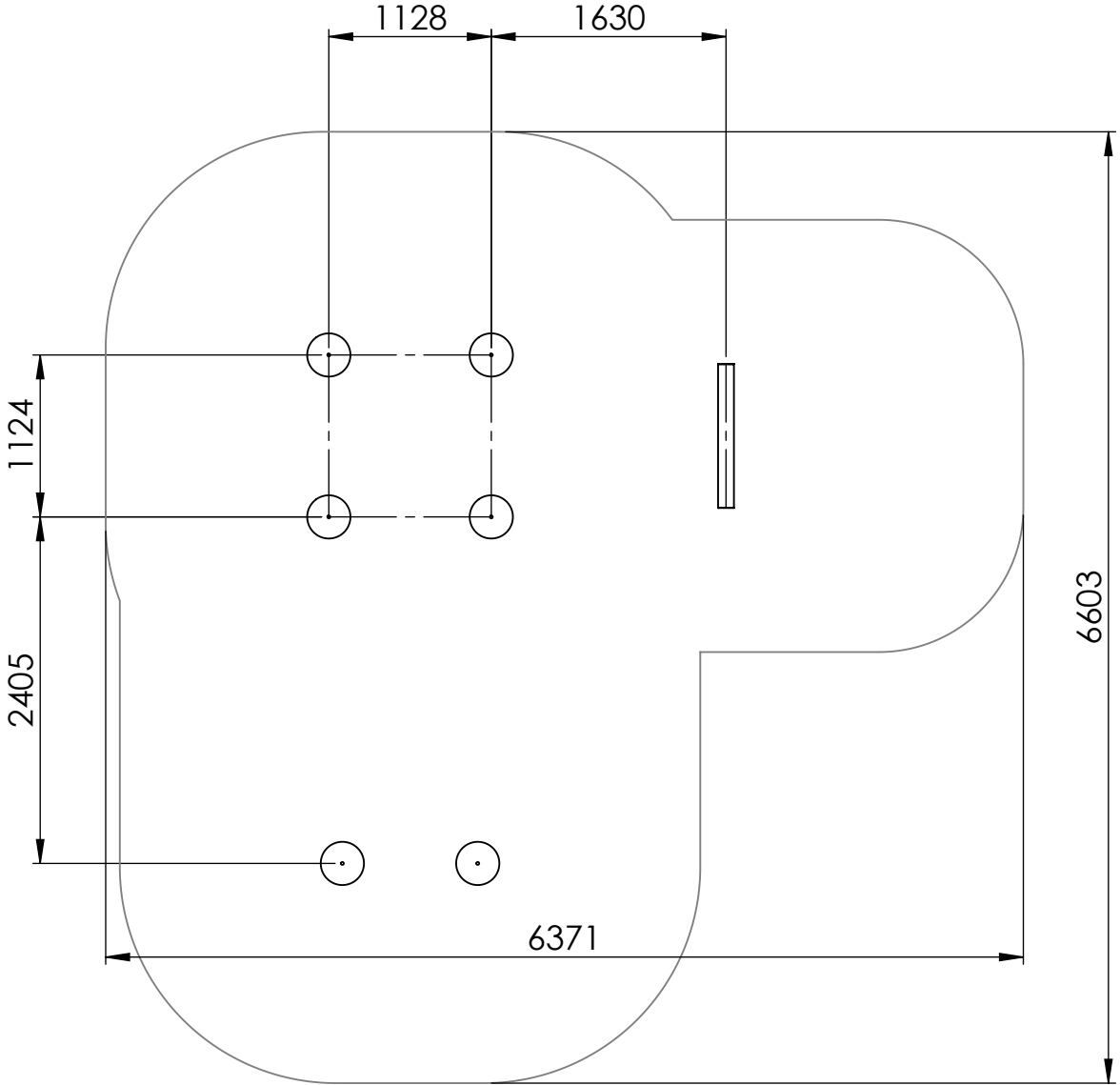
A

B

C

D

E



UNLESS OTHERWISE SPECIFIED:
 DIMENSIONS ARE IN MILLIMETERS
 WEIGHT ARE IN KILOGRAMM

PART NUMBER / DWG NO.:

LM224

	NAME	SIGNATURE	DATE	REVISION
DRAWN	M.Rebase		07.05.2014	
APPV'D				

DESCRIPTION:

Slide THEO



Tiptap OÜ

Tiptap OÜ
 Veetorni 9,
 Jüri alevik, Rae vald,
 75301 Harjumaa

MATERIAL:

wood, metal, plastic

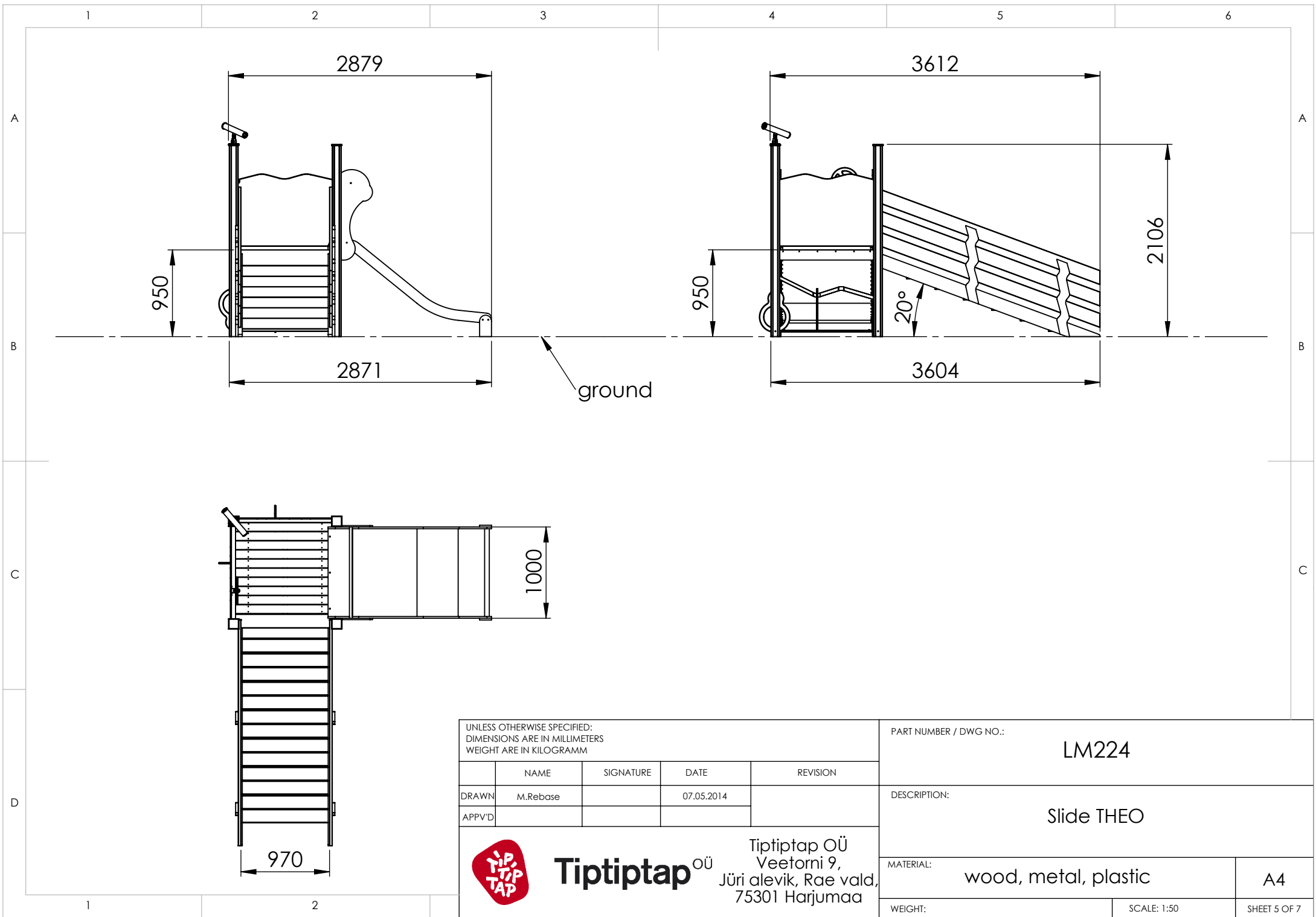
A4

WEIGHT:

SCALE: 1:50

SHEET 4 OF 7

F



UNLESS OTHERWISE SPECIFIED:
 DIMENSIONS ARE IN MILLIMETERS
 WEIGHT ARE IN KILOGRAMM

	NAME	SIGNATURE	DATE	REVISION
DRAWN	M.Rebase		07.05.2014	
APPV'D				

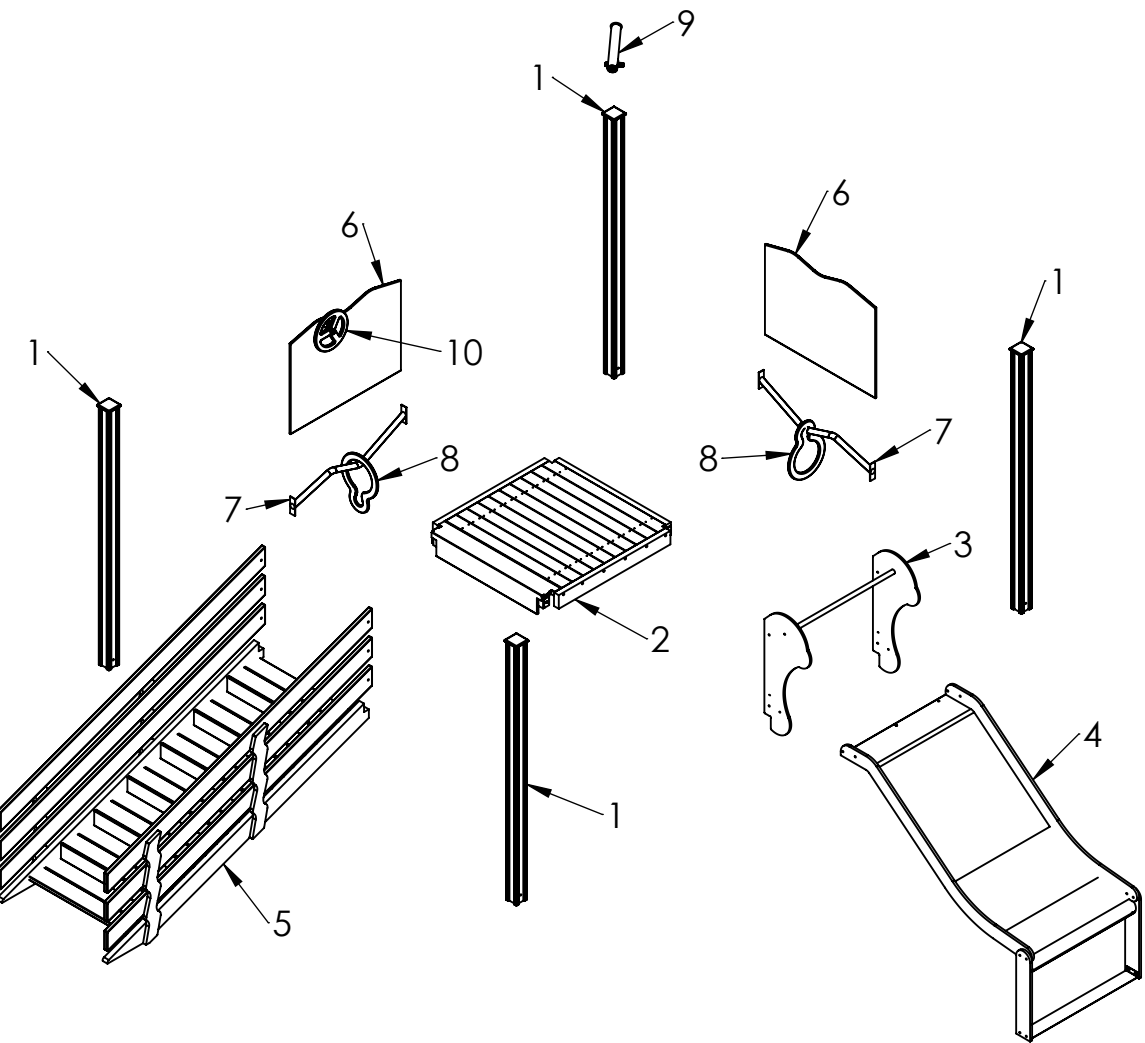

Tiptap OÜ
 Tiptap OÜ
 Veetorni 9,
 Jüri alevik, Rae vald,
 75301 Harjumaa

PART NUMBER / DWG NO.: **LM224**

DESCRIPTION: **Slide THEO**

MATERIAL: **wood, metal, plastic** A4

WEIGHT: SCALE: 1:50 SHEET 5 OF 7



ITEM NO.	PART NUMBER	DESCRIPTION	QTY.
1	post 98x98x2100	laminated wood	4
2	platform	laminated wood, metal	1
3	slide guard block	plywood, metal, plastic	1
4	slide h.950 x 1000	stainless steel, PE plastic	1
5	Stair h.950x1000	laminated wood	1
6	panel 1030x700	plywood	2
7	tube d.40x1048	painted steel	2
8	motor skills game	PE plastic	2
9	spyglass	stainless steel, plastic	1
10	captain wheel with fixings	plastic, metal	1

UNLESS OTHERWISE SPECIFIED:
DIMENSIONS ARE IN MILLIMETERS
WEIGHT ARE IN KILOGRAMM

PART NUMBER / DWG NO.:
LM224

	NAME	SIGNATURE	DATE	REVISION
DRAWN	M.Rebase		07.05.2014	
APPV'D				

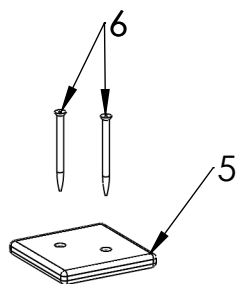
DESCRIPTION:
Slide THEO



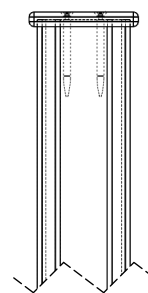
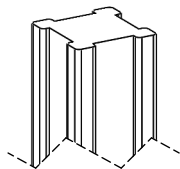
Tiptiptap OÜ
Veetorni 9,
Jüri alevik, Rae vald,
75301 Harjumaa

MATERIAL:	wood, metal, plastic	A4
WEIGHT:	SCALE: 1:50	SHEET 6 OF 7

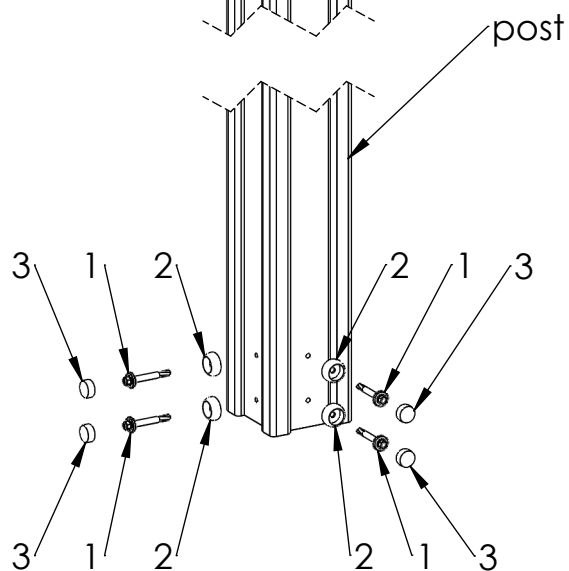
A



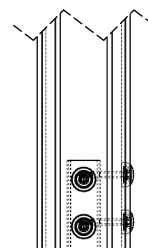
B



C

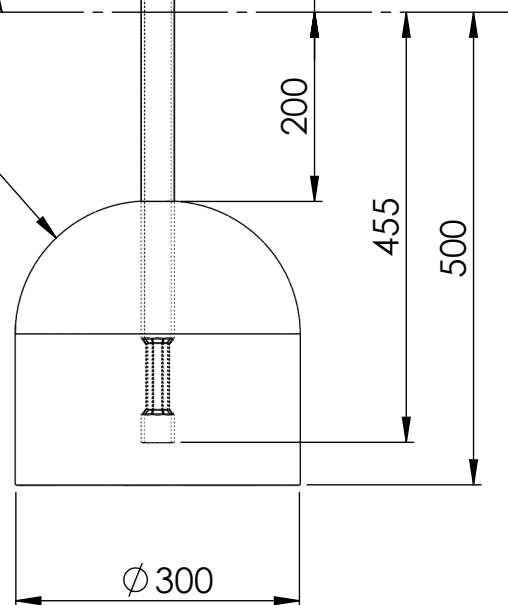
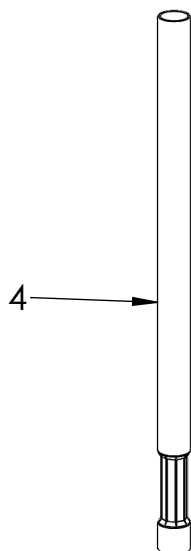


ground



concrete

D



E

ITEM NO.	PART NUMBER
1	screw DIN7504K 5,5x50
2	nut cover M6
3	nut cover cap M6
4	metal ground fixing L_600
5	plastic cap 115x115
6	woodscrew 6 x 90

UNLESS OTHERWISE SPECIFIED:
DIMENSIONS ARE IN MILLIMETERS
WEIGHT ARE IN KILOGRAMM

PART NUMBER / DWG NO.:

LM224

	NAME	SIGNATURE	DATE	REVISION
DRAWN	M.Rebase		07.05.2014	
APPV'D				

DESCRIPTION:

Slide THEO
connecting metal ground fixing to post

F



Tiptaptap OÜ

Tiptaptap OÜ
Veetorni 9,
Jüri alevik, Rae vald,
75301 Harjumaa

MATERIAL:

wood, metal, plastic

A4

WEIGHT:

SCALE: 1:8

SHEET 7 OF 7