

A

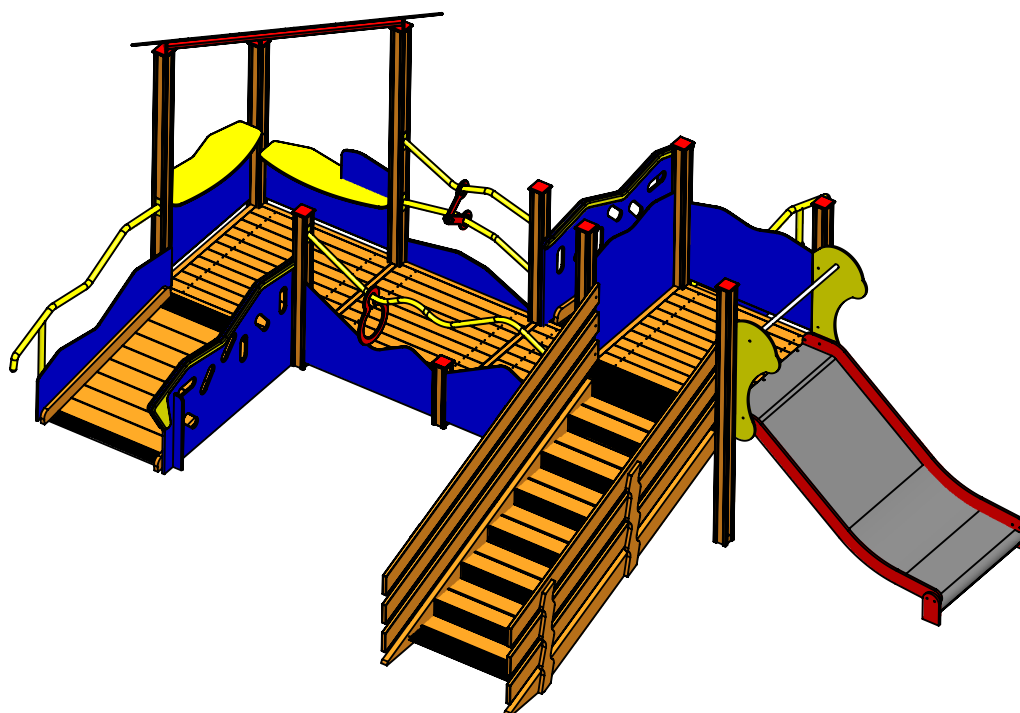
B

C

D

E

F



UNLESS OTHERWISE SPECIFIED:  
DIMENSIONS ARE IN MILLIMETERS  
WEIGHT ARE IN KILOGRAMM

PART NUMBER / DWG NO.:

LM223

	NAME	SIGNATURE	DATE	REVISION
DRAWN	M.Rebase		07.05.2014	
APPV'D				

DESCRIPTION:

Play Centre THERESA



**Tiptaptap** OÜ

Tiptaptap OÜ  
Veetorni 9,  
Jüri alevik, Rae vald,  
75301 Harjumaa

MATERIAL:

wood, metal, plastic

A4

WEIGHT:

SCALE: 1:50

SHEET 1 OF 8

A

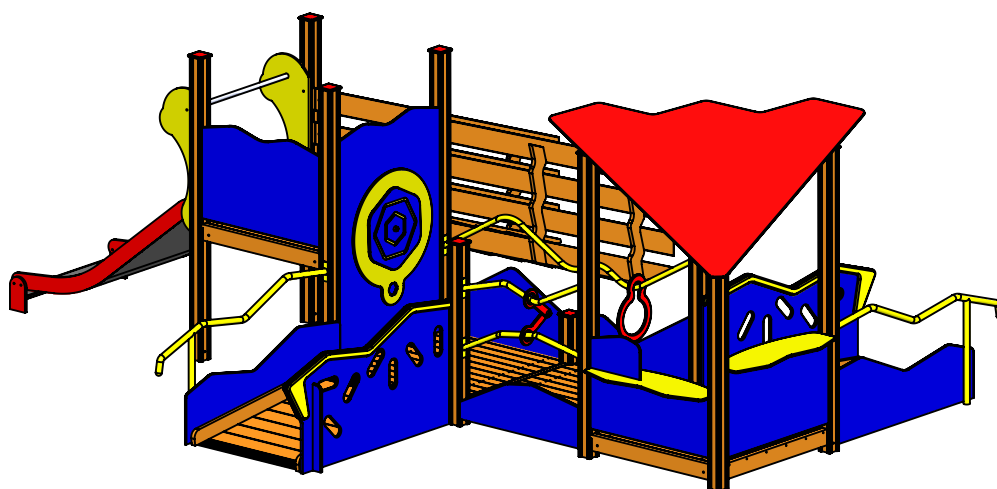
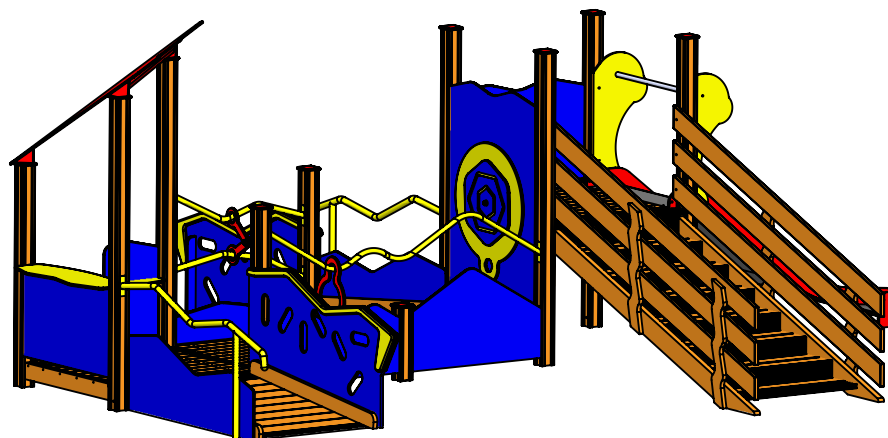
B

C

D

E

F



UNLESS OTHERWISE SPECIFIED:  
DIMENSIONS ARE IN MILLIMETERS  
WEIGHT ARE IN KILOGRAMM

PART NUMBER / DWG NO.:

LM223

	NAME	SIGNATURE	DATE	REVISION
DRAWN	M.Rebase		07.05.2014	
APPV'D				

DESCRIPTION:

Play Centre THERESA



**Tiptaptap** OÜ

Tiptaptap OÜ  
Veetorni 9,  
Jüri alevik, Rae vald,  
75301 Harjumaa

MATERIAL:

wood, metal, plastic

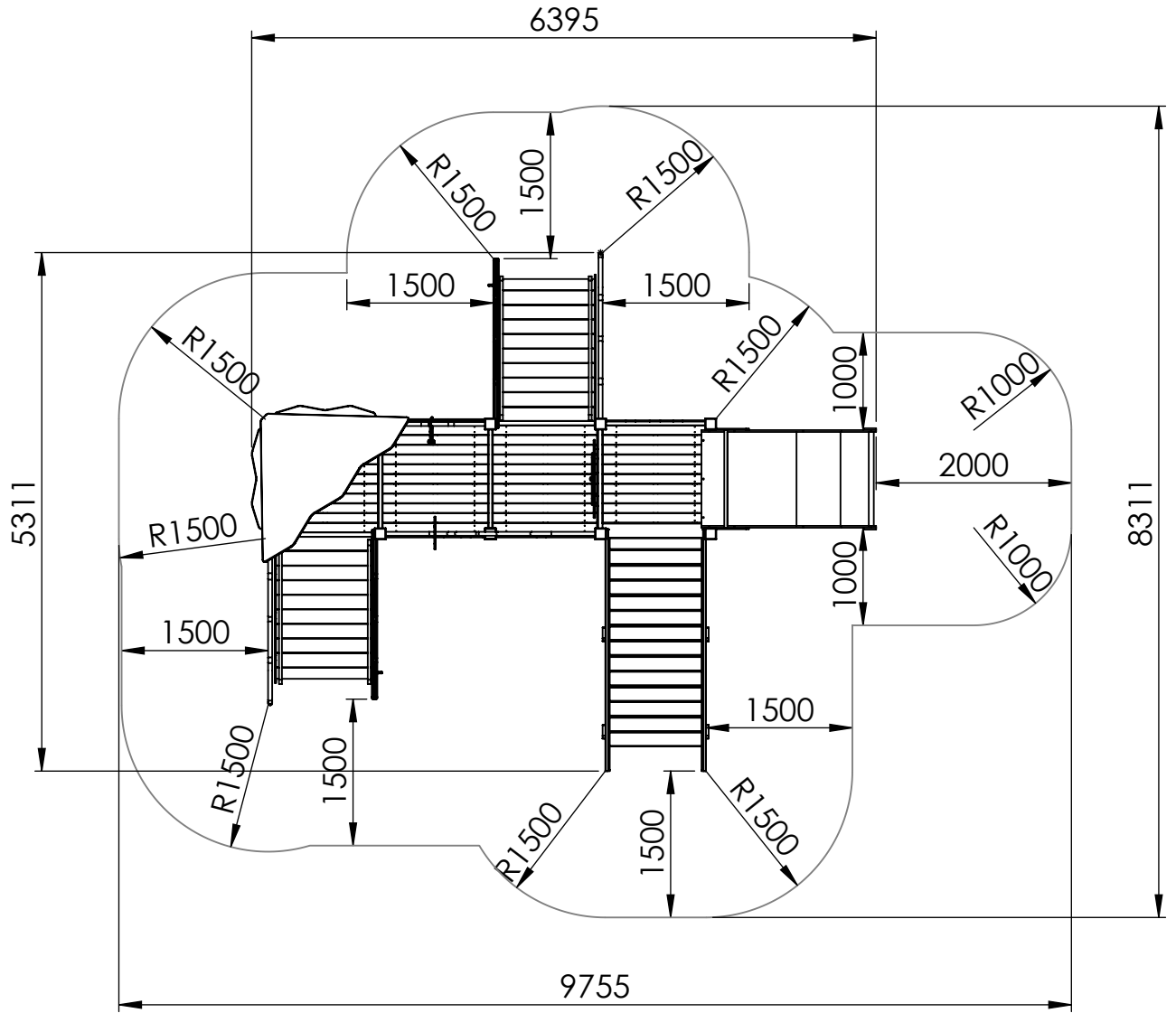
A4

WEIGHT:

SCALE: 1:50

SHEET 2 OF 8

# safety area



UNLESS OTHERWISE SPECIFIED:  
DIMENSIONS ARE IN MILLIMETERS  
WEIGHT ARE IN KILOGRAMM

PART NUMBER / DWG NO.:

LM223

	NAME	SIGNATURE	DATE	REVISION
DRAWN	M.Rebase		07.05.2014	
APPV'D				

DESCRIPTION:

Play Centre THERESA



**Tiptaptap** OÜ

Tiptaptap OÜ  
Veetorni 9,  
Jüri alevik, Rae vald,  
75301 Harjumaa

MATERIAL:

wood, metal, plastic

A4

WEIGHT:

SCALE: 1:70

SHEET 3 OF 8

# foundation

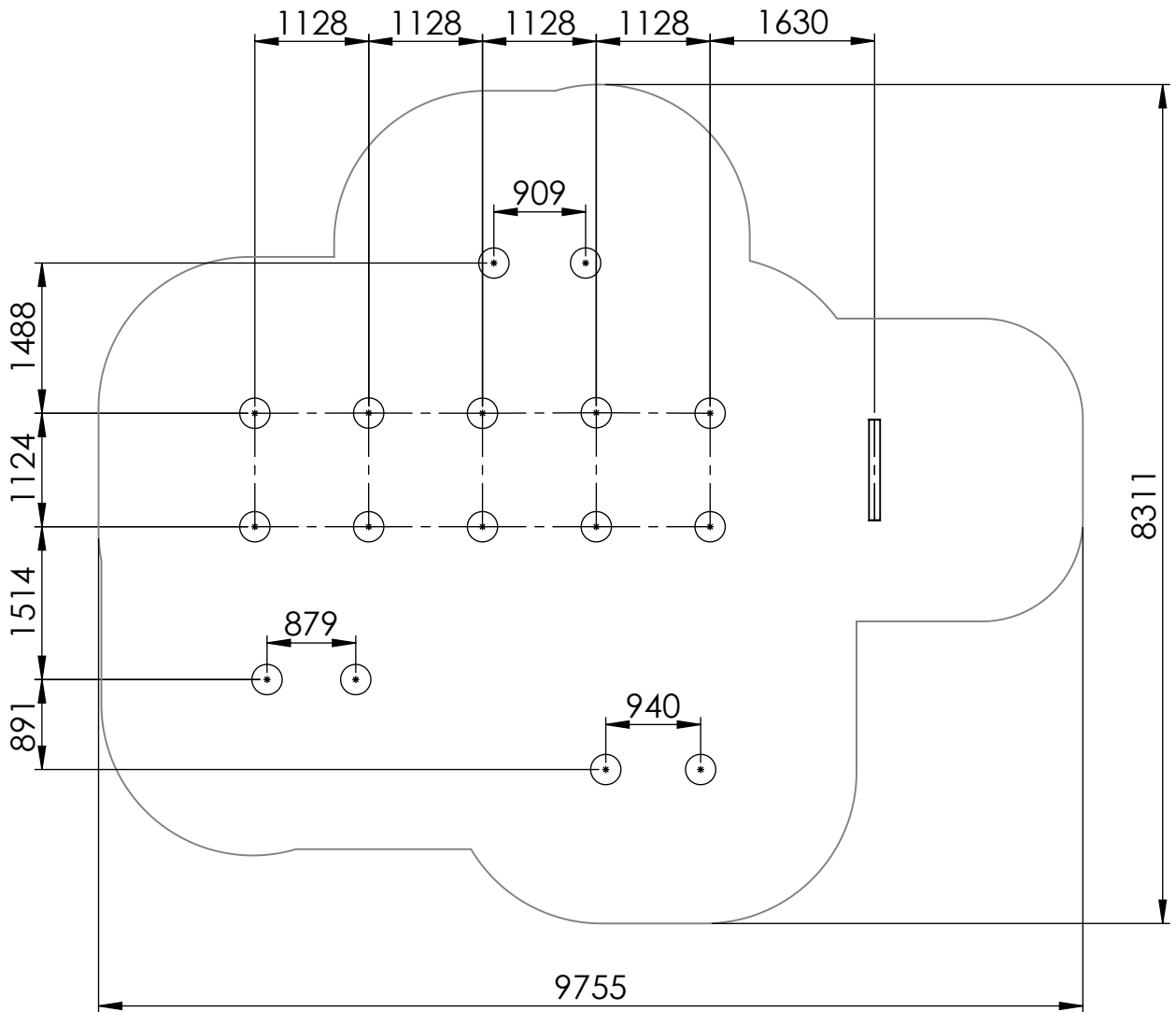
A

B

C

D

E



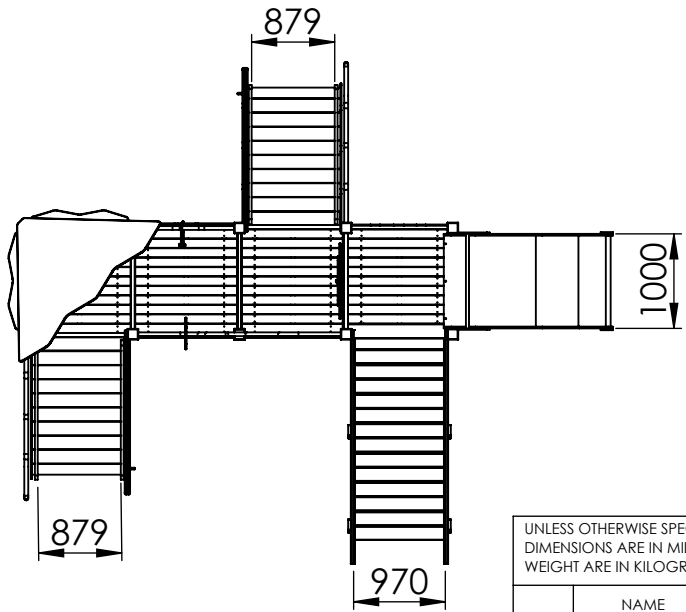
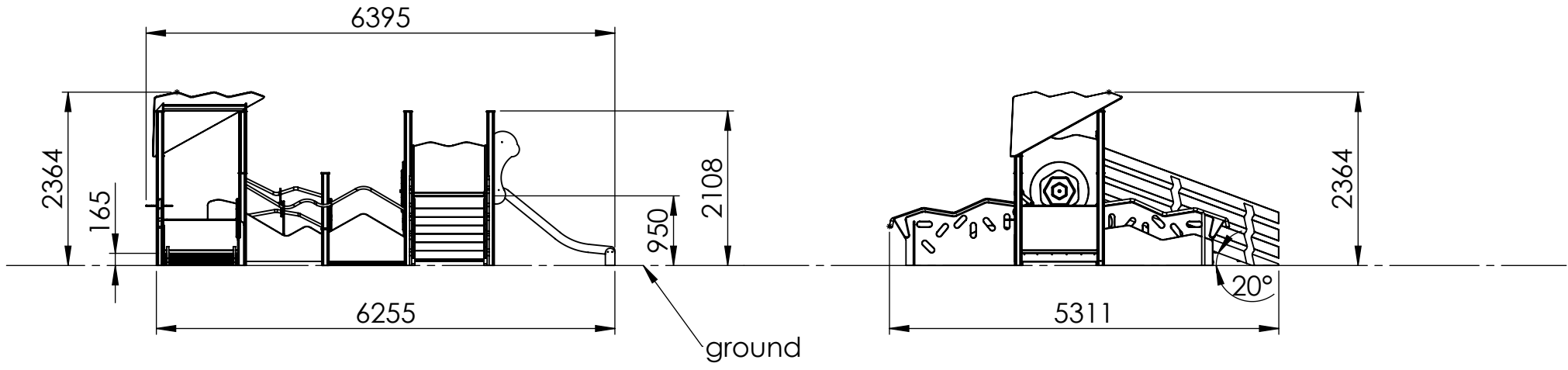
UNLESS OTHERWISE SPECIFIED: DIMENSIONS ARE IN MILLIMETERS WEIGHT ARE IN KILOGRAMM				
	NAME	SIGNATURE	DATE	REVISION
DRAWN	M.Rebase		07.05.2014	
APPV'D				


PART NUMBER / DWG NO.:	LM223
------------------------	-------

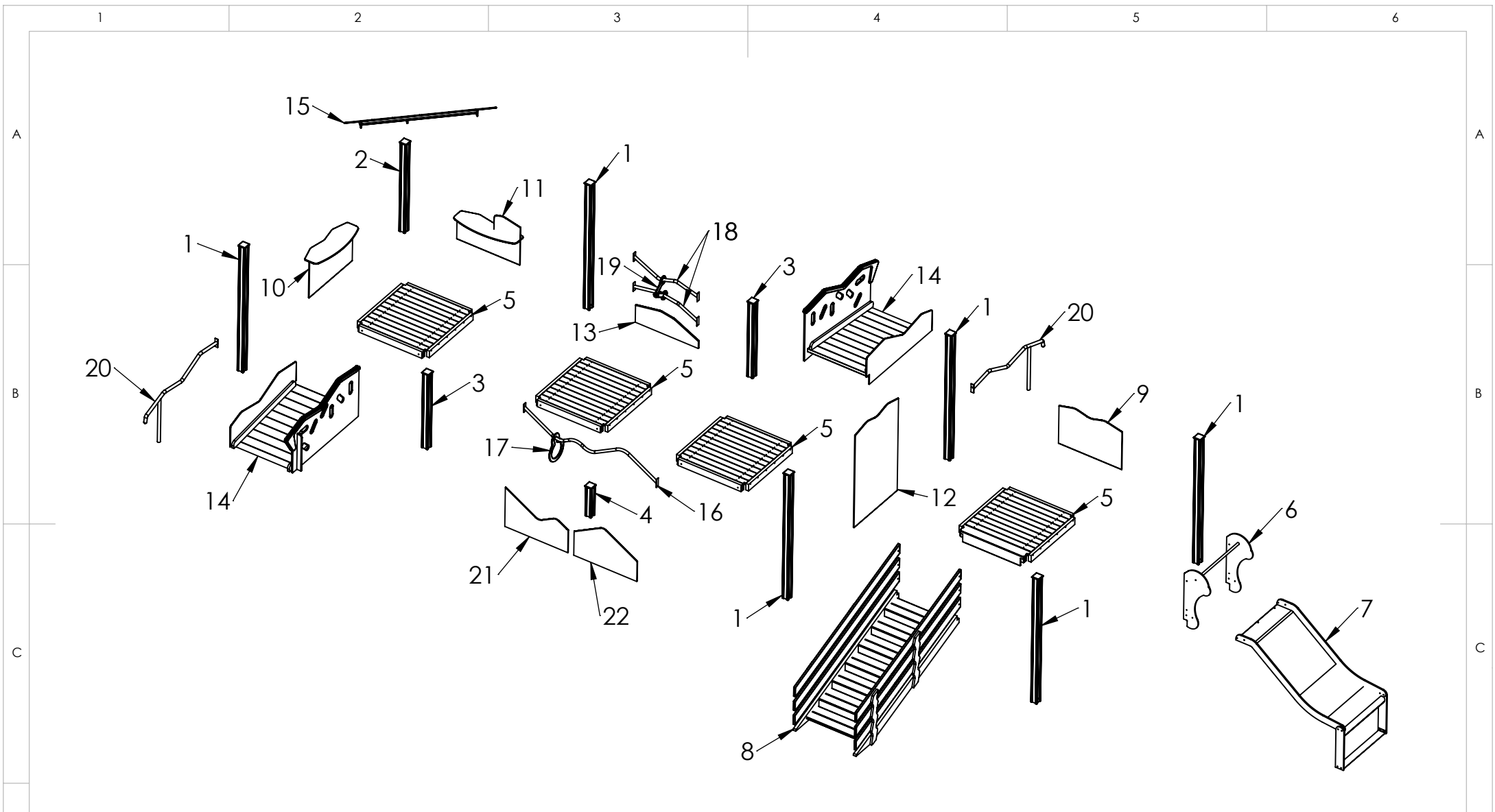
DESCRIPTION:	Play Centre THERESA
--------------	---------------------



**Tiptaptap** OÜ  
 Veetorni 9,  
 Jüri alevik, Rae vald,  
 75301 Harjumaa

MATERIAL:	wood, metal, plastic	A4
WEIGHT:	SCALE: 1:70	SHEET 4 OF 8



UNLESS OTHERWISE SPECIFIED: DIMENSIONS ARE IN MILLIMETERS WEIGHT ARE IN KILOGRAMM					PART NUMBER / DWG NO.: <b>LM223</b>	
	NAME	SIGNATURE	DATE	REVISION	DESCRIPTION: <b>Play Centre THERESA</b>	
DRAWN	M.Rebase		07.05.2014			
APPV'D						
 <b>Tiptaptap</b> OÜ Veetorni 9, Jüri alevik, Rae vald, 75301 Harjumaa					MATERIAL:	wood, metal, plastic
					WEIGHT:	SCALE: 1:80



UNLESS OTHERWISE SPECIFIED: DIMENSIONS ARE IN MILLIMETERS WEIGHT ARE IN KILOGRAMM					PART NUMBER / DWG NO.: <b>LM223</b>	
	NAME	SIGNATURE	DATE	REVISION	DESCRIPTION: <b>Play Centre THERESA</b>	
DRAWN	M.Rebase		07.05.2014		MATERIAL: wood, metal, plastic	
APPV'D					WEIGHT:	A4
 <b>Tiptaptap</b> OÜ Tiptaptap OÜ Veetorni 9, Jüri alevik, Rae vald, 75301 Harjumaa					SCALE: 1:70	SHEET 6 OF 8

ITEM NO.	PART NUMBER	DESCRIPTION	QTY.
1	post 98x98x2100	laminated wood	6
2	post 98x98x1490	laminated wood	1
3	post 98x98x1260	laminated wood	2
4	post 98x98x500	laminated wood	1
5	Platform	laminated wood, metal	4
6	slide guard block	plywood, metal, plastic	1
7	slide h.950 x 1000	stainless steel, PE plastic	1
8	Stair h.900x1000	laminated wood	1
9	Panel 1030x700	plywood	1
10	Panel 1030x700 with tabe 1	plywood	1
11	Panel 1030x700 with table 2	plywood	1
12	Panel 1030x1620	plywood	1
13	panel 1030x360	plywood	1
14	ramp	wood, plywood, plastic	2
15	roof	plywood	1
16	tube d.40x2176	painted steel	1
17	motor skills game A	PE plastic	1
18	tube d.40x1048	painted steel	1
19	motor skills game B	PE plastic	2
20	handrail	painted steel	2
21	panel 1030x660	plywood	1
22	panel 1030x650	plywood	1

UNLESS OTHERWISE SPECIFIED:  
DIMENSIONS ARE IN MILLIMETERS  
WEIGHT ARE IN KILOGRAMM

PART NUMBER / DWG NO.:

LM223

	NAME	SIGNATURE	DATE	REVISION
DRAWN	M.Rebase		07.05.2014	
APPV'D				

DESCRIPTION:

Play Centre THERESA

MATERIAL:

wood, metal, plastic

A4

WEIGHT:

SCALE: 1:70

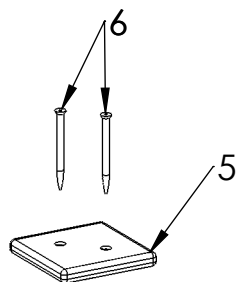
SHEET 7 OF 8



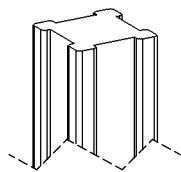
**Tiptiptap** OÜ

Tiptiptap OÜ  
Veetorni 9,  
Jüri alevik, Rae vald,  
75301 Harjumaa

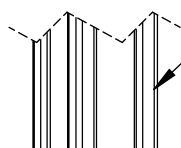
A



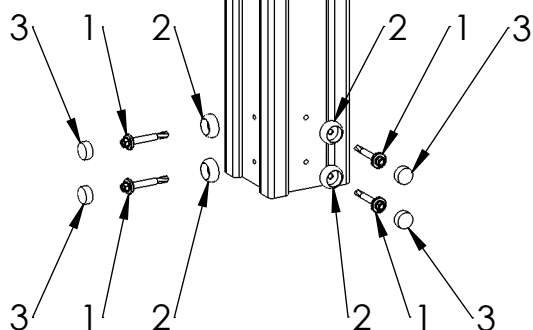
B



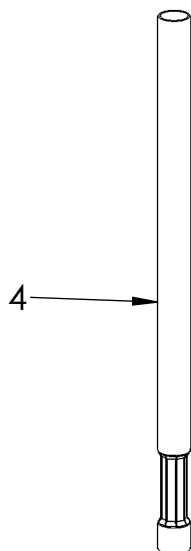
post



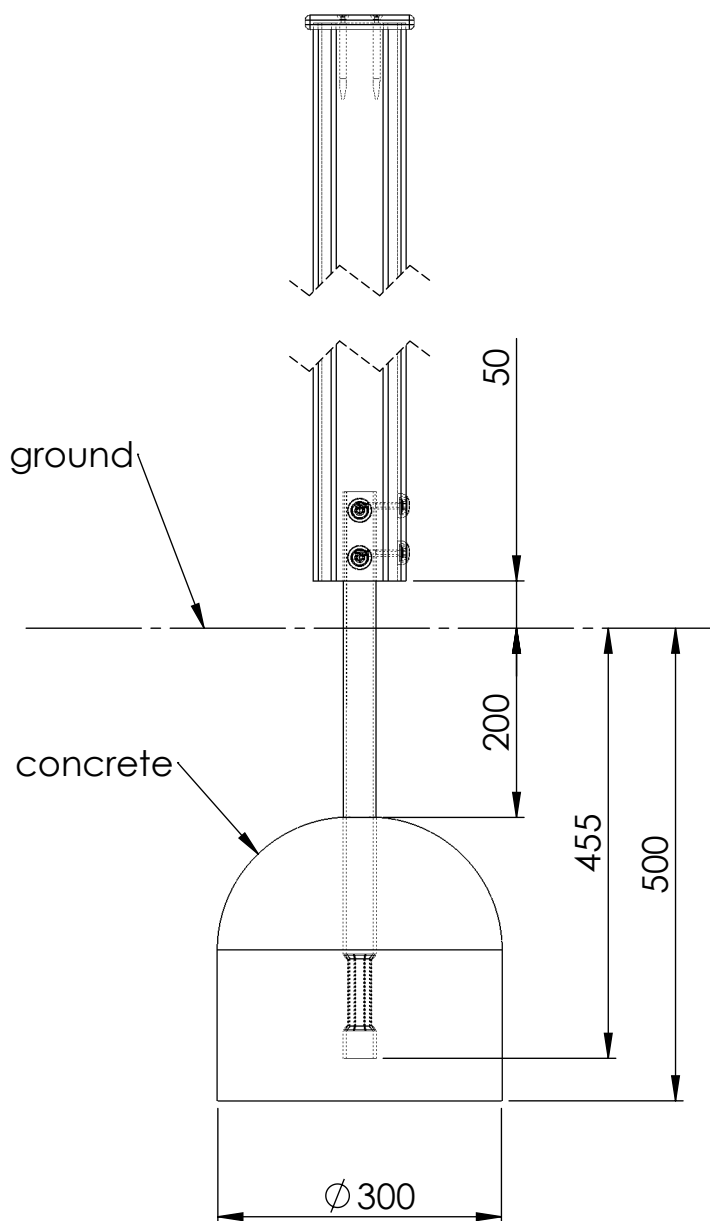
C



D



E



F

UNLESS OTHERWISE SPECIFIED:  
DIMENSIONS ARE IN MILLIMETERS  
WEIGHT ARE IN KILOGRAMM

	NAME	SIGNATURE	DATE	REVISION
DRAWN	M.Rebase		07.05.2014	
APPV'D				



**Tiptaptap** OÜ

Tiptaptap OÜ  
Veetorni 9,  
Jüri alevik, Rae vald,  
75301 Harjumaa

ITEM NO.	PART NUMBER
1	screw DIN7504K 5,5x50
2	nut cover M6
3	nut cover cap M6
4	metal ground fixing L_600
5	plastic cap 115x115
6	woodscrew 6 x 90

PART NUMBER / DWG NO.:

LM223

DESCRIPTION:

Play Centre THERESA  
connecting metal ground fixing to post

MATERIAL:

wood, metal, plastic

A4

WEIGHT:

SCALE: 1:8

SHEET 8 OF 8