

UNLESS OTHERWISE SPECIFIED:  
DIMENSIONS ARE IN MILLIMETERS  
WEIGHT ARE IN KILOGRAMM

PART NUMBER / DWG NO.:

LM222

	NAME	SIGNATURE	DATE	REVISION
DRAWN	M.Rebase		29.05.2015	
APPV'D				

DESCRIPTION:

Play Centre ISABEL



**Tiptaptap** OÜ

Tiptaptap OÜ  
Veetorni 9,  
Jüri alevik, Rae vald,  
75301 Harjumaa

MATERIAL:

wood, metal, plastic

A4

WEIGHT:

SCALE: 1:40

SHEET 1 OF 18

A

B

C

D

E

F



UNLESS OTHERWISE SPECIFIED:  
 DIMENSIONS ARE IN MILLIMETERS  
 WEIGHT ARE IN KILOGRAMM

PART NUMBER / DWG NO.:

LM222

	NAME	SIGNATURE	DATE	REVISION
DRAWN	M.Rebase		29.05.2015	
APPV'D				

DESCRIPTION:

Play Centre ISABEL



**Tiptaptap** OÜ

Tiptaptap OÜ  
 Veetorni 9,  
 Jüri alevik, Rae vald,  
 75301 Harjumaa

MATERIAL:

wood, metal, plastic

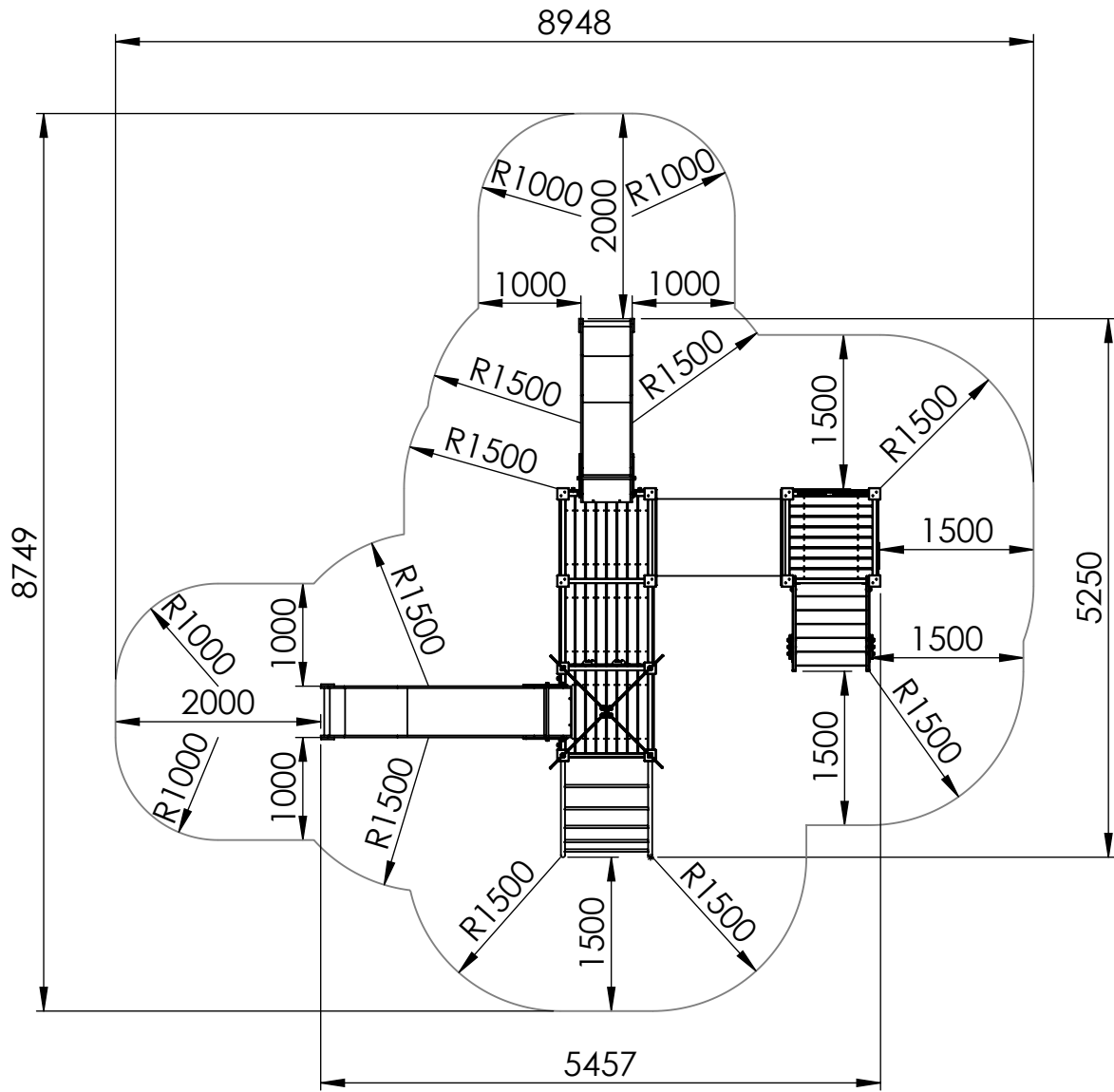
A4

WEIGHT:

SCALE: 1:40

SHEET 2 OF 18

# safety area



UNLESS OTHERWISE SPECIFIED:  
DIMENSIONS ARE IN MILLIMETERS  
WEIGHT ARE IN KILOGRAMM

PART NUMBER / DWG NO.:

LM222

	NAME	SIGNATURE	DATE	REVISION
DRAWN	M.Rebase		29.05.2015	
APPV'D				

DESCRIPTION:

Play Centre ISABEL



**Tiptaptap** OÜ

Tiptaptap OÜ  
Veetorni 9,  
Jüri alevik, Rae vald,  
75301 Harjumaa

MATERIAL:

wood, metal, plastic

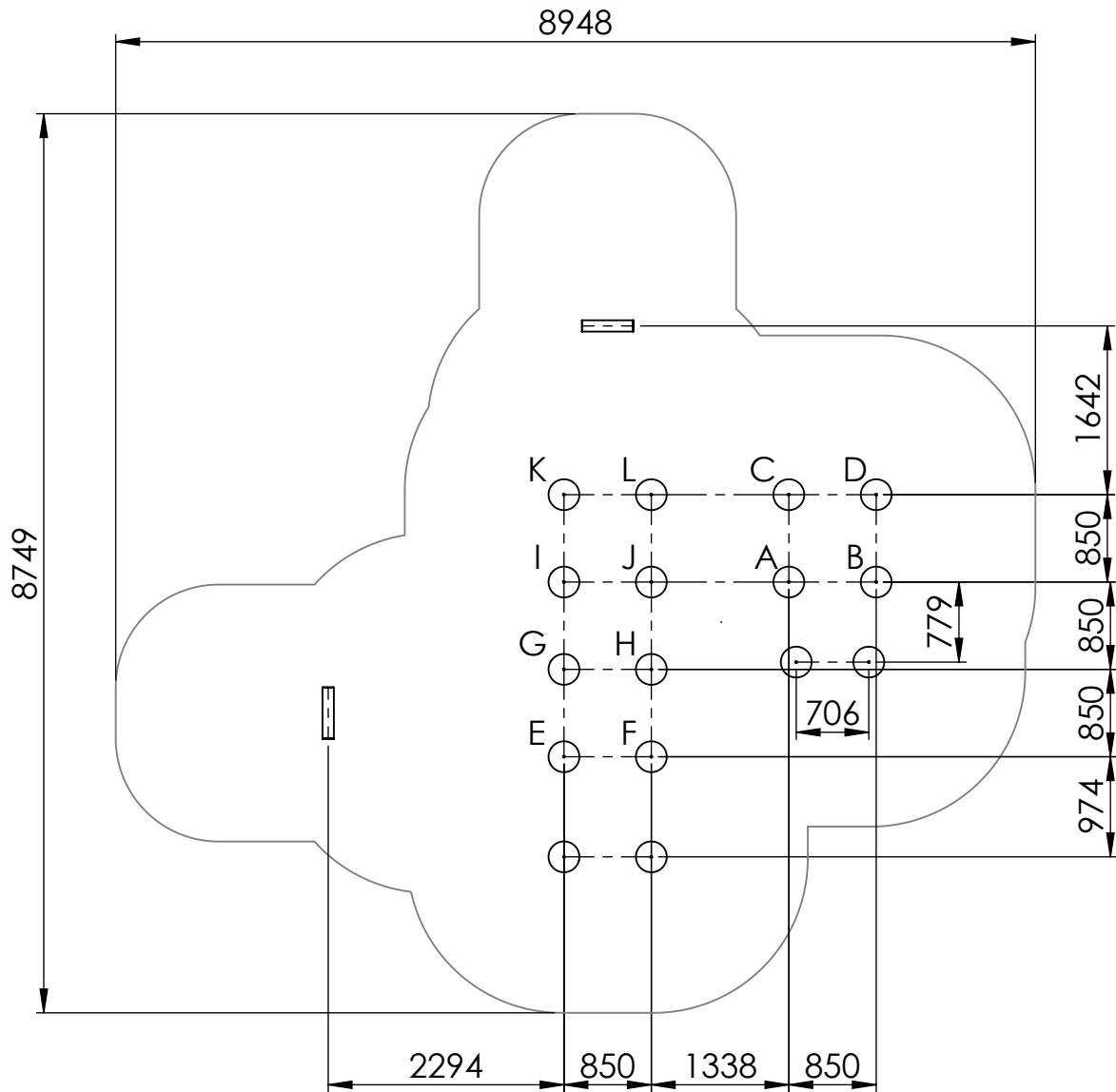
A4

WEIGHT:

SCALE: 1:70

SHEET 3 OF 18

# foundation



depth of foundation 500mm

UNLESS OTHERWISE SPECIFIED:  
DIMENSIONS ARE IN MILLIMETERS  
WEIGHT ARE IN KILOGRAMM

PART NUMBER / DWG NO.:

LM222

	NAME	SIGNATURE	DATE	REVISION
DRAWN	M.Rebase		29.05.2015	
APPV'D				

DESCRIPTION:

Play Centre ISABEL



**Tiptaptap** OÜ

Tiptaptap OÜ  
Veetorni 9,  
Jüri alevik, Rae vald,  
75301 Harjumaa

MATERIAL:

wood, metal, plastic

A4

WEIGHT:

SCALE: 1:70

SHEET 4 OF 18

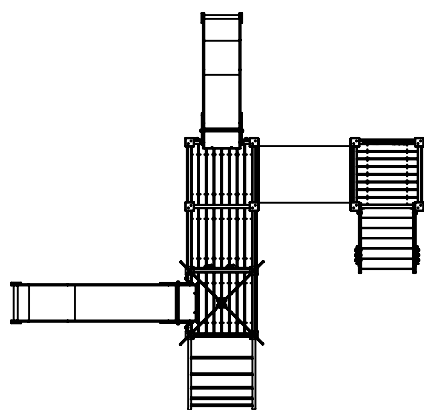
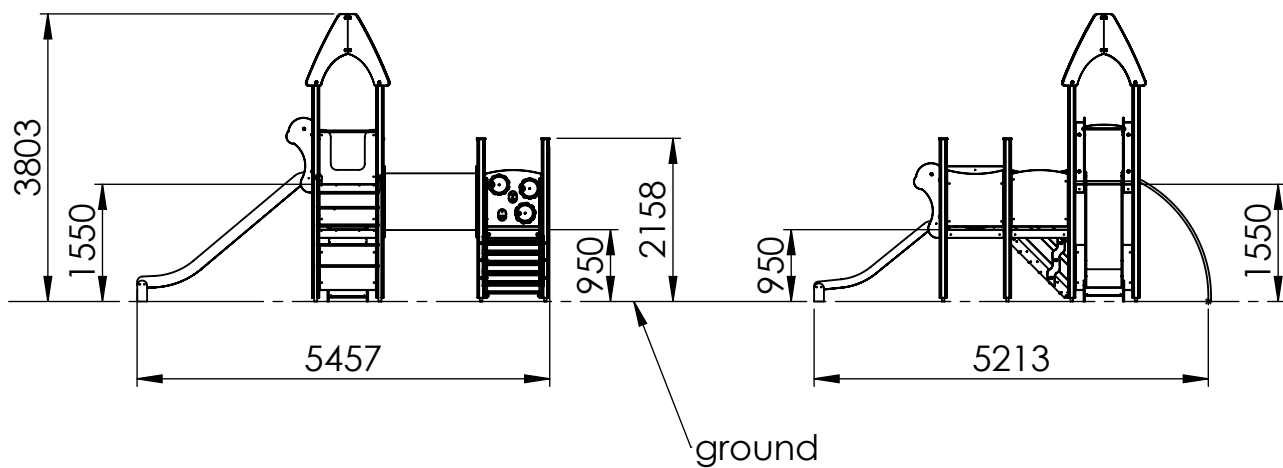
A

B

C

D

E



UNLESS OTHERWISE SPECIFIED:  
DIMENSIONS ARE IN MILLIMETERS  
WEIGHT ARE IN KILOGRAMM

PART NUMBER / DWG NO.:

LM222

	NAME	SIGNATURE	DATE	REVISION
DRAWN	M.Rebase		29.05.2015	
APPV'D				

DESCRIPTION:

Play Centre ISABEL

F



**Tiptaptap** OÜ

Tiptaptap OÜ  
Veetorni 9,  
Jüri alevik, Rae vald,  
75301 Harjumaa

MATERIAL:

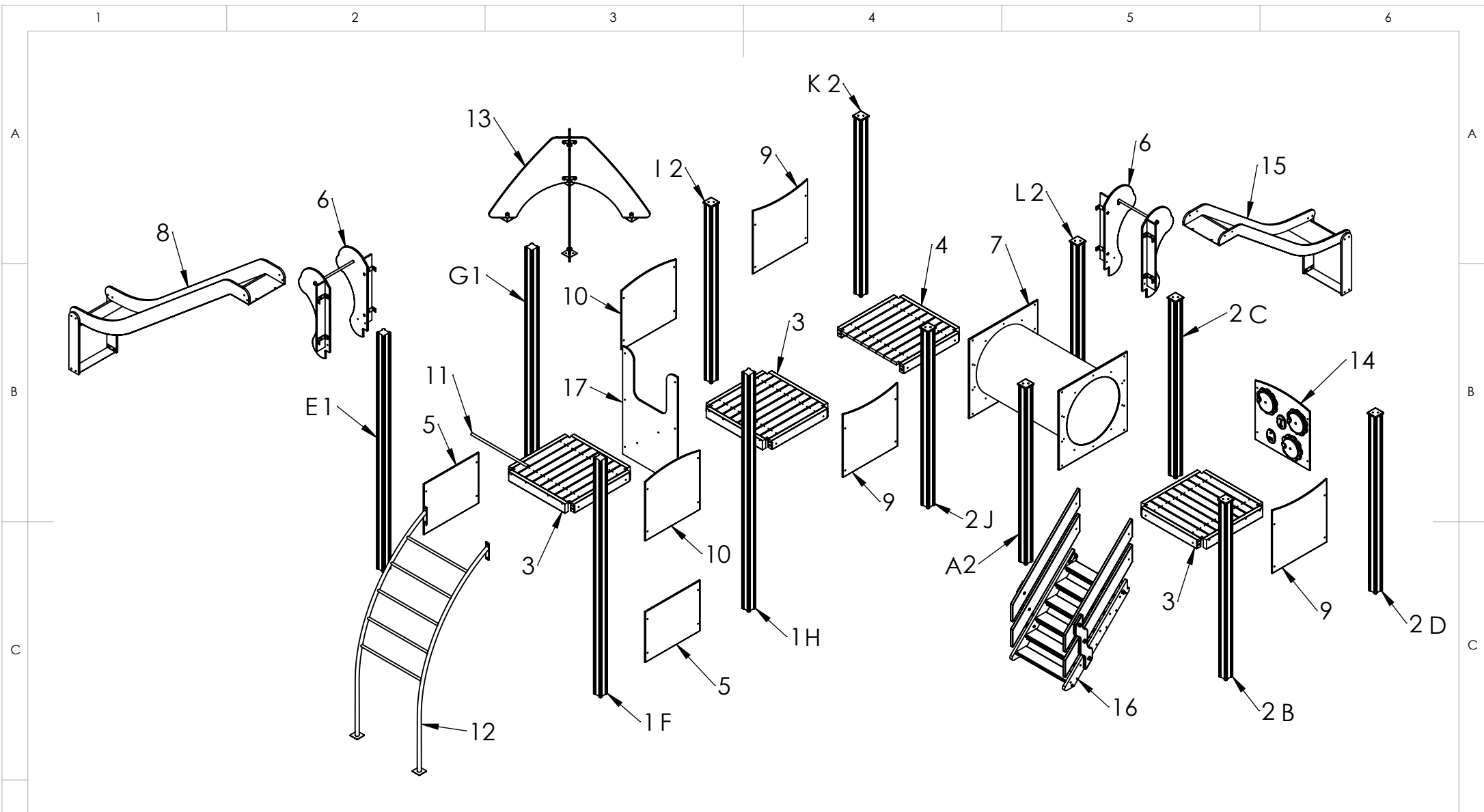
wood, metal, plastic

A4

WEIGHT:

SCALE: 1:100

SHEET 5 OF 18



UNLESS OTHERWISE SPECIFIED:  
 DIMENSIONS ARE IN MILLIMETERS  
 WEIGHT ARE IN KILOGRAMM

PART NUMBER / DWG NO.:  
**LM222**

	NAME	SIGNATURE	DATE	REVISION
DRAWN	M.Rebase		29.05.2015	
APPV'D				

DESCRIPTION:  
**Play Centre ISABEL**




**Tiptaptap** OÜ  
 Tiptaptap OÜ  
 Veetorni 9,  
 Jüri alevik, Rae vald,  
 75301 Harjumaa

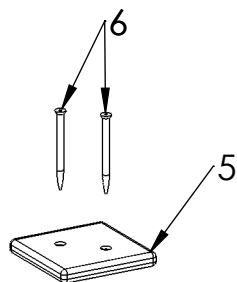
MATERIAL:	wood, metal, plastic	A4
WEIGHT:	SCALE: 1:50	SHEET 6 OF 18

ITEM NO.	PART NUMBER	DESCRIPTION	QTY.	
A	1	post 98x98x2800	laminated wood	4
	2	post 98x98x2100	laminated wood	8
	3	platform	laminated wood, metal	3
	4	platform without side board	laminated wood, metal	1
	5	panel 750x600	plywood	3
B	6	slide guard block	plywood, metal, plastic	2
	7	tube with fixing panels, d.745	PE plastic	1
	8	slide h_1550	stainless steel, PE plastic	1
	9	panel 750x750	plywood	3
	10	panel 750x750	plywood	2
	11	guardrail Ø25x770	painted steel	1
C	12	arch ladder	galvanized painted steel	1
	13	roof	plywood	1
	14	calculation panel	plywood, PE plastic	1
	15	slide h_950	stainless steel, PE plastic	1
	16	stairs	laminated wood	1
	17	panel 750x1280	15 mm plywood	1

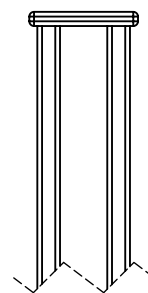
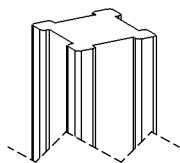


UNLESS OTHERWISE SPECIFIED: DIMENSIONS ARE IN MILLIMETERS WEIGHT ARE IN KILOGRAMM				PART NUMBER / DWG NO.:	
				LM222	
	NAME	SIGNATURE	DATE	REVISION	
DRAWN	M.Rebase		29.05.2015		
APPV'D					
 <b>Tiptaptap</b> OÜ Veetorni 9, Jüri alevik, Rae vald, 75301 Harjumaa				DESCRIPTION:	
				Play Centre ISABEL	
				MATERIAL:	wood, metal, plastic
WEIGHT:				SCALE: 1:50	SHEET 7 OF 18

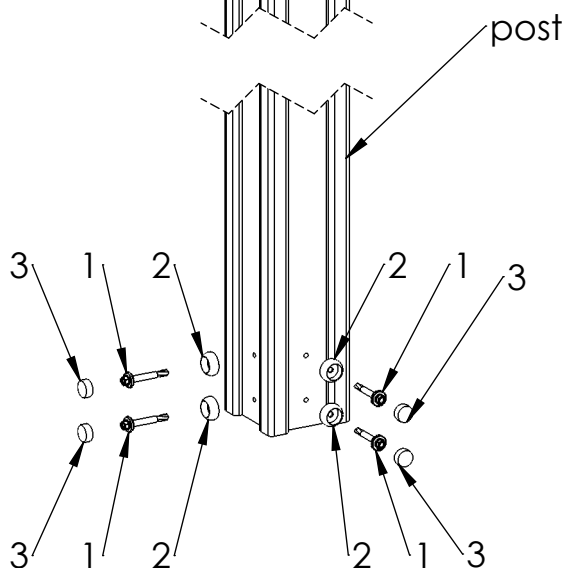
A



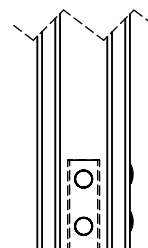
B



C



ground



50

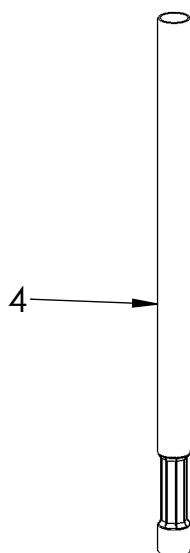
concrete

200

455

500

D


 $\varnothing 300$ 

E

ITEM NO.	PART NUMBER
1	screw DIN7504K 5,5x50
2	nut cover M6
3	nut cover cap M6
4	metal ground fixing L_600
5	plastic cap 115x115
6	woodscrew 6 x 90

UNLESS OTHERWISE SPECIFIED:  
DIMENSIONS ARE IN MILLIMETERS  
WEIGHT ARE IN KILOGRAMM

PART NUMBER / DWG NO.:

LM222

	NAME	SIGNATURE	DATE	REVISION
DRAWN	M.Rebase		29.05.2015	
APPV'D				

DESCRIPTION:

Play Centre ISABEL  
connecting metal ground fixing to post

F



**Tiptaptap** OÜ

Tiptaptap OÜ  
Veetorni 9,  
Jüri alevik, Rae vald,  
75301 Harjumaa

MATERIAL:

wood, metal, plastic

A4

WEIGHT:

SCALE: 1:8

SHEET 8 OF 18

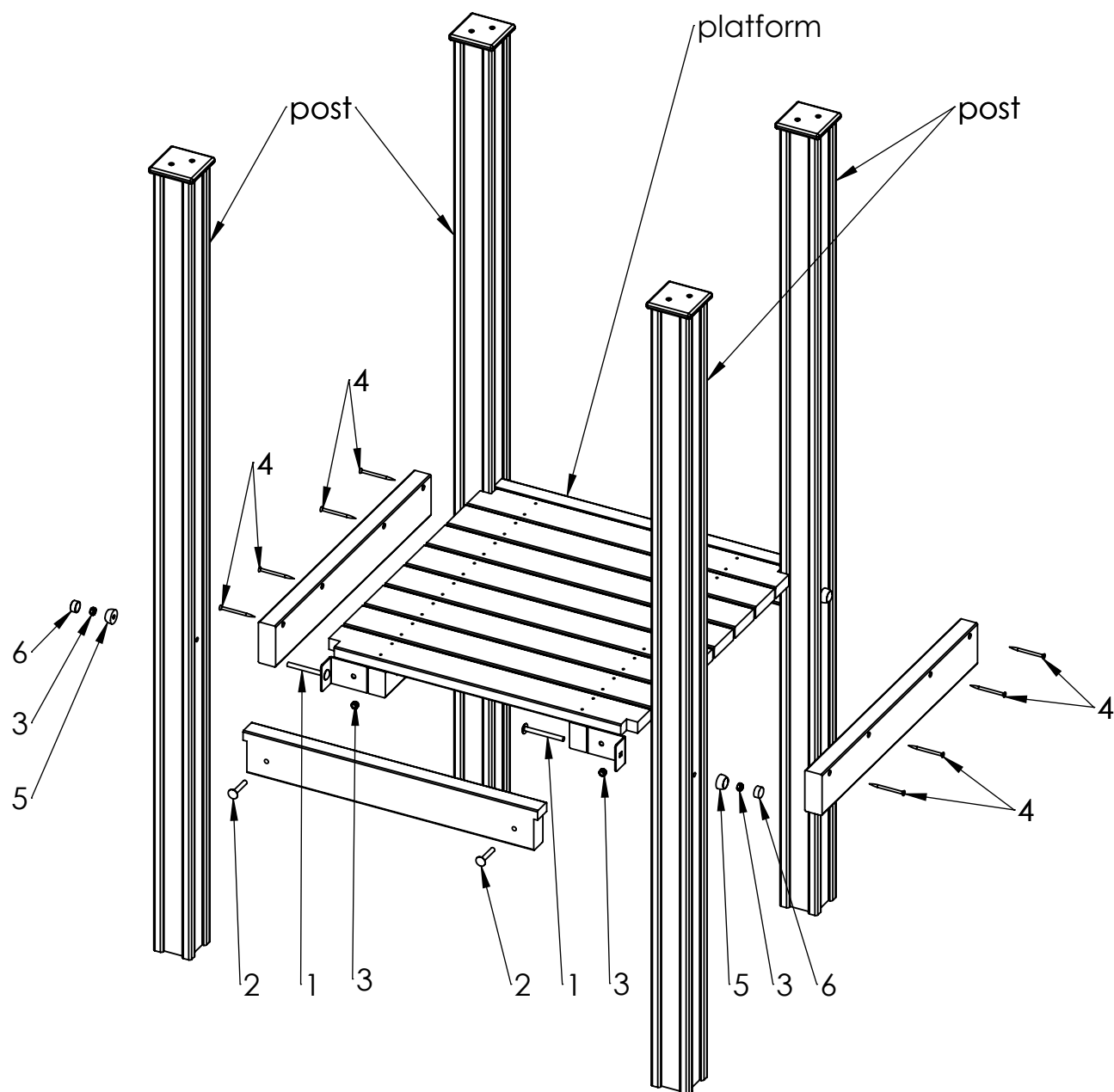


A

B

C

D



E

ITEM NO.	PART NUMBER
1	bolt DIN603 M10x100
2	bolt DIN603 M10x60
3	nut DIN985 M10
4	woodscrew 6 x 90
5	nut cover M10
6	nut cover cap M10

F

UNLESS OTHERWISE SPECIFIED:  
DIMENSIONS ARE IN MILLIMETERS  
WEIGHT ARE IN KILOGRAMM

	NAME	SIGNATURE	DATE	REVISION
DRAWN	M.Rebase		29.05.2015	
APPV'D				

PART NUMBER / DWG NO.:

LM222

DESCRIPTION:

Play Centre ISABEL  
connecting platform to post

MATERIAL:

wood, metal, plastic

A4

WEIGHT:

SCALE: 1:15

SHEET 9 OF 18



**Tiptiptap** OÜ

Tiptiptap OÜ  
Veetorni 9,  
Jüri alevik, Rae vald,  
75301 Harjumaa

A

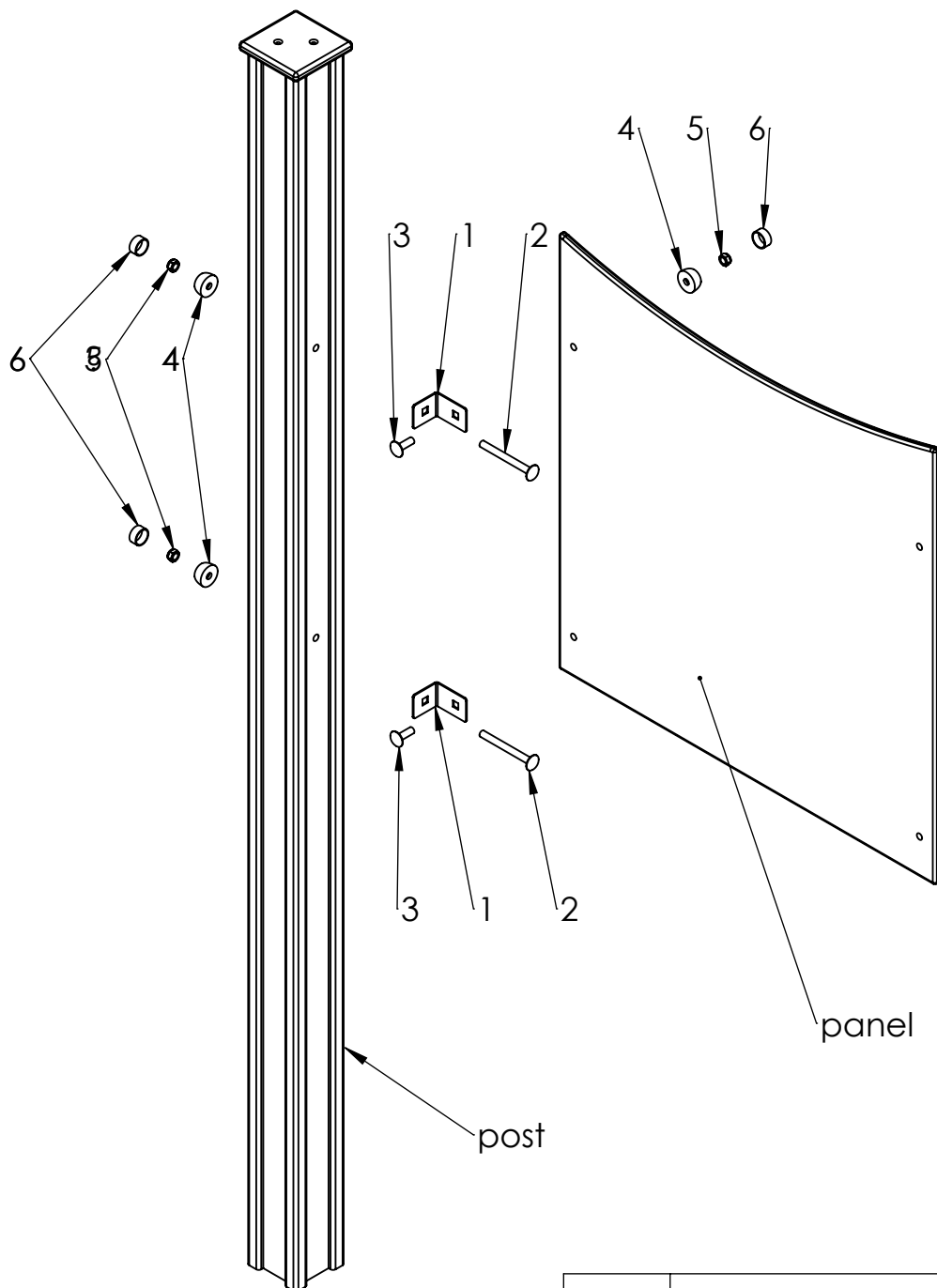
B

C

D

E

F



ITEM NO.	PART NUMBER
1	corner 48x60
2	bolt DIN603 M10x100
3	bolt DIN603 M10x30
4	nut cover M10
5	nut DIN985 M10
6	nut cover cap M10

UNLESS OTHERWISE SPECIFIED:  
DIMENSIONS ARE IN MILLIMETERS  
WEIGHT ARE IN KILOGRAMM

PART NUMBER / DWG NO.:

LM222

	NAME	SIGNATURE	DATE	REVISION
DRAWN	M.Rebase		29.05.2015	
APPV'D				

DESCRIPTION:

Play Centre ISABEL  
connecting panel to post

MATERIAL:

wood, metal, plastic

A4

WEIGHT:

SCALE: 1:10

SHEET 10 OF 18



**Tiptap** OÜ

Tiptap OÜ  
Veetorni 9,  
Jüri alevik, Rae vald,  
75301 Harjumaa

A

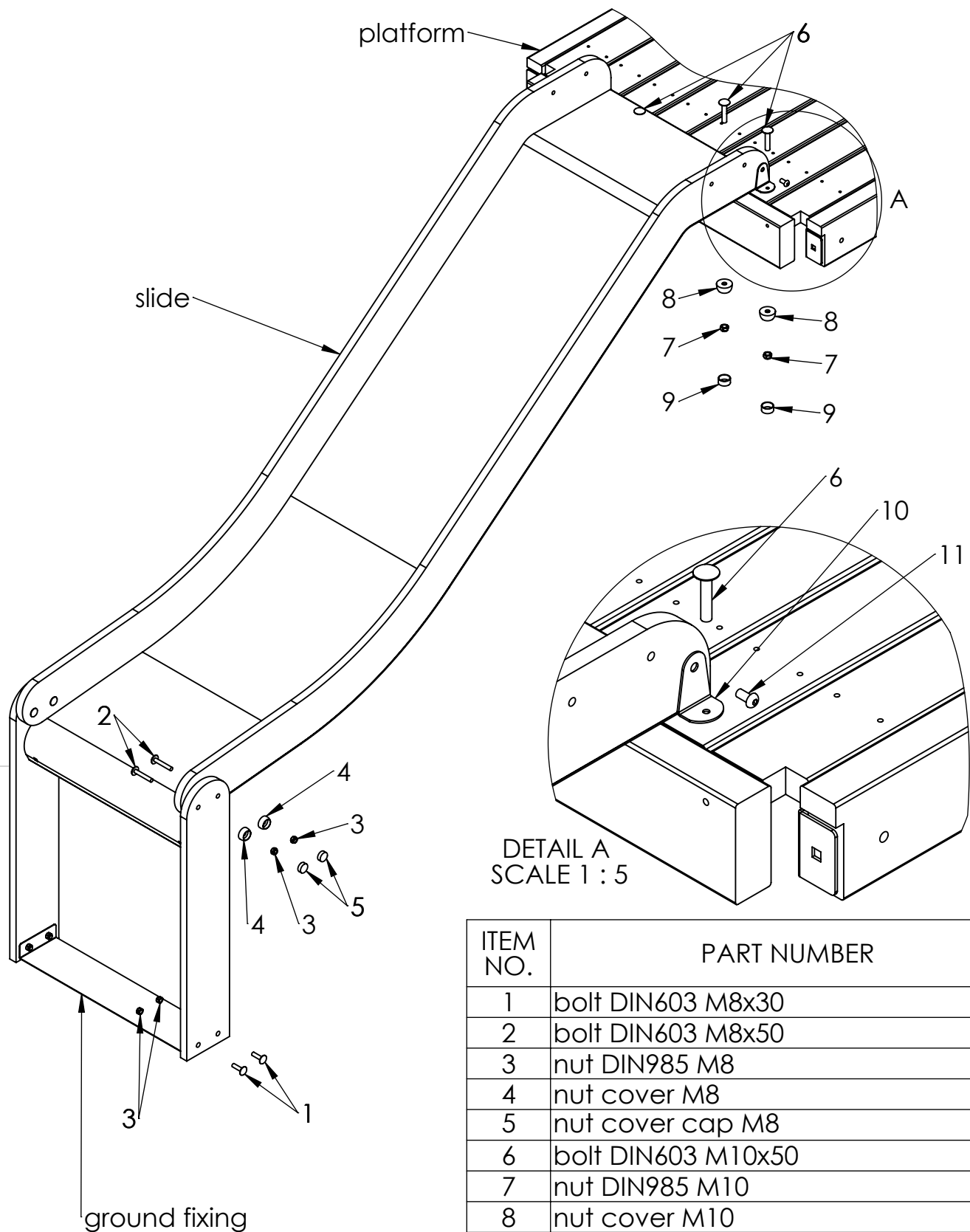
B

C

D

E

F



DETAIL A  
SCALE 1 : 5

ITEM NO.	PART NUMBER
1	bolt DIN603 M8x30
2	bolt DIN603 M8x50
3	nut DIN985 M8
4	nut cover M8
5	nut cover cap M8
6	bolt DIN603 M10x50
7	nut DIN985 M10
8	nut cover M10
9	nut cover cap M10
10	corner 58x30
11	metal screw DIN 7380 M8x16

UNLESS OTHERWISE SPECIFIED:  
DIMENSIONS ARE IN MILLIMETERS  
WEIGHT ARE IN KILOGRAMM

	NAME	SIGNATURE	DATE	REVISION
DRAWN	M.Rebase		29.05.2015	
APPV'D				

PART NUMBER / DWG NO.:

LM222

DESCRIPTION:

Play Centre ISABEL  
connecting slide to platform

MATERIAL:

wood, metal, plastic

A4

WEIGHT:

SCALE: 1:12

SHEET 11 OF 18



**Tiptaptap** OÜ

Tiptaptap OÜ  
Veetorni 9,  
Jüri alevik, Rae vald,  
75301 Harjumaa

A

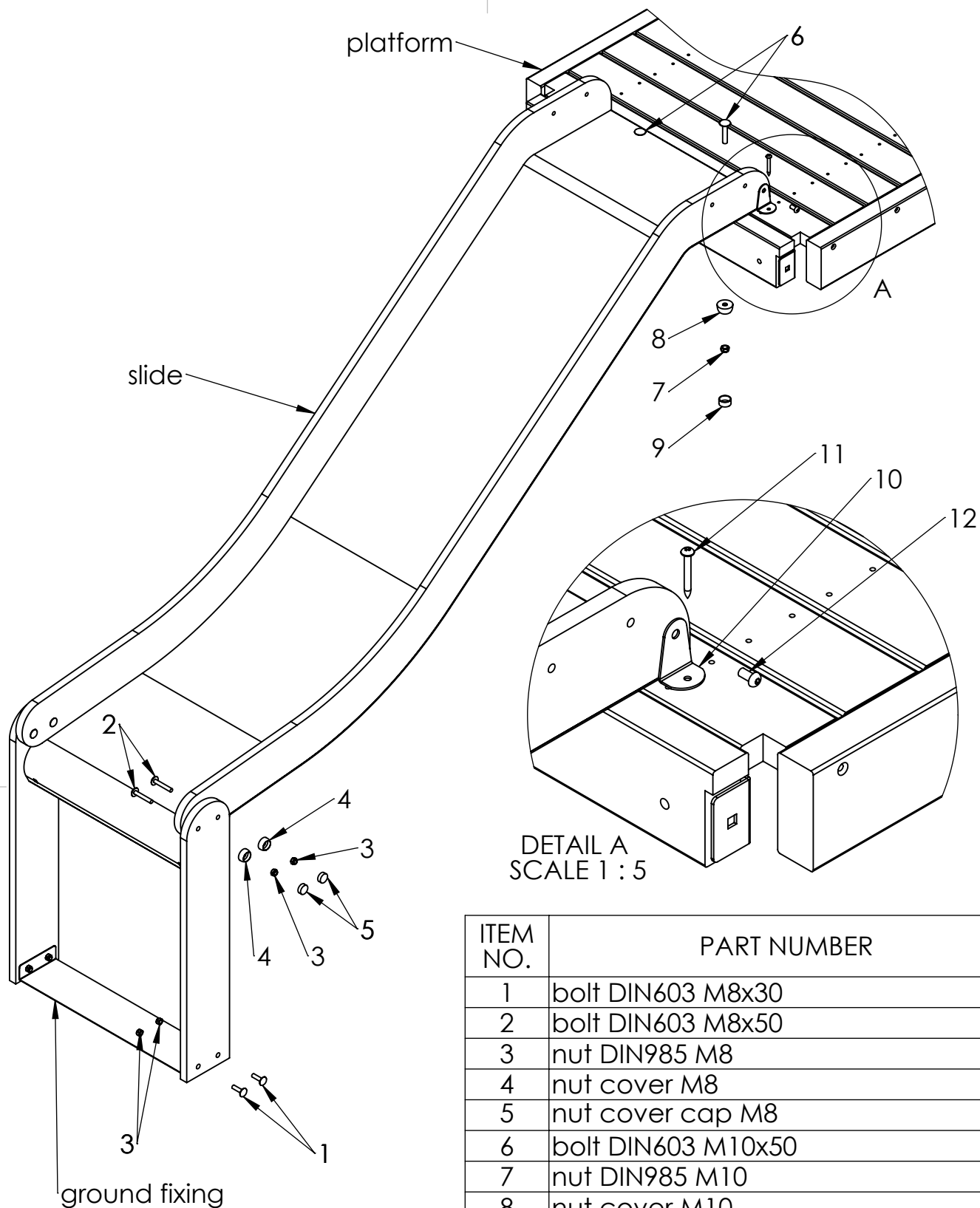
B

C

D

E

F



DETAIL A  
SCALE 1 : 5

ITEM NO.	PART NUMBER
1	bolt DIN603 M8x30
2	bolt DIN603 M8x50
3	nut DIN985 M8
4	nut cover M8
5	nut cover cap M8
6	bolt DIN603 M10x50
7	nut DIN985 M10
8	nut cover M10
9	nut cover cap M10
10	corner 58x30
11	screw DIN 7996 d.6x50
12	metal screw DIN 7380 M8x16

UNLESS OTHERWISE SPECIFIED:  
DIMENSIONS ARE IN MILLIMETERS  
WEIGHT ARE IN KILOGRAMM

	NAME	SIGNATURE	DATE	REVISION
DRAWN	M.Rebase		29.05.2015	
APPV'D				

PART NUMBER / DWG NO.:

LM222

DESCRIPTION:

Play Centre ISABEL  
connecting slide to platform

MATERIAL:

wood, metal, plastic

A4

WEIGHT:

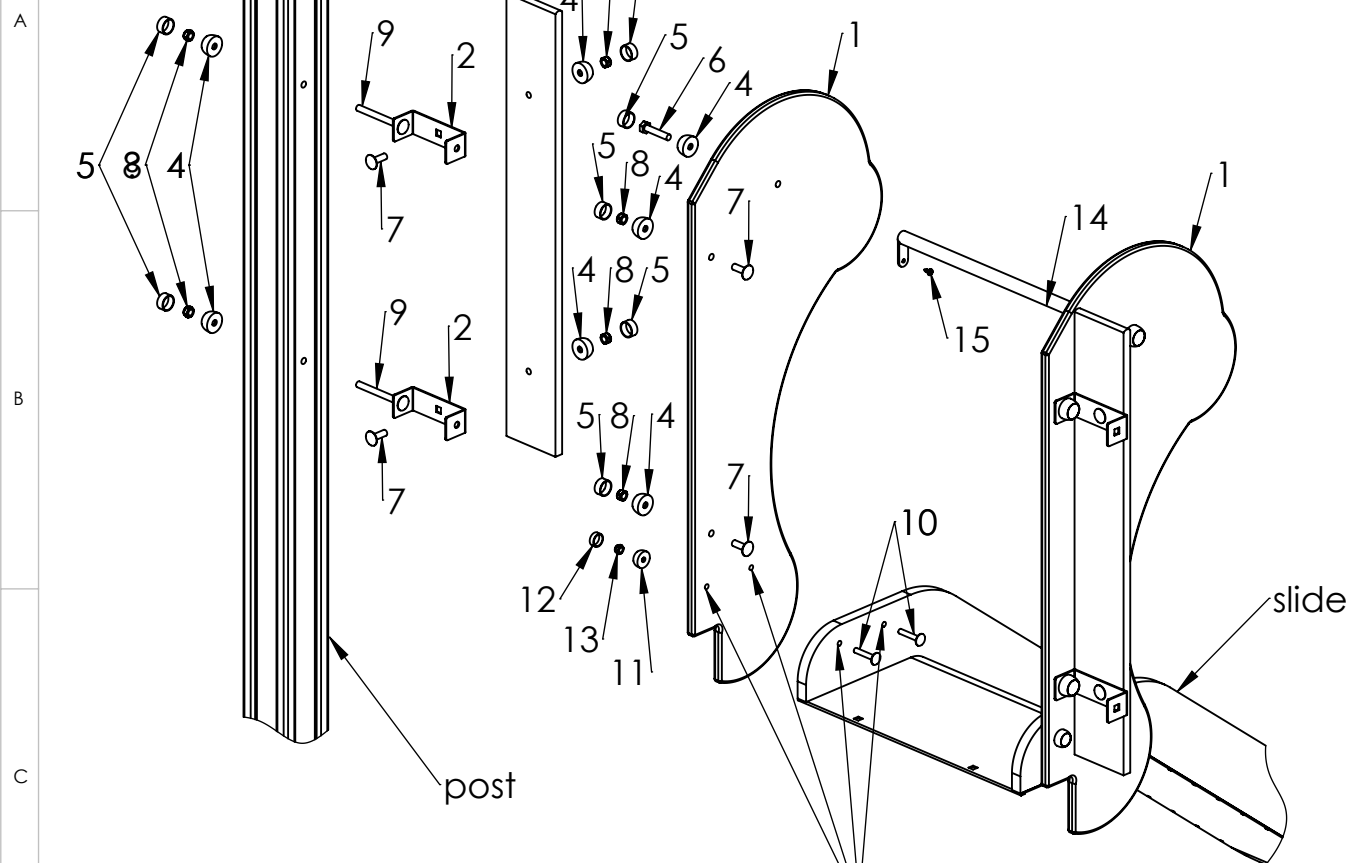
SCALE: 1:12

SHEET 12 OF 18



**Tiptaptap** OÜ

Tiptaptap OÜ  
Veetorni 9,  
Jüri alevik, Rae vald,  
75301 Harjumaa



It is important to drill 8,5mm holes through side panel and slide.

ITEM NO.	PART NUMBER
1	slide side panel
2	slide side panel fixing 40x120
3	side panel 110x780
4	nut cover M10
5	nut cover cap M10
6	bolt DIN931 M10x50
7	bolt DIN603 M10x30
8	nut DIN985 M10
9	bolt DIN603 M10x100
10	bolt DIN603 M8x45
11	nut cover M8
12	nut cover cap M8
13	nut DIN985 M8
14	slide guardrail
15	wood screw 4,8x13

UNLESS OTHERWISE SPECIFIED:  
DIMENSIONS ARE IN MILLIMETERS  
WEIGHT ARE IN KILOGRAMM

PART NUMBER / DWG NO.:

LM222

	NAME	SIGNATURE	DATE	REVISION
DRAWN	M.Rebase		29.05.2015	
APPV'D				

DESCRIPTION:

Play Centre ISABEL  
connecting slide guard block to post

MATERIAL:

wood, metal, plastic

A4

WEIGHT:

SCALE: 1:12

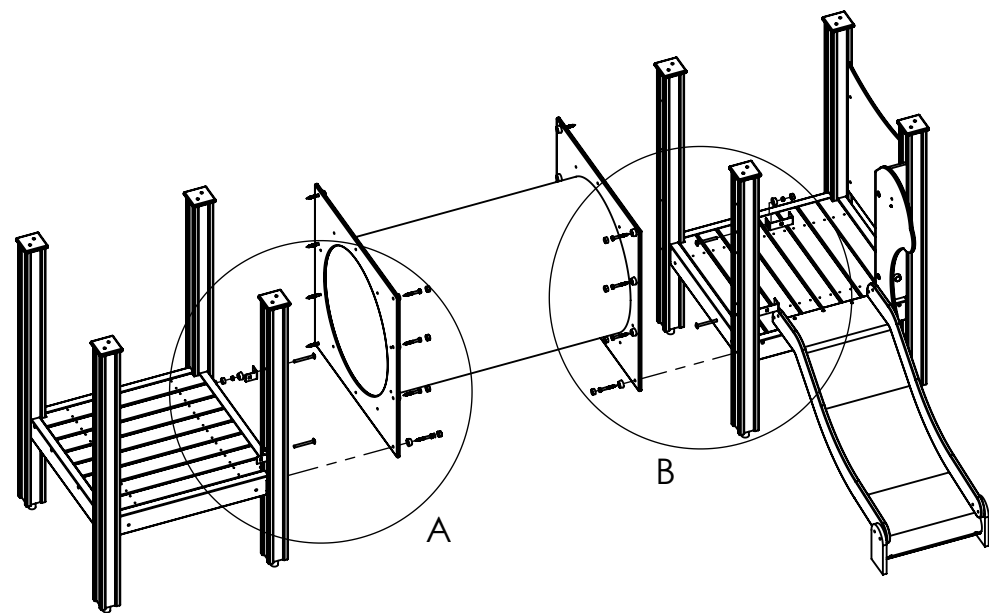
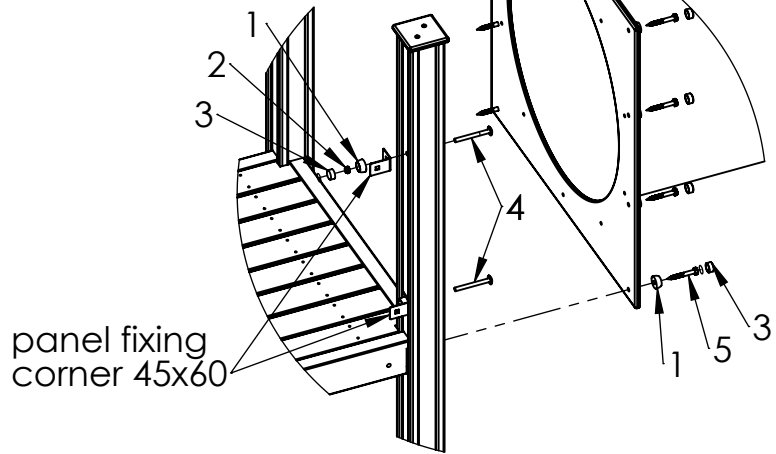
SHEET 13 OF 18



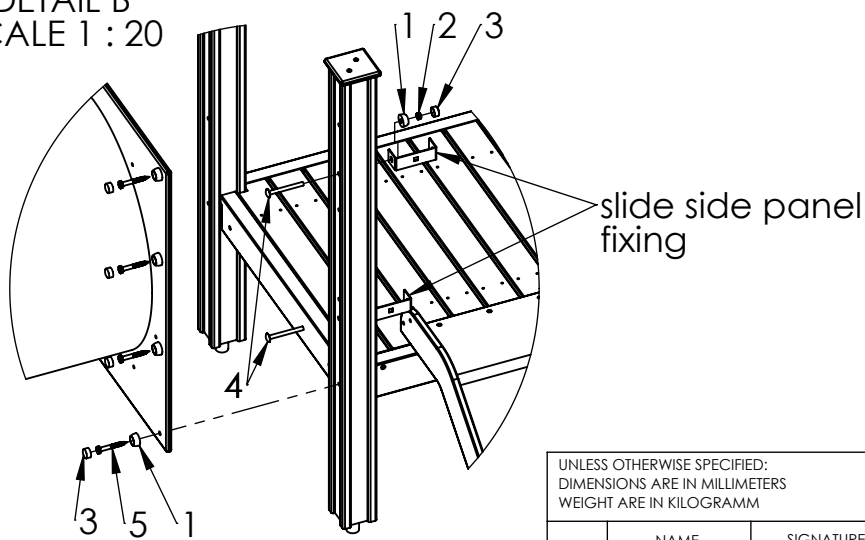
**Tiptaptap** OÜ

Tiptaptap OÜ  
Veetorni 9,  
Jüri alevik, Rae vald,  
75301 Harjumaa

DETAIL A  
SCALE 1 : 20



DETAIL B  
SCALE 1 : 20



ITEM NO.	PART NUMBER
1	nut cover M10
2	nut DIN985 M10
3	nut cover cap M10
4	bolt DIN603 M10x100
5	wood screw DIN571 10x80

UNLESS OTHERWISE SPECIFIED:  
DIMENSIONS ARE IN MILLIMETERS  
WEIGHT ARE IN KILOGRAMM

	NAME	SIGNATURE	DATE	REVISION
DRAWN	M.Rebase		29.05.2015	
APPV'D				

PART NUMBER / DWG NO.:  
**LM222**

DESCRIPTION:  
**Play Centre ISABEL  
connecting tube to post**



**Tiptaptap** OÜ  
Tiptaptap OÜ  
Veetorni 9,  
Jüri alevik, Rae vald,  
75301 Harjumaa

MATERIAL:  
wood, metal, plastic

WEIGHT: SCALE: 1:35 SHEET 14 OF 18

A  
B  
C  
D

1 2 3 4 5 6

A  
B  
C  
D

A

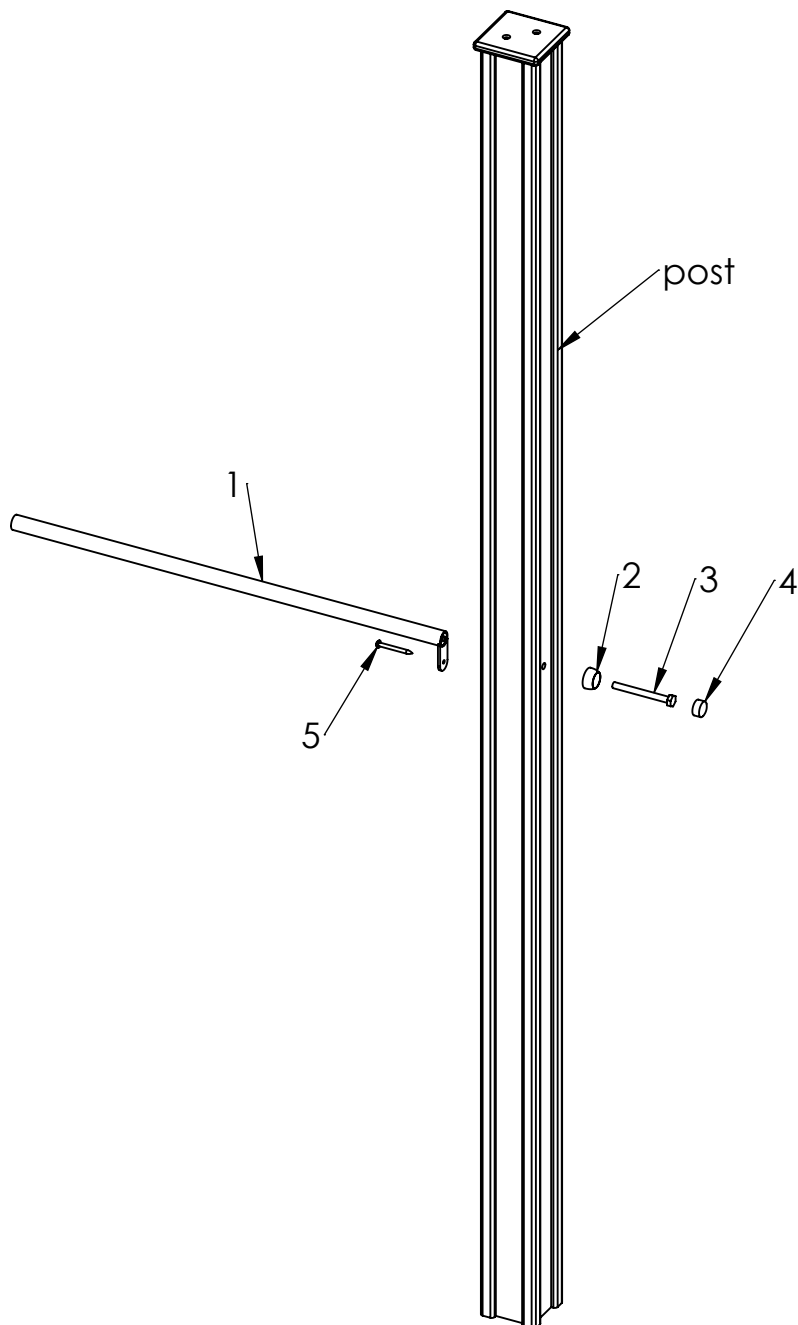
B

C

D

E

F



ITEM NO.	PART NUMBER
1	guardrail $\phi$ 25x770
2	nut cover M10
3	bolt DIN931 M10x100
4	nut cover cap M10
5	screw DIN7996 6x60

UNLESS OTHERWISE SPECIFIED:  
DIMENSIONS ARE IN MILLIMETERS  
WEIGHT ARE IN KILOGRAMM

	NAME	SIGNATURE	DATE	REVISION
DRAWN	M.Rebase		29.05.2015	
APPV'D				

PART NUMBER / DWG NO.:

LM222  
connecting guardrail to post

DESCRIPTION:

Play Centre ISABEL

MATERIAL:

wood, metal, plastic

A4

WEIGHT:

SCALE: 1:12

SHEET 15 OF 18

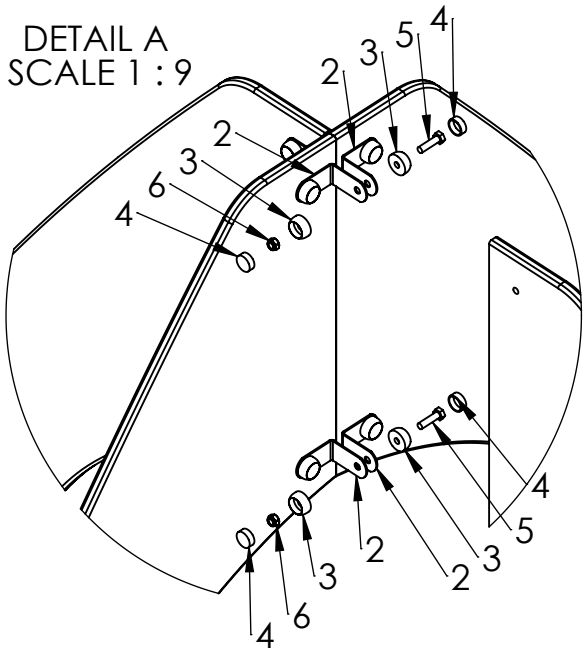


**Tiptaptap** OÜ

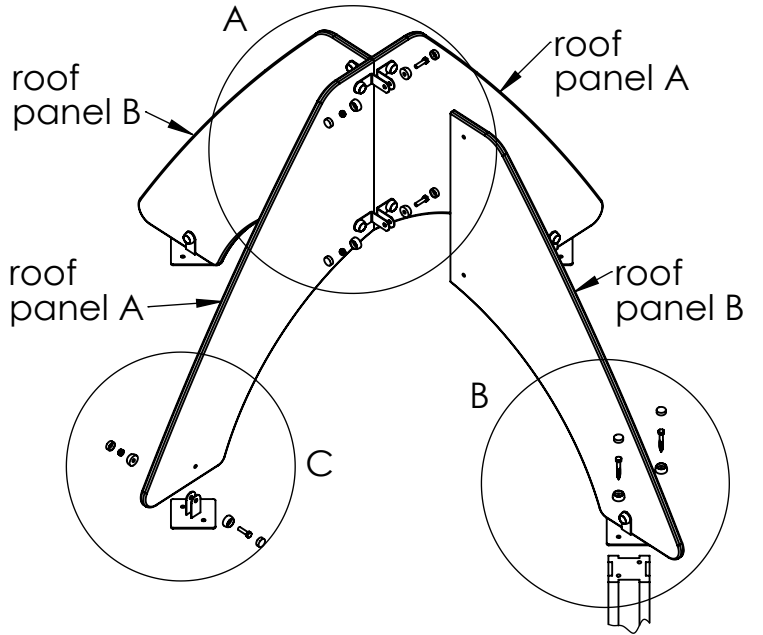
Tiptaptap OÜ  
Veetorni 9,  
Jüri alevik, Rae vald,  
75301 Harjumaa

A

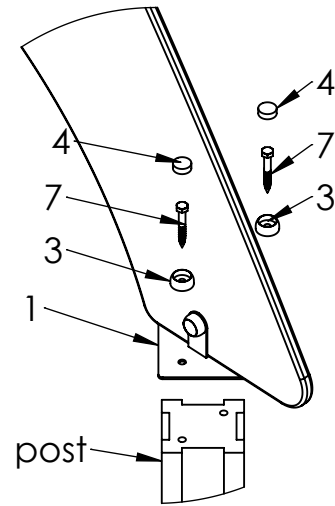
DETAIL A  
SCALE 1 : 9



B

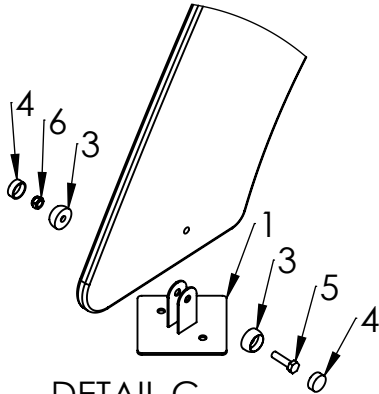


C



DETAIL B  
SCALE 1 : 9

D



DETAIL C  
SCALE 1 : 9

E

ITEM NO.	PART NUMBER
1	roof fixture
2	corner 60x60
3	nut cover M8
4	nut cover cap M8
5	bolt DIN933 M8x30
6	nut DIN985 M8
7	wood screw DIN571 8x60

F

UNLESS OTHERWISE SPECIFIED:  
DIMENSIONS ARE IN MILLIMETERS  
WEIGHT ARE IN KILOGRAMM

PART NUMBER / DWG NO.:

LM222

	NAME	SIGNATURE	DATE	REVISION
DRAWN	M.Rebase		29.05.2015	
APPV'D				

DESCRIPTION:

Play Centre ISABEL  
connecting roof to post

MATERIAL:

wood, metal, plastic

A4

WEIGHT:

SCALE: 1:18

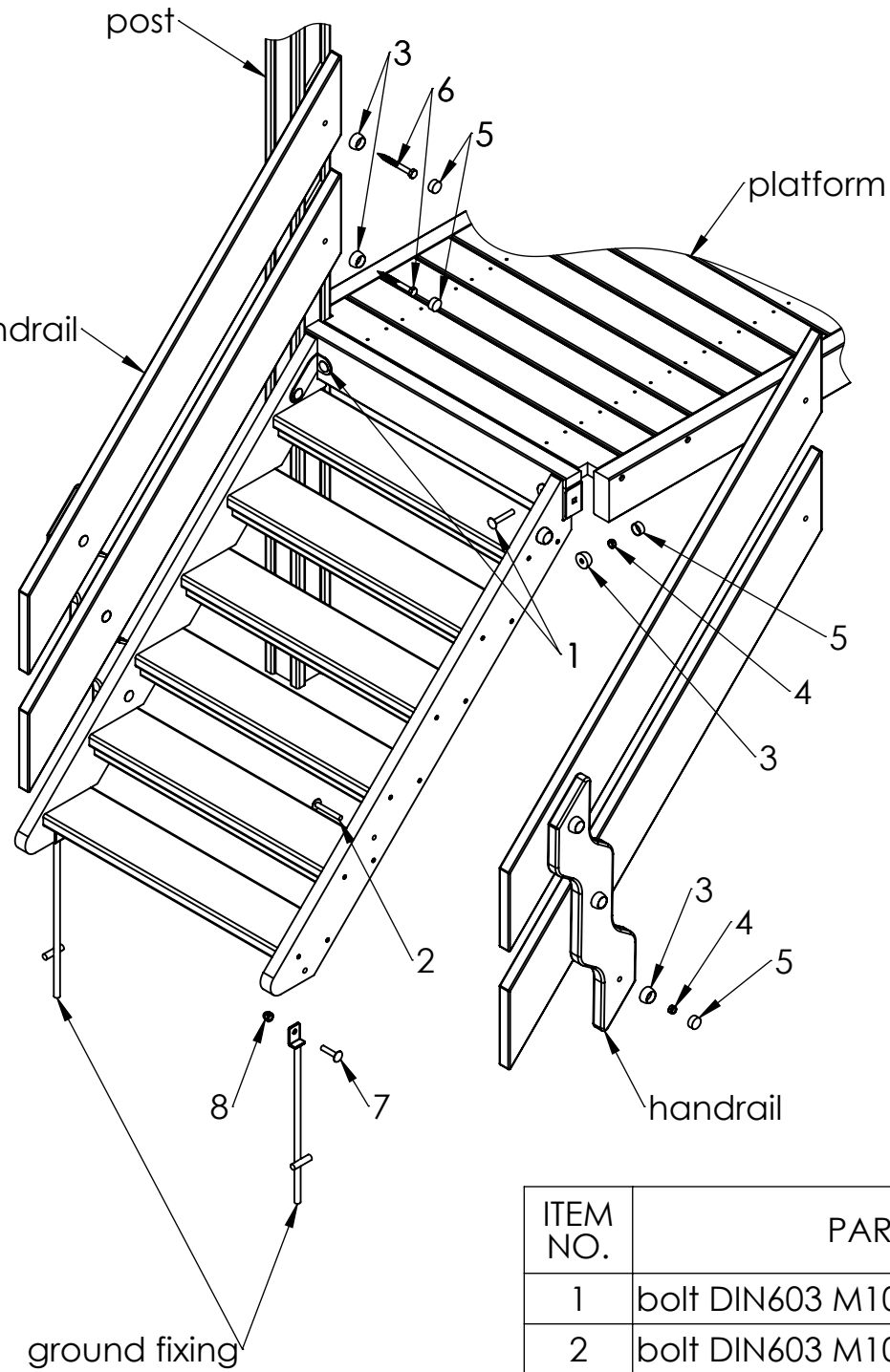
SHEET 16 OF 18



**Tiptap** OÜ

Tiptap OÜ  
Veetorni 9,  
Jüri alevik, Rae vald,  
75301 Harjumaa





ITEM NO.	PART NUMBER
1	bolt DIN603 M10x60
2	bolt DIN603 M10x70
3	nut cover M10
4	nut DIN985 M10
5	nut cover cap M10
6	wood screw DIN571 10x100
7	bolt DIN603 M10x45
8	domed cap nut DIN1587 M10

UNLESS OTHERWISE SPECIFIED:  
DIMENSIONS ARE IN MILLIMETERS  
WEIGHT ARE IN KILOGRAMM

PART NUMBER / DWG NO.:

LM222

	NAME	SIGNATURE	DATE	REVISION
DRAWN	M.Rebase		29.05.2015	
APPV'D				

DESCRIPTION:

Play Centre ISABEL  
connecting stairs to platform

MATERIAL:

wood, metal, plastic

A4

WEIGHT:

SCALE: 1:15

SHEET 17 OF 18



**Tiptap** OÜ

Tiptap OÜ  
Veetorni 9,  
Jüri alevik, Rae vald,  
75301 Harjumaa

A

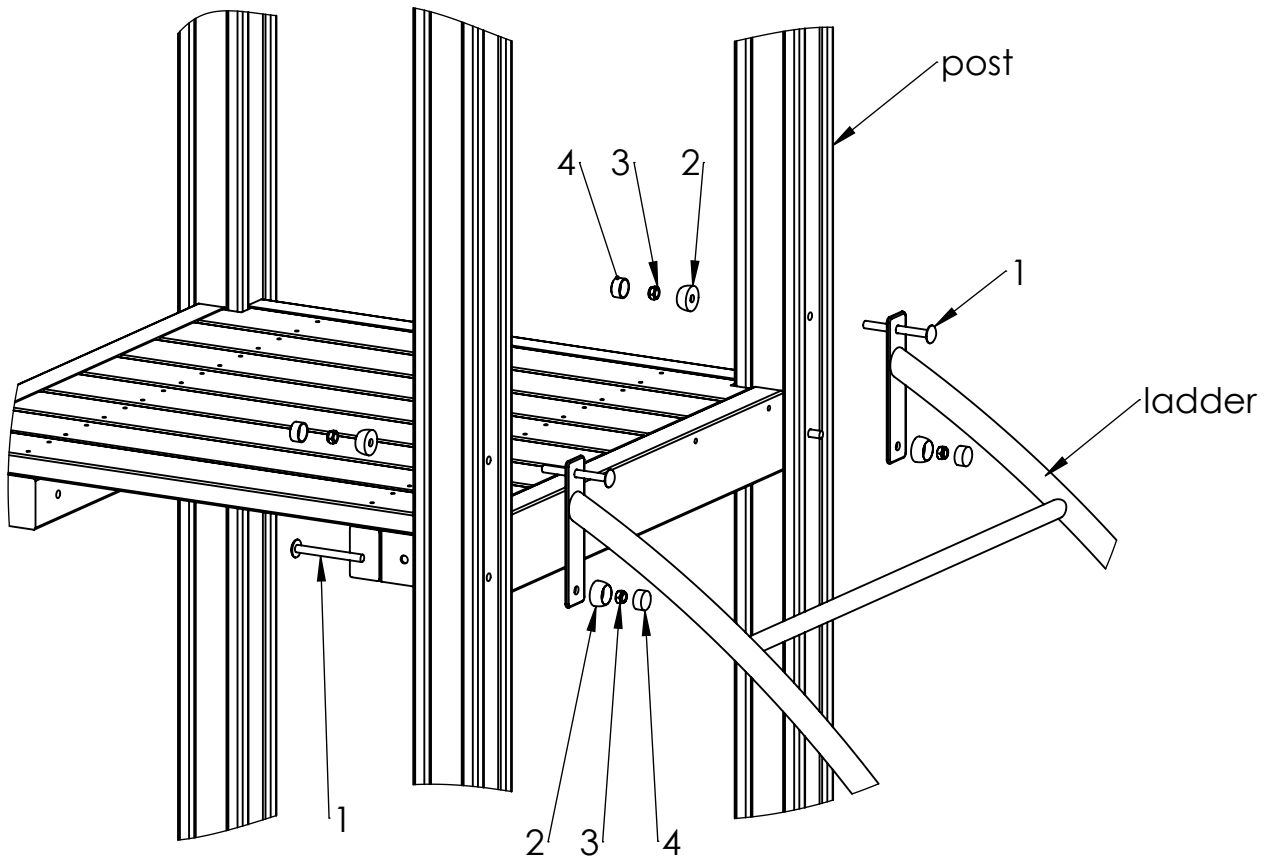
B

C

D

E

F



ITEM NO.	ITEM NAME
1	bolt DIN603 M10x100
2	nut cover
3	nut DIN 985 NYLOC M10
4	nut cover cap

UNLESS OTHERWISE SPECIFIED: DIMENSIONS ARE IN MILLIMETERS WEIGHT ARE IN KILOGRAMM				
	NAME	SIGNATURE	DATE	REVISION
DRAWN	M.Rebase		29.05.2015	
APPV'D				

PART NUMBER / DWG NO.:	LM222
DESCRIPTION:	Play Centre ISABEL connecting arch ladder to post



**Tiptiptap** OÜ  
Veetorni 9,  
Jüri alevik, Rae vald,  
75301 Harjumaa

MATERIAL:	wood, metal, plastic	A4
WEIGHT:	SCALE: 1:10	SHEET 18 OF 18