

A

B

C

D

E

F



UNLESS OTHERWISE SPECIFIED:
DIMENSIONS ARE IN MILLIMETERS
WEIGHT ARE IN KILOGRAMM

Lekplatsgrossisten.se

PART NUMBER / DWG NO.:

LM220

	NAME	SIGNATURE	DATE	REVISION
DRAWN	M.Rebase		05.07.2016	
APPV'D				

DESCRIPTION:

Play Centre HERMANN



Tiptaptap OÜ

Tiptaptap OÜ
Veetorni 9,
Jüri alevik, Rae vald,
75301 Harjumaa

MATERIAL:

wood, plywood, metal, plastic

A4

WEIGHT:

SCALE: 1:40

SHEET 1 OF 20

A

B

C

D

E

F



UNLESS OTHERWISE SPECIFIED:
DIMENSIONS ARE IN MILLIMETERS
WEIGHT ARE IN KILOGRAMM

Lekplatsgrossisten.se

PART NUMBER / DWG NO.:

LM220

	NAME	SIGNATURE	DATE	REVISION
DRAWN	M.Rebase		05.07.2016	
APPV'D				

DESCRIPTION:

Play Centre HERMANN



Tiptaptap OÜ

Tiptaptap OÜ
Veetorni 9,
Jüri alevik, Rae vald,
75301 Harjumaa

MATERIAL:

wood, plywood, metal, plastic

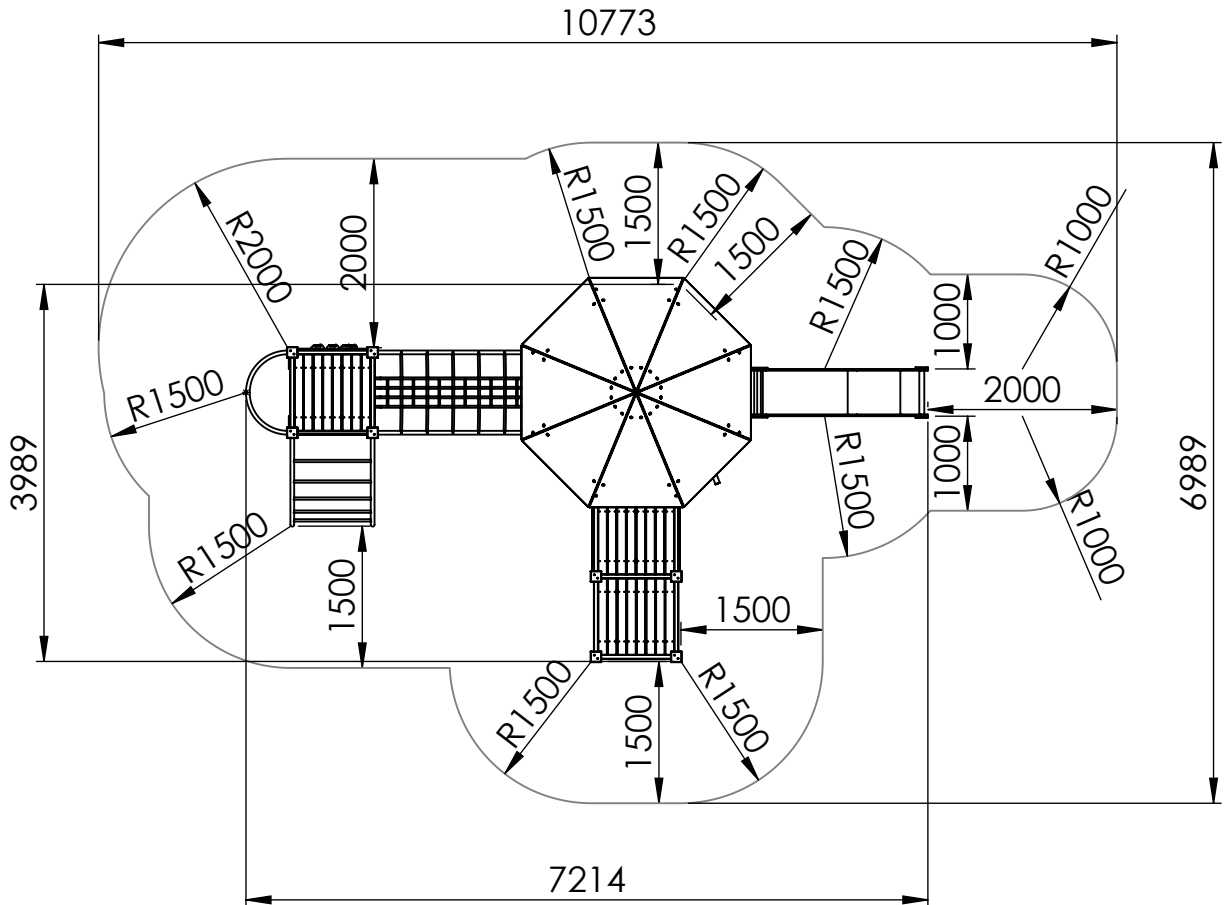
A4

WEIGHT:

SCALE: 1:40

SHEET 2 OF 20

safety area



UNLESS OTHERWISE SPECIFIED:
DIMENSIONS ARE IN MILLIMETERS
WEIGHT ARE IN KILOGRAMM

Lekplatsgrossisten.se

PART NUMBER / DWG NO.:

LM220

	NAME	SIGNATURE	DATE	REVISION
DRAWN	M.Rebase		05.07.2016	
APPV'D				

DESCRIPTION:

Play Centre HERMANN
safety area



Tiptap OÜ

Tiptap OÜ
Veetorni 9,
Jüri alevik, Rae vald,
75301 Harjumaa

MATERIAL:

wood, plywood, metal, plastic

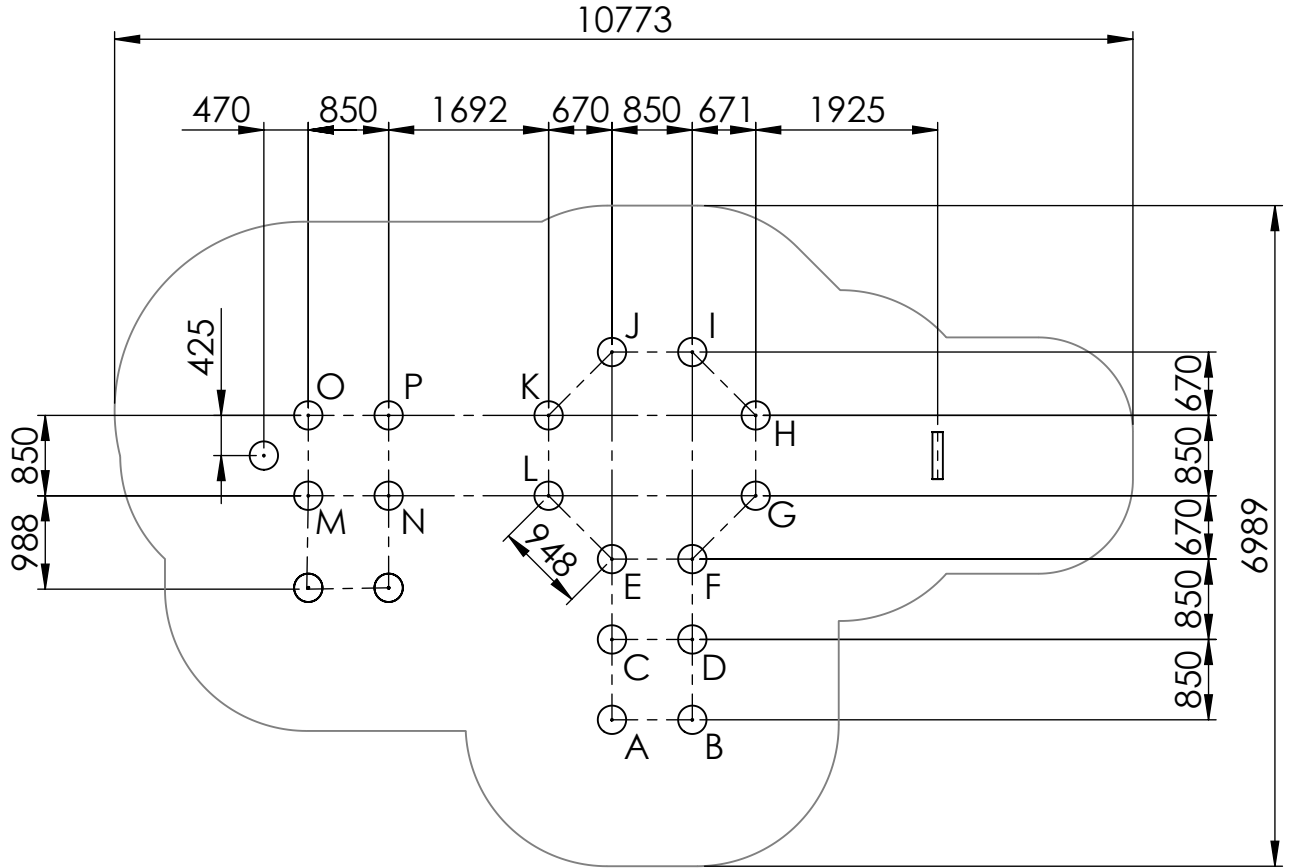
A4

WEIGHT:

SCALE: 1:80

SHEET 3 OF 20

foundation



depth of foundation 500mm

UNLESS OTHERWISE SPECIFIED:
DIMENSIONS ARE IN MILLIMETERS
WEIGHT ARE IN KILOGRAMM

Lekplatsgrossisten.se

PART NUMBER / DWG NO.:

LM220

	NAME	SIGNATURE	DATE	REVISION
DRAWN	M.Rebase		05.07.2016	
APPV'D				

DESCRIPTION:

Play Centre HERMANN
foundation



Tiptaptap OÜ

Tiptaptap OÜ
Veetorni 9,
Jüri alevik, Rae vald,
75301 Harjumaa

MATERIAL:

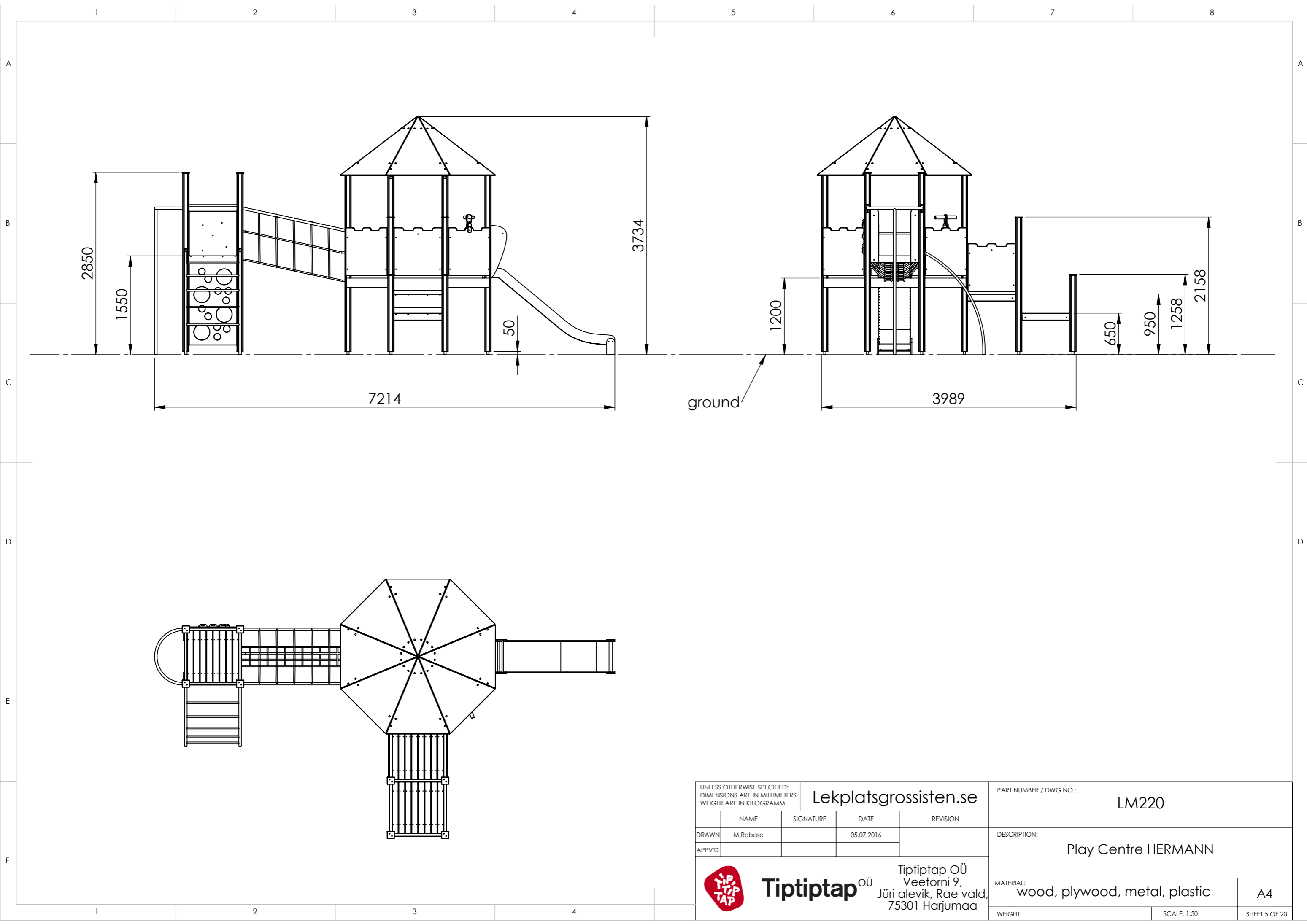
wood, plywood, metal, plastic

A4

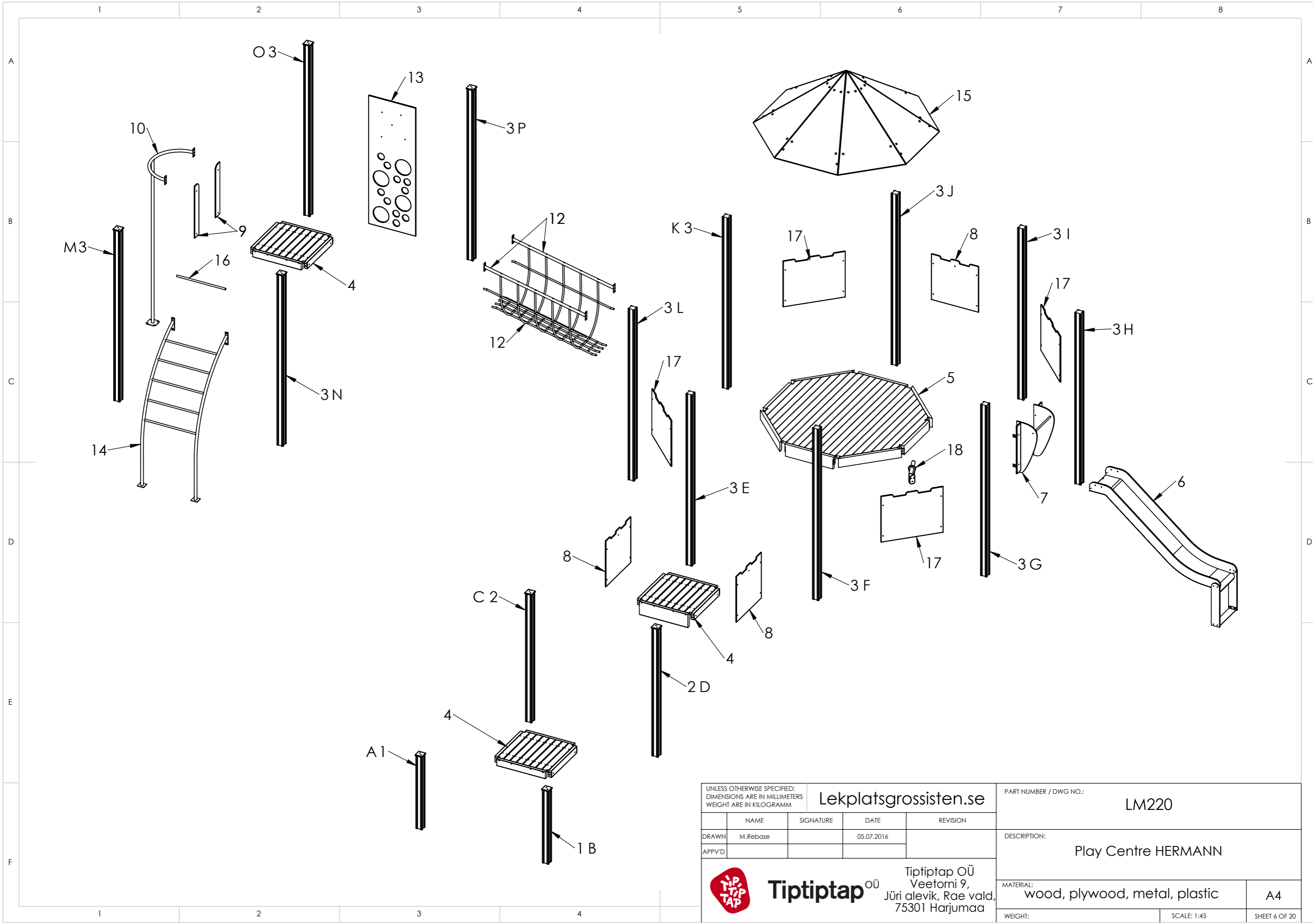
WEIGHT:


SCALE: 1:80

SHEET 4 OF 20




UNLESS OTHERWISE SPECIFIED: DIMENSIONS ARE IN MILLIMETERS WEIGHT ARE IN KILOGRAMM				Lekplatsgrossisten.se		PART NUMBER / DWG NO.:		LM220	
	NAME	SIGNATURE	DATE	REVISION		DESCRIPTION:			
DRAWN	M.Rebase		05.07.2016			Play Centre HERMANN			
APPV'D						MATERIAL:		wood, plywood, metal, plastic	
				Tiptaptap OÜ Veetorni 9, Jüri alevik, Rae vald, 75301 Harjumaa		WEIGHT:		SCALE: 1:50	
								SHEET 5 OF 20	



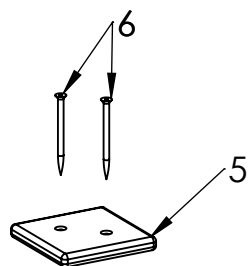
UNLESS OTHERWISE SPECIFIED: DIMENSIONS ARE IN MILLIMETERS WEIGHT ARE IN KILOGRAMM				Lekplatsgrossisten.se		PART NUMBER / DWG NO.: LM220	
	NAME	SIGNATURE	DATE	REVISION		DESCRIPTION: Play Centre HERMANN	
DRAWN	M.Rebase		05.07.2016			MATERIAL: wood, plywood, metal, plastic	
APPV'D						A4	
 Tiptap OÜ Veetorni 9, Jüri alevik, Rae vald, 75301 Harjumaa				WEIGHT:		SCALE: 1:45	
						SHEET 6 OF 20	

ITEM NO.	PART NUMBER	DESCRIPTION	QTY.
1	post 98x98x1200	laminated wood	2
2	post 98x98x2100	laminated wood	2
3	post 98x98x2800	laminated wood	12
4	platform	laminated wood, metal	3
5	octagonal platform	laminated wood	1
6	slide h_1200	stainless steel, PE plastic	1
7	slide guard block	plywood, painted steel	1
8	panel 750x750	plywood	3
9	panel 850x126	plywood	2
10	climbing pole	galvanized painted steel	1
11	tube \varnothing 40x1650	painted steel	2
12	inclined rope bridge	PP covered steel wire	1
13	climbing wall h_750x2100	plywood	1
14	arch ladder	galvanized painted steel	1
15	roof with fixings	plywood, painted steel	1
16	guardrail \varnothing 25x770	painted steel	1
17	panel 750x914	plywood	4
18	spyglass	PE plastic	1

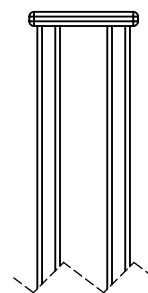
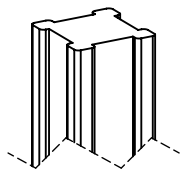
C	
D	
E	

UNLESS OTHERWISE SPECIFIED: DIMENSIONS ARE IN MILLIMETERS WEIGHT ARE IN KILOGRAMM		Lekplatsgrossisten.se		PART NUMBER / DWG NO.: LM220	
	NAME	SIGNATURE	DATE	REVISION	DESCRIPTION: Play Centre HERMANN
DRAWN	M.Rebase		05.07.2016		
APPV'D					
 Tiptiptap OÜ Veetorni 9, Jüri alevik, Rae vald, 75301 Harjumaa		MATERIAL: wood, plywood, metal, plastic		A4	SCALE: 1:15 SHEET 7 OF 20
		WEIGHT:			

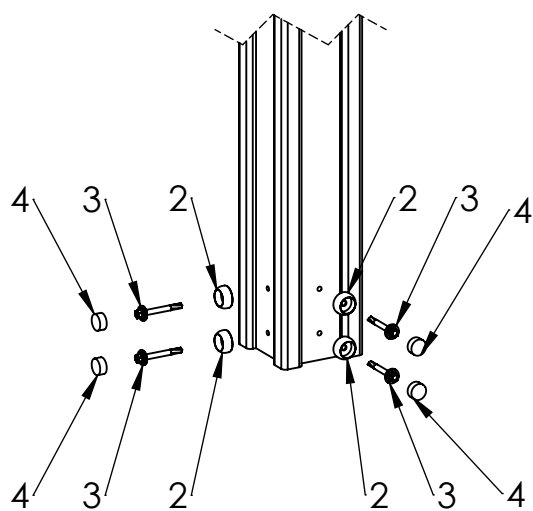
A



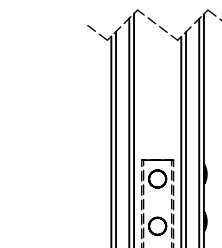
B



C



ground



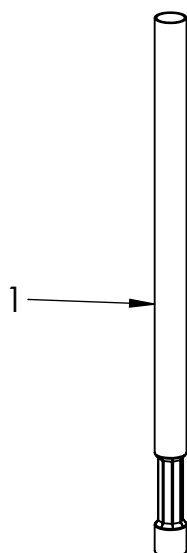
50

200

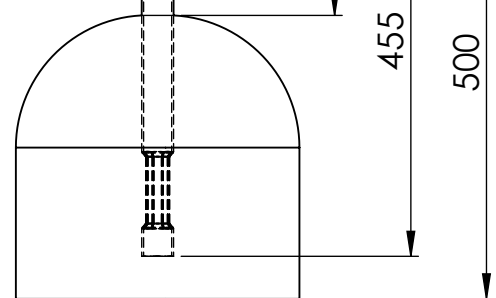
455

500

D



concrete



E

ITEM NO.	PART NUMBER
1	metal ground fixing L_600
2	nut cover M6
3	screw DIN7504K 5,5x50
4	nut cover cap M6
5	plastic cap 115x115
6	wood screw 6 x 90

UNLESS OTHERWISE SPECIFIED:
DIMENSIONS ARE IN MILLIMETERS
WEIGHT ARE IN KILOGRAMM

Lekplatsgrossisten.se

PART NUMBER / DWG NO.:

LM220

	NAME	SIGNATURE	DATE	REVISION
DRAWN	M.Rebase		05.07.2016	
APPV'D				

DESCRIPTION:

Play Centre HERMANN
connecting metal ground fixing to post

F



Tiptaptap OÜ

Tiptaptap OÜ
Veetorni 9,
Jüri alevik, Rae vald,
75301 Harjumaa

MATERIAL:
wood, plywood, metal, plastic

A4

WEIGHT:

SCALE: 1:8

SHEET 8 OF 20

A

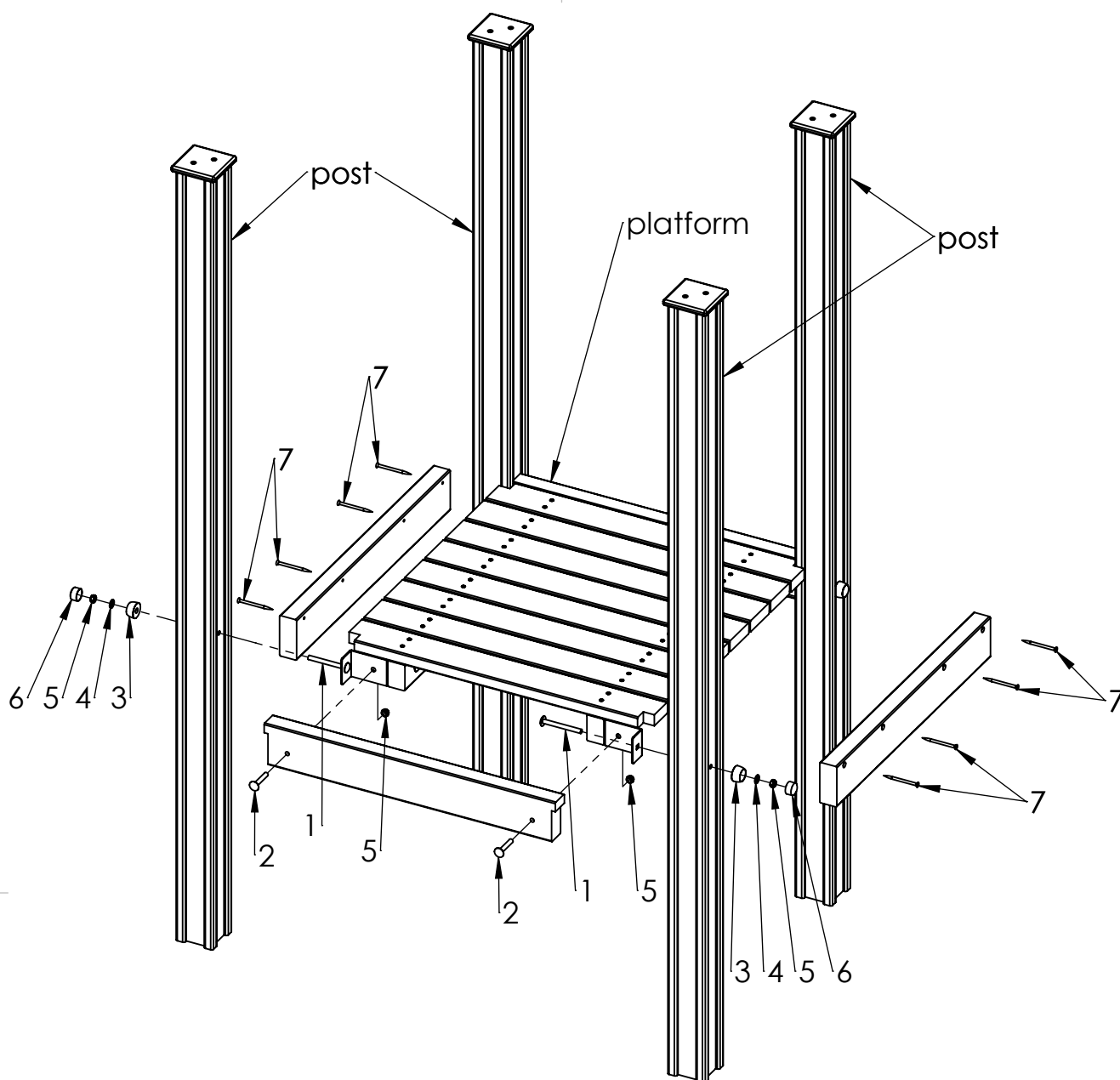
B

C

D

E

F



ITEM NO.	PART NUMBER
1	bolt DIN603 M10x100
2	bolt DIN603 M10x60
3	nut cover M12
4	washer M10
5	nut DIN985 M10
6	nut cover cap M12
7	wood screw 6 x 90

UNLESS OTHERWISE SPECIFIED:
DIMENSIONS ARE IN MILLIMETERS
WEIGHT ARE IN KILOGRAMM

Lekplatsgrossisten.se

PART NUMBER / DWG NO.:

LM220

	NAME	SIGNATURE	DATE	REVISION
DRAWN	M.Rebase		05.07.2016	
APPV'D				

DESCRIPTION:

Play Centre HERMANN
connecting platform to post



Tiptaptap OÜ

Tiptaptap OÜ
Veetorni 9,
Jüri alevik, Rae vald,
75301 Harjumaa

MATERIAL:
wood, plywood, metal, plastic

A4

WEIGHT:

SCALE: 1:15

SHEET 9 OF 20

A

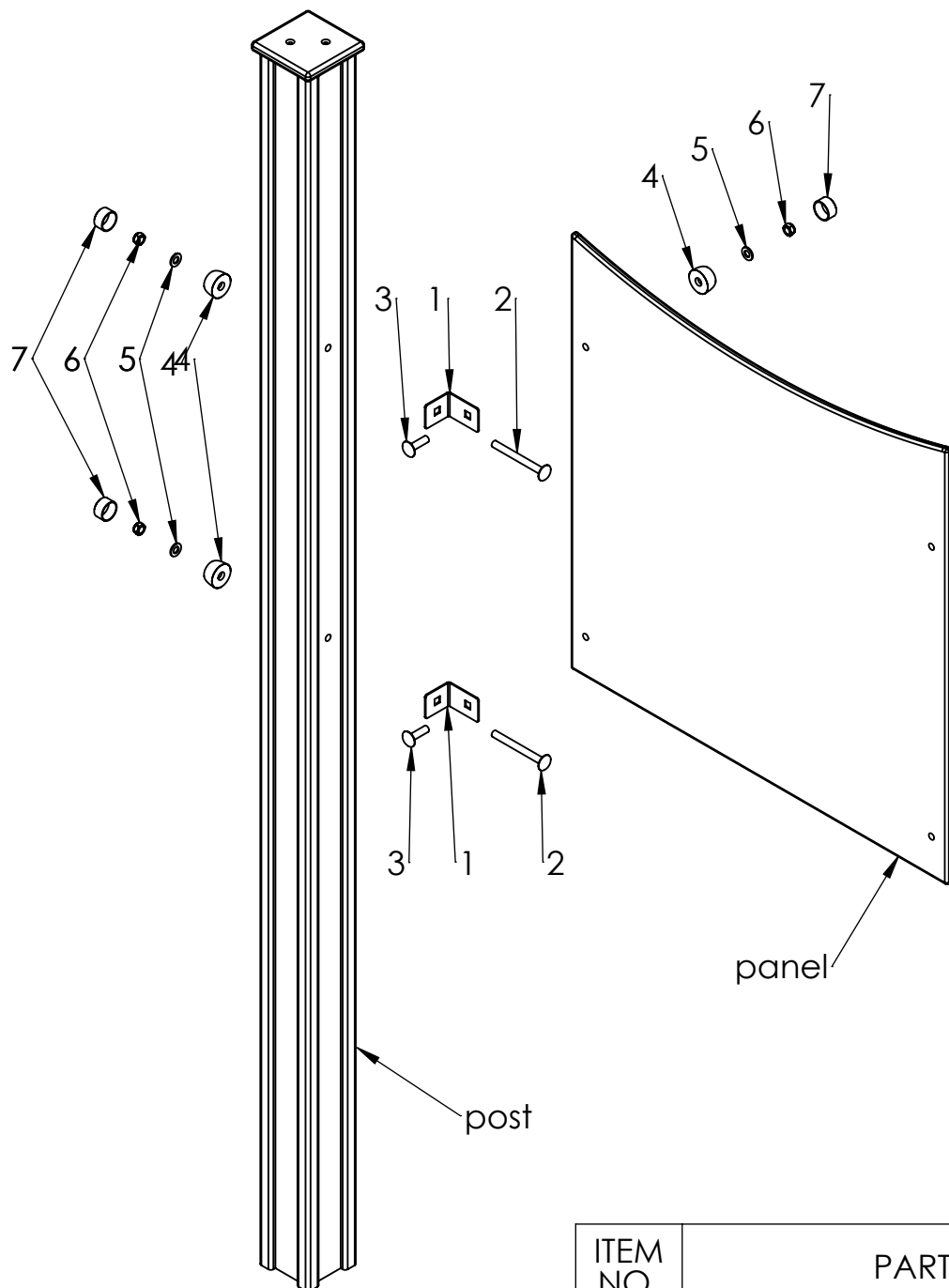
B

C

D

E

F



ITEM NO.	PART NUMBER
1	corner 48x60
2	bolt DIN603 M10x100
3	bolt DIN603 M10x35
4	nut cover M12
5	washer M10
6	nut DIN985 M10
7	nut cover cap M12

UNLESS OTHERWISE SPECIFIED:
DIMENSIONS ARE IN MILLIMETERS
WEIGHT ARE IN KILOGRAMM

Lekplatsgrossisten.se

PART NUMBER / DWG NO.:

LM220

	NAME	SIGNATURE	DATE	REVISION
DRAWN	M.Rebase		05.07.2016	
APPV'D				

DESCRIPTION:

Play Centre HERMANN
connecting panel to post



Tiptap OÜ

Tiptap OÜ
Veetorni 9,
Jüri alevik, Rae vald,
75301 Harjumaa

MATERIAL:

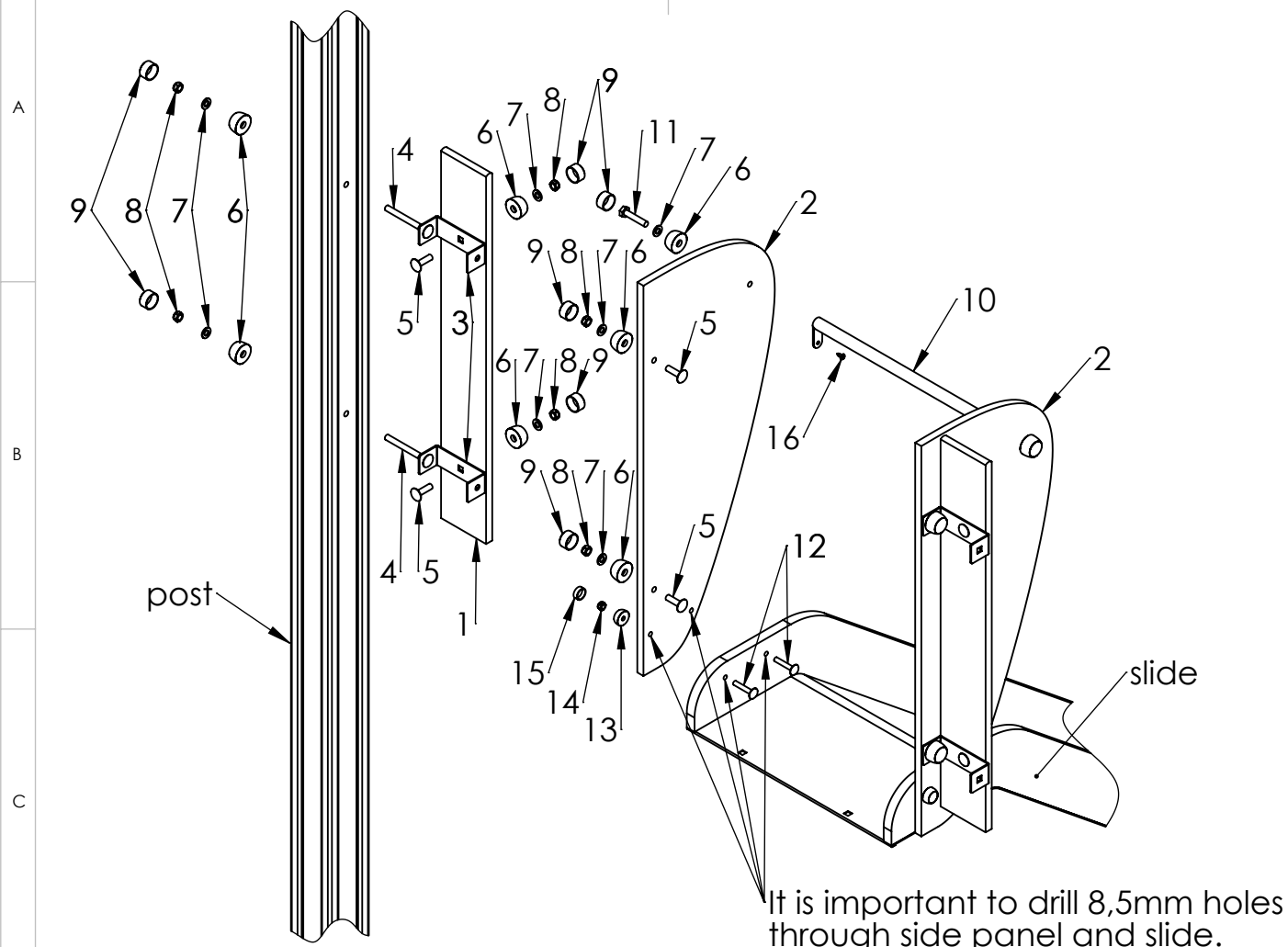
wood, plywood, metal, plastic

A4

WEIGHT:

SCALE: 1:10

SHEET 10 OF 20



ITEM NO.	PART NUMBER
1	side panel 110x780
2	slide side panel
3	slide side panel fixing 40x120
4	bolt DIN603 M10x100
5	bolt DIN603 M10x35
6	nut cover M12
7	washer M10
8	nut DIN985 M10
9	nut cover cap M12
10	slide guardrail
11	bolt DIN931 M10x50
12	bolt DIN603 M8x45
13	nut cover M8
14	nut DIN985 M8
15	nut cover cap M8
16	wood screw 4,8x13

UNLESS OTHERWISE SPECIFIED:
DIMENSIONS ARE IN MILLIMETERS
WEIGHT ARE IN KILOGRAMM

Lekplatsgrossisten.se

PART NUMBER / DWG NO.:

LM220

	NAME	SIGNATURE	DATE	REVISION
DRAWN	M.Rebase		05.07.2016	
APPV'D				

DESCRIPTION:

Play Centre HERMANN
connecting slide guard block to post

MATERIAL:
wood, plywood, metal, plastic

A4

WEIGHT:

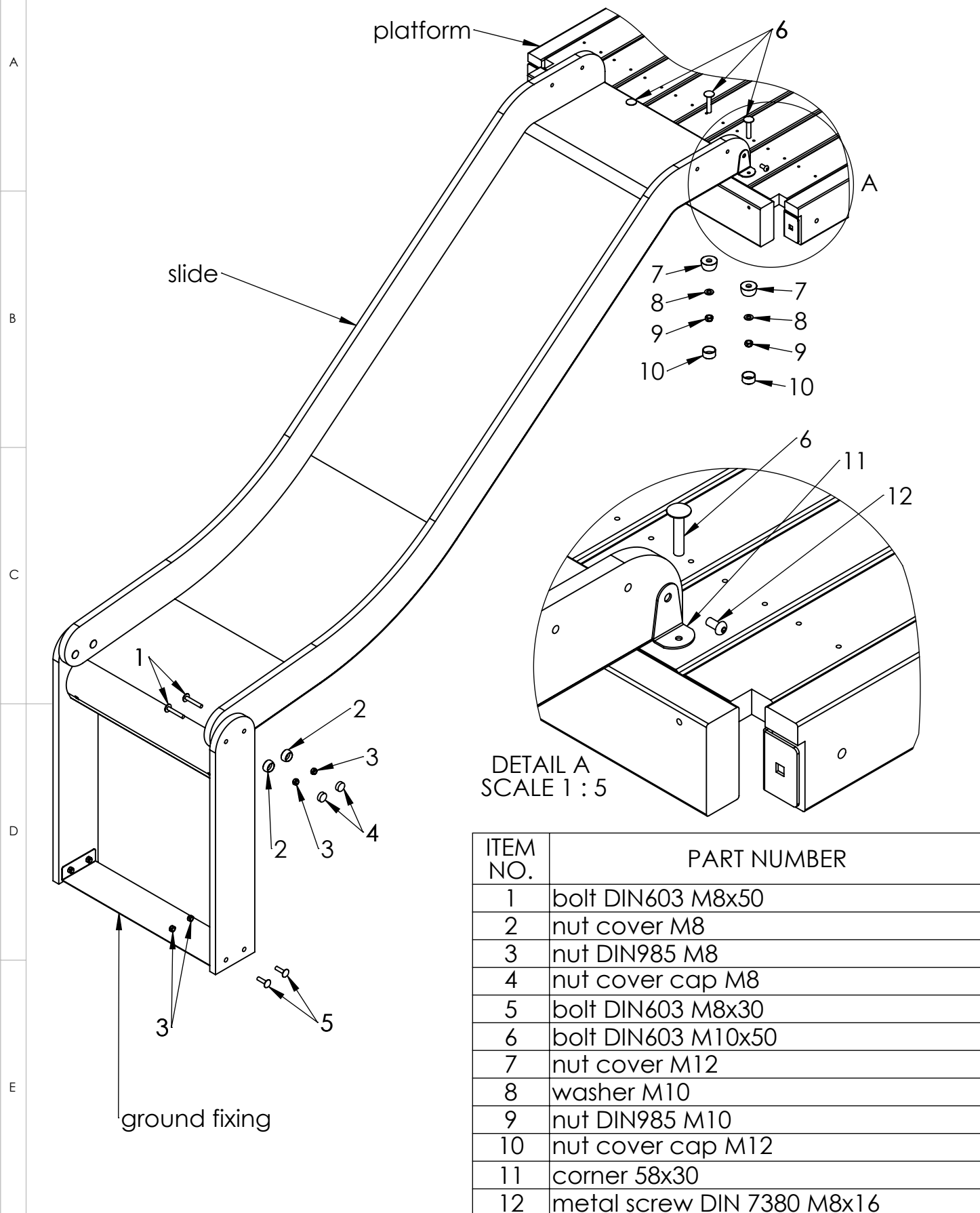
SCALE: 1:12

SHEET 11 OF 20



Tiptiptap OÜ

Tiptiptap OÜ
Veetorni 9,
Jüri alevik, Rae vald,
75301 Harjumaa



DETAIL A
SCALE 1 : 5

ITEM NO.	PART NUMBER
1	bolt DIN603 M8x50
2	nut cover M8
3	nut DIN985 M8
4	nut cover cap M8
5	bolt DIN603 M8x30
6	bolt DIN603 M10x50
7	nut cover M12
8	washer M10
9	nut DIN985 M10
10	nut cover cap M12
11	corner 58x30
12	metal screw DIN 7380 M8x16

UNLESS OTHERWISE SPECIFIED:
DIMENSIONS ARE IN MILLIMETERS
WEIGHT ARE IN KILOGRAMM

Lekplatsgrossisten.se

PART NUMBER / DWG NO.:

LM220

	NAME	SIGNATURE	DATE	REVISION
DRAWN	M.Rebase		05.07.2016	
APPV'D				

DESCRIPTION:

Play Centre HERMANN
connecting slide to platform

MATERIAL:

wood, plywood, metal, plastic

A4

WEIGHT:

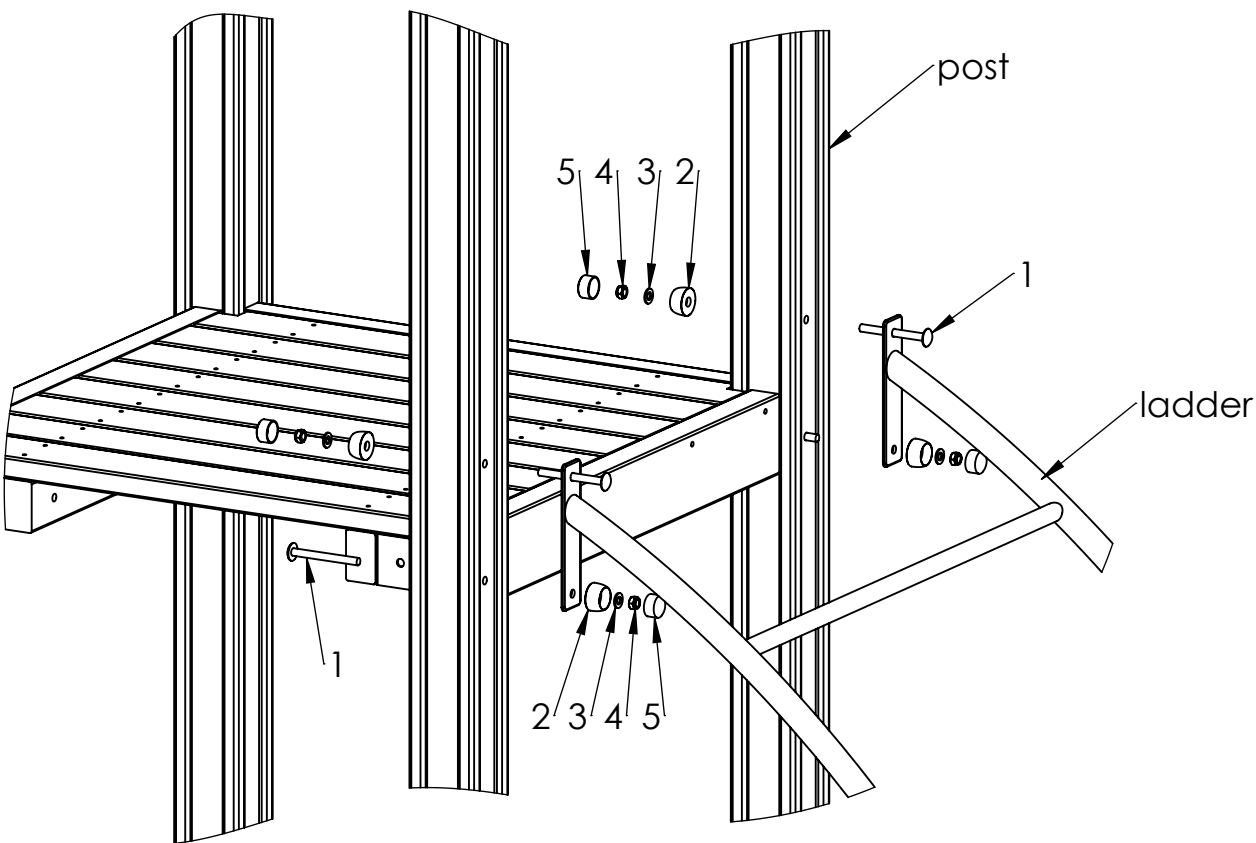
SCALE: 1:12

SHEET 12 OF 20



Tiptaptap OÜ

Tiptaptap OÜ
Veetorni 9,
Jüri alevik, Rae vald,
75301 Harjumaa



ITEM NO.	PART NUMBER
1	bolt DIN603 M10x100
2	nut cover M12
3	washer M10
4	nut DIN985 M10
5	nut cover cap M12
6	post 98x98x2350

UNLESS OTHERWISE SPECIFIED:
DIMENSIONS ARE IN MILLIMETERS
WEIGHT ARE IN KILOGRAMM

Lekplatsgrossisten.se

PART NUMBER / DWG NO.:
LM220

	NAME	SIGNATURE	DATE	REVISION
DRAWN	M.Rebase		05.07.2016	
APPV'D				

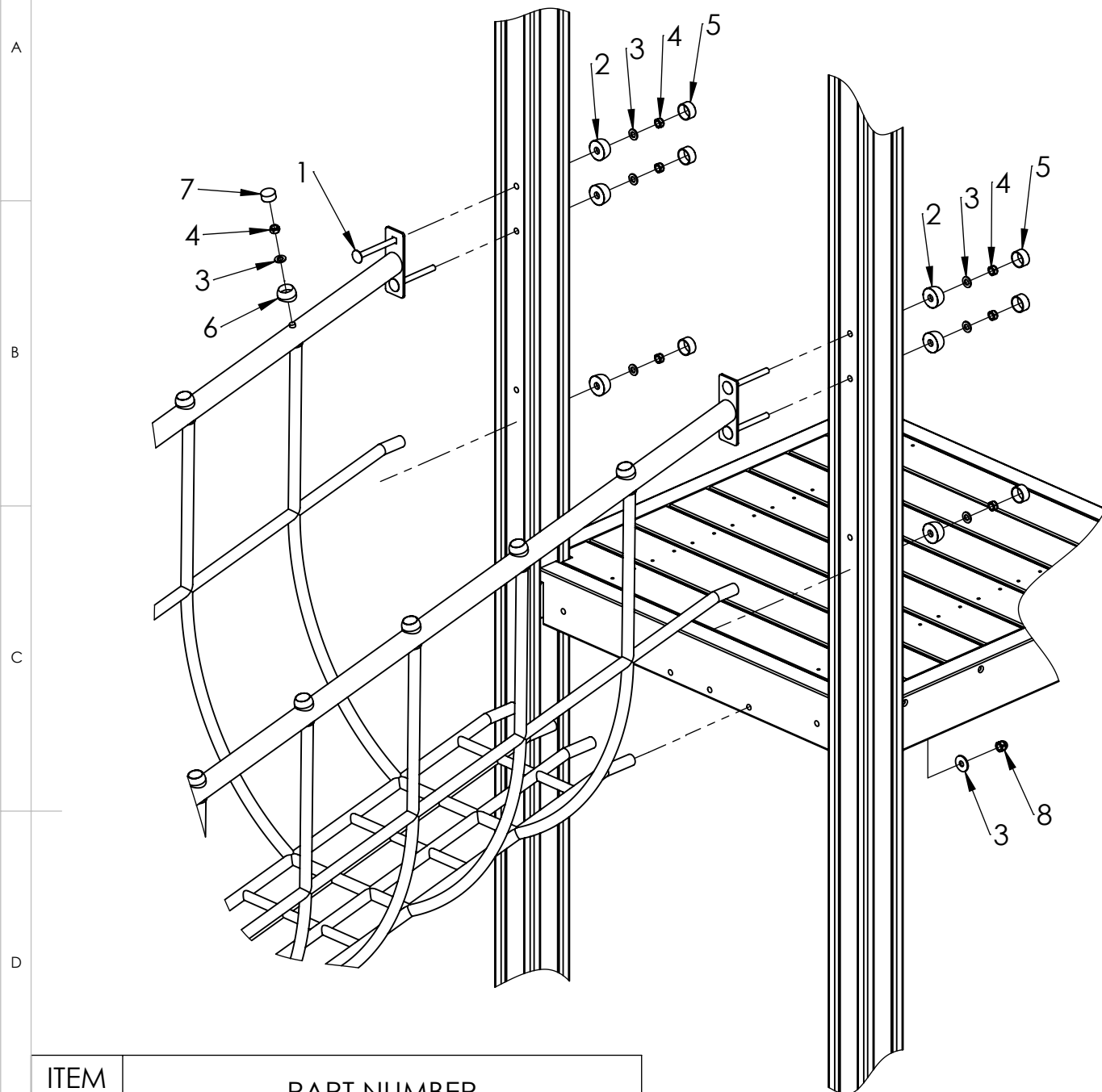
DESCRIPTION:
**Play Centre HERMANN
connecting arch ladder to post**



Tiptaptap OÜ

Tiptaptap OÜ
Veetorni 9,
Jüri alevik, Rae vald,
75301 Harjumaa

MATERIAL: wood, plywood, metal, plastic	A4
WEIGHT:	SCALE: 1:10
	SHEET 13 OF 20



ITEM NO.	PART NUMBER
1	bolt DIN603 M10x100
2	nut cover M12
3	washer M10
4	nut DIN985 M10
5	nut cover cap M12
6	nut cover for beam M10
7	nut cover cap M10
8	domed cap nut DIN1587 M10

UNLESS OTHERWISE SPECIFIED:
DIMENSIONS ARE IN MILLIMETERS
WEIGHT ARE IN KILOGRAMM

Lekplatsgrossisten.se

PART NUMBER / DWG NO.:

LM220

	NAME	SIGNATURE	DATE	REVISION
DRAWN	M.Rebase		05.07.2016	
APPV'D				

DESCRIPTION:

Play Centre HERMANN
connecting bridge to post and platform

MATERIAL:

wood, plywood, metal, plastic

A4

WEIGHT:

SCALE: 1:11

SHEET 14 OF 20



Tiptiptap OÜ

Tiptiptap OÜ
Veetorni 9,
Jüri alevik, Rae vald,
75301 Harjumaa

A

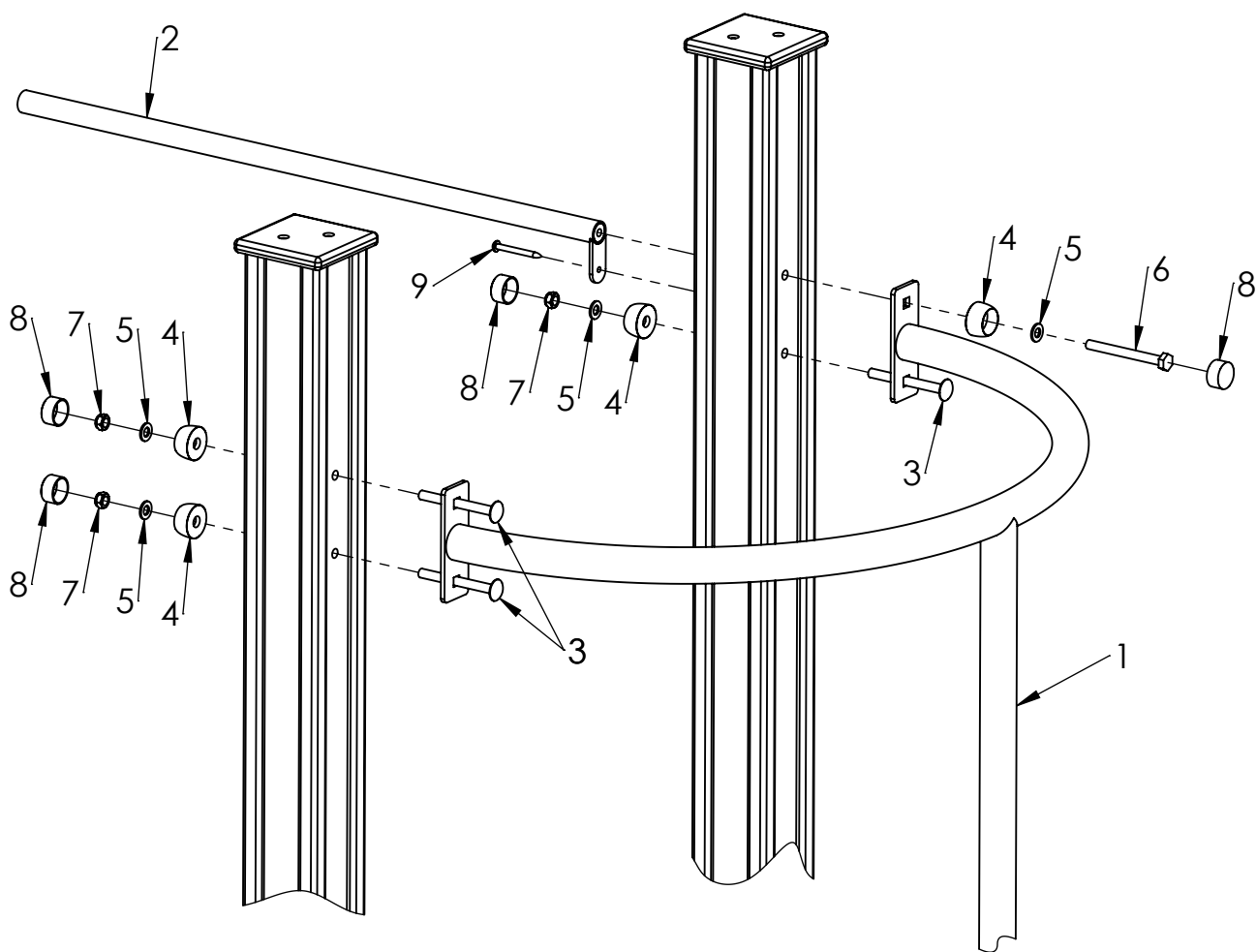
B

C

D

E

F



ITEM NO.	PART NUMBER
1	climbing pole
2	guardrail ϕ 25x770
3	bolt DIN603 M10x100
4	nut cover M12
5	washer M10
6	bolt DIN931 M10x100
7	nut DIN985 M10
8	nut cover cap M12
9	screw DIN7996 6x60

UNLESS OTHERWISE SPECIFIED:
DIMENSIONS ARE IN MILLIMETERS
WEIGHT ARE IN KILOGRAMM

Lekplatsgrossisten.se

PART NUMBER / DWG NO.:

LM220

	NAME	SIGNATURE	DATE	REVISION
DRAWN	M.Rebase		05.07.2016	
APPV'D				

DESCRIPTION:

Play Centre HERMANN
connecting climbing pole and guardrail to post

MATERIAL:

wood, plywood, metal, plastic

A4

WEIGHT:

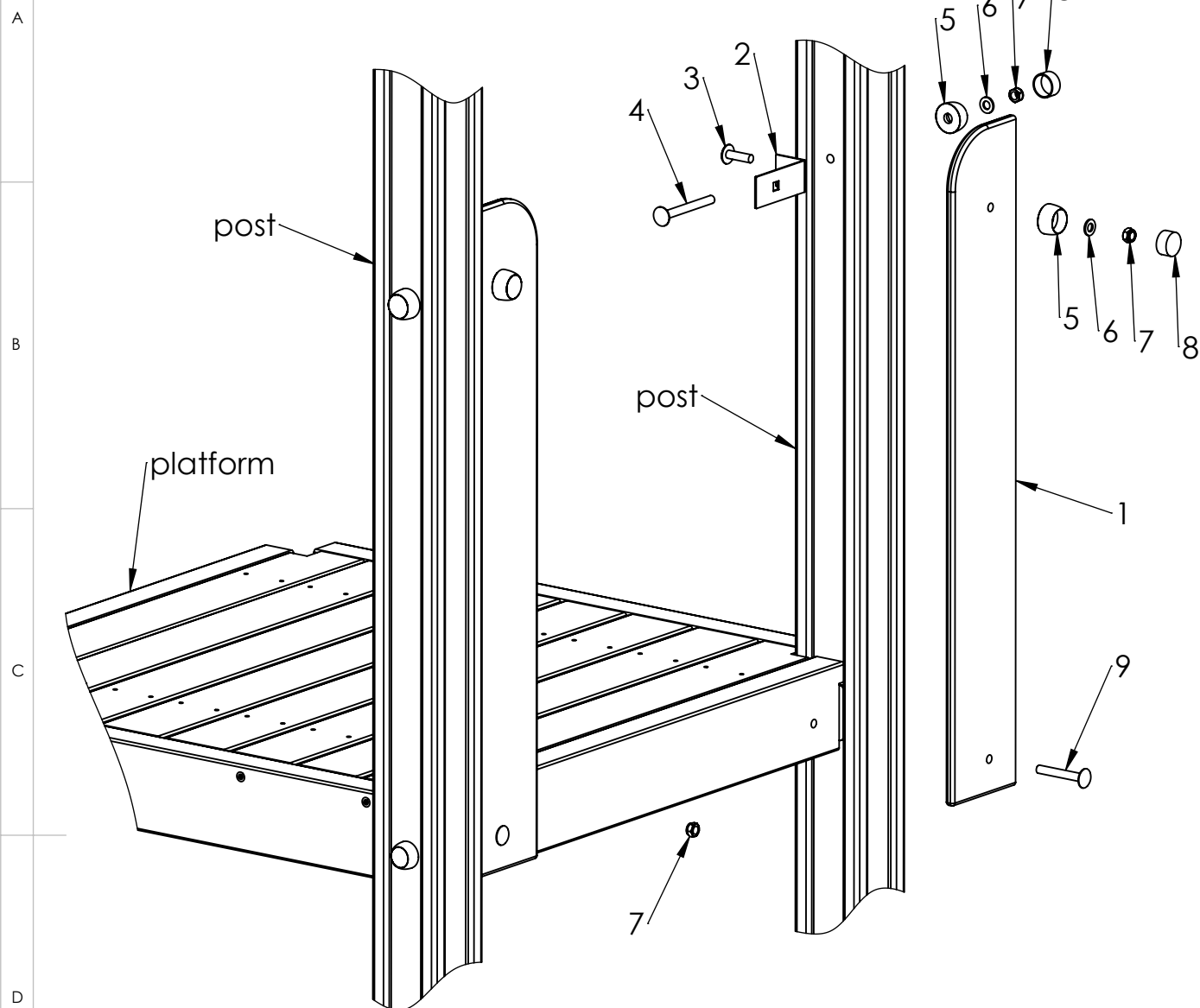
SCALE: 1:8

SHEET 15 OF 20



Tiptaptap OÜ

Tiptaptap OÜ
Veetorni 9,
Jüri alevik, Rae vald,
75301 Harjumaa



ITEM NO.	PART NUMBER
1	panel 850x126
2	slide side panel fixing 40x100
3	bolt DIN603 M10x35
4	bolt DIN603 M10x100
5	nut cover M12
6	washer M10
7	nut DIN985 M10
8	nut cover cap M12
9	bolt DIN603 M10x70

UNLESS OTHERWISE SPECIFIED:
DIMENSIONS ARE IN MILLIMETERS
WEIGHT ARE IN KILOGRAMM

Lekplatsgrossisten.se

PART NUMBER / DWG NO.:

LM220

	NAME	SIGNATURE	DATE	REVISION
DRAWN	M.Rebase		05.07.2016	
APPV'D				

DESCRIPTION:

Play Centre HERMANN
connecting climbing pole side panels

MATERIAL:
wood, plywood, metal, plastic

A4

WEIGHT:

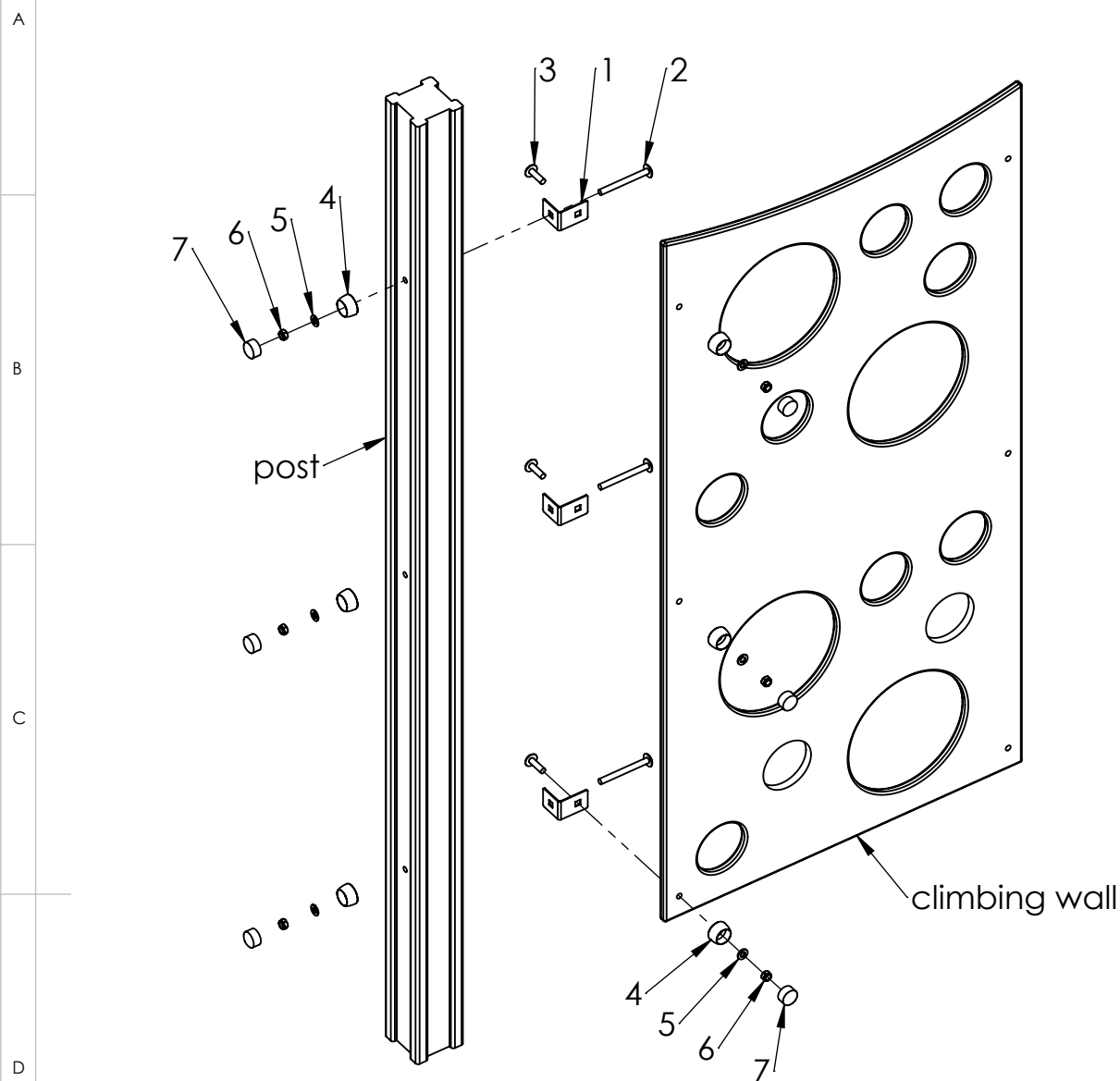
SCALE: 1:8

SHEET 16 OF 20



Tiptaptap OÜ

Tiptaptap OÜ
Veetorni 9,
Jüri alevik, Rae vald,
75301 Harjumaa



ITEM NO.	PART NUMBER
1	corner 48x60
2	bolt DIN603 M10x100
3	bolt DIN603 M10x35
4	nut cover M12
5	washer M10
6	nut DIN985 M10
7	nut cover cap M12

UNLESS OTHERWISE SPECIFIED:
DIMENSIONS ARE IN MILLIMETERS
WEIGHT ARE IN KILOGRAMM

Lekplatsgrossisten.se

PART NUMBER / DWG NO.:

LM220

	NAME	SIGNATURE	DATE	REVISION
DRAWN	M.Rebase		05.07.2016	
APPV'D				

DESCRIPTION:

Play Centre HERMANN
connecting climbing wall to post



Tiptaptap OÜ

Tiptaptap OÜ
Veetorni 9,
Jüri alevik, Rae vald,
75301 Harjumaa

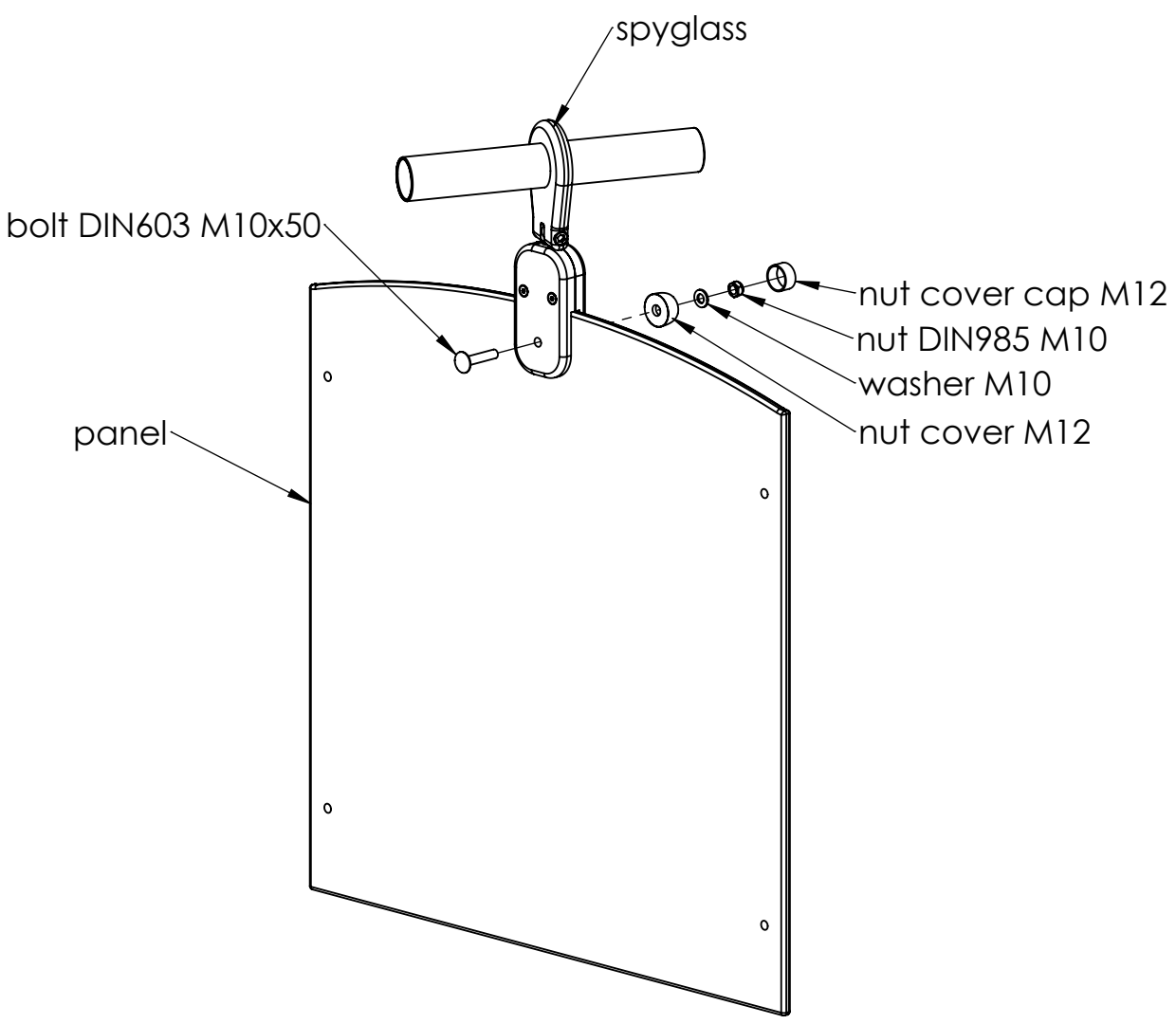
MATERIAL:
wood, plywood, metal, plastic

A4

WEIGHT:

SCALE: 1:12

SHEET 17 OF 20



A

B

C

D

E

F

1

2

3

4

UNLESS OTHERWISE SPECIFIED:
DIMENSIONS ARE IN MILLIMETERS
WEIGHT ARE IN KILOGRAMM

Lekplatsgrossisten.se

PART NUMBER / DWG NO.:
LM220

	NAME	SIGNATURE	DATE	REVISION
DRAWN	M.Rebase		05.07.2016	
APPV'D				

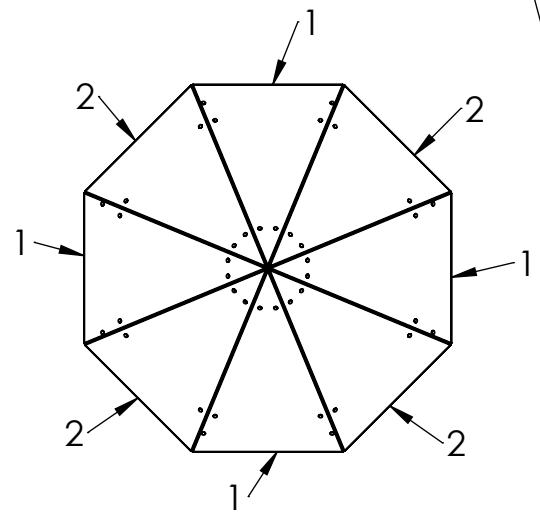
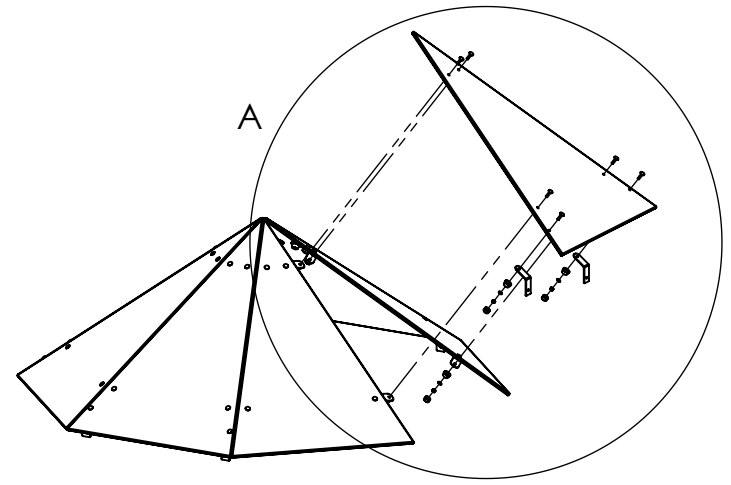
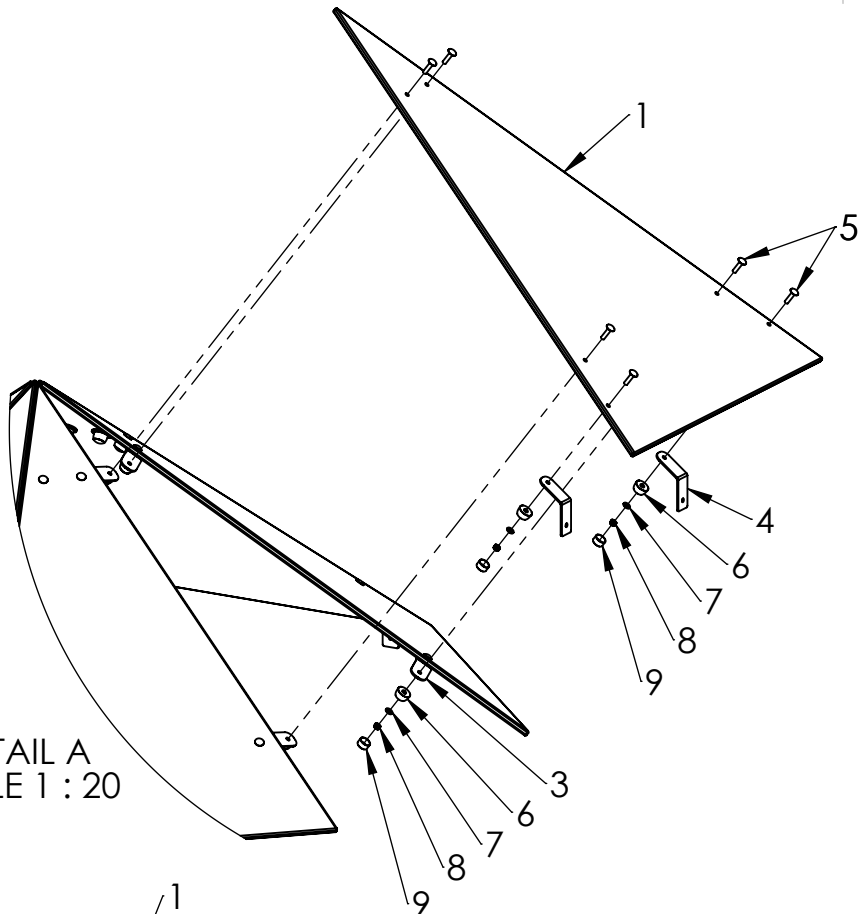
DESCRIPTION:
Play Centre HERMANN




Tiptaptap OÜ
Veetorni 9,
Jüri alevik, Rae vald,
75301 Harjumaa

MATERIAL: wood, plywood, metal, plastic	A4
WEIGHT:	SCALE: 1:8
	SHEET 18 OF 20

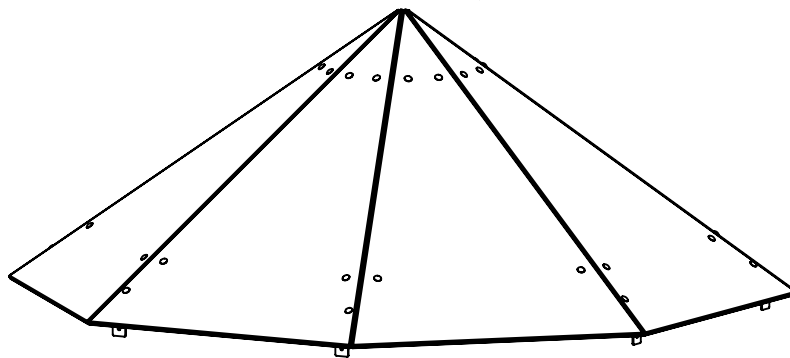
DETAIL A
SCALE 1 : 20



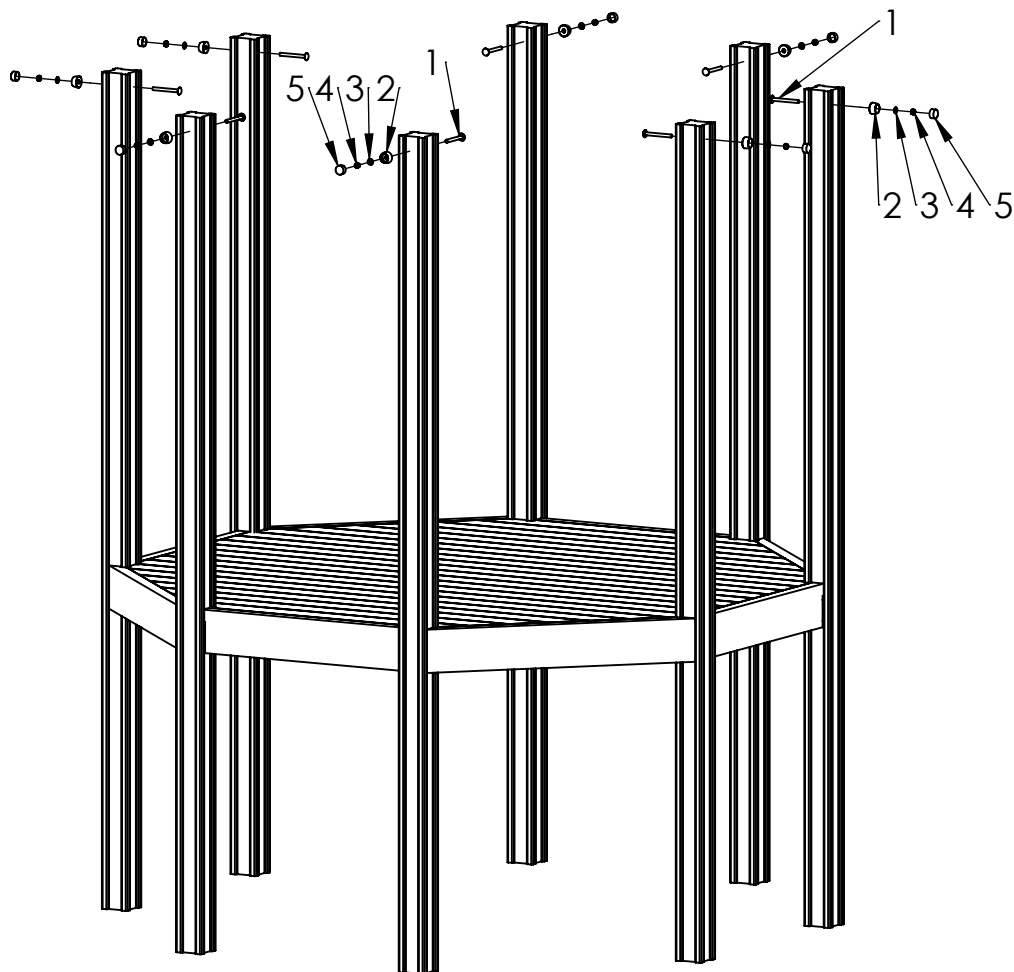
ITEM NO.	PART NUMBER
1	roof panel, 6 holes
2	roof panel, 4 holes
3	corner 48x150_27°
4	corner 48x180_53°
5	bolt DIN603 M10x40
6	nut cover M12
7	washer M10
8	nut DIN985 M10
9	nut cover cap M12

UNLESS OTHERWISE SPECIFIED: DIMENSIONS ARE IN MILLIMETERS WEIGHT ARE IN KILOGRAMM		Lekplatsgrossisten.se			PART NUMBER / DWG NO.: LM220	
	NAME	SIGNATURE	DATE	REVISION	DESCRIPTION: Play Centre HERMANN roof assembling	
DRAWN	M.Rebase		05.07.2016			
APPV'D						
 Tiptap OÜ Tiptap OÜ Veetorni 9, Jüri alevik, Rae vald, 75301 Harjumaa		MATERIAL: wood, plywood, metal, plastic		A4		
WEIGHT:		SCALE: 1:40		SHEET 19 OF 20		

A



B



C

D

E

ITEM NO.	PART NUMBER
1	bolt DIN603 M10x100
2	nut cover M12
3	washer M10
4	nut DIN985 M10
5	nut cover cap M12

UNLESS OTHERWISE SPECIFIED:
DIMENSIONS ARE IN MILLIMETERS
WEIGHT ARE IN KILOGRAMM

Lekplatsgrossisten.se

PART NUMBER / DWG NO.:

LM220

	NAME	SIGNATURE	DATE	REVISION
DRAWN	M.Rebase		05.07.2016	
APPV'D				

DESCRIPTION:

Play Centre HERMANN
connecting roof to post

F



Tiptaptap OÜ

Tiptaptap OÜ
Veetorni 9,
Jüri alevik, Rae vald,
75301 Harjumaa

MATERIAL:
wood, plywood, metal, plastic

A4

WEIGHT:

SCALE: 1:25

SHEET 20 OF 20