

A

B

C

D

E

F



UNLESS OTHERWISE SPECIFIED:
 DIMENSIONS ARE IN MILLIMETERS
 WEIGHT ARE IN KILOGRAMM

PART NUMBER / DWG NO.:

LM220

	NAME	SIGNATURE	DATE	REVISION
DRAWN	M.Rebase		27.04.2012	
APPV'D				

DESCRIPTION:

Play Centre HERMANN



Tiptaptap OÜ

Tiptaptap OÜ
 Veetorni 9,
 Jüri alevik, Rae vald,
 75301 Harjumaa

MATERIAL:

wood, plywood, metal, plastic

A4

WEIGHT:

SCALE: 1:40

SHEET 1 OF 10

A

B

C

D

E

F



UNLESS OTHERWISE SPECIFIED:
 DIMENSIONS ARE IN MILLIMETERS
 WEIGHT ARE IN KILOGRAMM

PART NUMBER / DWG NO.:

LM220

	NAME	SIGNATURE	DATE	REVISION
DRAWN	M.Rebase		27.04.2012	
APPV'D				

DESCRIPTION:

Play Centre HERMANN



Tiptaptap OÜ

Tiptaptap OÜ
 Veetorni 9,
 Jüri alevik, Rae vald,
 75301 Harjumaa

MATERIAL:

wood, plywood, metal, plastic

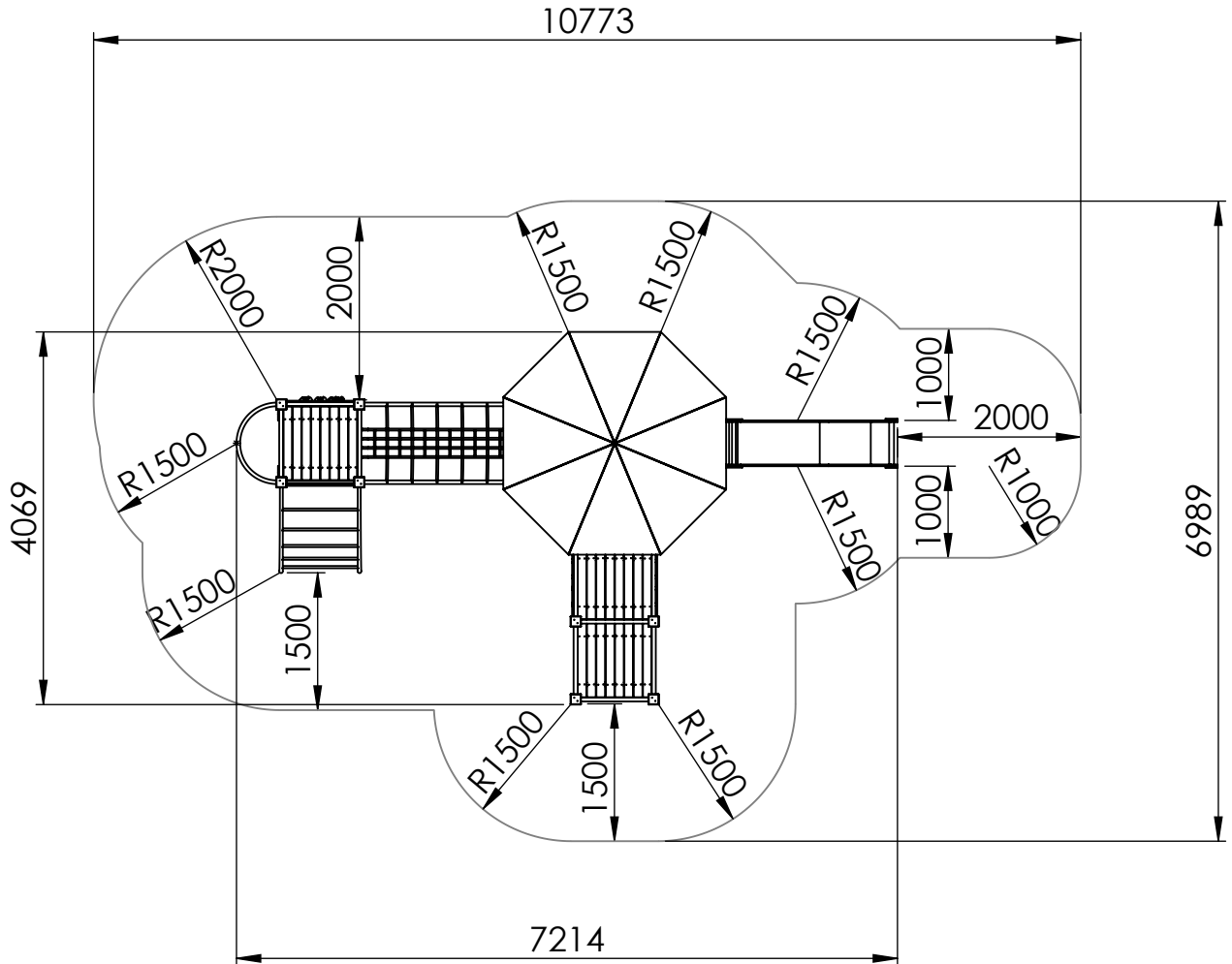
A4

WEIGHT:

SCALE: 1:40

SHEET 2 OF 10

safety area



UNLESS OTHERWISE SPECIFIED:
DIMENSIONS ARE IN MILLIMETERS
WEIGHT ARE IN KILOGRAMM

PART NUMBER / DWG NO.:

LM220

	NAME	SIGNATURE	DATE	REVISION
DRAWN	M.Rebase		27.04.2012	
APPV'D				

DESCRIPTION:

Play Centre HERMANN
safety area



Tiptap OÜ

Tiptap OÜ
Veetorni 9,
Jüri alevik, Rae vald,
75301 Harjumaa

MATERIAL:

wood, plywood, metal, plastic

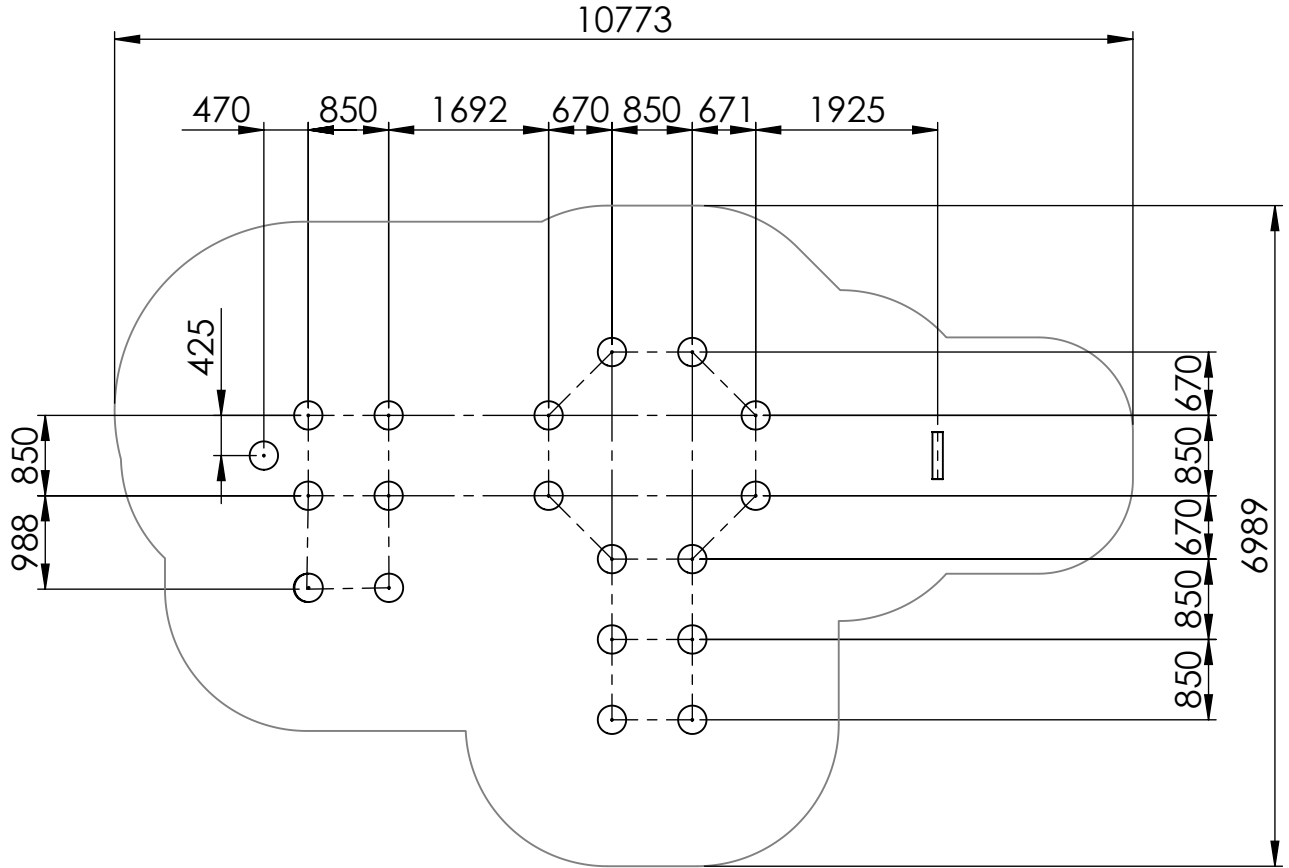
A4

WEIGHT:

SCALE: 1:80

SHEET 3 OF 10

foundation



depth of foundation 450mm

UNLESS OTHERWISE SPECIFIED:
DIMENSIONS ARE IN MILLIMETERS
WEIGHT ARE IN KILOGRAMM

PART NUMBER / DWG NO.:

LM220

	NAME	SIGNATURE	DATE	REVISION
DRAWN	M.Rebase		27.04.2012	
APPV'D				

DESCRIPTION:

Play Centre HERMANN
foundation



Tiptaptap OÜ

Tiptaptap OÜ
Veetorni 9,
Jüri alevik, Rae vald,
75301 Harjumaa

MATERIAL:

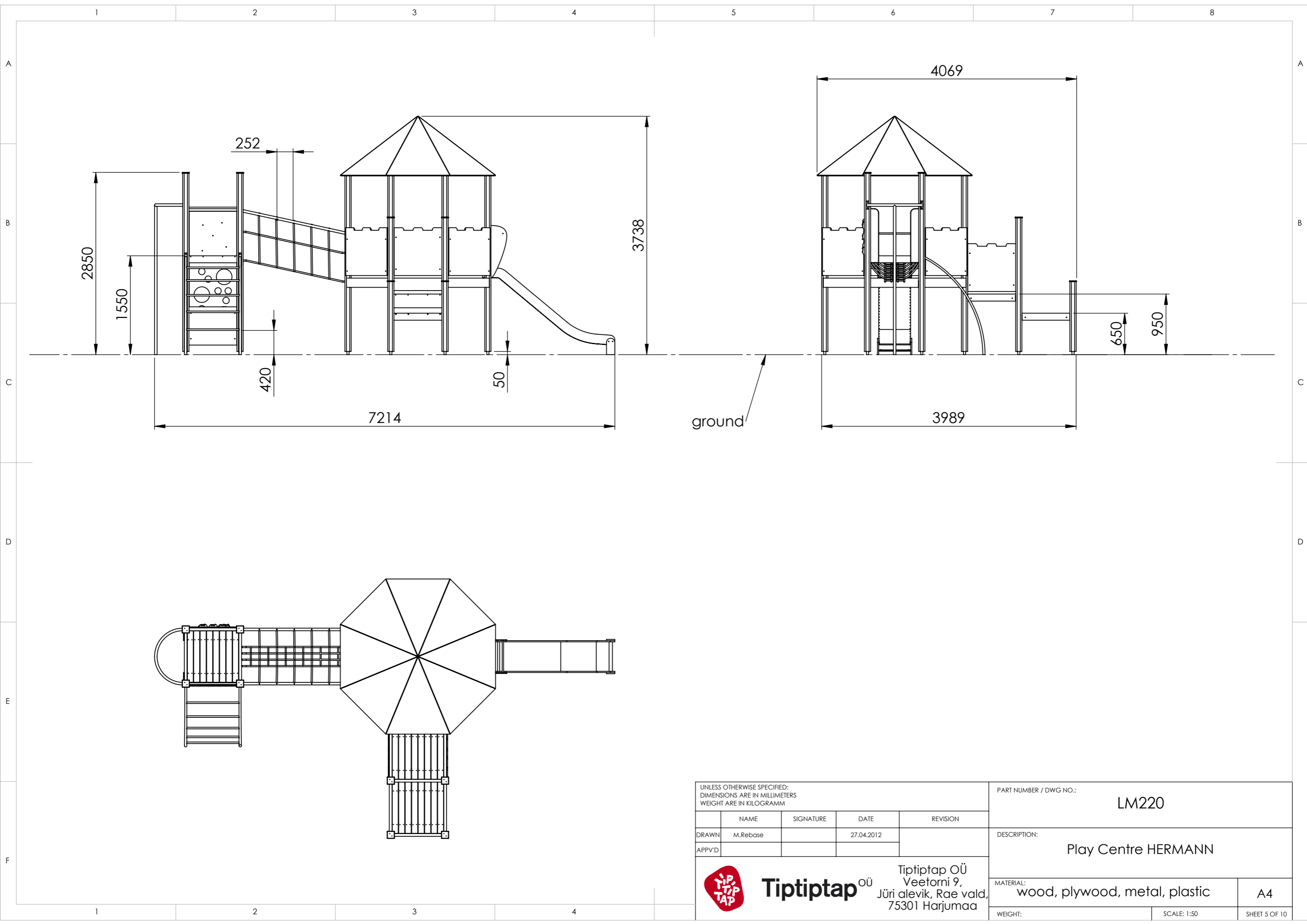
wood, plywood, metal, plastic

A4

WEIGHT:

SCALE: 1:80

SHEET 4 OF 10



UNLESS OTHERWISE SPECIFIED:
DIMENSIONS ARE IN MILLIMETERS
WEIGHT ARE IN KILOGRAMM

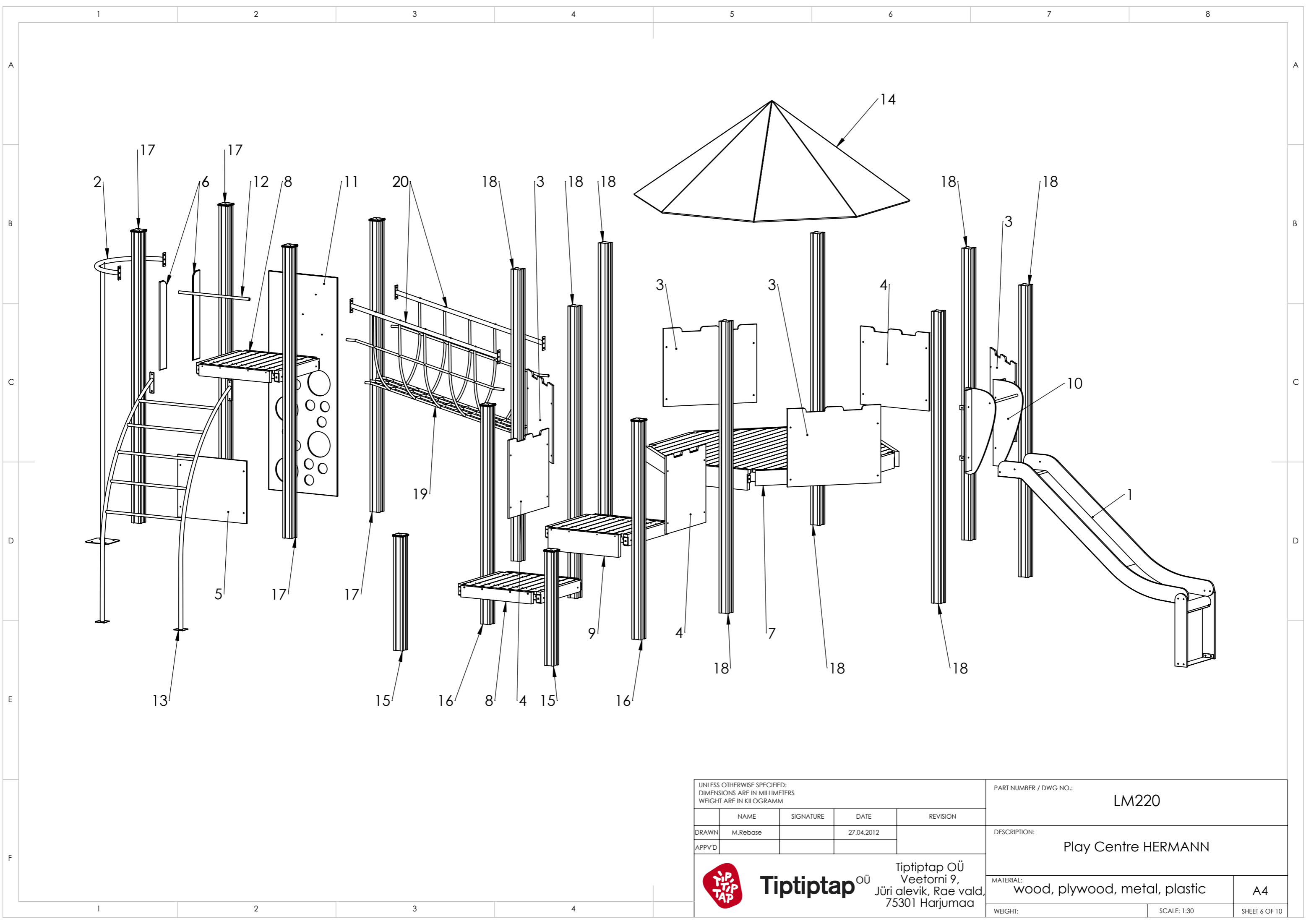
	NAME	SIGNATURE	DATE	REVISION
DRAWN	M.Rebase		27.04.2012	
APPV'D				

PART NUMBER / DWG NO.:	LM220
DESCRIPTION:	Play Centre HERMANN



Tiptaptap OÜ
Veetorni 9,
Jüri alevik, Rae vald,
75301 Harjumaa

MATERIAL:	wood, plywood, metal, plastic	A4
WEIGHT:	SCALE: 1:50	SHEET 5 OF 10



UNLESS OTHERWISE SPECIFIED: DIMENSIONS ARE IN MILLIMETERS WEIGHT ARE IN KILOGRAMM				PART NUMBER / DWG NO.:	
				LM220	
				DESCRIPTION:	
				Play Centre HERMANN	
				MATERIAL:	
				wood, plywood, metal, plastic	
				A4	
				WEIGHT:	
				SCALE: 1:30	
				SHEET 6 OF 10	


Tiptap OÜ
 Veetorni 9,
 Jüri alevik, Rae vald,
 75301 Harjumaa

A

B

C

D

E

F

ITEM NO.	PART NUMBER	DESCRIPTION	QTY.
1	slide h_1200	stainless steel, PE plastic	1
2	climbing pole	galvanized painted steel	1
3	panel 750x914	plywood	4
4	panel 750x750	plywood	3
5	panel 750x600	plywood	1
6	panel 750x127	plywood	2
7	octagonal platform	laminated wood	1
8	platform	laminated wood	2
9	platform with wider board	laminated wood	1
10	slide guard block	plywood, painted steel	1
11	climbing wall h 750x2100	plywood	1
12	guardrail ϕ 25x770	painted steel	1
13	arch ladder	galvanized painted steel	1
14	roof with fixings	plywood, painted steel	1
15	post 98x98x1100 with top cover	laminated wood, PE plastic	2
16	post 98x98x2100 with top cover	laminated wood, PE plastic	2
17	post 98x98x2800 with top cover	laminated wood, PE plastic	4
18	post 98x98x2800	laminated wood	8
19	inclined rope bridge	PP covered steel wire	1
20	tube ϕ 40x1650	painted steel	1

UNLESS OTHERWISE SPECIFIED:
DIMENSIONS ARE IN MILLIMETERS
WEIGHT ARE IN KILOGRAMM

PART NUMBER / DWG NO.:

LM220

	NAME	SIGNATURE	DATE	REVISION
DRAWN	M.Rebase		27.04.2012	
APPV'D				

DESCRIPTION:

Play Centre HERMANN



Tiptiptap OÜ

Tiptiptap OÜ
Veetorni 9,
Jüri alevik, Rae vald,
75301 Harjumaa

MATERIAL:

wood, plywood, metal, plastic

A4

WEIGHT:

SCALE: 1:15

SHEET 7 OF 10

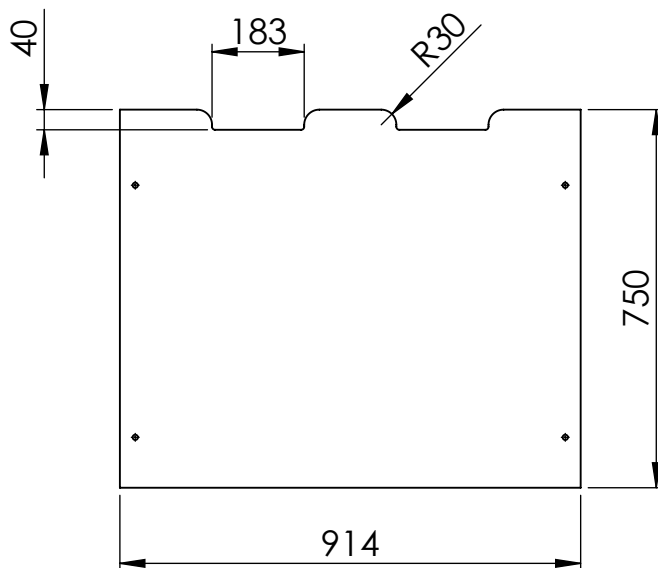
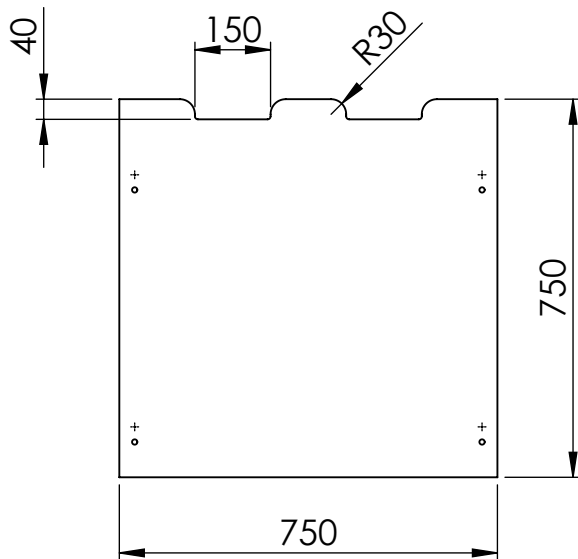
A

B

C

D

E



UNLESS OTHERWISE SPECIFIED:
 DIMENSIONS ARE IN MILLIMETERS
 WEIGHT ARE IN KILOGRAMM

PART NUMBER / DWG NO.:

LM220

	NAME	SIGNATURE	DATE	REVISION
DRAWN	M.Rebase		27.04.2012	
APPV'D				

DESCRIPTION:

Play Centre HERMANN



Tiptaptap OÜ

Tiptaptap OÜ
 Veetorni 9,
 Jüri alevik, Rae vald,
 75301 Harjumaa

MATERIAL:

wood, plywood, metal, plastic

A4

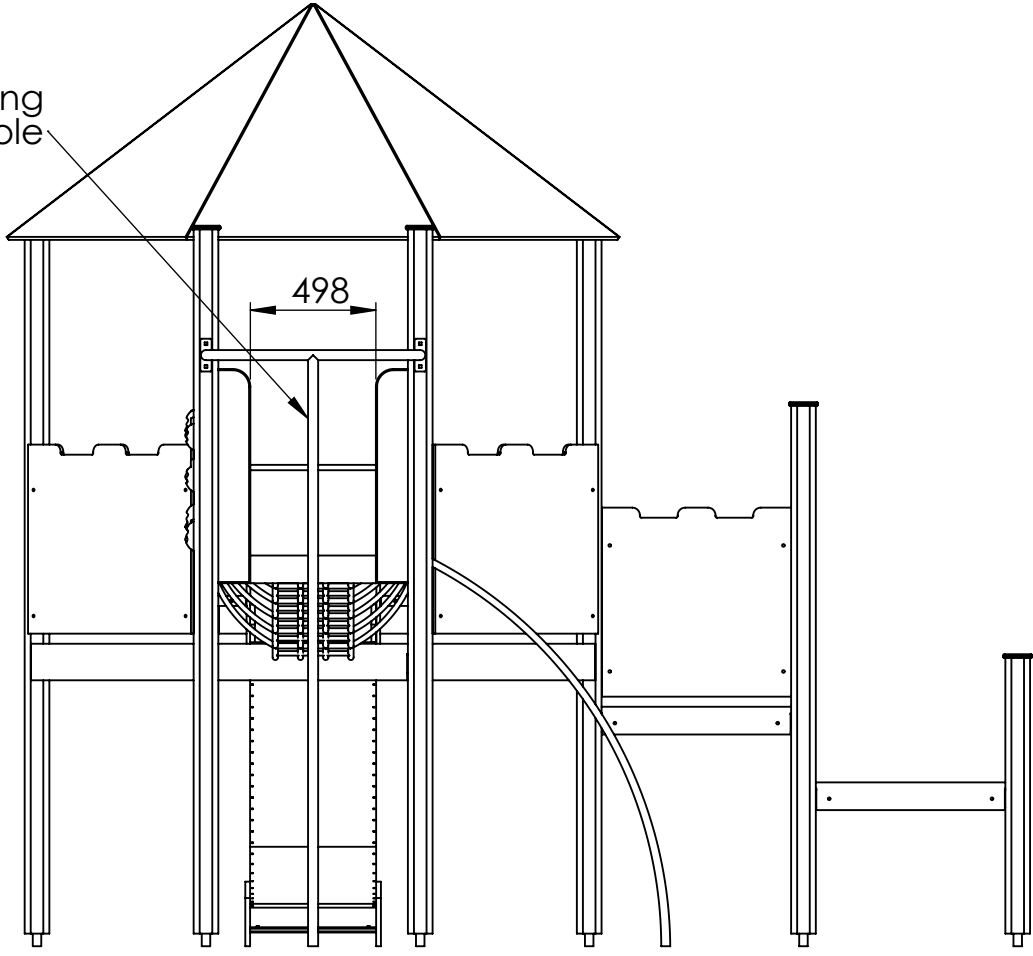
WEIGHT:

SCALE: 1:15

SHEET 8 OF 10

climbing pole

498



UNLESS OTHERWISE SPECIFIED:
DIMENSIONS ARE IN MILLIMETERS
WEIGHT ARE IN KILOGRAMM

PART NUMBER / DWG NO.:

LM220

	NAME	SIGNATURE	DATE	REVISION
DRAWN	M.Rebase		27.04.2012	
APPV'D				

DESCRIPTION:

Play Centre HERMANN



Tiptaptap OÜ

Tiptaptap OÜ
Veetorni 9,
Jüri alevik, Rae vald,
75301 Harjumaa

MATERIAL:

wood, plywood, metal, plastic

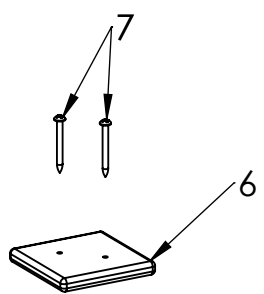
A4

WEIGHT:

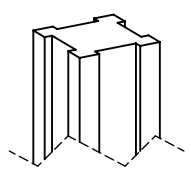
SCALE: 1:30

SHEET 9 OF 10

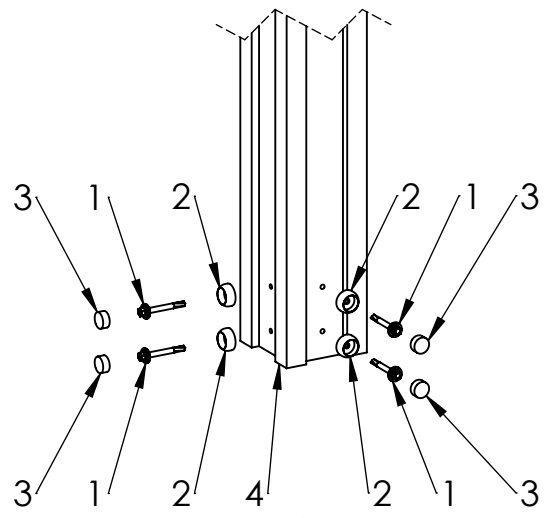
A



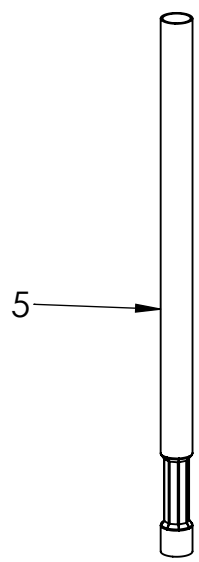
B



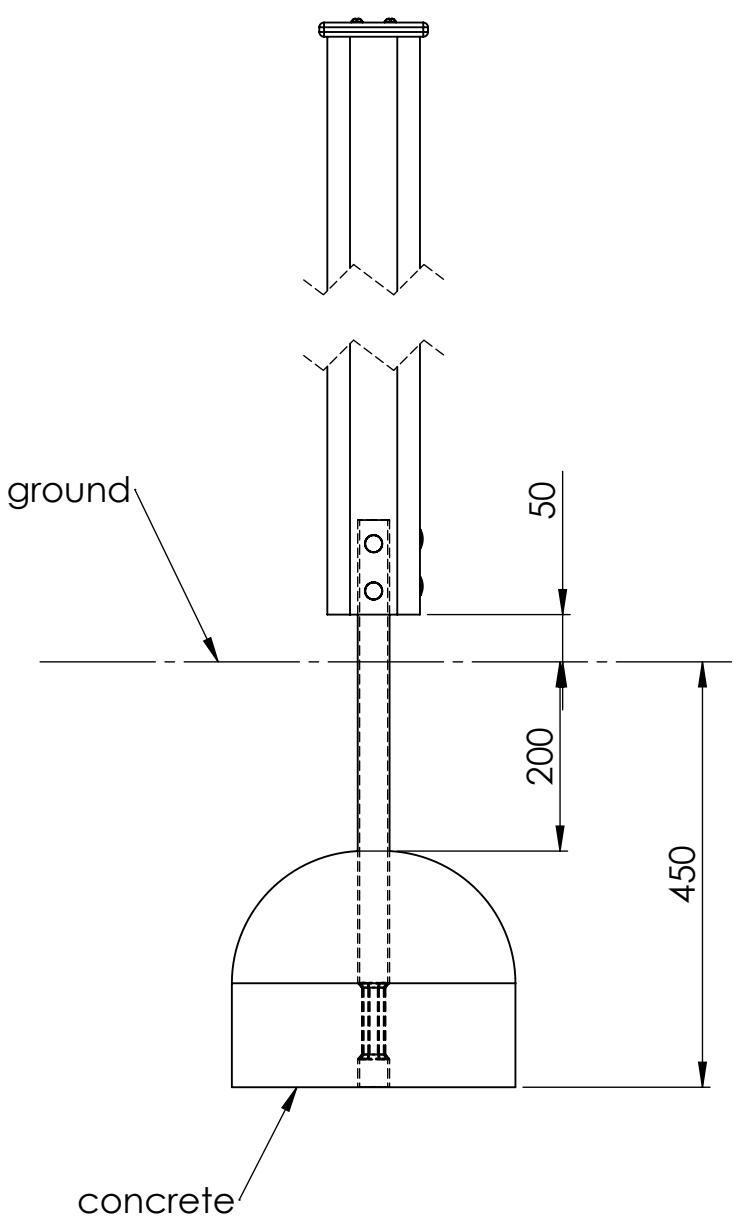
C



D



E



ITEM NO.	PART NUMBER
1	screw DIN7504K 5,5x50
2	nut cover M6
3	nut cover cap M6
4	post 98x98
5	metal ground fixing
6	plastic cap 115x115
7	screw DIN7996 6x60

UNLESS OTHERWISE SPECIFIED:
 DIMENSIONS ARE IN MILLIMETERS
 WEIGHT ARE IN KILOGRAMM

PART NUMBER / DWG NO.:
LM220

	NAME	SIGNATURE	DATE	REVISION
DRAWN	M.Rebase		27.04.2012	
APPV'D				

DESCRIPTION:
**Play Centre HERMANN
 connecting metal ground fixing to post**

F



Tiptaptap OÜ

Tiptaptap OÜ
 Veetorni 9,
 Jüri alevik, Rae vald,
 75301 Harjumaa

MATERIAL: wood, plywood, metal, plastic	A4
WEIGHT:	SCALE: 1:8
	SHEET 10 OF 10