

A

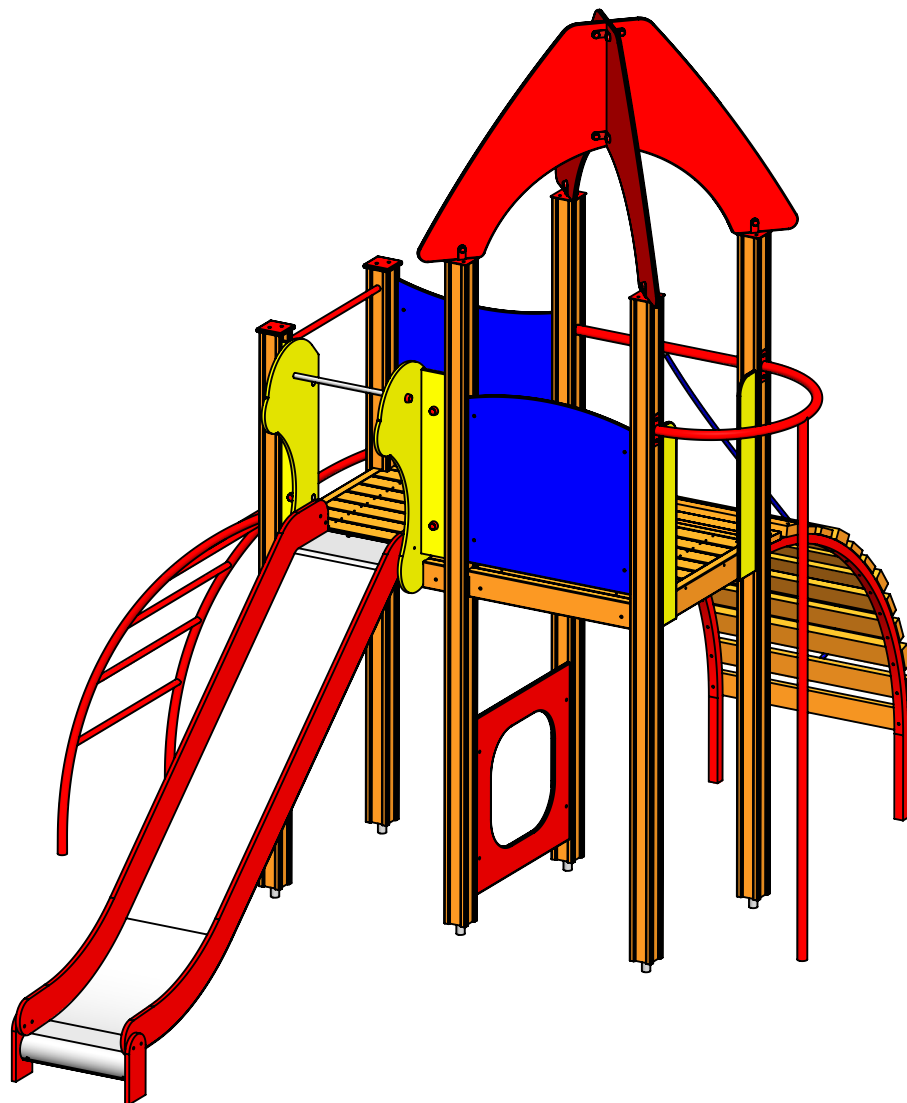
B

C

D

E

F



UNLESS OTHERWISE SPECIFIED:
DIMENSIONS ARE IN MILLIMETERS
WEIGHT ARE IN KILOGRAMM

PART NUMBER / DWG NO.:

LM219

	NAME	SIGNATURE	DATE	REVISION
DRAWN	M.Rebase		03.06.2014	
APPV'D				

DESCRIPTION:

Play Centre CONRAD



Tiptaptap OÜ

Tiptaptap OÜ
Veetorni 9,
Jüri alevik, Rae vald,
75301 Harjumaa

MATERIAL:

wood, metal, plastic

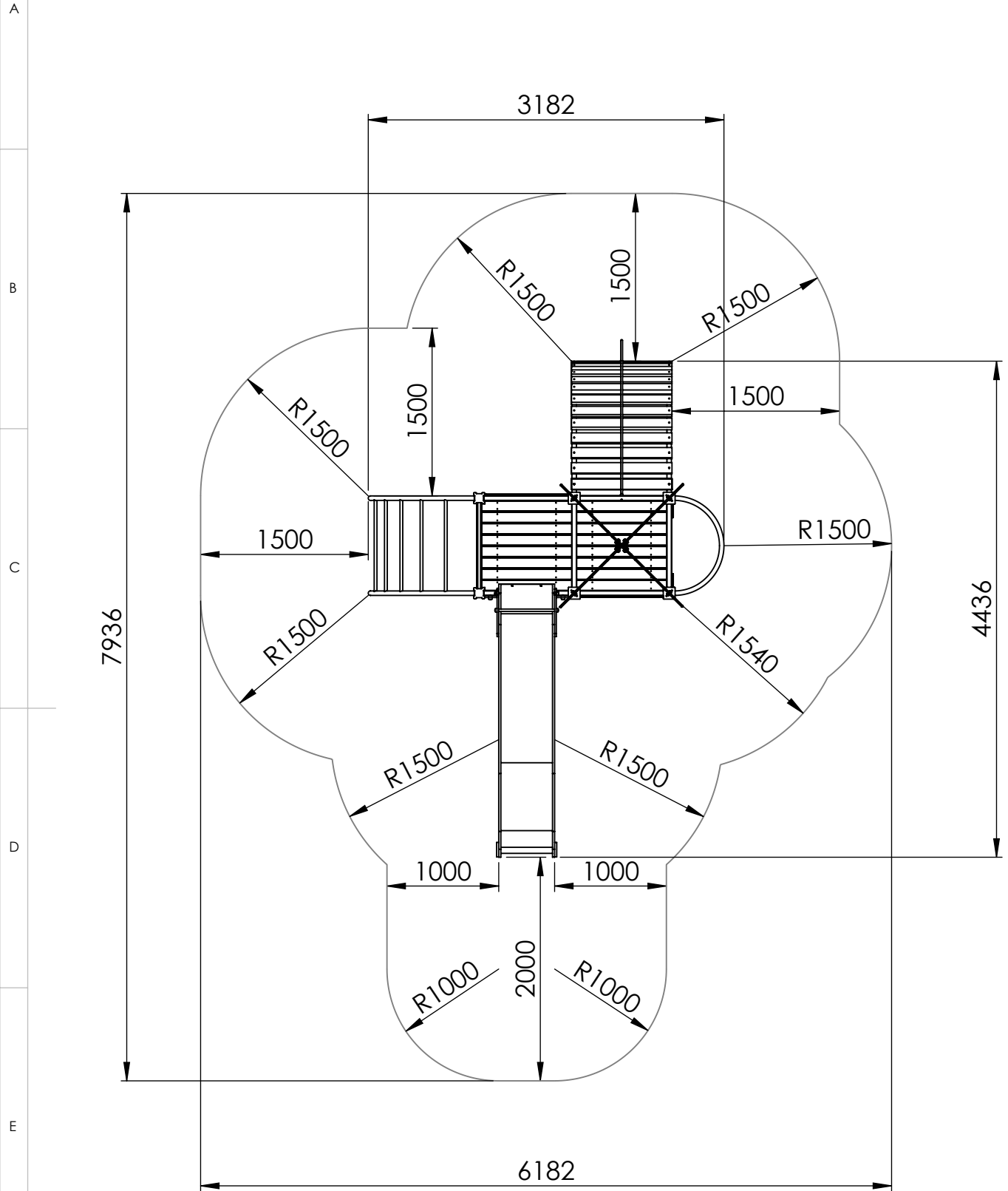
A4

WEIGHT:

SCALE: 1:30

SHEET 1 OF 16

safety area



UNLESS OTHERWISE SPECIFIED:
DIMENSIONS ARE IN MILLIMETERS
WEIGHT ARE IN KILOGRAMM

PART NUMBER / DWG NO.:

LM219

	NAME	SIGNATURE	DATE	REVISION
DRAWN	M.Rebase		03.06.2014	
APPV'D				

DESCRIPTION:

Play Centre CONRAD



Tiptaptap OÜ

Tiptaptap OÜ
Veetorni 9,
Jüri alevik, Rae vald,
75301 Harjumaa

MATERIAL:

wood, metal, plastic

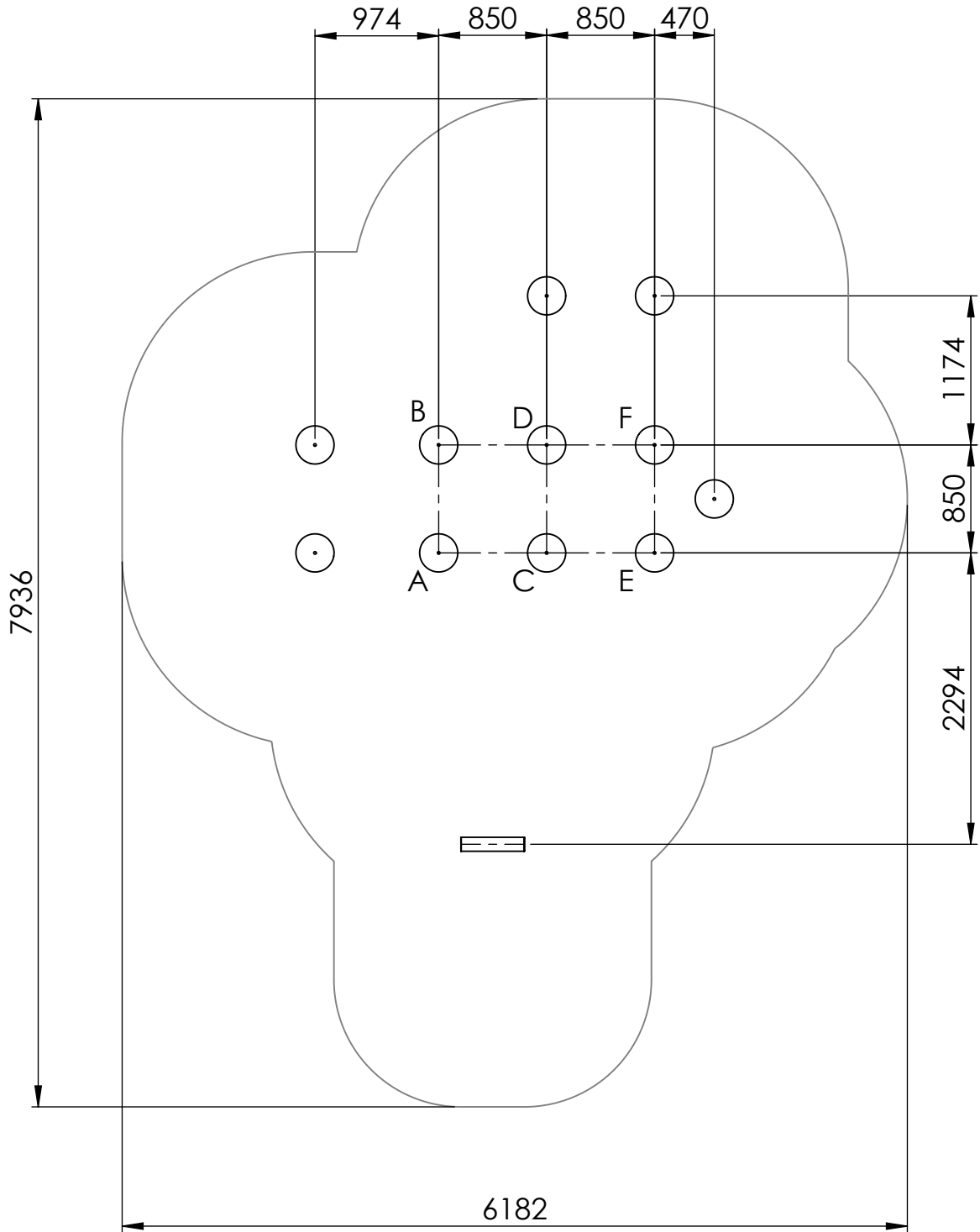
A4

WEIGHT:

SCALE: 1:50

SHEET 2 OF 16

foundation



depth of foundation 500mm

UNLESS OTHERWISE SPECIFIED:
DIMENSIONS ARE IN MILLIMETERS
WEIGHT ARE IN KILOGRAMM

PART NUMBER / DWG NO.:

LM219

	NAME	SIGNATURE	DATE	REVISION
DRAWN	M.Rebase		03.06.2014	
APPV'D				

DESCRIPTION:

Play Centre CONRAD



Tiptaptap OÜ

Tiptaptap OÜ
Veetorni 9,
Jüri alevik, Rae vald,
75301 Harjumaa

MATERIAL:

wood, metal, plastic

A4

WEIGHT:

SCALE: 1:50

SHEET 3 OF 16

A

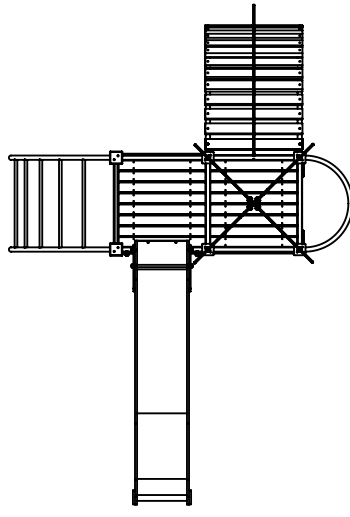
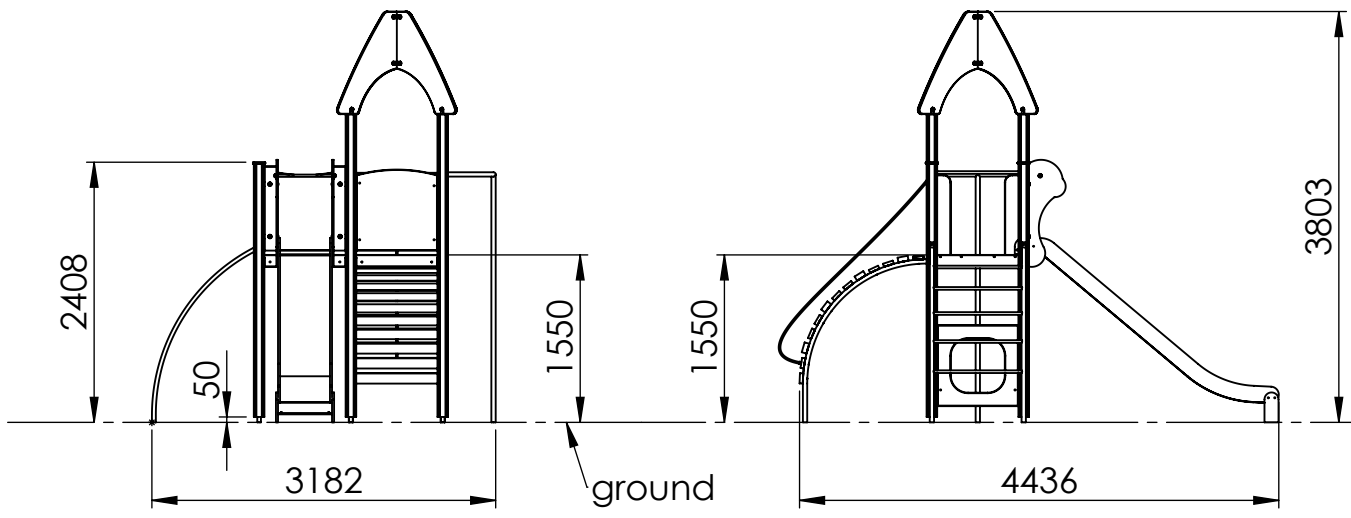
B

C

D

E

F



UNLESS OTHERWISE SPECIFIED:
DIMENSIONS ARE IN MILLIMETERS
WEIGHT ARE IN KILOGRAMM

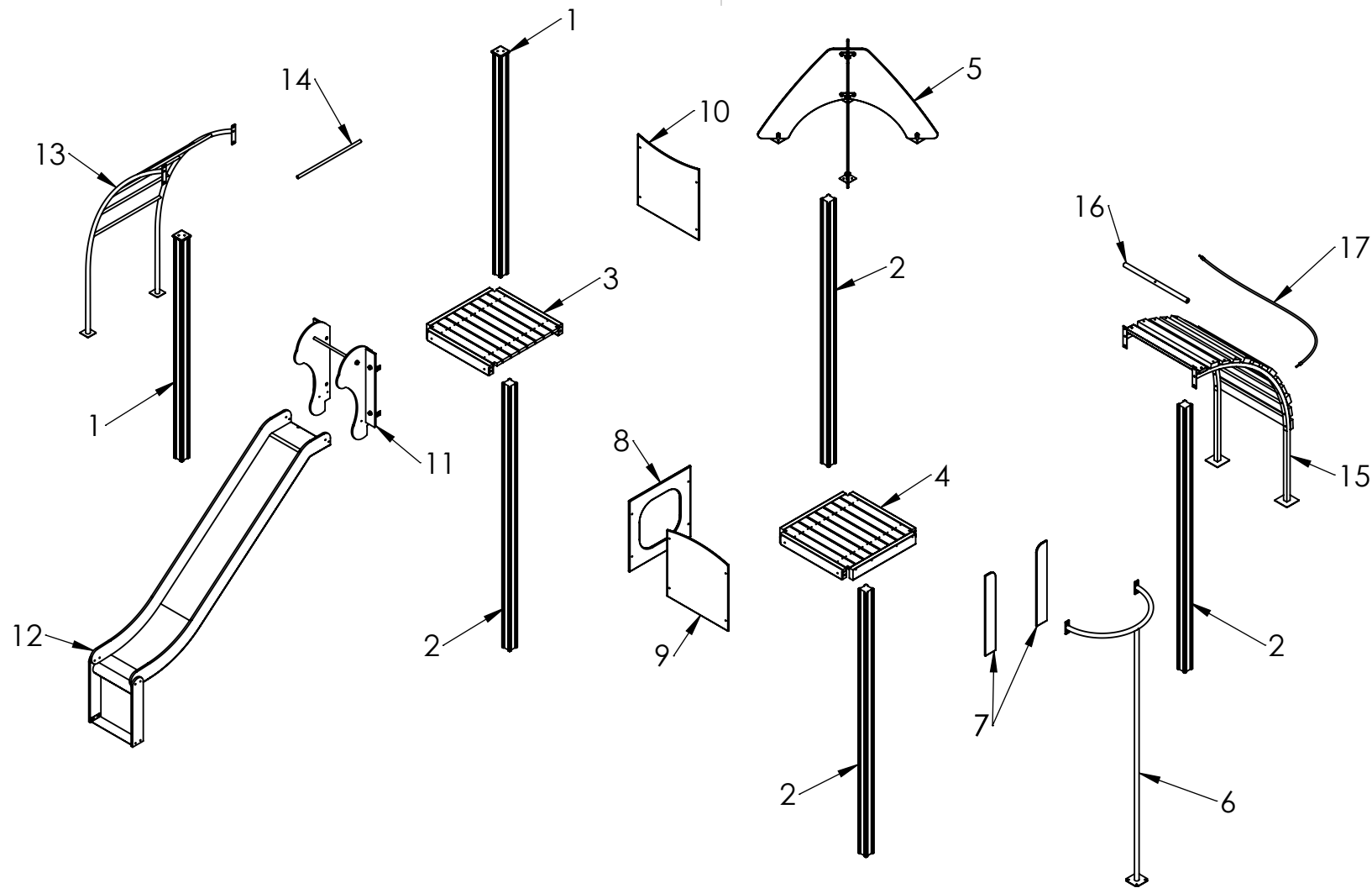
	NAME	SIGNATURE	DATE	REVISION
DRAWN	M.Rebase		03.06.2014	
APPV'D				

PART NUMBER / DWG NO.:	LM219
DESCRIPTION:	Play Centre CONRAD



Tiptiptap OÜ
Veetorni 9,
Jüri alevik, Rae vald,
75301 Harjumaa

MATERIAL:	wood, metal, plastic	A4
WEIGHT:	SCALE: 1:70	SHEET 4 OF 16



UNLESS OTHERWISE SPECIFIED:
 DIMENSIONS ARE IN MILLIMETERS
 WEIGHT ARE IN KILOGRAMM

PART NUMBER / DWG NO.:
LM219

	NAME	SIGNATURE	DATE	REVISION
DRAWN	M.Rebase		03.06.2014	
APPV'D				

DESCRIPTION:
Play Centre CONRAD



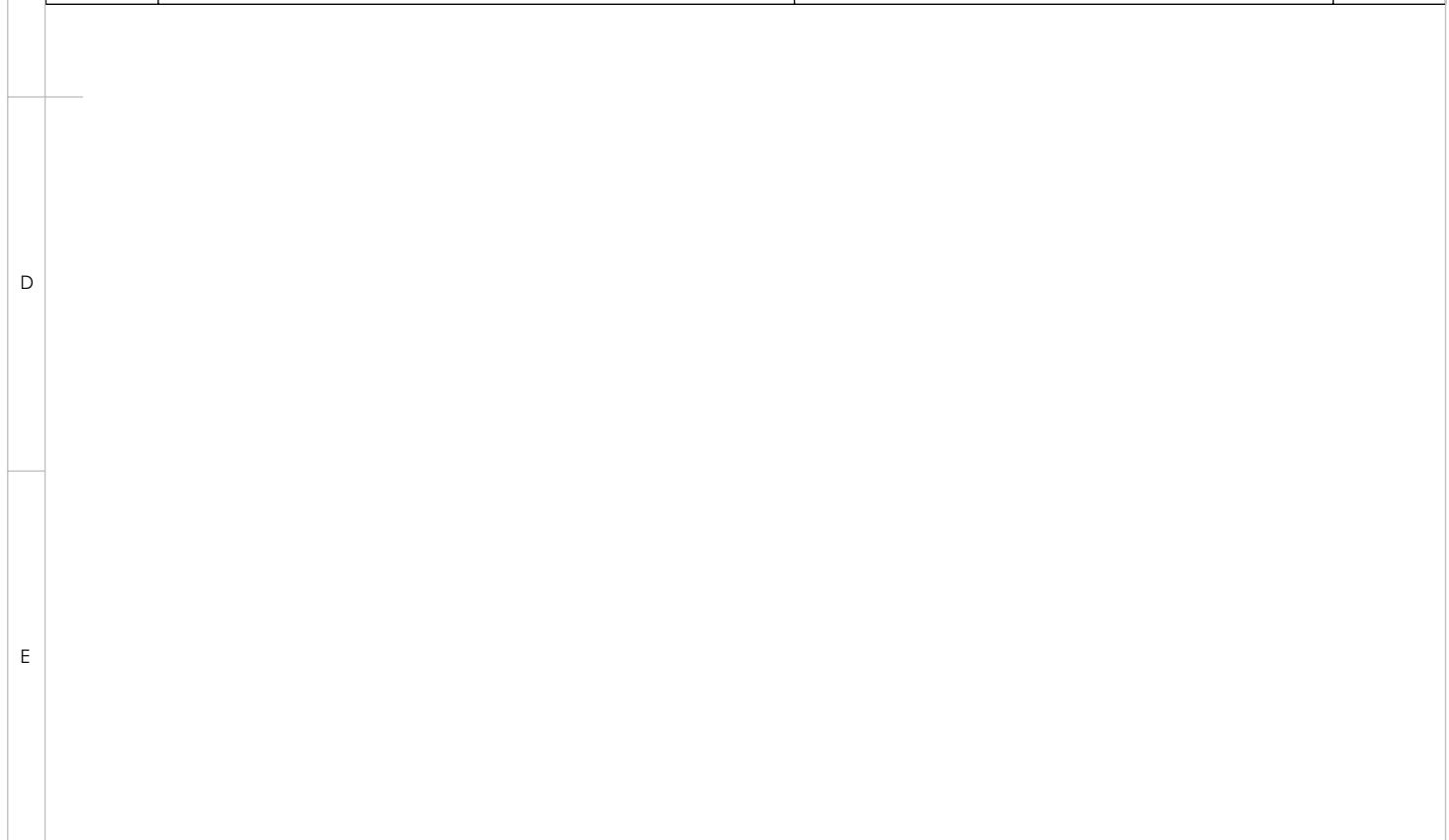
Tiptaptap OÜ
 Tiptaptap OÜ
 Veetorni 9,
 Jüri alevik, Rae vald,
 75301 Harjumaa

MATERIAL: wood, metal, plastic

A4

WEIGHT: SCALE: 1:55 SHEET 5 OF 16

ITEM NO.	PART NUMBER	DESCRIPTION	QTY.
1	post 98x98x2350	laminated wood	2
2	post 98x98x2800	laminated wood	4
3	platform without side board	laminated wood, metal	1
4	platform	laminated wood, metal	1
5	roof	PE plastic	1
6	climbing pole	painted steel	1
7	panel 850x126	plywood	2
8	panel 750x750 with hole	plywood	1
9	panel 750x750	plywood	1
10	panel 750x750	plywood	1
11	slide guard block	plywood, metal, plastic	1
12	slide h_1550	stainless steel, PE plastic	1
13	arch ladder	galvanized painted steel	1
14	guardrail ϕ 25x770	painted steel	1
15	curved ramp	laminated wood, metal	1
16	guardrail d.40x770 with 1 hole	painted steel	1
17	rope for ramp	PP covered steel wire	1



UNLESS OTHERWISE SPECIFIED: DIMENSIONS ARE IN MILLIMETERS WEIGHT ARE IN KILOGRAMM				
	NAME	SIGNATURE	DATE	REVISION
DRAWN	M.Rebase		03.06.2014	
APPV'D				

PART NUMBER / DWG NO.:		LM219	
DESCRIPTION:			
Play Centre CONRAD			



Tiptiptap OÜ
 Veetorni 9,
 Jüri alevik, Rae vald,
 75301 Harjumaa

MATERIAL:	wood, metal, plastic	A4
WEIGHT:	SCALE: 1:55	SHEET 6 OF 16

A

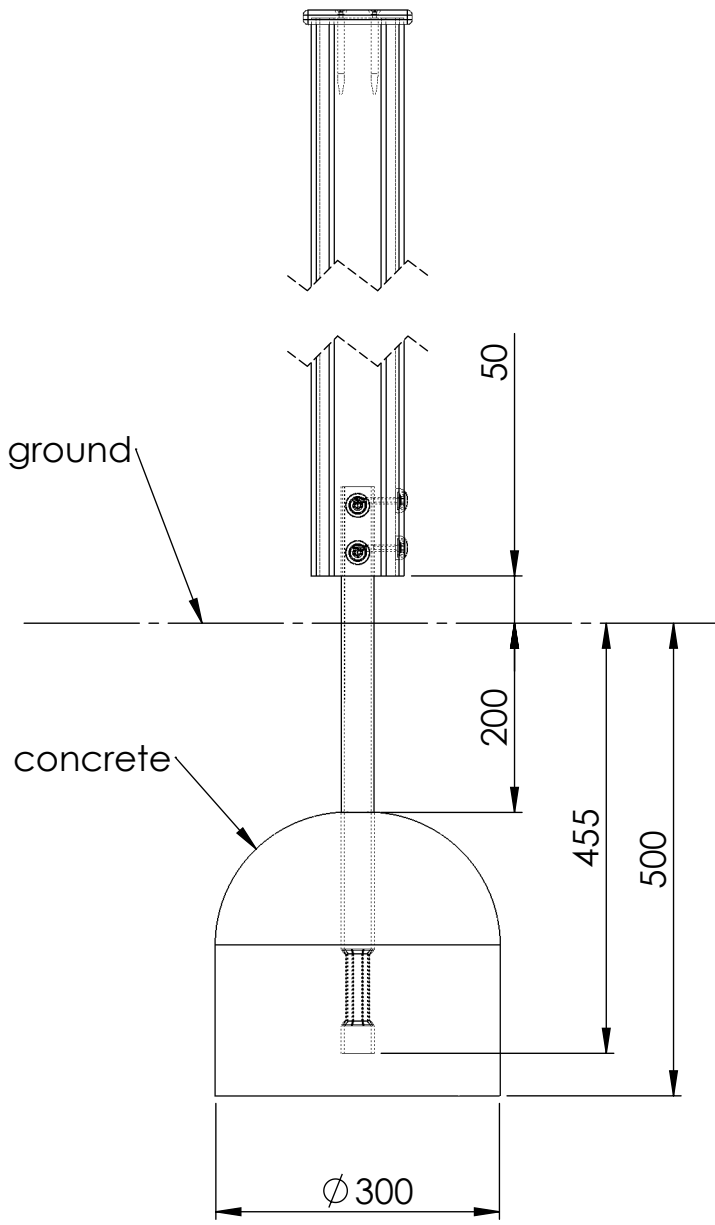
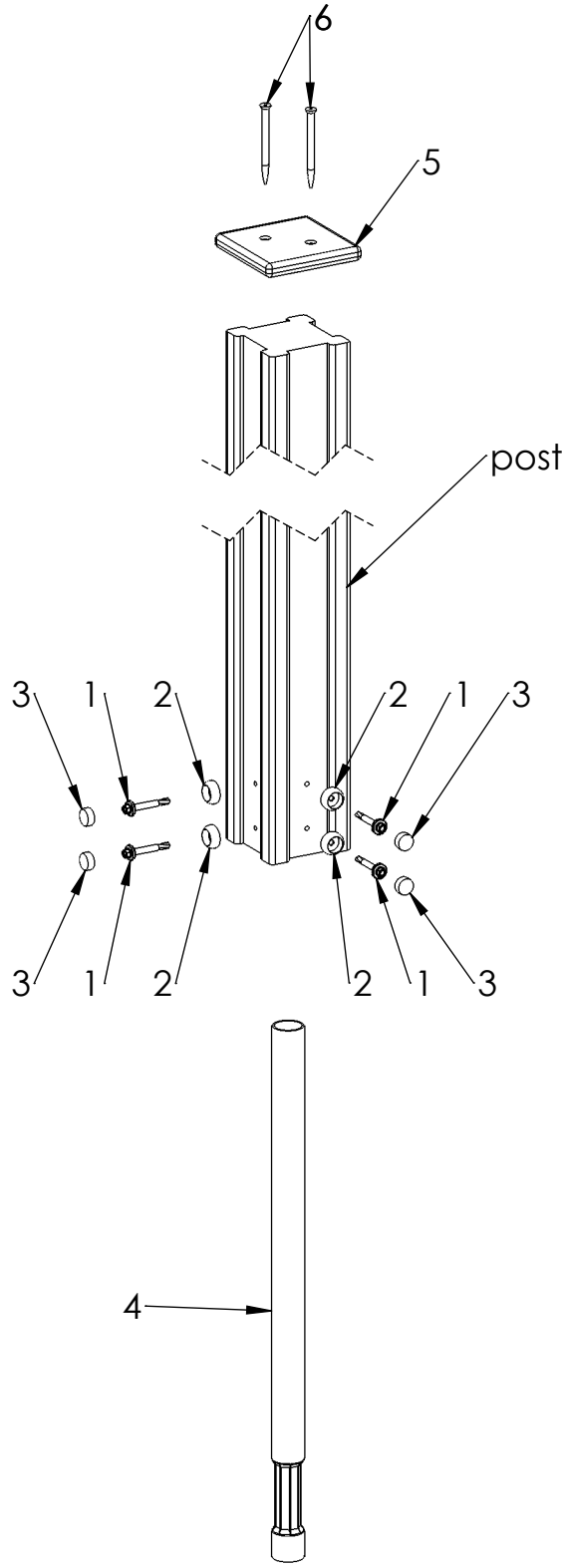
B

C

D

E

F



ITEM NO.	PART NUMBER
1	screw DIN7504K 5,5x50
2	nut cover M6
3	nut cover cap M6
4	metal ground fixing L_600
5	plastic cap 115x115
6	woodscrew 6 x 90

UNLESS OTHERWISE SPECIFIED:
DIMENSIONS ARE IN MILLIMETERS
WEIGHT ARE IN KILOGRAMM

NAME	SIGNATURE	DATE	REVISION
DRAWN M.Rebase		03.06.2014	
APPV'D			

PART NUMBER / DWG NO.:
LM219

DESCRIPTION:
**Play Centre CONRAD
connecting metal ground fixing to post**



Tiptiptap OÜ

Tiptiptap OÜ
Veetorni 9,
Jüri alevik, Rae vald,
75301 Harjumaa

MATERIAL: wood, metal, plastic	A4
WEIGHT:	SCALE: 1:8
	SHEET 7 OF 16

A

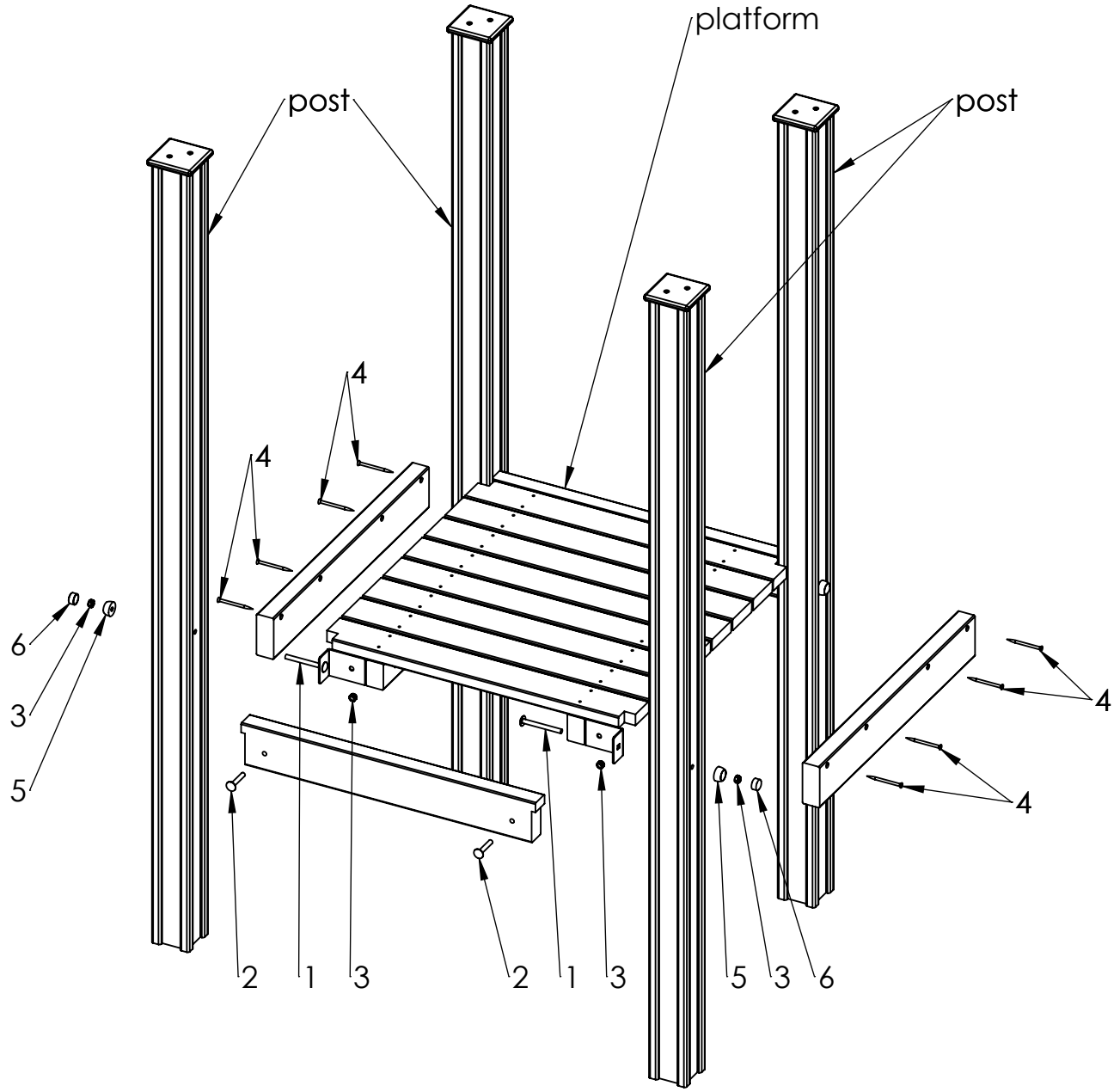
B

C

D

E

F



ITEM NO.	PART NUMBER
1	bolt DIN603 M10x100
2	bolt DIN603 M10x60
3	nut DIN985 M10
4	woodscrew 6 x 90
5	nut cover M10
6	nut cover cap M10

UNLESS OTHERWISE SPECIFIED:
DIMENSIONS ARE IN MILLIMETERS
WEIGHT ARE IN KILOGRAMM

NAME	SIGNATURE	DATE	REVISION
DRAWN M.Rebase		03.06.2014	
APPV'D			

PART NUMBER / DWG NO.:	LM219
DESCRIPTION:	Play Centre CONRAD connecting platform to post



Tiptiptap OÜ
Veetorni 9,
Jüri alevik, Rae vald,
75301 Harjumaa

MATERIAL:	wood, metal, plastic	A4
WEIGHT:	SCALE: 1:15	SHEET 8 OF 16

A

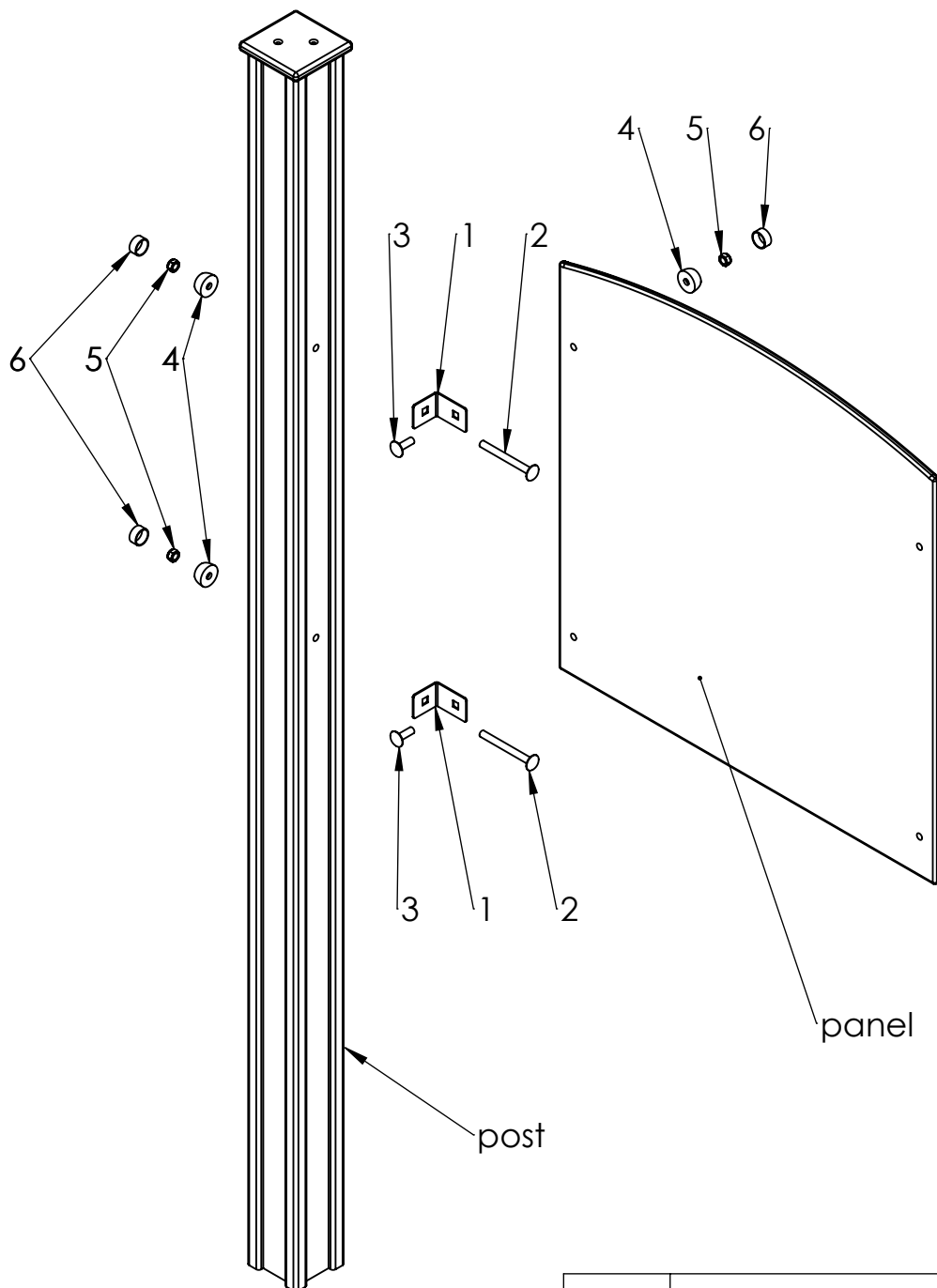
B

C

D

E

F



ITEM NO.	PART NUMBER
1	corner 48x60
2	bolt DIN603 M10x100
3	bolt DIN603 M10x30
4	nut cover M10
5	nut DIN985 M10
6	nut cover cap M10

UNLESS OTHERWISE SPECIFIED:
DIMENSIONS ARE IN MILLIMETERS
WEIGHT ARE IN KILOGRAMM

PART NUMBER / DWG NO.:

LM219

	NAME	SIGNATURE	DATE	REVISION
DRAWN	M.Rebase		03.06.2014	
APPV'D				

DESCRIPTION:

Play Centre CONRAD
connecting panel to post

MATERIAL:

wood, metal, plastic

A4

WEIGHT:

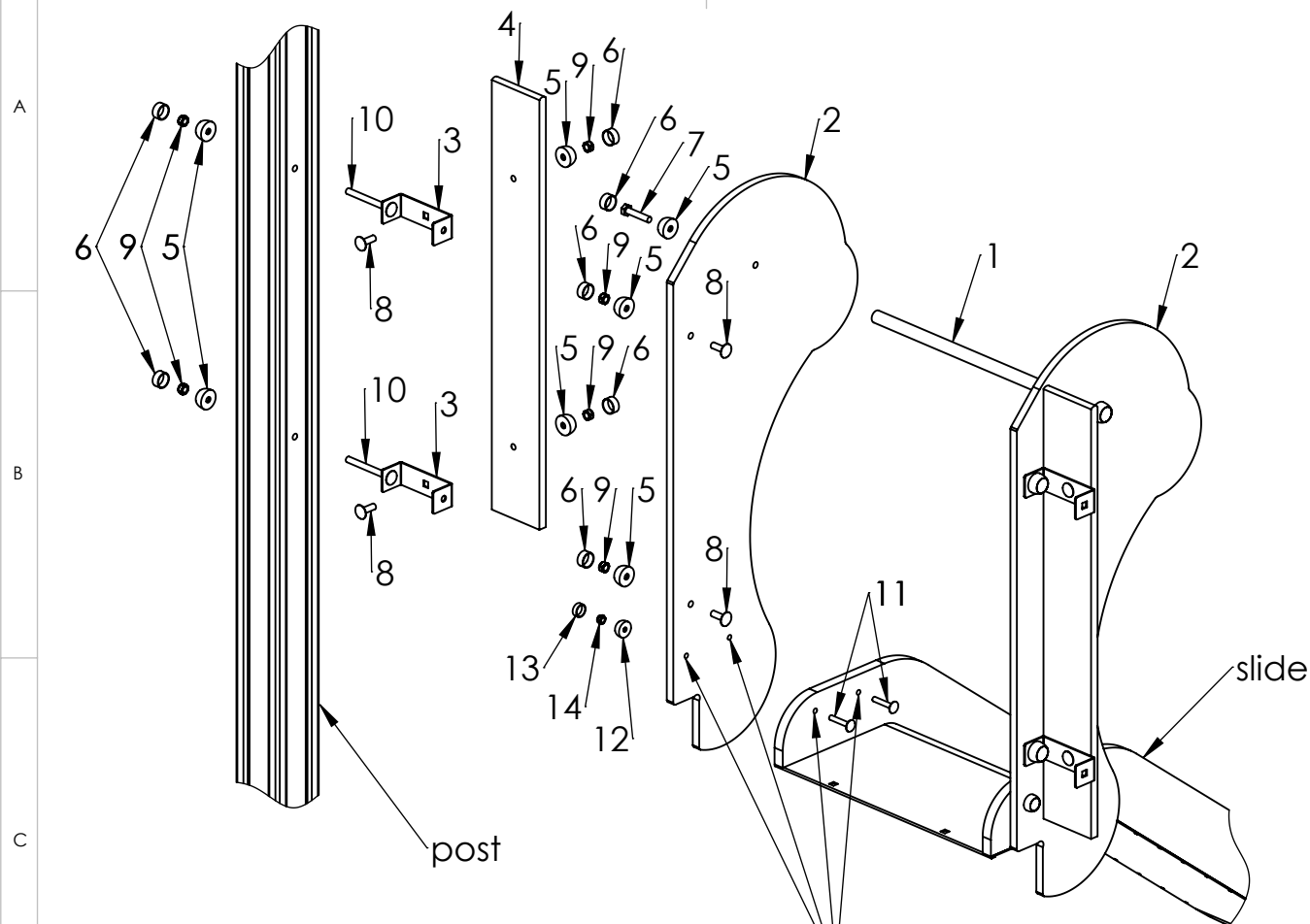
SCALE: 1:10

SHEET 9 OF 16



Tiptap OÜ

Tiptap OÜ
Veetorni 9,
Jüri alevik, Rae vald,
75301 Harjumaa



It is important to drill 8,5mm holes through side panel and slide.

ITEM NO.	PART NUMBER
1	slide guardrail
2	slide side panel
3	slide side panel fixing 40x120
4	side panel 110x780
5	nut cover M10
6	nut cover cap M10
7	bolt DIN931 M10x50
8	bolt DIN603 M10x30
9	nut DIN985 M10
10	bolt DIN603 M10x100
11	bolt DIN603 M8x45
12	nut cover M8
13	nut cover cap M8
14	nut DIN985 M8

UNLESS OTHERWISE SPECIFIED:
DIMENSIONS ARE IN MILLIMETERS
WEIGHT ARE IN KILOGRAMM

PART NUMBER / DWG NO.:

LM219

	NAME	SIGNATURE	DATE	REVISION
DRAWN	M.Rebase		03.06.2014	
APPV'D				

DESCRIPTION:

Play Centre CONRAD
connecting slide guard block to post

MATERIAL:

wood, metal, plastic

A4

WEIGHT:

SCALE: 1:12

SHEET 10 OF 16



Tiptap OÜ

Tiptap OÜ
Veetorni 9,
Jüri alevik, Rae vald,
75301 Harjumaa

A

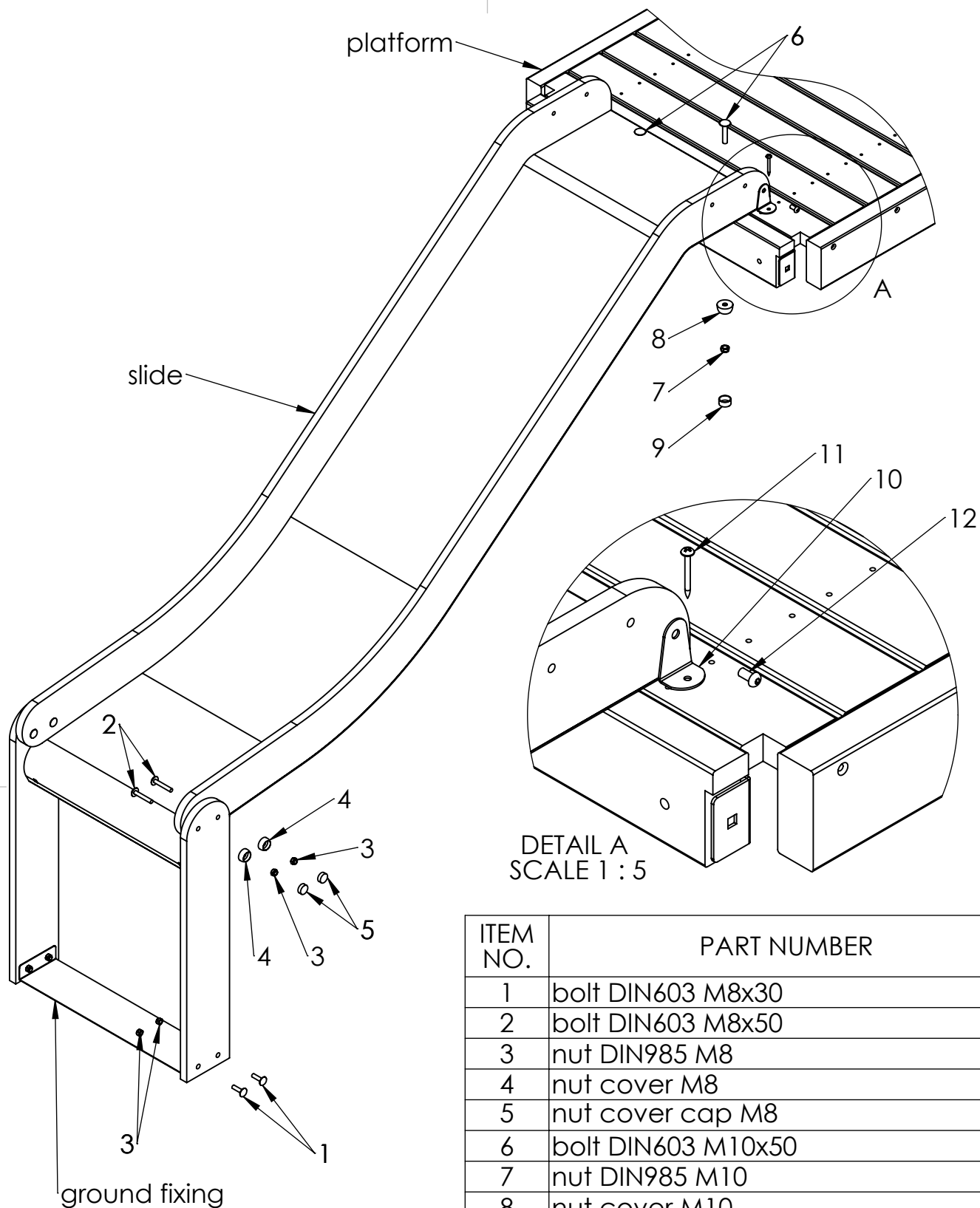
B

C

D

E

F



ITEM NO.	PART NUMBER
1	bolt DIN603 M8x30
2	bolt DIN603 M8x50
3	nut DIN985 M8
4	nut cover M8
5	nut cover cap M8
6	bolt DIN603 M10x50
7	nut DIN985 M10
8	nut cover M10
9	nut cover cap M10
10	corner 58x30
11	screw DIN 7996 d.6x50
12	metal screw DIN 7380 M8x16

UNLESS OTHERWISE SPECIFIED:
DIMENSIONS ARE IN MILLIMETERS
WEIGHT ARE IN KILOGRAMM

	NAME	SIGNATURE	DATE	REVISION
DRAWN	M.Rebase		03.06.2014	
APPV'D				

PART NUMBER / DWG NO.:

LM219

DESCRIPTION:

Play Centre CONRAD
connecting slide to platform

MATERIAL:

wood, metal, plastic

A4

WEIGHT:

SCALE: 1:12

SHEET 11 OF 16



Tiptap OÜ

Tiptap OÜ
Veetorni 9,
Jüri alevik, Rae vald,
75301 Harjumaa

A

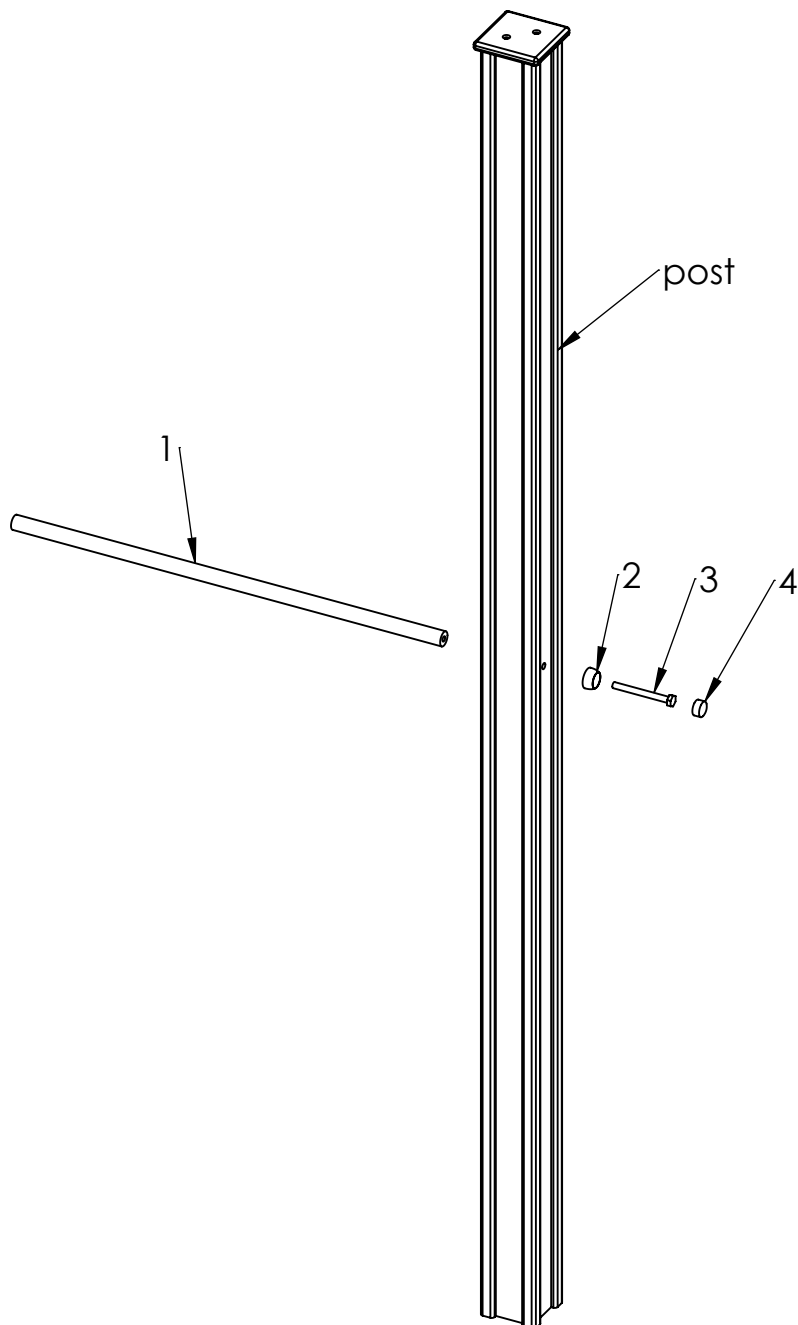
B

C

D

E

F



ITEM NO.	PART NUMBER
1	guardrail ϕ 25x770
2	nut cover M10
3	bolt DIN931 M10x100
4	nut cover cap M10

UNLESS OTHERWISE SPECIFIED:
DIMENSIONS ARE IN MILLIMETERS
WEIGHT ARE IN KILOGRAMM

	NAME	SIGNATURE	DATE	REVISION
DRAWN	M.Rebase		03.06.2014	
APPV'D				

PART NUMBER / DWG NO.:

LM219
connecting guardrail to post

DESCRIPTION:

Play Centre CONRAD

MATERIAL:

wood, metal, plastic

A4

WEIGHT:

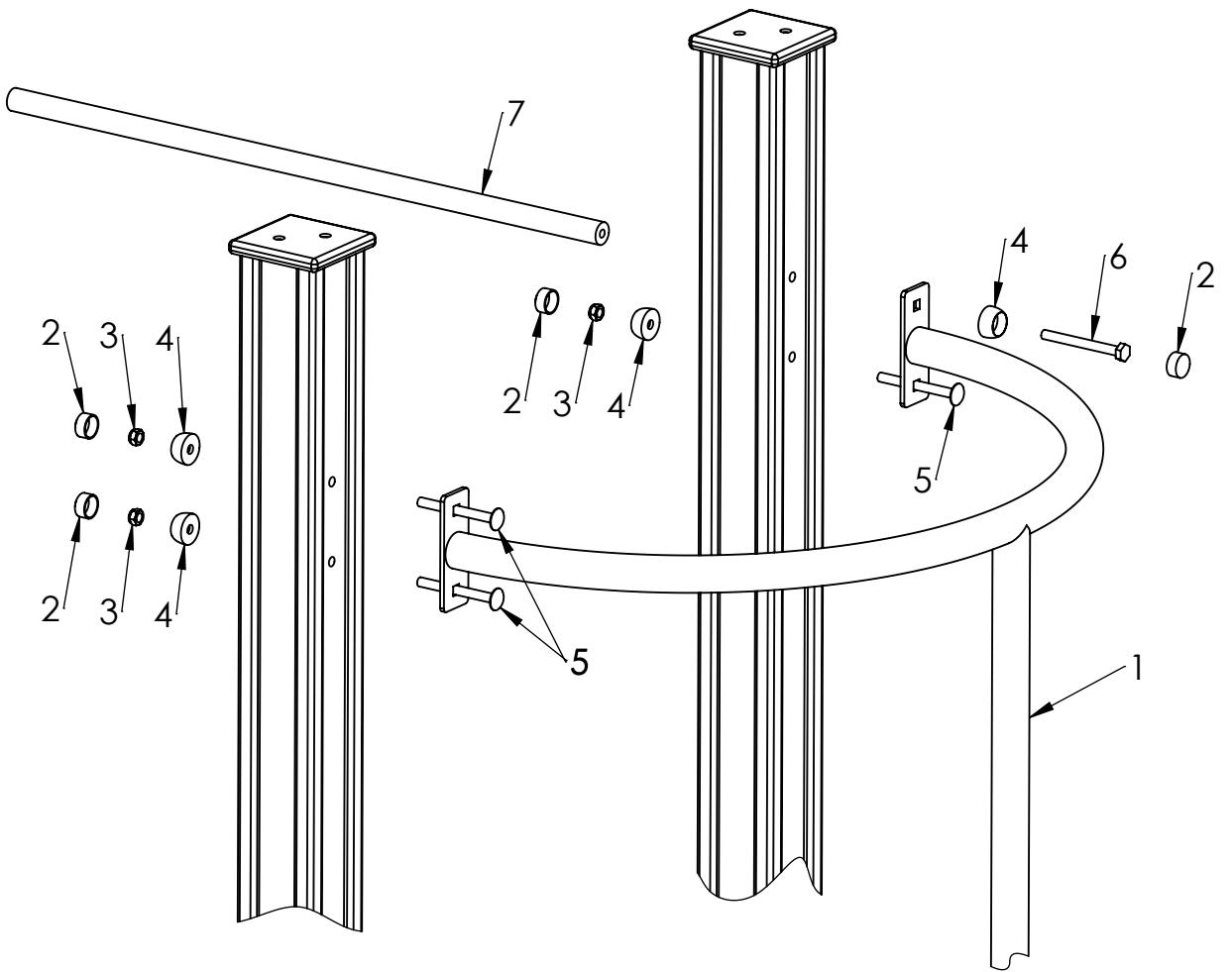
SCALE: 1:12

SHEET 12 OF 16



Tiptaptap OÜ

Tiptaptap OÜ
Veetorni 9,
Jüri alevik, Rae vald,
75301 Harjumaa



ITEM NO.	PART NUMBER
1	climbing pole
2	nut cover cap M10
3	nut DIN985 M10
4	nut cover M10
5	bolt DIN603 M10x100
6	bolt DIN931 M10x100
7	guardrail \varnothing 40x770

UNLESS OTHERWISE SPECIFIED:
DIMENSIONS ARE IN MILLIMETERS
WEIGHT ARE IN KILOGRAMM

PART NUMBER / DWG NO.:

LM219

	NAME	SIGNATURE	DATE	REVISION
DRAWN	M.Rebase		03.06.2014	
APPV'D				

DESCRIPTION:

Play Centre CONRAD

connecting climbing pole and guardrail to post

MATERIAL: wood, metal, plastic

A4

WEIGHT:

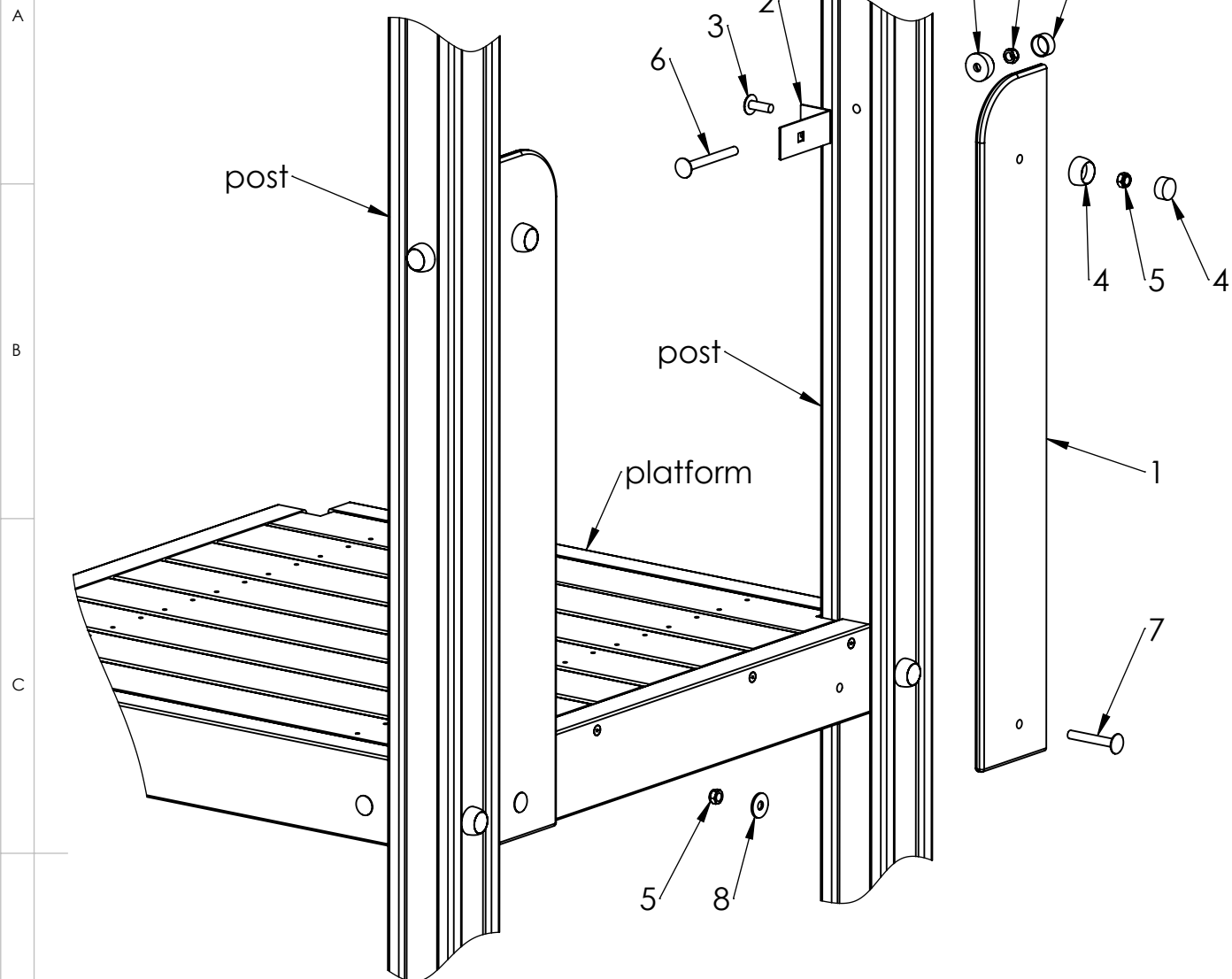
SCALE: 1:8

SHEET 13 OF 16



Tiptaptap OÜ

Tiptaptap OÜ
Veetorni 9,
Jüri alevik, Rae vald,
75301 Harjumaa



ITEM NO.	PART NUMBER
1	panel 850x126
2	slide side panel fixing 40x100
3	bolt DIN603 M10x30
4	nut cover with cap
5	nut DIN985 M10
6	bolt DIN603 M10x100
7	bolt DIN603 M10x70
8	washer M10

UNLESS OTHERWISE SPECIFIED:
DIMENSIONS ARE IN MILLIMETERS
WEIGHT ARE IN KILOGRAMM

	NAME	SIGNATURE	DATE	REVISION
DRAWN	M.Rebase		03.06.2014	
APPV'D				

PART NUMBER / DWG NO.:

LM219

DESCRIPTION:

Play Centre CONRAD
connecting climbing pole side panel to post

MATERIAL:

wood, metal, plastic

A4

WEIGHT:

SCALE: 1:8

SHEET 14 OF 16



Tiptap OÜ

Tiptap OÜ
Veetorni 9,
Jüri alevik, Rae vald,
75301 Harjumaa

A

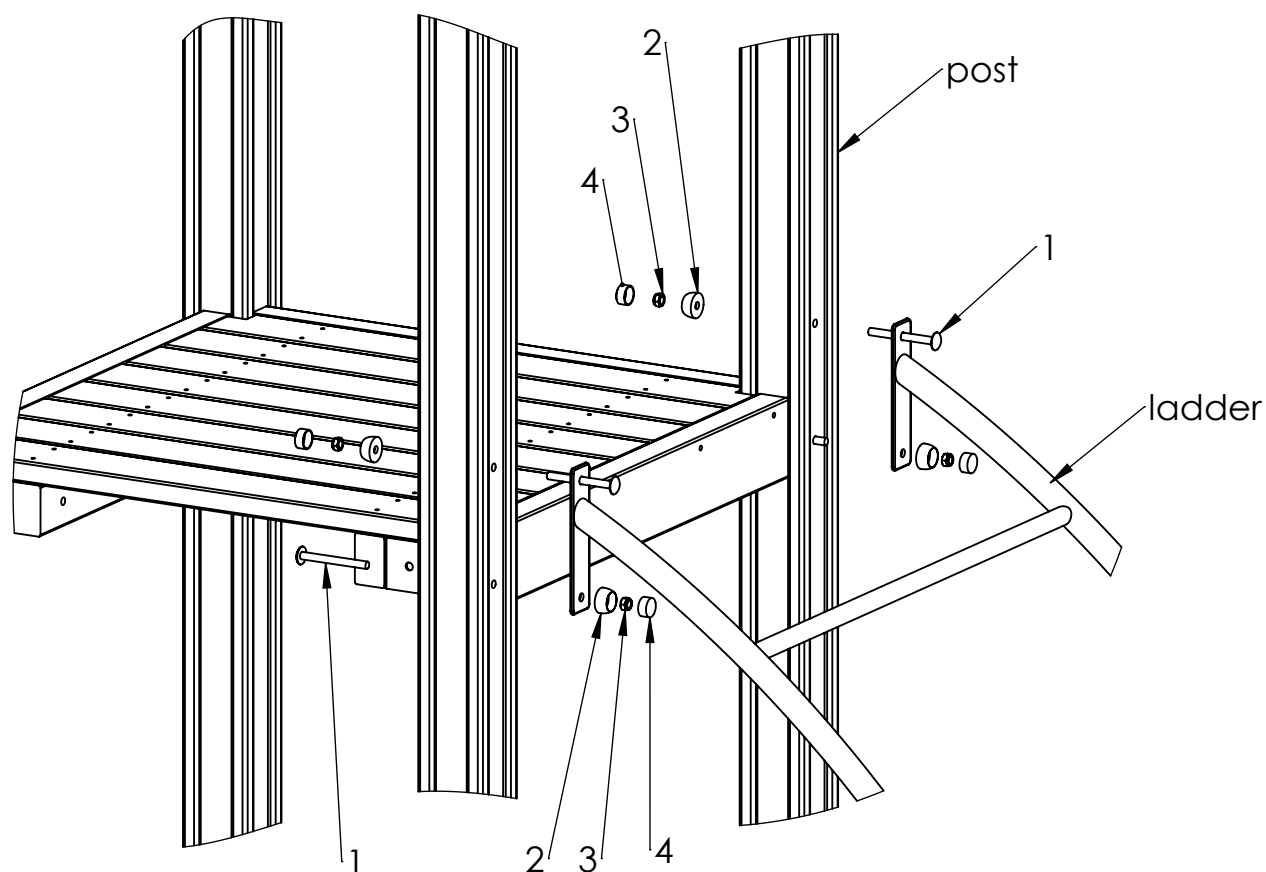
B

C

D

E

F



ITEM NO.	ITEM NAME
1	bolt DIN603 M10x100
2	nut cover
3	nut DIN 985 NYLOC M10
4	nut cover cap

UNLESS OTHERWISE SPECIFIED:
DIMENSIONS ARE IN MILLIMETERS
WEIGHT ARE IN KILOGRAMM

PART NUMBER / DWG NO.:

LM219

	NAME	SIGNATURE	DATE	REVISION
DRAWN	M.Rebase		03.06.2014	
APPV'D				

DESCRIPTION:

Play Centre CONRAD
connecting arch ladder to post

MATERIAL:

wood, metal, plastic

A4

WEIGHT:

SCALE: 1:10

SHEET 15 OF 16

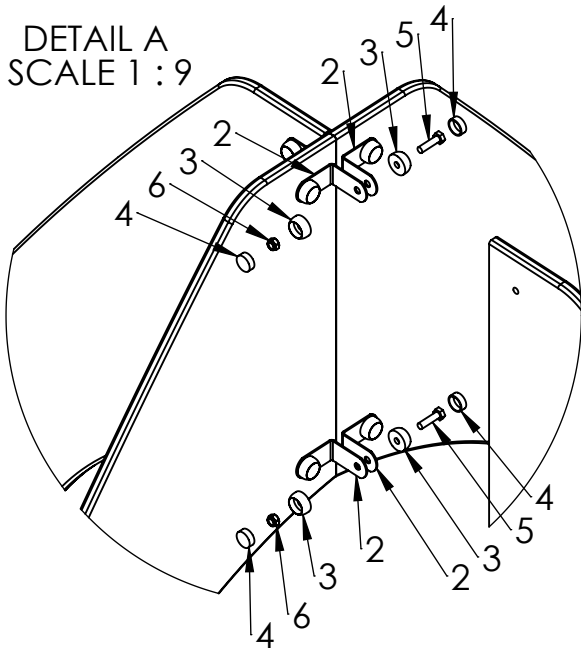


Tiptiptap OÜ

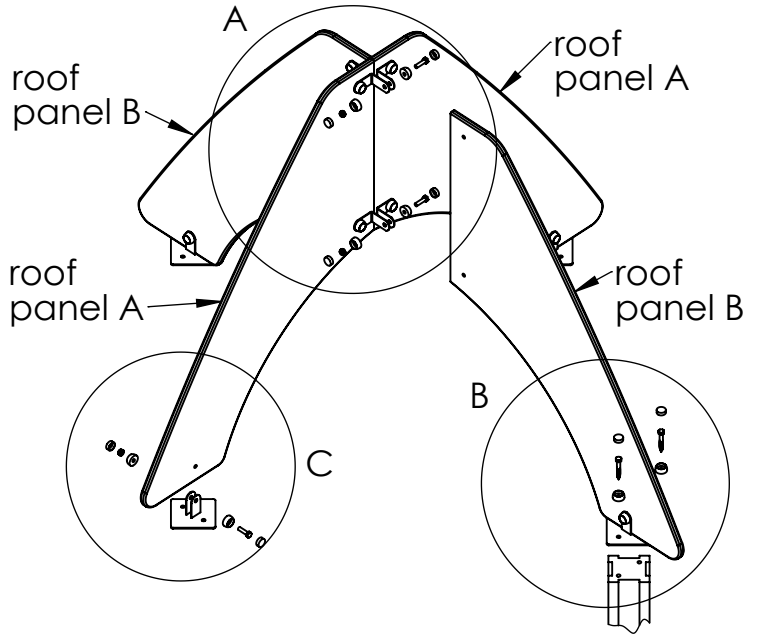
Tiptiptap OÜ
Veetorni 9,
Jüri alevik, Rae vald,
75301 Harjumaa

A

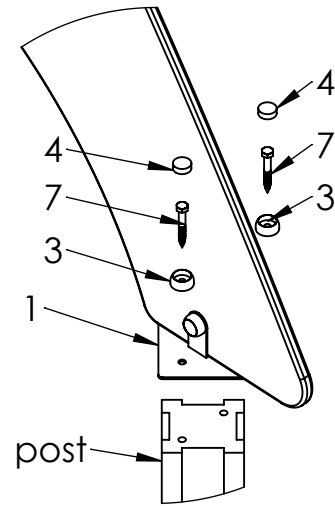
DETAIL A
SCALE 1 : 9



B

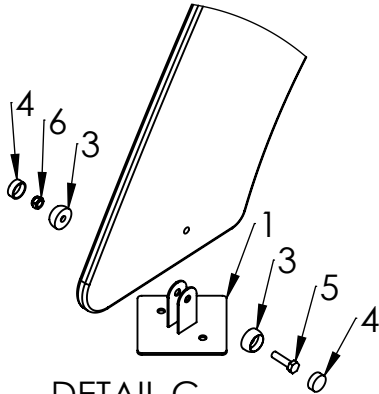


C



DETAIL B
SCALE 1 : 9

D



DETAIL C
SCALE 1 : 9

E

ITEM NO.	PART NUMBER
1	roof fixture
2	corner 60x60
3	nut cover M8
4	nut cover cap M8
5	bolt DIN933 M8x30
6	nut DIN985 M8
7	wood screw DIN571 8x60

F

UNLESS OTHERWISE SPECIFIED:
DIMENSIONS ARE IN MILLIMETERS
WEIGHT ARE IN KILOGRAMM

PART NUMBER / DWG NO.:

LM219

	NAME	SIGNATURE	DATE	REVISION
DRAWN	M.Rebase		03.06.2014	
APPV'D				

DESCRIPTION:

Play Centre CONRAD



Tiptap OÜ

Tiptap OÜ
Veetorni 9,
Jüri alevik, Rae vald,
75301 Harjumaa

MATERIAL:

wood, metal, plastic

A4

WEIGHT:

SCALE: 1:18

SHEET 16 OF 16